

PARTS LIST

MSD41TEC-H

CONTENTS

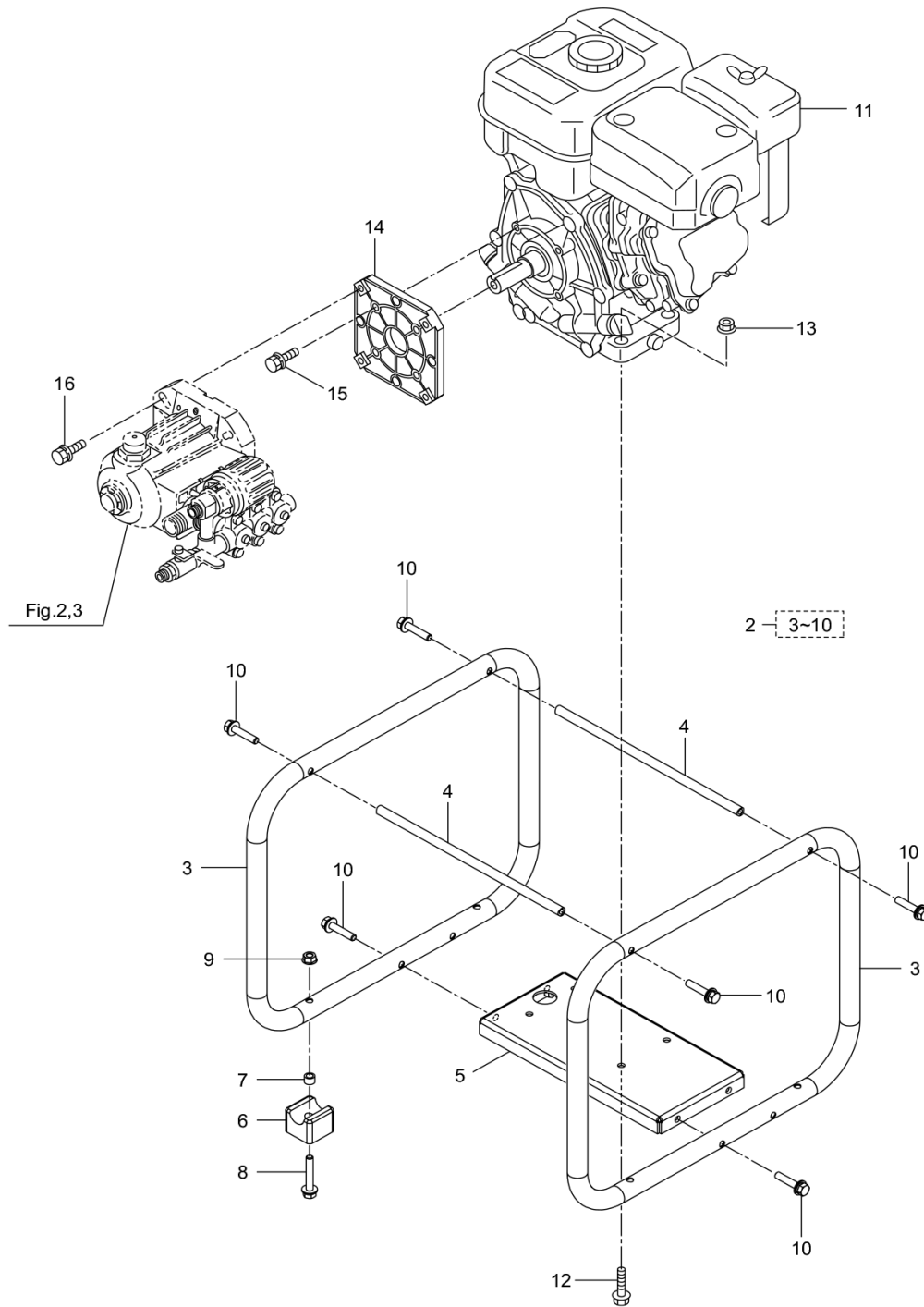
1. MAIN BODY.....	1 ~ 2
2. PUMP.....	3 ~ 4
3. RELIEF VALVE	5 ~ 6
4. ACCESSORIES	7 ~ 8

2019.02.



P/N 524765

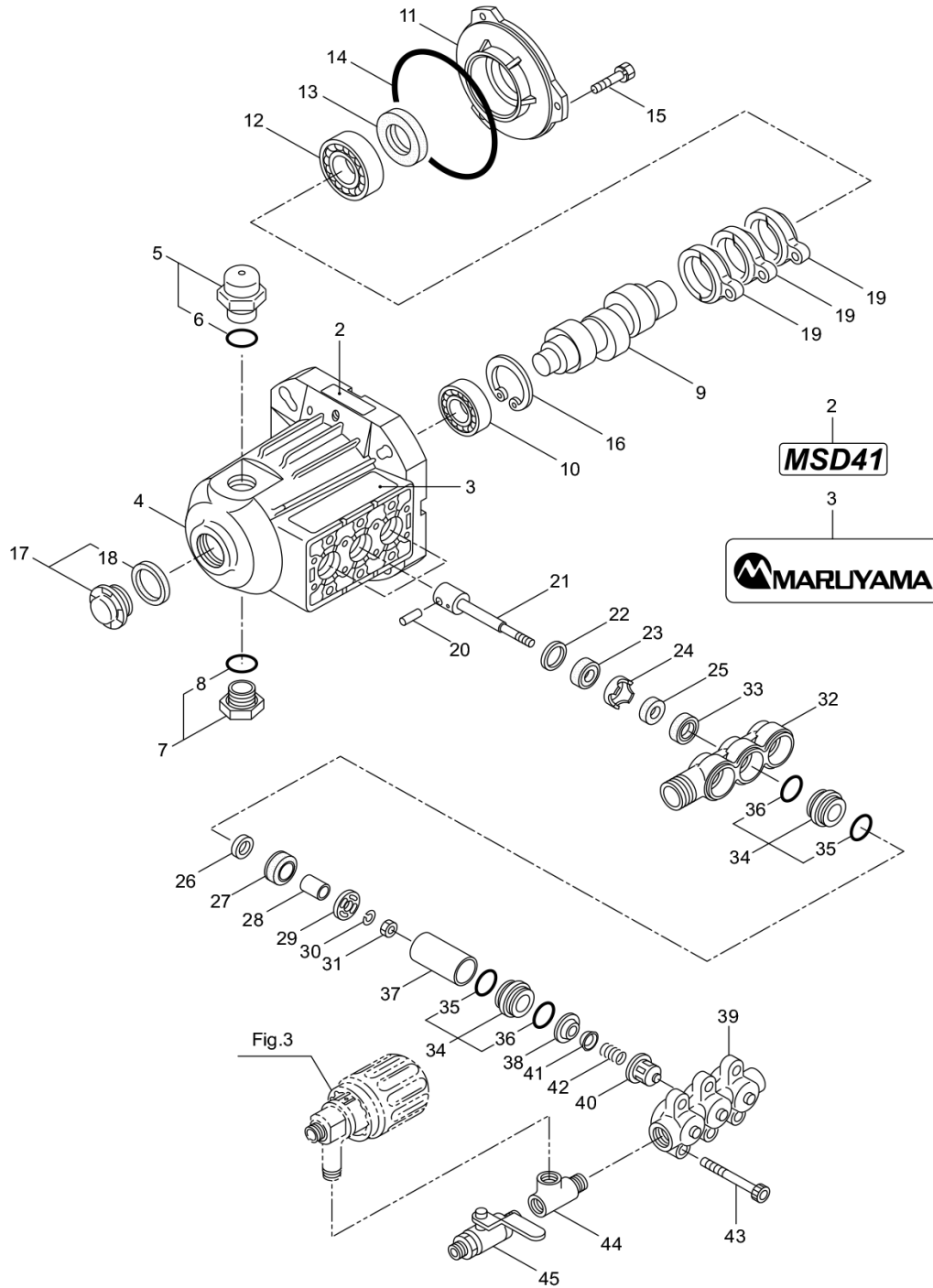
1. MSD41TEC-H MAIN BODY



- 1 -

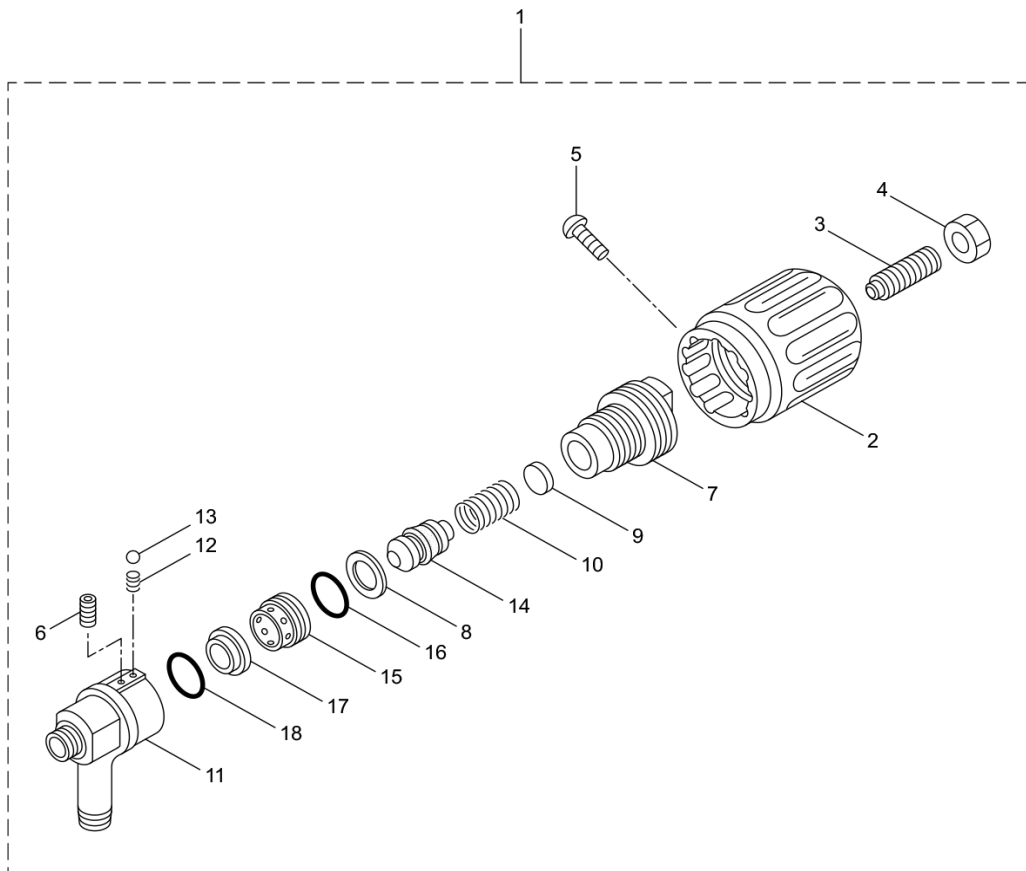
Status	Position	Parts Number	Parts Name	Unit Quantity	Set Unit Quantity	Specification	Remarks	Maker code
	1	366544	MSD41TEC-H(TH)	1				
	2	566714		1			Incl.3-10	
	3	566695		2		D25.4XT1.6		
	4	566696		2		12XT2.5		
	5	566698		1				
	6	566436	ANTIVIB RUBBER	4				
	7	566437	COLLAR	4				
	8	566530	BOLT	4	5	M8X50(M)	M8x50	
	9	566531	HEX FANGE NUT	4	5	M8	M8	
	10	566529		8	5	M8X40(SM)	M8x40	
	11	566194		1		GX160T2 QHT	GX160T2 QHT	
	12	566529		4	5	M8X40(SM)	M8x40	
	13	566531	HEX FANGE NUT	4	5	M8	M8	
	14	566245	FLANGE	1				
	15	566690	BOLT	4		5/16-24UNFX20SM	5/16-24UNFx20	
	16	566415	SCREW	4		3/8-16UNCX35SMK	3/8-16UNCx35SMK	

2. MSD41TEC-H PUMP



Status	Position	Parts Number	Parts Name	Unit Quantity	Set Unit Quantity	Specification	Remarks	Maker code
	1	566738		1			MSD41T	
	2	566346	LABEL	1		MSD41	MSD41	
	3	566347	LABEL	1		マルヤマリコイル		
	4	566224	CRANKCASE	1		N1.0		
	5	566227	CAP OIL FILLER	1			Incl.6	
	6	566348	O-RING	1	5	P20 1ｼｼA	P20	
	7	811174	PLUG ASSY	1			Incl.8	
	8	566348	O-RING	1	5	P20 1ｼｼA	P20	
	9	660972	CRANK SHAFT	1		ミカキコード		
	10	566350	BEARING OUTER 6204	1		#6204	#6204	
	11	566235	CASE BEARING	1				
	12	566351	BEARING INNER 6006	1		#6006	#6006	
	13	566352	OIL SEAL	1		D30428	D30428	
	14	566353	O-RING	1		S100	S100	
	15	566354	SCREW BEARING COVER	3	10	M6X14	M6x14	
	16	566355	RING RETAINING	1		ｱﾅﾖｸ47	H47	
	17	566356	OIL GAUGE	1			Incl.18	
	18	566359	PACKING	1	5	25X34XT2	25x34xt2	
	19	566237	ROD CONNECTING	3		2SF38MM		
	20	566360	PIN ROD	3		9X22	9x22	
	21	566361	ROD PISTON	3				
	22	566366	WASHER	3	5	17X24XT1.2	17x24xt1.2	
	23	566367	OIL SEAL S10 5 24 7	3		S10.5247	S10.5247	
	24	566239	RETAINER SEAL	3	10			
	25	566368	WICK	3	5	10X19X5	10x19x6.5	
	26	566369	MACHINED DISC INLET	3		6.1X20XT2.8	6.1x20xt2.8	
	27	566371	CUP PISTON MACHINED	3		25	25	
	28	566373	SPACER PISTON P/R	3		6X8.5X10.5	6x8.5x10.5	
	29	566374	RETAINER PISTON	3				
	30	566375	WASHER LOCK	3	5	M6 2ｺﾞウ	M6	
	31	566376	NUT NYLON INSERT	3	5	M6	M6	
	32	566377	INLET MANIFOLD	1		G3/4ｲﾝﾁ		
	33	566379	U-PACKING	3				
	34	566381	DISCHARGE ADAPTER ASSY	6			Incl.35,36	
	35	566383	O-RING P21	6	5	P21	P21	
	36	566384	O-RING	6	5	P22	P22	
	37	566385	CYLNDER PIPE	3		25X28.5XL43	25x28.5xL43	
	38	566386	MACHINED TAPERED DISC	3				
	39	566387	MANIFOLD DISCHARGE	1		ｶﾀｶﾞ ﾞｱﾅﾝ		
	40	566240	RETAINER SPRING	3		MODEL310ﾖｸ		
	41	566389	MACHINED DISC DISCHARGE	3		16X1.5	16x1.5	
	42	566391	SPRING	3		0.6-15L		
	43	566392	CAP SCREW	6		M8X110X28	M8x110x28	
	44	566411	TEE	1		PT3/8XPT3/8	RC3/8xR3/8	
	45	833094	ON/OFF LEVER	1		R3/8XG3/8	R3/8xG3/8	

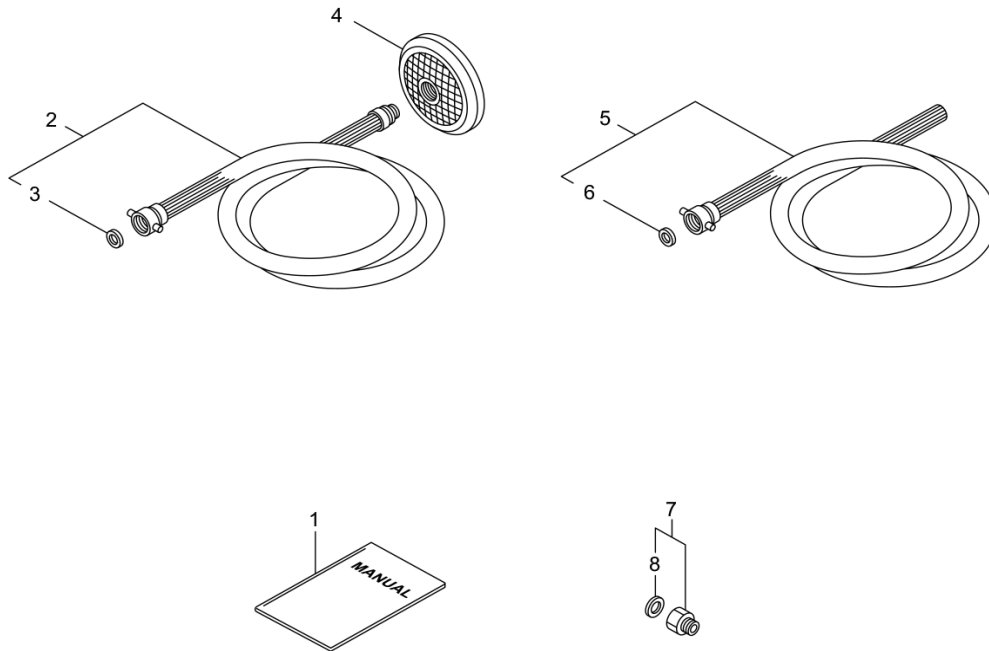
3. MSD41TEC-H
RELIEF VALVE



Status	Position	Parts Number	Parts Name	Unit Quantity	Set Unit Quantity	Specification	Remarks	Maker code
				1				

Status	Position	Parts Number	Parts Name	Unit Quantity	Set Unit Quantity	Specification	Remarks	Maker code
	1	566679	P.R. VALVE ASSY	1			Incl.2-18	
	2	566242	GRIP	1		MS170ヨウ		
	3	566394	SCREW	1		M8X35 六角 ミサキ	M8x35	
	4	566395	NUT	1	5	M8 シュ	M8	
	5	566396	SCREW	2	10	M3XP0.5X5	M3x5	
	6	566397	SCREW	1	5	M4X6 ヒラサキ	M4x6	
	7	566398	GUIDE	1				
	8	566399	WASHER	1	5	16X21X0.7T	16x21xt0.6	
	9	566400	RETAINER	1		15XT2.5	15xt2.5	
	10	566401	SPRING	1		3.0-31L		
	11	566402	BODY	1				
	12	566403	SPRING	1		0.6-7L		
	13	566404	BALL	1		5/32	5/32	
	14	566658	PISTON ASSY	1				
	15	566408	SLEEVE	1				
	16	566409	O-RING	1	5	P16	P16	
	17	566410	P.R.V. SEAT	1				
	18	566409	O-RING	1	5	P16	P16	

4. MSD41TEC-H ACCESSORIES



Status	Position	Parts Number	Parts Name	Unit Quantity	Set Unit Quantity	Specification	Remarks	Maker code
	1	566739		1		MSD41	MSD41	
	2	566247	SUCTION HOSE ASSY	1		19X1BX3M	19x1Bx3000L Incl.3	
	3	566424	PACKING	1	5	18.5X24XT2	18.5x24xt2	
	4	122017	SUCTION STRAINER ASSY	1		G1 ｸﾞﾙｯﾌﾟ		
	5	566426	SPILL HOSE ASSY	1		13X3M	13x1Bx3000L Incl.6	
	6	566430	GASKET FILLER CAP	1	5	12X18.5XT1.5	12x18.5xt1.5	
	7	566719	EXTENTION PF3/8XPF1/4	1		ﾌﾞﾗｽ	G3/8xG1/4 Incl.8	
	8	566721	PACKING 11.5X16X1.5	1	5	11.5X16X1.5	11.5x16x1.5	