



M23S STRING TRIMMER

ILLUSTRATED PARTS LIST

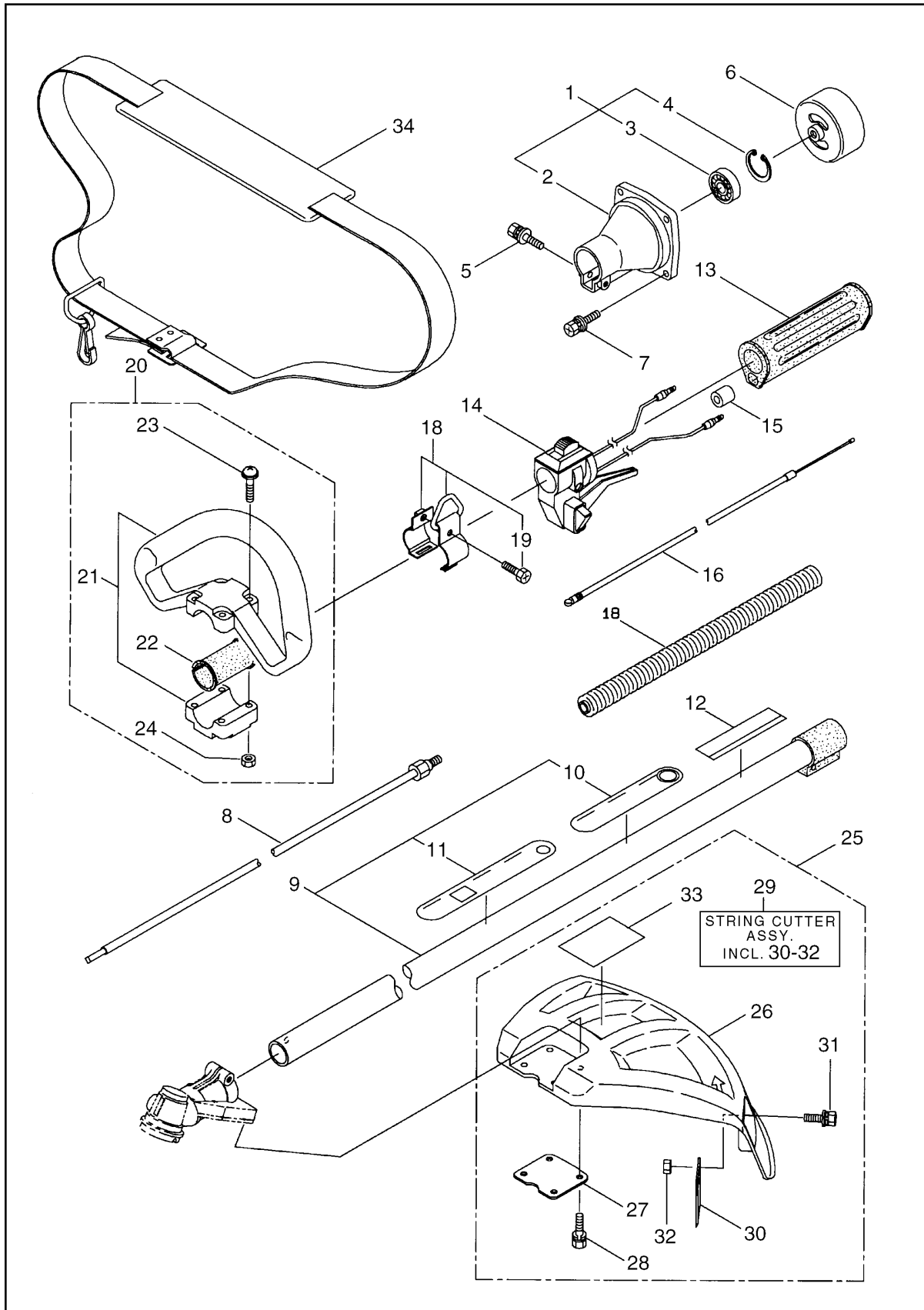


M23S
STRING TRIMMER
PART 845399-REV06/02



Maruyama. *E x t r a o r d i n a r y .*

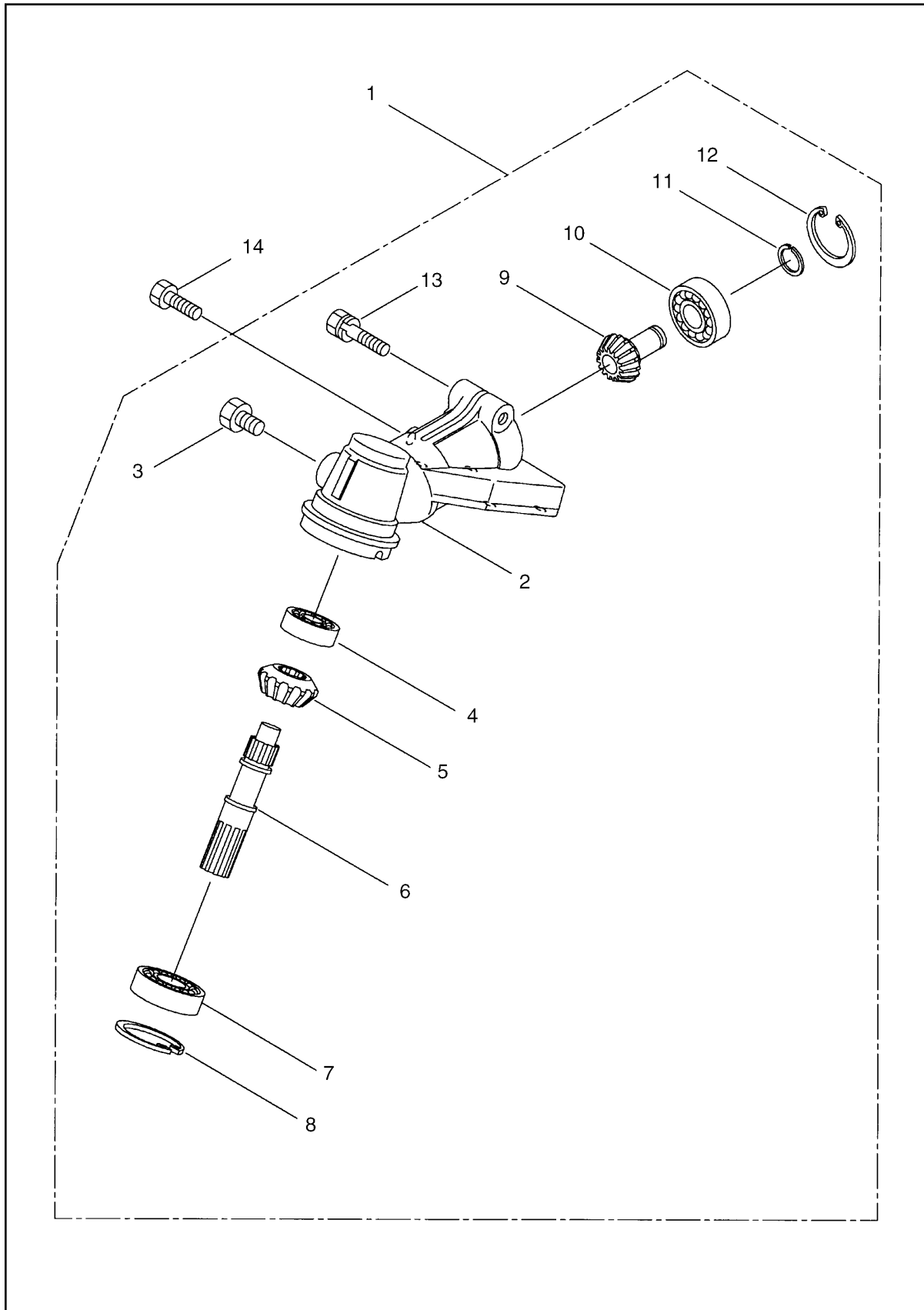
1 M23S MAIN BODY



M23S STRING TRIMMER
Illustrated Parts List

<u>REF. NO.</u>	<u>PART NO.</u>	<u>DESCRIPTION</u>	<u>QUANTITY</u>	<u>NOTES</u>
1-1	221473	Clutch Case Assembly	1	Incl.2-4
1-2	221474	Clutch Case	1	
1-3	016405	Bearing	1	#6200ZZ
1-4	013825	Snap Ring	1	#30
1-5	096042	Bolt	1	M5x30
1-6	054677	Clutch Drum	1	
1-7	817002	Bolt	4	M5x20
1-8	221524	Driveshaft Assembly	1	
1-9	224850	Driveshaft Tube Assembly	1	
1-10	221501	Label	1	Caution
1-11	221502	Label	1	Caution
1-12	224835	Label	1	BIG M M23S
1-13	215532	Shaft Grip	1	
1-14	222953	Throttle Trigger	1	
1-15	214083	Outer Guide	1	
1-16	223051	Throttle Cable	1	300L
1-17	223052	Plastic Tube	1	
1-18	054691	Hanging Bracket Assembly	1	
1-19	089738	Bolt	1	M5x15
1-20	219046	Loop Handle Assembly	1	Incl.21-24
1-21	219032	Loop Handle	1	
1-22	213171	Packing	1	
1-23	092088	Screw	4	M5x35
1-24	081027	Nut	4	M5
1-25	224836	Safety Cover Assembly	1	Incl.26-33
1-26	224837	Safety Cover	1	Blue
1-27	222899	Plate	1	
1-28	092579	Bolt	4	M5x12
1-29	222898	String Cutter Assembly	1	Incl.30-32
1-30	222900	String Cutter	1	
1-31	092548	Bolt	2	M5x15
1-32	081027	Nut	2	M5
1-33	220895	Label	1	
1-34	222955	Hanging Strap Assembly	1	

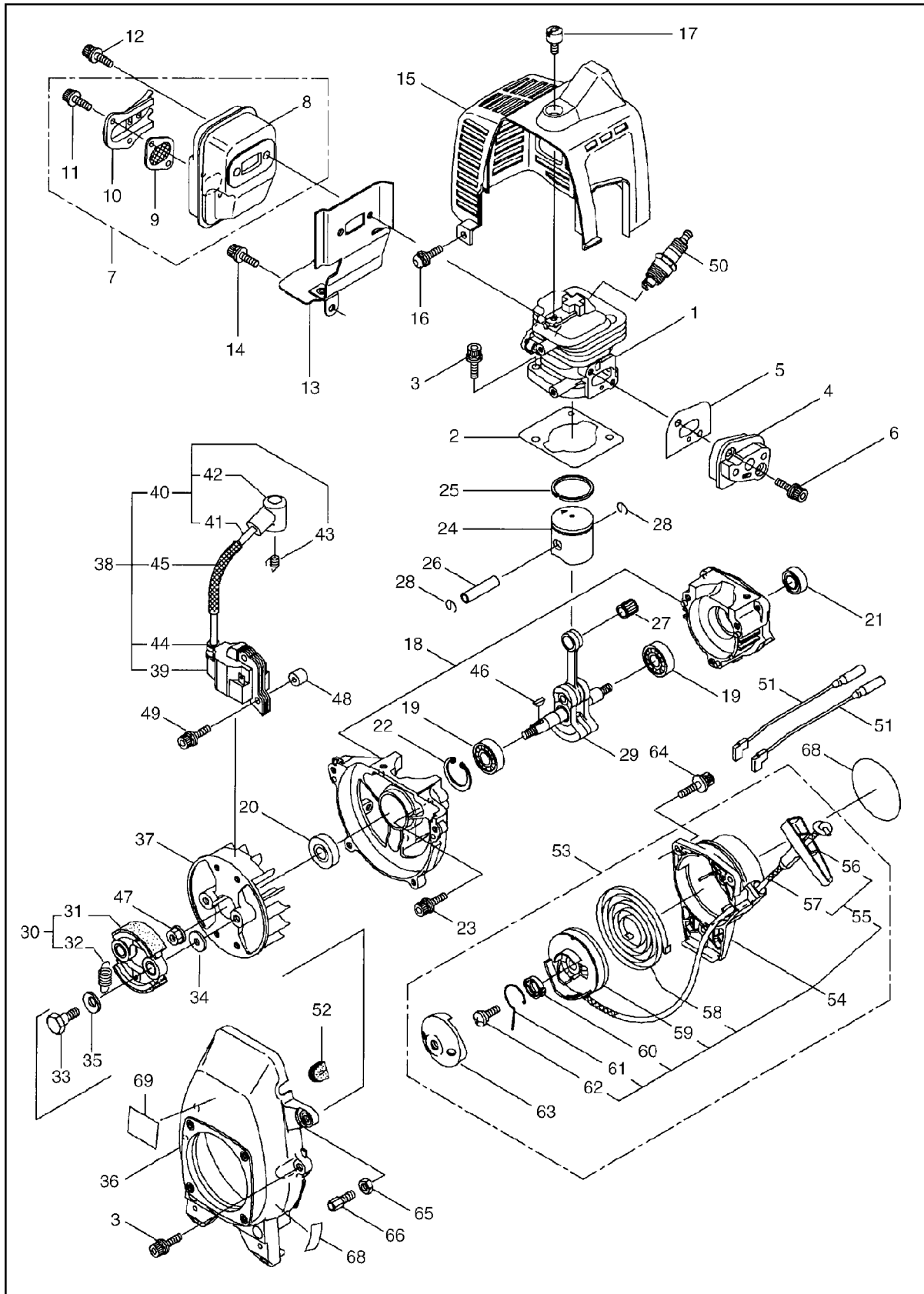
2 M23S GEARCASE



M23S STRING TRIMMER
Illustrated Parts List

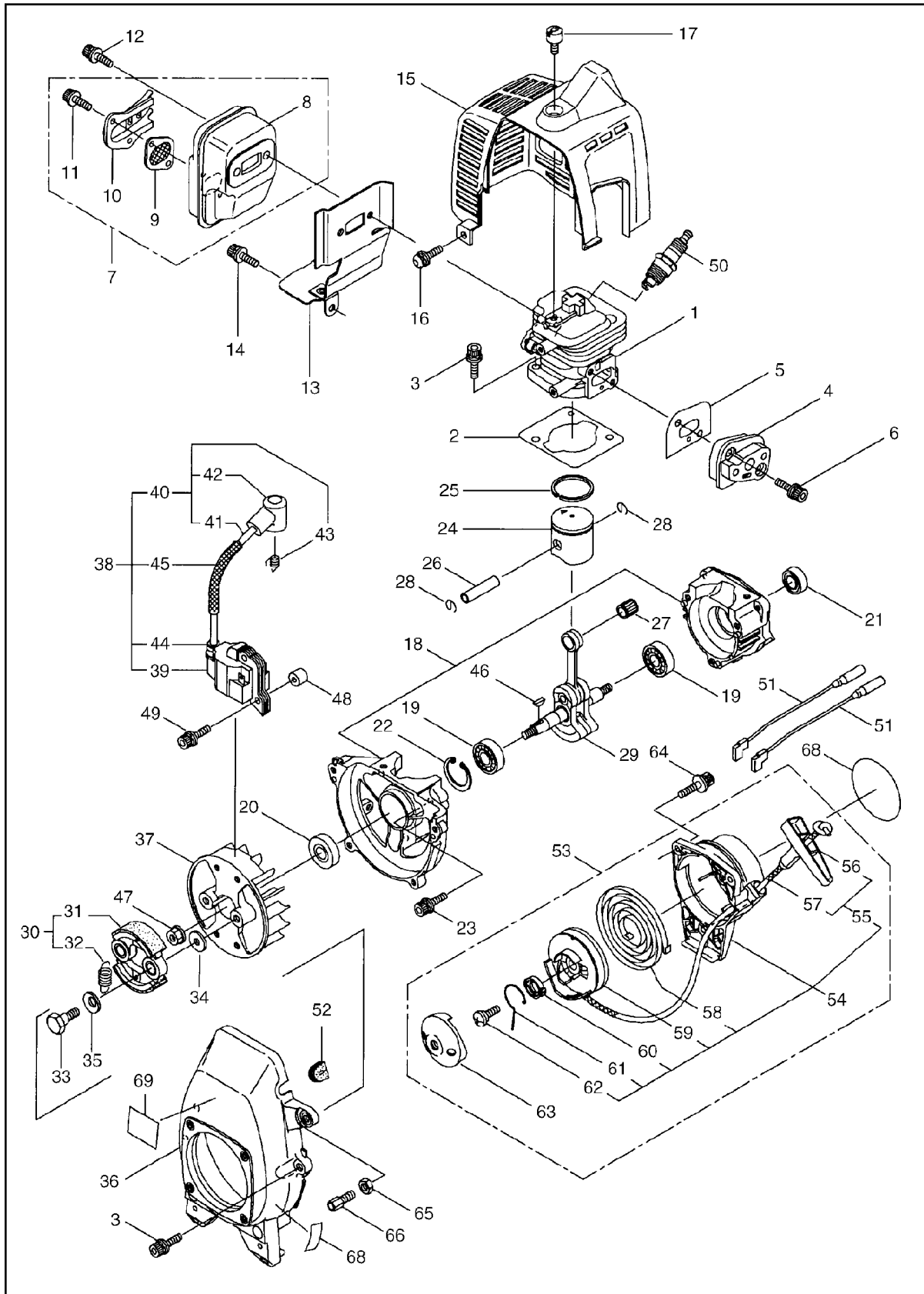
<u>REF. NO.</u>	<u>PART NO.</u>	<u>DESCRIPTION</u>	<u>QUANTITY</u>	<u>NOTES</u>
2-1	222887	Gearcase Assembly	1	Incl.2-13
2-2	222888	Gearcase	1	
2-3	089884	Bolt	1	M8x10
2-4	219205	Bearing	1	#626
2-5	222121	Gear	1	
2-6	219430	Blade Shaft	1	
2-7	212999	Bearing	1	#6001 2RK
2-8	055185	Snap Ring	1	
2-9	222122	Pinion Gear	1	
2-10	217042	Bearing	1	#609Z
2-11	140269	Snap Ring	1	
2-12	140270	Snap Ring	1	
2-13	092561	Bolt	1	M5x25
2-14	089737	Bolt	1	M5x12

3 M23S ENGINE



REF. NO.	PART NO.	DESCRIPTION	QUANTITY	NOTES
3-1	266249	Cylinder	1	New gasket required
3-2	267178	Gasket	1	
3-3	261250	Cap Screw	6	M5x20
3-4	265802	Insulator Block	1	New gasket required
3-5	267049	Gasket	1	
3-6	265924	Cap Screw	2	M5x25
3-7	267051	Muffler Assembly	1	Incl.8-11
3-8	267052	Muffler Comp.	1	
3-9	267056	Spark Arrester	1	
3-10	267053	Tail	1	
3-11	265107	Cap Screw	2	M4x10
3-12	266264	Cap Screw	2	M5x50
3-13	267189	Gasket Comp.	1	
3-14	261607	Cap Screw	1	M5x16
3-15	267550	Top Cover	1	
3-16	267177	Screw	1	M5x16
3-17	265742	Knob	1	
3-18	267063	Crankcase	1	
3-19	261491	Bearing	2	#6001C3
3-20	262198	Oil Seal	1	
3-21	261386	Oil Seal	1	
3-22	055185	Snap Ring	1	
3-23	261612	Cap Screw	3	M5x30
3-24	263569	Piston	1	
3-25	264891	Piston Ring	1	
3-26	261036	Piston Pin	1	
3-27	263957	Bearing, Needle	1	
3-28	261576	Clip,Piston	2	
3-29	267193	Crankshaft/Conn.Rod Ass'y	1	
3-30	264887	Clutch Assembly	1	Incl.31,32
3-31	264026	Clutch Shoe	2	(2)Required
3-32	264028	Spring,Clutch	1	
3-33	264505	Bolt	2	
3-34	261189	Washer	2	6x16.5x1.2
3-35	261777	Wave Washer	2	
3-36	267552	Fan Cover	1	
3-37	265017	Rotor/Fan	1	
3-38	267173	Ignition Coil Assembly	1	Incl.39-45
3-39	267174	Coil	1	
3-40	267403	Spark Plug Wire Assembly	1	Incl.41-43
3-41	267404	Spark Plug Wire	1	
3-42	261074	Plug Boot	1	
3-43	261075	Connector	1	
3-44	261072	Cap	1	
3-45	267402	Insulator	1	

3 M23S ENGINE (continued)

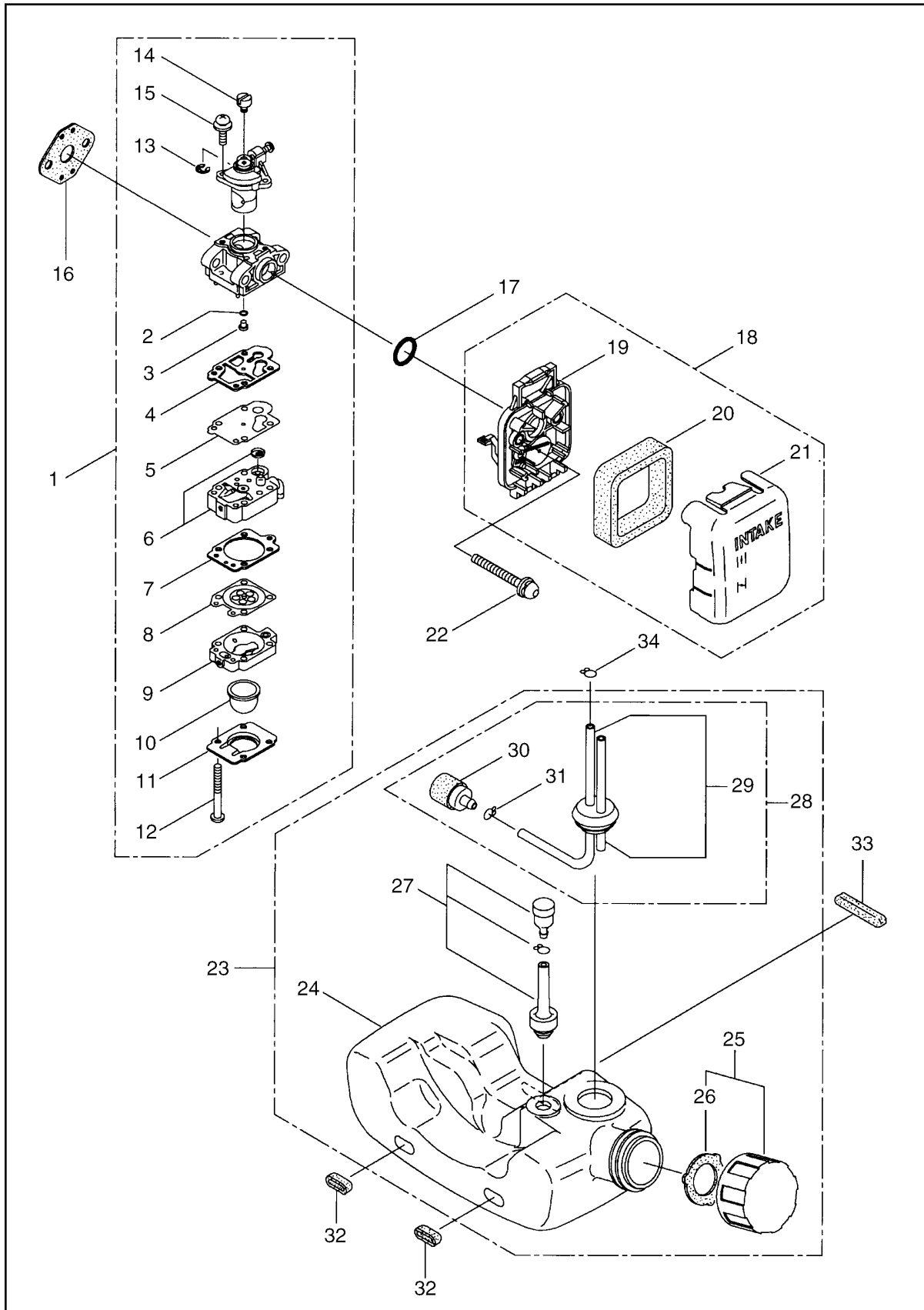


M23S STRING TRIMMER

Illustrated Parts List

REF. NO.	PART NO.	DESCRIPTION	QUANTITY	NOTES
3-46	261076	Woodruff Key	1	3x10
3-47	261417	Nut,Rotor	1	M8
3-48	261078	Spacer	2	
3-49	261256	Cap Screw	2	M4x25
3-50	264652	Spark Plug	1	CJ8Y
3-51	267093	Ground Wire	2	
3-52	261202	Grommet	1	
3-53	267096	Recoil Starter Assembly	1	Incl.54-63
3-54	267097	Recoil Assembly	1	Incl.55-62
3-55	267217	Rope Assembly	1	Incl.56,57
3-56	267219	Starter Grip	1	
3-57	267218	Starter Rope	1	
3-58	267214	Spiral Spring	1	
3-59	267212	Pulley	1	
3-60	267215	Collar	1	
3-61	267216	Swing Arm	1	
3-62	267213	Screw	1	
3-63	267098	Starter Pulley	1	
3-64	265726	Cap Screw	3	M4x16
3-65	261878	Nut	1	
3-66	265409	Adapter	1	
3-67	268888	Label	1	
3-68	267307	Label	1	
3-69	268793	Label	1	

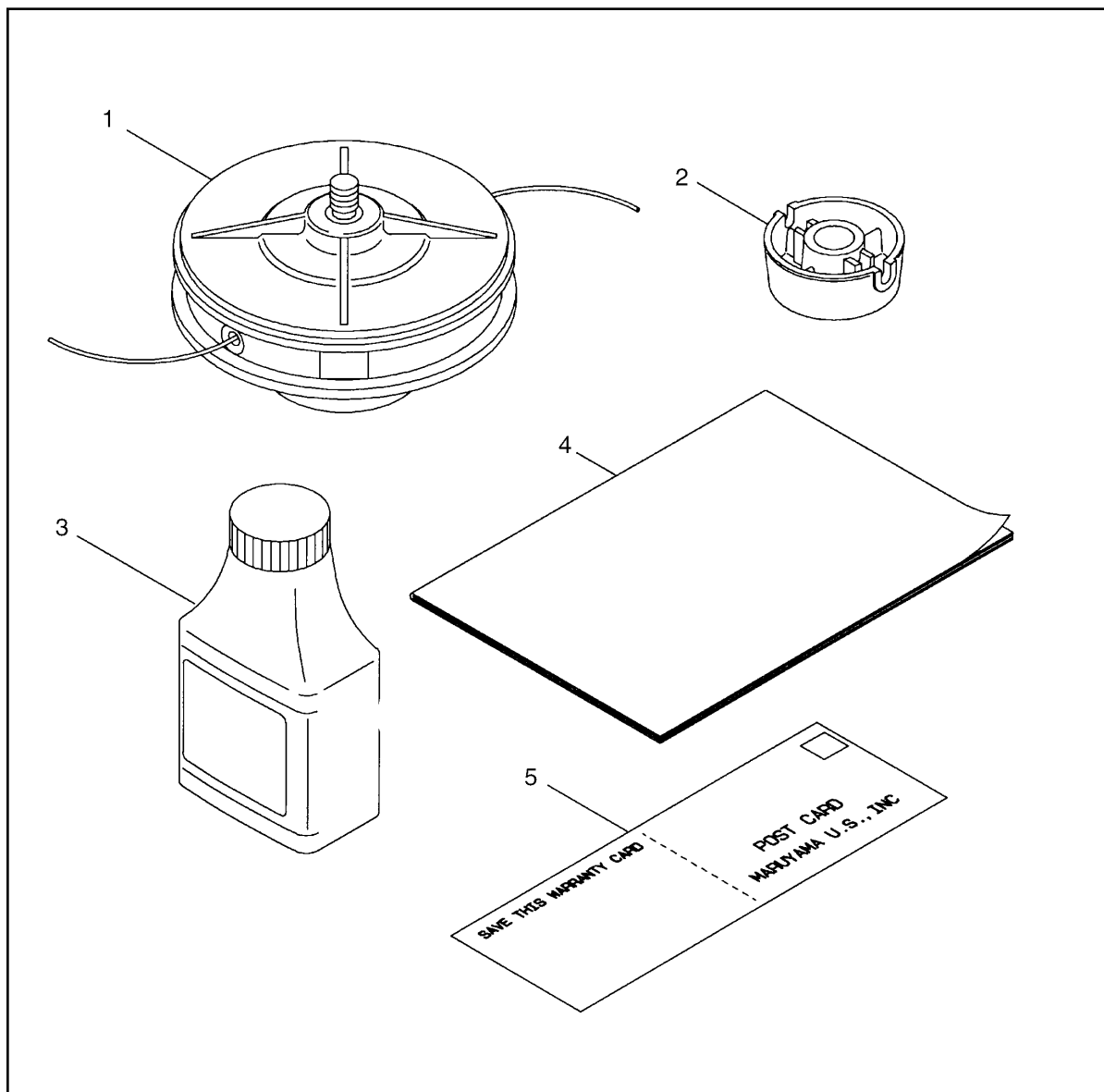
4 M23S CARBURETOR, FUEL TANK



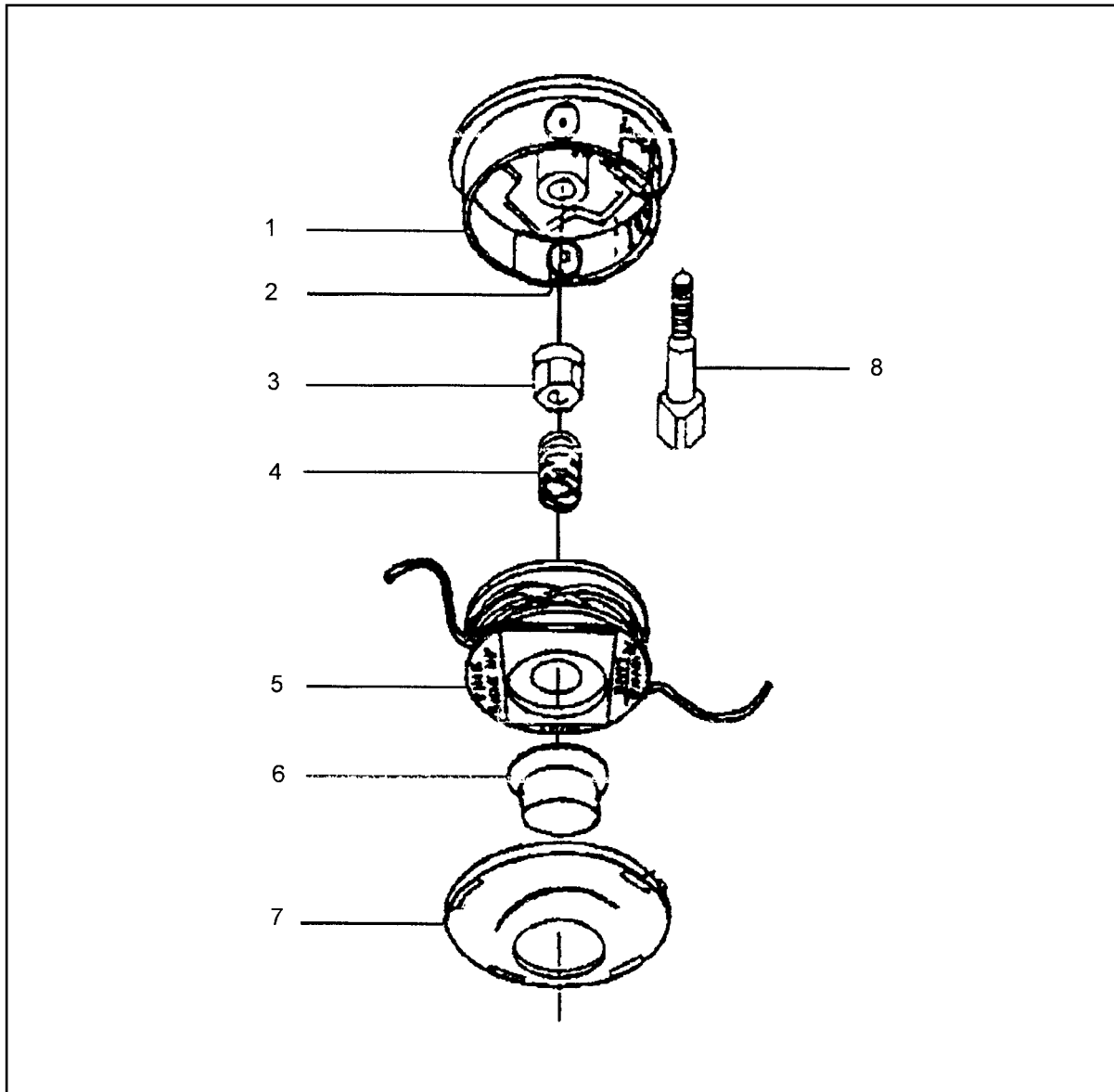
M23S STRING TRIMMER
Illustrated Parts List

REF. NO.	PART NO.	DESCRIPTION	QUANTITY	NOTES
4-1	267100	Carburetor Assembly	1	Incl.2-15
4-2	261871	O-Ring	1	
4-3	267358	Main Jet	1	
4-4	262995	Gasket	1	
4-5	262994	Diaphragm, Fuel Pump	1	
4-6	263739	Pump Body	1	
4-7	262993	Gasket	1	
4-8	261873	Diaphragm, Metering	1	
4-9	262991	Purge Body	1	
4-10	261874	Primer Bulb	1	
4-11	262992	Cover Plate	1	
4-12	262996	Screw	4	
4-13	261876	E-Ring	1	
4-14	261658	Swivel	1	
4-15	264682	Screw	2	
4-16	261864	Gasket	1	
4-17	264691	O-Ring	1	
4-18	266420	Cleaner Assembly	1	Incl.19-21
4-19	266433	Housing	1	
4-20	264695	Filter	1	
4-21	264709	Cover	1	
4-22	264016	Cap Screw	2	M5x60
4-23	268205	Fuel Tank Assembly	1	Incl.24-31
4-24	267103	Fuel Tank	1	
4-25	264784	Fuel Tank Cap Assembly	1	Incl.26
4-26	261105	Gasket	1	
4-27	261696	Breather Assembly	1	
4-28	267309	Fuel Pipe Pick-up Assembly	1	Incl.29-31
4-29	266955	Fuel Pipe Assembly	1	
4-30	264653	Filter Assembly	1	
4-31	261117	Clip	1	
4-32	264318	Pad	2	
4-33	263824	Pad	1	
4-34	261117	Clip	1	

5 M23S ACCESSORIES



<u>REF. NO.</u>	<u>PART NO.</u>	<u>DESCRIPTION</u>	<u>QUANTITY</u>	<u>NOTES</u>
5-1	840466	Semi-Auto Head (L)	1	
5-2	222890	Boss Adapter	1	
5-3	219428	2-cycle Oil	1	2.6Fl. oz./77 ml
5-4	224838	Instruction Manual	1	M23S/26S/23C
5-5	224840	Warranty Card	1	



<u>REF. NO.</u>	<u>PART NO.</u>	<u>DESCRIPTION</u>	<u>QUANTITY</u>	<u>NOTES</u>
6-1	840520	Housing	1	
6-2	840404	Eyelets	1	
6-3	840519	Nut	1	
6-4	840424	Spring	1	
6-5	840522	Spool	1	
6-6	840422	Button	1	
6-7	840523	Cover	1	
6-8	840519	Nut	1	



Maruyama U.S., Inc.
3570 Shelby Lane
Denton, TX 76207
940-383-7400 voice
940-383-7466 fax

www.maruyama-us.com