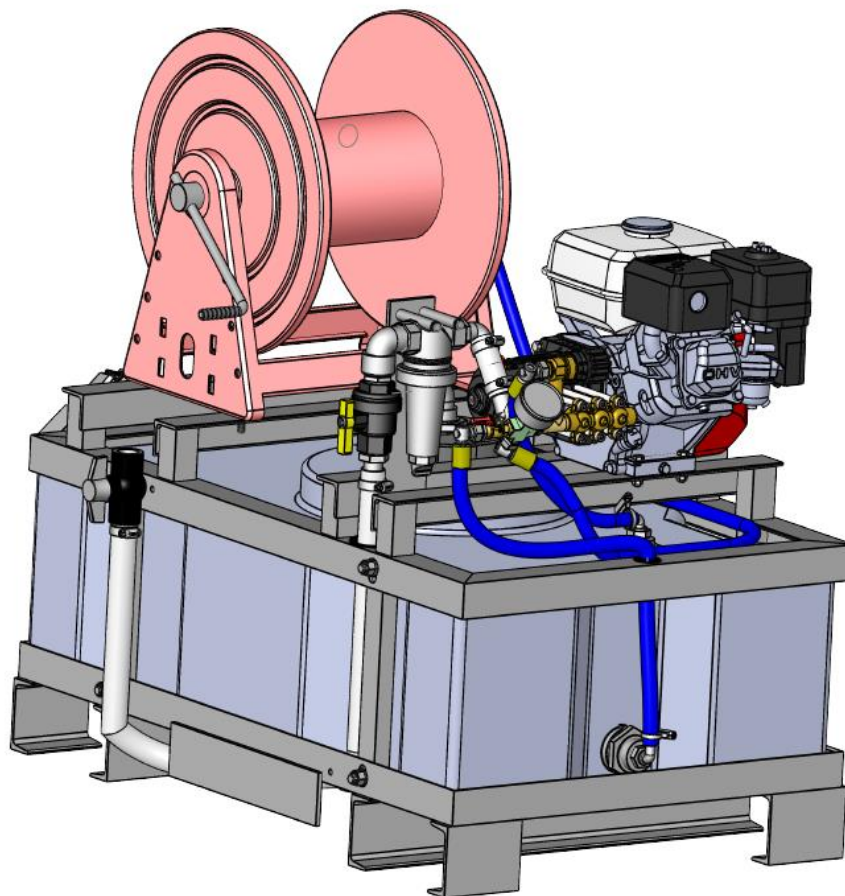


# Parts List

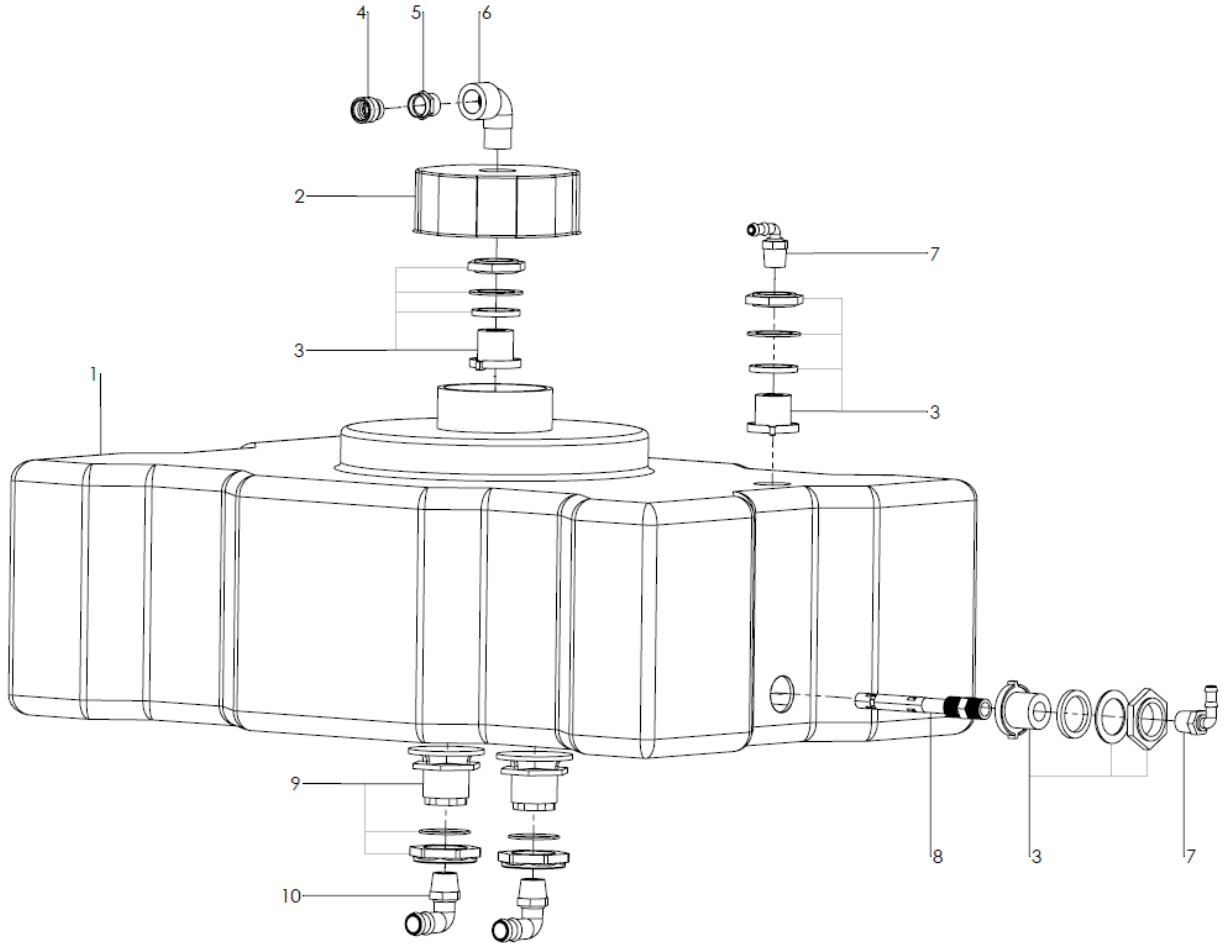
MSD41 – 50T / 100T



2023.6 Ver. 02

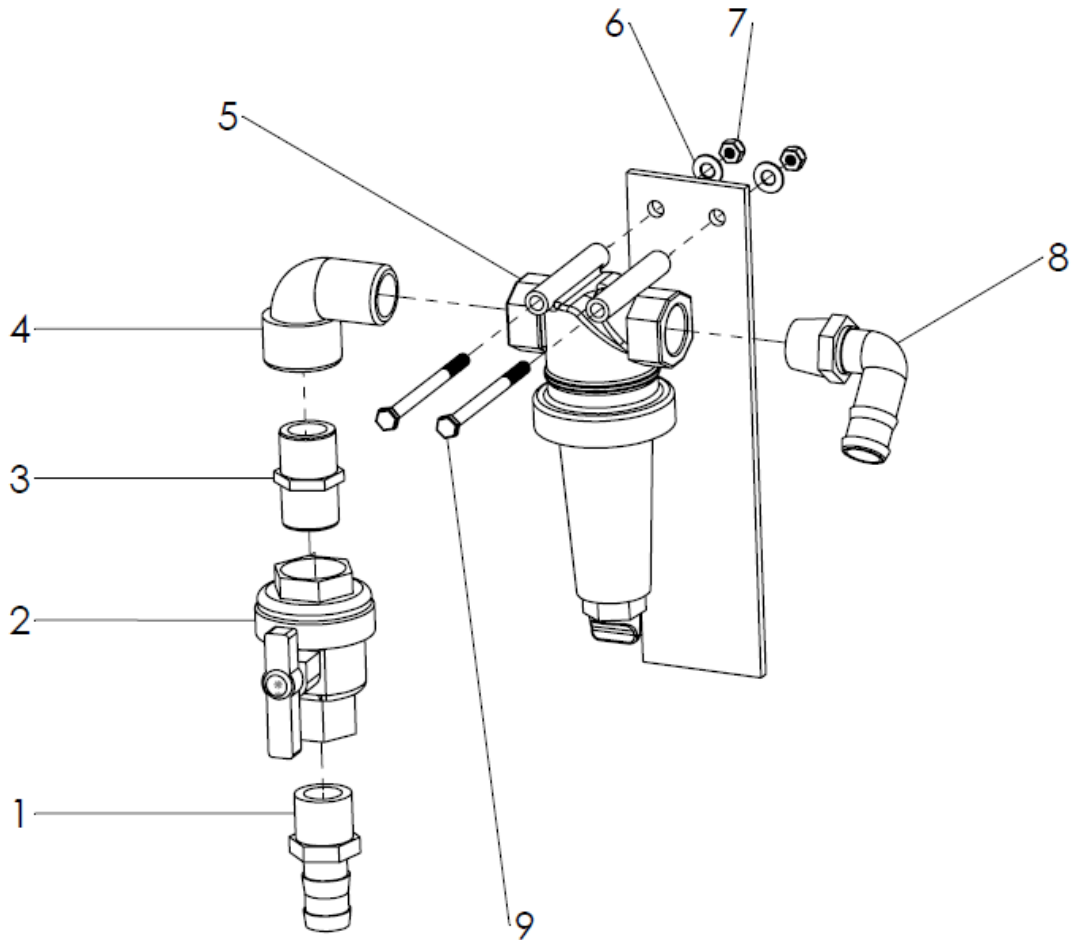


# MSD41 – 50T / 100T Tank Assembly



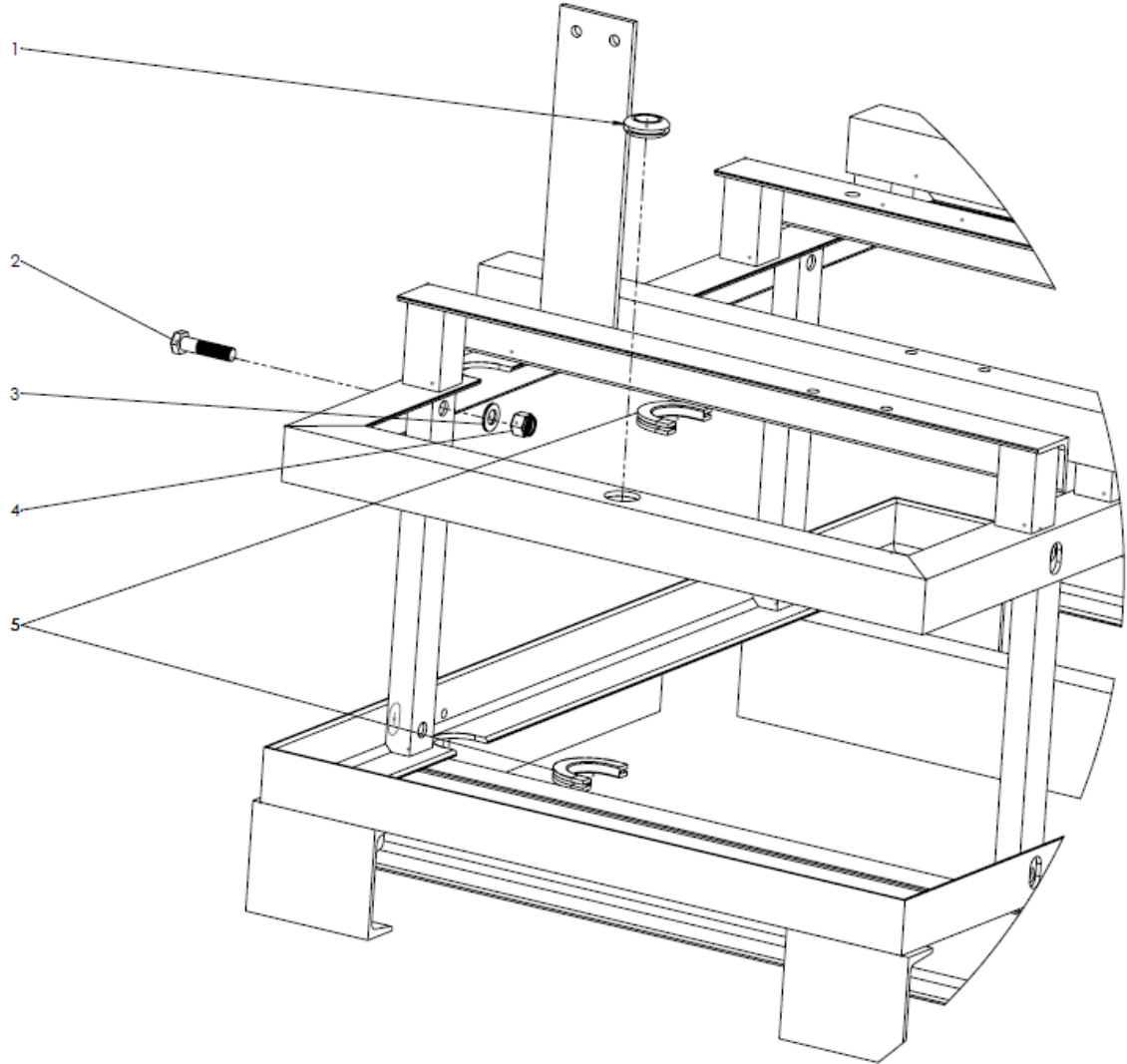
Status	Index Number	Part Number	Unit Quantity	Specifications	Remarks
	1	842765	1	50T Tank Body	
	1	842766	1	100T Tank Body	
	2	842020	1	Tank Cap	
	3	842167	3	Bulkhead Fitting	
	4	842011	1	Vacuum Breaker	
	5	842876	1	Fill Valve Adapter	
	6	842777	1	Elbow Adapter	
	7	842858	2	Elbow Hose Barb	
	8	842773	1	Jet Agitator	
	9	842795	2	Anti-Vortex Tank Fitting	
	10	842804	2	1" Hose Barb	

# MSD41 – 50T / 100T Line Strainer Assembly



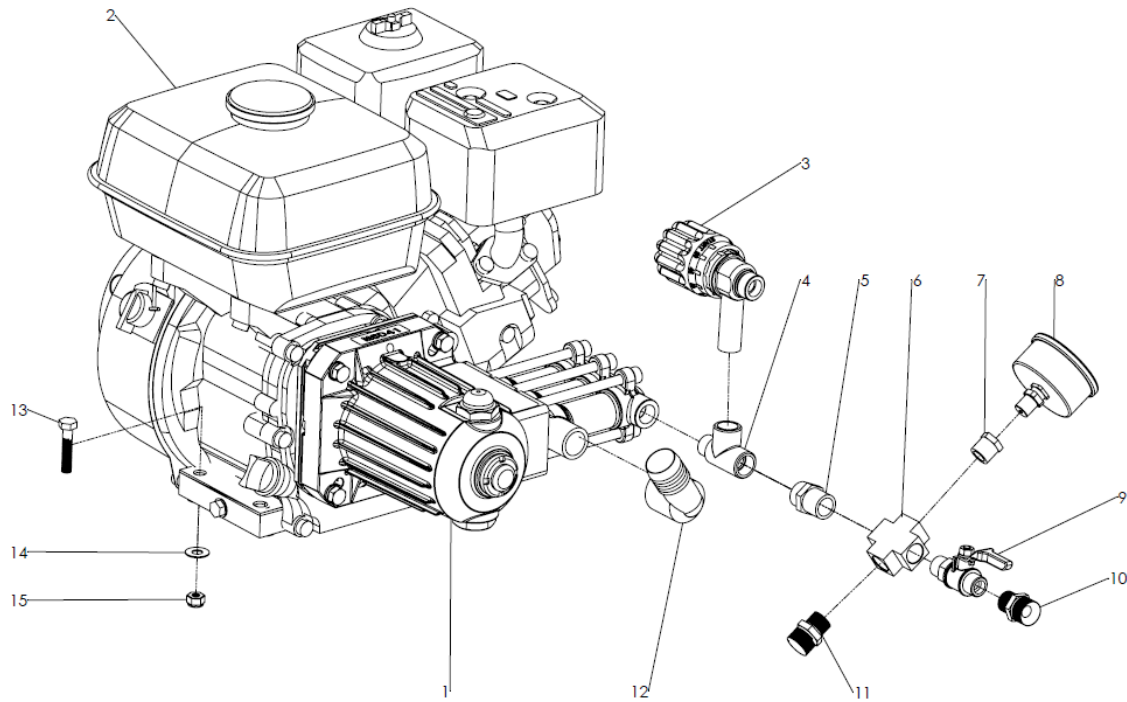
Status	Index Number	Part Number	Unit Quantity	Specifications	Remarks
	1	842849	1	Hose Barb	
	2	842778	1	Ball Valve	
	3	842787	1	1" Straight connector	
	4	845602	1	SL100 - 90	
	5	842769	1	Line strainer	
	6	842036	2	Washer	
	7	842035	2	Nylock nut	
	8	842804	1	1" hose barb	
	9	842141	2	Bolt	

MSD41 – 50T / 100T Frame



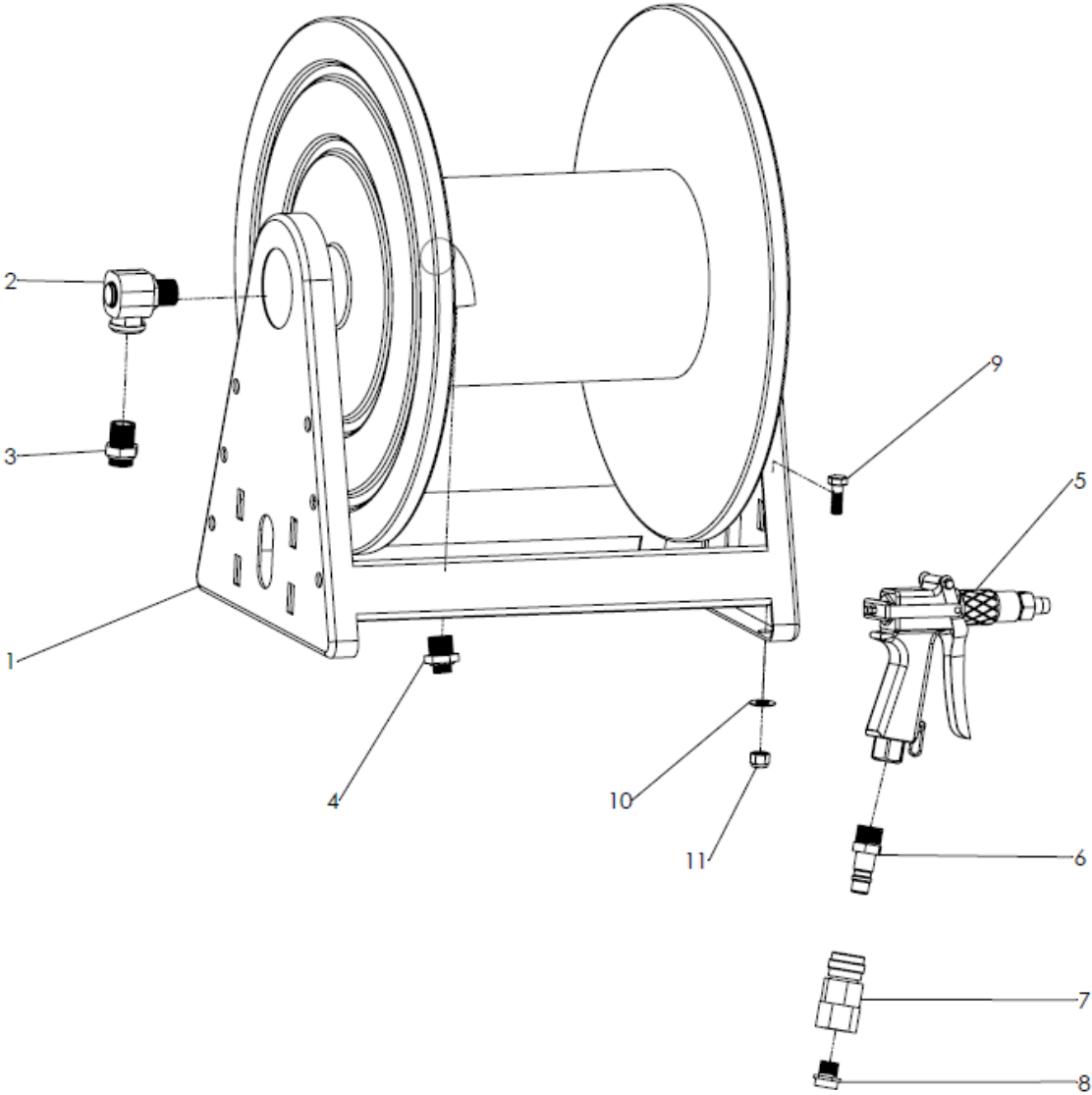
Status	Index Number	Part Number	Unit Quantity	Specifications	Remarks
	1	845609	1	Rubber Grommet	
	2	845608	8	Bolt	
	3	845606	8	Washer	
	4	845607	8	Nut	
	5	849855	2	Rubber Seal	

## MSD41 – 50T / 100T Pump Distribution Group



Status	Index Number	Part Number	Unit Quantity	Specifications	Remarks
	1	366537	1	MSD41T 3/4	Includes #'s 3, 4, 9 Mounting plate and hardware
	2		1	Honda GX160	
	3	566679	1	Regulator	
	4	566411	1	Tee	
	5	842785	1	straight connector	
	6	849501	1	brass cross	
	7	842027	1	bushing adapter	
	8	842763	1	Pressure gauge, back mount	
	9	541796	1	Petcock	
	10	842137	1	Adapter	
	11	681564	1	Adapter	
	12	842840	1	90* hose barb	
	13	842013	4	Bolt, engine mount	
	14	842036	4	Washer, engine mount	
	15	842035	4	Nylock nut, engine mount	

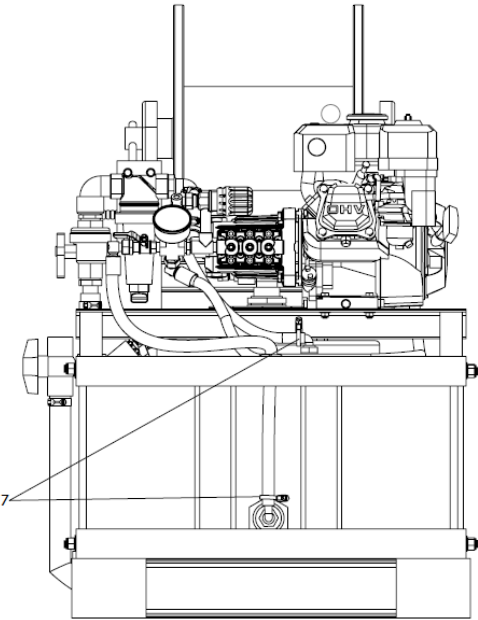
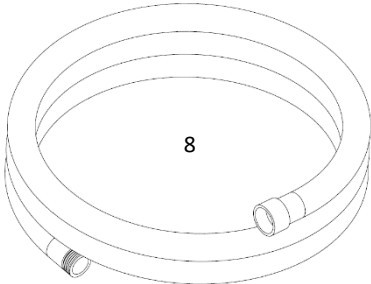
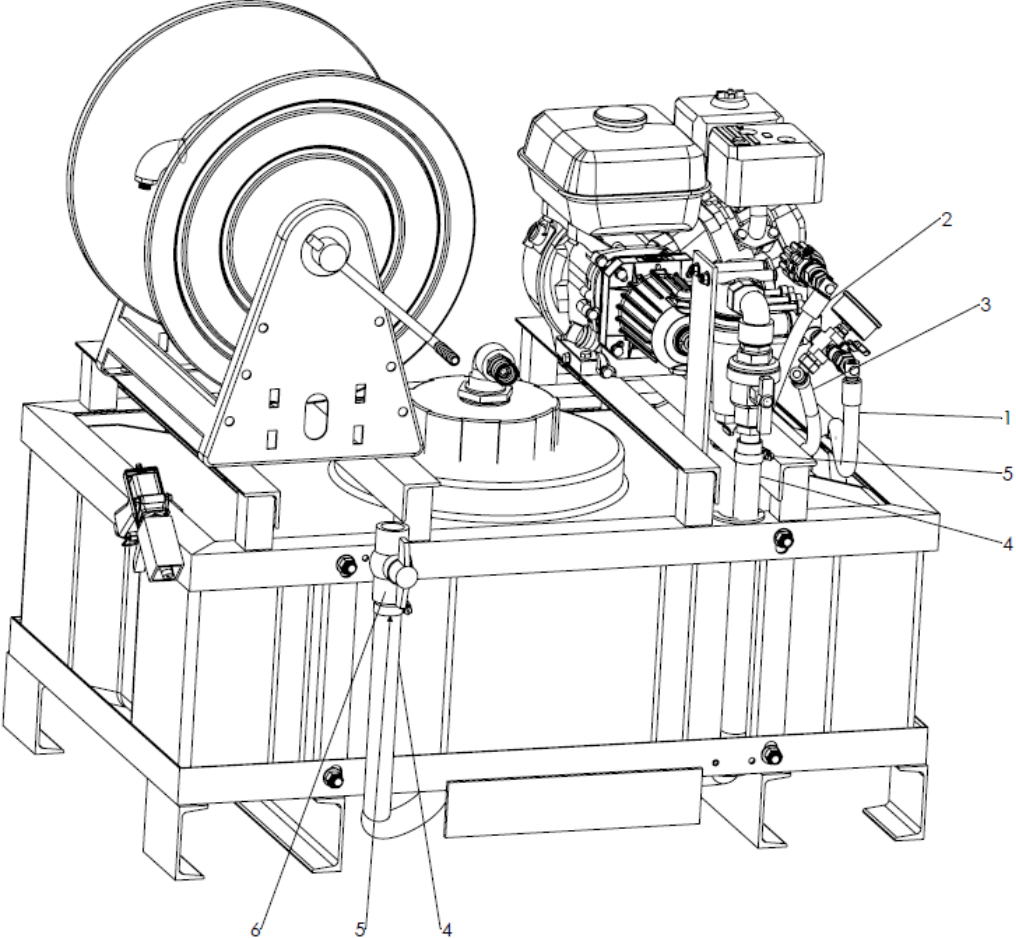
MSD41 – 50T / 100T Reel and gun



MSD41 – 50T / 100T Reel and gun

Status	Index Number	Part Number	Unit Quantity	Specifications	Remarks
	1	842750	1	ReelCraft Reel	Manual
	1	842752	1	ReelCraft Reel	12VDC Electric
	1	842757	1	Switch and Bracket Kit	only for electric reel
	2	849045	1	Swivel	
	3	842808	1	Adapter	13mm hose to swivel
	4	842794	1	Adapter	Reel to 10mm spray hose
	5	842404	1	MD9 Spray Gun	
	6	842478	1	QC fitting (M)	
	7	842498	1	QC fitting (F)	
	8	840653	1	Adapter	Spray hose to QC (F)
	9	842129	4	Bolt, reel mount	
	10	842037	4	Washer, reel mount	
	11	842032	4	Nut, reel mount	

MSD41 – 50T / 100T Hose Assemblies





## MSD41 – 50T / 100T Hose Assemblies

Status	Index Number	Part Number	Unit Quantity	Specifications	Remarks
	1	845981	1	Agitator hose assembly	50T
	2	845984	1	Bypass (return) hose assembly	50T
	3	845992	1	Pump to reel hose assembly	50T
	1	845982	1	Agitator hose assembly	100T
	2	845984	1	Bypass (return) hose assembly	100T
	3	845992	1	Pump to reel hose assembly	100T
	4	842873		Intake / Drain hose	quantity / per foot
	5	845604	1	Ball Valve, Tank Drain	
	6	842021	6	Clamp, Intake / Drain hose	
	7	842144	2	Clamp, agitator / bypass hose	
	8	637928	1	10mm X 100M spray hose	winds onto reel

# PARTS LIST

## MSD41T 3/4INCH

### CONTENTS

1. PUMP .....	1
2. RELIEF VALVE .....	3
3. ACCESSORIES .....	5

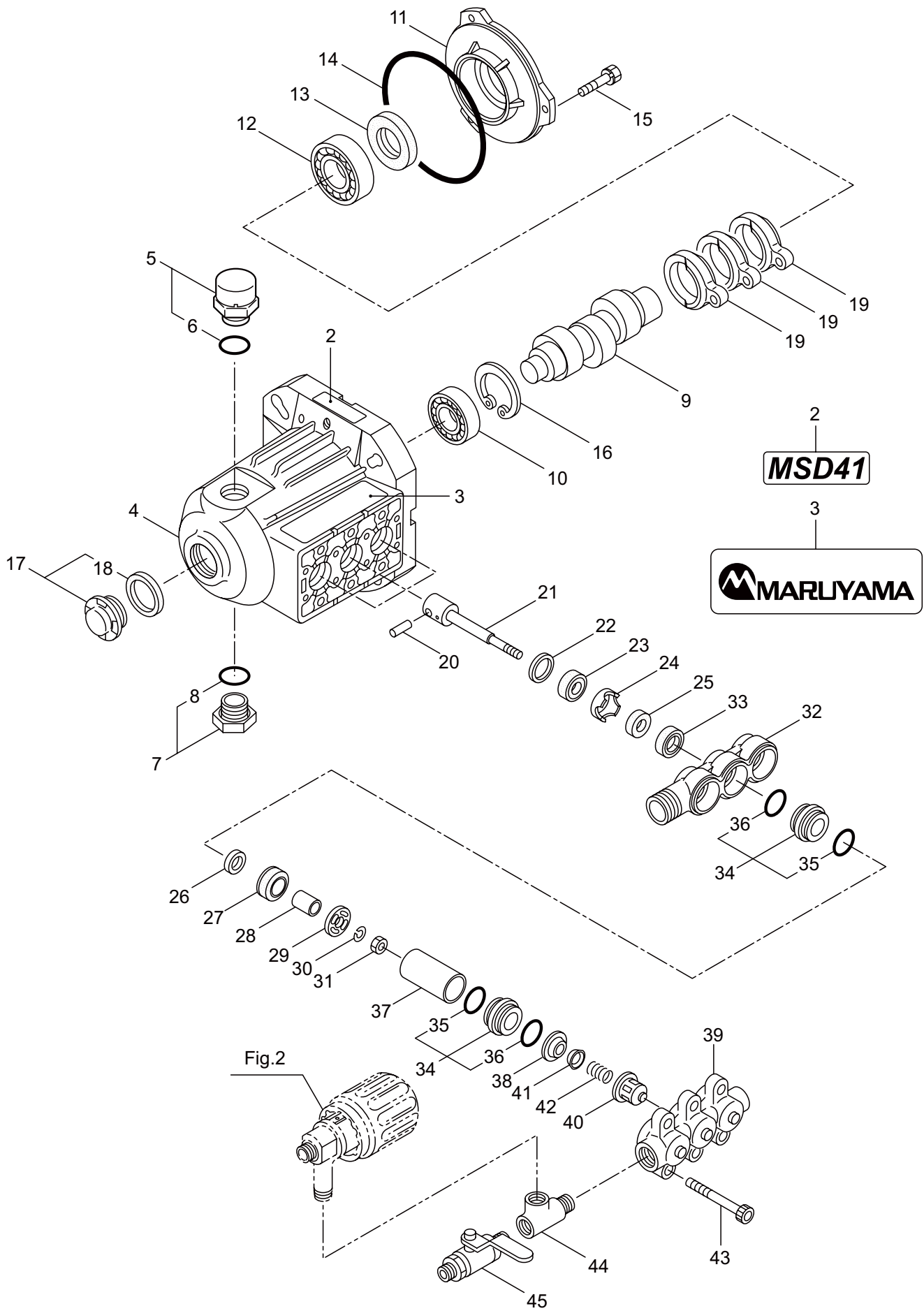
2022. 08.



P/N 525446

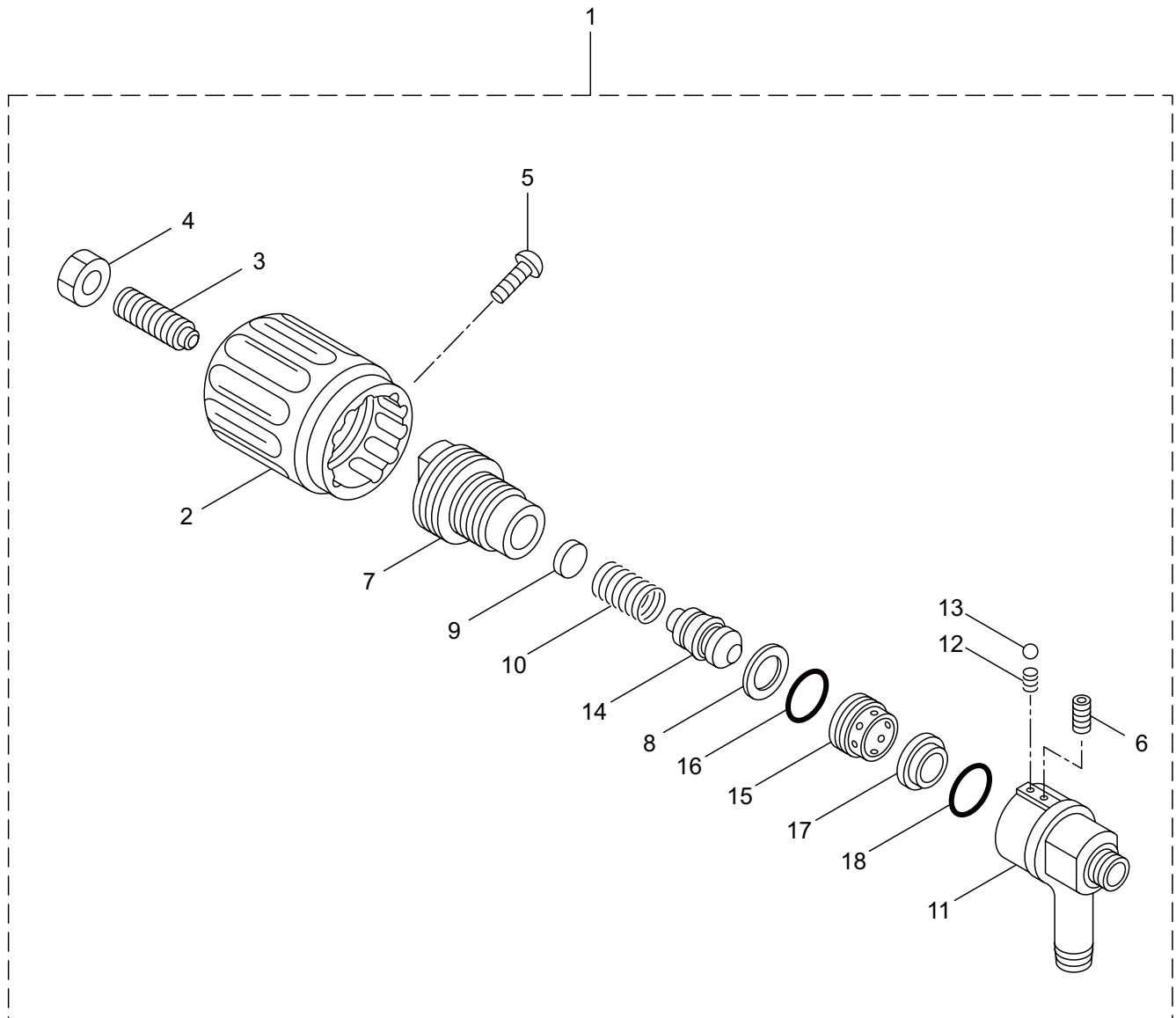
# MSD41T 3/4INCH

## 1. PUMP



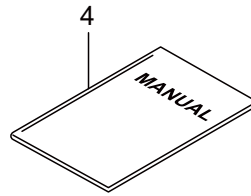
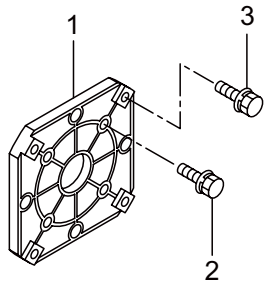
Ref. No.	Part No.	Part Name	Q'ty	Remarks
1-1	366537	MSD41T	1	3/4inch
1-2	566346	Label	1	MSD41
1-3	566347	Label	1	
1-4	566224	Crankcase	1	
1-5	566687	Oil Inlet Cap Ass'y	1	Incl.6
1-6	566348	O-Ring	1	P20
1-7	811174	Plug Ass'y	1	Incl.8
1-8	566348	O-Ring	1	P20
1-9	660972	Crankshaft	1	
1-10	566350	Bearing	1	#6204
1-11	566235	Bearing Case	1	
1-12	566351	Bearing	1	#6006
1-13	566352	Oil Seal	1	D30428
1-14	566353	O-Ring	1	S100
1-15	566354	Hex Head Bolt	3	M6x14
1-16	566355	Snap Ring	1	H47
1-17	566356	Oil Gauge Ass'y	1	Incl.18
1-18	566359	Packing	1	25x34xt2
1-19	566237	Connrod	3	
1-20	566360	Piston Pin	3	9x22
1-21	566361	Piston Rod Comp	3	
1-22	566366	Plain Washer	3	17x24xt1.2
1-23	566367	Oil Seal	3	S10.5247
1-24	566239	Retainer	3	
1-25	566368	Packing	3	10x19x6.5
1-26	566369	Suction Valve	3	6.1x20xt2.8
1-27	566371	Piston Packing	3	25
1-28	566373	Suction Disc Collar	3	6x8.5x10.5
1-29	566374	Stopper	3	
1-30	566375	Spring Washer	3	M6
1-31	566376	Nylon Nut	3	M6
1-32	566377	Manifold (A)	1	
1-33	566379	Low Pressure Seal	3	
1-34	566381	Pipe Adapter Ass'y	6	Incl.35,36
1-35	566383	O-Ring	6	P21
1-36	566384	O-Ring	6	P22
1-37	566385	Cylinder Pipe	3	25x28.5xL43
1-38	566386	Valve Seat	3	
1-39	566387	Manifold (B)	1	
1-40	566240	Valve Retainer	3	
1-41	566389	Valve	3	16x1.5
1-42	566391	Compession Spring	3	
1-43	566392	Cap Screw	6	M8x110x28
1-44	566411	Tees	1	RC3/8xR3/8
1-45	541796	Cock Ass'y	1	R3/8xG1/4

MSD41T 3/4INCH  
2. RELIEF VALVE



Ref. No.	Part No.	Part Name	Q'ty	Remarks
2-1	566679	Relief Valve Ass'y	1	Incl.2-18
2-2	566242	Knob	1	
2-3	566394	Hex Socket Set Screw	1	M8x35
2-4	566395	Hex Nut	1	M8
2-5	566396	Round Machine Screw	2	M3x5
2-6	566397	Hex Socket Set Screw	1	M4x6
2-7	566398	Guide	1	
2-8	566399	Plain Washer	1	16x21xt0.6
2-9	566400	Spring Seat	1	15xt2.5
2-10	566401	Compession Spring	1	
2-11	566402	Relief Valve Body	1	
2-12	566403	Compession Spring	1	
2-13	566404	Valve Ball	1	5/32
2-14	566658	Piston Ass'y	1	
2-15	566408	Sleeve	1	
2-16	566409	O-Ring	1	P16
2-17	566410	Valve Seat	1	
2-18	566409	O-Ring	1	P16

MSD41T 3/4INCH  
3. ACCESSORIES



Ref. No.	Part No.	Part Name	Q'ty	Remarks
3-1	566245	Flange	1	
3-2	566690	Hex Head Bolt	4	5/16-24UNFx20
3-3	566415	Hex Head Bolt	4	3/8-16UNCx35SMK
3-4	566433	Instruction Manual	1	MSD41/45