

# PARTS LIST

## B261L-T

### CONTENTS

1. MAIN BODY .....	1 ~ 2
2. GEARCASE.....	3 ~ 4
3. ENGINE .....	5 ~ 8
4. CARBURETOR, FUEL TANK .....	9 ~ 12
5. ACCESSORIES .....	13 ~ 14

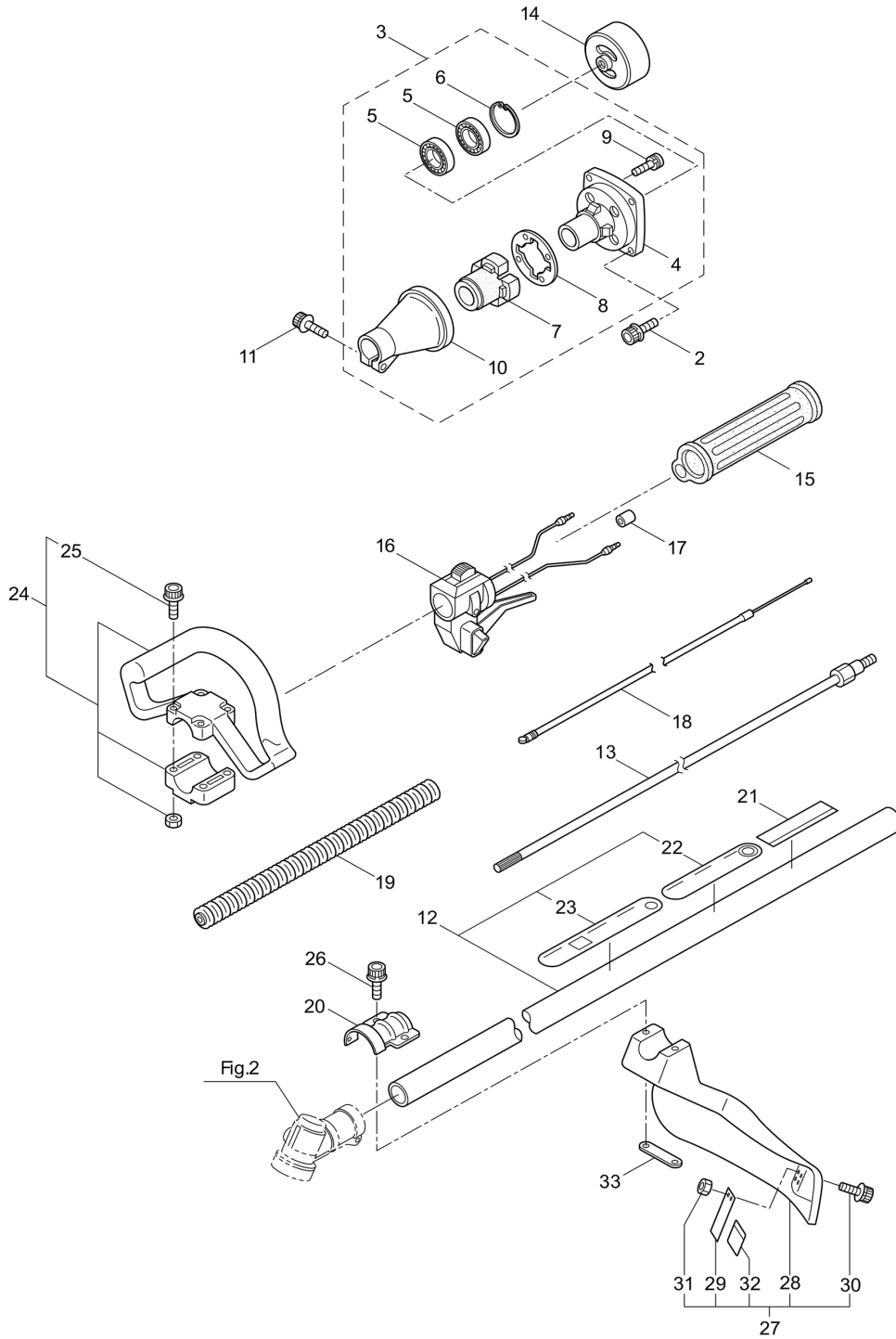
2015. 03.



**MARUYAMA**

P/N 524003

1. B261L-T  
MAIN BODY



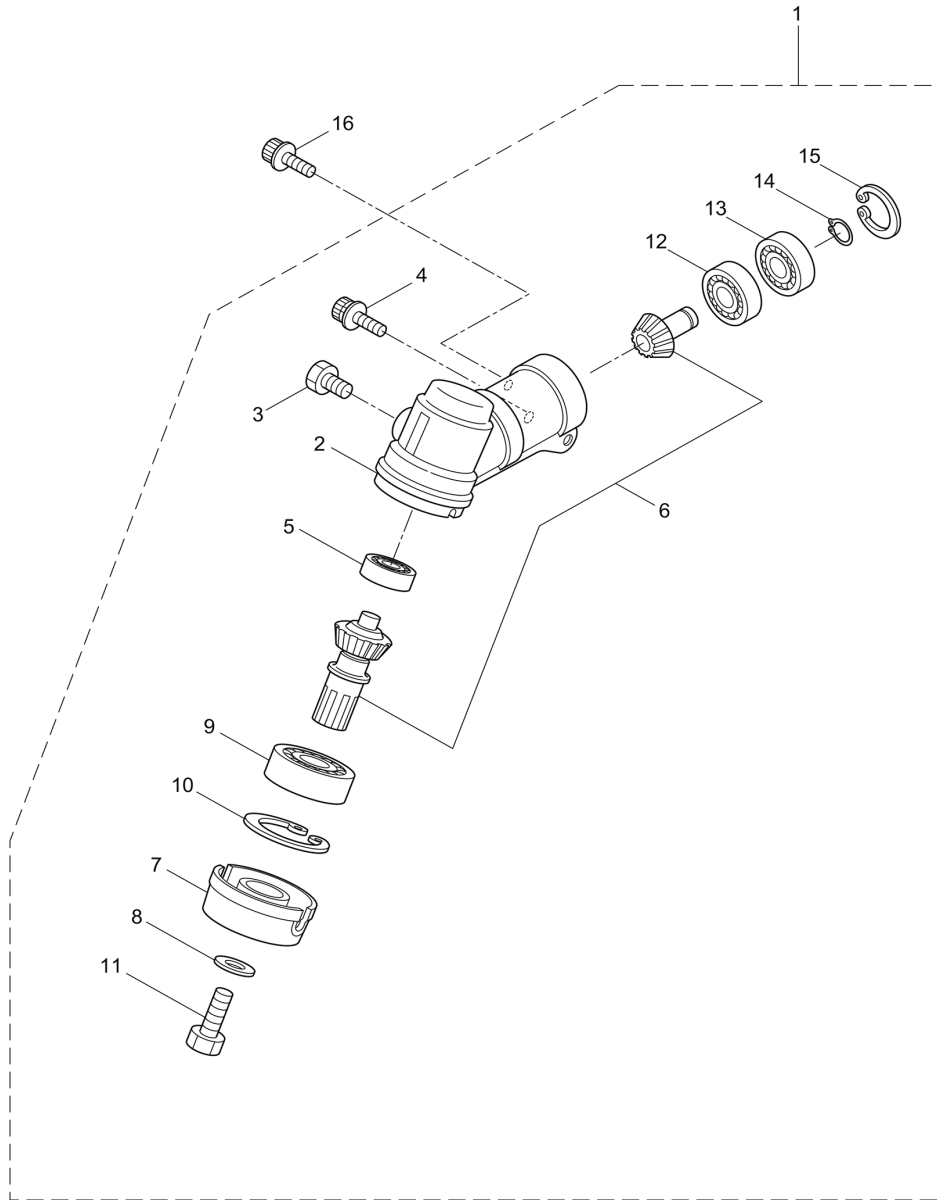
- 1 -

1

Status	Position	Parts Number	Parts Name	Unit Quantity	Set Unit Quantity	Specification	Remarks	Maker code
--------	----------	--------------	------------	---------------	-------------------	---------------	---------	------------

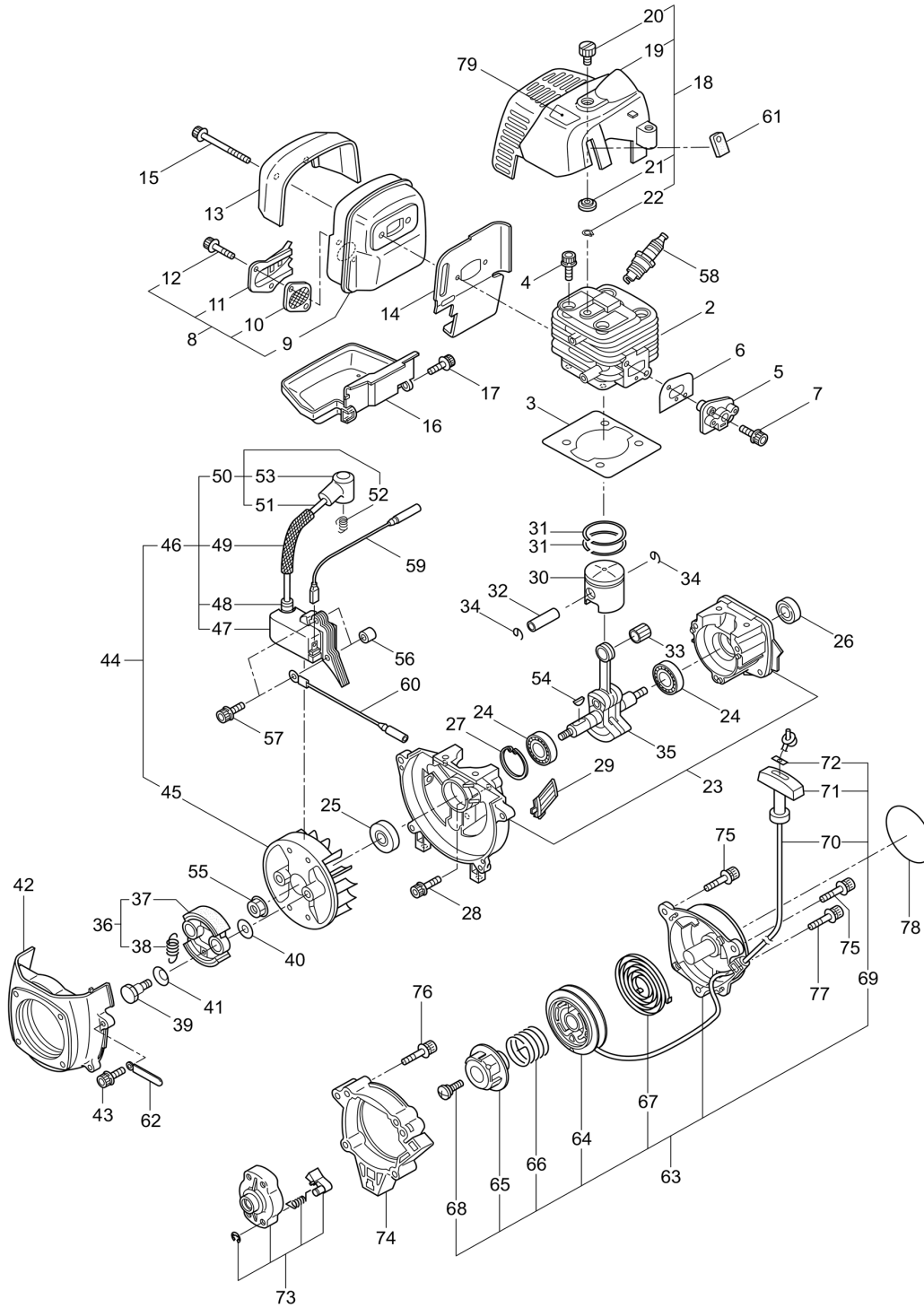
Status	Position	Parts Number	Parts Name	Unit Quantity	Set Unit Quantity	Specification	Remarks	Maker code
	1	364479	B261L-T (MUS)	1				
	2	261250	CAP SCREW	Four	Five	M5X20	M5x20	
	3	215512	CLUTCH HOUSING ASSY	1			Incl.4-10	
	Four	214592	HOUSING	1				
	Five	214161	BEARING 6000ZZ	2		# 6000ZZ	# 6000ZZ	
	6	054676	RING SNAP	1	Five	Anou 26	# 26	
	7	214162	RUBBER	1				
	8	214163	WASHER	1				
	9	092033	SCREW	Four	Ten	M5X15	M5x15	
	Ten	214593	PIPE BRACKET	1		Toso Nashi		
	11	261246	CAP SCREW	1	Five	M5X25	M5x25	
	12	220078	DRIVESHAFT TUBE ASSY	1		BC201 (MUS) (2)	Incl.22,23	
	13	219268	DRIVE SHAFT ASSY	1		BC260 MUS		
	14	054677	CLUTCH DRUM	1		56XM7		
	15	215532	GRIP	1		Cro (N1.5)		
	16	221465	THROTTLE TRIGGER	1		SW Tuki 24		
	17	214083	OUTER GUIDE	1				
	18	213444	THROTTLE WIRE	1		340L I / O 66.5	340L	
	19	213548	TUBE	1		Navi 10 200L Slit	# 10x200L	
	20	225962	BRACKET	1		T1.6		
	twenty one	237290	LABEL	1		B261L-T	B261L-T	
	twenty two	221501	CAUTION MARK	1		ANSI	Warning	
	twenty three	221502	CAUTION MARK	1		ANSI	Caution	
	twenty four	227816	LOOP HANDLE ASSY	1		(24) Taisei Kozai	Incl.25	
	twenty five	215608	CAP SCREW	Four	Five	M5X30X16	M5x30x16	
	26	261612	CAP SCREW	2		M5X30	M5x30	
	27	236707	SAFETY COVEER	1		Code chords	Incl.28-32	
	28	231000	SAFETY COVER	1		Tevakan Noukuro		
	29	231493	STRING CUTTER LONG	1		Long / Frat		
	30	227817	BOLT	2	Five	M5X12	M5x12	
	31	081027	NUT	2	Five	M5X0.8 1	M5	
	32	212972	CODE CUTTER COVER	1		Cro		
	33	225963	THREADED BRACKET	1		T1.6		

## 2. B261L-T GEARCASE



Status	Position	Parts Number	Parts Name	Unit Quantity	Set Unit Quantity	Specification	Remarks	Maker code
	1	232718	GEARCASE(13:25)	1		ロ-キヤート (13:25)	Incl.2-15	
	2	232719	GEAR CASE	1				
	3	234109	BOLT	1	5	M8X8	M8x8	
	4	261246	CAP SCREW	1	5	M5X25	M5x25	
	5	210560	BEARING 609	1		#609	#609	
	6	233332	GEAR SET	1		60°/7SP. 13:25		
	7	232726	BOSS ADAPTER	1		N/Hヨウ		
	8	127216	WASHER	1	5	M8 ミカキマル	M8	
	9	232724	BEARING 62032RS	1		6203UU	#6203 2RS	
	10	012381	HOLE SNAP PIN	1		アナヨウ40	#40	
	11	221998	BOLT	1		M8X12 ヒタリ	M8x12,Counterclockwise	
	12	210560	BEARING 609	1		#609	#609	
	13	140268	BEARING #609Z	1		#609Z	#609Z	
	14	228477	C-SHAPED RING	1		ジクヨウ9 STW-9	#9	
	15	140270	C-SHAPED SNAP RING	1		アナヨウ24	#24	
	16	261233	SCREW	1		M5X12	M5x12	

### 3. B261L-T ENGINE

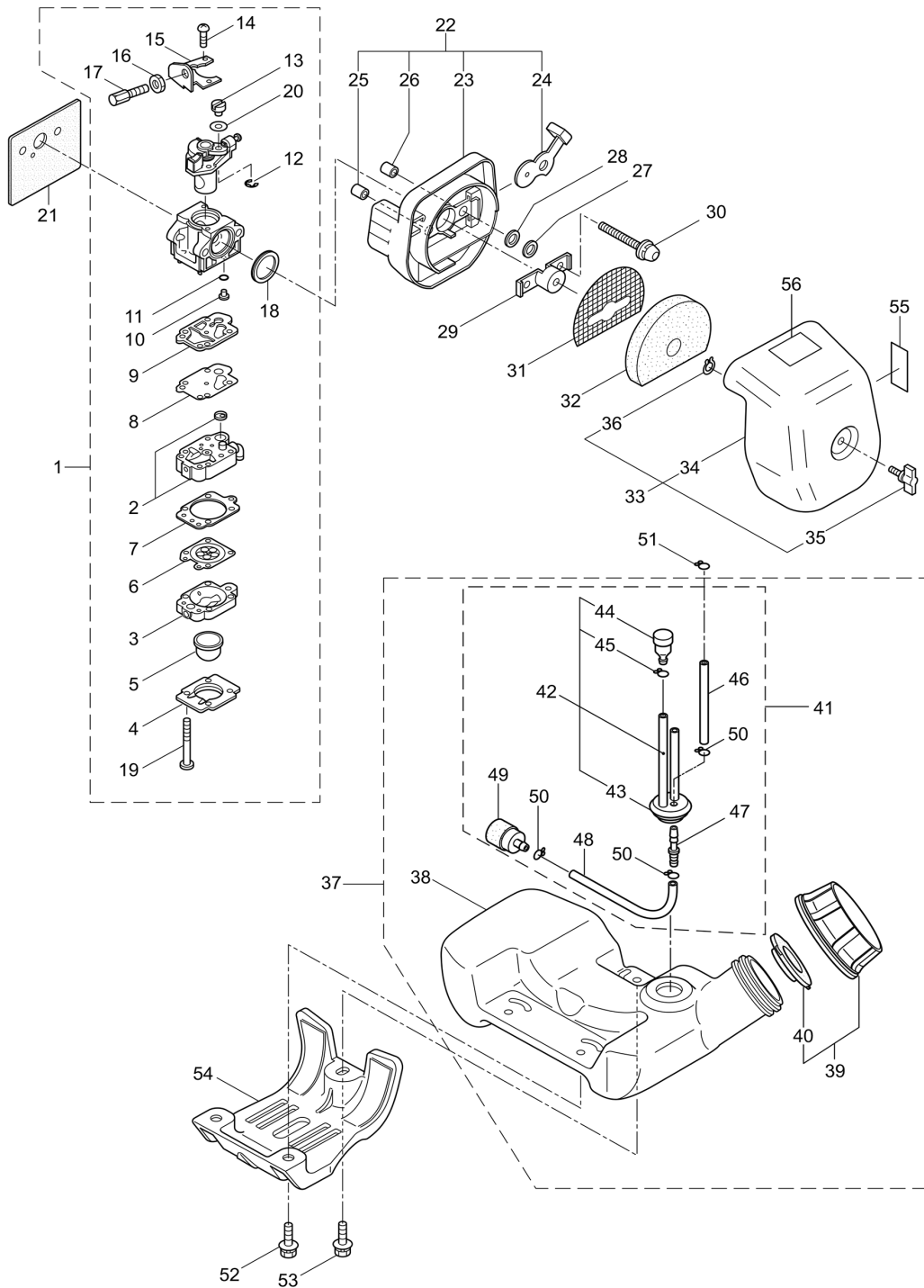


Status	Position	Parts Number	Parts Name	Unit Quantity	Set Unit Quantity	Specification	Remarks	Maker code
	1	859744	CE260/60(B261L-T)	1			CE260/60	
	2	283734	CYLINDER	1				
	3	283783	GASKET	1		T1.0		
	4	261250	CAP SCREW	4	5	M5X20	M5x20	
	5	269144	INSULATOR	1		DE260	New gasket required	
	6	267049	GASKET	1	5			
	7	265924	CAP SCREW	2	5	M5X25WSW+オ	M5x25	
	8	282208	MUFFLER ASSY	1			Incl.9-12	
	9	282209	MUFFLER COMP	1		シヨカハ イキ		
	10	267056	SPARK ARRESTER	1				
	11	268171	MUFFLER TAIL	1				
	12	265107	CAP SCREW	2	5	M4X10	M4x10	
	13	284071	HOLDER	1				
	14	283940	GASKET	1				
	15	266402	CAP SCREW	2	5	M5X557ランジ	M5x55	
	16	281435	UNDER COVER	1		クワ CE300		
	17	267191	CAP SCREW	1	5	M5X16WSW+オ	M5x16	
	18	284953	TOP COVER ASSY	1		CE3007オ	Incl.19-22	
	19	284929	TOP COVER	1		7オ		
	20	261018	KNOB BOLT	1		クワ(N1.5)		
	21	261020	SPACER	1				
	22	261734	SNAP RING	1	5	ヨビ 5	#5	
	23	289582	CRANKCASE	1				
	24	280488	BEARING 6001C3	2		6001 C3リハ ット	PPL 6001	
	25	261492	OIL SEAL	1		ISCD122877グ リスタシ	ISCD12287	
	26	261386	OIL SEAL	1		ISCD122277グ リスタシ	ISCD12227	
	27	055185	SNAP RING #28	1	5	7ナヨウ28	#28	
	28	261612	CAP SCREW	3		M5X30	M5x30	
	29	281442	AIR INTAKE GRILLE (BLACK)	1		クワ		
	30	272809	PISTON	1		CE260		
	31	261496	PISTON RING	2			(2)Required	
	32	261497	PISTON PIN	1		5.7X8X27.5		
	33	261037	BEARING NEEDLE KBK8X11X11.8X1	1		KBK8X11X11.8X1	KBK8x11x11.8x1	
	34	261576	CLIP PISTON	2				
	35	265197	CRANKSHAFT CPL.	1				
	36	267327	CLUTCH ASSY	1		56ヨウクワツチ シヨウケツ	Incl.37,38	
	37	267342	CLUTCH SHOE	2			(2)required	
	38	267345	SPRING	1				
	39	264505	BOLT	2				
	40	261189	WASHER	2	5	6X16.5XT1.2	6x16.5xt1.2	
	41	261777	WAVE WASHER	2	5			
	42	281433	FAN COVER	1		シヨツトシヨリ		
	43	261250	CAP SCREW	4	5	M5X20	M5x20	
	44	283729	MAGNETO ASSY	1			Incl.45-53	
	45	268253	ROTOR/FAN	1		10701A39431		
	46	283705	IGNITION COIL ASSY	1			Incl.47-53	
	47	283730	COIL	1				
	48	261072	CAP	1		イダ 10855-40101		
	49	283731	TUBE	1				
	50	283732	CORD ASSY	1			Incl.51-53	
	51	283733	CORD	1				
	52	261075	CONNECTOR	1		10805-40061		
	53	261074	PLUG BOOT	1		10855-40131		
	54	261076	WOODRUFF KEY 3X10	1	5	Aシ 3X10	3x10	
	55	261417	NUT ROTOR M8	1	5	M8	M8	
	56	280381	SPACER	2	5			
	57	261256	BOLT	2	5	M4X25	M4x25	
	58	285982	SPARK PLUG(BPM8Y)	1		NGK BPM8Y	NGK BPM8Y	
	59	261772	LEAD	1		175ビ7HCBH		
	60	268044	LEAD	1		135M4 CBH		

Status	Position	Parts Number	Parts Name	Unit Quantity	Set Unit Quantity	Specification	Remarks	Maker code
	61	269189	GROMMET	1		クワ		
	62	264588	CLAMP	1	5			
	63	283477	RECOIL STARTER ASSY	1		ﾀﾞﾝﾊﾞｰ	Incl.64-72	
	64	283504	REEL	1		A54108170001		
	65	283505	CAM PLATE	1		A54308130201		
	66	283506	DUMPER SPRING	1		A52408170300		
	67	280931	SPIRAL SPRING	1				
	68	267213	SCREW	1				
	69	283578	ROPE ASSY	1			Incl.70-72	
	70	283579	STARTER ROPE	1		3MM X 870L		
	71	261725	STARTER GRIP	1				
	72	283511	ROPE STOPPER	1		A57302611810		
	73	283575	STARTER PULLEY	1		ﾀﾞﾝﾊﾞｰｺﾞ		
	74	284698	ADAPTER ASSY	1		クワ CE23ｱｼﾞｽﾄﾖｸ		
	75	283391	SCREW	2	5	M4X20WSW+ﾐ/3ｶ B	M4x20	
	76	265726	CAP SCREW	4	5	M4X16ﾒｯｸｯｷ	M4x16	
	77	282096	SCREW	1	5	M4X16ﾒｯｸｯｷﾄﾞﾘ	M4x16WSW	
	78	275407	LABEL	1		B261L-T CER260	B261L-T	
	79	275408	LABEL	1		B261L-T	B261L-T	

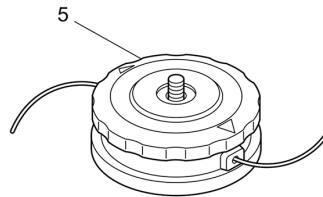
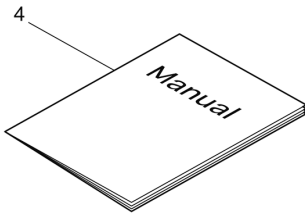
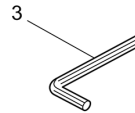
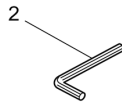
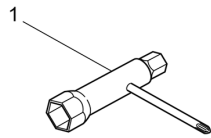


### 4. B261L-T CARBURETOR, FUEL TANK



Status	Position	Parts Number	Parts Name	Unit Quantity	Set Unit Quantity	Specification	Remarks	Maker code
	1	283898	CARBURETOR ASSY	1		WYJ-450	Incl.2-20 New gasket required	
	2	264155	CARBURETOR BODY	1		WB5-2582		
	3	262991	PURGE BODY	1		WB5-2557		
	4	262992	COVER	1		WB21-3147		
	5	261874	PRIMER	1		WB188-12		
	6	283905	DIAPHRAGM METERRING	1		WB95-614		
	7	262993	GASKET	1		WB92-359		
	8	262994	DIAPHRAGM	1		WB95-99		
	9	282576	GASKET	1		WB92-415		
	10	281487	JET	1		WB112-3070-370L	#37	
	11	261871	O-RING	1		WB16-104		
	12	261876	RING	1		WB16-71		
	13	261658	SWIVEL	1		WB52-34		
	14	261875	SCREW	2		WB96-323		
	15	264677	BRACKET	1		WB167-143		
	16	261878	NUT	1	5	M6 3 $\times$ 1		
	17	263994	SCREW	1		WB96-462 10 $\times$ 7		
	18	261657	PACKING	1		WB16-171		
	19	262996	SCREW	4	5	WB96-425		
	20	264678	WASHER	1	5	WB136-221		
	21	269762	GASKET	1				
	22	268055	AIR FILTER HOUSING ASSY	1			Incl.23-26	
	23	268056	AIR FILTER CASE	1		チヨ-クタイ <sup>7</sup>		
	24	268057	MACHINED DISC	1				
	25	268157	SLEEVE	1		5.5X7.1X6	5.5x7.1x6L	
	26	268412	SLEEVE	1		5.2X7.1X6.4	5.5x7.1x6.4L	
	27	263345	PACKING	1	5	7.2X11XT1.3	7.2x11xt1.3	
	28	263942	WASHER	1	5	7.2X12XT0.15	7.2x12xt0.15	
	29	263815	STAY	1				
	30	264016	CAP SCREW	2	5	M5X60	M5x60	
	31	265026	SCREEN	1				
	32	265027	FORM ELEMENT	1				
	33	268058	AIR FILTER COVER ASSY	1			Incl.34-36	
	34	268059	AIR FILTER COVER	1				
	35	281438	KNOB	1				
	36	261734	SNAP RING	1	5	3 $\times$ 5	#5	
	37	289034	FUEL TANK ASSY	1		A46B95C154D52	Incl.38-50	
	38	284820	FUEL TANK	1		CE300 タ <sup>7</sup> ウ		
	39	289043	FUEL TANK CAP ASSY	1			Incl.40	
	40	287058	GASKET	1				
	41	289035	FUEL PIPE PICKUP ASSY	1			Incl.42-50	
	42	289036	FUEL PIPE ASSY	1			Incl.43-45	
	43	268065	GROMMET	1		3 $\times$ 7		
	44	261590	BREATHER SUB ASSY	1				
	45	261117	CLIP	1				
	46	289028	PIPE A	1		3X5X53L	3x5x53L	
	47	288921	JOINT	1				
	48	289033	PIPE	1		3X5X100L	3x5x100L	
×	49	264653	FILTER ASSY	1		125-552		
	50	261117	CLIP	3				
	51	261117	CLIP	1				
	52	281714	CAP SCREW	2		M5X20WSW-12	M5x20	
	53	281715	SCREW	1		M5X20WSW-12+ $\phi$	M5x20	
	54	281441	STAND	1		ク		
	55	261352	MARK--LABEL	1		チヨ-ク	Choke	
	56	285188	LABEL	1		CA <sup>7</sup> ス <sup>7</sup> -ク <sup>7</sup> ア <sup>7</sup> ス <sup>7</sup> ク <sup>7</sup> イ <sup>7</sup> ク		

5. B261L-T  
ACCESSORIES



Status	Position	Parts Number	Parts Name	Unit Quantity	Set Unit Quantity	Specification	Remarks	Maker code
--------	----------	--------------	------------	---------------	-------------------	---------------	---------	------------

Status	Position	Parts Number	Parts Name	Unit Quantity	Set Unit Quantity	Specification	Remarks	Maker code
	1	210418	BOX SPANNER	1		13X19X(+) <sup>ト</sup> ライハ <sup>ク</sup>	13x19x(+)	
	2	219431	SPANNER	1		ニメソハハ <sup>ク</sup> 3	3mm	
	3	219432	WRENCH	1		ニメソハハ <sup>ク</sup> 4	4mm	
	4	237291	INSTRUCTION MANUAL	1		B261L-T	B261L-T	
	5	234704	M-TWIST(L)4	1		ヒダ <sup>ク</sup> リM8オネシ <sup>ク</sup> /1ライン		