

PARTS LIST

H23FL

CONTENTS

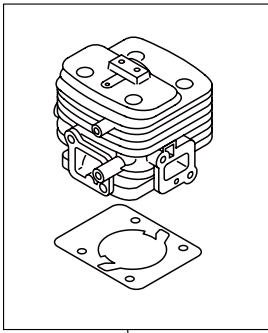
| | |
|--------------------------------|----|
| 0A. PARTS KIT | 1 |
| 1. MAIN BOY | 3 |
| 2. ENGINE | 7 |
| 3. CARBURETOR, FUEL TANK | 11 |
| 4. ACCESSORIES | 13 |

2023. 07.

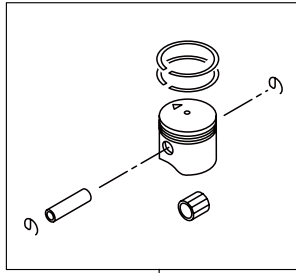


P/N 524362-1

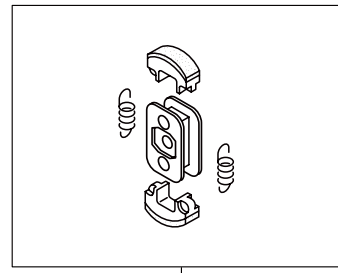
H23FL
0A. PARTS KIT



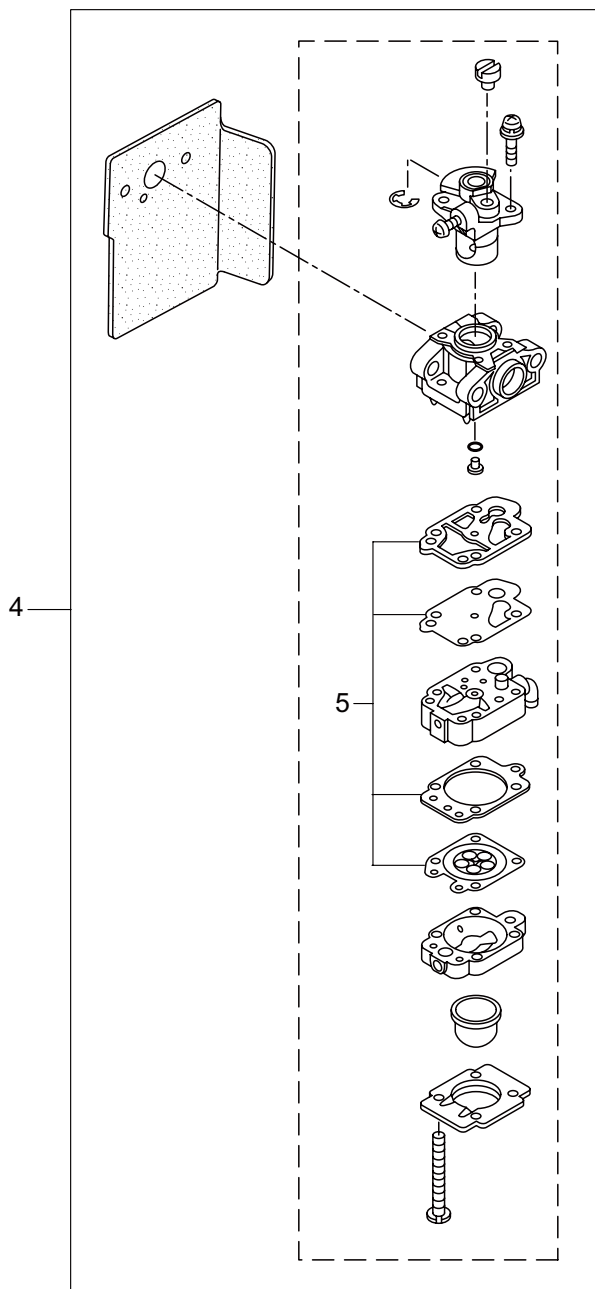
1



2

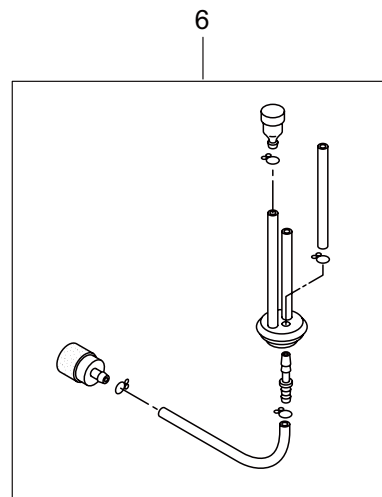


3



4

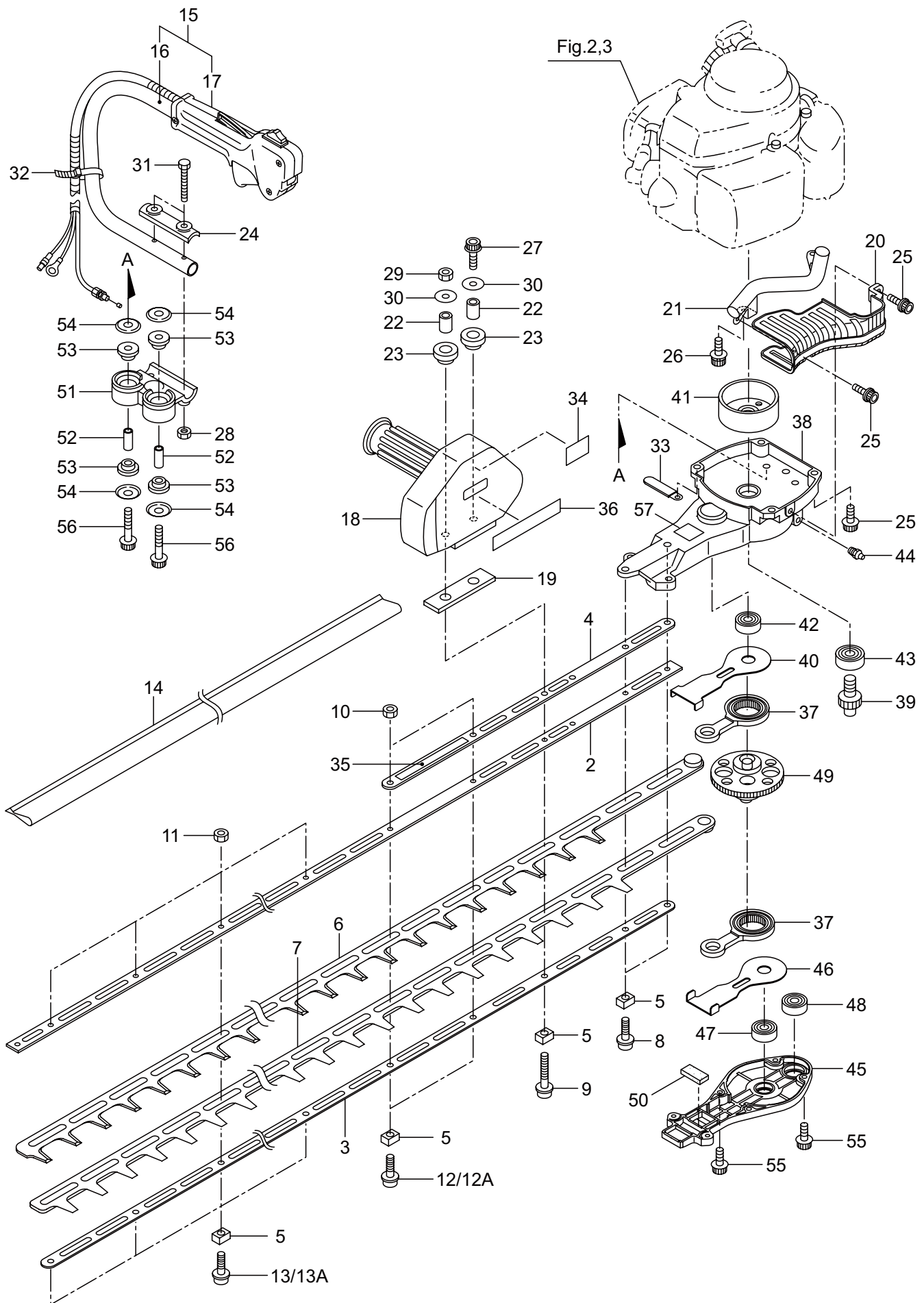
5



6

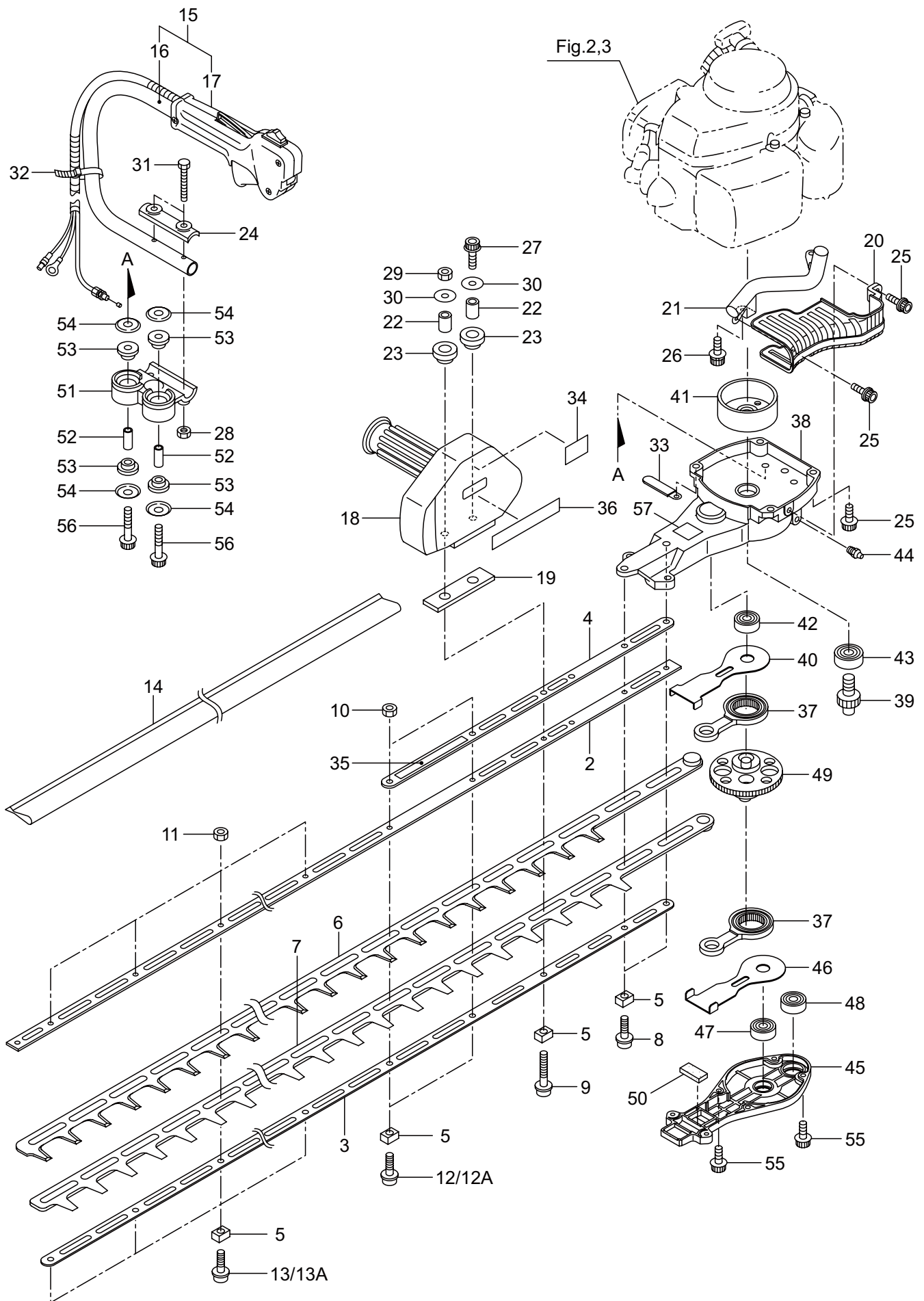
| Ref. No. | Part No. | Part Name | Q'ty | Remarks |
|----------|----------|-------------------------|------|---------|
| 0A-1 | 247672 | Cylinder Kit | 1 | |
| 0A-2 | 247673 | Piston Kit | 1 | |
| 0A-3 | 247660 | Clutch Kit | 1 | |
| 0A-4 | 247883 | Carburetor Kit | 1 | Incl.5 |
| 0A-5 | 247867 | Carburetor Parts Kit | 1 | |
| 0A-6 | 289279 | Fuel Pipe Pick-up Ass'y | 1 | |
| | | | | |
| | | | | |
| | | | | |
| | | | | |
| | | | | |
| | | | | |
| | | | | |
| | | | | |
| | | | | |

H23FL
1. MAIN BOY



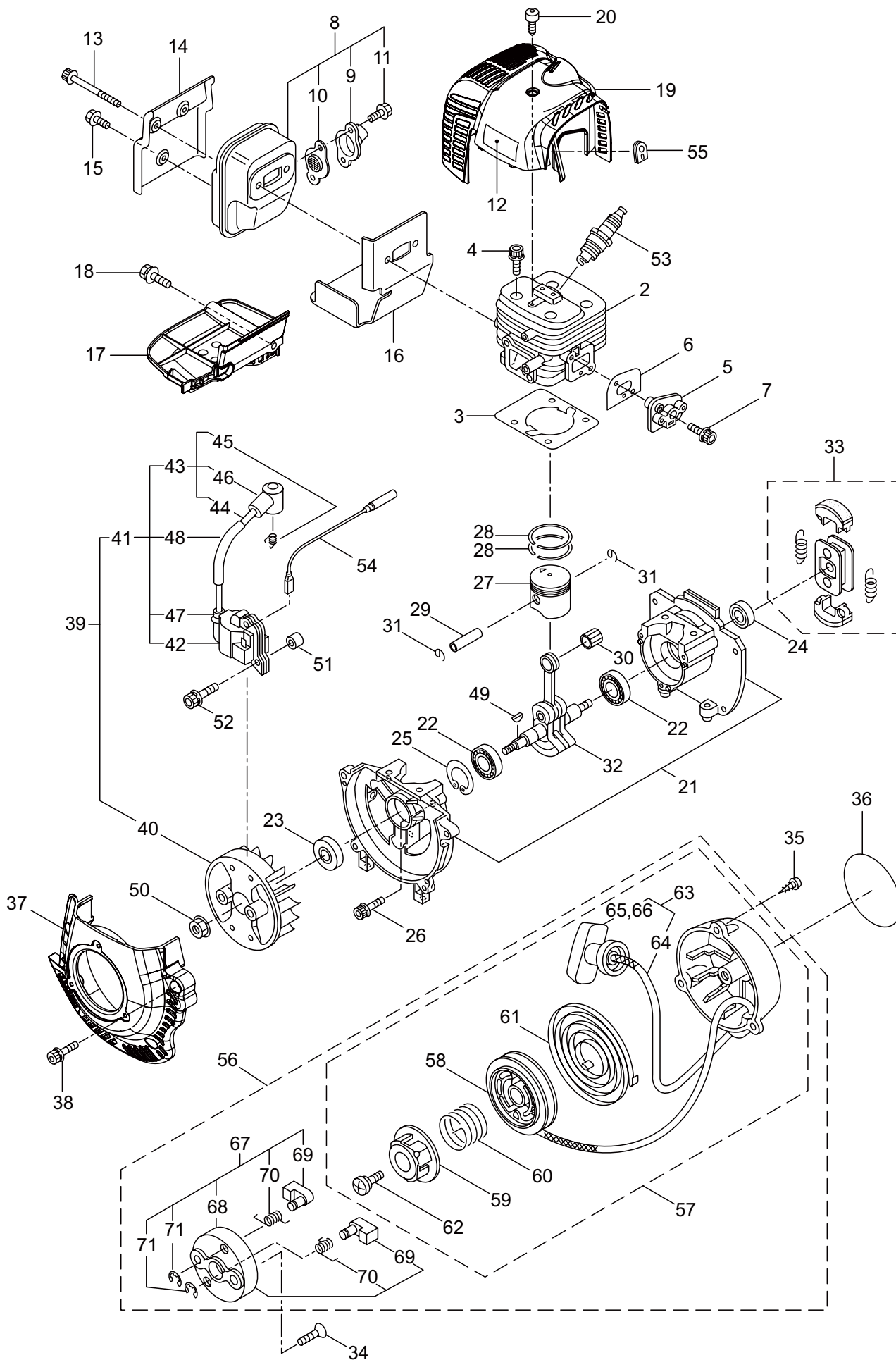
| Ref. No. | Part No. | Part Name | Q'ty | Remarks |
|----------|----------|--------------------|------|------------|
| 1-1 | 362409 | H23FL | 1 | |
| 1-2 | 277780 | Guide Plate | 1 | |
| 1-3 | 277781 | Under Support | 1 | |
| 1-4 | 277782 | Upper Support | 1 | |
| 1-5 | 271889 | Spacer | 11 | |
| 1-6 | 277783 | Upper Blade | 1 | |
| 1-7 | 277784 | Lower Blade | 1 | |
| 1-8 | 271897 | Screw | 2 | |
| 1-9 | 274282 | Screw | 1 | |
| 1-10 | 277785 | Nut | 2 | |
| 1-11 | 271899 | Nut | 6 | |
| 1-12 | 277530 | Screw | 2 | -2021.05 |
| 1-12A | 271898 | Screw | 2 | 2021.06- |
| 1-13 | 277786 | Screw | 6 | -2021.05 |
| 1-13A | 271896 | Screw | 6 | 2021.06- |
| 1-14 | 270069 | Cover of Blade | 1 | |
| 1-15 | 274240 | Left Handle Ass'y | 1 | Incl.16,17 |
| 1-16 | 274241 | Left Handle | 1 | |
| 1-17 | 274242 | Throttle Trigger | 1 | |
| 1-18 | 274293 | Right Handle Ass'y | 1 | |
| 1-19 | 274294 | Cushion A | 1 | |
| 1-20 | 271906 | Tail Pipe Cover | 1 | |
| 1-21 | 271907 | Tail Pipe Comp | 1 | |
| 1-22 | 274295 | Sleeve | 2 | |
| 1-23 | 274296 | Cushion B | 2 | |
| 1-24 | 577133 | Handle Fitting | 1 | |
| 1-25 | 271908 | Screw | 6 | |
| 1-26 | 271910 | Screw | 1 | |
| 1-27 | 274297 | Screw | 1 | |
| 1-28 | 991938 | Nut | 2 | M5 |
| 1-29 | 271899 | Nut | 1 | |
| 1-30 | 274298 | Washer | 2 | |
| 1-31 | 580796 | Bolt | 2 | M5x30 |
| 1-32 | 274299 | Band | 2 | |
| 1-33 | 274300 | Clamp | 1 | |
| 1-34 | 223925 | Label | 1 | Grease up |
| 1-35 | 277789 | Label | 1 | |
| 1-36 | 591449 | Label | 1 | |
| 1-37 | 271914 | Rod Ass'y | 2 | |
| 1-38 | 274284 | Upper Case | 1 | |
| 1-39 | 271919 | Pinion | 1 | |
| 1-40 | 271920 | Plate | 1 | |
| 1-41 | 270021 | Drum | 1 | |
| 1-42 | 271921 | Bearing | 1 | |
| 1-43 | 580767 | Bearing | 1 | #6001 2RS |

H23FL
1. MAIN BOY



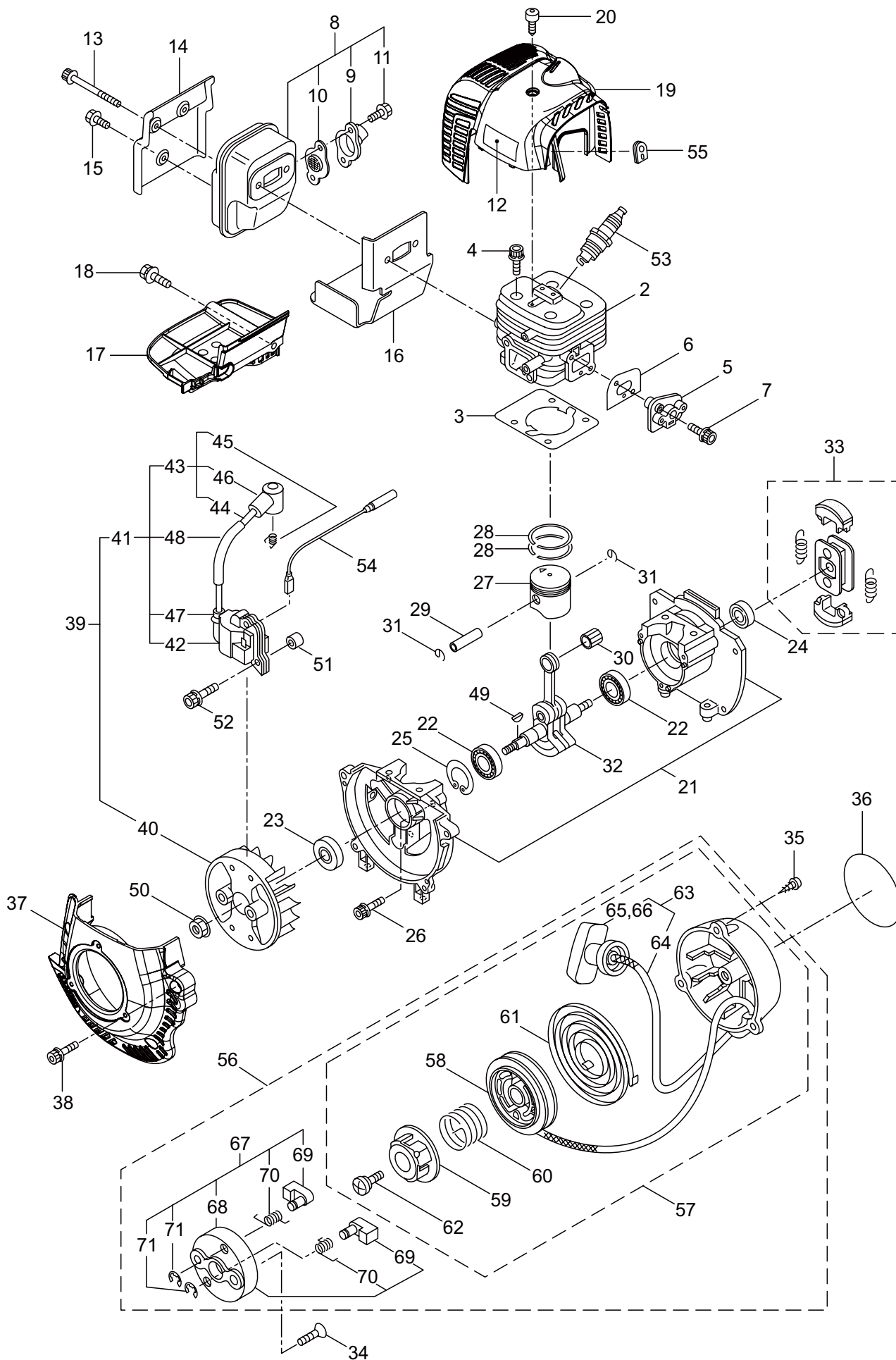
| Ref. No. | Part No. | Part Name | Q'ty | Remarks |
|----------|----------|----------------|------|---------|
| 1-44 | 991937 | Grease Nipple | 1 | M6 |
| 1-45 | 274286 | Lower Case | 1 | |
| 1-46 | 271924 | Plate | 1 | |
| 1-47 | 270423 | Bearing | 1 | |
| 1-48 | 271925 | Bearing | 1 | |
| 1-49 | 271926 | Crank Comp | 1 | |
| 1-50 | 271927 | Felt | 1 | |
| 1-51 | 577136 | Handle Bracket | 1 | |
| 1-52 | 274288 | Spacer | 2 | |
| 1-53 | 274289 | Cushion | 4 | |
| 1-54 | 274290 | Washer | 4 | |
| 1-55 | 271910 | Screw | 5 | |
| 1-56 | 274291 | Screw | 2 | |
| 1-57 | 266960 | Label | 1 | |
| | | | | |
| | | | | |
| | | | | |
| | | | | |
| | | | | |
| | | | | |
| | | | | |
| | | | | |

H23FL
2. ENGINE



| Ref. No. | Part No. | Part Name | Q'ty | Remarks |
|----------|----------|----------------------------|------|---------------------|
| 2-1 | 859967 | Engine | 1 | CE230H/09 |
| 2-2 | 288499 | Cylinder | 1 | |
| 2-3 | 286074 | Gasket | 1 | |
| 2-4 | 261250 | Cap Screw | 4 | M5x20 |
| 2-5 | 265802 | Insulator | 1 | New gasket required |
| 2-6 | 267049 | Gasket | 1 | |
| 2-7 | 265924 | Cap Screw | 2 | M5x25 |
| 2-8 | 277023 | Muffler Ass'y | 1 | Incl.9-11 |
| 2-9 | 288503 | Muffler Tail | 1 | |
| 2-10 | 288504 | Spark Arrestor | 1 | |
| 2-11 | 288542 | Screw | 2 | M4x8 |
| 2-12 | 277263 | Label | 1 | H23FL |
| 2-13 | 266402 | Cap Screw | 2 | M5x55 |
| 2-14 | 275562 | Muffler Guard | 1 | |
| 2-15 | 288542 | Screw | 1 | M4x8 |
| 2-16 | 275561 | Gasket | 1 | |
| 2-17 | 275560 | Under Cover | 1 | |
| 2-18 | 267191 | Cap Screw | 1 | M5x16 |
| 2-19 | 276564 | Top Cover Comp | 1 | |
| 2-20 | 286399 | Knob | 1 | M5 |
| 2-21 | 288537 | Crankcase | 1 | |
| 2-22 | 280488 | Bearing | 2 | PPL 6001 |
| 2-23 | 261492 | Oil Seal | 1 | ISCD12287 |
| 2-24 | 261386 | Oil Seal | 1 | ISCD12227 |
| 2-25 | 055185 | Snap Ring | 1 | H28 |
| 2-26 | 261246 | Cap Screw | 3 | M5x25 |
| 2-27 | 283379 | Piston | 1 | |
| 2-28 | 282177 | Piston Ring | 2 | |
| 2-29 | 261036 | Piston Pin | 1 | |
| 2-30 | 263957 | Bearing, Needle | 1 | KTV81112EG01 B2 |
| 2-31 | 261576 | Clip,Piston | 2 | |
| 2-32 | 246387 | Crankshaft/Conn. Rod Ass'y | 1 | |
| 2-33 | 246054 | Clutch Ass'y | 1 | |
| 2-34 | 264535 | Screw | 2 | M6x20 |
| 2-35 | 280144 | Tapping Screw | 3 | 4X16 |
| 2-36 | 277262 | Label | 1 | H23FL |
| 2-37 | 275557 | Fan Cover | 1 | |
| 2-38 | 261250 | Cap Screw | 4 | M5x20 |
| 2-39 | 288514 | Magneto Ass'y | 1 | Incl.40-48 |
| 2-40 | 288515 | Rotor/Fan | 1 | |
| 2-41 | 288516 | Ignition Coil Ass'y | 1 | Incl.42-48 |
| 2-42 | 289483 | Coil | 1 | |
| 2-43 | 289484 | Spark Plug Wire Ass'y | 1 | Incl.44-46 |
| 2-44 | 289485 | Spark Plug Wire | 1 | |
| 2-45 | 272805 | Connector | 1 | |

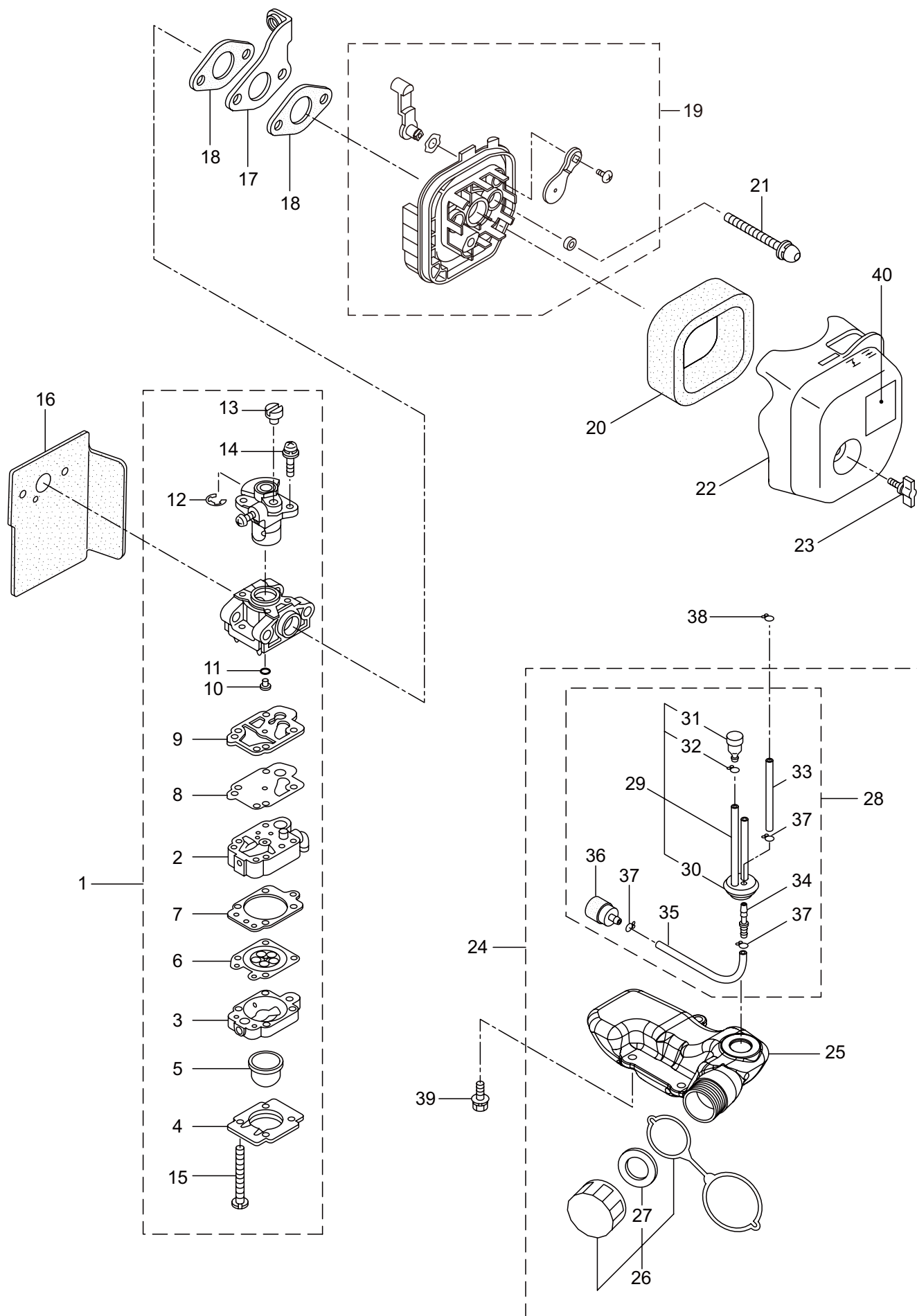
H23FL
2. ENGINE



| Ref. No. | Part No. | Part Name | Q'ty | Remarks |
|----------|----------|----------------------|------|------------|
| 2-46 | 283178 | Plug Boot | 1 | |
| 2-47 | 283271 | Cap | 1 | |
| 2-48 | 289486 | Insulator | 1 | |
| 2-49 | 261076 | Woodruff Key | 1 | 3x10 |
| 2-50 | 261417 | Nut,Rotor | 1 | M8 |
| 2-51 | 280381 | Spacer | 2 | |
| 2-52 | 261256 | Cap Screw | 2 | M4x25 |
| 2-53 | 285982 | Spark Plug | 1 | NGK BPM8Y |
| 2-54 | 261772 | Lead | 1 | |
| 2-55 | 283140 | Grommet | 1 | |
| 2-56 | 283171 | Recoil Starter Ass'y | 1 | Incl.57-71 |
| 2-57 | 283172 | Starter Ass'y | 1 | Incl.58-66 |
| 2-58 | 286363 | Reel | 1 | |
| 2-59 | 286364 | Cam Plate | 1 | |
| 2-60 | 283290 | Spring | 1 | |
| 2-61 | 280931 | Spiral Spring | 1 | |
| 2-62 | 267213 | Screw | 1 | |
| 2-63 | 283291 | Rope Ass'y | 1 | Incl.64-66 |
| 2-64 | 283292 | Starter Rope | 1 | |
| 2-65 | 261725 | Starter Grip | 1 | |
| 2-66 | 283293 | Rope Stopper | 1 | |
| 2-67 | 283173 | Starter Pulley Ass'y | 1 | Incl.68-71 |
| 2-68 | 283294 | Starter Pulley | 1 | |
| 2-69 | 280936 | Ratchet | 2 | |
| 2-70 | 283295 | Spring | 2 | |
| 2-71 | 020299 | E-Ring | 2 | #4 |
| | | | | |
| | | | | |
| | | | | |

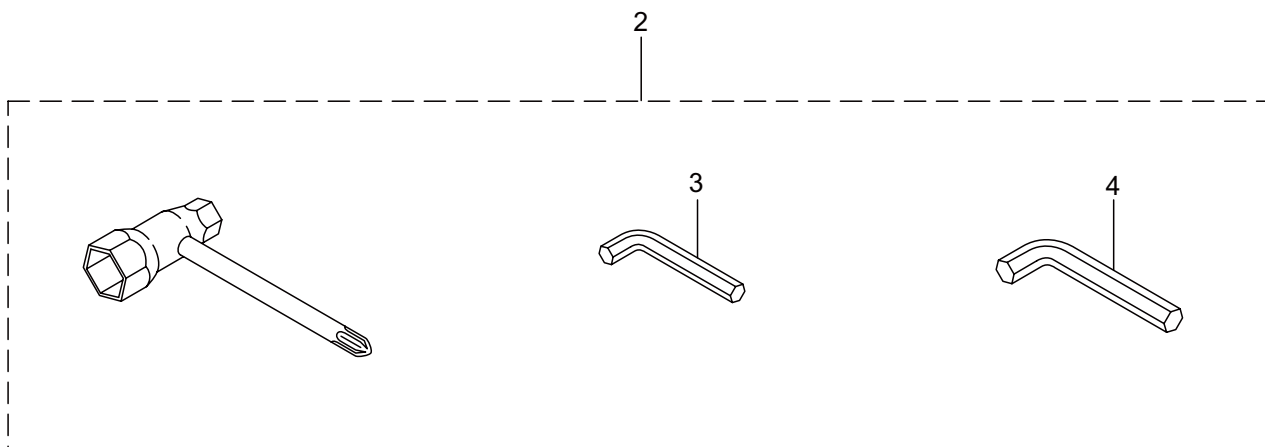
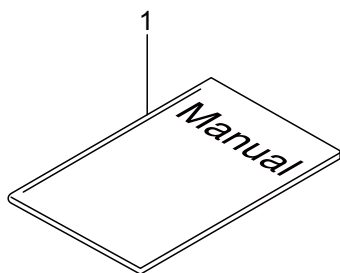
H23FL

3. CARBURETOR, FUEL TANK



| Ref. No. | Part No. | Part Name | Q'ty | Remarks |
|----------|----------|-------------------------|------|------------|
| 3-1 | 277126 | Carburetor Ass'y | 1 | Incl.2-15 |
| 3-2 | 268499 | Pump Body | 1 | |
| 3-3 | 247116 | Purge Body | 1 | |
| 3-4 | 262992 | Cover Plate | 1 | |
| 3-5 | 261874 | Primer Bulb | 1 | |
| 3-6 | 283905 | Diaphragm, Metering | 1 | |
| 3-7 | 262993 | Gasket | 1 | |
| 3-8 | 262994 | Diaphragm,Fuel Pump | 1 | |
| 3-9 | 282576 | Gasket | 1 | |
| 3-10 | 289396 | Main Jet | 1 | |
| 3-11 | 261871 | O-Ring | 1 | |
| 3-12 | 261876 | E-Ring | 1 | |
| 3-13 | 261658 | Swivel | 1 | |
| 3-14 | 264682 | Screw | 2 | |
| 3-15 | 262996 | Screw | 4 | |
| 3-16 | 288517 | Gasket | 1 | |
| 3-17 | 283773 | Stay | 1 | |
| 3-18 | 283771 | Gasket | 2 | |
| 3-19 | 248152 | Case Ass'y | 1 | |
| 3-20 | 277320 | Element | 1 | |
| 3-21 | 262720 | Cap Screw | 2 | M5x55 |
| 3-22 | 283772 | Cleaner Cover | 1 | Incl.25-37 |
| 3-23 | 281438 | Knob | 1 | |
| 3-24 | 277028 | Fuel Tank Ass'y | 1 | |
| 3-25 | 275618 | Fuel Tank | 1 | |
| 3-26 | 289046 | Tank Cap Ass'y | 1 | Incl.27 |
| 3-27 | 287058 | Gasket | 1 | Incl.29-37 |
| 3-28 | 289279 | Fuel Pipe Pick-up Ass'y | 1 | |
| 3-29 | 289280 | Fuel Pipe Ass'y | 1 | |
| 3-30 | 268065 | Grommet | 1 | Incl.30-32 |
| 3-31 | 289451 | Breather | 1 | 3x5x53L |
| 3-32 | 261117 | Clip | 1 | |
| 3-33 | 289028 | Pipe A | 1 | |
| 3-34 | 288921 | Joint | 1 | |
| 3-35 | 289029 | Pipe | 1 | |
| 3-36 | 277887 | Filter Ass'y | 1 | M5x18 |
| 3-37 | 261117 | Clip | 3 | |
| 3-38 | 261117 | Clip | 1 | |
| 3-39 | 269690 | Cap Screw | 4 | |
| 3-40 | 285188 | Label | 1 | |
| | | | | |

H23FL
4. ACCESSORIES



| Ref. No. | Part No. | Part Name | Q'ty | Remarks |
|----------|----------|--------------------|------|----------|
| 4-1 | 277076 | Instruction Manual | 1 | |
| 4-2 | 264606 | Tool Set | 1 | Incl.3,4 |
| 4-3 | 219431 | Wrench | 1 | 3mm |
| 4-4 | 219432 | Wrench | 1 | 4mm |
| | | | | |
| | | | | |
| | | | | |
| | | | | |
| | | | | |
| | | | | |
| | | | | |
| | | | | |
| | | | | |
| | | | | |
| | | | | |