

PARTS LIST

MS417

CONTENTS

| | |
|-----------------------------------|---|
| 1. CRANKCASE, SUCTION VALVE | 1 |
| 2. PURESSURE REGULATOR VALVE..... | 5 |
| 3. ACCESSORIES | 9 |

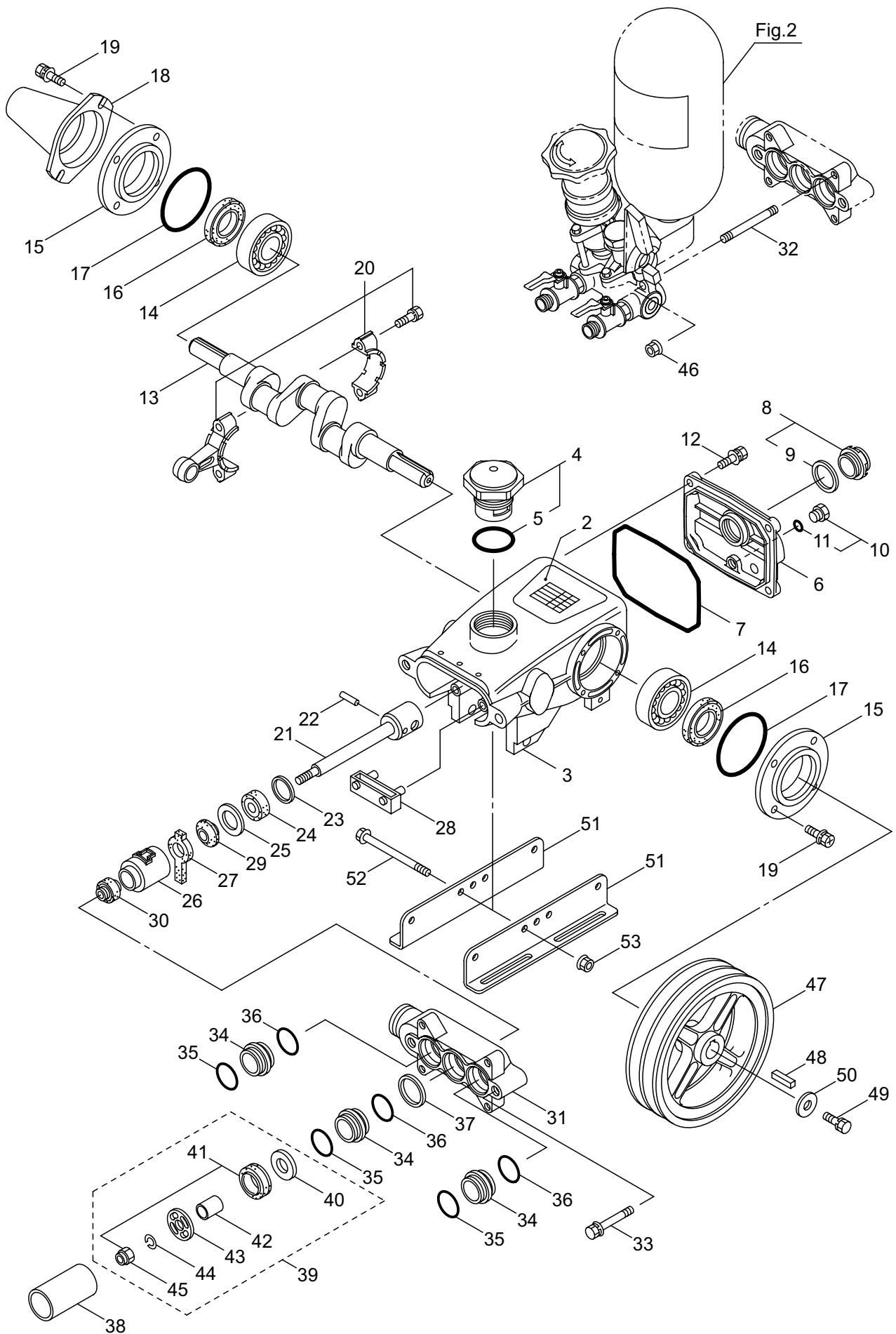
2022. 01.



P/N 525335

MS417

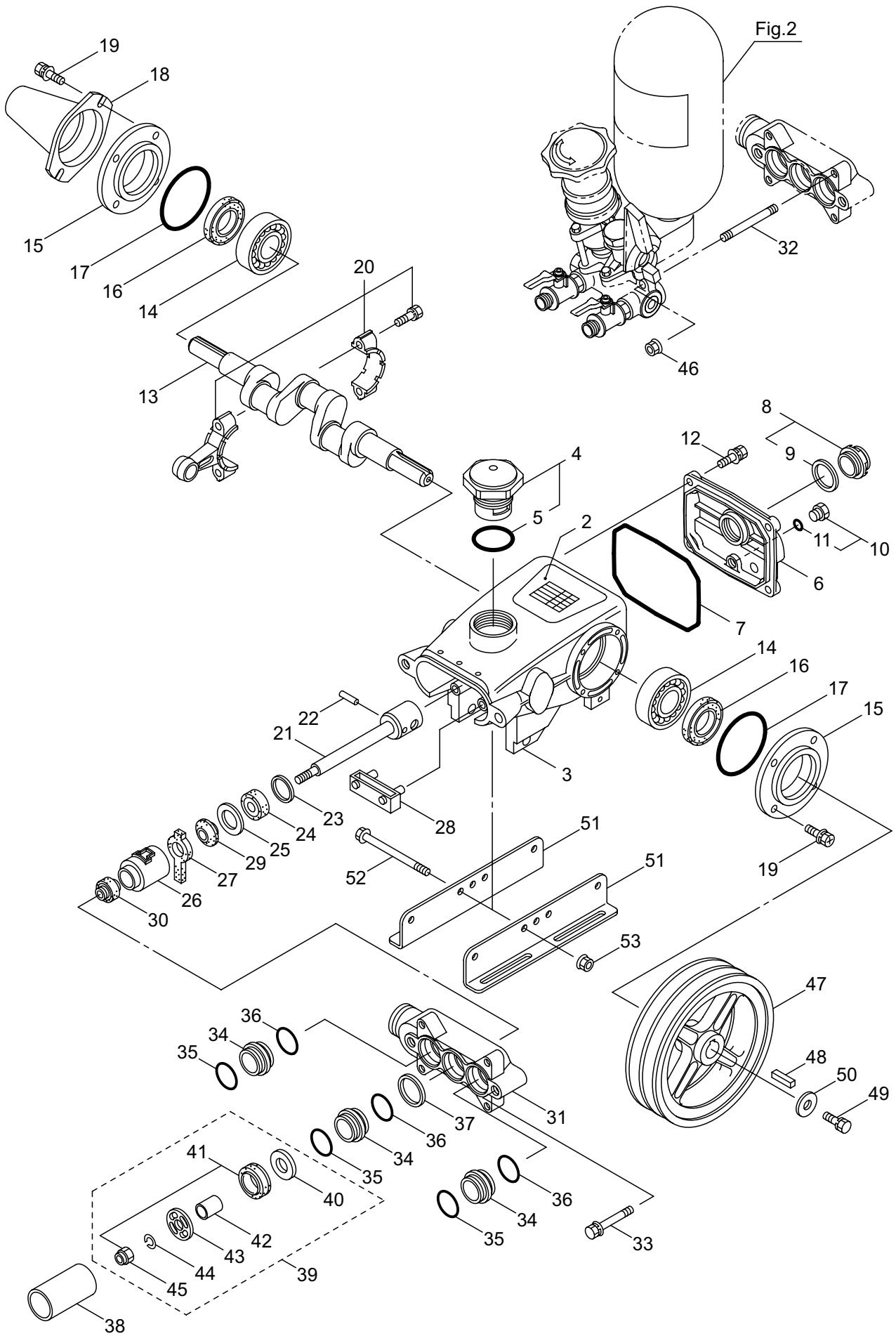
1. CRANKCASE, SUCTION VALVE



| Ref. No. | Part No. | Part Name | Q'ty | Remarks |
|----------|----------|----------------------|------|---------------|
| 1-1 | 354230 | MS417 | 1 | |
| 1-2 | 664527 | Label | 1 | MS417 |
| 1-3 | 664426 | Ceankcase | 1 | |
| 1-4 | 091264 | Oil Filler Cap | 1 | Incl.5 |
| 1-5 | 014177 | O-Ring | 1 | P35 |
| 1-6 | 664481 | Crankcase Cover | 1 | |
| 1-7 | 048773 | O-Ring | 1 | 119x96x2.0 |
| 1-8 | 092241 | Oil Gauge Ass'y | 1 | Incl.9 |
| 1-9 | 044428 | Packing | 1 | 25x34xt2 |
| 1-10 | 091376 | Drain Plug | 1 | Incl.11, G1/4 |
| 1-11 | 023170 | O-Ring | 1 | P12.5 |
| 1-12 | 125824 | Bolt | 4 | M6x16 |
| 1-13 | 103921 | Crankshaft | 1 | |
| 1-14 | 014487 | Bearing | 2 | #6304 |
| 1-15 | 664460 | Oil Seal Case | 2 | |
| 1-16 | 024159 | Oil Seal | 2 | D204010 |
| 1-17 | 026536 | O-Ring | 2 | 51.8x1.5 |
| 1-18 | 025130 | Shaft Protector | 1 | |
| 1-19 | 125824 | Bolt | 8 | M6x16 |
| 1-20 | 048734 | Connecting Rod Ass'y | 3 | |
| 1-21 | 120827 | Piston Rod | 3 | |
| 1-22 | 016948 | Piston Pin | 3 | 9x22L |
| 1-23 | 126259 | Washer | 3 | 17x24xT1.2 |
| 1-24 | 025461 | Oil Seal | 3 | S10.5247 |
| 1-25 | 126189 | Washer | 3 | 20x28xT1.2 |
| 1-26 | 027710 | Seal Retainer | 3 | |
| 1-27 | 130515 | Felt Packing | 3 | |
| 1-28 | 027712 | Oil Pan | 1 | |
| 1-29 | 026853 | Packing | 3 | |
| 1-30 | 100015 | Seal | 3 | |
| 1-31 | 105507 | Inlet Manifold | 1 | |
| 1-32 | 130492 | Stud | 4 | M8x110x11x18 |
| 1-33 | 128352 | Bolt | 2 | M8X45 |
| 1-34 | 130534 | Adapter | 3 | |
| 1-35 | 015862 | O-Ring | 3 | P21 |
| 1-36 | 023172 | O-Ring | 3 | P22 |
| 1-37 | 105508 | Packing | 1 | 26x28.5xt0.5 |
| 1-38 | 108065 | Cylinder Pipe | 3 | 25x28.5x55L |
| 1-39 | 632583 | Inlet Valve Ass'y | 3 | Incl.40-45 |
| 1-40 | 014122 | Inlet Valva Seat | 3 | 6.1x20xt2.8 |
| 1-41 | 632586 | Piston Packing Set | 3 | Incl.45 |
| 1-42 | 027499 | Spacer | 3 | 6x8.5x11L |
| 1-43 | 119917 | Retainer, Piston | 3 | |
| 1-44 | 015849 | Spring Washer | 3 | M6 |
| 1-45 | 046365 | Nylon Nut | 3 | M6 |

MS417

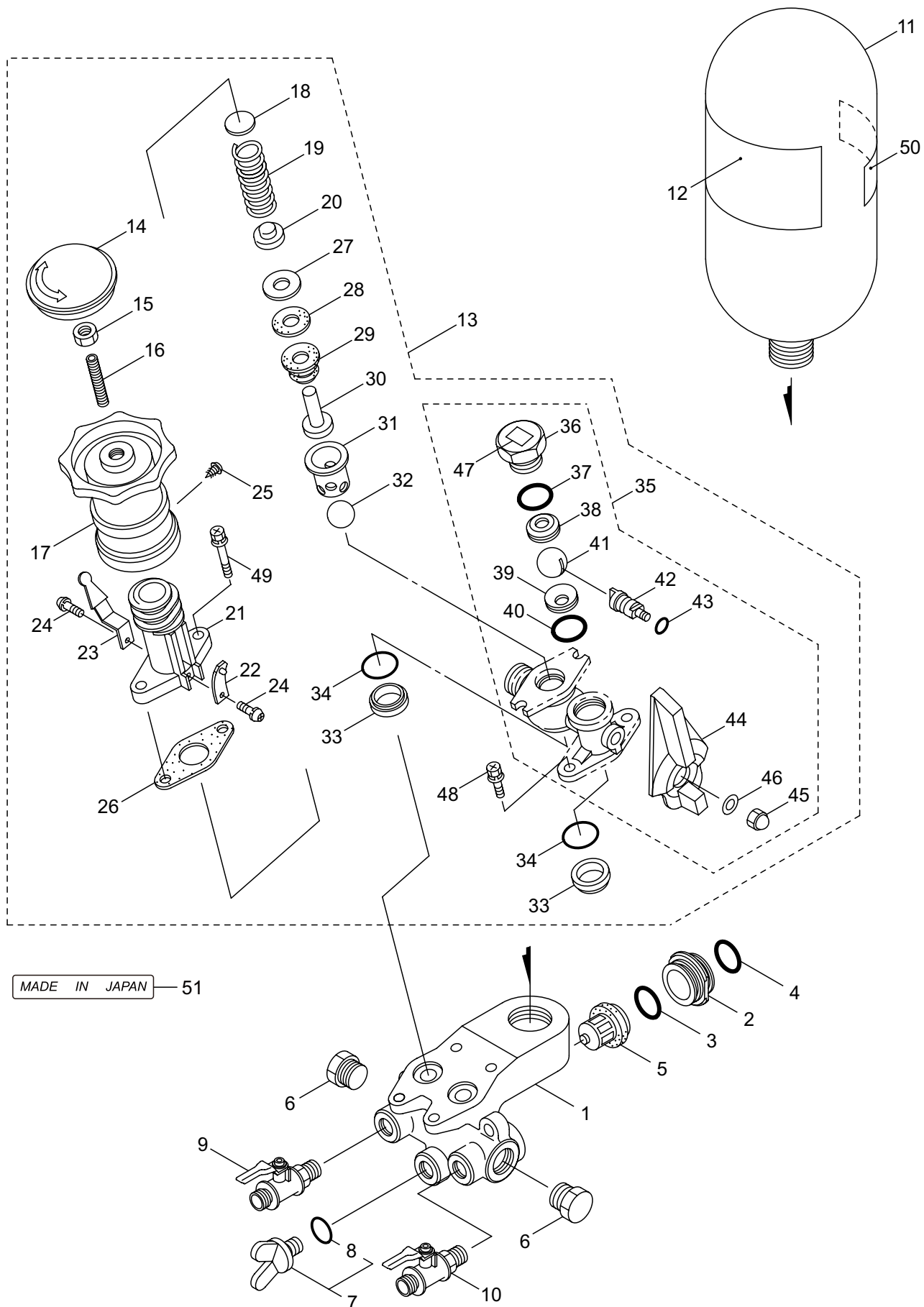
1. CRANKCASE, SUCTION VALVE



| Ref. No. | Part No. | Part Name | Q'ty | Remarks |
|----------|----------|-----------|------|-------------|
| 1-46 | 126201 | Nut | 4 | M8 |
| 1-47 | 100837 | V-Pulley | 1 | 152-Ax2 |
| 1-48 | 014543 | Key | 1 | 5x5x25L |
| 1-49 | 126258 | Bolt | 1 | M8x20 |
| 1-50 | 126198 | Washer | 1 | 8.5x30xT3.2 |
| 1-51 | 117633 | Rail | 2 | |
| 1-52 | 126200 | Bolt | 2 | M8x115x30 |
| 1-53 | 126201 | Nut | 2 | M8 |
| | | | | |
| | | | | |
| | | | | |
| | | | | |
| | | | | |
| | | | | |
| | | | | |
| | | | | |
| | | | | |
| | | | | |

MS417

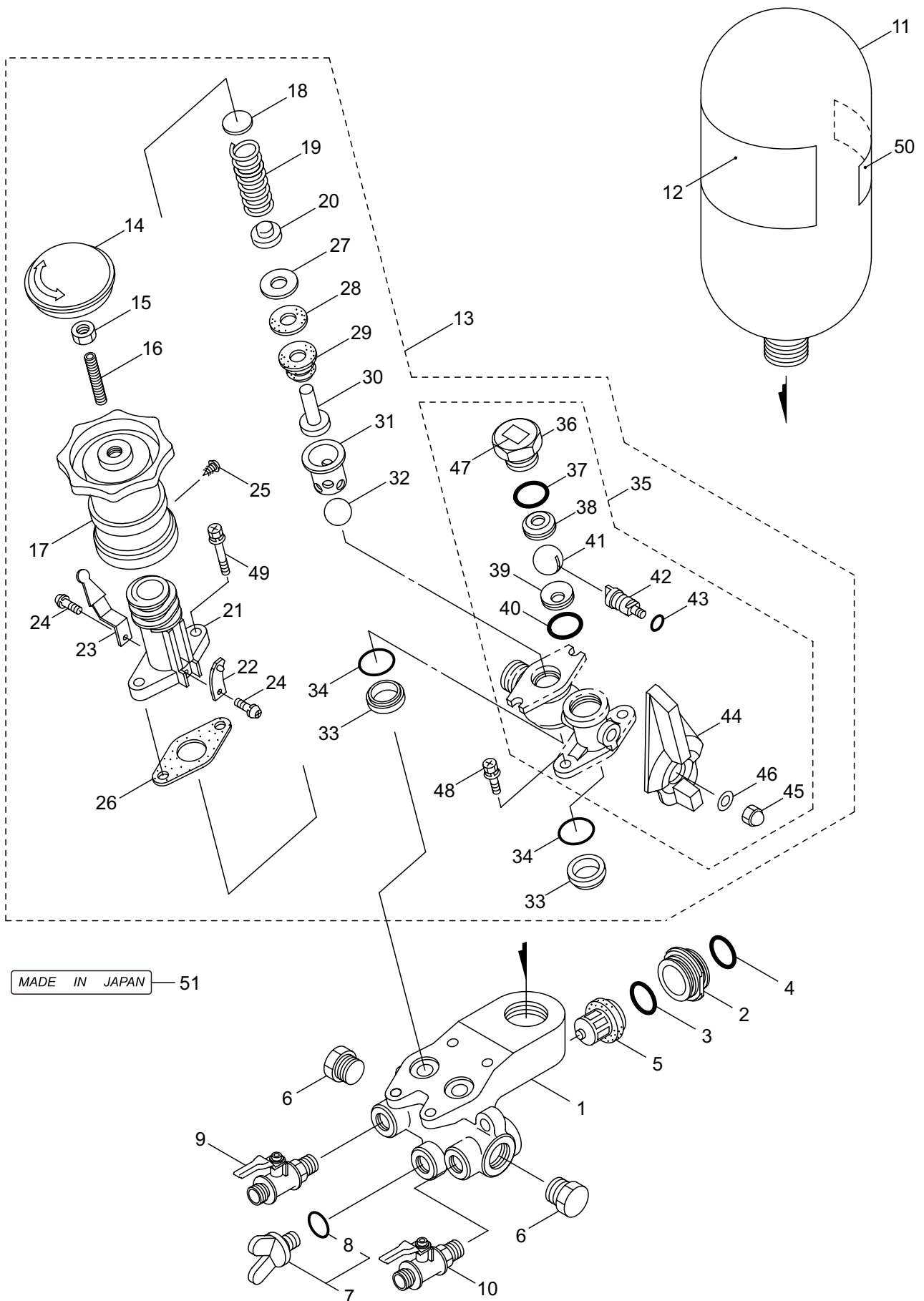
2. PURESSURE REGULATOR VALVE



| Ref. No. | Part No. | Part Name | Q'ty | Remarks |
|----------|----------|--------------------------------|------|-----------------|
| 2-1 | 120831 | Discharge Manifold | 1 | |
| 2-2 | 130537 | Adapter | 3 | |
| 2-3 | 023172 | O-Ring | 3 | P22 |
| 2-4 | 015862 | O-Ring | 3 | P21 |
| 2-5 | 120276 | Discharge Valve Ass'y | 3 | |
| 2-6 | 108368 | Plug | 2 | R1/2 |
| 2-7 | 632737 | Plug Ass'y | 1 | Incl.8 G1/4 |
| 2-8 | 023170 | O-Ring | 1 | P12.5 |
| 2-9 | 120834 | Cock Ass'y | 1 | G1/4xR1/4 |
| 2-10 | 120835 | Cock Ass'y | 1 | G3/8xR3/8 |
| 2-11 | 130548 | Air Chamber | 1 | |
| 2-12 | 664542 | Label | 1 | Caution |
| 2-13 | 664597 | Pressure Regulator Valve Ass'y | 1 | Incl.14-49 |
| 2-14 | 130910 | Cap | 1 | |
| 2-15 | 126195 | Nut | 1 | M10 |
| 2-16 | 088975 | Screw | 1 | M10x49 |
| 2-17 | 663939 | Grip | 1 | |
| 2-18 | 126196 | Retainer | 1 | 17x2.3 |
| 2-19 | 105520 | Spring | 1 | |
| 2-20 | 105521 | Retainer | 1 | |
| 2-21 | 105522 | Case | 1 | |
| 2-22 | 108474 | Plate Spring | 1 | |
| 2-23 | 105524 | Indicator | 1 | |
| 2-24 | 816018 | Screw | 2 | M4x0.7x8 |
| 2-25 | 089899 | Tapping Screw | 1 | M4x13 |
| 2-26 | 105527 | Packing | 1 | |
| 2-27 | 012255 | Washer | 1 | 6.2x22xt0.6 |
| 2-28 | 016972 | Bellows Packing | 1 | 5x22xt1.5 |
| 2-29 | 011451 | Bellows | 1 | |
| 2-30 | 124188 | Valve Rod | 1 | |
| 2-31 | 109026 | Retainer | 1 | Stainless steel |
| 2-32 | 107238 | Valve Ball | 1 | 12.7(1/2) |
| 2-33 | 020971 | Valve Seat | 2 | 10x20xt6.5 |
| 2-34 | 014179 | O-Ring | 2 | P20 |
| 2-35 | 121014 | By-pass Valve Ass'y | 1 | Incl.36-47 |
| 2-36 | 121689 | Ball Retainer | 1 | |
| 2-37 | 013971 | O-Ring | 1 | S20 |
| 2-38 | 121690 | Valve Seat | 1 | |
| 2-39 | 121691 | Valve Seat | 1 | |
| 2-40 | 013967 | O-Ring | 1 | S14 |
| 2-41 | 120840 | Ball Valve | 1 | |
| 2-42 | 120841 | Ball Retainer | 1 | |
| 2-43 | 013918 | O-Ring | 1 | S5 |
| 2-44 | 121007 | Handle | 1 | |
| 2-45 | 100166 | Nut | 1 | M5 |

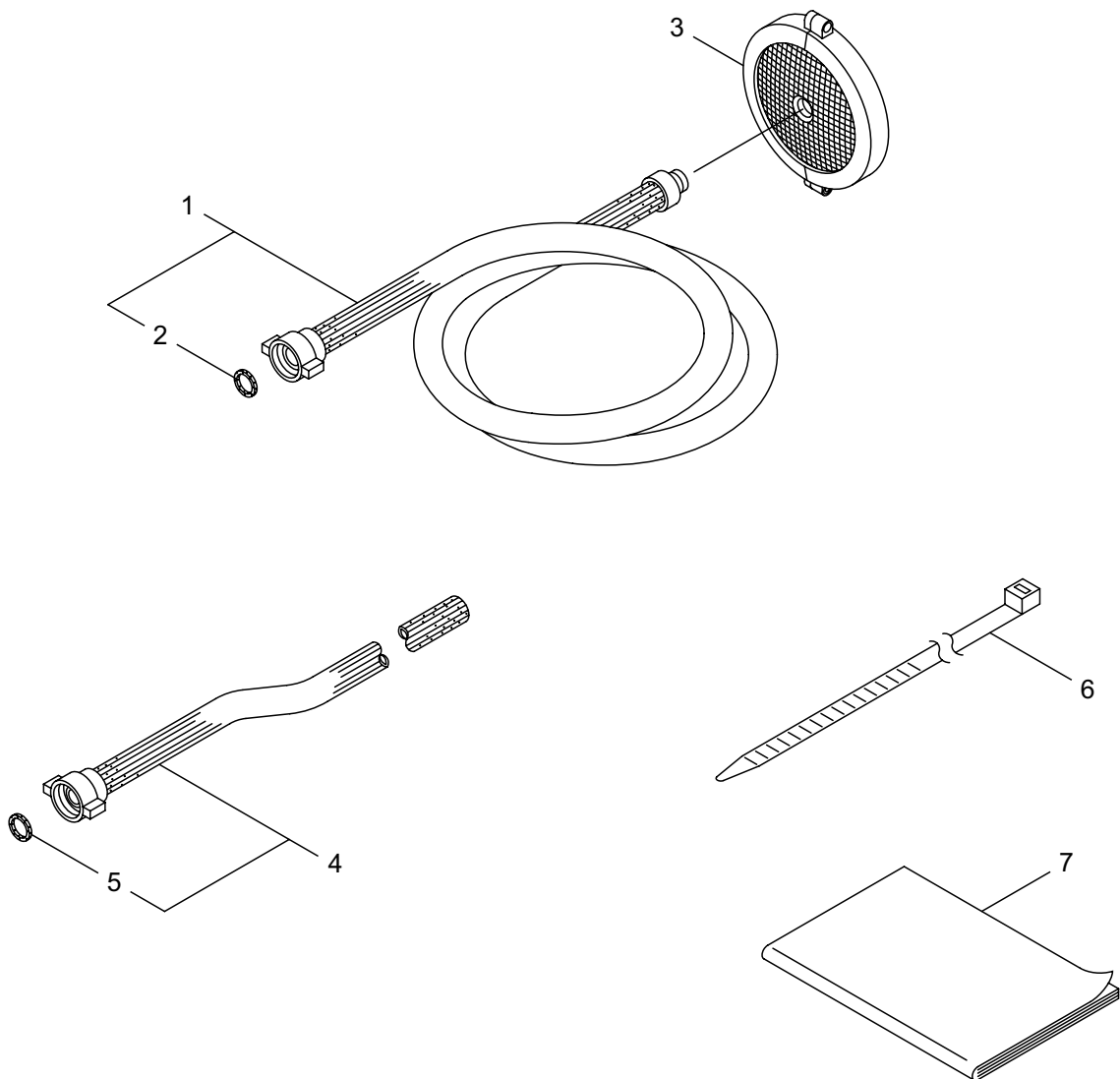
MS417

2. PUESSURE REGULATOR VALVE



| Ref. No. | Part No. | Part Name | Q'ty | Remarks |
|----------|----------|-----------|------|---------------|
| 2-46 | 012487 | Washer | 1 | M5 |
| 2-47 | 108355 | Label | 1 | Arrow mark |
| 2-48 | 092542 | Bolt | 2 | M6x20 |
| 2-49 | 120843 | Bolt | 2 | M6x55x20 |
| 2-50 | 131158 | Label | 1 | Caution |
| 2-51 | 268950 | Label | 1 | MADE IN JAPAN |
| | | | | |
| | | | | |
| | | | | |
| | | | | |
| | | | | |
| | | | | |
| | | | | |
| | | | | |
| | | | | |

MS417
3. ACCESSORIES



| Ref. No. | Part No. | Part Name | Q'ty | Remarks |
|----------|----------|------------------------|------|--------------------|
| 3-1 | 105936 | Suction Hose Ass'y | 1 | Incl.2 19x1Bx3000L |
| 3-2 | 103686 | Packing | 1 | 18.5x24xt2 |
| 3-3 | 122017 | Suction Strainer Ass'y | 1 | |
| 3-4 | 104344 | Spill Hose Ass'y | 1 | Incl.5 13x19x3000L |
| 3-5 | 103685 | Packing | 1 | 12x18.5xt1.5 |
| 3-6 | 107107 | Band | 1 | |
| 3-7 | 664653 | Instruction Manual | 1 | MS317-757 |
| | | | | |
| | | | | |
| | | | | |
| | | | | |
| | | | | |
| | | | | |
| | | | | |
| | | | | |
| | | | | |
| | | | | |
| | | | | |