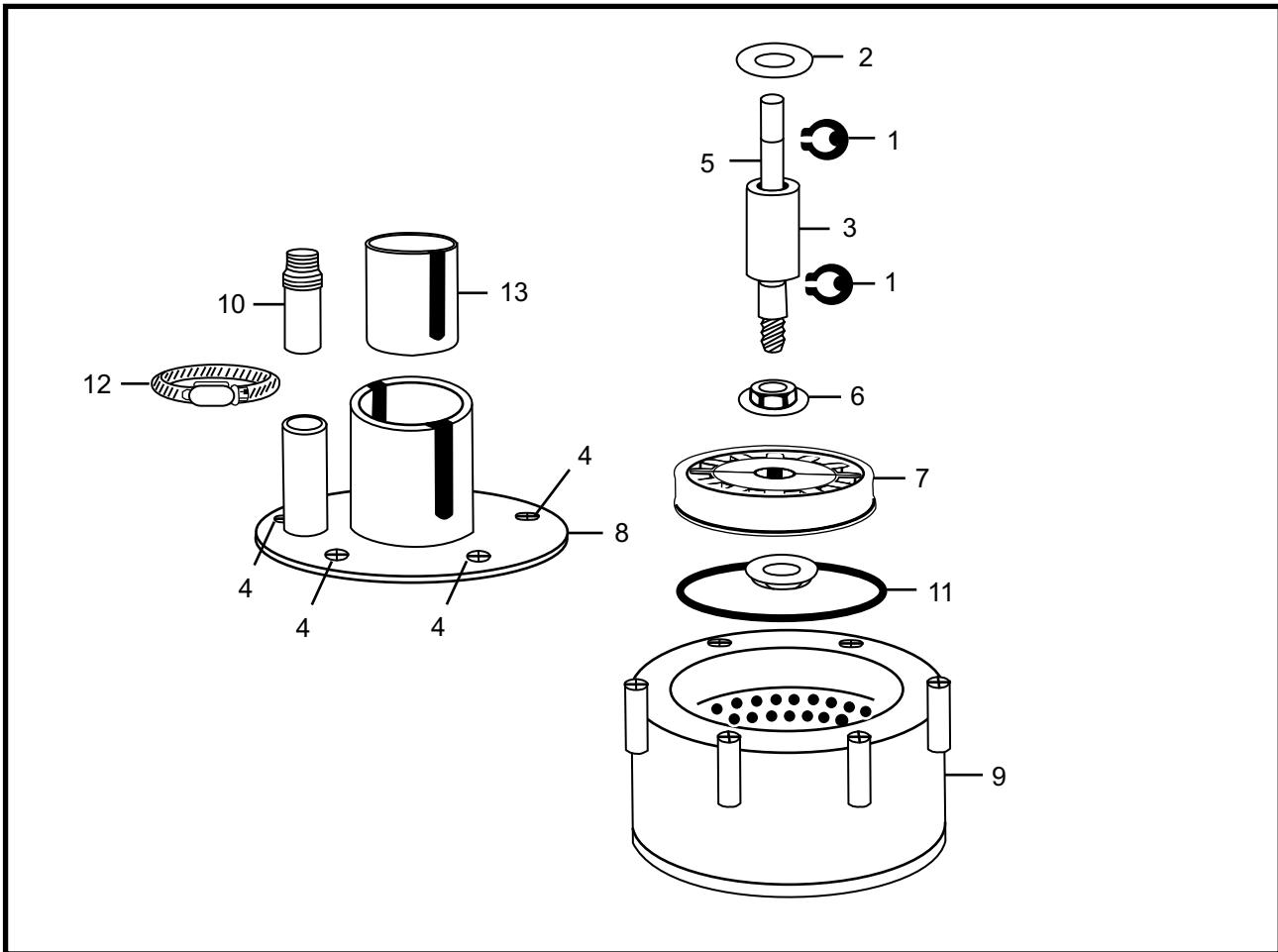


ILLUSTRATED PARTS LIST  
**TYPHOON WATER PUMP**



| REF # | PART # | DESCRIPTION      | Q'TY. | NOTES |
|-------|--------|------------------|-------|-------|
| 1     | 840938 | E-Clip           | 2     |       |
| 2     | 840937 | Flat Washer      | 1     |       |
| 3     | 840939 | Bearing          | 1     |       |
| 4     | 840940 | Cap Screw        | 6     |       |
| 5     | 840941 | Pump Drive       | 1     |       |
| 6     | 840942 | Flange Nut       | 1     |       |
| 7     | 840943 | Impeller         | 1     |       |
| 8     | 840944 | Pump Housing     | 1     |       |
| 9     | 840945 | Pump Housing Cup | 1     |       |
| 10    | 840946 | Hose Assemble    | 1     |       |
| 11    | 840947 | O-Ring           | 1     |       |
| 12    | 840948 | Hose Clamp       | 1     |       |
| 13    | 840949 | Sleeve           | 1     |       |

# Typhoon™ Water Pump Instructions

Step 1. Remove trimmer head.

Step 2. Thoroughly clean exterior of trimmer base.  
(Note: It must be clean to ensure a proper seal.)

Step 3. Apply a thin film of silicone (provided) approximately 1 1/2 inches from base of the trimmer shaft.

Step 4. Align cable drive with pump drive and insert pump as if installing a trimmer head or collar.

Step 5. Secure assembly with hose clamp.

For maximum performance use 3/4 inch hose. By using 5/8 inch or 1/2 inch hose it will reduce the GPM (gallons per minute) on pump.

## Trouble Shooting

Conditions that may affect performance:

1. Hose too small.
2. Hose plugged, air locked, or collapsed.
3. Pump plugged on inlet side.
4. Pumping in gritty sand or coarse sand.

\*When pumping gritty or coarse sand use the fine screen and screen clamp (included) as sand could damage pump housing.

301 30th St. NE Ste. #118  
Auburn, WA 98002  
maruyama-us.com

