



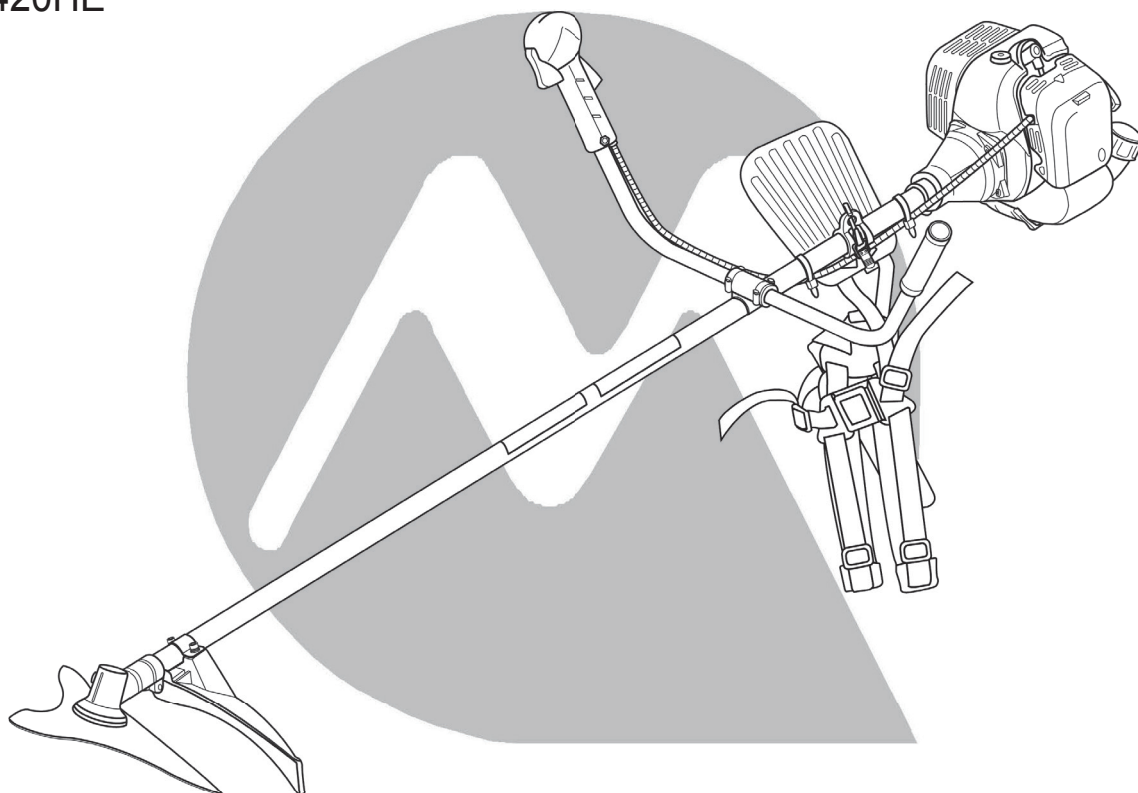
# OWNER'S OPERATOR'S MANUAL Manual del Propietariou Operador

## BRUSHCUTTER CORTADORA

BC360HT

BC360HE

BC420HE



## The **POWER** in Outdoor Power

Completely read and understand this manual **PRIOR** to using this product.  
Lea y entienda este manual a fondo, **ANTES** de usar este producto.





## SAFETY INSTRUCTIONS

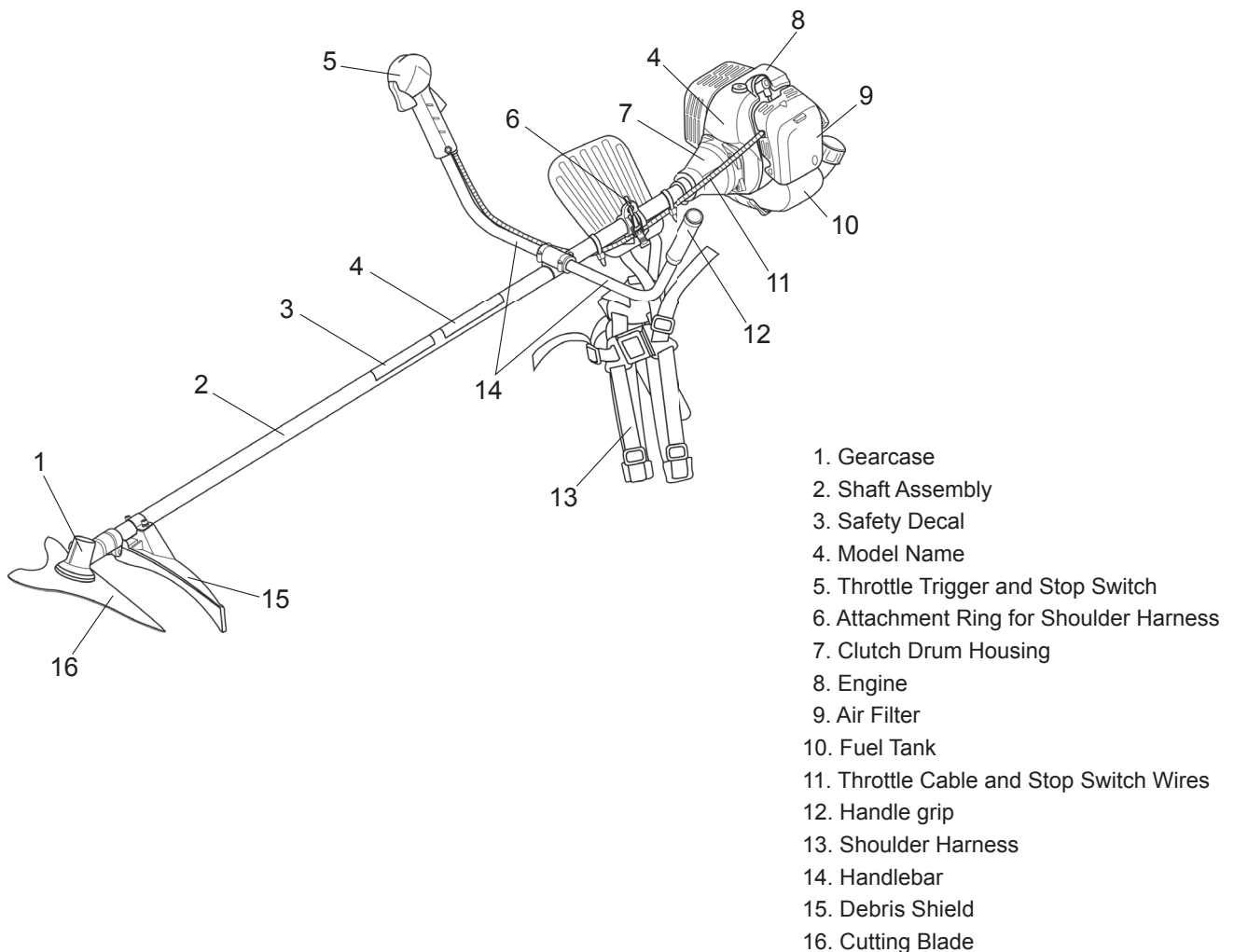
1. Read and understand this Owner's/Operator's Manual before using the brushcutter. Be thoroughly familiar with the proper use of the brushcutter.
2. Never allow children to operate the brushcutter. It is not a toy. Never allow adults to operate the unit without first reading the Instruction Manual.
3. Become familiar with the controls and know how to stop the engine quickly.
4. ALWAYS WEAR SAFETY GLASSES or other suitable eye protection, and hearing protection.
5. Keep the area of operation clear of all persons, particularly small children and pets.
6. Never operate a brushcutter when you are fatigued.
7. Never operate without proper guards or other protective safety devices in place.
8. Dress properly; do not wear loose clothing or jewelry. They can be caught in moving parts. Always wear substantial footwear, long pants and long sleeved shirt.
9. Gasoline is highly flammable; handle it carefully. Fill the fuel tank with the correct mixture of gasoline and oil before trying to start the engine.
10. Use an approved fuel container to store the gasoline/oil mixture.
11. Do not fill the tank when the engine is hot or running.
12. Do not smoke while handling gasoline.
13. Fill the fuel tank outdoors and up to about 10mm from the top of the tank, not the top of the filler neck.
14. Wipe any spilled gasoline before starting the engine.
15. The Exhaust gases are extremely hot. Keep flammable materials and objects at least 1m away from the direction that the exhaust gases are coming out of the muffler. Do not cover the exhaust gases with any items. There is a high risk of materials and objects catching fire and getting burned.
16. During the operation and idling of the unit, the engine is very hot. Also, for a while after the engine stops, the engine is still hot. Do not place the engine near flammable materials such as dried grass. There is a high risk of materials catching fire.
17. Always be sure of your footing; keep a firm hold of the handles with both hands, and walk, never run.
18. Use the right tool for the job. Do not use the brushcutter for any job that is not recommended by the manufacturer.
19. Keep all fasteners tight to be sure the brushcutter is in safe working condition. Follow the maintenance instructions provided on page US-8 of this manual.
20. Do not put hands or feet near or under the rotating parts.
21. Keep clear at all times.
22. If the brushcutter should start to vibrate abnormally, stop the engine and check immediately for the cause. Vibration is generally a warning of trouble.
23. Do not trim too close to the ground in order to avoid hitting small stones or other debris. Avoid using the brushcutter near rocks, gravel, stones and similar matter.
24. Use the brushcutter only in daylight or good artificial light.
25. Shut off the engine and be certain the cutting blade has completely stopped rotating before inverting the machine.

# SPECIFICATIONS

Model	BC360HT	BC360HE	BC420HE
Engine Model	FE360		AE420
Dry Weight (kg) ※	6.7	7.0	7.7
Handle Configuration	Handlebar		
Engine Displacement (cc)	35.5		41.5
Fuel Tank Capacity (L)	0.8		1.0
Carburetor	Diaphragm Type		
Ignition	Solid State System		
Spark plug	NGK BPM8Y		NGK BPM6Y
Electrode gap (mm)	0.6 - 0.7		
Fuel Mixture	Use Only Non - Leaded Regular Gasoline. Two - Stroke Oil Mix 25~50:1 Ratio Must Be Approved For Air - Cooled Engines.		

※ Without Fuel, Blade and Debris shield.

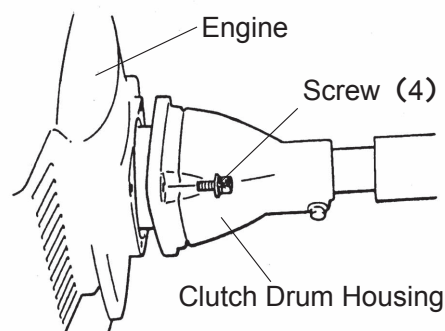
## Product Description



# ASSEMBLY INSTRUCTIONS

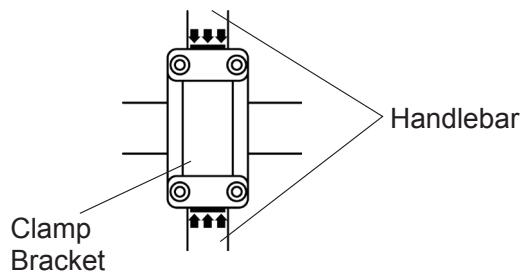
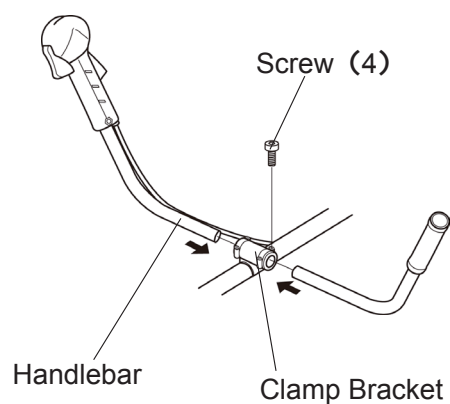
## ENGINE AND SHAFT ASSEMBLY

Attach the clutch drum housing to the engine using the four screws.



## HANDLEBAR

1. Loosen the four screws on the top of the clamp bracket.
2. Insert the left and right handlebars into the clamp bracket.  
Both handles should be inserted up to arrowed line.

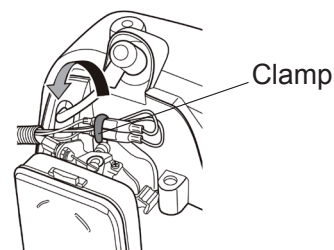
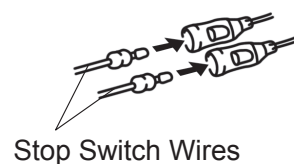


## STOP SWITCH WIRING

1. Remove the air filter cover.
2. Plug the stop switch wires into the matching connectors from the engine. Note that wire polarity is not important.

**[BC360HT, BC360HE]**

3. Lap and fix the stop switch wires and connectors with clamp.



**[BC360HT, BC360HE]**

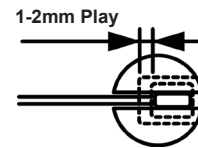
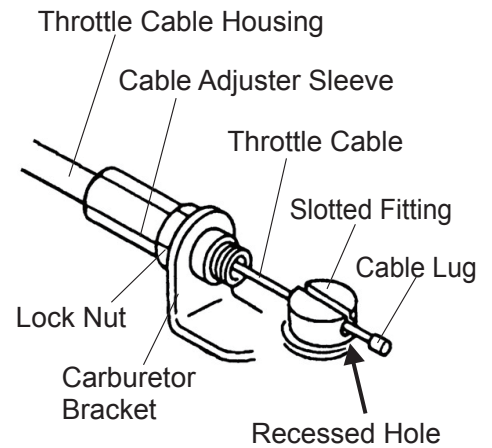
## **THROTTLE CABLE WIRING**

The cable lug must be inserted into and through the cable adjuster sleeve held by the bracket on top of the carburetor. Make sure the end of the cable housing is seated positively in the sleeve. The cable lug fits into the slotted fitting as shown.

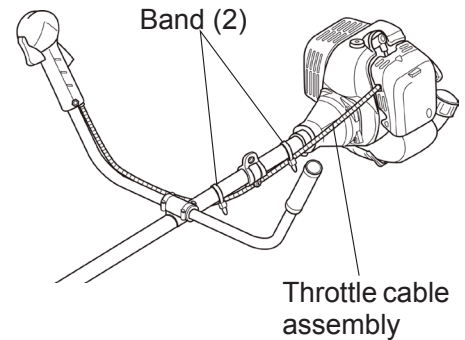
**A HOLE IS PROVIDED FOR THE LUG AT ONE END OF THE SLOT.**

Operate the throttle trigger a few times to make sure that it works correctly.

Adjust the cable adjuster sleeve so the cable position keep 1-2mm play between cable lug and slotted fittings when the throttle trigger is fully depressed. When the throttle cable is adjusted correctly, tighten the lock nut.



Clamp the throttle cable assembly with two bands as shown.



### **[BC360HE, BC420HE]**

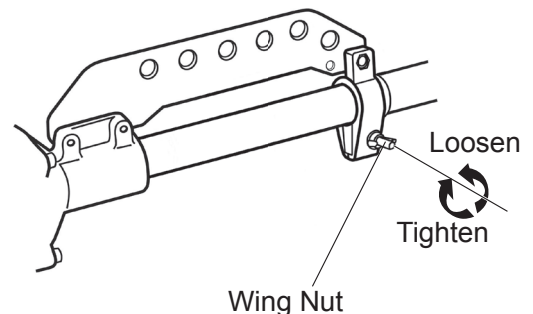
**Caution!** : This swivel stopper is exclusively for fixing the handle in transport. Do not engage the swivel stopper while operating the brushcutter.

In transport and storage:

Tighten the wing nut, confirm the handle is fixed by the swivel stopper.

In operation:

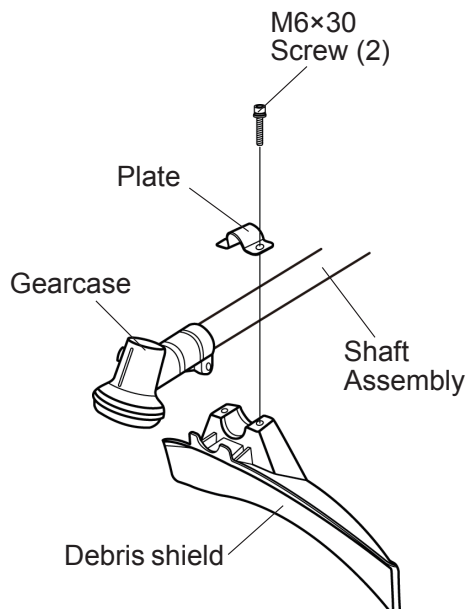
Before start operation of the brushcutter, disengage the swivel stopper. Loosen the wing nut, confirm the handle becomes free to turn around.



# INSTALLING DEBRIS SHIELD

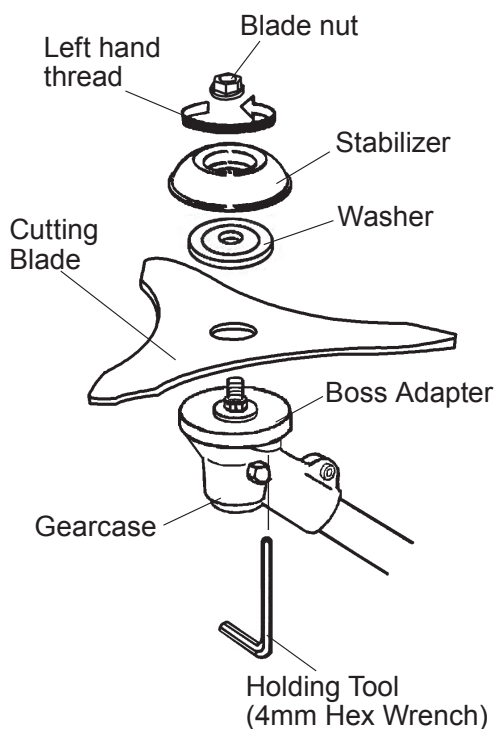
## DEBRIS SHIELD

Attach the debris shield to the shaft assembly as close to the gearcase as possible with two M6x30 screws as shown.



## CUTTING BLADE

A variety of metal cutting blades are available to satisfy different cutting conditions. It is especially important to use only the correct blade(s) approved for each model brushcutter. Also, it is especially important to install the blade for LEFT-HAND rotation (as viewed from the operator's position), and to correctly position all blade holding parts (see sketch).



# BEFORE OPERATION

## FUEL : MIXING GASOLINE AND OIL

The two stroke engines used in the brushcutter requires a mixture of GASOLINE and OIL for lubrication of bearings and other moving parts. See the chart below.

Fuel Mixture Chart

Gasoline	Two-stroke oil	
	50:1	25:1
	ISO-L-EGC/ EGD ,JASO class FC/ FD, or equivalent two-stroke oil	ISO-L-EGB , JASO class FB, or equivalent two-stroke oil
1 liter	20 mL	40 mL
2 liters	40 mL	80 mL
5 liters	100 mL	200 mL

**NOTE** : Gasoline and oil must be premixed in a clean gasoline container. Never mix gasoline and oil indoors or in the burushcutter fuel tank. Always use fresh gasoline.

**WARNING !! - NEVER USE GASOHOL OR ALCOHOL BLENDED FUELS IN MARUYAMA ENGINES.**


Before filling the brushcutter fuel tank, clean around the fuel tank cap so dirt and debris does not enter the fuel tank. Always shake the fuel container before filling the fuel tank. Remove the fuel cap, then fill the fuel tank to within about 10mm from the top of the tank. Avoid filling the fuel tank filler neck. Install the cap securely onto the fuel tank.


# OPERATING INSTRUCTIONS


## Starting and Stopping

### COLD STARTING PROCEDURE

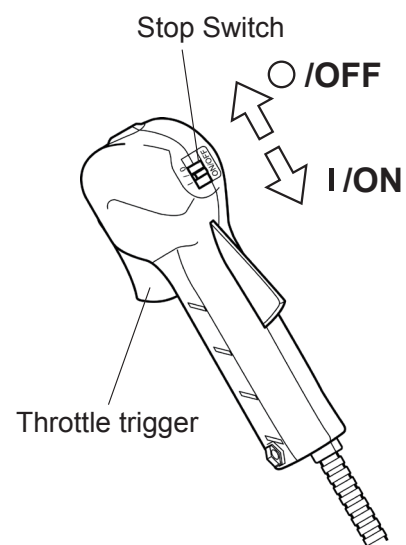
The carburetor on this engine is equipped with a fuel primer and a choke system. To start a “cold” engine properly, perform the following procedure:

1. Pump the primer bulb until fuel can be seen flowing through the fuel return line. (Flowing fuel should be almost clear, not foamy or full of bubbles.)
2. Turn the choke lever to the “CLOSE” “” position.
3. With the stop switch “I/ON”, and pull the starter grip.

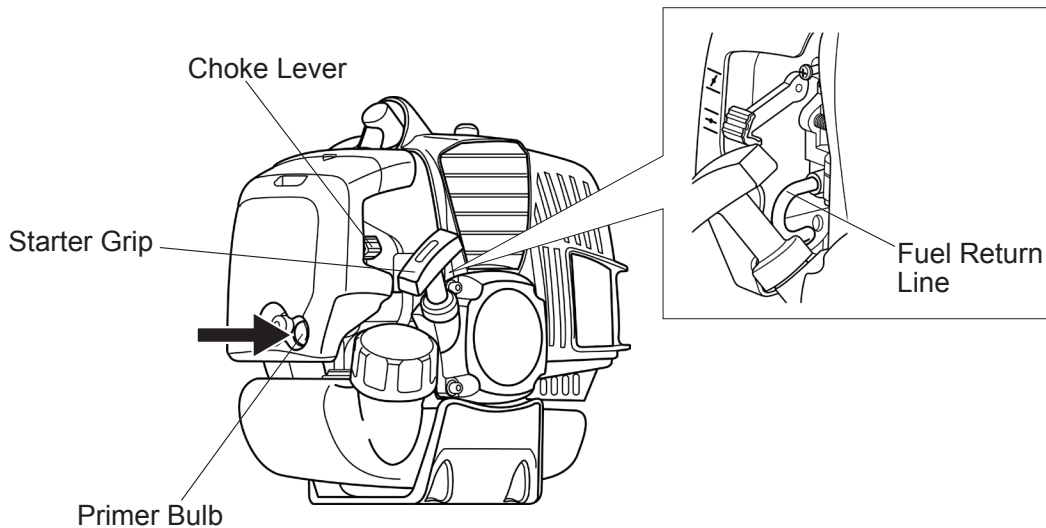
After the engine is started, turn the choke lever to the “OPEN” “” position.

If the engine stops running before you turn the choke lever to the “OPEN” “” position:

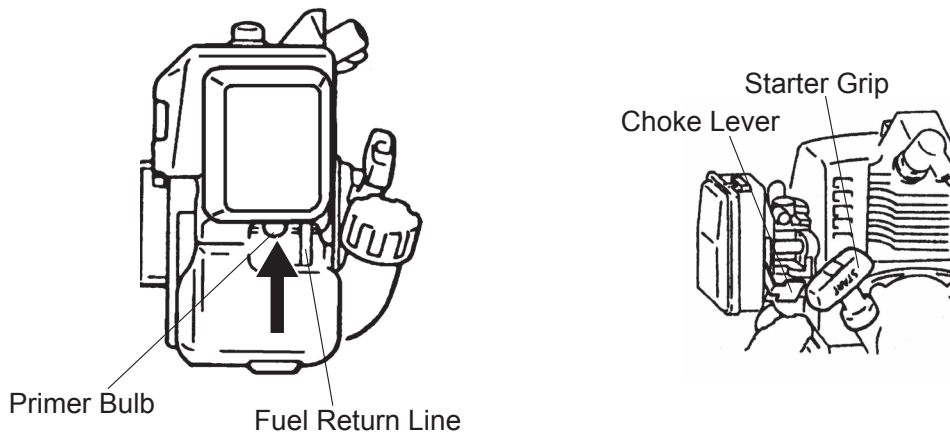
Go ahead and open the choke “OPEN” “”, pull the starter grip.







[BC360HT, BC360HE]



[BC420HE]

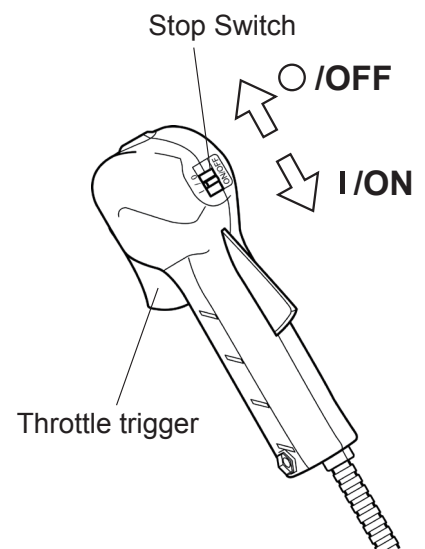
## **HOT RESTART**

To start the engine that is already warmed up (hot restart):

1. Pump the primer bulb until fuel can be seen flowing through the fuel return line. (Flowing fuel should be almost clear, not foamy or full of bubbles.)
2. Turn the choke lever to the "OPEN" "☰" position, and set the stop switch to the "I/ON" position.
3. Leave the throttle trigger in the idle position and pull the starter grip.
4. If the engine fails to start after three to four pulls, follow the instructions in the Cold Starting Procedure section above. If the engine fails to start after you follow the above procedures, contact an authorized MARUYAMA dealer.

### **To Stop The Engine:**

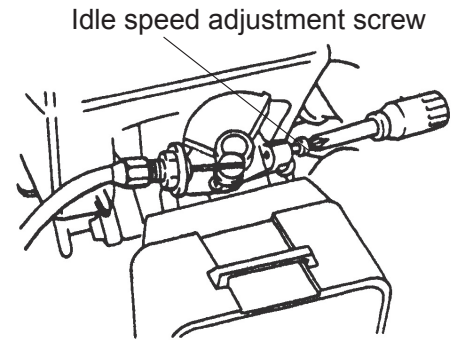
1. Release the throttle trigger.
2. Slide the stop switch to "O/OFF" position.



## **CARBURETOR ADJUSTMENT**

The carburetor has been carefully adjusted at the factory and should not require any further adjustment. Only the idling speed can be adjusted by turning the idle speed adjustment screw (see sketch). The correct speed for BC360HT, BC360HE are 2500-2900RPM, and for BC420HE is 2400-2800RPM (or just below the clutch engagement speed).

Turning the adjustment screw clockwise will increase the idle speed. If further adjustment is necessary, please contact a local authorized MARUYAMA dealer.



## **OPERATING THE BRUSHCUTTER**

MARUYAMA brushcutters are designed and tested to cut nearly all grasses, thick weeds and brush. As you continue to use the equipment, many tasks will become easier.

**CAUTION**-Read the SAFETY INSTRUCTIONS concerning the proper use of the brushcutter on page US-1.

**CAUTION**-Observe all warnings that appear on the brushcutter.

**CAUTION**-Use only the correct blade approved for the task and the machine.

**CAUTION**-Always use the Shoulder Harness when operating a brushcutter with a metal blade.

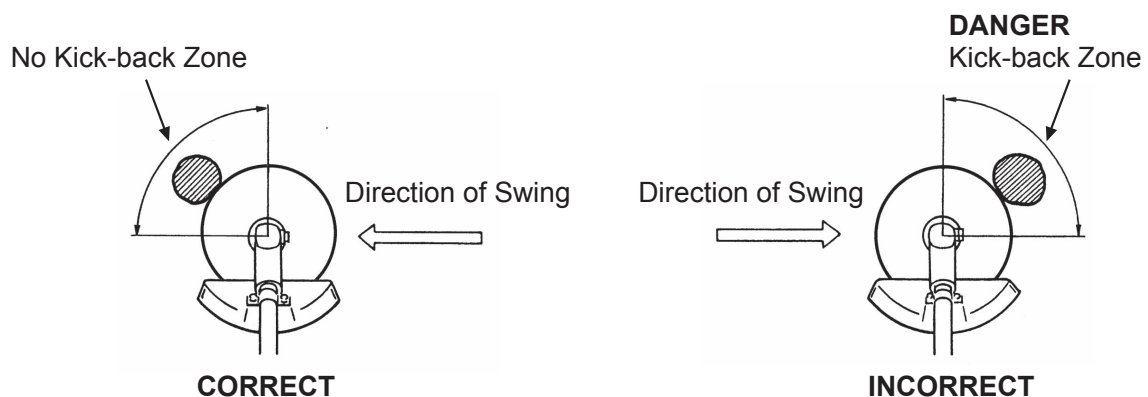
The brushcutter must be positioned to the right side of the operator when used with a metal blade.

**CAUTION**-Always make certain the blade is installed to rotate in the proper direction and that all holding and fastening parts are correctly secured.

**CAUTION**-Remove the holding tool (4mm hex wrench) before operating the equipment!

**CAUTION**-Do not continue to use a blade that is dull, damaged, or that vibrates during use. Whenever a cutting blade becomes clogged with debris, immediately stop the machine and clean the blade.

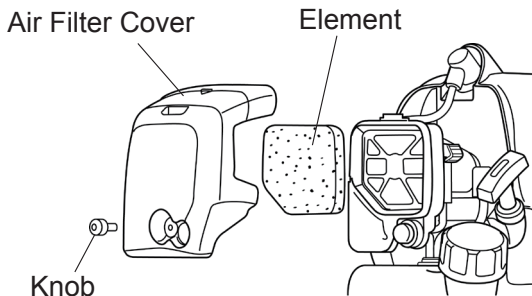
**CAUTION**-When cutting heavy brush or small trees, use the proper method to avoid dangerous "KICK-BACK" (see sketch).



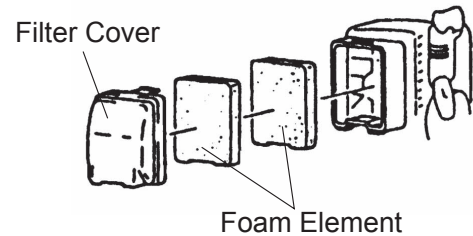
# REGULAR MAINTENANCE

## AIR FILTER

The air filter should be cleaned each time the brushcutter is used. (Or more often with extreme conditions.) Remove the filter cover and take out the element. Wash the element in kerosene or warm detergent, then squeeze it dry. Apply oil (#30 wt.) to foam, removing all excess oil. Assemble and reinstall the element and filter cover.



[BC360HT, BC360HE]



Foam Element

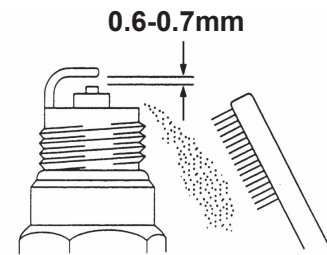
[BC420HE]

## SPARK PLUG

The spark plug should be removed from the engine and checked after each 25 hours of operation. The tips can be cleaned with a stiff brush.

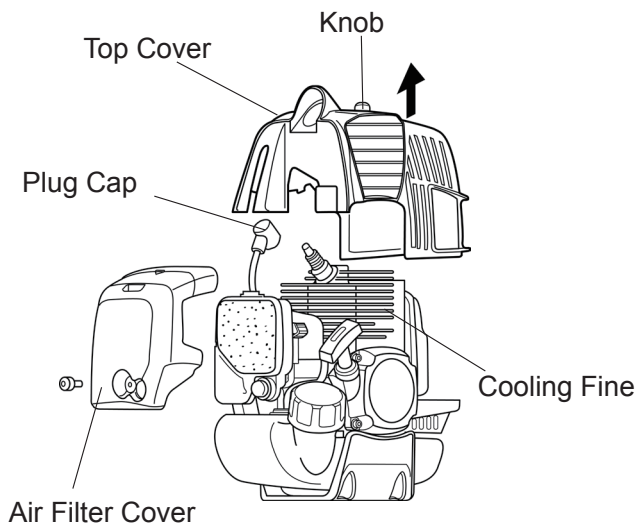
Adjust the gap to 0.6-0.7mm (see sketch). Replace the spark plug if it is oil fouled or damaged, the average spark plug life is approximately 100 hours.

CAUTION-Do not over tighten the spark plug. The correct torque is 10.7-16.6N • m(100 -160 kgf • cm).

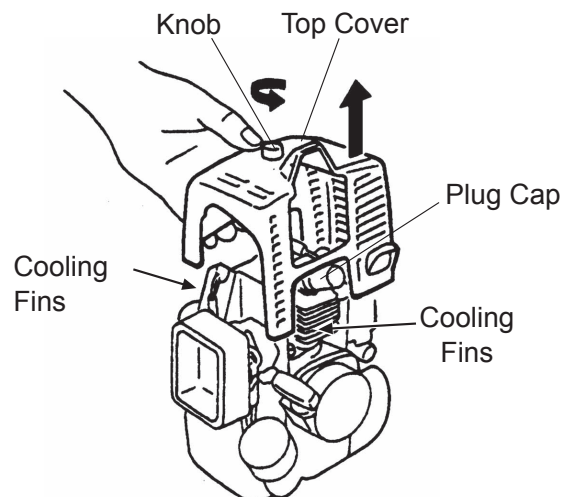


## CYLINDER COOLING FINS

1. Remove the air filter cover.
2. Remove the plug cap.
3. Loosen the knob and lift off the top cover. Clean all dirt and debris from the cooling fins and from around the cylinder base. Reinstall the top cover and the air filter cover.



[BC360HT, BC360HE]



[BC420HE]

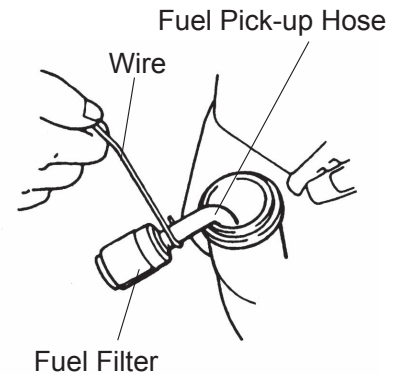
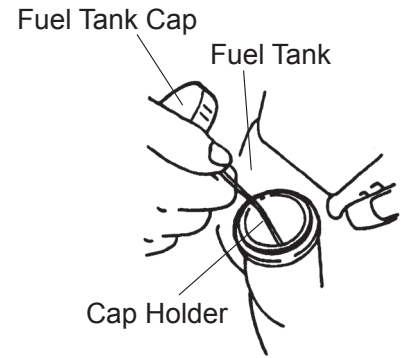
## **FUEL FILTER**

The fuel filter should be replaced after every 100 hours of operation.

The fuel filter is attached to the end of the fuel pick-up hose inside the tank.

To replace the fuel filter:

1. Make sure the fuel tank is empty.
2. Loosen the fuel tank cap, and pull up and remove the cap holder.
3. Using a wire hook, gently pull the fuel filter out through the fuel filler opening.
4. Grasp the fuel hose next to the fuel filter fitting and remove the filter, but do not release the hose.
5. While still holding on to fuel hose, attach the new fuel filter.
6. Drop the new fuel filter back into the fuel tank.
7. Make sure that the fuel filter is not stuck in a corner of the tank, and that the fuel hose is not doubled over (kinked) before refueling.



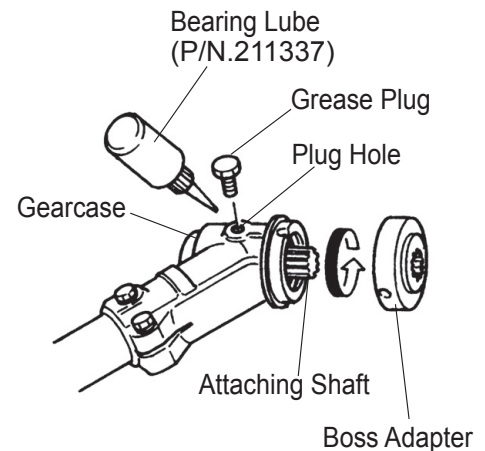
## **LUBRICATION : GEARCASE**

The gearcase should be checked for lubrication after each 30 hours of use. Remove the cutting attachment and the boss adapter. Clean any dirt and debris from the area between the boss adapter and the gearcase. Remove the grease plug from the side of the gearcase. While rotating the attaching shaft, inject lithium base bearing lube (P/N 211337) through the plug hole until the gearcase is full. Reinstall the boss adapter and grease plug.

## **GENERAL CLEANING AND TIGHTENING**

The MARUYAMA brushcutter will provide maximum performance for many, many hours if it is maintained properly.

Good maintenance includes regular checking of all fasteners for correct tightness, and cleaning the entire machine.



## **STORAGE**

For long term storage of the Brushcutter, perform all regular maintenance procedures and needed repairs. Empty the fuel tank. Start the engine and allow it to run until it stops. Pull the starter cord a few times to remove any excess fuel from the engine. Remove the spark plug and insert a small amount of oil. Pull the starter cord once and bring the piston to a position closest to the spark plug hole. Reinstall the spark plug. Store the brushcutter in a dry place away from excessive heat, sparks or open flame.



## INSTRUCCIONES DE SEGURIDAD

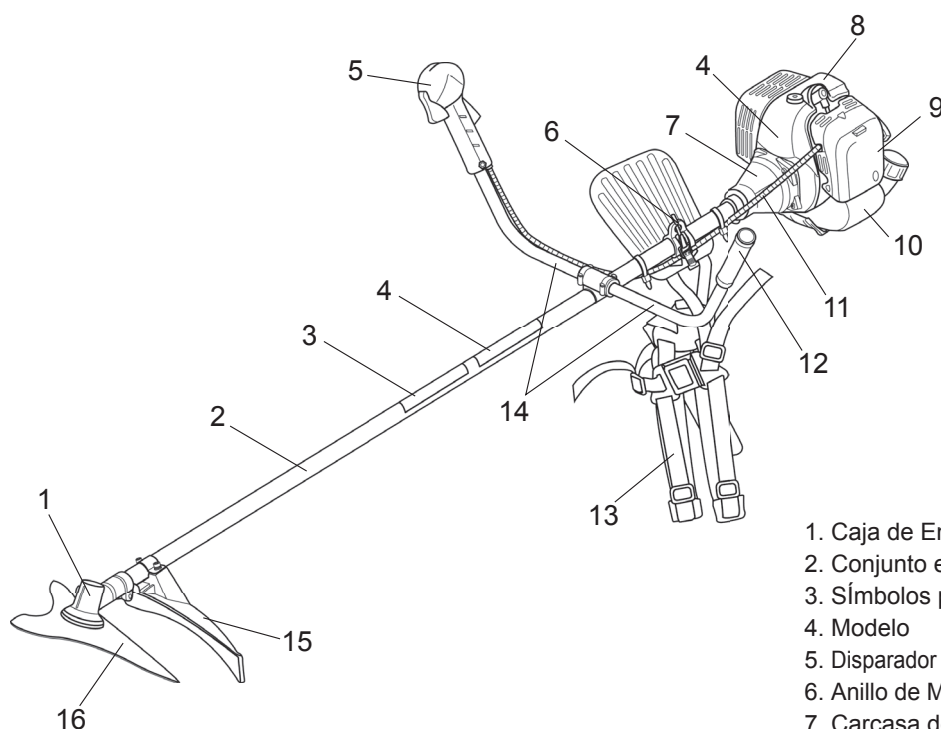
1. Lea y entienda este Manual antes de usar este producto. Familiarícese a fondo con el uso adecuado de este equipo.
2. Nunca permita que los niños operen la Cortadora de Maleza. Este no es un juguete. Nunca permita que adultos operen la unidad sin antes haber leído el Manual de Instrucciones.
3. Familiarícese con los controles de la máquina y aprenda la forma de interrumpir su operación rápidamente.
4. SIEMPRE USE GAFAS DE SEGURIDAD o cualquier otra protección apropiada para los ojos y emplee también protección apropiada para los oídos.
5. No permita el acceso de gente o animales al área de trabajo, especialmente de niños o mascotas.
6. Nunca opere la cortadora de maleza cuando se sienta cansado o fatigado.
7. Nunca opere la máquina sin sus debidos resguardos o elementos de protección o seguridad correctamente instalados.
8. Vista en forma apropiada para el trabajo, sin ropa o adornos sueltos. Estos pueden enredarse en los elementos móviles de la máquina. Siempre use calzado fuerte, pantalones largos y camisas de manga larga.
9. La gasolina es altamente inflamable, y por lo tanto manéjela con cuidado. Llene el tanque de combustible con la mezcla indicada de gasolina y aceite antes de tratar de encender el motor.
10. Use un recipiente apropiado para gasolina para guardar la mezcla de gasolina y aceite.
11. No llene el tanque cuando el motor esté operando o esté caliente.
12. No fume cuando esté manejando gasolina.
13. Llene el tanque de combustible al aire libre y hasta un nivel de unos 10 mm. del borde del tanque, no del borde del cuello de llenado.
14. Limpie cualquier cantidad de gasolina que se haya derramado, antes de encender el motor.
15. Los gases de escape son extremadamente calientes. Mantenga los materiales y objetos inflamables al menos de 1m de distancia de la dirección en que los gases de escape que salen de silenciador. No cubra el escape de gases con ningún artículo. Existe un alto riesgo de que los materiales y objetos se encendiendo y se quemen.
16. Durante el funcionamiento y el ralentí de la unidad, el motor está muy caliente. Además, durante un tiempo después de que el motor se detiene, el motor aún está caliente. No coloque el motor cerca de materiales inflamables como hierba seca. Existe un alto riesgo de que los materiales se incendien.
17. Párese siempre en forma estable y segura, agarre firmemente, con ambas manos los manubrios y camine, nunca corra.
18. Use siempre la herramienta apropiada para el trabajo que va a realizar. No use la cortadora de maleza para trabajos que el fabricante no recomienda.
19. Asegúrese de que todos los elementos de sujeción estén en su lugar y bien ajustados. Siga las instrucciones de mantenimiento, empezando en la página ES-9 de este Manual.
20. No acerque las manos o los pies a las piezas móviles.
21. Manténgase fuera del alcance de estas piezas en todo momento.
22. Si se presentan problemas de marcha o de excesiva vibración, detenga el motor inmediatamente e inspeccione la unidad para localizar la causa. La vibración generalmente indica que hay problemas mecánicos.
23. No corte demasiado cerca de la superficie del suelo para evitar que la cuchilla golpee guijarros u otros desperdicios. Evite usar la cortadora de maleza en zonas de roca, gravilla, piedra y materiales similares.
24. Use la cortadora de maleza únicamente de día o con buena luz artificial.
25. Apague el motor y cerciórese que la cuchilla ha dejado de girar completamente antes de invertir la máquina.

# ESPECIFICACIONES

MODEL	BC360HT	BC360HE	BC420HE
Modelo de motor	FE360		AE420
Peso Seco (kg)	6.7	7.0	7.7
Confriguracion Del Manubrio	Manijas de cuerno		
Desplazamiento del Motor (cc)	35.5		41.5
Capacidad del Tanque de Combustible(R)	0.8		1.0
Carburador de Tipo	Diafragma		
Encendido	Sistema De Estado Solido		
Bujia	NGK BPM8Y		NGK BPM6Y
Separación entre electrodos (mm)	0.6 - 0.7		
Fuel Mixture	Use Unicamente Gasolina Regular Sin Plomo. Mezcla 25~50:1 de Aceite Para Motor de 2 Ciclos. Debe Ser Aprobado Para Motor Enfriado Por Aire.		

※ Sin combustible, la cuchilla y protector de desechos.

## DESCRIPCION DEL PRODUCTO

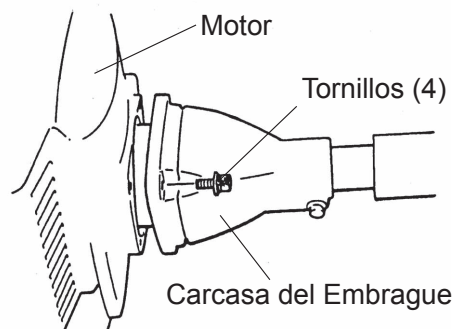


1. Caja de Engranajes
2. Conjunto eje
3. Símbolos para la Seguridad
4. Modelo
5. Disparador del Acelerador e Interruptor de Parada
6. Anillo de Montaje de la Arnés para el Hombro
7. Carcasa del Embrague
8. Motor
9. Filtro del Aire
10. Depósito de Combustible
11. Cables del Acelerador e Interruptor de Parada
12. Empuñadura
13. Arnés para el Hombro
14. Manijas de cuerno
15. Protector de Desechos
16. Cuchilla de Corte

# INSTRUCCIONES PARA EL ARMADO

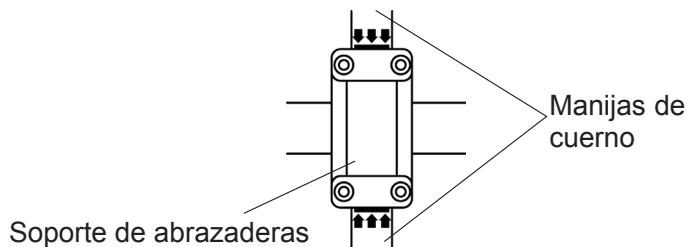
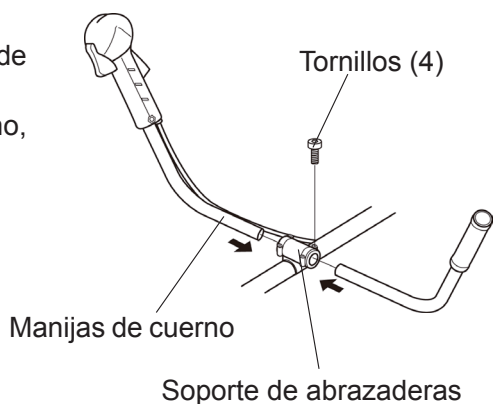
## ARMADO DEL EJE DE IMPULSION Y EL MOTOR

Fije al motor la carcasa del tambor del embrague usando los cuatro tornillos.



## MANIJAS DE CUERNO

1. Afloje los cuatro tornillos que encuentra sobre el soporte de abrazadera.
2. Inserte en el soporte de abrazadera las manijas de cuerno, izquierda y derecha.  
Ambos manijas deben insertarse hasta la línea de flecha.

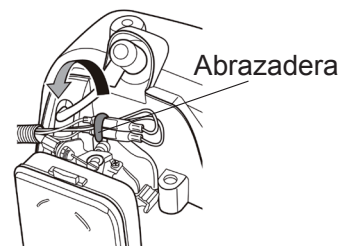


## INTERRUPTOR DE PARADA DE CABLES

1. Retire la cubierta del filtro de aire.
2. Conecte los cables del interruptor de parada en los conectores correspondientes del motor. Recuerde que la polaridad de los cables no es importante.

### **[BC360HT, BC360HE]**

3. Gire y fije los cables del interruptor de parada y los conectores con la abrazadera.



**[BC360HT, BC360HE]**

## **INSTALACION DEL CABLE DEL ACELERADOR**

La oreja o talón del cable deba pasarse por y a través de la manga de ajuste de cable que se encuentra sujeta por un soporte, encima del carburador.

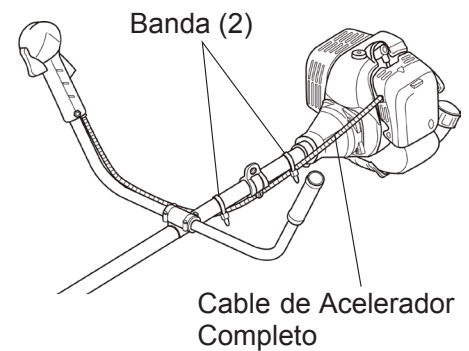
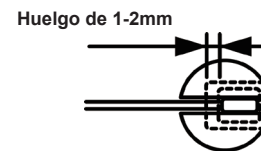
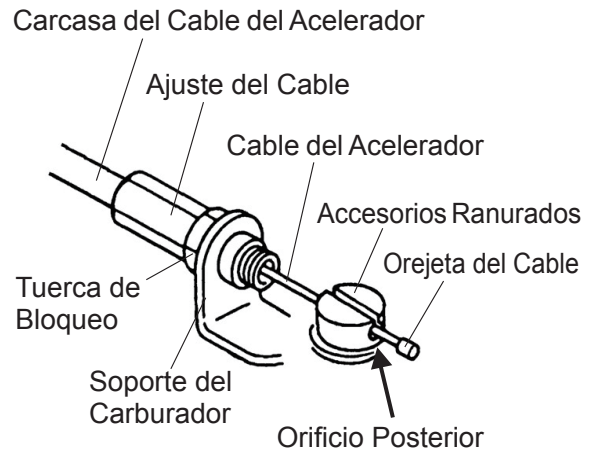
Asegúrese de que el extremo del conducto del cable quede positivamente asentado en la camisa. La oreja del cable encaja en el accesorio ranurado, como se ilustra en la figura.

**EN UN EXTREMO DE LA RANURA SE ENCONTRARA UN AGUJERO DISEÑADO PARA LA OREJA.**

Opere el gatillo del regulador varias veces para asegurarse de que trabaja correctamente.

Ajuste el manguito de ajuste del cable para que la posición del cable mantenga un juego de 1 a 2 mm entre el orejeta del cable y los accesorios ranurados cuando el gatillo del acelerador está completamente presionado.

Cuando el cable del acelerador esté ajustado correctamente, apriete la tuerca de bloqueo.



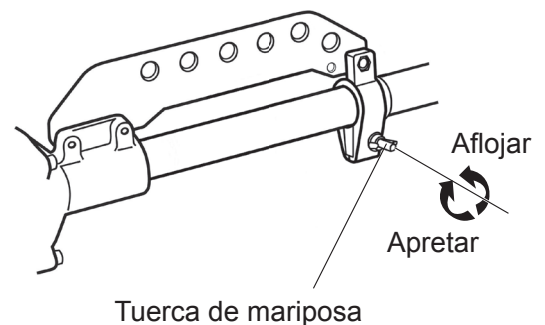
Asegure el conjunto del cable con las dos bandas como se ilustra en la figura.

### **[BC360HE, BC420HE]**

**¡Precaución!** : Este tapón giratorio es exclusivamente para la fijación del manejar en el transporte. No embrague el tapón giratorio mientras giratoria el funcionamiento de la desbrozadora.

En el transporte y el almacenamiento: Apriete la tuerca de mariposa, confirmar el mango está fijada por la pieza giratoria tapón.

En la operación: Antes de la operación de inicio de la desbrozadora, desenganchar la pieza giratoria tapón. Aflojar la tuerca de mariposa, confirmar el mango se convierte libres para dar la vuelta.

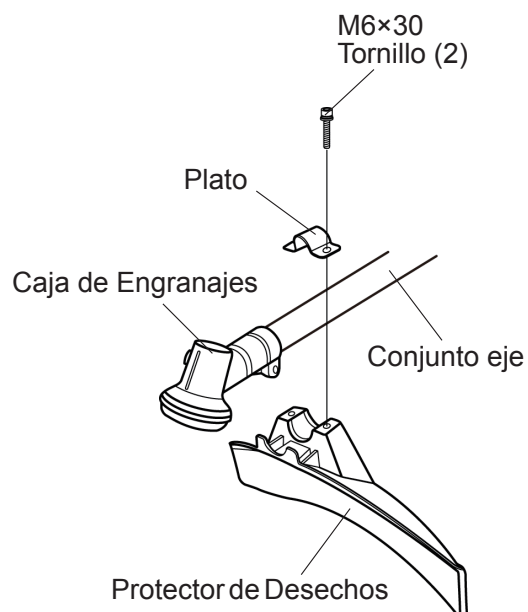




# MONTAJE DEL PROTECTOR

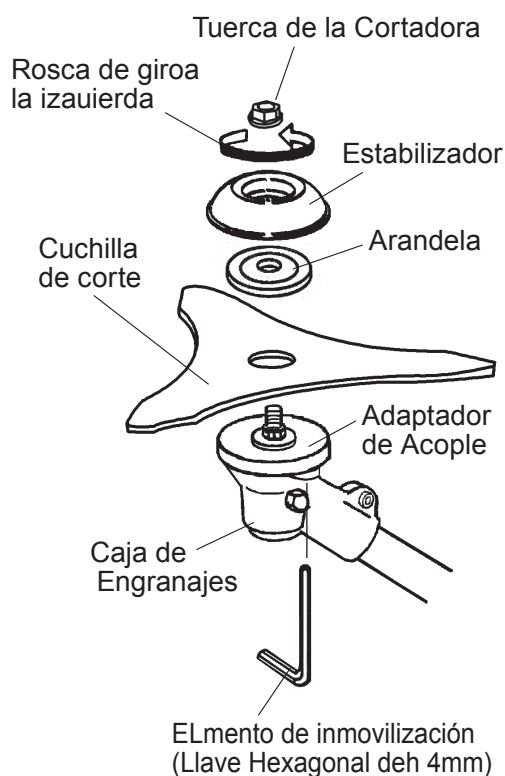
## PROTECTOR DE DESECHOS

Fije la protector de desechos al conjunto eje lo más cerca posible de la caja de engranajes con dos tornillos M6x30 como se muestra.



## CUCHILLA DE CORTE

Existe una variedad de cuchillas para satisfacer diferentes condiciones de corte. Es particularmente importante usar la cuchilla o cuchillas apropiadas para el trabajo y aprobadas para ser instaladas en los modelos específicos de las cortadoras de maleza. También es especialmente importante asegurarse de que la cuchilla sea de rotación hacia la izquierda - LEFT - HAND (dirección contraria a las manecillas del reloj), vista desde la posición del operador, y colocar correctamente todos los elementos que fijan la cuchilla.



# ANTES DE OPERAR LA MAQUINA

## COMBUSTIBLE: LA MEZCLA DE GASOLINA Y ACEITE

Los motores de dos ciclos que se usan en la cortadora de maleza requieren como combustible una mezcla de GASOLINA y ACEITE para la lubricación de cojinetes y otros elementos móviles. Consulte la tabla siguiente.

Mezcla de Combustible Table

Gasolina	Aceite para motores de dos tiempos	
	50:1	25:1
	ISO-L-EGC/ EGD, JASO clase FC/ FD, o aceite para motores de dos tiempo equivalentes	ISO-L-EGB, JASO clase FB, o aceite para motores de dos tiempos equivalentes
1 litro	20 mL	40 mL
2 litros	40 mL	80 mL
5 litros	100 mL	200 mL

**NOTA :** Siempre mezcle por anticipado la gasolina y el aceite en un recipiente limpio, aprobado para gasolina. Nunca mezcle la gasolina y el aceite en un recinto interior o utilizando, para hacer la mezcla, el depósito de combustible. Use siempre gasolina fresca.

**¡¡ADVERTENCIA!! NUNCA USE EN MOTORES MARUYAMA GASOHOL O COMBUSTIBLES MEZCLADOS CON ALCOHOL.**

Antes de llenar el depósito de combustible, limpie alrededor de la tapa del depósito de combustible para evitar que mugre o desechos entren al depósito de combustible cuando se encuentra destapado. Cierre el recipiente y agítelo por un momento para mezclar bien el aceite y la gasolina antes de llenar el depósito de combustible de la Cortadora Maleza. Remueva la tapa y luego llene el depósito de combustible hasta unos 10 mm. del borde. Evite llenar el cuello de la boca del depósito y vuelva a colocar la tapa en forma segura.

## INSTRUCCIONES DE OPERACION

### Arranque y Parada

#### PROCEDIMIENTO PARA EL ARRANQUE EN FRIO

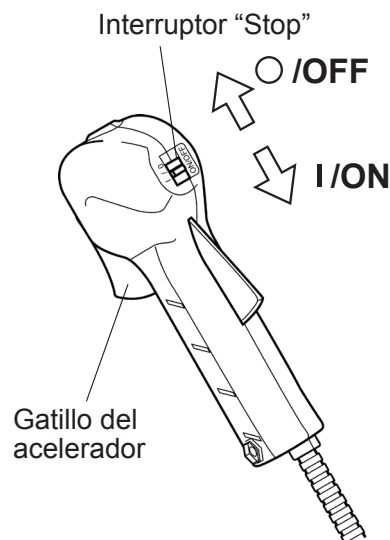
El carburador de este motor está equipado con un sistema de cebado de combustible y un estrangulador. Para arrancar un motor en "frío" correctamente, siga el procedimiento siguiente:

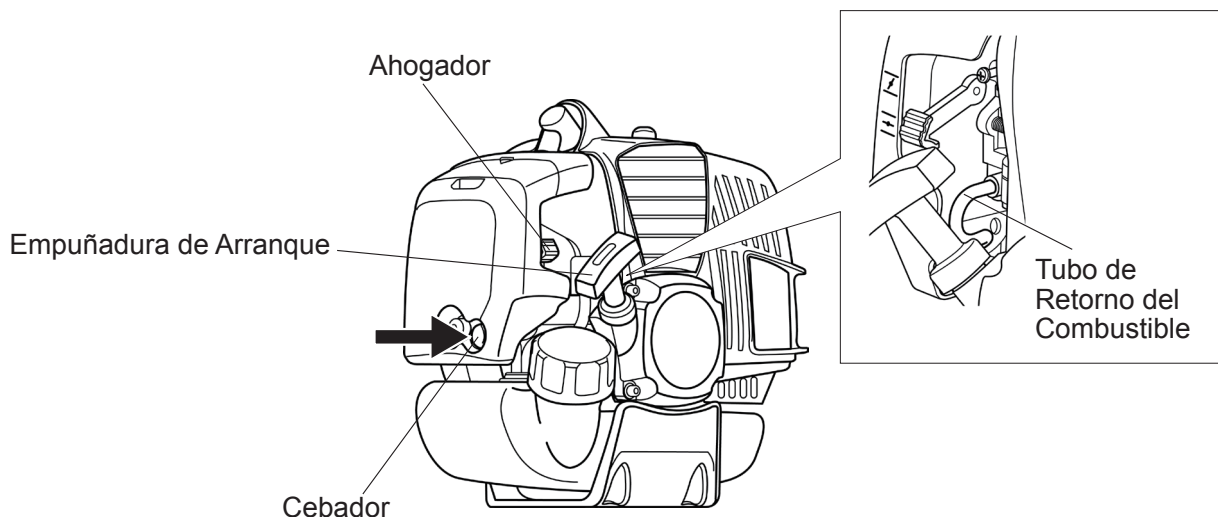
1. Bombee la pera del cebador hasta ver fluir al depósito el combustible a través del tubo de retorno. El flujo de combustible debería estar casi limpio, no lleno de espuma ni de burbujas.
2. Gire la palanca del estrangulador hasta la posición "CLOSE" "☒".
3. Con el interruptor de parada en "I/ON", y tire de la cuerda del arrancador.

Una vez arrancado el motor, gire la palanca del estrangulador hasta la posición "OPEN" "☒".

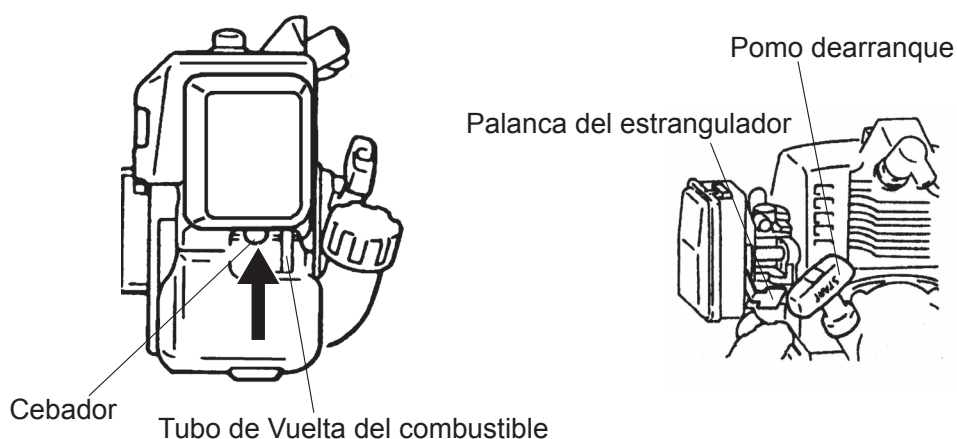
Si el motor se para antes de girar la palanca del estrangulador hasta la posición "OPEN" "☒".

"OPEN" "☒", abra el estrangulador, tire de la cuerda del arrancador.





[BC360HT, BC360HE]



[BC420HE]

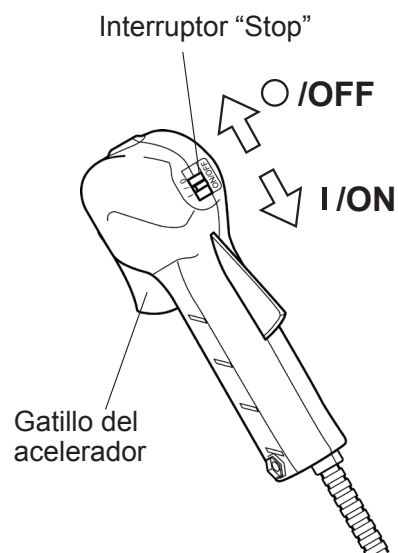
## ARRANQUE EN CALIENTE

Para arrancar el motor que ya está caliente (rearranque en caliente):

1. Bombee la pera del cebador hasta ver fluir al depósito el combustible a través del tubo de retorno. El flujo de combustible debería estar casi limpio, no lleno de espuma ni de burbujas.
2. Gire la palanca del estrangulador hasta la posición "☰" "OPEN", y deslice el interruptor Stop a la posición "I/ON".
3. Deje el gatillo del acelerador en la posición de ralentí y tire de la empuñadura del arrancador.
4. Si el motor no arranca después de tres o cuatro intentos, siga las instrucciones del apartado "Procedimiento de arranque en frío".  
Si el motor no arranca después de haber seguido los procedimientos arriba descritos, póngase en contacto con un distribuidor autorizado de MARUYAMA

## PARA PARAR EL MOTOR

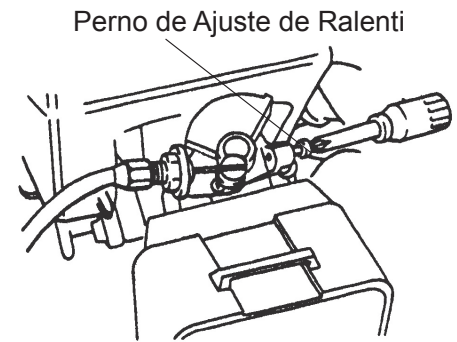
1. Suelte el gatillo del acelerador.
2. Deslice el interruptor de parada hasta la posición "○ /OFF".



## AJUSTE DEL CARBURADOR

El carburador ha sido cuidadosamente calibrado en fábrica y no debe requerir posteriores ajustes. Únicamente la velocidad de marcha en vacío puede ajustarse girando el tornillo de ajuste de velocidad de marcha en vacío (véase la Figura). La velocidad correcta del ralentí para los modelos BC360HT, BC360HE es de 2500 a 2900 RPM, y para los modelos BC420HE es de 2400 a 2800 RPM (o justo por debajo de la velocidad del embrague). Al girar el tornillo de ajuste en la dirección de las manecillas del reloj se aumenta la velocidad de marcha en vacío.

Si se necesitan mayores ajustes, por favor póngase en contacto con un distribuidor local autorizado por MARUYAMA.



## OPERACION DE LA CORTADORA DE MALEZA

Las cortadoras de maleza de MARUYAMA han sido diseñadas y probadas en el corte de casi cualquier tipo de pasto, maleza gruesa y vegetación tupida. A medida que usted continúa usando el equipo muchas de las tareas se le harán más fáciles.

**PRECAUCION** - Lea las INSTRUCCIONES DE SEGURIDAD en cuanto al uso apropiado de la cortadora de maleza que se encuentran en la página ES-1.

**PRECAUCION** - Observe todas las precauciones que aparecen en la cortadora de maleza.

**PRECAUCION** - Use el tipo de cuchilla apropiada para la máquina y aprobado para realizar la tarea a realizar.

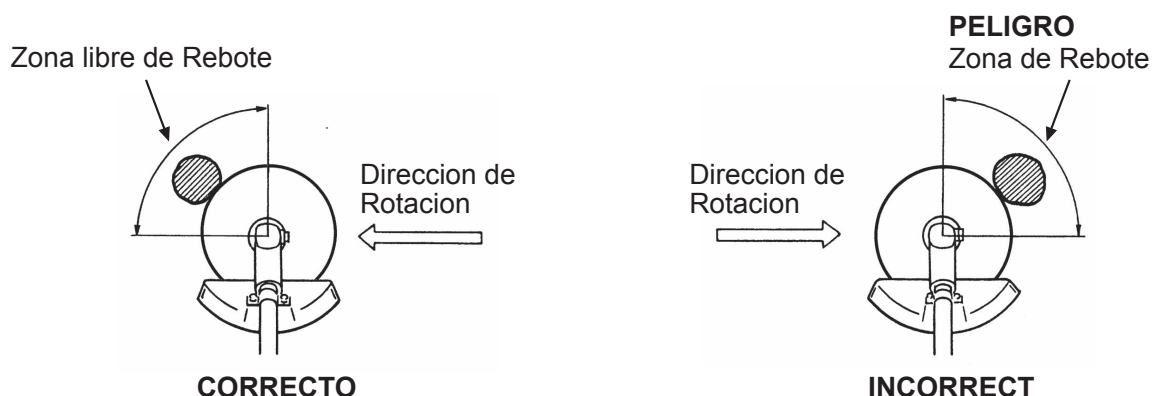
**PRECAUCION** - Siempre use el Arnés para el Hombro cuando opere la cortadora de maleza con una cuchilla metálica. La cortadora de maleza debe ponerse en el lado derecho del operador cuando se usa una cuchilla metálica.

**PRECAUCION** - Siempre verifique que la cuchilla se ha instalado para girar en la dirección apropiada y que todos los elementos de fijación e instalación están correctamente colocados y asegurados.

**PRECAUCION** - Quite el elemento de inmovilización (Llave Hexagonal de 4mm) antes de operar el equipo!

**PRECAUCION** - No use una cuchilla sin filo, averiada o que produce vibración al usarse. Cuando la cuchilla se atasca con desperdicios apague el motor inmediatamente y limpie la cuchilla.

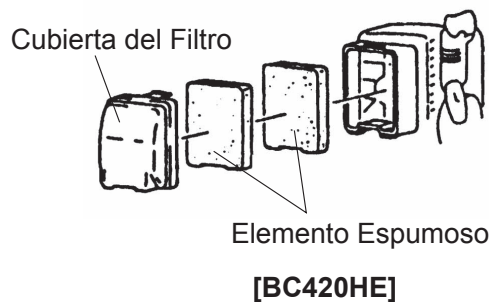
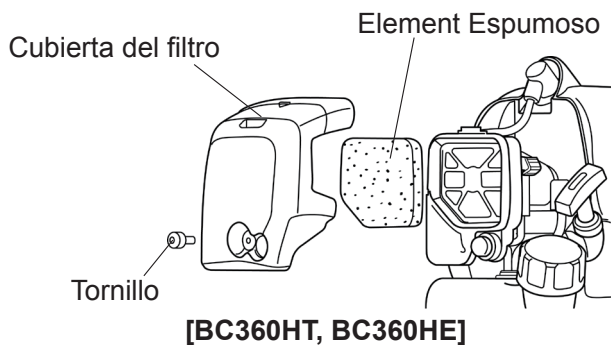
**PRECAUCION** - Cuando corte vegetación tupida o arbustos pequeños use el método apropiado para evitar el peligroso "KICK BACK" (que se ilustra en la figura).



# MANTENIMIENTO REGULAR

## FILTRO DE AIRE

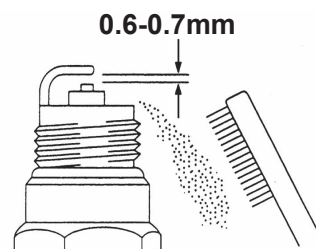
El filtro de aire debe limpiarse cada vez que se ha usado la cortadora de maleza (o aún con más frecuencia en condiciones extremas). Remueva la cubierta del filtro y saque el elemento. Lave el elemento en kerosén o con un detergente en agua tibia. Y luego, séquelo, exprimiéndolo. Aplique aceite (#30 wt.) al elemento de espuma y remueva el exceso de aceite. Arme y vuelva a instalar el filtro de aire y la cubierta del element.



## BUJIA

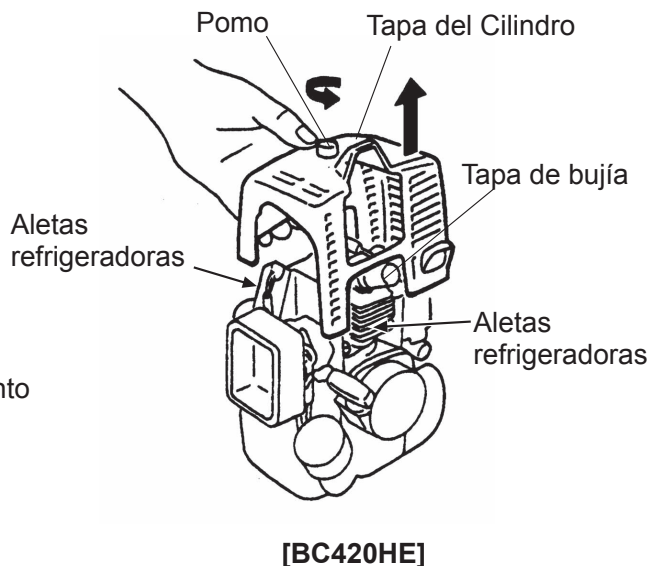
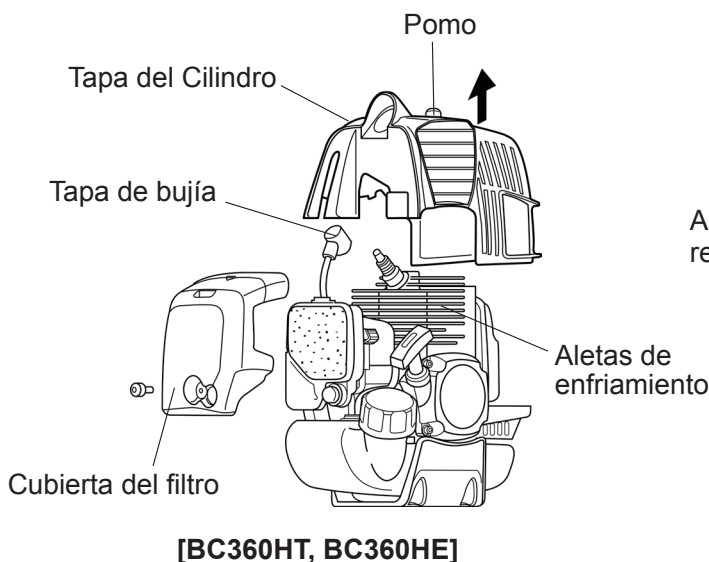
La bujía debe removerse del motor después de 25 horas de operación. Limpie los electrodos con un cepillo fuerte. Ajuste la distancia o luz entre electrodos a unos 0.6 - 0.7 mm. (vea la figura).

Reemplace la bujía si está averiada o dañada por el aceite. La vida útil de una bujía es de aproximadamente 100 horas. PRECAUCION - No apriete demasiado la bujía. El esfuerzo de torsión correcto es de 10.7-16.6N • m(100 -160 kgf • cm)



## LIMPIEZA DE LAS ALETAS DEL CILINDRO

1. Retire la cubierta del filtro de aire.
2. Retire la tapa de bujía.
3. Afloje el pomo y levante la tapa del cilindro. Limpie toda la suciedad y los residuos de las aletas de enfriamiento y alrededor de la base del cilindro. Vuelva a instalar la tapa del cilindro y la cubierta del filtro de aire.



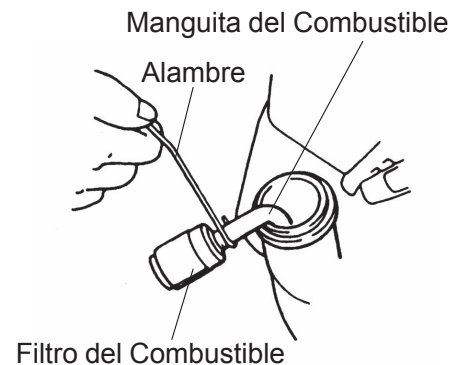
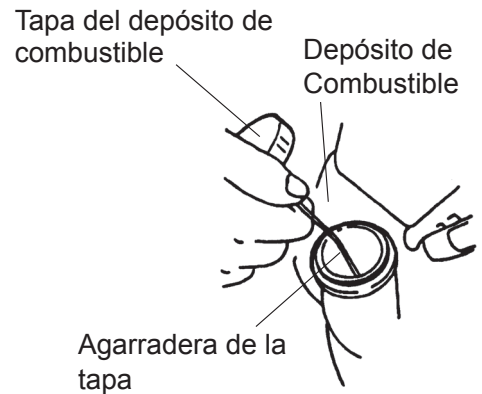
## **FILTRO DE COMBUSTIBLE**

El filtro de combustible debería cambiarse tras 100 horas de funcionamiento.

El filtro de combustible está fijado al extremo del tubo de captación de combustible en el interior del depósito.

Para cambiar el filtro de combustible:

1. Asegúrese de que el depósito esté vacío.
2. Afloje la tapa del depósito de combustible, levante y retire la agarradera de la tapa.
3. Con un gancho, extraiga con cuidado el filtro a través del orificio de llenado de combustible.
4. Agarre el tubo de combustible situado junto al racor del filtro y extraiga el filtro, pero sin soltar el tubo.
5. Coloque el nuevo filtro manteniendo el tubo de combustible aún agarrado.
6. Deje caer el nuevo filtro en el depósito.
7. Antes de volver a llenar de combustible, asegúrese de que el filtro no esté atascado en un rincón del depósito, y de que el tubo de combustible no esté doblado (retorcido).



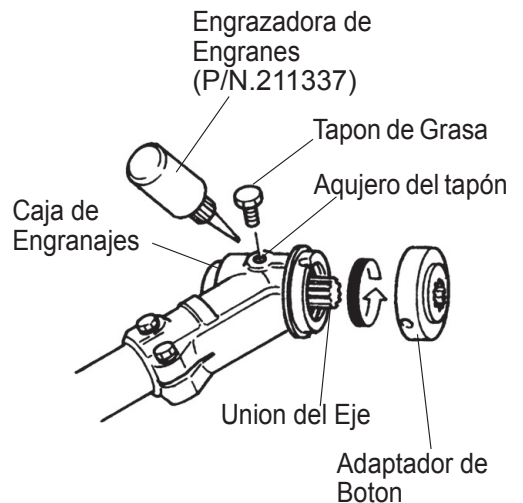
## **LUBRICACION DE LA CAJA DE ENGRANAJES**

La caja de engranajes deberá lubricarse después de cada período de 30 horas de uso. Retire el aditamento de corte y el adaptador de copa.

Limpie la mugre y desechos del área entre el adaptador de copa y la caja de engranajes. Retire el tapón de engrase del lado de la caja de engranajes. Gire el eje, a la vez que inyecta un lubricante para rodamientos a base de litio (P/N 211337) a través del hueco de engrase, hasta que llene la caja de engranajes. Reinstale el adaptador de copa y el tapón de engrase.

## **LIMPIEZA GENERAL Y AJUSTE**

La cortadora de maleza MARUYAMA proporcionará un desempeño máximo por muchas, muchas horas si se mantiene adecuadamente. El buen mantenimiento incluye la verificación regular del ajuste correcto de todos los sujetadores y la limpieza de toda la máquina.



## **ALMACENAMIENTO**

Para almacenamiento de la cortadora de maleza por un tiempo prolongado, siga todos los procedimientos regulares de mantenimiento y haga todas las reparaciones que sean necesarias. Remueva la bujía y ponga una pequeña cantidad de aceite. Halando la cuerda de arranque mueva el pistón hasta que llegue a la posición mas cercana al agujero donde se coloca la bujía. Vuelva a instalar la bujía. Guarde la cortadora de maleza en un lugar seco, alejado de fuentes de calor, chispas o llama abierta.





**Maruyama U.S., Inc.**  
4770 Mercantile Drive,  
suite 100,  
Fort Worth, TX 76137 U.S.A.  
Phone 940-383-7400  
Fax 940-383-7466

**[www.maruyama-us.com](http://www.maruyama-us.com)**  
560858-00 US/ES 20.12 IN