

Is Your Product Registered?

Contact your Dealer to verify.

Warranties are based on Registrations and reduced to 1 year without
Registration.

PARTS LIST

MSD41 (3/4IN)

CONTENTS

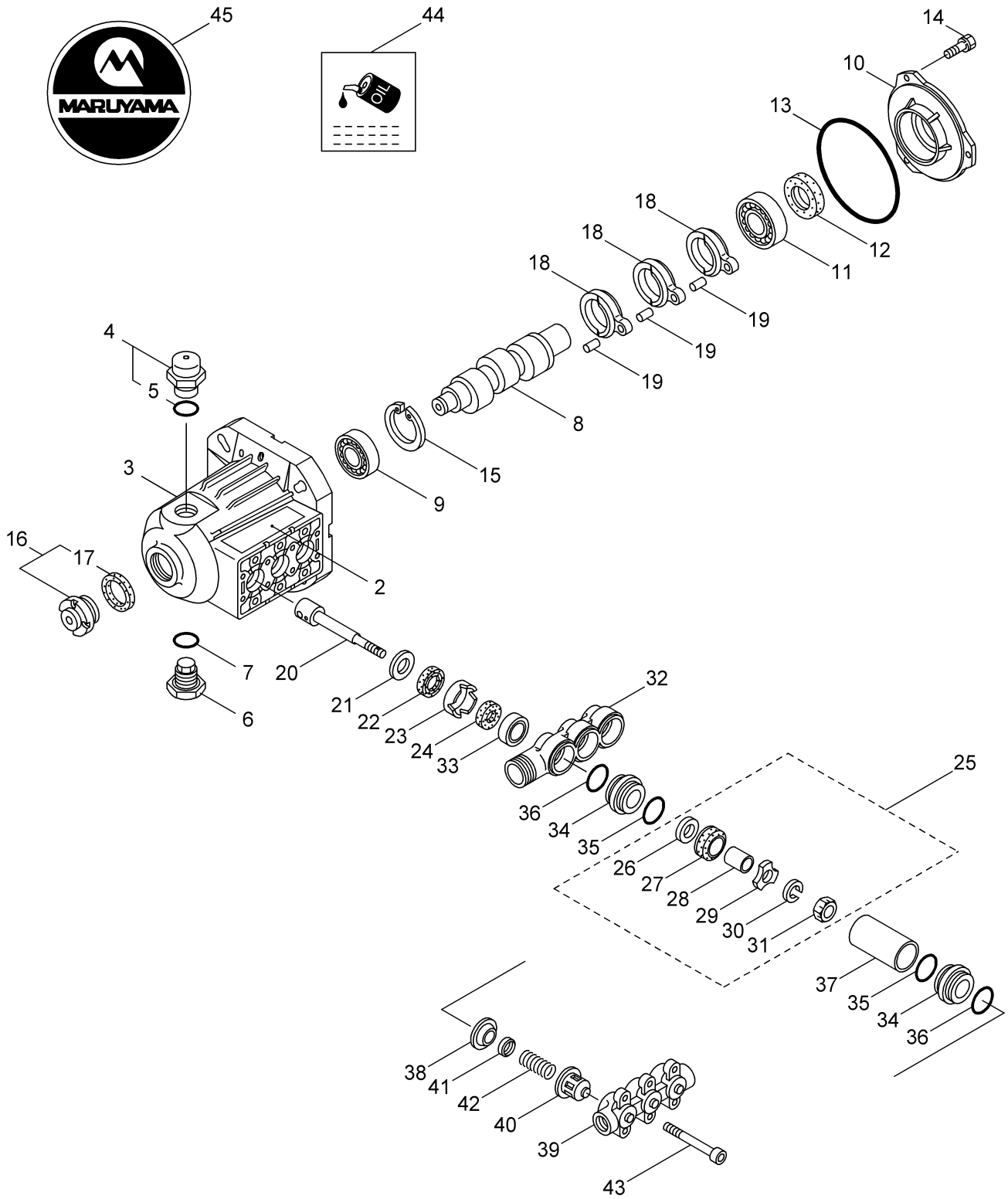
1. POWER SPRAYER (CRANK CASE,INLET VALVE).....	1 ~ 2
2. POWER SPRAYER (PRESSURE REGURATOR VALVE)	3 ~ 4
3. ACCESSORIES	5 ~ 6

2006.04



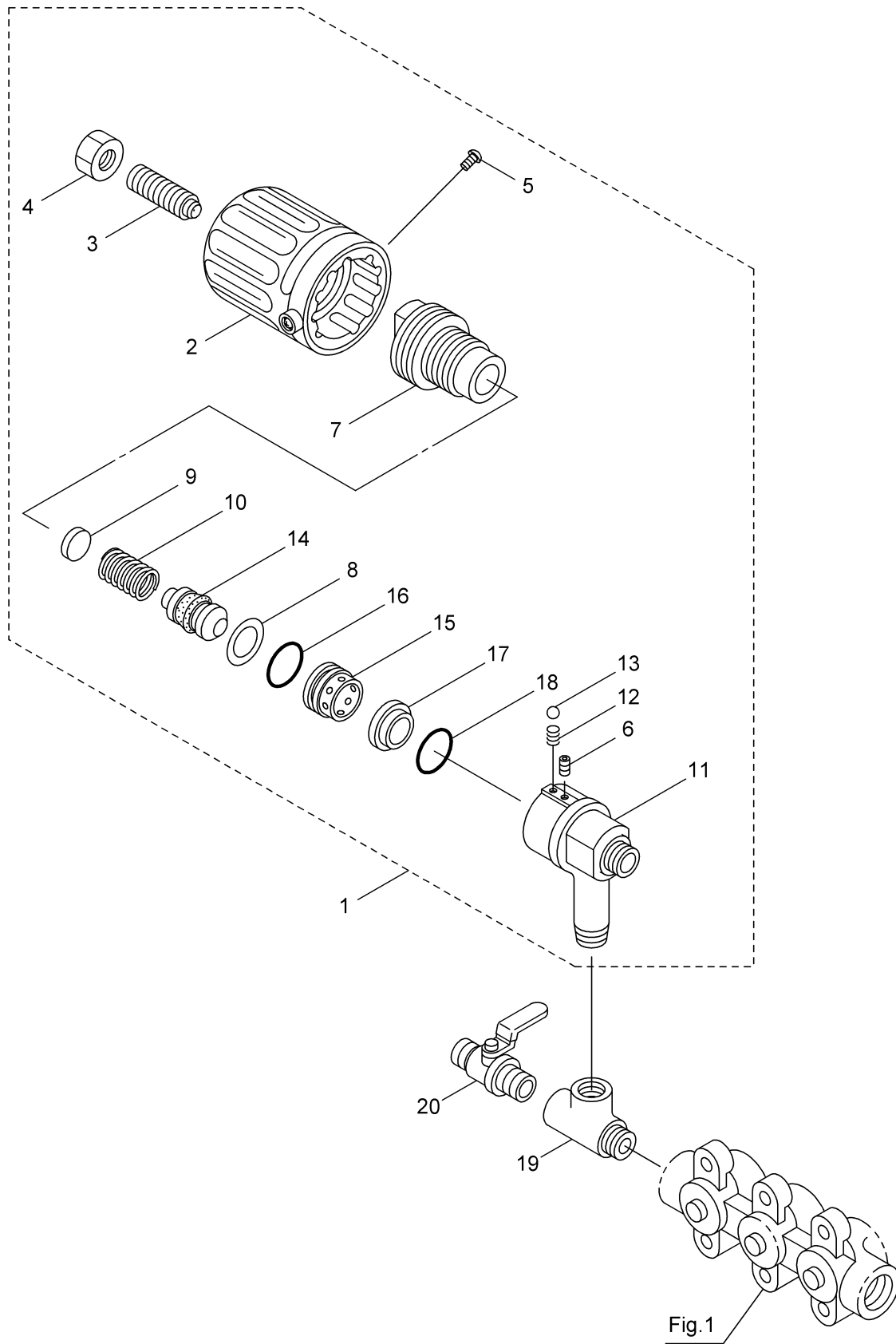
P/N. 522160

1. MSD41 (3/4IN) POWER SPRAYER (CRANK CASE, INLET VALVE)



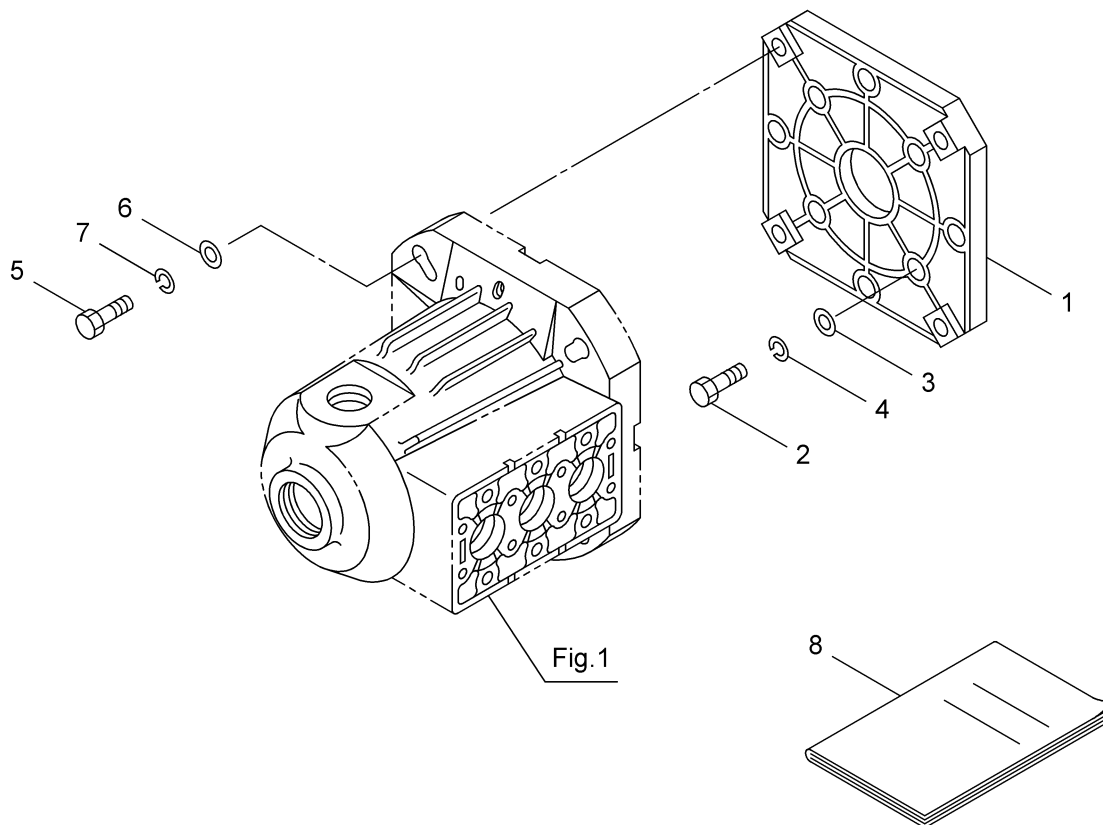
Ref.No.	Parts No.	Parts Name	Q'ty	Remarks
1-1	354051	MSD41(3/4IN)	1	
1-2	548895	Label	1	MSD41
1-3	547333	Crankcase	1	
1-4	547961	Oil Filler Cap, Ass'y	1	Incl.5
1-5	014179	O-Ring	1	P20
1-6	044842	Plug	1	
1-7	014179	O-Ring	1	P20
1-8	545981	Crankshaft	1	7.0X19.07
1-9	015710	Bearing	1	#6204
1-10	547153	Bearing Case	1	2SF
1-11	014488	Bearing	1	#6006
1-12	055337	Oil Seal	1	D30428
1-13	014041	O-Ring	1	S100
1-14	547161	Bolt	3	M6X14
1-15	012385	Snap Ring	1	
1-16	092241	Oil Gauge Ass'y	1	Incl.17
1-17	044428	Packing	1	25X34XT2
1-18	547046	Connecting Rod	3	2SF38MM
1-19	016948	Piston Pin	3	9X22
1-20	541809	Piston Rod	3	
1-21	020017	Washer	3	17X24XT1.2
1-22	025461	Oil Seal	3	S10.5247
1-23	044869	Seal Retainer	3	
1-24	011402	Oil Wick	3	10X19X5
1-25	639503	A Block	3	Incl.26-31
1-26	014122	Inlet Valve Seat	3	6.1X20XT2.8
1-27	116121	Piston Packing	3	
1-28	027348	Spacer	3	6X8.5X10.5
1-29	119917	Piston Retainer	3	
1-30	015849	Spring Washer	3	M6
1-31	046365	Nut	3	M6
1-32	545944	Manifold A	1	
1-33	540670	U Packing	3	
1-34	546860	Adapter	6	
1-35	015862	O-Ring	6	P21
1-36	023172	O-Ring	6	P22
1-37	541811	Cylinder Pipe	3	25X28.5XL43
1-38	044881	Valve Seat	3	
1-39	544499	Manifold B	1	
1-40	044565	Valve Sack	3	
1-41	548608	Valve	3	16X1.5
1-42	541062	Spring	3	0.6-15L
1-43	544090	Cap Screw	6	M8X110X28
1-44	548767	Label	1	
1-45	545158	Label	1	

2. MSD41 (3/4IN) POWER SPRAYER (PRESSURE REGURATOR VALVE)



Ref.No.	Parts No.	Parts Name	Q'ty	Remarks
2-1	546849	Pressure Regulator Valve, Ass'y	1	Incl.2-18
2-2	540936	Grip	1	
2-3	088913	Hexagon Socket Screw	1	M8X35
2-4	081039	Nut	1	M8
2-5	087483	Screw	2	M3XP0.5X5
2-6	088912	Hexagon Socket Screw	1	M4X6
2-7	106495	Guide	1	
2-8	106499	Washer	1	16X21X0.7T
2-9	541769	Spring Seat	1	15XT2.5
2-10	548819	Spring	1	3.0-31L
2-11	546500	Body	1	
2-12	107221	Spring	1	0.6-7L
2-13	106498	Valve Ball	1	5/32
2-14	543591	Piston Ass'y	1	
2-15	103306	Sleeve	1	
2-16	019261	O-Ring	1	P16
2-17	543507	Valve Seat	1	
2-18	019261	O-Ring	1	P16
2-19	542258	Cheese	1	R3/8XR3/8
2-20	541796	Ball Cock	1	R3/8XG1/4

3. MSD41 (3/4IN) ACCESSORIES



Ref.No.	Parts No.	Parts Name	Q'ty	Remarks
3-1	046271	Flange	1	
3-2	044843	Bolt	4	5/16-24UNFX20
3-3	012489	Washer	4	M8
3-4	015845	Spring Washer	4	M8
3-5	044683	Bolt	4	3/8-16UNCX35
3-6	012490	Washer	4	M10
3-7	012503	Spring Washer	4	M10
3-8	546043	Instruction Manual	1	MSD40



Maruyama U.S., Inc.
3570 Shelby Lane
Denton, TX 76207
940-383-7400 voice
940-383-7466 fax

www.maruyama-us.com