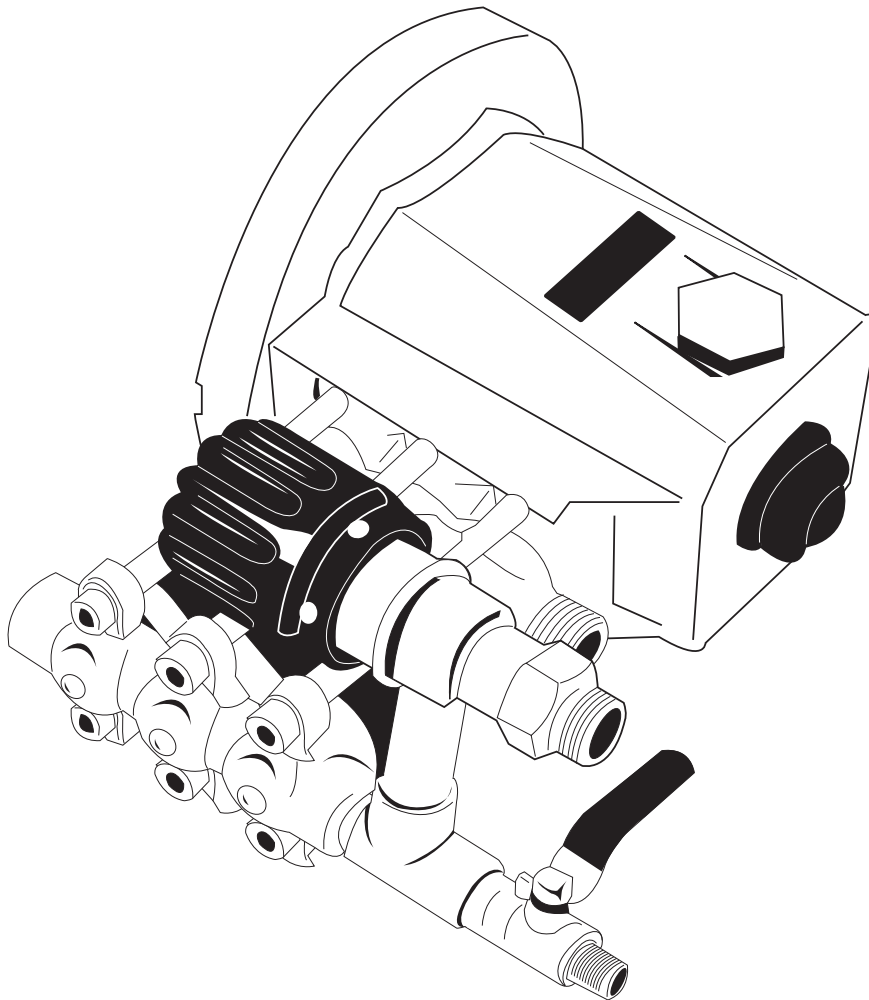


MARUYAMA

ILLUSTRATED PARTS LIST

MSD40

Pump

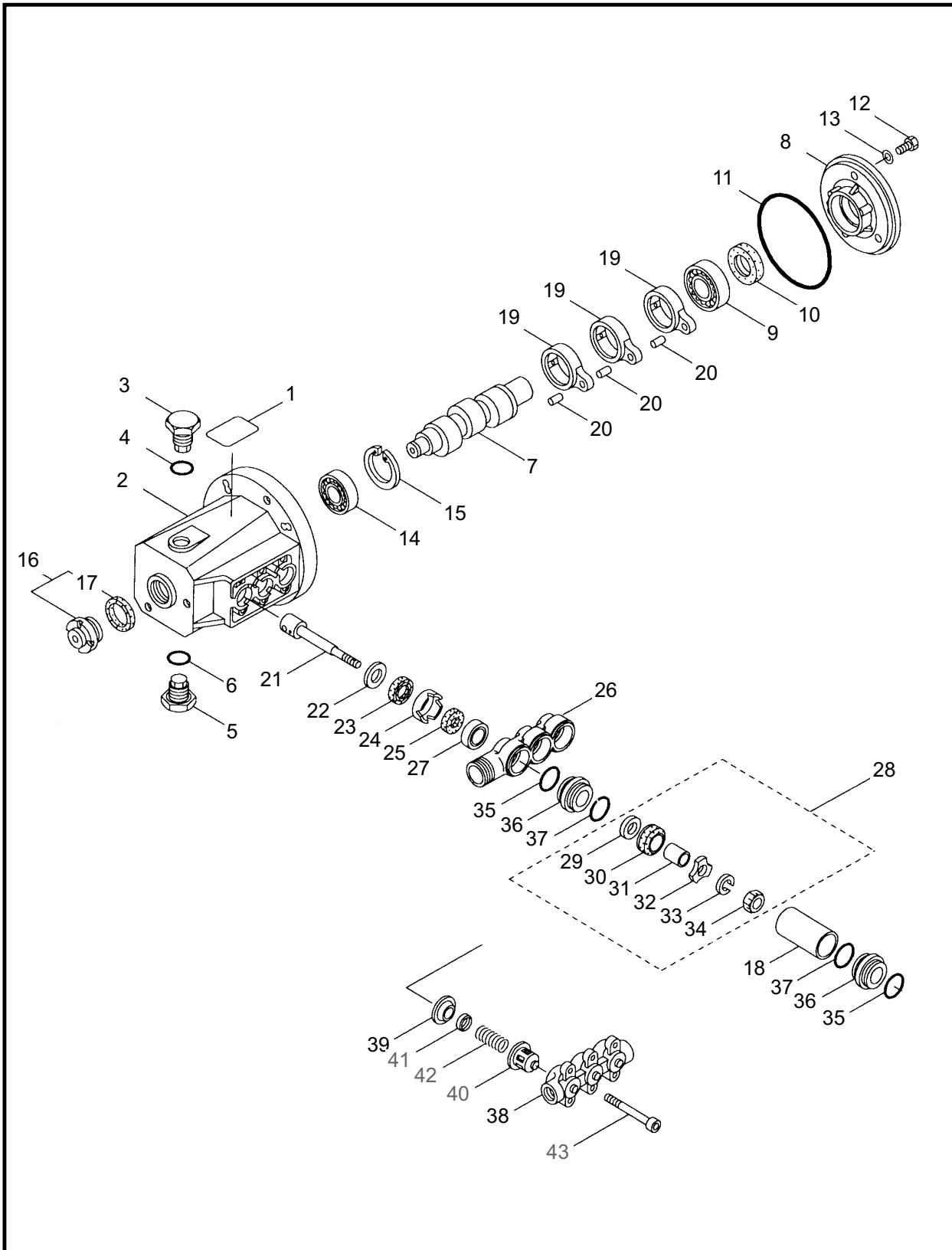


MSD40
PUMP
PART 845420-REV10/03



Maruyama. *E x t r a o r d i n a r y .*

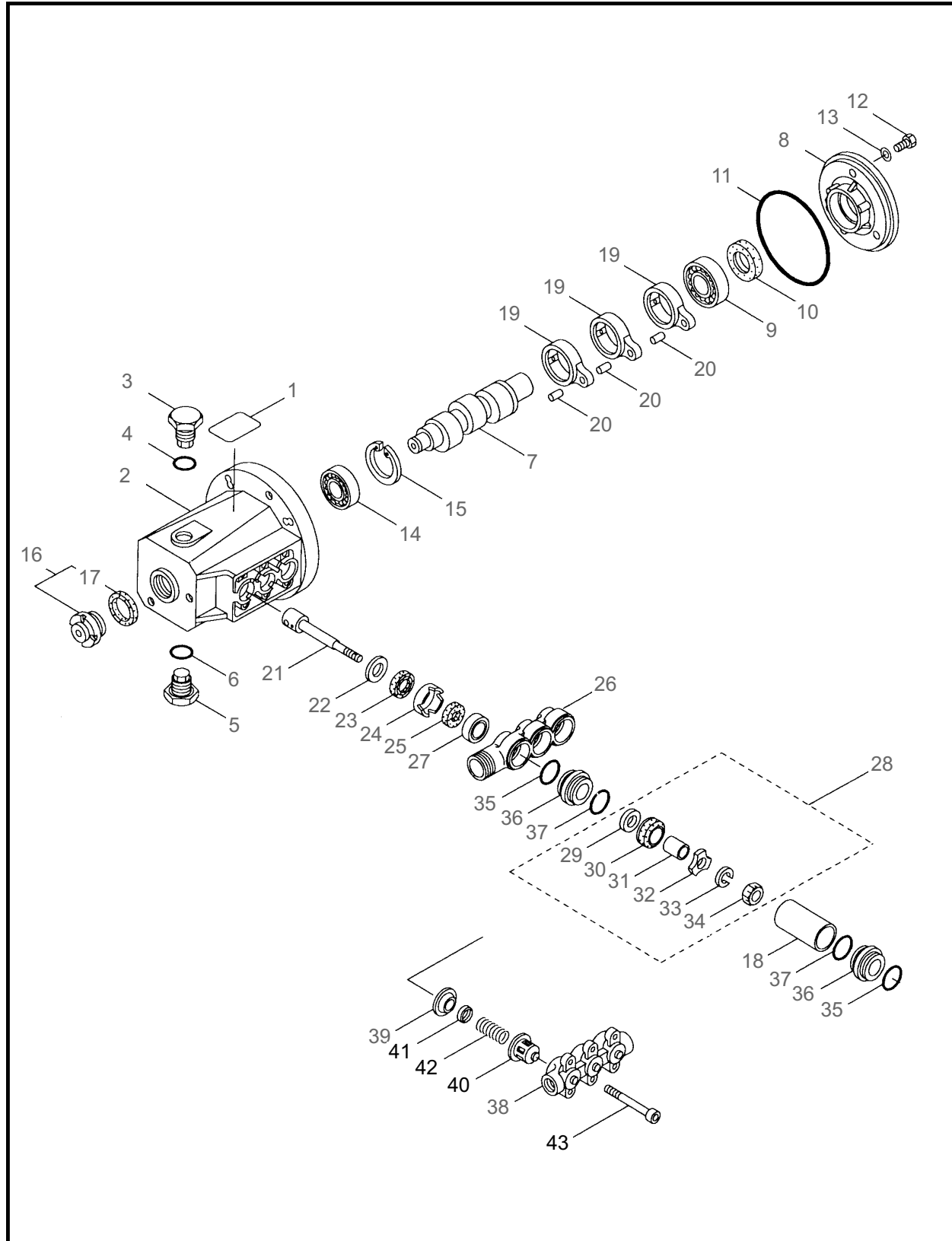
CRANKCASE, INLET VALVE



REF #	PART #	DESCRIPTION	Q'TY.	NOTES
1	546000	Label	1	
2	546041	Crankcase	1	
3	044839	Oil Filler Cap	1	
4	014179	O-Ring	1	
5	044842	Plug	1	
6	014179	O-Ring	1	
7	545943	Crankshaft	1	
7	545981	Crankshaft	1	
7	546772	Crankshaft	1	
8	044857	Bearing Case	1	
9	014488	Bearing	1	#6006
10	044859	Oil Seal	1	
11	014044	O-Ring	1	
12	089551	Bolt	3	M6X16
13	150810	Seal Washer	3	M6
14	015710	Bearing	1	#6204
15	012385	Snap Ring	1	
16	092241	Oil gauge Ass'y	1	Incl.17
17	044428	Packing	1	
18	541811	Cylinder Pite	3	
19	045876	Connecting Rod	3	
20	061948	Piston Pin	3	
21	541809	Piston Rod	3	
22	020017	Washer	3	
23	025461	Oil Seal	3	
24	044869	Seal Retainer	3	
25	011402	Oil Wick	3	
26	545944	Inlet Manifold	1	
27	540670	U-Packing	3	
28	639503	Inlet Valve Ass'y	3	incl.29-34
29	014122	Inlet Valve Seat	3	
30	116121	Piston Packing	3	
31	027348	Spacer	3	
32	11/9917	Retainer, Piston	3	
33	014849	Spring Washer	3	M6
34	046365	Nylon Nut	3	M6
35	023172	O-Ring	6	
36	546860	Pipe Receiver	6	
37	015862	O-Ring	6	
38	544499	Discharge Manifold	1	
39	044881	Valve Seat	3	

4 ILLUSTRATED PARTS LIST
MSD40

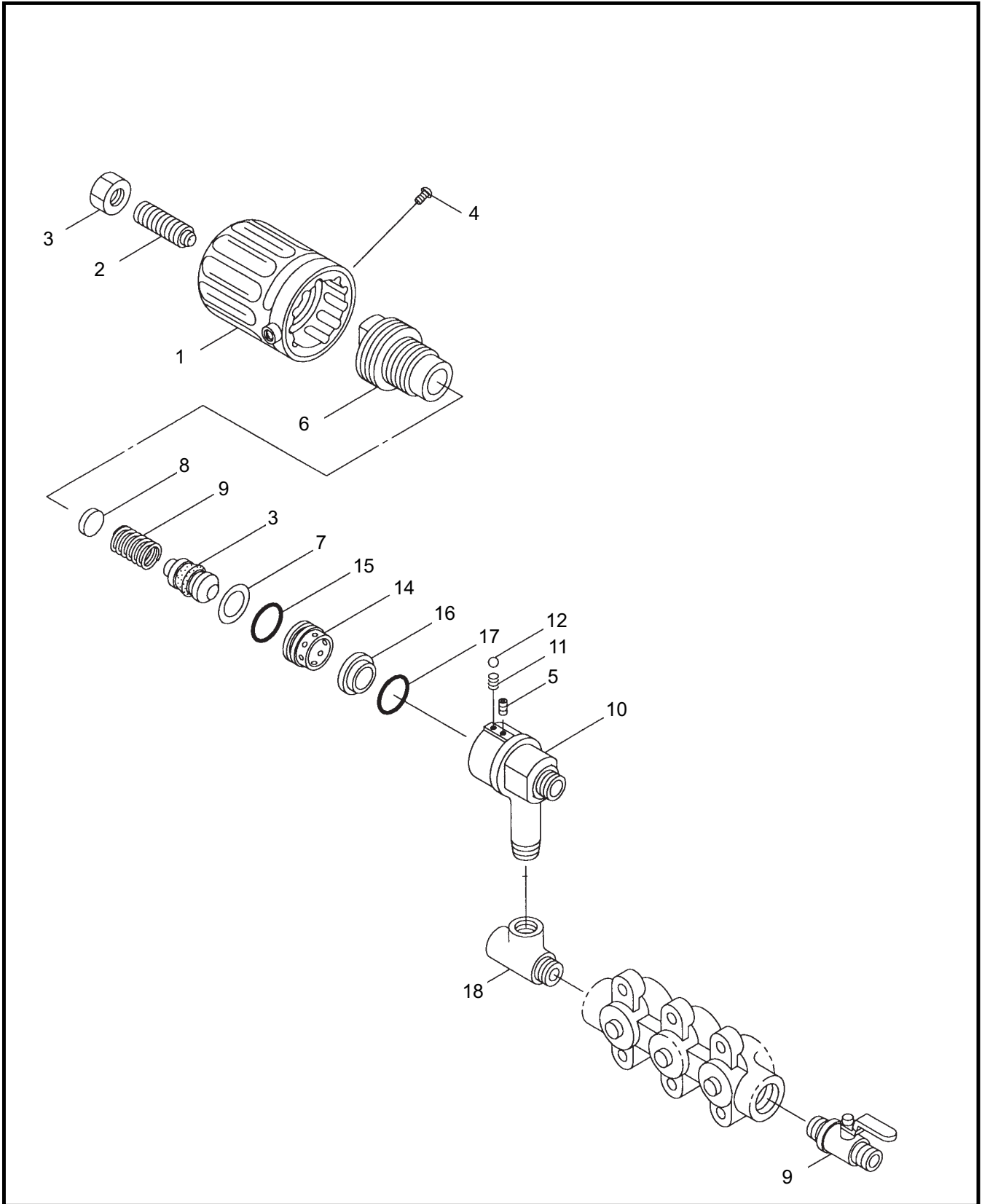
CRANKCASE, INLET VALVE



REF #	PART #	DESCRIPTION	Q'TY.	NOTES
40	044565	Retainer	3	
41	043723	Discharge Valve	3	
42	541062	Spring	3	
43	544090	Cap Screw	6	

MSD40

PRESSURE REGULATOR VALVE



REF #	PART #	DESCRIPTION	Q'TY.	NOTES
1	540936	Grip	1	
2	088913	Cap Screw	1	
3	081039	Nut	1	M8
4	087483	Screw	2	
5	088912	Cap Screw	1	M4X6
6	106495	Guide	1	
7	106499	Washer	1	
8	541769	Retainer	1	
10	109298	Body	1	
11	107221	Spring	1	
12	106498	Ball	1	
13	543591	Piston Ass'y	1	
14	103306	Sleeve	1	
15	019261	O-Ring	1	
16	543507	Valve Seat	1	
17	019261	O-Ring	1	
18	542258	Tee	1	PT3/8
19	541796	Cock Ass'y	1	PT3/8XPF1.4



Maruyama U.S., Inc.
3570 Shelby Lane
Denton, TX 76207
940-383-7400 voice
940-383-7466 fax

www.maruyama-us.com