

PARTS LIST

MS755

CONTENTS

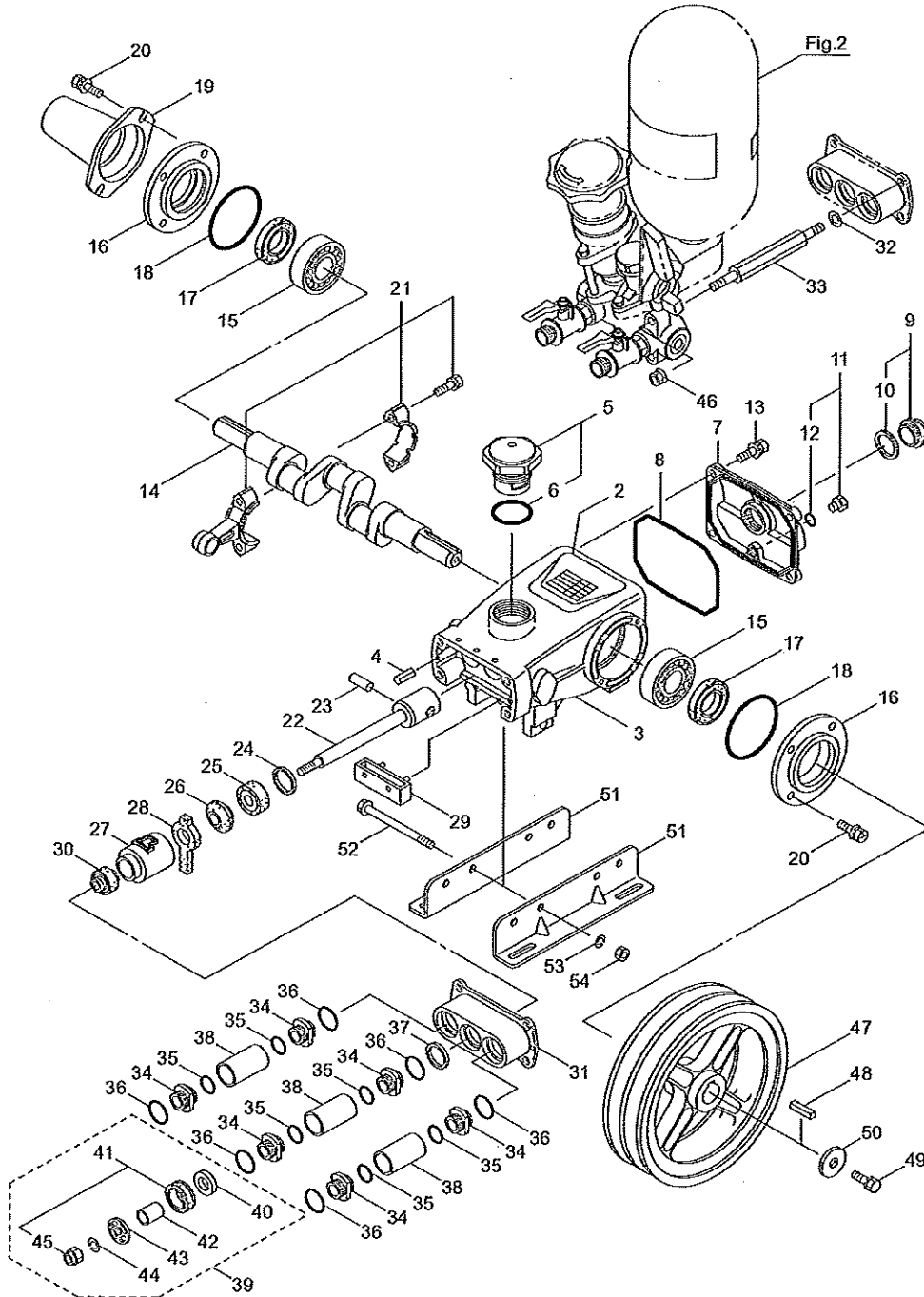
1. CRANKCASE, SUCTION VALVE	1 ~ 4
2. PRESSURE REGULATOR VALVE.....	5 ~ 8
3. ACCESSORIES	9 ~ 10

2016. 10.



P/N E623299

1. MS755
CRANKCASE, SUCTION VALVE



- 1 -

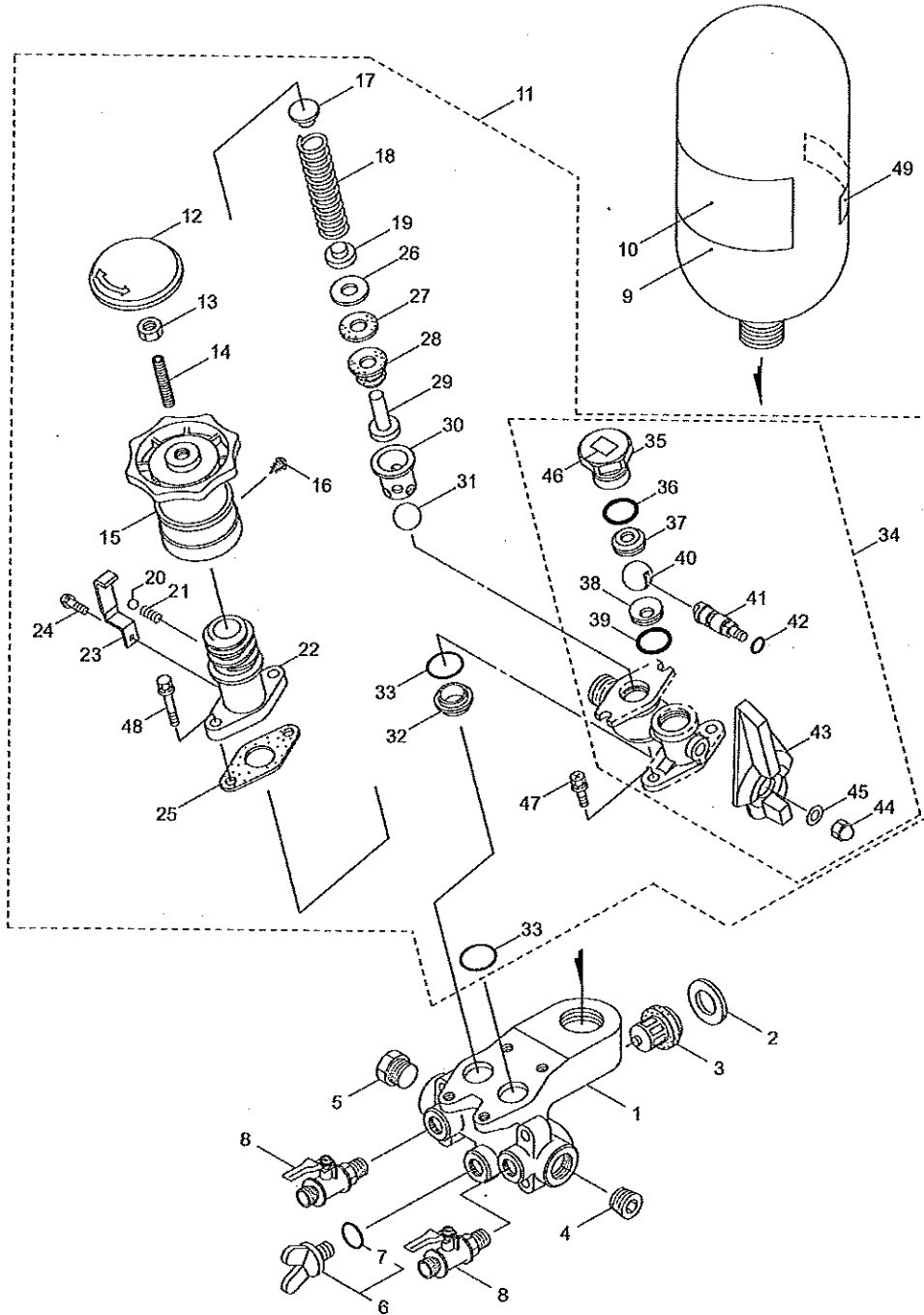
1

Status	Position	Parts Number	Parts Name	Unit Quantity	Set Unit Quantity	Remarks	Price	Price	Price	Price	Price	Price	Price	Price	Price
--------	----------	--------------	------------	---------------	-------------------	---------	-------	-------	-------	-------	-------	-------	-------	-------	-------

Status	Position	Parts Number	Parts Name	Unit Quantity	Set Unit Quantity	Remarks	Price	Price	Price	Price	Price	Price	Price	Price	Price	Mt	Ct
	1	354134	MS755	1													
	2	130489		1		MS755	0	0	0	0	0	0	0	0	0		
x	3	130506	CRANKCASE	1			7256	4665	23400	5024	4665	1008.31	3429				
	4	027488	GUIDE PIN	2	5		28	10	36	10	10	0.99	4				
	5	091264	CAP OIL FILLER	1		Incl.6	310	65	403	70	65	13.96	48				
	6	014177	O-RING	1		P35	60	13	78	14	13	2.78	10				
	7	130509	REAR COVER CRANKCASE	1			1798	1156	3218	1245	1156	249.84	850				
	8	014070	O-RING	1		S150	190	79	247	85	79	16.99	58				
	9	092241	OIL GAUGE	1		Incl.10	120	70	156	75	70	15.04	52				
	10	044428	PACKING	1	5	25x34xt2	15	13	20	14	13	2.78	10				
	11	091376	PLUG ASSY	1		Incl.12, G1/4	140	43	182	47	43	9.27	32				
	12	023170	O-RING	1	5	P12.5	20	10	26	10	10	0.5	2				
	13	125824	BOLT	4	5	M6x16	10	10	17	10	10	1.09	4				
	14	028203	CRANKSHAFT (W/8MM HOLES)	1			13350	8223	17355	8856	8223	1777.59	6044				
	15	047080	BEARING 6306	2		#6306	670	342	871	368	342	73.81	251				
	16	130479	OIL SEAL CASE	2			423	272	780	293	272	58.68	200				
	17	027330	SEAL OIL	2		D30458	380	68	494	73	68	14.55	50				
	18	026965	O-RING SEAL CASE	2		71.7x1.6	85	36	111	39	36	7.73	27				
	19	108379	SHAFT PROTECTOR	1			190	156	247	168	156	33.67	115				
	20	125824	BOLT	8	5	M6x16	10	10	17	10	10	1.09	4				
	21	048733	CONNECTING ROD	3			1150	358	1495	385	358	77.21	263				
	22	120971	PISTON ROD	3			1454	935	4388	1007	935	201.98	687				
	23	020251	PIN PISTON ROD	3		11X29L	140	58	182	62	58	12.36	42				
	24	126585	WASHER SEAL	3	5	24x32xT1.2	18	10	23	10	10	0.99	4				
	25	027987	SEAL OIL	3		S10.5 32 7	150	55	195	59	55	11.74	40				
	26	026853	PACKING	3	5		33	10	43	10	10	2.01	7				
	27	027341	RETAINER SEAL	3			150	80	195	86	80	17.24	59				
	28	130517	FELT PACKING	3			45	29	98	31	29	6.18	21				
	29	027911	PAN OIL	1			130	12	169	13	12	2.56	9				
	30	100015	SEAL PACKING	3			950	282	1235	303	282	60.81	207				
	31	108383	INLET MANIFOLD	1			8250	4478	10725	4822	4478	967.86	3291				
	32	126593	WASHER SHIM	4	5	10.5x15.5xt1.5	13	10	17	10	10	0.72	3				
	33	130495	CYLINDER BOLT	4		M10x135x40.5x25	1000	643	975	693	643	138.98	473				
x	34	130542	PIPE RECEIVER	6			445	286	683	308	286	61.77	210				
	35	027536	O-RING 27.2X2.65	6	5	27.2x2.65	38	11	49	12	11	2.32	8				
	36	026969	O-RING CYLINDER	6	5	31.3x2.65	50	13	65	14	13	2.65	9				

Status	Position	Parts Number	Parts Name	Unit Quantity	Set Unit Quantity	Remarks	Price	Price	Price	Price	Price	Price	Price	Price	Mi	ct
	37	027954	PACKING	1	5	32x38xt0.5	16	10	23	11	10	2.17	8			
	38	108425	CYLINDER PIPE	3		32x38x70	5300	2150	6890	2316	2150	464.78	1581			
	39	632584	A-BLOCK	3		Incl.40-45	928	862	3900	928	862	186.14	633			
	40	027944	MACHINED DISC	3		7x28xt3.8	675	137	878	147	137	29.5	101			
	41	632587	PISTON PACKING ASSY	3		Incl.45	1026	660	2048	710	660	142.53	485			
	42	027796	SPACER PISTON	3		7x10x11.5L	265	35	345	37	35	7.42	26			
	43	027947	RETAINER PISTON	3		7x26xt3	675	62	878	67	62	13.28	46			
	44	015850	WASHER LOCK	3	5	M7	13	10	17	10	10	1.09	4			
	45	115598	NUT	3		M7	156	100	156	108	100	21.62	74			
	46	126567	FLANGED HEX NUT M10	4	5	M10	28	10	36	10	10	1.77	6			
	47	108408	V-PULLEY	1		229-Bx2	1352	869	5135	936	869	187.77	639			
	48	064203	KEY	1		7x7x30L	85	32	111	34	32	6.8	24			
	49	126258	HEX HEAD SCREW	1	5	M8x20	18	11	23	12	11	2.32	8			
	50	126198	WASHER	1	5	8.5x30xT3.2	20	13	33	14	13	2.78	10			
	51	117634	ANGLE RAIL	2			649	418	715	450	418	90.18	307			
	52	126533	BOLT HEX	2		M10x140x32	110	51	143	55	51	11.03	38			
	53	126231	WASHER LOCK	2	5	M10	18	10	23	10	10	0.47	2			
	54	126522	NUT	2	5	M10	20	10	26	10	10	0.84	3			

2. MS755
PRESSURE REGULATOR VALVE



- 5 -

1

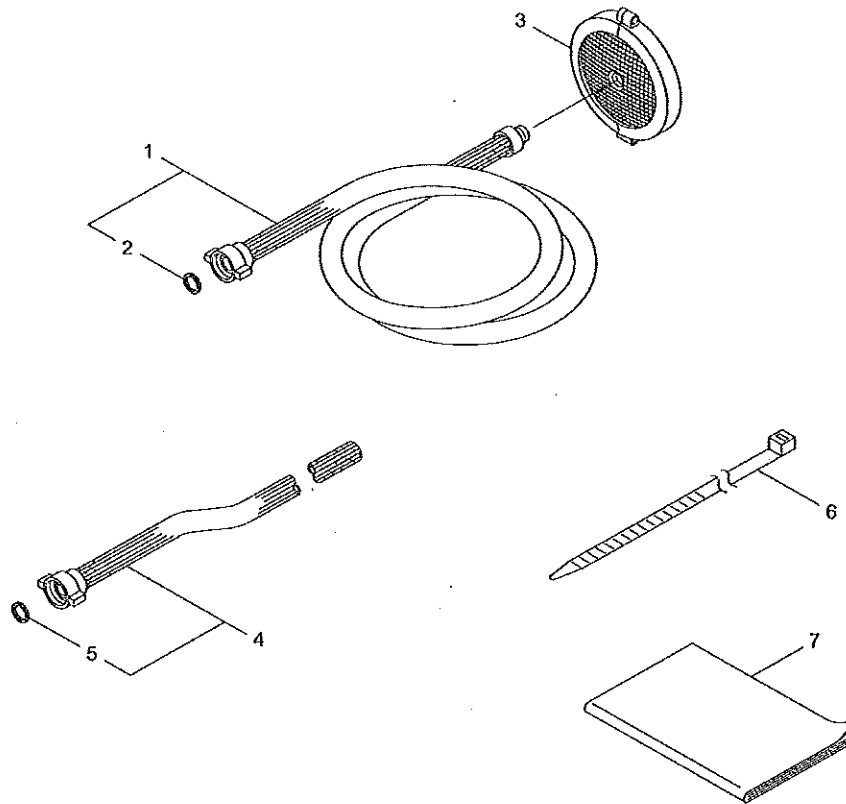
Status	Position	Parts Number	Parts Name	Unit Quantity	Set Unit Quantity	Remarks	Price	Price	Price	Price	Price	Price	Price	Price	Price	Price	Price	Price	Maker code
--------	----------	--------------	------------	---------------	-------------------	---------	-------	-------	-------	-------	-------	-------	-------	-------	-------	-------	-------	-------	------------

Status	Position	Parts Number	Parts Name	Unit Quantity	Set Unit Quantity	Remarks	Price	Price	Price	Price	Price	Price	Price	Price	Maker code
	1	120906	DISCHARGE MANIFOLD	1			5623	3615	32760	3893	3615	781.33	2657		
	2	108406	WASHER	3		21.5x36xt3	78	50	169	54	50	10.81	37		
	3	120236	MACHINED DISC	3			626	403	1365	434	403	86.98	296		
	4	130470	PLUG	1		R3/4	389	250	494	270	250	54.05	184		
	5	108399	PLUG	1		R3/4	245	158	423	170	158	33.98	116		
	6	632737	PLUG SET	1		Incl.7 G1/4	325	177	423	191	177	38.18	130		
	7	023170	O-RING	1	5	P12.5	20	10	26	10	10	0.5	2		
	8	120835	BALL LEVER	2		G3/8xR3/8	823	529	975	570	529	114.27	389		
	9	130442	AIR CHAMBER	1			4235	3933	19695	4235	3933	850.07	2891		
	10	130513	LABEL	1			45	29	39	31	29	6.18	21		
	11	130481		1		Incl.12-48	0	0	0	0	0	0	0		
	12	130472	CAP	1			154	99	137	107	99	21.31	73		
	13	126195	NUT	1	5	M10	10	10	17	10	10	1.33	5		
	14	120913	SET SCREW	1		M10x35	59	38	85	41	38	8.1	28		
	15	130482	GRIP	1			556	357	1040	385	357	77.16	263		
	16	089899	SCREW(+)	1	10	M4x13	10	10	10	10	10	1.32	5		
	17	108402	SPRING RETAINER	1			112	72	208	77	72	15.45	53		
	18	120917	SPRING	1			207	133	358	144	133	28.73	98		
	19	120918	SPRING RECEIVER	1			87	56	137	60	56	12.05	41		
	20	011495	MACHINED DISC BALL	1	5	1/4"	38	11	49	12	11	2.26	8		
	21	121221	SPRING	1	5		23	15	49	16	15	3.09	11		
	22	120919	CASE	1			760	489	1300	527	489	105.62	360		
	23	121079	PLATE	1			94	60	85	65	60	12.98	45		
	24	816018	SCREW	1	10	M4x0.7x8	10	10	10	10	10	0.89	3		
	25	122734	PACKING	1	5	T0.5	34	22	49	24	22	4.64	16		
	26	120925	WASHER	1	5		27	18	30	19	18	3.71	13		
	27	120926	P.R.BELLOWS PACKING	1	5		38	25	65	27	25	5.25	18		
	28	120927	P.R.V.BELLOWS	1			155	101	273	108	101	21.65	74		
	29	124191	VALVE ROD	1			365	235	533	253	235	50.65	173		
	30	124190	SACK	1			683	439	878	473	439	94.81	323		
	31	120931	MACHINED BALL	1		7/8"	963	619	975	667	619	133.73	455		
	32	120932	P.R. SEAT	1			207	133	540	144	133	28.73	98		
	33	020285	O-RING CYLINDER	2	5	P24	38	10	49	10	10	1.02	4		
	34	121015	BODY ASSY	1		Incl.35-46	2850	3855	3705	4151	3855	833.21	2833		
	35	120933	BALL RETAINER	1			289	186	683	200	186	40.15	137		
	36	013975	O-RING (S24)	1	5	S24	35	10	46	10	10	1.05	4		
	37	121692	VALVE SEAT	1			27	18	137	19	18	3.71	13		
	38	121693	MACHINED DISC	1			40	26	156	28	26	5.56	19		
	39	013970	O-RING	1	5	S18	30	10	39	10	10	1.39	5		
	40	120934	BALL DISC	1			303	195	345	210	195	42	143		
	41	120935	BALL ROTATOR	1			180	116	507	125	116	25.02	86		
	42	025300	O-RING	1	5	S6	20	10	26	10	10	0.62	3		
	43	121007	HANDLE	1			220	142	273	153	142	30.58	104		
	44	100166	CAP NUT	1	10	M5	10	10	13	10	10	1.12	4		
	45	012487	WASHER	1	10	M5	10	10	13	10	10	0.09	1		

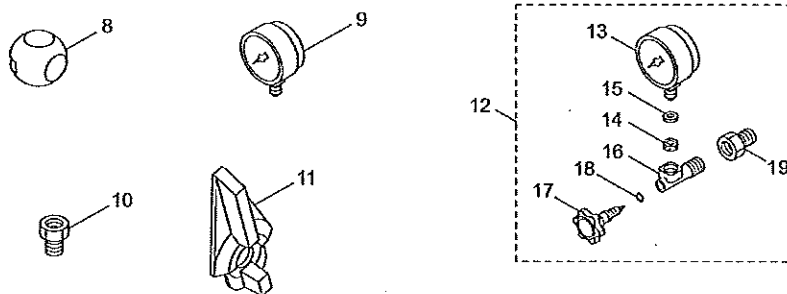
Status	Position	Parts Number	Parts Name	Unit Quantity	Set Unit Quantity	Remarks	Price	Price	Price	Price	Price	Price	Price	Price	Price	Maker code
	46	108355	LABEL	1		Arrow mark	15	15	20	16	15	3.09	11			
	47	125753	HEX BOLT REAR COVER	2		M8x25	43	63	56	68	63	13.59	47			
	48	120937	BOLT	2		M8x70x30	148	95	98	102	95	20.45	70			
	49	121074	LABEL	1			25	16	23	17	16	3.4	12			

3. MS755
ACCESSORIES

ACCESSORIES



OPTIONAL PARTS



- 9 -

1

Status	Position	Parts Number	Parts Name	Unit Quantity	Set Unit Quantity	Remarks	Price	Price	Price	Price	Price	Price	Price	Price	Price	Price	Price	Maker code

Status	Position	Parts Number	Parts Name	Unit Quantity	Set Unit Quantity	Remarks	Price	Price	Price	Price	Price	Price	Price	Price	Maker code
	1	108450	HOSE ASSY	1		Incl.2 25x3.6M	2668	2478	4745	2668	2478	535.5	1821		
	2	103687	SEAL	1	5	23.5x30xt2	23	13	30	14	13	2.63	9		
	3	122017	SUCTION STRAINER ASSY	1			1667	1072	1625	1154	1072	231.62	788		
	4	108452	DISCHARGE HOSE ASSY	1		Incl.5 19x3.6M	1513	1405	3380	1513	1405	303.58	1033		
	5	103686	PACKING	1	5	18.5x24xt2	15	10	38	11	10	2.07	8		
	6	107107	BAND	1			38	25	78	27	25	5.25	18		
	7	130459	INSTRUCTION MANUAL	1		MS315- 755	199	128	286	138	128	27.58	94		
	8	124192		1			0	0	0	0	0	0	0		
	9	120848	PRESSURE GAUGE	1			2889	1858	2795	2000	1858	401.48	1365		
	10	534268	BUSHING	1			489	315	631	339	315	67.95	231		
	11	130524	HANDLE	1			185	119	273	128	119	25.64	88		
	12	121432	PRESSURE GAUGE ASSY	1		Incl.13-19	5224	3359	4713	3617	3359	725.93	2469		
	13	121430	PRESSURE GAUGE	1			2445	1572	2145	1693	1572	339.71	1155		
	14	011241	PACKING	1	5	5x11xt1.5	12	10	17	10	10	1.55	6		
	15	015453	WASHER	3	5	5x11xt0.5	10	10	26	10	10	0.58	2		
	16	148002	VALVE	1			1585	1472	1495	1585	1472	318.09	1082		
	17	027441	NEEDLE	1			260	123	338	133	123	26.56	91		
	18	011341	O-RING	1	5	3x2	20	10	26	10	10	1.24	5		
	19	534268	BUSHING	1			489	315	631	339	315	67.95	231		