

Is Your Product Registered?

Contact your Dealer to verify.

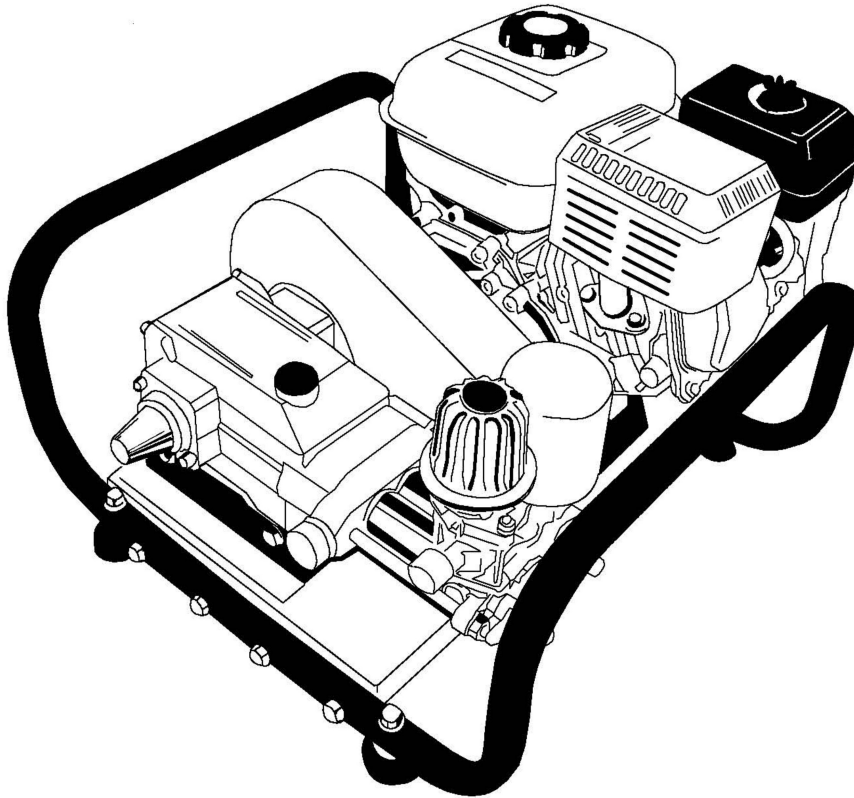
Warranties are based on Registrations and reduced to 1 year without  
Registration.

**MARUYAMA**

ILLUSTRATED PARTS LIST

**MS154EMH-NF**

PUMP/ENGINE PACKAGE

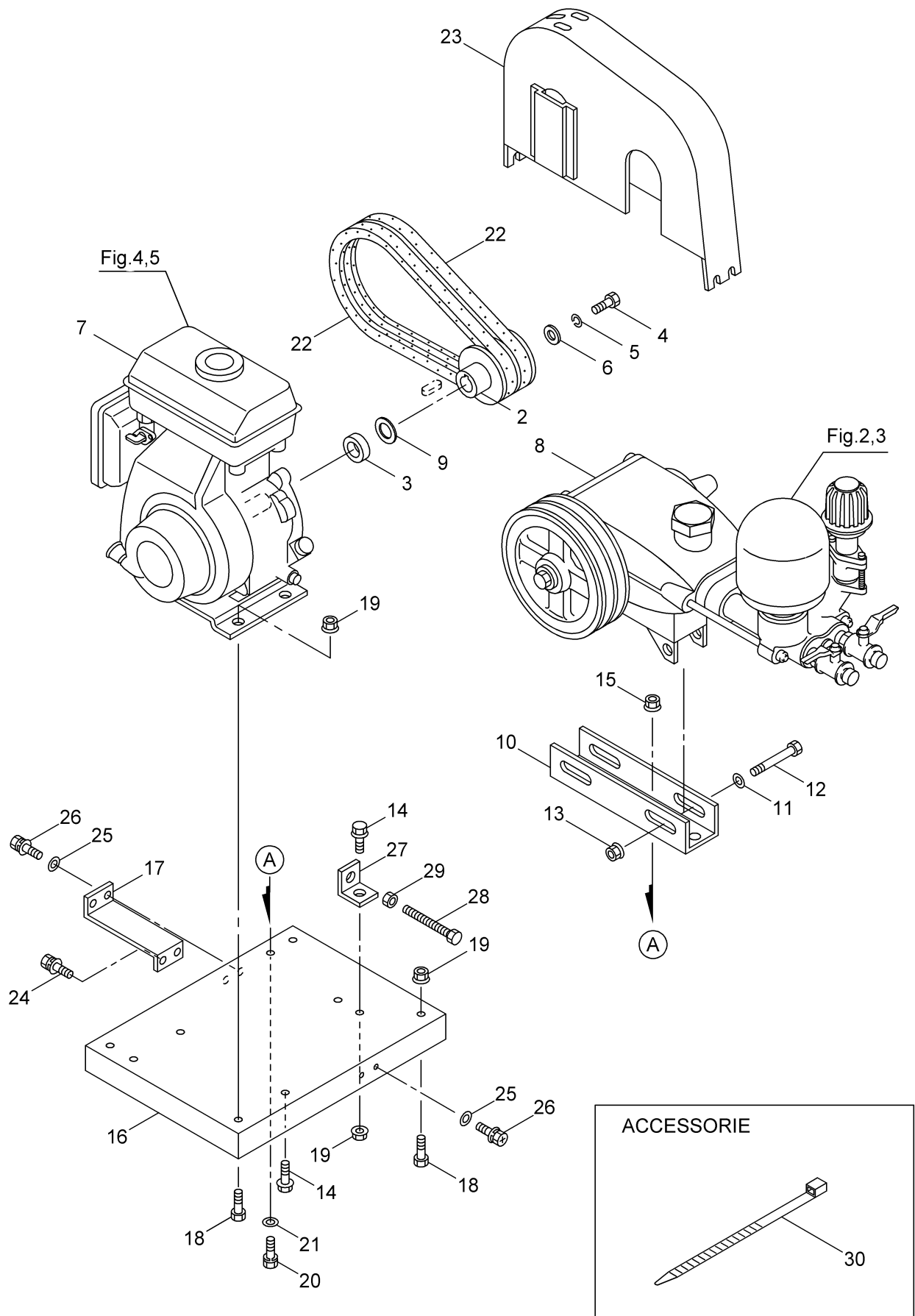


MS154EMH-NF  
PUMP ENGINE PACKAGE  
PART 522650 - 10/2008



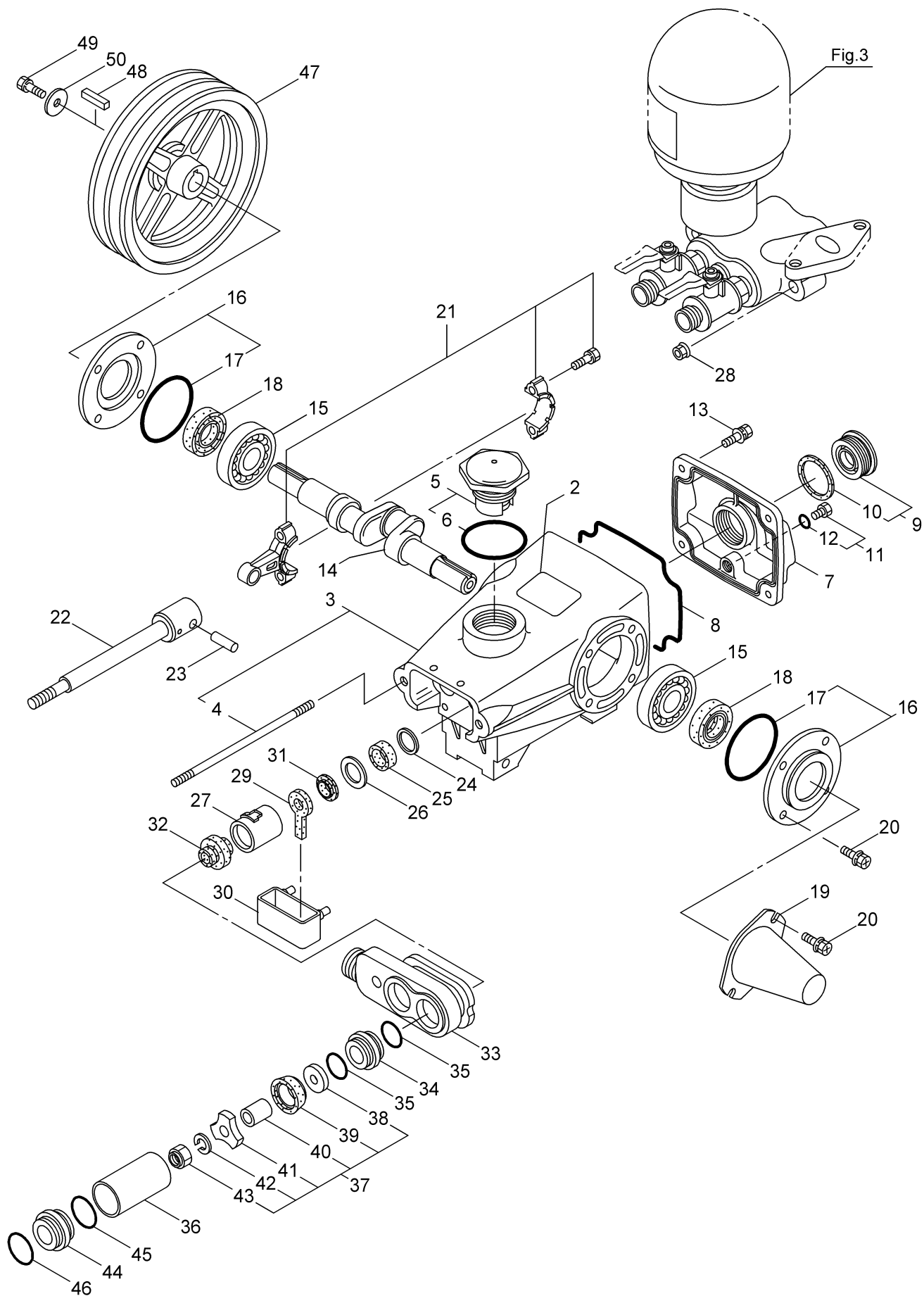
Maruyama. *E x t r a o r d i n a r y .*

# 1. MS154EMH-NF(MUS) MAIN BODY



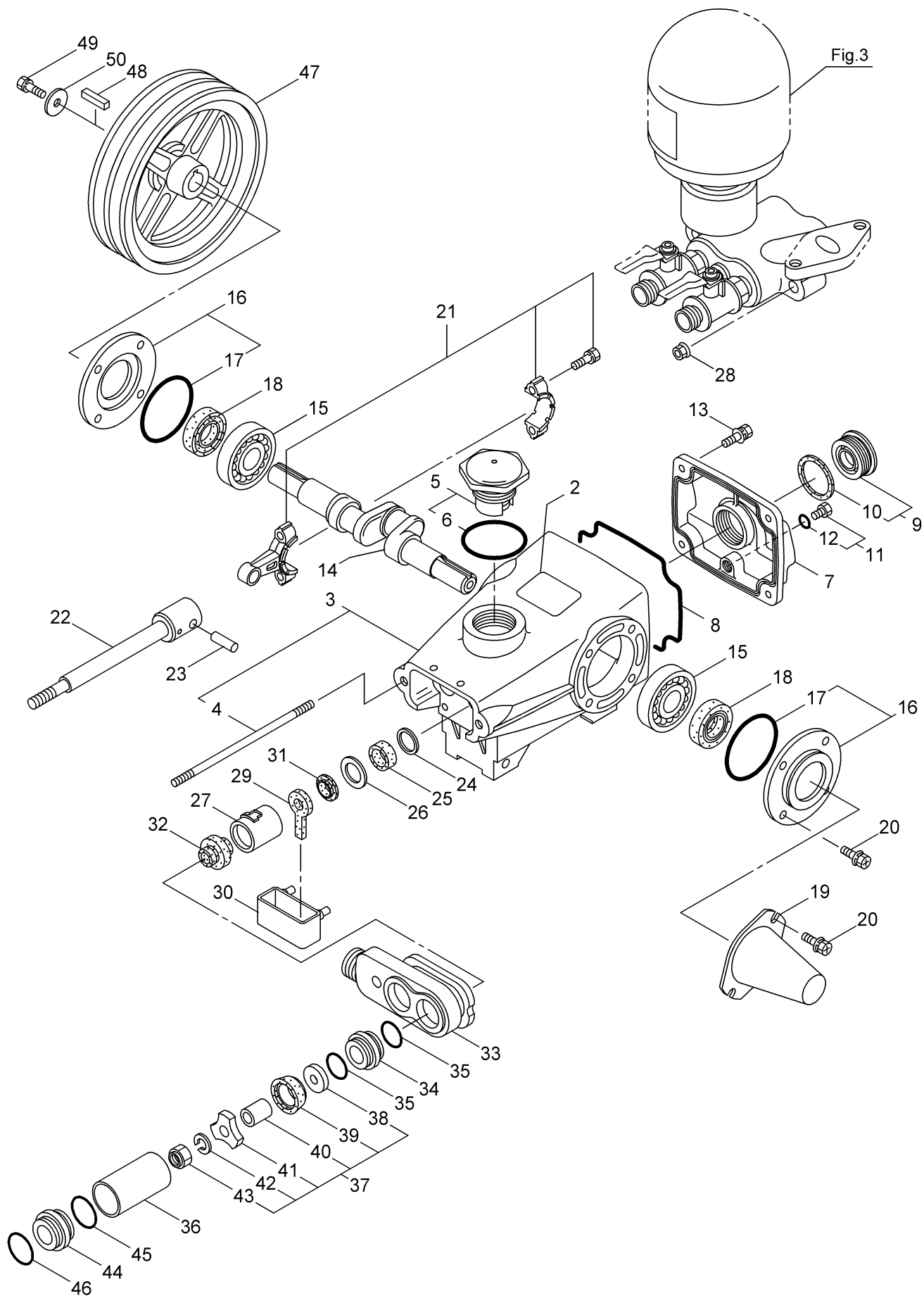
Ref.No.	Parts No.	Parts Name	Q'ty	Remarks
1-2	544341	V-pulley	1	48XA2X15X5
1-3	113554	Collar	1	16.5X21.7X9L
1-4	082110	Bolt	1	M6X30
1-5	126568	Spring Washer	1	M6
1-6	022908	Washer	1	6.2X17XT3.2
1-7	546906	Engine	1	GX100SA2
1-8	816662	Power Sprayer	1	
1-9	022901	Washer	1	M16
1-10	540585	Rail	1	
1-11	014065	Washer	2	M8
1-12	080190	Bolt	2	M8X70X22
1-13	101804	Nut	2	M8
1-14	092528	Bolt	2	M8X20(M)
1-15	101804	Nut	2	M8
1-16	830289	Base	1	
1-17	542133	Stay	1	
1-18	080129	Bolt	4	M8X25
1-19	101804	Nut	7	M8
1-20	092521	Bolt	4	M8X20
1-21	014065	Washer	4	M8
1-22	023051	V-Belt	2	A23
1-23	542333	Belt Cover	1	
1-24	817004	Bolt	2	M6X12(SM)
1-25	013754	Washer	4	M6
1-26	092519	Bolt	4	M6X16(SMK)
1-27	054928	Belt Tension Plate	1	22X6
1-28	549754	Bolt	1	M8X60
1-29	126521	Nut	1	M8
1-30	107107	Band	1	

## 2. MS154EMH-NF(MUS) POWER SPRAYER(CRANKCASE, SUCTION VALVE)



Ref.No.	Parts No.	Parts Name	Q'ty	Remarks
2-1	816662	Power Sprayer	1	MS154-A(EMM)
2-2	128682	Label	1	MS154-A
2-3	120407	Crankcase	1	Incl.4
2-4	014051	Stud	2	M8X130X16X18
2-5	091264	Oil Filler Cap	1	Incl.6
2-6	014177	O-Ring	1	P35
2-7	120410	Rear Cover,Crankcase	1	
2-8	106963	O-Ring	1	
2-9	092241	Oil Gauge Ass'y	1	Incl.10
2-10	044428	Packing	1	25X34XT2
2-11	091376	Plug Ass'y	1	Incl.12 G1/4
2-12	023170	O-Ring	1	P12.5
2-13	125824	Bolt	4	M6X16(SMK)
2-14	103383	Crankshaft	1	
2-15	014487	Bearing	2	#6304
2-16	595607	Oil Seal Case Ass'y	2	Incl.17
2-17	026536	O-Ring	2	51.8X1.5
2-18	024159	Oil Seal	2	TC20X40X10
2-19	025130	Shaft Protector	1	
2-20	125824	Bolt	8	M6X16(SMK)
2-21	122041	Connecting Rod Ass'y	2	
2-22	120417	Piston Rod	2	
2-23	016948	Piston Pin	2	9X22
2-24	126259	Washer	2	17X24XT1.2
2-25	025461	Oil Seal	2	S10.5247
2-26	126189	Washer	2	20X28XT1.2
2-27	028033	Seal Retainer	2	
2-28	126201	Nut	2	M8
2-29	027711	Felt Packing	2	10X24X5
2-30	028034	Oil Pan	1	
2-31	026853	Packing	2	
2-32	100015	Seal	2	
2-33	028035	Inlet Manifold	1	MS153
2-34	016957	Adapter	2	
2-35	015862	O-Ring	4	P21
2-36	022929	Cylinder Pipe	2	25X28.5X55L
2-37	629356	Inlet Valve Ass'y	2	Incl.38-43
2-38	124277	Inlet Valve	2	6.1X20XT2.8
2-39	116121	Piston Packing Set	2	Incl.43
2-40	027499	Spacer	2	6X8.5X11
2-41	027500	Piston Retainer	2	
2-42	015849	Spring Washer	2	M6
2-43	046365	Nylon Nut	2	M6
2-44	022931	Adapter	2	
2-45	015862	O-Ring	2	P21

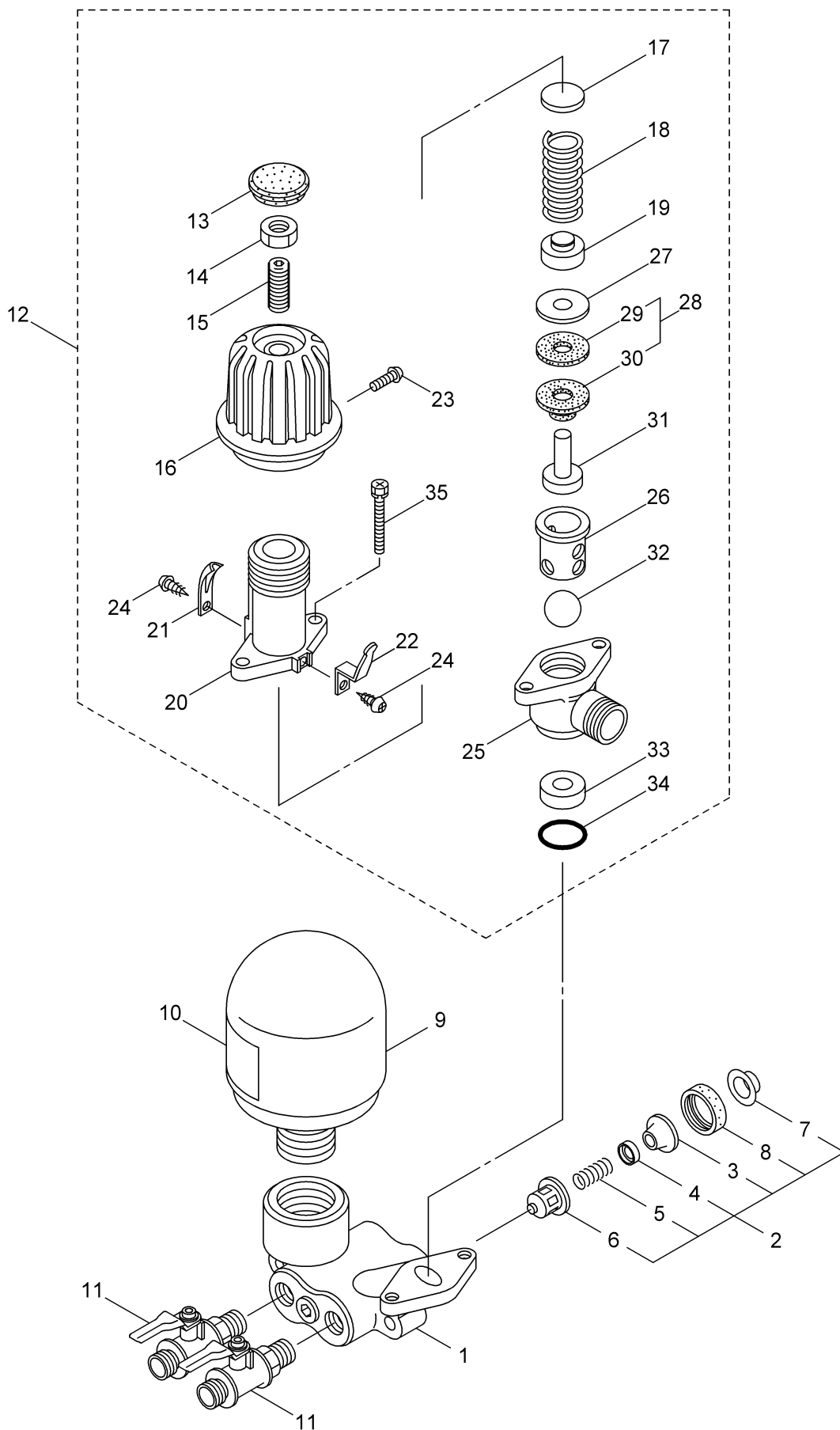
## 2. MS154EMH-NF(MUS) POWER SPRAYER(CRANKCASE, SUCTION VALVE)





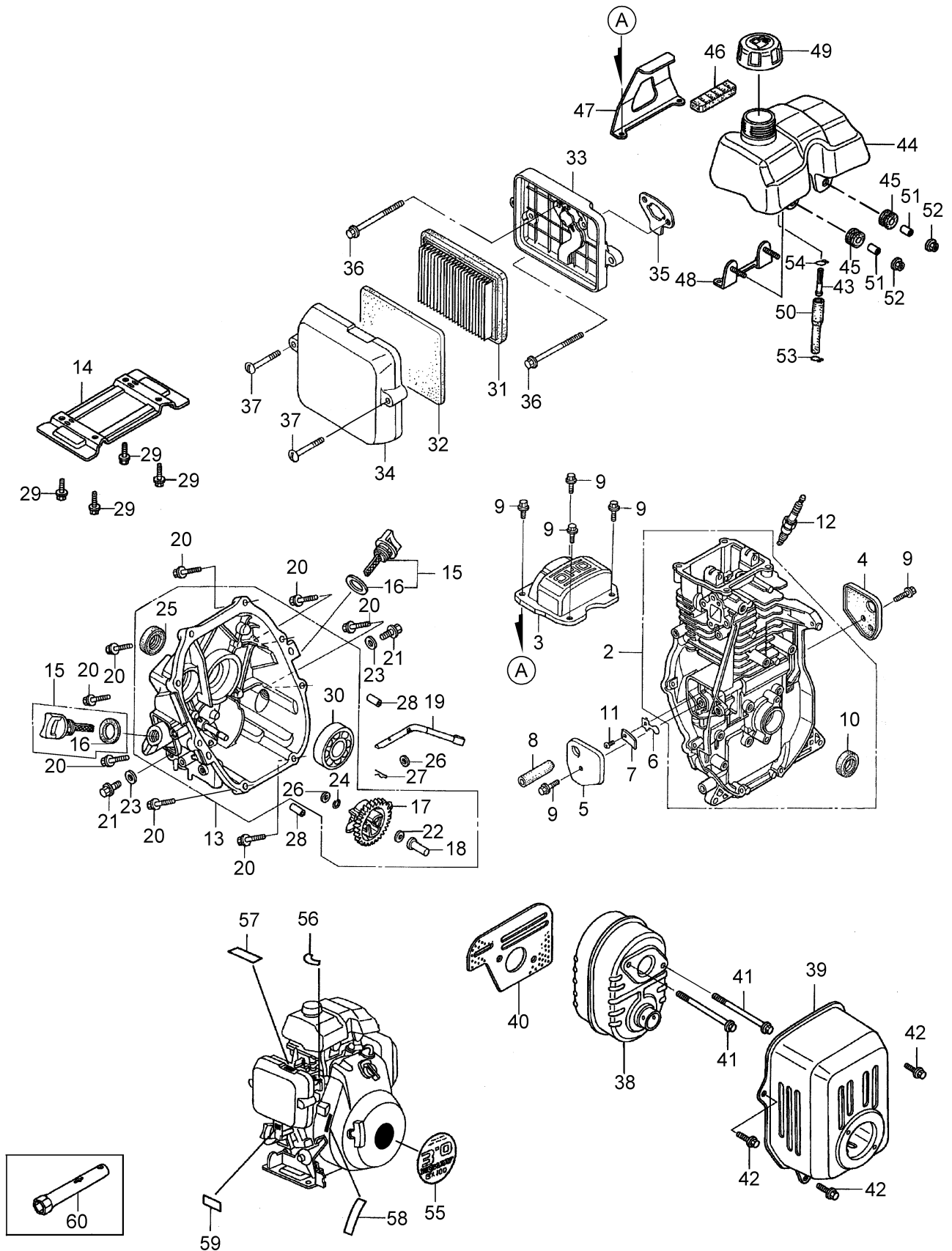


### 3. MS154EMH-NF(MUS) POWER SPRAYER(PRESSURE REGULATOR VALVE)



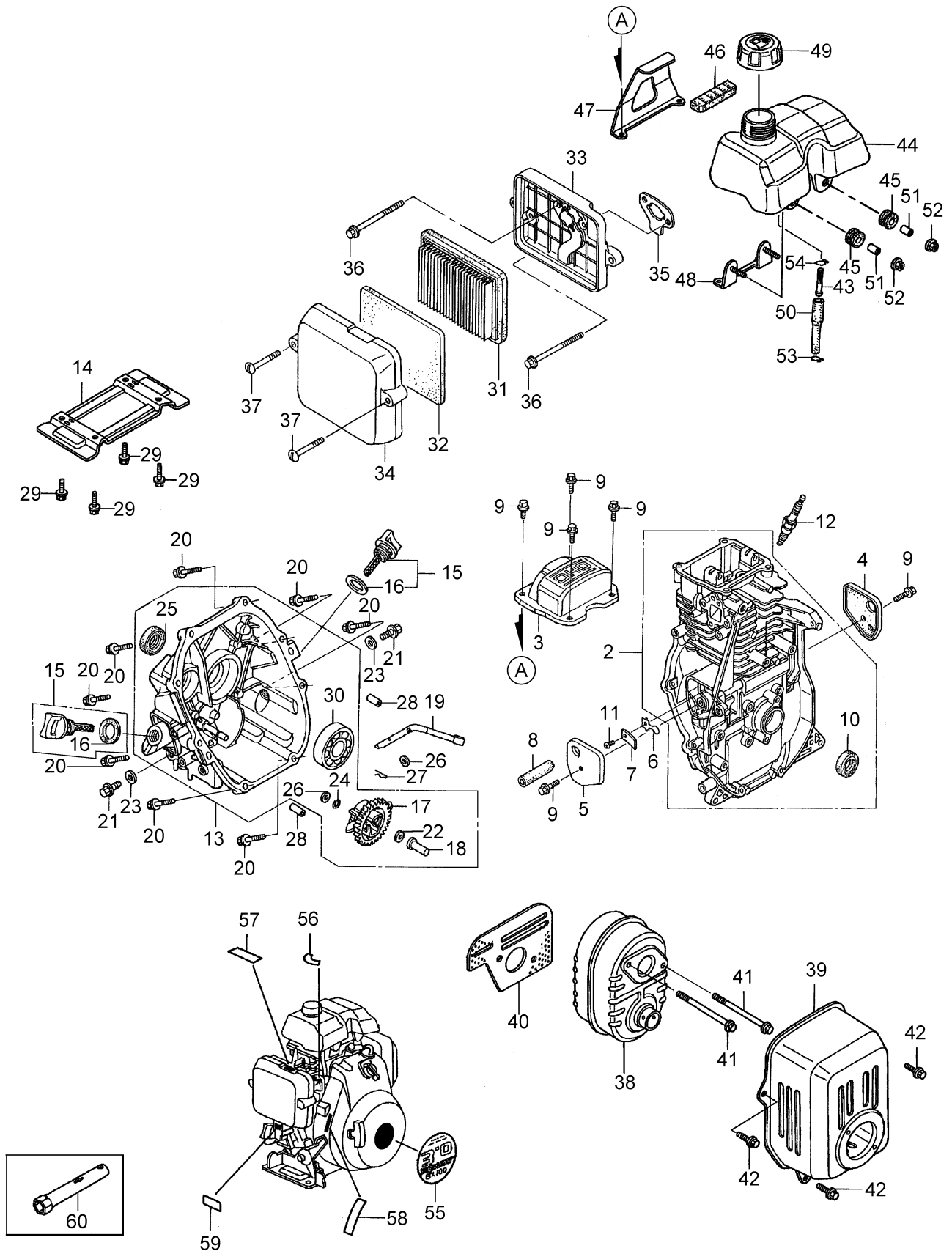
Ref.No.	Parts No.	Parts Name	Q'ty	Remarks
3-1	120421	Discharge Manifold	1	Incl.3-8
3-2	105510	Discharge Valve Ass'y	2	
3-3	105511	Discharge Valve Seat	2	
3-4	022842	Discharge Valve	2	
3-5	022031	Spring	2	
3-6	105512	Retainer	2	
3-7	105513	Packing Ring	2	
3-8	105514	Valve Case	2	
3-9	122120	Air Chamber	1	
3-10	122122	Label	1	
3-11	117609	Cock Ass'y	2	G1/4XR1/4
3-12	118236	Pressure Regulator Valve Ass'y	1	Incl.13-34
3-13	105518	Cap	1	
3-14	084015	Nut	1	M10
3-15	088975	Screw	1	M10X48
3-16	118662	Grip	1	17X2.3
3-17	126196	Retainer	1	
3-18	105520	Spring	1	
3-19	105521	Retainer	1	
3-20	117448	Case	1	
3-21	117440	Plate	1	M4X13
3-22	105524	Indicator	1	
3-23	089899	Screw	2	
3-24	082744	Tapping Screw	2	
3-25	118237	Body	1	
3-26	012256	Retainer	1	6.2X22XT0.6
3-27	012255	Washer	1	
3-28	595606	Bellows Packing Set	1	
3-29	016972	Bellows Packing	1	
3-30	011451	Bellows	1	
3-31	016975	Valve Rod	1	12.7 (1/2)
3-32	107238	Valve Ball	1	
3-33	117443	Valve Seat	1	
3-34	014179	O-Ring	1	
3-35	126197	Bolt	2	

# 4. MS154EMH-NF(MUS) ENGINE CRANK CASE, CYLINDER



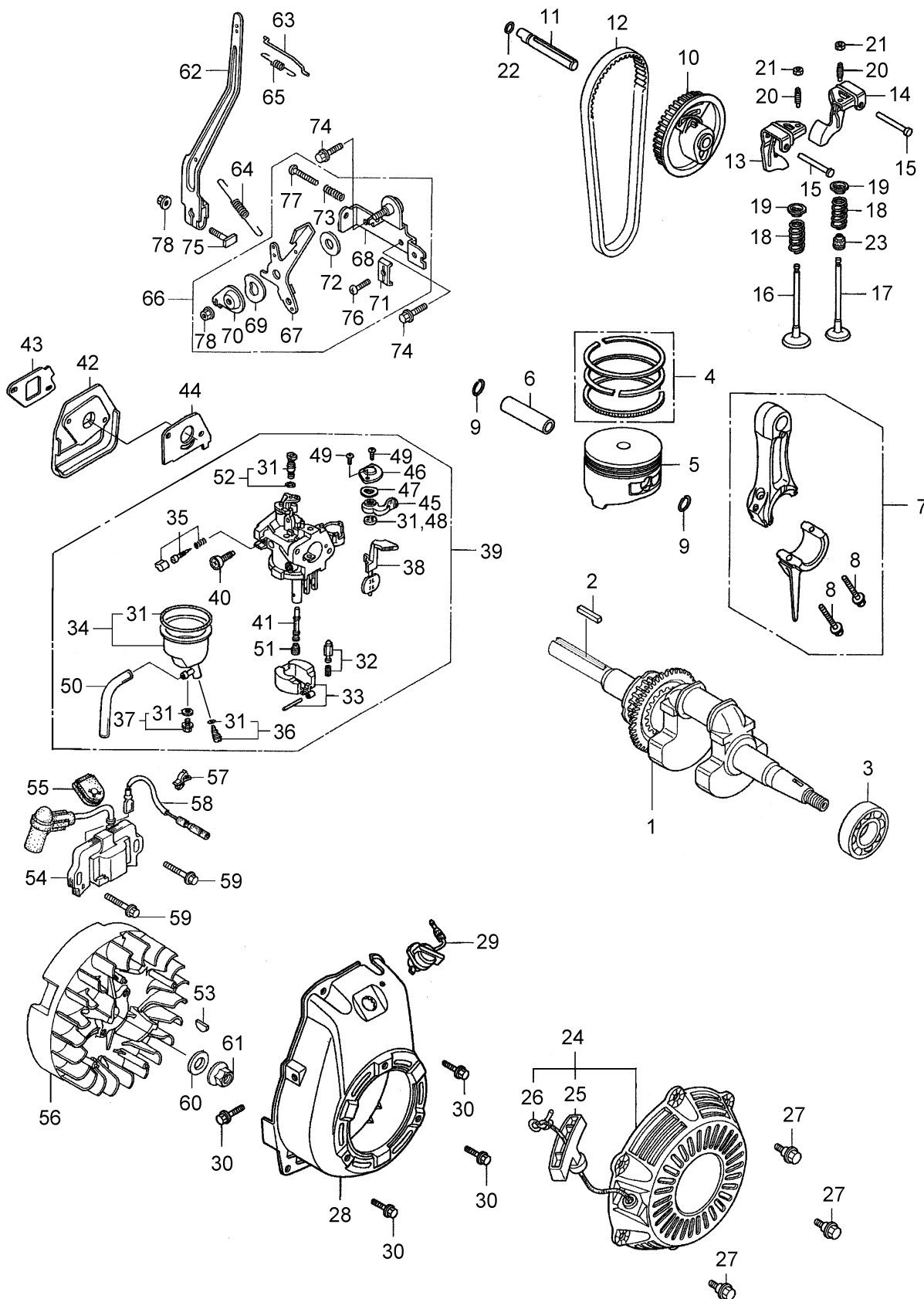
Ref.No.	Parts No.	Parts Name	Q'ty	Remarks
4-2	638321	Cylinder Barrel Ass'y	1	Incl.10
4-3	641817	Head Cover	1	
4-4	641818	Breather Cover (A)	1	
4-5	641819	Breather Cover (B)	1	
4-6	638326	Oil Outlet Valve	1	
4-7	638327	Stopper Plate	1	
4-8	641820	Breather Tube	1	
4-9	638329	Flange Bolt	6	
4-10	638322	Oil Seal	1	
4-11	626683	Screw,Pan	1	
4-12	641821	Spark Plug	1	CR5HSB
4-13	641822	Cover Ass'y,Crankcase	1	Incl.16
4-14	641823	Engine Bed	1	
4-15	638336	Oil Filler Cap Ass'y	2	
4-16	998201	Gasket,Oil Filler Cap	2	
4-17	638331	Governor Ass'y	1	
4-18	626321	Governor Slider	1	6X25
4-19	641824	Governor Arm Shaft	1	
4-20	998214	Flange Bolt	8	
4-21	998200	Drain Plug Bolt	2	
4-22	626322	Thrust Washer	1	
4-23	998199	Drain Plug Washer	2	
4-24	625895	Governor Holder Clip	1	
4-25	638322	Oil Seal	1	
4-26	990493	Plain Washer	2	
4-27	990496	Lock Pin	1	
4-28	638338	Dowel Pin	2	
4-29	641825	Flange Bolt	4	
4-30	638334	Bearing	1	
4-31	638399	Air Cleaner Element	1	
4-32	641861	Outer Filter	1	
4-33	641862	Air Cleaner Case Comp.	1	
4-34	641863	Air Cleaner Cover	1	
4-35	638403	Gasket	1	
4-36	641864	Flange Bolt	2	
4-37	641865	Air Cleaner Cover Bolt	2	
4-38	641866	Muffler Comp.	1	
4-39	638407	Protector	1	
4-40	641868	Muffler Gasket	1	
4-41	641870	Flange Bolt	2	
4-42	638329	Flange Bolt	3	
4-43	638410	Fuel Strainer	1	
4-44	638411	Fuel Tank	1	
4-45	638412	Mounting Rubber (A)	2	

# 4. MS154EMH-NF(MUS) ENGINE CRANK CASE, CYLINDER



Ref.No.	Parts No.	Parts Name	Q'ty	Remarks
4-46	638413	Mounting Rubber (B)	1	
4-47	641871	Fuel Tank Stay (A)	1	
4-48	645469	Fuel Tank Stay (B)	1	
4-49	638416	Fuel Tank Cap Ass'y	1	
4-50	641873	Fuel Tube	1	
4-51	638418	Collar	2	
4-52	641874	Flange Nut	2	
4-53	990499	Tube Clip	1	
4-54	638420	Clip	1	
4-55	646598	Label	1	GX100
4-56	641888	Label	1	
4-57	641889	Label	1	
4-58	641890	Label	1	
4-59	646599	Label	1	SA2
4-60	646600	Spark Plug Wrench	1	

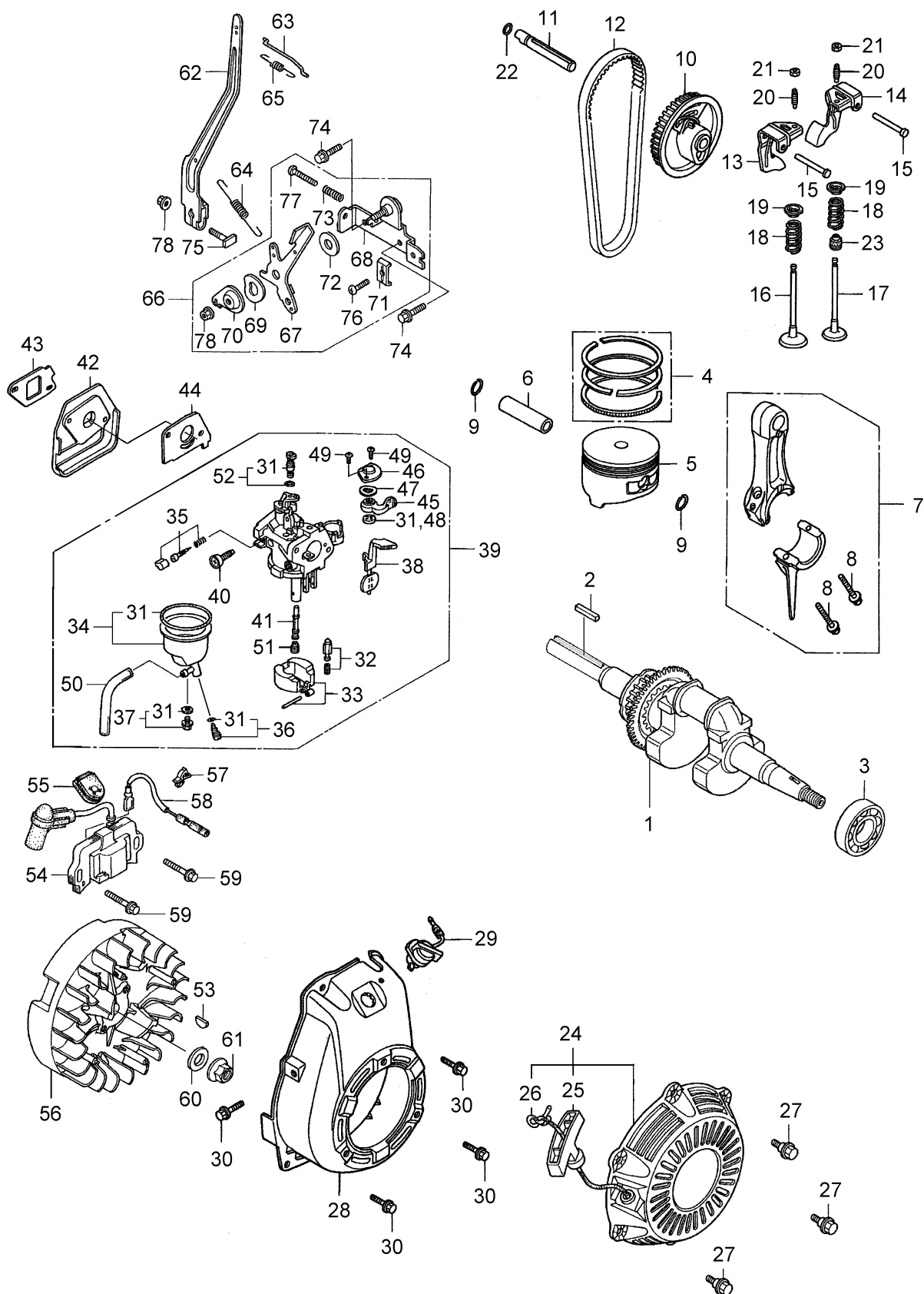
# 5. MS154EMH-NF(MUS) ENGINE CRANKSHAFT, PISTON



Ref.No.	Parts No.	Parts Name	Q'ty	Remarks
5-1	641826	Crankshaft Comp.	1	Incl.3
5-2	638341	Key	1	
5-3	638334	Bearing	1	
5-4	641827	Piston Ring Set	1	
5-5	641828	Piston	1	
5-6	641829	Piston Pin	1	Incl.8
5-7	641830	Connecting Rod Ass'y	1	
5-8	638348	Rod Bolt	2	
5-9	638349	Piston Pin Clip	2	
5-10	646594	Camshaft Pulley Comp.	1	
5-11	641832	Cam Pulley Shaft	1	
5-12	641833	Timing Belt	1	
5-13	641834	Intake Valve Rocker Arm	1	
5-14	641835	Exhaust Valve Rocker Arm	1	
5-15	638357	Rocker Arm Shaft	2	
5-16	641839	Inlet Valve	1	
5-17	641840	Exhaust Valve	1	
5-18	641841	Valve Spring	2	
5-19	636705	Retainer,Valve Spring	2	
5-20	638361	Adjusting Screw	2	
5-21	638362	Adjusting Nut	2	Incl.25,26
5-22	641842	O-Ring 6.8X19	1	
5-23	638364	Valve Stem Seal	1	
5-24	646595	Recoil Starter Ass'y	1	
5-25	641845	Starter Grip	1	
5-26	641846	Starter Rope	1	
5-27	641847	Flange Bolt	3	
5-28	646596	Fan Cover Comp.	1	
5-29	632721	Engine Stop Switch Ass'y	1	
5-30	638329	Flange Bolt	4	
5-31	638366	Gasket Set	1	Incl.31
5-32	998250	Float Valve Set	1	
5-33	998253	Float Set	1	
5-34	638369	Float Chamber Set	1	
5-35	627198	Screw Set	1	
5-36	638370	Drain Screw Set	1	Incl.31
5-37	998256	Screw Set	1	Incl.31
5-38	641852	Choke Set	1	
5-39	641853	Carburetor Ass'y	1	
5-40	998258	Throttle Stop Screw	1	
5-41	641854	Main Nozzle	1	
5-42	641855	Carburetor Insulator	1	
5-43	641856	Insulator Gasket	1	
5-44	622238	Gasket,Carburetor	1	
5-45	641857	Cock Lever	1	



# 5. MS154EMH-NF(MUS) ENGINE CRANKSHAFT, PISTON



Ref.No.	Parts No.	Parts Name	Q'ty	Remarks
5-46	998266	Lever Setting Plate	1	
5-47	998265	Cock Lever Spring	1	
5-48	638378	Gasket	1	
5-49	641858	Pan Screw	2	
5-50	638380	Vinyl Tube	1	
5-51	641860	Main Jet	1	#60
5-52	638383	Pilot Jet Set	1	Incl.31
5-53	638426	Special Key	1	
5-54	641875	Ignition Coil Ass'y	1	
5-55	638428	Grommet	1	
5-56	641876	Flywheel Comp.	1	
5-57	990458	Clip	1	
5-58	641878	Stop Switch Cord	1	
5-59	626393	Flange Bolt	2	
5-60	638432	Washer	1	
5-61	998219	Flange Nut	1	12
5-62	646597	Governor Arm	1	
5-63	641880	Governor Rod	1	
5-64	641881	Governor Spring	1	
5-65	641882	Throttle Return Spring	1	
5-66	641883	Control Ass'y	1	
5-67	998279	Control Lever	1	
5-68	998277	Control Base Comp.	1	
5-69	998280	Lever Spring	1	
5-70	998281	Control Lever Washer	1	
5-71	990418	Cable Holder	1	
5-72	998278	Control Lever Spacer	1	
5-73	990419	Control Adjusting Spring	1	
5-74	638329	Flange Bolt	2	
5-75	626007	Governor Arm Bolt	1	
5-76	638397	Pan Screw	1	
5-77	990484	Pan Screw	1	5X25
5-78	990487	Flange Nut	4	



**Maruyama U.S., Inc.**  
3570 Shelby Lane  
Denton, TX 76207  
940-383-7400 voice  
940-383-7466 fax

[www.maruyama-us.com](http://www.maruyama-us.com)