

Is Your Product Registered?

Contact your Dealer to verify.

Warranties are based on Registrations and reduced to 1 year without  
Registration.



**MARUYAMA U.S., INC.**

301 - 30<sup>th</sup> Street NE, Suite 118, Auburn, WA 98002  
PO Box 309, Auburn, WA 98071-0309  
Phone (253) 735-7368 Fax (253) 735-1416

# **ILLUSTRATED PARTS LIST**

## **MODEL MS153EMH**

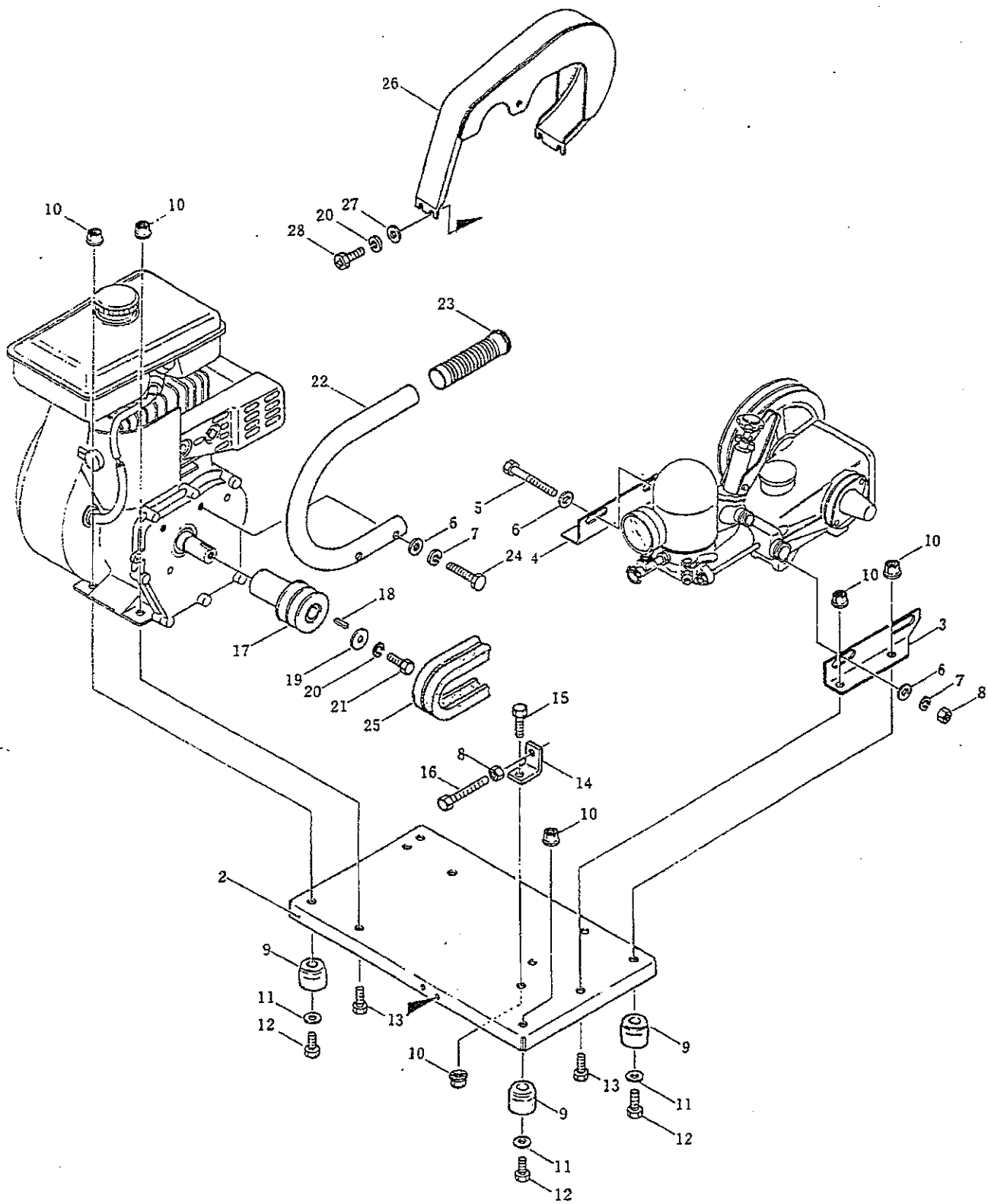
### **FRAME MOUNTED SPRAYER**

**Effective 6-20-93**



*Maruyama — Manufacturing quality agricultural sprayers and equipment since 1895.*

# 1 • ENGINE SET



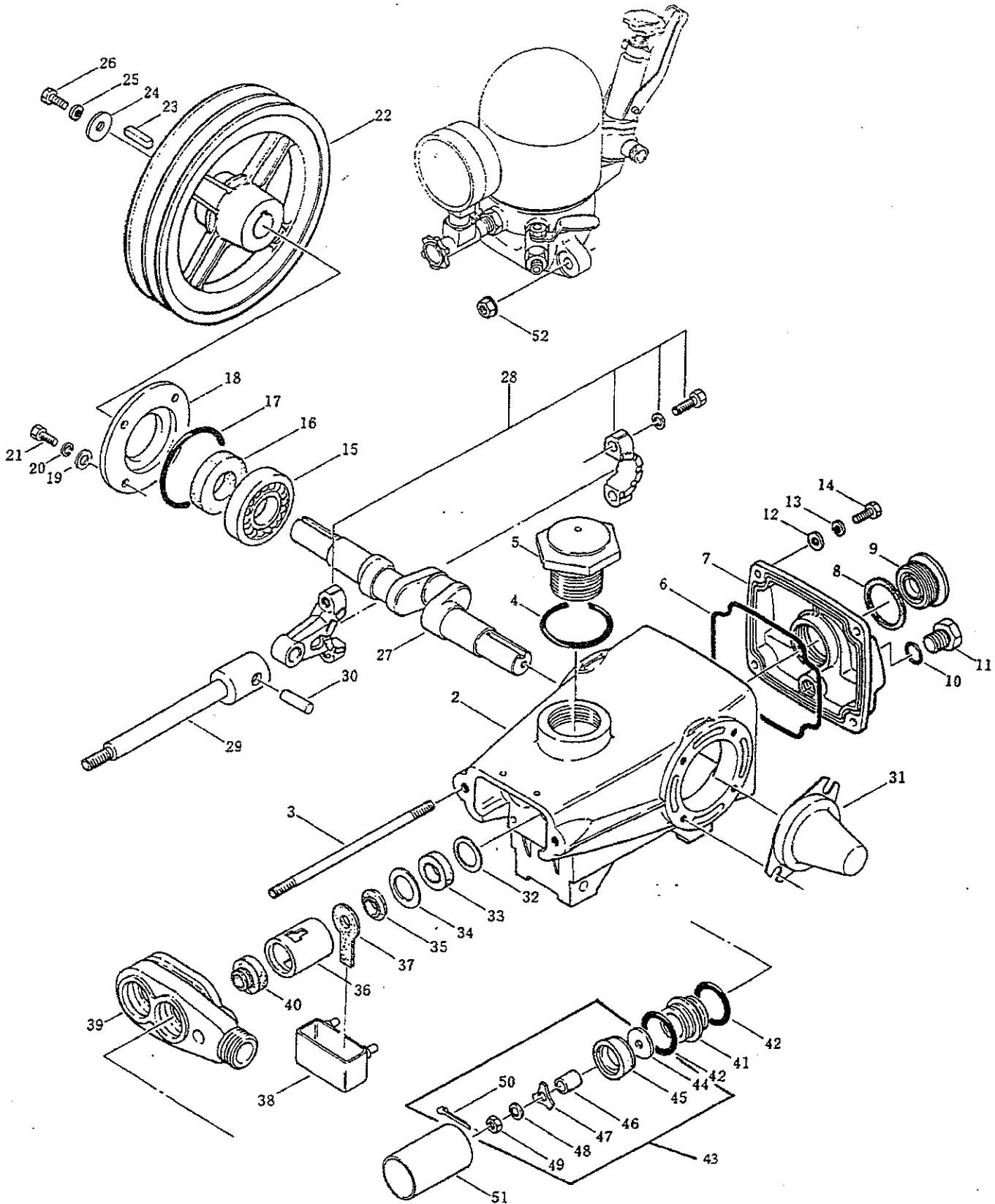
MS153EMH PARTS LIST

1987. 2.27.

| Item | Part No. | Description        | Qty | Remarks           |
|------|----------|--------------------|-----|-------------------|
| 1-1  | 355658   | MS153EMH           | 1   | (355657)          |
| 1-2  | 104829   | Set base           | 1   |                   |
| 1-3  | 101889   | Rail (L)           | 1   |                   |
| 1-4  | 101890   | Rail (R)           | 1   |                   |
| 1-5  | 080190   | Bolt               | 2   | M8×70×22          |
| 1-6  | 014085   | Washer             | 6   | M8                |
| 1-7  | 015845   | Spring washer      | 4   | M8                |
| 1-8  | 081039   | Nut                | 3   | M8                |
| 1-9  | 107219   | Buffer             | 4   |                   |
| 1-10 | 101804   | Nut                | 11  | M8                |
| 1-11 | 021014   | Washer             | 4   | ∅8.5 × ∅20 × t1.6 |
| 1-12 | 080129   | Bolt               | 4   | M8×25             |
| 1-13 | 080126   | Bolt               | 6   | M8×20             |
| 1-14 | 054928   | Belt tension plate | 1   |                   |
| 1-15 | 080126   | Bolt               | 1   | M8×20             |
| 1-16 | 080178   | Bolt               | 1   | M8×60             |
| 1-17 | 104828   | V-pulley           | 1   | A ×2-51           |
| 1-18 | 056303   | Key                | 1   | 5 ×5 ×35L, カタマル   |
| 1-19 | 022908   | Washer             | 1   | ∅6.2 × ∅17 × t3.2 |
| 1-20 | 012502   | Spring washer      | 5   | M6                |
| 1-21 | 082101   | Bolt               | 1   | M6×20             |
| 1-22 | 102056   | Handle             | 1   |                   |
| 1-23 | 062856   | Knob               | 1   |                   |
| 1-24 | 089634   | Bolt               | 2   | M8×35             |
| 1-25 | 103937   | V-belt             | 2   | LA23, オレンジ        |
| 1-26 | 104831   | Belt cover         | 1   |                   |
| 1-27 | 013754   | Washer             | 4   | M6                |
| 1-28 | 089551   | Bolt               | 4   | M6×16             |

( EMH153-01 )

## 2 • POWER SPRAYER (1)



MS153EMH PARTS LIST

1987. 2.27.

| Item | Part No. | Description           | Qty | Remarks           |
|------|----------|-----------------------|-----|-------------------|
| 2-1  | 104822   | MS153                 | 1   |                   |
| 2-2  | 106960   | Crankcase             | 1   | Incl.3            |
| 2-3  | 107665   | Stud bolt             | 2   | M8×125 ×16×23     |
| 2-4  | 014177   | O-ring                | 1   | P35               |
| 2-5  | 043211   | Oil inlet cap         | 1   |                   |
| 2-6  | 106963   | O-ring                | 1   |                   |
| 2-7  | 106965   | Crankcase lid         | 1   |                   |
| 2-8  | 044428   | Packing               | 1   | ∅25×∅34×t2.5      |
| 2-9  | 043987   | Oil gauge             | 1   |                   |
| 2-10 | 029170   | O-ring                | 1   | P12.5             |
| 2-11 | 025625   | Blind plug            | 1   | PF1/4             |
| 2-12 | 012488   | Washer                | 4   | M6                |
| 2-13 | 012502   | Spring washer         | 4   | M6                |
| 2-14 | 092520   | Bolt                  | 4   | M6×20, Incl.12,13 |
| 2-15 | 014487   | Bearing               | 2   | #6304             |
| 2-16 | 024159   | Oil seal              | 2   | D20 40 10         |
| 2-17 | 026536   | O-ring                | 2   | ∅51.8×∅1.5        |
| 2-18 | 026625   | Oil seal case         | 2   |                   |
| 2-19 | 012488   | Washer                | 8   | M6                |
| 2-20 | 012502   | Spring washer         | 8   | M6                |
| 2-21 | 092519   | Bolt                  | 8   | M6×16, Incl.19,20 |
| 2-22 | 100837   | V-pulley              | 1   | A ×2-152          |
| 2-23 | 014543   | Key                   | 1   | 5 ×5 ×25L, 两角     |
| 2-24 | 100836   | Washer                | 1   | ∅8.5 ×∅30×t3.2    |
| 2-25 | 015845   | Spring washer         | 1   | M8                |
| 2-26 | 080126   | Bolt                  | 1   | M8×20             |
| 2-27 | 103383   | Crankshaft            | 1   |                   |
| 2-28 | 017556   | Connecting rod, ass'y | 2   |                   |
| 2-29 | 102280   | Piston                | 2   |                   |
| 2-30 | 016948   | Piston pin            | 2   |                   |

( EMH153-01 )

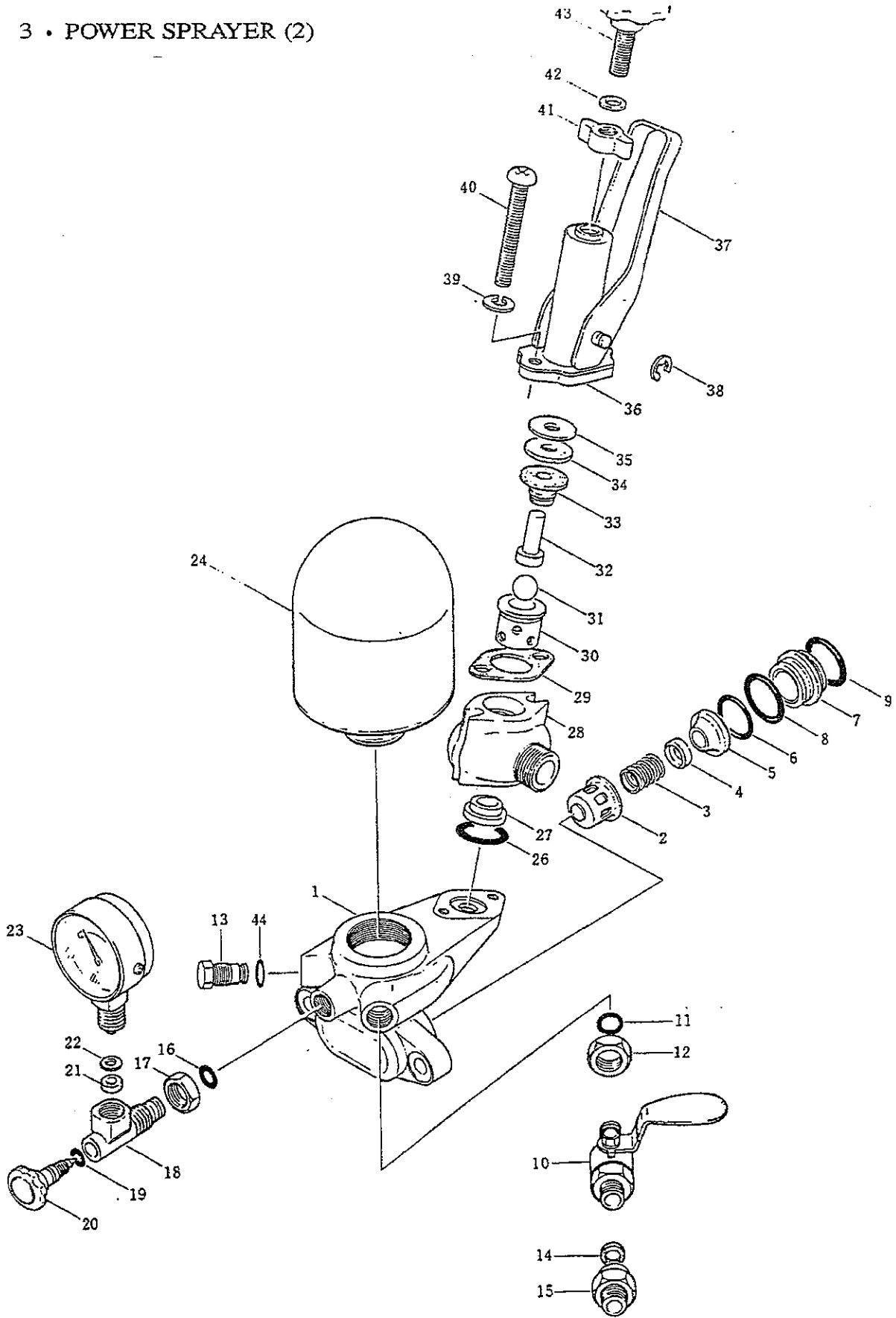
MS 153EMH      PARTS LIST

1987. 2.27.

| Item | Part No. | Description           | Qty | Remarks           |
|------|----------|-----------------------|-----|-------------------|
| 2-31 | 025130   | Protector             | 1   |                   |
| 2-32 | 020017   | Washer                | 2   | ∅17×∅24×t1.2      |
| 2-33 | 025461   | Oil seal              | 2   | S10.5 24 7        |
| 2-34 | 026854   | Washer                | 2   | ∅20×∅28×t1.2      |
| 2-35 | 026853   | Packing               | 2   |                   |
| 2-36 | 028033   | Seal packing retainer | 2   |                   |
| 2-37 | 027711   | Felt packing          | 2   |                   |
| 2-38 | 028034   | Oil pan               | 1   |                   |
| 2-39 | 028035   | Cylinder manifold     | 1   |                   |
| 2-40 | 100015   | Seal packing          | 2   |                   |
| 2-41 | 016957   | Pipe receiver         | 2   |                   |
| 2-42 | 015862   | O-ring                | 4   | P21               |
| 2-43 | 092252   | Piston Repair Kit     | 2   | Incl.44 ~50       |
| 2-44 | 014122   | Suction valve seat    | 2   | ∅6.1 × ∅20 × t3.8 |
| 2-45 | 028995   | Piston packing        | 2   | Incl.50, ∅25.5    |
| 2-46 | 027499   | Suction valve collar  | 2   | ∅6 × ∅8.5 × 11L   |
| 2-47 | 027500   | Suction valve stopper | 2   |                   |
| 2-48 | 015849   | Spring washer         | 2   | M6                |
| 2-49 | 081240   | Nut                   | 2   | M6                |
| 2-50 | 014158   | Cotter pin            | 2   | ∅1.6 × 8L         |
| 2-51 | 022929   | Cylinder pipe         | 2   | ∅25 × ∅28.5 × 55L |
| 2-52 | 101804   | Nut                   | 2   | M8                |

( EMH153-01 )

3 • POWER SPRAYER (2)





MS153EMH PARTS LIST

1987. 2.27.

| Item | Part No. | Description                     | Qty | Remarks                   |
|------|----------|---------------------------------|-----|---------------------------|
| 3-1  | 101910   | Discharge manifold              | 1   |                           |
| 3-2  | 022841   | Discharge valve sack            | 2   |                           |
| 3-3  | 022031   | Discharge valve spring          | 2   |                           |
| 3-4  | 022842   | Discharge valve                 | 2   |                           |
| 3-5  | 105820   | Discharge valve seat            | 2   |                           |
| 3-6  | 103575   | O-ring                          | 2   |                           |
| 3-7  | 022931   | Pipe receiver                   | 2   |                           |
| 3-8  | 023172   | O-ring                          | 2   | P22                       |
| 3-9  | 015862   | O-ring                          | 2   | P21                       |
| 3-10 | 100154   | Cock, ass'y                     | 1   | PF1/4, Incl.11,12         |
| 3-11 | 022056   | O-ring                          | 1   |                           |
| 3-12 | 101394   | Nut                             | 1   | PF1/4                     |
| 3-13 | 060563   | Blind plug                      | 1   | PF1/4                     |
| 3-14 | 013995   | Packing                         | 1   | ∅8 × ∅13.5 × t1.5         |
| 3-15 | 023505   | Extension                       | 1   | PF1/4 × SW13.8            |
| 3-16 | 022056   | O-ring                          | 1   | P7                        |
| 3-17 | 101394   | Nut                             | 1   | PF1/4                     |
| 3-18 | 027478   | Pressure gauge protector        | 1   |                           |
| 3-19 | 011341   | O-ring                          | 1   | ∅3 × ∅7 × ∅2              |
| 3-20 | 027441   | Needle valve                    | 1   |                           |
| 3-21 | 011241   | Packing                         | 1   | ∅5 × ∅11 × t1.5           |
| 3-22 | 015453   | Washer                          | 2-3 | ∅5 × ∅11 × t0.5           |
| 3-23 | 101911   | Pressure gauge                  | 1   | MAX 50kgf/cm <sup>2</sup> |
| 3-24 | 107752   | Air chamber                     | 1   |                           |
| 3-25 | 022933   | Pressure regulator valve, ass'y | 1   | Incl.26 ~43               |
| 3-26 | 014179   | O-ring                          | 1   | P20                       |
| 3-27 | 020971   | Pressure regulator valve seat   | 1   |                           |
| 3-28 | 023485   | Pressure regulator valve body   | 1   |                           |
| 3-29 | 017019   | Packing                         | 1   |                           |
| 3-30 | 012256   | Pressure regulator valve sack   | 1   |                           |

( EMH153-01 )

MS 153EMH      PARTS LIST

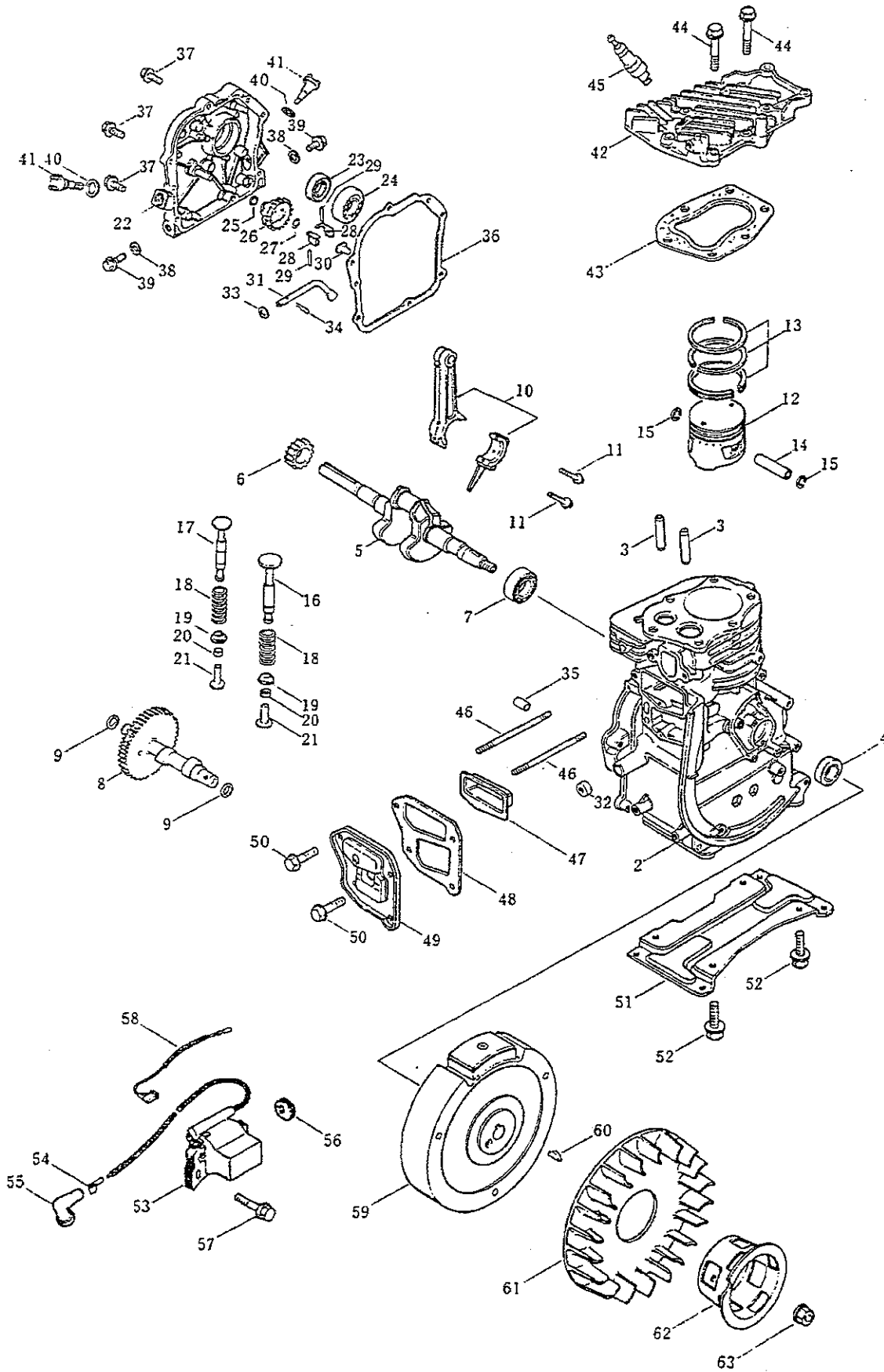
---

1987. 2.27.

| Item | Part No. | Description                      | Qty | Remarks           |
|------|----------|----------------------------------|-----|-------------------|
| 3-31 | 107238   | Valve ball                       | 1   | ∅12.7             |
| 3-32 | 016975   | Pressure regulator valve rod     | 1   |                   |
| 3-33 | 011451   | Pressure regulator valve bellows | 1   |                   |
| 3-34 | 016972   | Bellows packing                  | 1   | ∅5 × ∅22 × t1.5   |
| 3-35 | 012255   | Washer                           | 1   | ∅6.2 × ∅22 × t0.6 |
| 3-36 | 091009   | Pressure regulator main body     | 1   | Incl.37,38        |
| 3-37 | 022939   | Handle, pressure regulator valve | 1   |                   |
| 3-38 | 020299   | E-shaped snap ring               | 1   | #4                |
| 3-39 | 012502   | Spring washer                    | 2   | M6                |
| 3-40 | 092017   | Screw                            | 2   | M6×55, Incl.39    |
| 3-41 | 024988   | Knob stopper                     | 1   |                   |
| 3-42 | 022902   | Washer                           | 4-7 | ∅8.5 × ∅13 × t1   |
| 3-43 | 029488   | Pressure regulator valve knob    | 1   | M8×30             |
| 3-44 | 022056   | O-ring                           | 1   | P7                |

( EMH153-01 )

# 4 • ENGINE (1)



MS153EMH PARTS LIST

1987. 2.27.

| Item | Part No. | Description               | Qty | Remarks     |
|------|----------|---------------------------|-----|-------------|
| 4-1  | 815206   | Engine                    | 1   | G100K1(SJ)  |
| 4-2  | 998180   | Cylinder barrel, ass'y    | 1   | Incl.3,4    |
| 4-3  | 990357   | Valve guide               | 2   |             |
| 4-4  | 990479   | Oil seal                  | 1   | 17 30 6     |
| 4-5  | 998181   | Crankshaft, compl.        | 1   | Incl.6,7    |
| 4-6  | 998182   | Timing gear               | 1   |             |
| 4-7  | 990507   | Bearing                   | 1   | #6203       |
| 4-8  | 998183   | Camshaft, compl.          | 1   |             |
| 4-9  | 998184   | Washer                    | 2   | M12         |
| 4-10 | 998185   | Connecting rod, ass'y     | 1   | Incl.11     |
| 4-11 | 998186   | Connecting rod bolt       | 2   |             |
| 4-12 | 998187   | Piston                    | 1   |             |
| 4-13 | 998188   | Piston ring set           | 1   |             |
| 4-14 | 990368   | Piston pin                | 1   |             |
| 4-15 | 990369   | Piston pin clip           | 2   |             |
| 4-16 | 998189   | Intake valve              | 1   |             |
| 4-17 | 998190   | Exhaust valve             | 1   |             |
| 4-18 | 990378   | Valve spring              | 2   |             |
| 4-19 | 998191   | Valve spring retainer     | 2   |             |
| 4-20 | 990380   | Tappet clearance adjuster | 2   | 3.15        |
| 4-20 | 990381   | Tappet clearance adjuster | 2   | 3.25        |
| 4-20 | 990382   | Tappet clearance adjuster | 2   | 3.34        |
| 4-20 | 990383   | Tappet clearance adjuster | 2   | 3.43        |
| 4-20 | 990384   | Tappet clearance adjuster | 2   | 3.52        |
| 4-20 | 990385   | Tappet clearance adjuster | 2   | 3.61        |
| 4-20 | 990386   | Tappet clearance adjuster | 2   | 3.72        |
| 4-20 | 990387   | Tappet clearance adjuster | 2   | 3.82        |
| 4-21 | 998192   | Valve lifter              | 2   |             |
| 4-22 | 998193   | Crankcase cover, ass'y    | 1   | Incl.23 ~27 |
| 4-23 | 990479   | Oil seal                  | 1   | 17 30 6     |

MS153EMH      PARTS LIST

---

1987. 2.27.

| Item | Part No. | Description            | Qty | Remarks    |
|------|----------|------------------------|-----|------------|
| 4-24 | 990507   | Bearing                | 1   | #6203      |
| 4-25 | 990492   | Washer                 | 1   | M6         |
| 4-26 | 998194   | Governor weight holder | 1   |            |
| 4-27 | 990477   | Clip                   | 1   |            |
| 4-28 | 990405   | Governor weight        | 2   |            |
| 4-29 | 998195   | Governor weight pin    | 2   |            |
| 4-30 | 998196   | Governor slider        | 1   |            |
| 4-31 | 990408   | Governor arm shaft     | 1   |            |
| 4-32 | 990480   | Oil seal               | 1   |            |
| 4-33 | 998197   | Washer                 | 1   | M5         |
| 4-34 | 990496   | Lock pin               | 1   | 8mm        |
| 4-35 | 990497   | Knock pin              | 2   | 8 × 14     |
| 4-36 | 990359   | Packing                | 1   |            |
| 4-37 | 998198   | Bolt                   | 6   | M6 × 28    |
| 4-38 | 998199   | Drain plug washer      | 2   | M10.2      |
| 4-39 | 998200   | Drain plug bolt        | 2   |            |
| 4-40 | 998201   | Oil filler cap packing | 2   |            |
| 4-41 | 998202   | Oil filler cap         | 2   |            |
| 4-42 | 998203   | Cylinder head          | 1   |            |
| 4-43 | 998204   | Cylinder head gasket   | 1   |            |
| 4-44 | 998205   | Bolt                   | 6   | M6 × 35    |
| 4-45 | 990508   | Spark plug             | 1   | BM-4A      |
| 4-46 | 990468   | Stud bolt              | 2   | M5 × 80    |
| 4-47 | 998206   | Inner separator        | 1   |            |
| 4-48 | 998207   | Gasket                 | 1   |            |
| 4-49 | 998208   | Tappet room cover      | 1   |            |
| 4-50 | 990464   | Bolt                   | 4   | M5 × 10    |
| 4-51 | 998209   | Engine bed             | 1   |            |
| 4-52 | 998210   | Bolt                   | 4   | M8 × 18    |
| 4-53 | 998211   | Ignition coil, ass'y   | 1   | Incl.54,55 |

( EMH153-01 )

MS153EMH PARTS LIST

1987. 2.27.

| Item | Part No. | Description      | Qty | Remarks |
|------|----------|------------------|-----|---------|
| 4-54 | 990460   | Plug terminal    | 1   |         |
| 4-55 | 998212   | Cap              | 1   |         |
| 4-56 | 998213   | Grommet          | 1   |         |
| 4-57 | 998214   | Bolt             | 2   | M6×25   |
| 4-58 | 998215   | Stop switch cord | 1   |         |
| 4-59 | 998216   | Flywheel, compl. | 1   |         |
| 4-60 | 990478   | Key              | 1   |         |
| 4-61 | 998217   | Cooling fan      | 1   |         |
| 4-62 | 998218   | Starter pulley   | 1   |         |
| 4-63 | 998219   | Nut              | 1   | M12     |



MS153EMH PARTS LIST

1987. 2.27.

| Item | Part No. | Description             | Qty | Remarks     |
|------|----------|-------------------------|-----|-------------|
| 5-1  | 998220   | Fan cover, compl.       | 1   |             |
| 5-2  | 990467   | Bolt                    | 5   | M6×12       |
| 5-3  | 998221   | Stop switch, ass'y      | 1   |             |
| 5-4  | 998222   | Shroud                  | 1   |             |
| 5-5  | 998223   | Clip                    | 1   |             |
| 5-6  | 998224   | Fuel tank, compl.       | 1   |             |
| 5-7  | 990430   | Fuel filter holder      | 1   |             |
| 5-8  | 990429   | Fuel filter             | 1   |             |
| 5-9  | 998225   | Fuel filter cap, compl. | 1   | Incl.10     |
| 5-10 | 990428   | Packing                 | 1   |             |
| 5-11 | 998230   | Bolt                    | 1   | M6×14       |
| 5-12 | 990487   | Nut                     | 4   | M6          |
| 5-13 | 998226   | Packing                 | 1   |             |
| 5-14 | 998227   | Fuel tank joint, compl. | 1   |             |
| 5-15 | 998231   | Fuel tube               | 1   |             |
| 5-16 | 990499   | Tube clip               | 2   |             |
| 5-17 | 998228   | Muffler, compl.         | 1   |             |
| 5-18 | 990433   | Muffler separator       | 1   |             |
| 5-19 | 998229   | Screw                   | 3   | M6×6        |
| 5-20 | 998232   | Muffler gasket          | 1   |             |
| 5-21 | 998233   | Stud bolt               | 2   | M6×50       |
| 5-22 | 998234   | Recoil starter, ass'y   | 1   | Incl.23 ~34 |
| 5-23 | 998235   | Starter case, compl.    | 1   |             |
| 5-24 | 998236   | Return spring           | 1   |             |
| 5-25 | 998237   | Starter reel            | 1   |             |
| 5-26 | 998238   | Starter grip            | 1   |             |
| 5-27 | 998239   | Starter rope            | 1   |             |
| 5-28 | 998240   | Starter ratchet         | 1   |             |
| 5-29 | 998241   | Ratchet shaft           | 1   |             |
| 5-30 | 998242   | Friction plate (A)      | 1   |             |

( EMH153-01 )



MS 153EMH      PARTS LIST

1987. 2.27.

| Item | Part No. | Description              | Qty | Remarks     |
|------|----------|--------------------------|-----|-------------|
| 5-31 | 998243   | Friction spring          | 1   |             |
| 5-32 | 998244   | Reel starter cover       | 1   |             |
| 5-33 | 998245   | Friction plate (B)       | 1   |             |
| 5-34 | 998246   | Bolt                     | 1   |             |
| 5-35 | 998247   | Bolt                     | 3   | M6×8        |
| 5-36 | 998248   | Carburetor, ass'y        | 1   | Incl.37 ~55 |
| 5-37 | 998249   | Gasket set               | 1   |             |
| 5-38 | 998250   | Float valve set          | 1   |             |
| 5-39 | 998251   | Main nozzle              | 1   |             |
| 5-40 | 998252   | Main jet                 | 1   | #62         |
| 5-41 | 998253   | Float set                | 1   |             |
| 5-42 | 998254   | Float chamber set        | 1   |             |
| 5-43 | 998255   | Drain screw set          | 1   |             |
| 5-44 | 998256   | Screw set                | 1   |             |
| 5-45 | 998257   | Pilot screw set          | 1   |             |
| 5-46 | 998258   | Throttle stop screw      | 1   |             |
| 5-47 | 998259   | Choke set                | 1   |             |
| 5-48 | 998260   | Pilot jet set            | 1   | #35         |
| 5-49 | 998261   | Fuel strainer cup        | 1   |             |
| 5-50 | 998262   | O-ring                   | 1   |             |
| 5-51 | 998263   | Packing                  | 1   |             |
| 5-52 | 998264   | Cock lever               | 1   |             |
| 5-53 | 998265   | Spring                   | 1   |             |
| 5-54 | 998266   | Lever setting plate      | 1   |             |
| 5-55 | 998267   | Screw                    | 2   | M3×6        |
| 5-56 | 998268   | Packing                  | 1   |             |
| 5-57 | 998269   | Carburetor insulator     | 1   |             |
| 5-58 | 998270   | Insulator packing        | 1   |             |
| 5-59 | 998271   | Air cleaner packing      | 1   |             |
| 5-60 | 998272   | Air cleaner case, compl. | 1   | Incl.61,62  |

( EMH153-01 )

MS153EMH      PARTS LIST

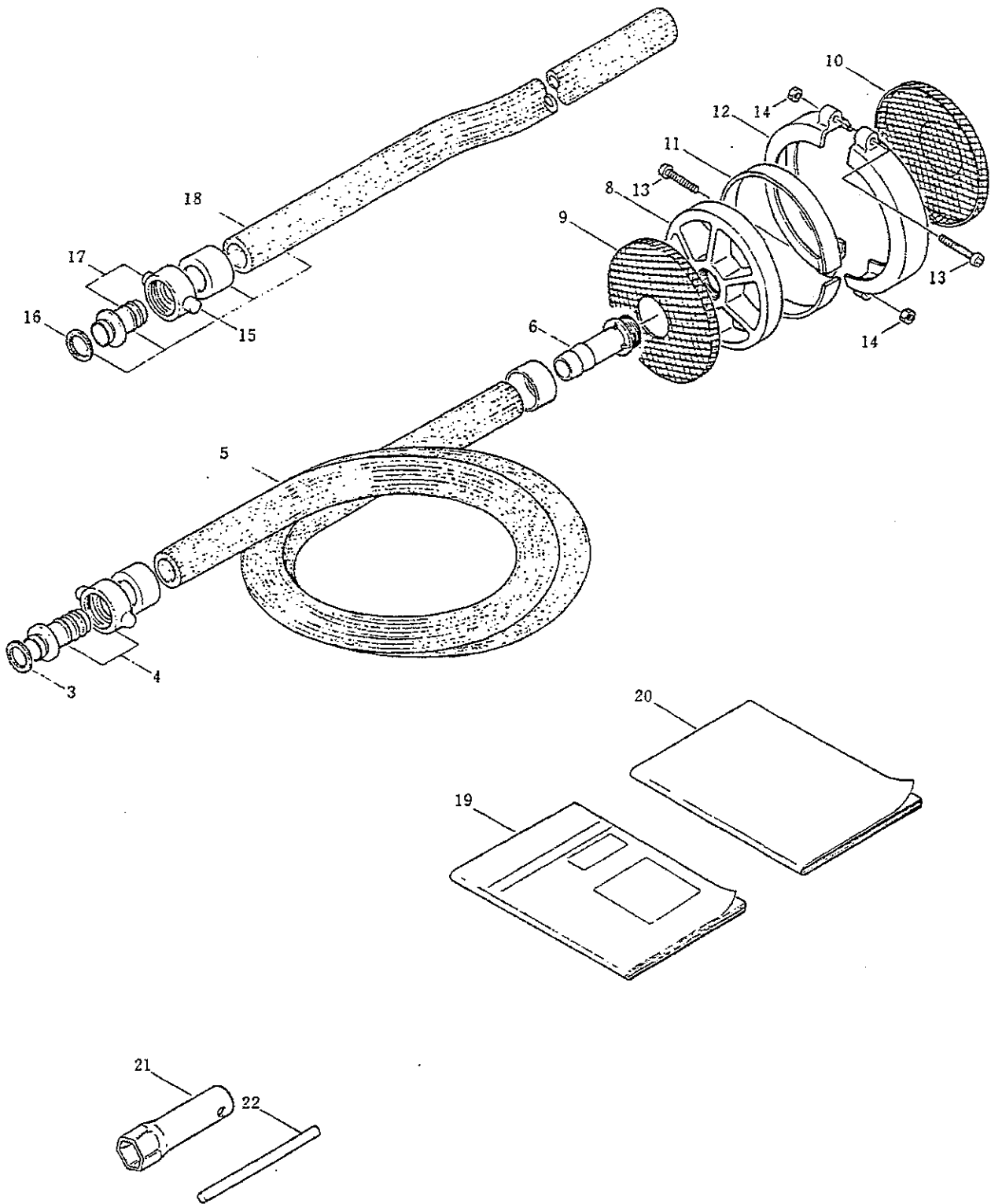
---

1987. 2.27.

| Item | Part No. | Description              | Qty | Remarks     |
|------|----------|--------------------------|-----|-------------|
| 5-61 | 990492   | Washer                   | 1   | M6          |
| 5-62 | 990471   | Nut                      | 1   |             |
| 5-63 | 998273   | Nut                      | 2   | M5          |
| 5-64 | 998274   | Breather tube            | 1   |             |
| 5-65 | 990423   | Air cleaner grid         | 1   |             |
| 5-66 | 990422   | Air cleaner element      | 1   |             |
| 5-67 | 998275   | Air cleaner cover        | 1   |             |
| 5-68 | 998276   | Control, ass'y           | 1   | Incl.69 ~78 |
| 5-69 | 998277   | Control base, compl.     | 1   |             |
| 5-70 | 998278   | Control lever spacer     | 1   |             |
| 5-71 | 998279   | Control lever            | 1   |             |
| 5-72 | 998280   | Lever spring             | 1   |             |
| 5-73 | 998281   | Control lever washer     | 1   |             |
| 5-74 | 990471   | Nut                      | 1   |             |
| 5-75 | 990418   | Cable holder             | 1   |             |
| 5-76 | 990486   | Screw washer             | 1   | M5×16       |
| 5-77 | 990419   | Control adjusting spring | 1   |             |
| 5-78 | 998282   | Screw                    | 1   | M5×20       |
| 5-79 | 990467   | Bolt                     | 2   | M6×12       |
| 5-80 | 998283   | Governor arm             | 1   |             |
| 5-81 | 991246   | Bolt                     | 1   | M6×20       |
| 5-82 | 990487   | Nut                      | 1   | M6          |
| 5-83 | 998284   | Governor spring          | 1   |             |
| 5-84 | 998285   | Governor rod             | 1   |             |
| 5-85 | 998286   | Throttle return spring   | 1   |             |

( EMH153-01 )

6 • ACCESSORIES



MS 153 EMH      PARTS LIST

1987. 2.27.

| Item | Part No. | Description             | Qty | Remarks             |
|------|----------|-------------------------|-----|---------------------|
| 6-1  | 106635   | Suction hose, ass'y     | 1   | Incl.2~14           |
| 6-2  | 106636   | Suction hose            | 1   | Incl.3~8            |
| 6-3  | 103685   | Packing                 | 1   | ∅12×∅18.5×t1.5      |
| 6-4  | 098009   | Hose coupling           | 1   | PF1/2,026902+103200 |
| 6-5  | 103573   | Hose                    | 1   | ∅13×3000 L.         |
| 6-6  | 106637   | Hose coupling           | 1   | PF1 × ∅13 hose      |
| 6-7  | 105930   | Suction strainer, ass'y | 1   | Incl.8~14           |
| 6-8  | 105931   | Strainer body           | 1   |                     |
| 6-9  | 105933   | Strainer net (A)        | 1   |                     |
| 6-10 | 105934   | Strainer net (B)        | 1   |                     |
| 6-11 | 105935   | Weight                  | 1   |                     |
| 6-12 | 105932   | Strainer ring           | 2   |                     |
| 6-13 | 089761   | Screw                   | 2   | M4×20               |
| 6-14 | 081166   | Nut                     | 2   | M4,3シユ              |
| 6-15 | 104344   | Discharge hose, ass'y   | 1   | Incl.16 ~18         |
| 6-16 | 103685   | Packing                 | 1   | ∅12×∅18.5×t1.5      |
| 6-17 | 098009   | Hose coupling           | 1   | PF1/2,026902+103200 |
| 6-18 | 104345   | Hose                    | 1   | ∅13×3000 L          |
| 6-19 |          | Instruction manual      | 1   |                     |
| 6-20 | 101913   | Instruction manual      | 1   | Engine              |
| 6-21 | 101900   | Box spanner             | 1   | 19                  |
| 6-22 | 101912   | Handle                  | 1   |                     |



**Maruyama U.S., Inc.**  
3570 Shelby Lane  
Denton, TX 76207  
940-383-7400 voice  
940-383-7466 fax

[www.maruyama-us.com](http://www.maruyama-us.com)