



BACKPACK POWER SPRAYER
PULVERIZADOR TIPO MOCHILA CON MOTOR

MISO76

OWNER'S/OPERATOR'S MANUAL
MANUAL DE PROPIETARIO U OPERADOR

Completely read and understand this manual before using this product
Antes de utilizar este producto, es preciso leer y comprender este manual.

Preface

Thank you for purchasing this product.

This operation manual explains the correct handling method, simple checks and maintenance of this product.

Please read this operation manual carefully, understand its contents, and use it to maintain the superior performance of this product.

Keep this manual carefully after you read it and use it for extended operation of this product. Note that discrepancies between the actual product and

the content of this manual may be found as we are continually making improvements to provide better quality products to our customers.

- Please keep this operation manual carefully.
- If you lose this operation manual, purchase a replacement at your nearest sales outlet or our sales office.
- Modifying this product prevents safe and comfortable operation, and is very dangerous

Purpose of use

This product can be used for the following agricultural work. Avoid use for purposes other than the following.

- 1) Spraying chemicals for blight or harmful insects on general farm crops
- 2) Spraying chemicals for blight or harmful insects on fruit trees
- 3) Spraying chemicals for blight or harmful insects on crops cultivated in greenhouse
- 4) Spraying chemicals for blight or harmful insects on flowers
- 5) Spraying disinfecting liquid or insecticide on

farm house or chicken house

- 6) Spraying chemicals and water for blight or harmful on garden trees, bonsai, or lawns
- 7) Spraying disinfecting liquid and insecticide for urban sanitation
- 8) Spraying chemicals for blight or harmful insects on flower beds and in parks
- 9) Spraying weed killer to control weeds
- 10) Cleaning and spraying water for vegetables or root vegetables

When transporting by automobile, take action to prevent the machine from falling.

Warnings

In this manual, important handling cautions are indicated as follows:



DANGER

Death or serious injury may occur when not complying with the warning.



WARNING

Possibly death or serious injury may occur when not complying with the warning.



CAUTION

Possibly injury may occur when not complying with the warning

CAUTION

Machine will possibly be damaged if not complying with the warning

Contents

1. In order to work safely_____	2
Cautions prior to work_____	2
Warning label _____	2
Cautions when using this product _____	3
2. Name of each part_____	4
3. Handling and operating method_____	5
Assembly of nozzle_____	5
Oil feeding and mixing_____	6

How to remove or mount strainer_____	6
Start_____	7
Operation and shutting down_____	9
4. Cleaning, maintenance, and storage_____	11
Cleaning, maintenance and draining_____	11
Storage_____	12
Trouble-shooting and actions_____	12
5. Specifications _____	13

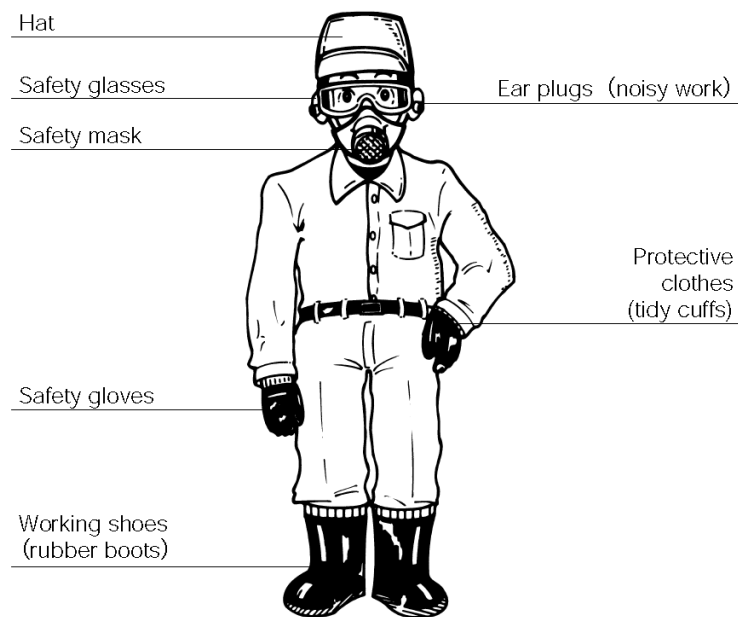
1. In order to work safely

Cautions prior to work

The following persons shall not do spraying work.

- Person who cannot do normal spraying work due to fatigue, illness, effects of chemicals.
- Person who is under the influence of liquor
- Person who is pregnant
- Other than spray operator
- Children should be prevented from using this machine.

Appropriate clothes for the work shall be worn



- Check and maintain protective equipment to maintain their normal functions at all times, and use them correctly.
- When lending the machine to another party or having someone else operate it, provide training on the operating method in advance, and explain each at the warning labels with k(Safety caution mark).

Warning label

- Always remove dirt or mud to make the indications legible.
- The following alarm labels are attached.



Read operation manual thoroughly.
Make sure you read the operation manual thoroughly prior to use.



Prohibition of fire
Don't put a naked flame close to a place where supplying fuel or doing maintenance.



Wear personal protective equipment
Wear protectors such as hat, safety glasses, ear plugs during work.



Cautions for exhaust gas
Take care not to breathe in exhaust gas from the engine.



Cautions for high temperatures
Muffler of engine, fin of cylinder, etc. are at high temperatures. Don't touch them.

Cautions when using this product

Chemicals

- Read labels of chemicals to be used carefully, and understand the method of use and cautions. When spraying quantity per tank (1000m²) or if the chemical is mistaken, agricultural chemicals can cause damage.
- Store chemicals in a safe place, and be careful not to break open their containers during transportation.
- Treat chemical containers to ensure safety.
- Pay attention to the handling of chemicals. If a chemical enters into eye or mouth, wash it off with water immediately.
- If you feel ill, see a doctor immediately.
- According to wind direction, change the spraying method to protect workers and houses. When spraying chemicals, work from upwind to downwind. Also give consideration to prevent chemicals from drifting or scattering on crops, enclosures, fish-breeding ponds, and houses nearby.
- When working in and greenhouse, pay attention to ventilation.
- When preparing chemicals, prepare the necessary amount only in accordance with the established spraying plan. If too much chemicals are left over, action is difficult.

CAUTION

- Do not use this machine when there are people, especially children, near the site.
- Because the tank when completely filled with the chemical is very heavy, pay careful attention not to hurt your lower back when carrying it.
- Always adopt a safe working posture when carrying the tank. Do not work at elevated sites using stairs or ladders while carrying the tank.

Fuel

DANGER

- Don't bring a naked flame close to where fuel is supplied or the machine is main-tained.
- When supplying fuel, make sure you stop the engine and wait for the engine to cool down. If fuel is spilled, wipe it off.

CAUTION

- Don't use gasoline alone as fuel.

When using general-purpose two-cycle engine oil	
Gasoline	: Two-cycle engine oil
25	: 1

Engine

CAUTION

- Temperature of engine is high during operation and immediately after stopping. You will get a burn if you touch the muffler, cylinder fin, etc.
- When starting the engine, confirm that the ball valve is securely closed to prevent explosion caused by a sudden spray.

WARNING

- Don't touch the spark plug during engine operation. You might get shock.
- Don't operate inside a room. You might suffer by carbon monoxide poisoning.
- Don't breathe in the exhaust gas from the engine.

Recoil Starter

CAUTION

- Potential danger on recoil disassembly. Do not disassemble the recoil. Contact the sales office for repair.

CAUTION

- Do not pull the starting rope thoroughly. Potential failure may be concerned if disregarded.

Pump

- Chemicals are sprayed from the nozzle at a high pressure. Don't spray them toward any body.

Checks prior to work

CAUTION

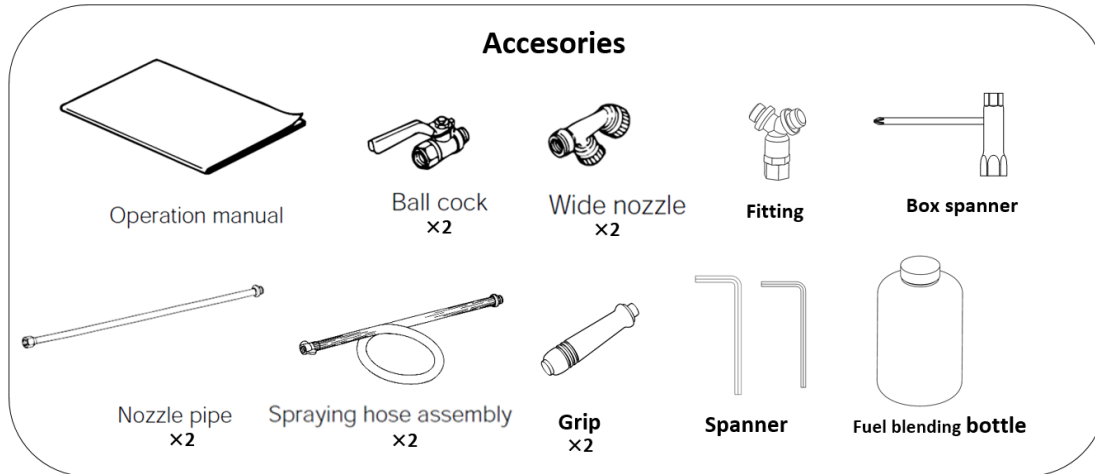
- Check for loose screws in each portion.
- Loose screws cause accidents.
- Adjust length of carrying strap to fit your physique

2. Name of each part

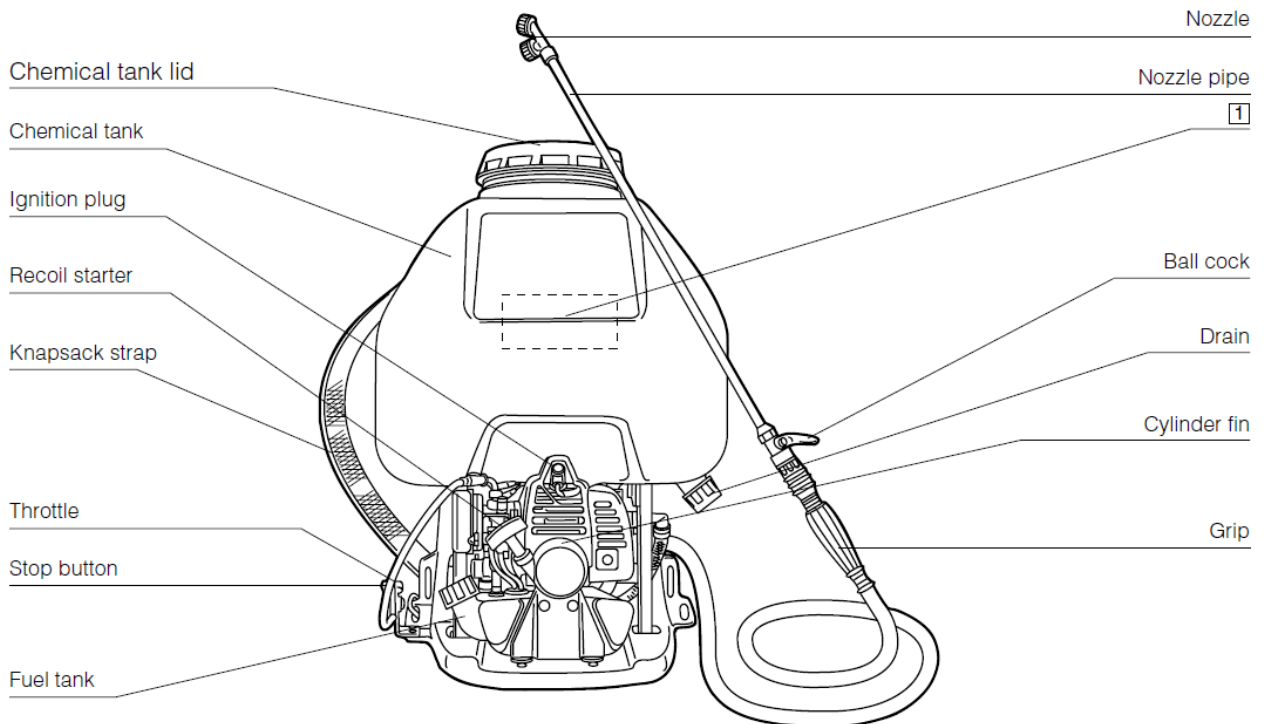
Confirmation of standard parts

After opening the package, confirm that all accessories are present.

If accessories are missing or damaged, inform the sales outlet where you purchased the product.



Name of each part



1

PRECAUCIÓN

1. Lea el manual de funcionamiento detenidamente.
2. No opere el equipo cuando el tanque químico está vacío.
3. Utilice el colador para llenar el tanque con la mezcla química.
4. Lave el interior de la bomba después de cada uso al final del día con agua limpia para que los residuos químicos sean expulsados por la manguera y el tapón de drenado. Después de limpiar la bomba repita la operación con agua limpia.
5. Para almacenaje a largo plazo, vacíe toda el agua del tanque, bomba, manguera y boquilla. Guarde en un lugar seco, fresco y oscuro. Manténgalo alejado de bajas temperaturas ya que el hielo pueden dañar la bomba.

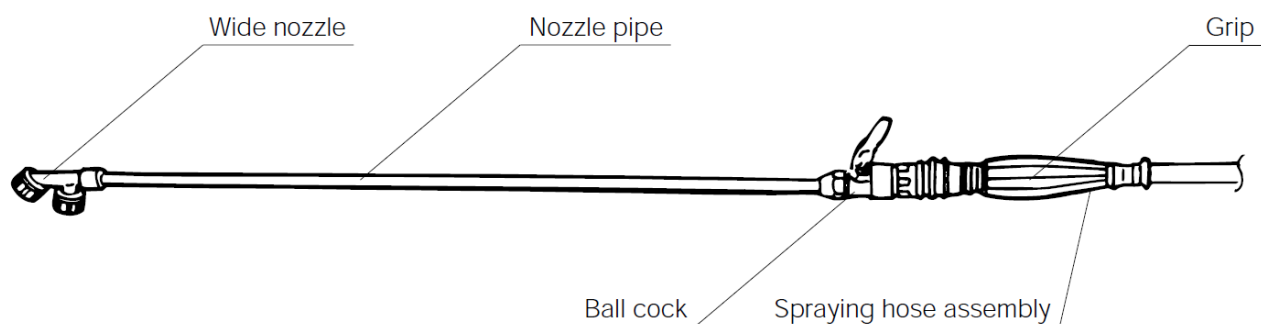
CAUTION

1. Read Operator's Manual carefully.
2. Do not operate when the tank is empty.
3. Use the strainer to fill the tank with chemical liquid.
4. Wash up Inside pump after every day's spraying Job by pumping fresh water so that residual chemicals are drain out through nozzle and drain hole. After cleaning drain out remaining water completely.
5. For the long term storage, drain all water out of the tank, pump, hose and nozzle. Store in a dry, cool, and dark place. The equipment must be free from freezing as freeze may break pump.

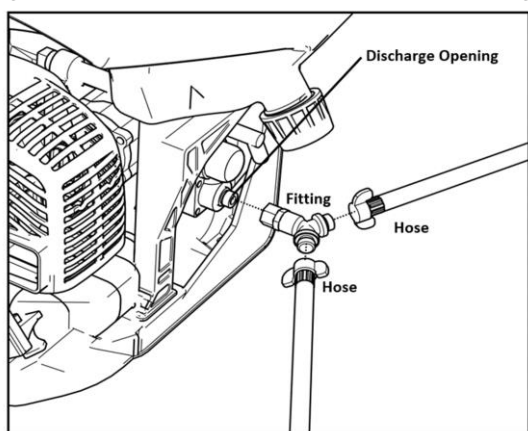
563054

3. Handling and operating method

Assembly of nozzle



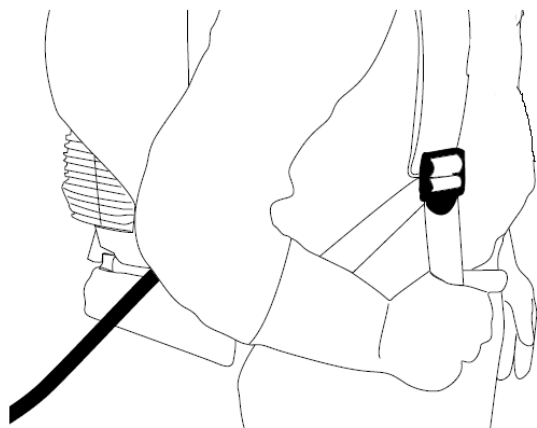
After confirming the existence of packing, securely tighten nozzle pipe to grip, and wide nozzle to nozzle pipe. Tighten the screw securely after confirming the packing to make ensure there is no water leakage. Over-tightening will cause extrusion or break the packing. Correct tightening pressure is important.



Connect a fitting to discharge opening of the sprayer, and Connect hoses to fitting.

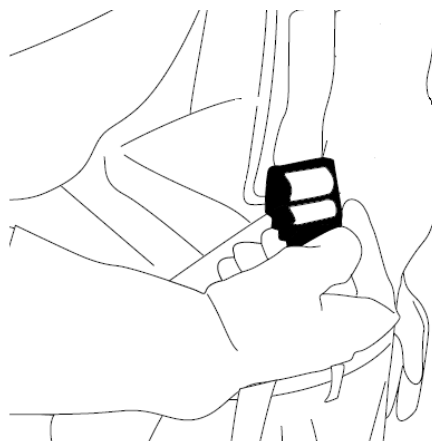
The adjustment of knapsack strap

1. Tighten the strap



Pull the strap downward.

2. Loosen the strap



Lift strap buckle upward to loosen.

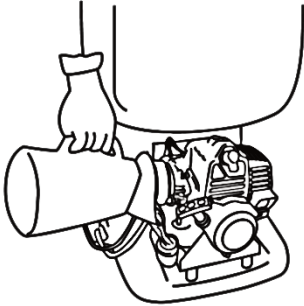
Oil feeding and mixing

Oil feeding

- Make sure you use blended fuel.

Gasoline : exclusive oil
25 : 1

Use exclusive oil for two-cycle engine engines.



There is a possibility of fuel igniting. Make sure you observe the following items.

DANGER

There is a possibility of fuel igniting. Make sure you observe the following items.

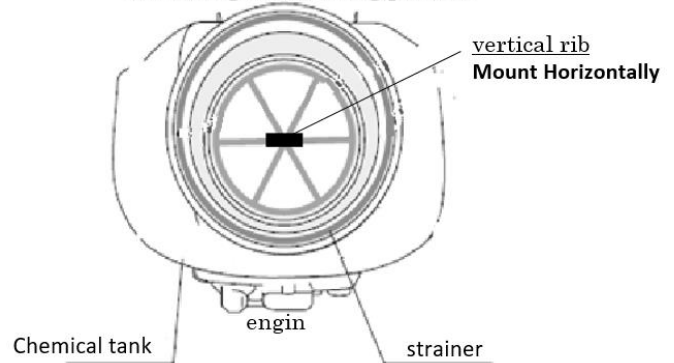
- When feeding fuel, stop the engine and ensure no source of fire such as cigarette is close to the area.
- Don't spill fuel. If fuel is spilled, wipe it all off at once and start the engine after it is dry.
- Don't feed fuel above the standard line. There is the possibility of leakage.
- When a fuel leakage is found, use the engine after repair are done.
- After feeding fuel, make sure you close the fuel tank cap.
- When starting the engine, be more than three meters from the supply tank.

CAUTION

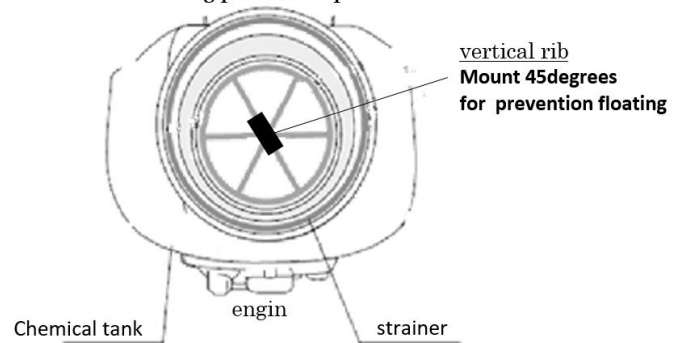
- If operating the machine with gasoline alone, the engine will seize. Make sure to mix exclusive two-cycle engine oil in the specified quantity.
- The mixing ratio shall be the designated ratio for exclusive two-cycle engine oil.
- Use lead-free gasoline for automobiles for fuel.

How to remove or mount strainer

< Mounting or Removing position >

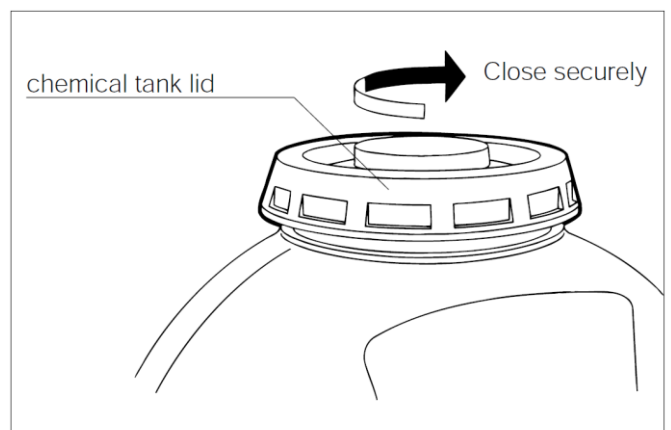


< floating prevention position >



Mixing chemicals

- Read the instructions for the chemical to be used carefully and follow the mixing method and cautions for use.

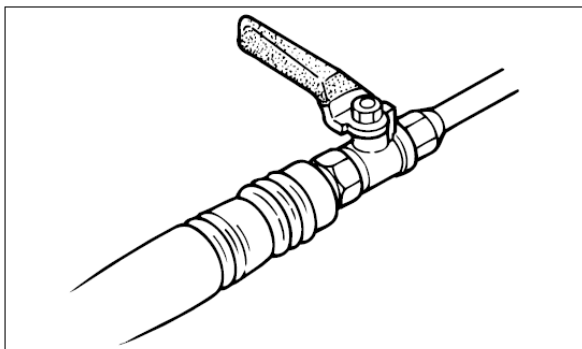


- After confirming the proper placement of the chemical cover, close the cover securely. Otherwise, chemicals will spill and you might be covered with them when you carry the machine on your back.

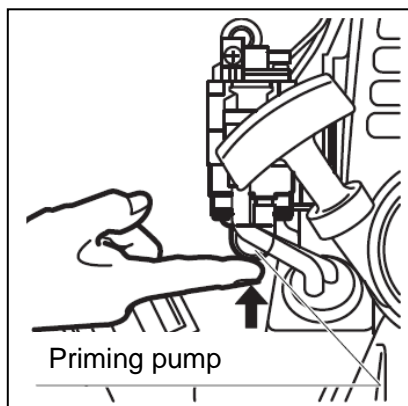
Start

Start of engine

- When starting the engine, make sure to put water or chemicals into the chemical tank. Without water or chemicals in the tank, the pump will break down.
- It is confirmed that the ball cock has closed before it starts.

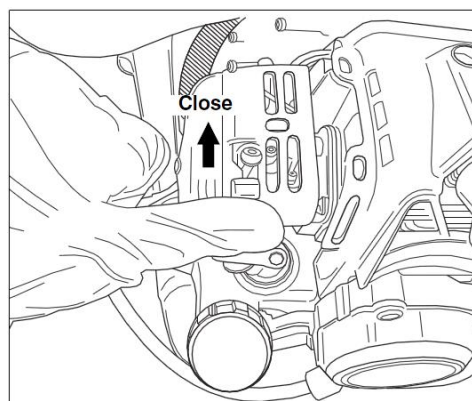


- 1** Perform priming. Push priming pump installed in front of the carburetor (rear in the specification with cell starter) several times slowly, and confirm that fuel fills the priming pump and returns to the tank.



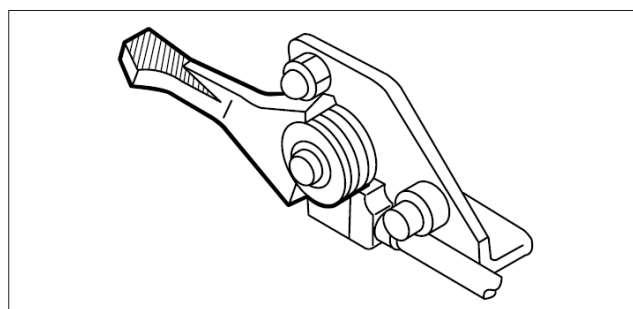
2

Fully close the choke. (In hot weather or when engine is hot, the choke should be partly open or fully open.)



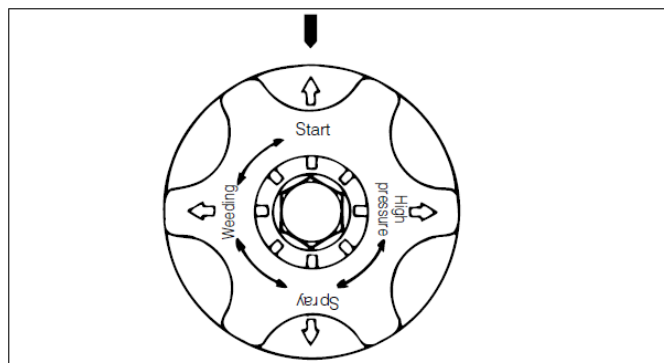
3

Move throttle lever to medium-and low speed position.



4

Set handle of pressure control valve at "Start" position.

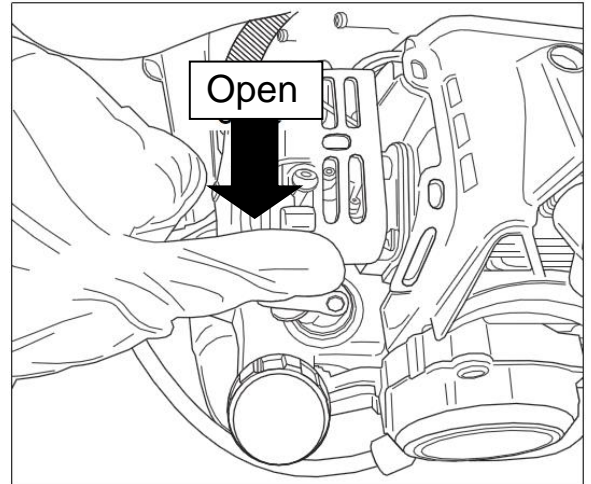


5 Engine will start.
After pulling starting rope gently by two or three times, pull it hard to start the engine.

[Pulling method for starting rope]

1. Grasp starting rope tight with right hand.
2. Hold chemical tank with left hand.
3. Pull starting rope slowly until resistance is felt.
4. Pull starting rope straight from entrance of starter.
5. Do not pull starting rope to the end.
6. Don't release starting rope from pulled state, and let it return to its original state gradually.

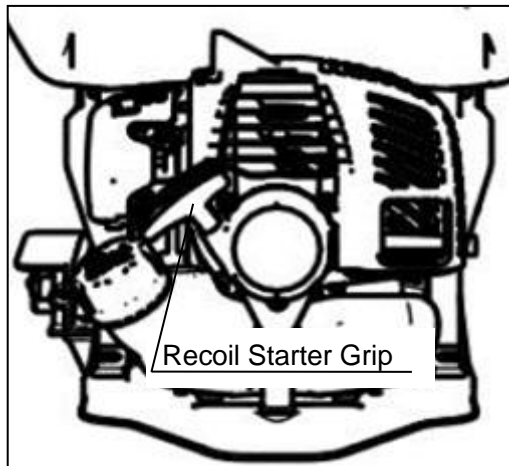
6 Return choke slowly.



CAUTION

If the engine does not start by repeated action, try pulling the rope after fully opening the choke.

※ If the engine still does not start, refer to page 13.



CAUTION

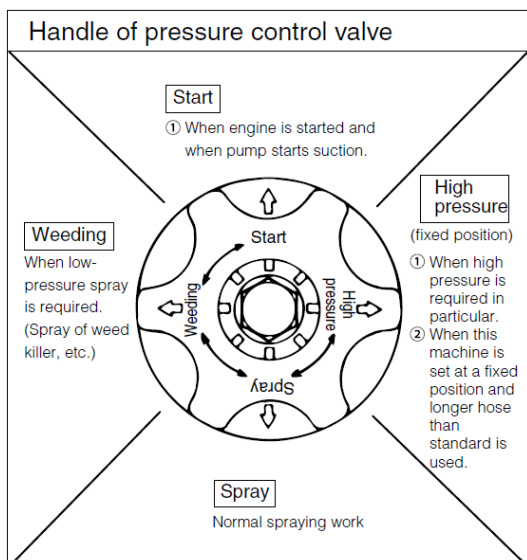
- Frequent operation of choke when starting the engine causes too much fuel to be sucked in, making the engine difficult to start. In that case, start after making the choke fully open.
- After starting the engine, accelerate bit by bit quickly by opening and closing the throttle lever several times.
- This operation is to bleed air in the carburetor. When there is air present, there is the possibility of poor acceleration and engine stalling.
- Supply fuel prior to use if possible. This will make starting next time easy

Operation and shutting down

Operation

1

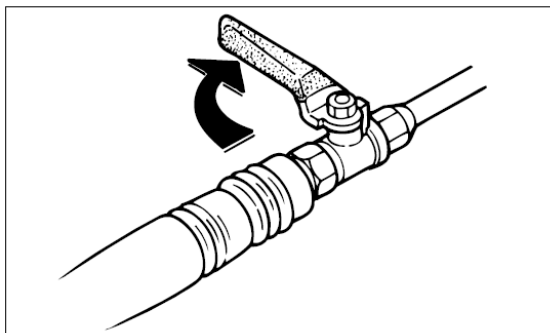
Turn the handle of the pressure control valve until there is sufficient pressure for work such as spraying weeds (fixed position).



Stop

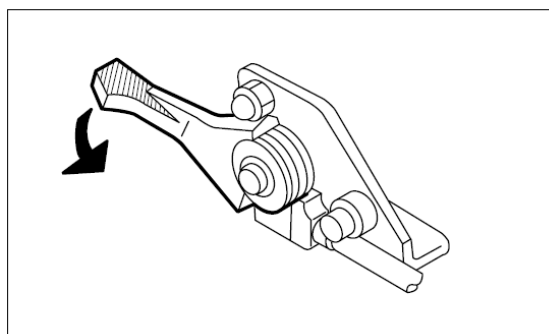
1

Close ball cock



2

Return throttle lever to low speed



2

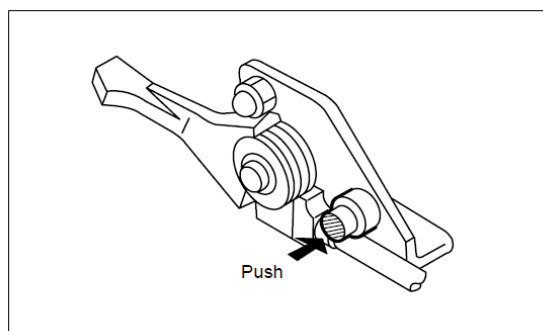
After confirming spraying state and abnormalities in the machine, move throttle lever to high-speed position

CAUTION

- When setting the pressure control valve handle to "spray", "weeding" with throttle fully open at the "high pressure" position of pressure control valve handle, engine revolutions increase as pressure decreases. When using this machine at the "spray", "weeding" position, use at a position little bit back from full open throttle.
- No-load running shall not be carried out except for draining operation. Piston packing might be damaged.

3

Push stop button to stop engine.



3

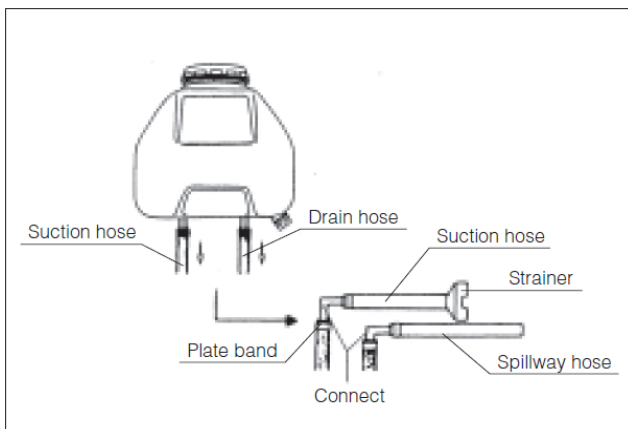
When opening ball valve, chemicals will be sprayed from nozzle in a mist.

Use at fixed position, replacing nozzle and shutting down

Use at fixed position

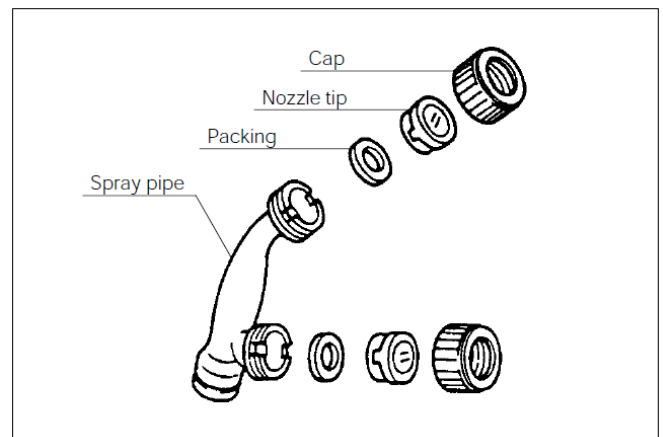
Connecting method of hose when sucking water from the separate tank in case of operating at fixed position. (Hose, strainer, etc., are optional accessories.)

- (1) Remove suction and spillway hose from the tank.
- (2) Insert respective hose connection into suction and spillway hose, and fix them using plate



Replacement nozzle

- (1) Round nozzle 25 (Optional accessory)
Exclusive nozzle for rounding up weed remover.
- (2) Replacement nozzle tip D-6 (Optional accessory)
 - a. Using replacement nozzle tip, about 1.5 times of spray volume is available compare to standard nozzle.
 - b. When large volume of spray or large volume of spray at low pressure is necessary, this replacing nozzle can be used.
 - c. D-6 is indicated on the surface of replacement nozzle tip. (C-35 is standard)
 - d. Replacement can be done by loosening the screw of the nozzle cap. When replacing, stop the machine. Close ball cock.



4. Cleaning, maintenance, and storage

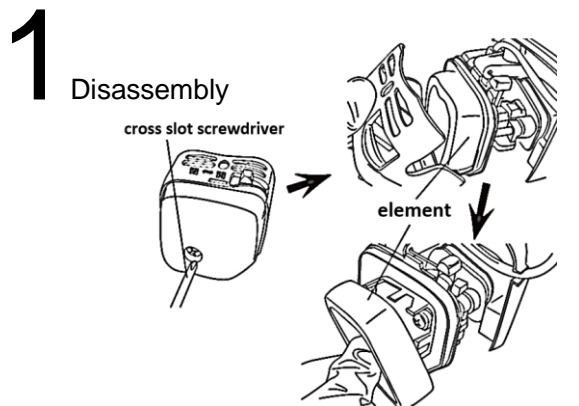
Cleaning, maintenance and draining

For cleaning, checking and maintenance, be sure to stop the machine.

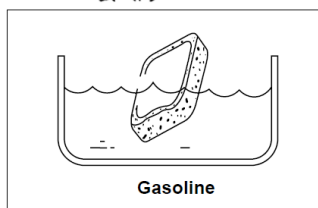
Check and maintenance items for each season

Cleaning of air cleaner

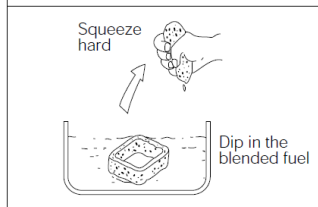
- When elements become dirty and clog state, reduced output or difficulty starting is observed. Clean the regularly to remove dirt and prevent clogging.
- When cleaning the element, wash it using gasoline, dip it in the blended fuel used and install it after squeezing it hard.



2 Clean

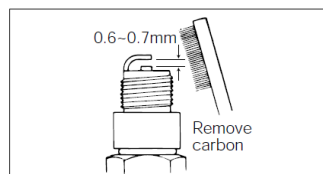


3 Squeeze



Cleaning ignition plug

- Remove carbon, and adjust the clearance to 0.6-0.7mm.



Pump

Check for worn piston packing and seal packing, and replace worn one with new one.

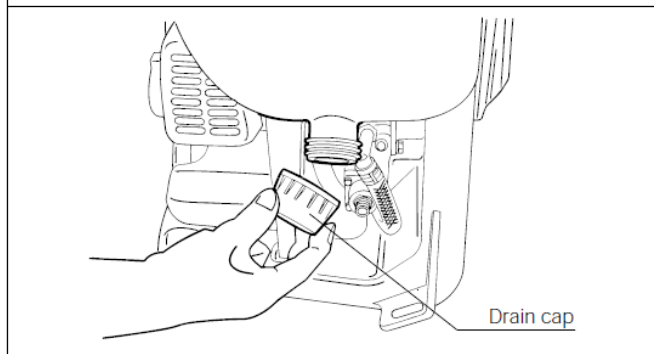
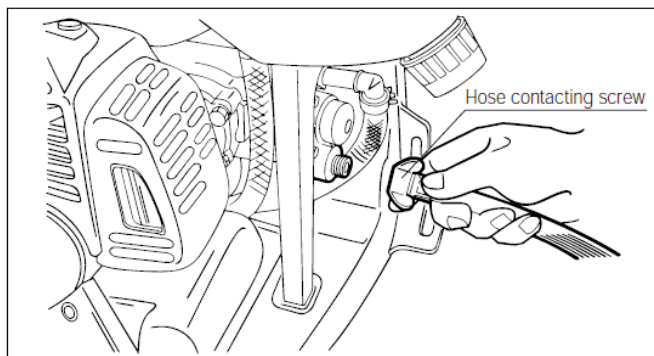
- ✘ For disassembly and maintenance, consult with the sales outlet where you purchased the product or sales office.

Drain

CAUTION

Make sure of drain, otherwise the pump might be damaged by freezing in winter.

- ① Remove drain cap of chemical tank and hose connecting screw of pump to drain residual liquid.
- ② Put fresh water into the chemical tank, start the engine, spray from the nozzle to clean the pump and inside of the hose.
- ③ Operate for 15-20 seconds to drain residual liquid at the throttle lever position, which is a little bit back from full open position.
- ④ Set throttle lever at low speed, and stop the engine with the stop button.



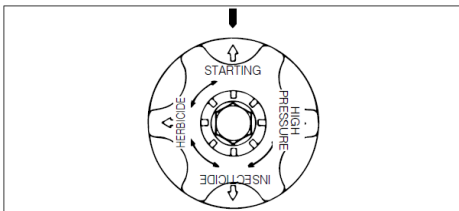
Storage

CAUTION

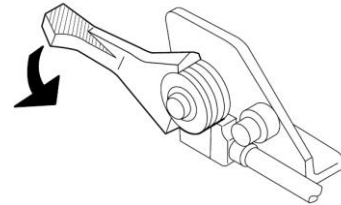
Don't leave chemicals in the chemical tank and pump. This might cause the machine to break down.

1 Remove fuel from fuel tank, and operate the machine in idling state until it stops.

2 Set pressure control valve handle to "START".



3 Move throttle lever to low-speed position.



4 After finishing the above, put the machine in a box and store it at a place free from moisture and which is well ventilated.

CAUTION

- When damage is found, store it after making repairs. In this case, use the genuine parts specified by us for all parts and consumable goods.
- Store at a place that is free from moisture, dust, and contaminants.

Trouble-shooting and actions

- When the condition of pump and engine is poor, the following can be expected.
- Where marked with ☆, request adjustment or repair at sales outlet or our sales office.

Pump

Symptom	Cause t	Treatment
No suction	(1) Loose connecting of suction hose	(1) Tighten sufficiently.
	(2) Suction hose clogged with chemicals	(2) Disassemble and clean ☆
	(3) Wear to piston packing	(3) Replace with new parts ☆
	(4) Foreign matter in valve portion	(4) Disassemble and clean ☆
Pressure cannot be increased.(poor spraying state)	(1) Wear to piston packing	(1) Replace with new one. ☆
	(2) Scratch on the inside surface of cylinder	(2) Replace with new one. ☆
	(3) Scratch on delivery valve	(3) Replace with new one. ☆
	(4) Wear to pressure control valve seat	(4) Replace with new one. ☆
	(5) Foreign material on each valve	(5) Disassemble and clean. ☆
	(6) Wear to cam handle	(6) Replace with new one. ☆
	(7) Wear to nozzle hole	(7) Replace with new one. ☆
	(8) Too high a nozzle number used	(8) Decrease number of nozzles or replace with smaller

Engine

Symptom	Cause	Treatment
Does not start	<ul style="list-style-type: none"> ▪ No fuel ▪ Fuel filter is clogged ▪ Mis-starting ▪ Bad spark plug ▪ Weak spark ▪ Poor carburetor 	<ul style="list-style-type: none"> ▪ Supply fuel. ▪ Clean ▪ Refer item "Starting engine" ▪ Replace. ☆ ▪ Replace or service coil / flywheel. ☆ ▪ Replace / service ☆
Insufficient output	<ul style="list-style-type: none"> ▪ Poor adjustment of throttle wire ▪ Clogging of air cleaner element ▪ Carbon building up at exhaust port and muffler 	<ul style="list-style-type: none"> ▪ Adjust. ☆ ▪ Clean. ▪ Clean. ☆
Excessive vibration	<ul style="list-style-type: none"> ▪ Loose part 	<ul style="list-style-type: none"> ▪ Tighten
Excessive noise	<ul style="list-style-type: none"> ▪ Loose muffler and muffler cover 	<ul style="list-style-type: none"> ▪ Tighten

5. Specification

MS076	
L × W × H(mm)	365 × 465 × 635
Dry weight(kg)	9.0
Chemical tank capacity (L)	25
Fuel tank capacity (L)	0.6
Pump	
Type	Maruyama Twin piston
Maximum pressure(MPa)	3.5
Suction (L /min)	7.5
Rotational frequency(rpm)	1930
Engine	
Model	Maruyama EE263P
Type	Forced Air Cool, 2-cycle
Displacement(mL)	25.4
Rated continuous output(kw/min-1)	0.74/7000
Fuel	Mixed gasoline(25 : 1)
Ignition system	Electronic Ignition
Ignition system	CJ6Y equivalent
Starting system	Recoil Starter (Effortless start)

The specification may be changed for product improvement, without prior notice.

Prólogo

Gracias por adquirir este producto.

Este manual de funcionamiento explica cómo se maneja correctamente el producto, y detalla las tareas básicas de revisión y mantenimiento que es preciso realizar.

Por favor, lea detenidamente este manual y asegúrese de haber entendido las instrucciones que contiene. Así, podrá mantener siempre el alto rendimiento de este producto.

Guarde el manual después de haberlo leído, y consúltelo siempre que lo necesite. Las instrucciones de mantenimiento que contiene son importantes para prolongar la vida útil del producto. Es posible que

encuentre alguna discrepancia entre los datos del manual y el producto que ha adquirido, porque nuestro compromiso con la satisfacción de nuestros clientes y la calidad de nuestros productos nos lleva a introducir constantes mejoras.

- Por favor, lea detenidamente este manual de funcionamiento.
- Si pierde este manual, compre otro en su distribuidor habitual o a través de nuestra oficina de ventas.
- La rectificación de este producto es peligrosa, e incide negativamente sobre comodidad del manejo y la seguridad.

Finalidad de uso

Este producto se puede utilizar para las siguientes tareas agrícolas. Evite utilizarlo para cualquier finalidad distinta de las que figuran a continuación.

- 1) Pulverización de productos químicos contra plagas e insectos dañinos sobre cualquier tipo de cosechas.
- 2) Pulverización de productos químicos contra plagas e insectos dañinos sobre árboles frutales.
- 3) Pulverización de productos químicos contra plagas e insectos dañinos en cultivos de invernadero.
- 4) Pulverización de productos químicos contra plagas e insectos dañinos sobre flores.
- 5) Pulverización de desinfectantes o insecticidas en establos y gallineros.

- 6) Pulverización de productos químicos disueltos en agua sobre árboles de jardín, setos y praderas.
- 7) Pulverización de desinfectantes o insecticidas en zonas urbanas.
- 8) Pulverización de productos químicos contra plagas e insectos dañinos en macizos de flores y parques.
- 9) Pulverización de herbicidas para el control de malas hierbas.
- 10) Pulverización de agua para limpiar verduras o tubérculos.

Durante el transporte en automóvil, asegure bien la máquina para evitar que se caiga o se desplace.

Advertencias

En este manual, las precauciones imprescindibles para manejar el producto se indican como sigue:



PELIGRO

Riesgo de lesiones mortales o graves si no se tiene en cuenta esta advertencia.



ATENCIÓN

Posible riesgo de lesiones mortales o graves si no se tiene en cuenta esta advertencia.



PRECAUCIÓN

Riesgo de lesiones graves si no se tiene en cuenta esta advertencia.

PRECAUCIÓN

Posibles daños en la máquina si no se tiene en cuenta esta advertencia.

Índice

1. Para trabajar con seguridad_____15	Cómo quitar o montar el colador_____19
Precauciones antes de empezar_____15	Puesta en marcha_____20
Símbolos de advertencia_____15	Funcionamiento y parada_____22
Precauciones durante el manejo de este producto_16	4. Limpieza, mantenimiento y almacenaje__24
2. Nombre y función de las piezas_____17	Limpieza, mantenimiento y drenaje_____24
3. Modo de empleo y montaje_____18	Almacenamiento_____25
Montaje de la boquilla y la correa del cinturón____18	Resolución de problemas y acciones____25
Lubricación y proporción de aceite_____19	5. Especificación_____25

1. Para trabajar con seguridad

Precauciones antes de empezar

Quiénes no pueden hacer trabajos de pulverización:

- Las personas que no deben realizar tareas normales de pulverización por estar lesionadas, o sufrir asma o malestar por efecto de los productos químicos.
- Las personas que estén bajo la influencia del alcohol
- Las mujeres embarazadas
- Las personas que no conozcan los detalles del funcionamiento y seguridad
- Los niños en general

Es preciso utilizar ropa de trabajo adecuada



- Compruebe, utilice y repare adecuadamente la ropa que utilice para trabajar y el equipo de protección, de manera que cumpla su función en todo momento.
- Cuando preste esta máquina a otra persona, o emplee a alguien para utilizarla, explique previamente el modo de funcionamiento, y el significado de cada una de las etiquetas de advertencia (con el símbolo de las precauciones de seguridad:

⚠ Símbolos de advertencia

- Limpie siempre las etiquetas para mantener visibles las advertencias.
- A continuación se describe el significado de las etiquetas de advertencia.

Etiquetas de advertencia



Lea detenidamente el manual de funcionamiento
Es imprescindible haber leído y comprendido el manual antes de utilizar el fumigador.



Utilice equipo de protección
Durante el trabajo, protéjase siempre la cabeza y utilice tapones para los oídos y gafas de seguridad.



Alta temperatura
Los componentes del motor (silenciador, culata, etc.) pueden alcanzar temperaturas muy elevadas, tenga cuidado de no quemarse.



Peligro de incendio
Evite la proximidad de cualquier tipo de llama cuando reposte combustible o realice tareas de mantenimiento.



Inhalación de gases tóxicos
Tenga cuidado de no inhalar los gases de escape del motor.

Precauciones durante el manejo de este producto

Productos químicos

- Lea cuidadosamente las etiquetas de los productos químicos y asegúrese de haber comprendido el modo de empleo y las precauciones. Si se equivoca con la proporción de producto por superficie, o con el tipo de producto químico, puede perjudicar gravemente las cosechas y el medio ambiente.
- Guarde los productos químicos en un lugar seguro, y tenga cuidado de que no se derramen durante el transporte.
- Maneje correctamente los envases para garantizar la seguridad.
- Tenga cuidado cuando manipule productos químicos. Aclare inmediatamente con agua en caso de contacto con los ojos o la boca.
- Si siente malestar, acuda inmediatamente a un médico.
- Tenga en cuenta la dirección del viento y cambie el método de pulverización para proteger a los trabajadores y las casas. Cuando pulverice productos químicos, trabaje siempre en la dirección del viento. Evite que los productos afecten a otras cosechas, o que se acumulen en lugares cerrados, criaderos de peces, y viviendas.
- Cuando trabaje en invernaderos tenga cuidado con la ventilación.
- Vacíe completamente el depósito y limpie los restos de productos químicos.



PRECAUCIÓN

- No utilice esta máquina cuando haya otras personas, especialmente niños, en las proximidades.
- Cuando el depósito está completamente lleno, aumenta bastante el peso de la máquina; tenga cuidado de no dañarse la espalda.
- Cuando lleve la máquina a la espalda, adopte una postura que sea segura para trabajar, y nunca trabaje desde lugares elevados, como sillas o escaleras.

Combustible



PELIGRO

- Evite la proximidad de cualquier tipo de llama cuando reposte combustible o realice tareas de mantenimiento.
- Detenga siempre el motor, y espere a que se enfríe antes de repostar combustible. Limpie cuidadosamente las salpicaduras de combustible.
- Nunca utilice gasolina sin mezclar con aceite.

PRECAUCIÓN

Utilice aceite multigrado para motores de dos tiempos

Gasolina : Aceite para motores de dos tiempos
25 : 1

MOTOR



PRECAUCIÓN

- El motor alcanza temperaturas muy elevadas durante el funcionamiento, y sigue caliente después de pararlo. Evite tocar el silenciador, el bloque del cilindro, etc.
- Cuando arranque el motor, compruebe que la llave de paso está bien cerrada para impedir que una rociada repentina cause una explosión.
- No toque la bujía mientras el motor esté en funcionamiento. Puede recibir una descarga eléctrica.
- No ponga el motor en marcha en lugares cerrados. Existe riesgo de envenenamiento por inhalación de monóxido de carbono.
- Evite inhalar los gases de escape del motor.



ATENCIÓN

Arrancador de retroceso



PRECAUCIÓN

- Existe peligro al desarmar el arrancador de retroceso. No lo desarme. Póngase en contacto con la oficina de ventas para su reparación.
- No jale de la cuerda de arranque con fuerza. Es posible que se produzca una falla si no se la usa correctamente.

PRECAUCIÓN

BOMBA

- Los productos químicos salen a alta presión por la boquilla. Nunca dirija el pulverizador hacia otras personas.

Comprobaciones antes de empezar a trabajar

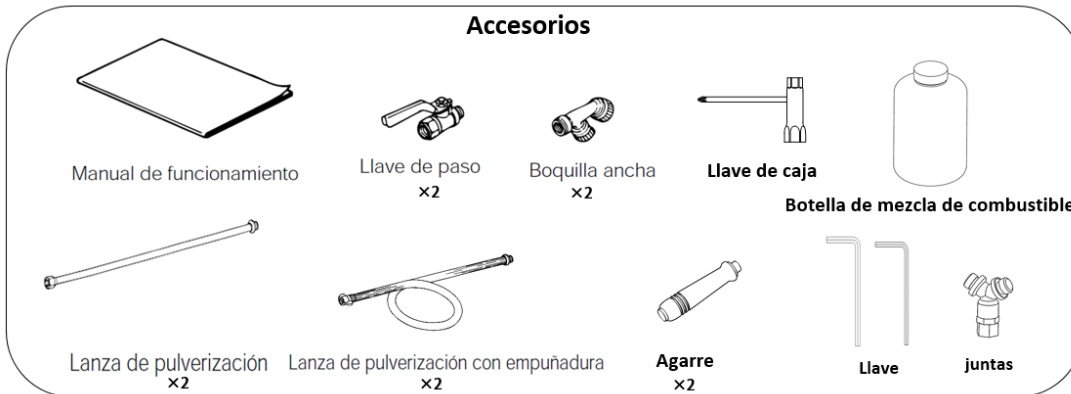
PRECAUCIÓN

- Compruebe si los tornillos de todos los componentes están bien apretados.
- Los tornillos flojos pueden provocar accidentes.
- Ajuste la longitud de las correas a su medida.

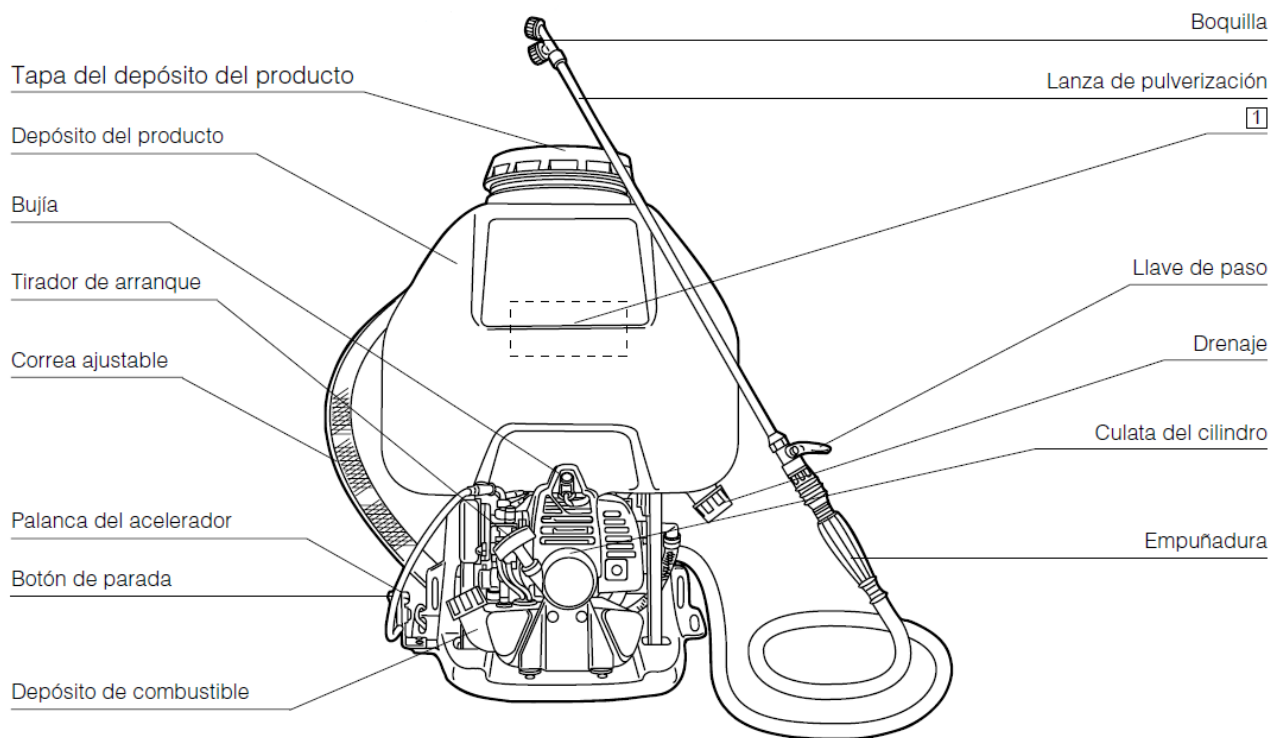
2. Nombre y función de las piezas

Lista de piezas estándar

Cuando abra el paquete, compruebe si están presentes todas las piezas y accesorios. Si algún accesorio aparece dañado, o no está, consulte con el distribuidor del producto.



Nombre y función de las piezas



1

PRECAUCION

1. Lea el manual de funcionamiento detenidamente.
2. No opere el equipo cuando el tanque químico está vacío.
3. Utilice el colador para llenar el tanque con la mezcla química.
4. Lave el interior de la bomba después de cada uso al final del día con agua limpia para que los residuos químicos sean expulsados por la manguera y el tapón de drenado. Después de limpiar la bomba repita la operación con agua limpia.
5. Para almacenaje a largo plazo, vacíe toda el agua del tanque, bomba, manguera y boquilla. Guarde en un lugar seco, fresco y oscuro. Manténgalo alejado de bajas temperaturas ya que el hielo pueden dañar la bomba.

CAUTION

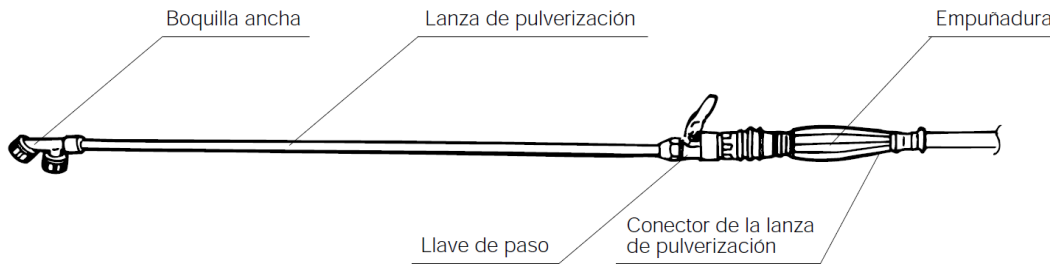
1. Read Operator's Manual carefully.
2. Do not operate when the tank is empty.
3. Use the strainer to fill the tank with chemical liquid.
4. Wash up inside pump after every day's spraying job by pumping fresh water so that residual chemicals are drain out through nozzle and drain hole. After cleaning drain out remaining water completely.
5. For the long term storage, drain all water out of the tank, pump, hose and nozzle. Store in a dry, cool, and dark place. The equipment must be free from freezing as freeze may break pump.

563054

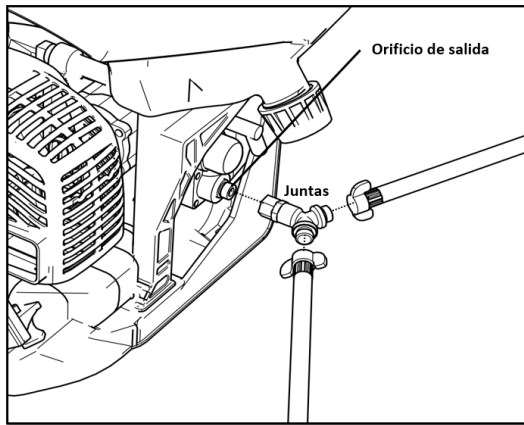
3. Modo de empleo y montaje

Montaje de la boquilla y la correa del cinturón

Montaje de la boquilla



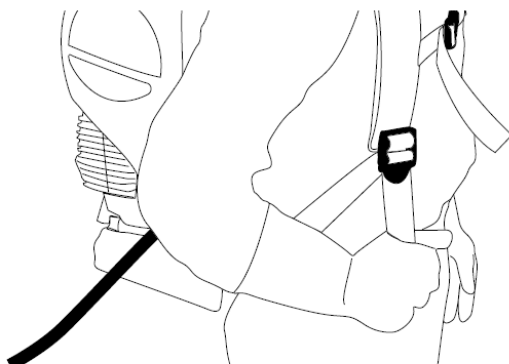
Antes de montar la boquilla, compruebe que las juntas se encuentran en su lugar. Coloque la boquilla en la lanza y conecte ésta a la empuñadura, asegurándose de la firmeza de la conexión. Compruebe la posición de las juntas antes de apretar el tornillo. Si aprieta demasiado el tornillo, puede pasarlo de rosca o romper la junta. Es importante aplicar el par torsión adecuado.



Conecte un accesorio a la abertura de descarga del pulverizador y conecte las mangueras al accesorio.

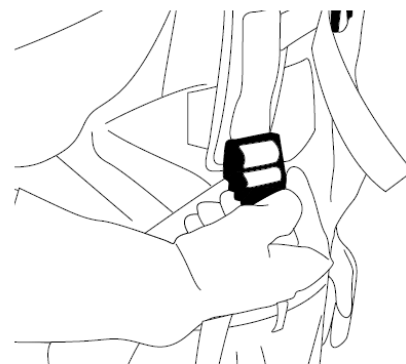
Ajuste de la correa de la mochila

1. Ajuste la correa.



Jale de la correa hacia abajo

2. Afloje la correa



Para aflojar, jale hacia arriba la correa que pasa por la hebilla.

Lubricación y proporción de aceite

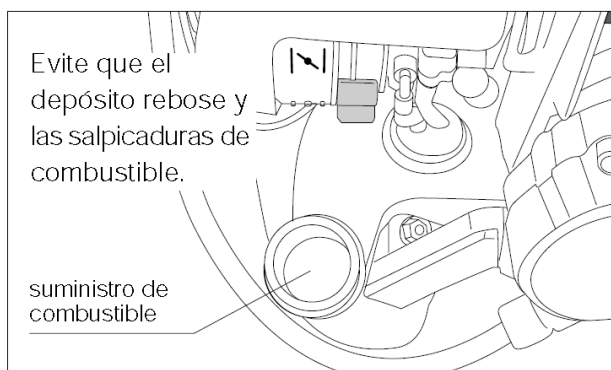
Proporción de aceite

Utilice exclusivamente gasolina mezclada con aceite

Gasolina : Aceite para motores de 2 tiempos

25 : 1

Utilice únicamente lubricante para motores de dos tiempos



PELIGRO

Existe el riesgo de que el combustible se inflame. Recuerde siempre lo siguiente:

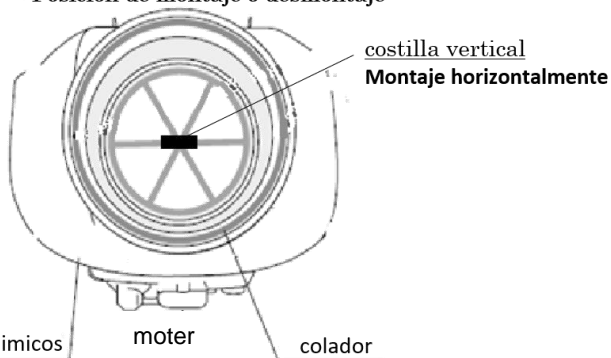
- Cuando vaya a repostar combustible, detenga el motor, y compruebe que no existe ninguna fuente de ignición (cigarrillos, etc.) en las proximidades.
- Evite derramar el combustible. Limpie cuidadosamente cualquier salpicadura y arranque el motor sólo cuando esté bien seco.
- No llene demasiado el depósito de combustible. Puede haber fugas si sobrepasa la marca de nivel.
- Si detecta una fuga de combustible, no utilice la máquina hasta que esté reparada.
- Después de repostar combustible, compruebe que el tapón del depósito está bien cerrado.

PRECAUCIÓN

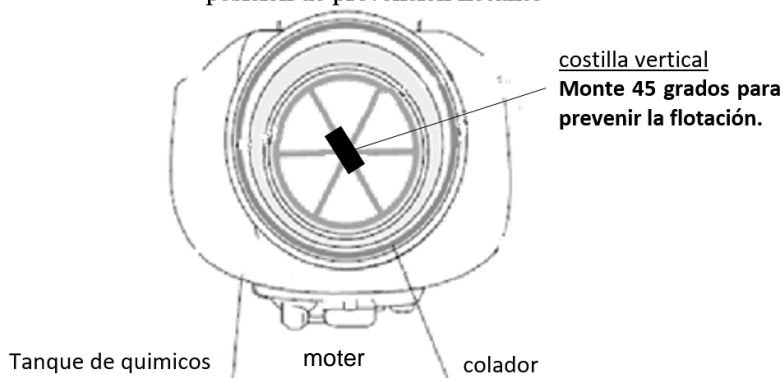
- Si utiliza la máquina con gasolina pura, se ahogará el motor. Asegúrese de añadir siempre la proporción adecuada de lubricante para motores de dos tiempos.
- La proporción de la mezcla tiene que ser la indicada específicamente para motores de dos tiempos.
- Utilice como combustible gasolina sin plomo para automóviles.

Cómo quitar o montar el colador

< Posición de montaje o desmontaje >

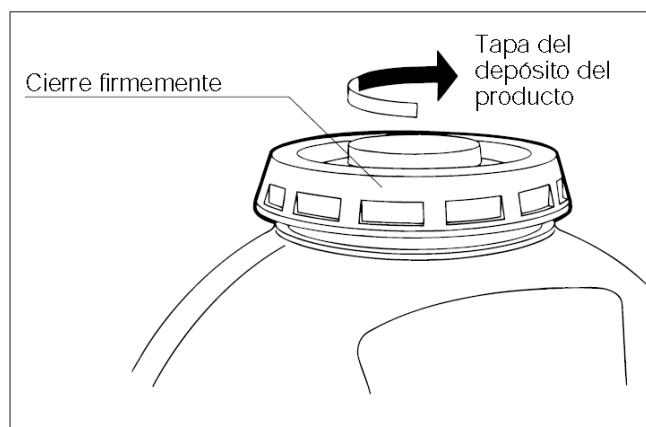


< posición de prevención flotante >



Disolución de los productos químicos

- Lea cuidadosamente las instrucciones del producto que vaya a utilizar y atégase a ellas tomando todas las precauciones.



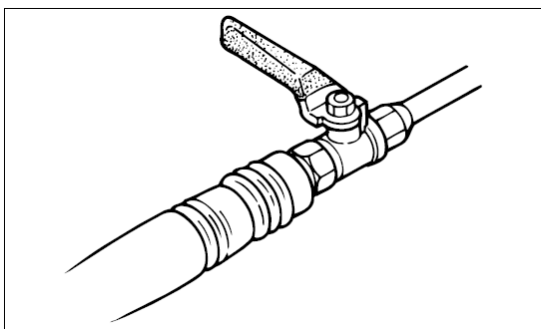
- Compruebe la presencia de la junta de la tapa del depósito del producto, y apriete firmemente la tapa. De lo contrario, el producto se derramará sobre la persona que lleve la máquina a la espalda.

Puesta en marcha

Arrancar el motor

PRECAUCIÓN

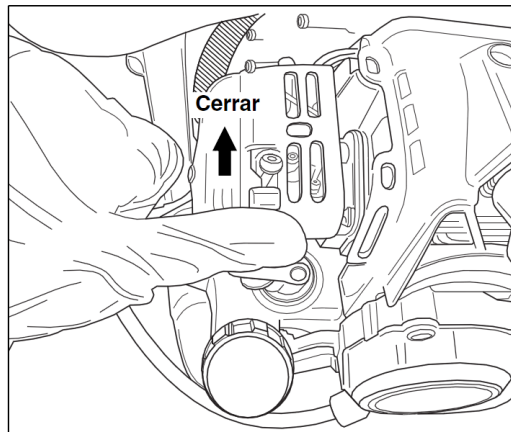
- Antes de arrancar el motor, recuerde que el depósito del producto debe contener algún líquido (agua o productos químicos). De lo contrario provocará una avería en la bomba.
- Es confirmado que la llave de paso ha cerrado antes empieza.



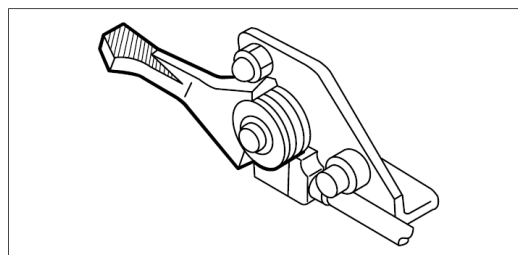
- 1** Bombear combustible en el carburador. El cebador está situado delante del carburador. (detrás en los modelos con batería). Presione lentamente varias veces y compruebe que el combustible circula a través de la bomba y vuelve al depósito.



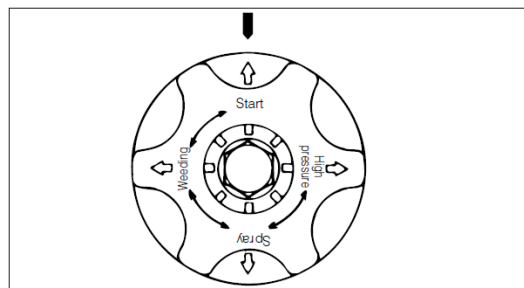
- 2** Cierre completamente el estrangulador (durante los meses cálidos y cuando el motor esté caliente, el estrangulador tiene que estar total o parcialmente abierto).



- 3** Mueva la palanca del acelerador hasta la posición de velocidad media y baja.



- 4** Sitúe el selector de la válvula de control de presión en posición "Start" (arranque).



5

Arranque el motor.

Para arrancar el motor, tire lentamente del cordón de arranque un par de veces, y después tire con fuerza.

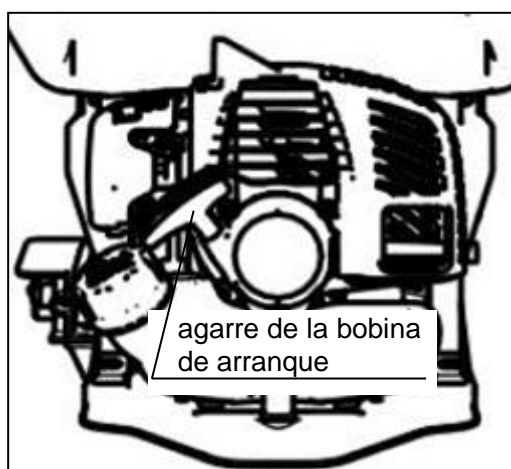
Modo de tirar del cordón de arranque

1. Con la mano derecha, agarre fuerte la manilla de arranque.
2. Sujete el depósito del producto con la mano izquierda.
3. Tire lentamente del cordón de arranque hasta notar resistencia.
5. No tire del cordón de arranque hasta el final.
6. Sin soltar el cordón de arranque, permita que vuelva a enroscarse gradualmente.

PRECAUCIÓN

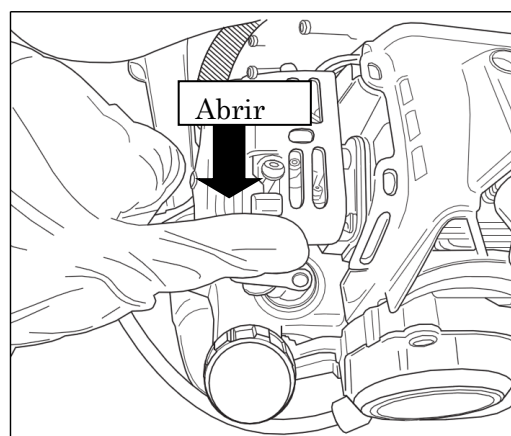
Si el motor no arranca después de varios intentos, abra completamente el estrangulador e inténtelo de nuevo.

※ Si el motor tampoco arranca de este modo, consulte la página 26.



6

Cierre despacio el estrangulador



PRECAUCIÓN

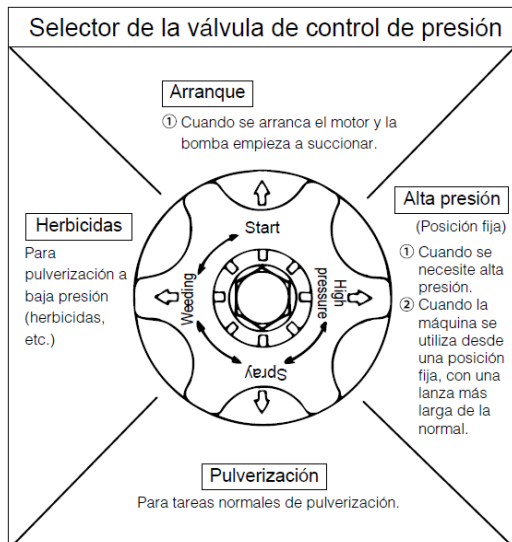
- Si acciona repetidas veces el estrangulador para arrancar, el exceso de combustible "ahogará" el motor impidiendo que arranque. Es preferible abrir completamente el estrangulador antes de arrancar.
- Después de arrancar el motor, acelere y reduzca las revoluciones del mismo varias veces y con rapidez.
- Esta operación sirve para purgar el aire del carburador. El aire retenido en el carburador impide una buena aceleración y puede hacer que se cale el motor.
- Llene el depósito de combustible antes de utilizar la máquina. De este modo podrá arrancar el motor con mayor facilidad.

Funcionamiento y parada

Funcionamiento

1

Gire el selector de la válvula de control de presión hasta la posición "Weeding" (presión suficiente para trabajar con herbicidas).



2

Después de comprobar que la presión de trabajo es la adecuada y que la máquina funciona correctamente, acelere hasta la máxima velocidad.

PRECAUCIÓN

- Al girar el selector de la válvula de control de presión desde la posición "high pressure" hasta la posición "spray", o "weeding" con el acelerador al máximo, las revoluciones del motor aumentan cuando se reduce la presión.
- No acelere al máximo cuando trabaje en las posiciones "weeding" y "spray".
- No haga funcionar la máquina en vacío, excepto para drenar el depósito. De lo contrario se puede dañar la junta del pistón.

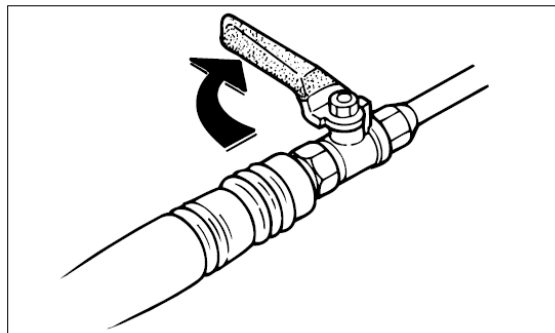
3

Al abrir la llave de paso, el producto del depósito sale pulverizado a través de la boquilla.

Parada

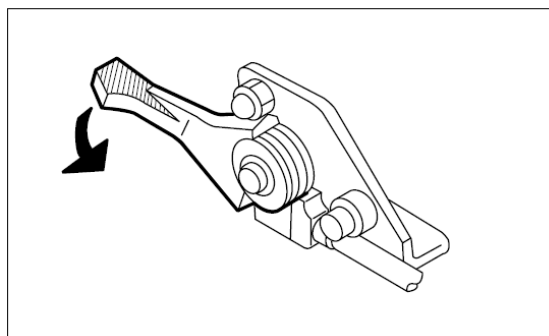
1

Cierre la llave de paso.



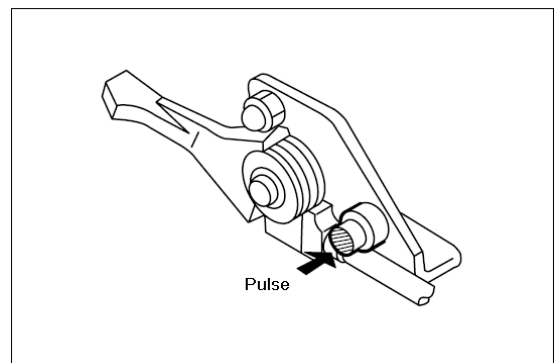
2

Reduzca al mínimo la velocidad del motor moviendo la palanca del acelerador.



3

Detenga el motor pulsando el botón de parada.

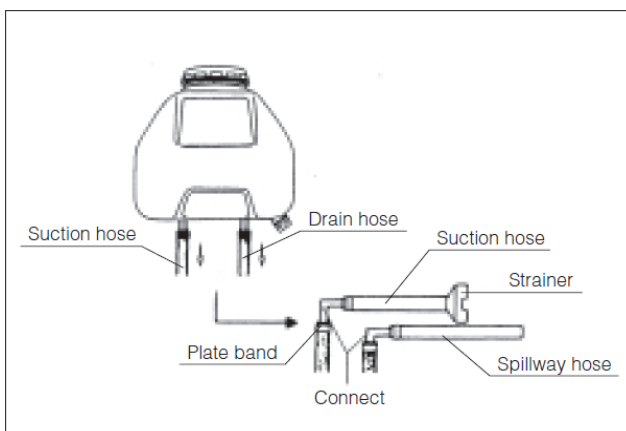


Uso desde una posición fija, sustitución de la boquilla y parada.

Uso desde una posición fija

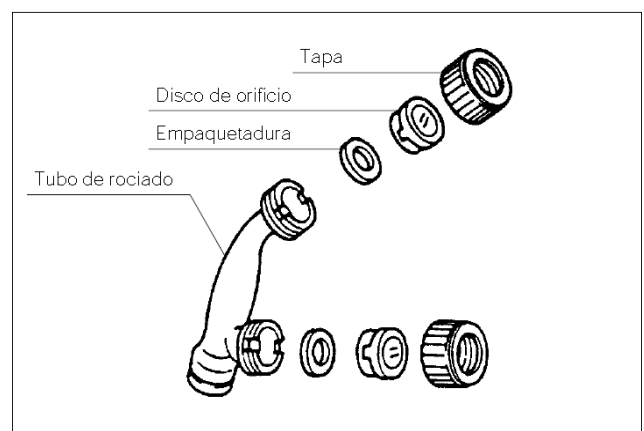
Método de conexión del tubo flexible para utilizar la máquina con un depósito independiente desde una posición fija (el tubo de succión y el filtro son accesorios opcionales).

- (1) Retire el tubo de succión y el tubo de drenaje del depósito.
- (2) Empalme los tubos con los respectivos conectores, y asegúrelos con cinta galvanizada.



Boquillas de recambio

- (1) Boquilla redonda 25 (accesorio opcional)
Boquilla especial para pulverización de herbicidas
- (2) Difusor C6 (accesorio opcional)
 - a. Con el difusor C-6 el volumen de líquido pulverizado es 1,5 veces mayor, en comparación con la boquilla estándar.
 - b. Estos accesorios están especialmente indicados para grandes volúmenes de pulverización, y pulverización a baja presión.
 - c. El difusor C-6 se instala sobre la boquilla estándar (C-35).
 - d. Para cambiar la boquilla, o instalar el difusor, afloje el tornillo que sujeta la tapa roscada de la boquilla. Antes de cambiar la boquilla, detenga siempre la máquina y cierre la llave de paso.



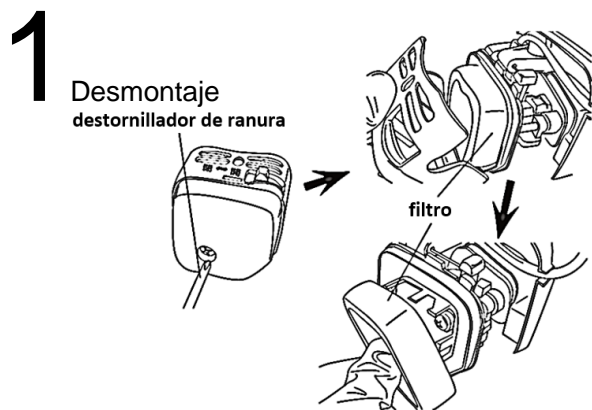
4. Limpieza, mantenimiento y almacenaje

Limpieza, mantenimiento y drenaje

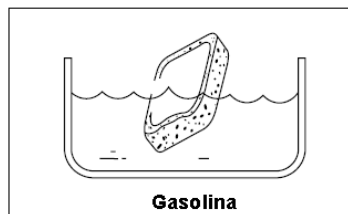
Detenga siempre la máquina antes de iniciar cualquier tarea de limpieza, revisión o mantenimiento.

Revisión y mantenimiento durante todo el año

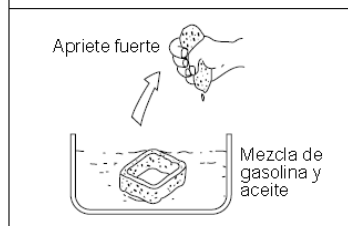
- Limpie el filtro a intervalos regulares. Las partículas acumuladas pueden obstruir el filtro, provocando dificultades en el arranque y pérdida de potencia.
- Limpieza: sumerja el filtro en la mezcla de gasolina y aceite que utilice normalmente, escúrralo apretando fuerte con la mano y vuelva a instalarlo.



2 Inmersión

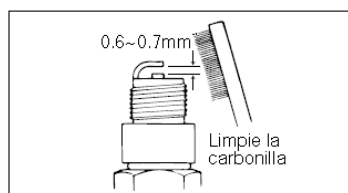


3 Apriete fuerte



Limpieza de la bujía

- Limpie la carbonilla con un cepillo y ajuste la distancia entre los electrodos: 0,6– 0,7 mm



Bomba

Compruebe el desgaste de la junta del pistón y la junta de la bomba. Sustituya las juntas si están gastadas.

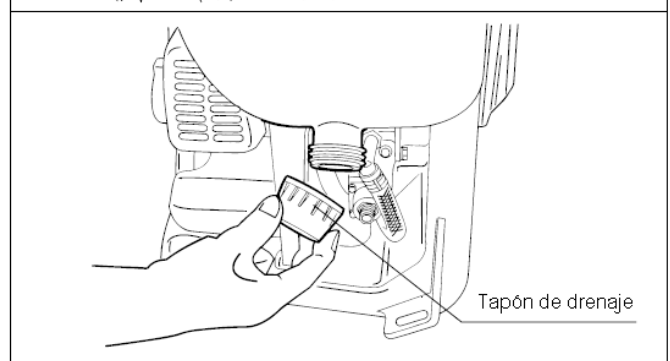
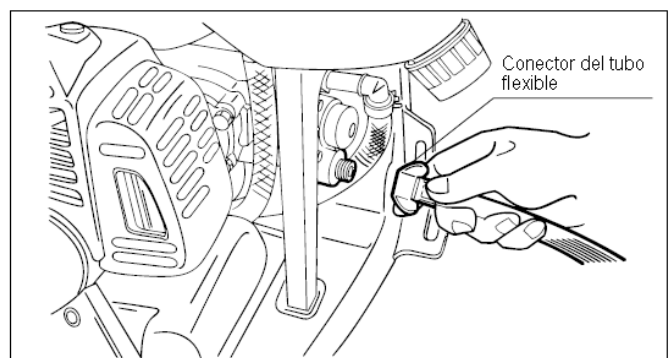
- ✘ Consulte con su distribuidor habitual o con nuestra oficina de ventas si necesita desmontar o reparar la bomba.

Drenaje

PRECAUCIÓN

Asegúrese de vaciar completamente la máquina. De lo contrario, en invierno la bomba puede dañarse si se congela el líquido en su interior.

- ① Retire el tapón de drenaje del depósito y el conector del manguito de la bomba para extraer completamente el líquido.
- ② Llene de agua el depósito del producto, arranque el motor, y pulverice desde la boquilla para limpiar la bomba y el interior de la lanza.
- ③ Mantenga la máquina en funcionamiento durante 15 ó 20 segundos a una velocidad un punto inferior a la máxima.
- ④ Reduzca al mínimo la velocidad del motor y detenga la máquina con el botón de parada.



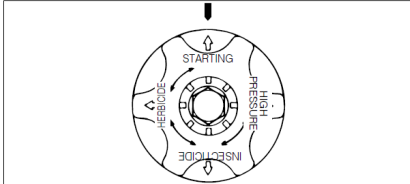
Almacenamiento

⚠ PRECAUCIÓN

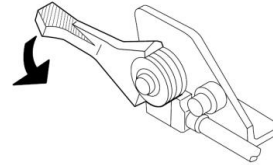
No deje el producto químico almacenado en el tanque y en la bomba. Esto podría hacer que el equipo se averíe.

1 Retire el combustible del tanque y haga funcionar el equipo vacío hasta que se apague.

2 Coloque la manija de la válvula reguladora de presión en "START".



3 Lleve la palanca del acelerador a la posición de baja velocidad.



4 Una vez realizados los pasos anteriores, coloque el equipo en su caja y guárdela en un lugar libre de humedad y bien ventilado.

PRECAUCIÓN

- En caso de haber descubierto algún daño, guárdela después de haberla reparado. En este caso, utilice repuestos originales especificados para todas las piezas y consumibles.
- Guárdela en un lugar que no presente humedad, polvo y contaminantes.

Resolución de problemas y acciones

- Cuando el estado de la bomba y del motor no es el adecuado, puede suceder lo siguiente.
- Cuando aparece la marca ☆ solicite ajuste o reparación en la sucursal o en nuestra oficina de ventas.

Bomba

Síntoma	Causa	Tratamiento
Falta de succión	(1) Conexión floja en la manguera de succión (2) Manguera de succión obstruida con el producto químico. (3) Desgaste en la empaquetadura del pistón. (4) Materia extraña en la porción de la válvula.	(1) Ajustar de manera adecuada. (2) Desarmar y limpiar. ☆ (3) Reemplazar con nuevas piezas. ☆ (4) Desarmar y limpiar. ☆
No es posible aumentar la presión (baja capacidad de rociado)	(1) Desgaste en la empaquetadura del pistón. (2) Daños en la superficie interna del cilindro. (3) Daños en la válvula de descarga. (4) Desgaste del asiento de la válvula reguladora de presión. (5) Materia extraña en cada válvula. (6) Desgaste en la manija de la leva. (7) Desgaste en la perforación de la boquilla. (8) Demasiadas boquillas en uso.	(1) Sustituir por nuevas piezas. ☆ (2) Sustituir por una nueva pieza. ☆ (3) Sustituir por una nueva pieza. ☆ (4) Sustituir por una nueva pieza. ☆ (5) Desarmar y limpiar. ☆ (6) Sustituir por una nueva pieza. ☆ (7) Sustituir por una nueva pieza. ☆ (8) Reducir el número de boquillas o reemplazar por una de menor diámetro.

Motor

Síntoma	Causa	Tratamiento
No se pone en funcionamiento	<ul style="list-style-type: none"> ▪ Falta de combustible ▪ Obstrucción en el filtro de combustible. ▪ Error al ponerse en funcionamiento. ▪ Bujía en malas condiciones. ▪ Bujía débil. ▪ Carburador en malas condiciones. 	<ul style="list-style-type: none"> ▪ Agregar combustible. ▪ Limpiar ▪ Consultar : "Encendido del motor" ▪ Reemplazar. ☆ ▪ Reemplazar o realizar un servicio de la bobina/volante del motor. ☆ ▪ Reemplazar/realizar un servicio. ☆
Salida insuficiente	<ul style="list-style-type: none"> ▪ Ajuste inadecuado del cable del acelerador. ▪ Obstrucción del elemento del filtro de aire. ▪ Acumulación de carbón en el escape y en el silenciador. 	<ul style="list-style-type: none"> ▪ Ajustar. ☆ ▪ Limpiar ▪ Limpiar ☆
Vibración excesiva	<ul style="list-style-type: none"> ▪ Pieza suelta. 	<ul style="list-style-type: none"> ▪ Ajustar
Aumento del ruido del motor	<ul style="list-style-type: none"> ▪ El silenciador y la tapa del silenciador están sueltos. 	<ul style="list-style-type: none"> ▪ Ajustar

5. Especificación

MS076	
L × A × A(mm)	365 × 465 × 635
Peso en seco(kg)	9.0
Capacidad del tanque para el producto químico (L)	25
Capacidad del tanque de combustible (L)	0.6
Bomba	
Tipo	Maruyama dos cilindros
Presión máxima (MPa)	3.5
Succión (L /min)	7.5
Frecuencia de rotación (rpm)	1930
Motor	
Modelo	Maruyama EE263P
Tipo	De 2 tiempos con enfriamiento de aire forzado.
Desplazamiento (mL)	25.4
Salida continua clasificada (kw/min-1)	0.74/7000
Combustible	Gasolina mezcla(25 : 1)
Sistema de ignición	Ignición electrónica
Bujía	CJ6Y equivalente
Sistema de encendido	Arrancador de retroceso (Encendido sin esfuerzo)

La especificación puede cambiar sin previo aviso si se realizan mejoras en el producto.



MARUYAMA MFG. CO., INC.

4-15, Uchikanda 3-chome, Chiyoda-ku, Tokyo TEL 81-3-3252-2285 <http://www.maruyama.co.jp>