

PARTS LIST

MS075D-TL

CONTENTS

1. MAIN BODY	1 ~ 2
2. CHEMICAL TANK	3 ~ 4
3. POWER SPRAYER.....	5 ~ 8
4. REDUCTION GEAR.....	9 ~ 10
5. ENGINE.....	11 ~ 14
6. CARBURETOR, FUEL TANK.....	15 ~ 16
7. ACCESSORIES	17 ~ 18

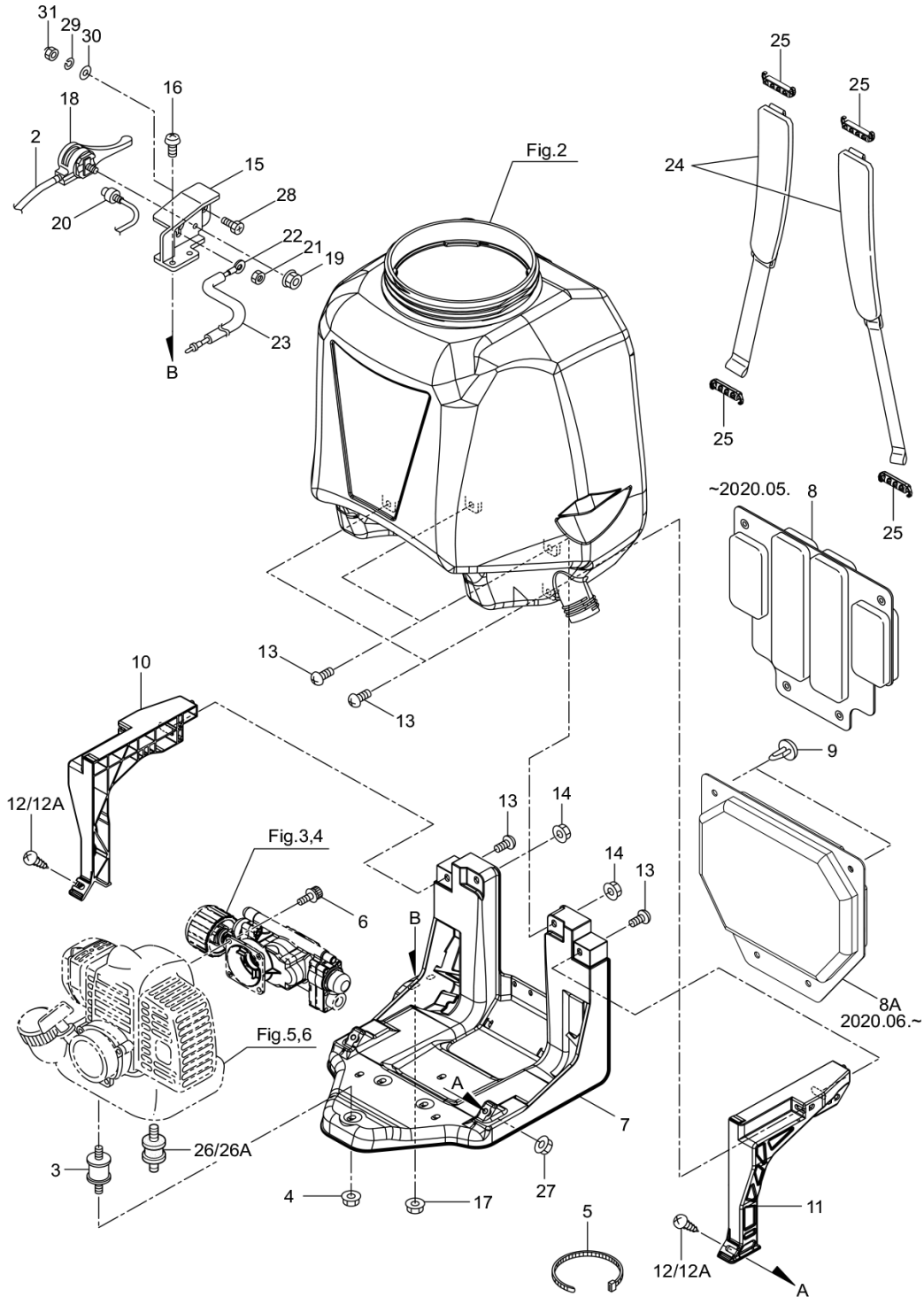
2019.06.



MARUYAMA

P/N 524838

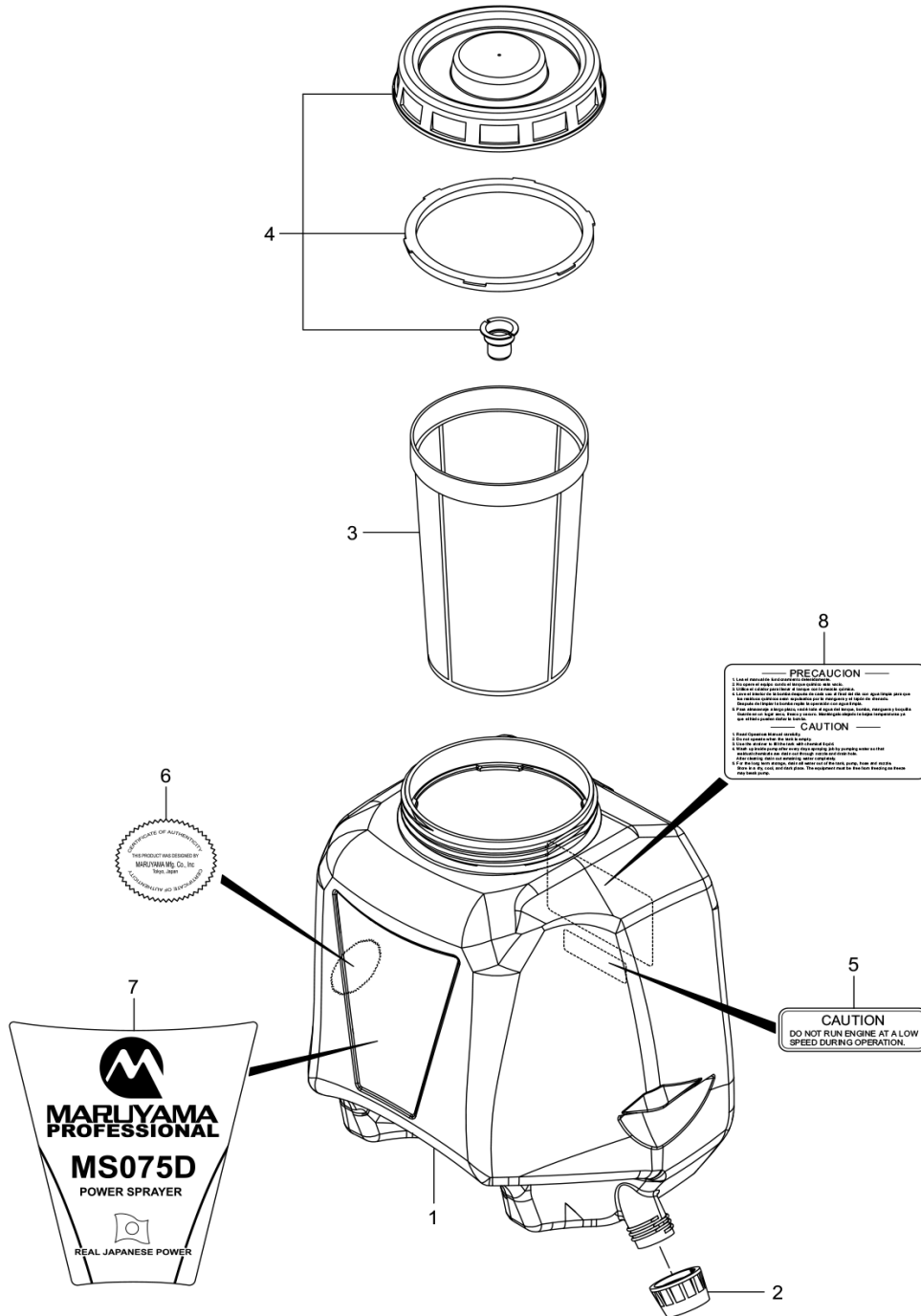
1. MS075D-TL
MAIN BODY



- 1 -

Status	Position	Parts Number	Parts Name	Unit Quantity	Set Unit Quantity	Specification	Remarks	Maker code
	1	366552	MS075D-TL(TH)	1				
	2	272214	THROTTLE CABLE	1		OUT320/IN87		
	3	109246	BUFFER	2		25-M6X14X8.5		
	4	127228	NUT	3	10	M6(サカネイ18)	M6	
	5	685048	BAND	1		CV-150B(クワ)	CV-150B	
	6	126178	CAP SCREW	4	5	M5X15	M5x15	
	7	566488	BASE	1				
	8	566492	PAD	1		クワ	~2020.05.	
	8A	566890		1		クワ	2020.06.~	
	9	100749	FASTNER	2	5	ヨビ 7	#7	
	10	566490	STAY L	1		アオ		
	11	566491	STAY R	1		アオ		
	12	131515	TAPPING SCREW	2		トラス2シユ 6X20	M6x20 ~2019.12	
	12A	566333		2		M6X35	M6x35 2020.01.~	
	13	127221	SCREW	6	5	M6X16	M6x16	
	14	126756	FLANGE NUT	2	5	M6	M6	
	15	121859	STAY	1				
	16	081415	SCREW	2	10	M5X0.8X16	M5x16	
	17	127226	FLANGE NUT	2	10	M5	M5	
	18	115148	THROTTLE LEVER	1		トウヨウサンギ ヨウ		
	19	127226	FLANGE NUT	1	10	M5	M5	
	20	275414	STOP SWITCH ASSY	1		320SPHCAHカハ		
	21	084003	HEX NUT	1	5	M8X1コガタカク3 シユ	M8x1	
	22	114896	EARTH CORD	1		AV0.5X320L M8		
	23	114901	VINYL HOSE	1		8X9X220(クワ)	8x9x220L	
	24	566496	KNAPSACK BAND ASSY	1				
	25	660404	PIN	4				
	26	109246	BUFFER	1		25-M6X14X8.5	25-M6x14x8.5 ~2020.03.	
	26A	104706	BUFFER	1		20-M6X10X6	20-M6x10x6 2020.04.~	
	27	126756	FLANGE NUT	2	5	M6	M6 2020.01.~	
	28	089747	BOLT	1	10	M6X12	M6x12 2020.06.~	
	29	126568	SPRING WASHER	1	5	M6 2コウ	M6 2020.06.~	
	30	126572	WASHER	1	10	M6 コガタマル	M6 2020.06.~	
	31	089750	HEXAGON NUT	1	10	M6 3カク	M6 2020.06.~	

2. MS075D-TL
CHEMICAL TANK

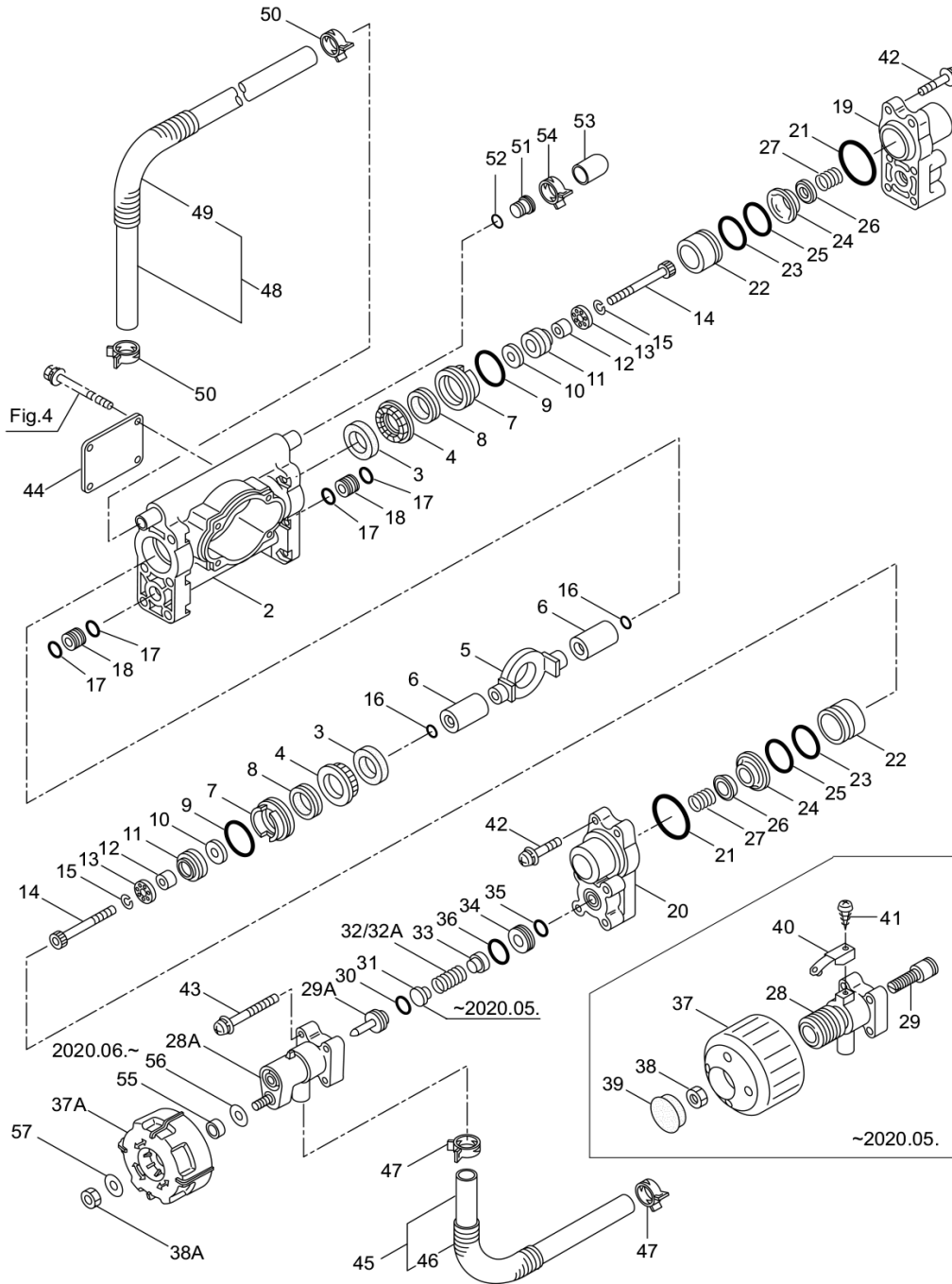


- 3 -

Status	Position	Parts Number	Parts Name	Unit Quantity	Set Unit Quantity	Specification	Remarks	Maker code
				1				

Status	Position	Parts Number	Parts Name	Unit Quantity	Set Unit Quantity	Specification	Remarks	Maker code
	1	566484	CHEMICAL TANK	1				
	2	566486	CAP	1				
	3	566493	STRAINER	1		ｼﾞﾂ		
	4	566494	TAPA TANQUE QUIMICO MS075D	1				
	5	566106	LABEL	1		CAUTION	Caution	
	6	566846		1				
	7	566840		1		MS075D	MS075D	
	8	563054	LABEL	1		ﾌﾞﾛｯｸ ﾏｸ ﾍﾞ ﾂ		

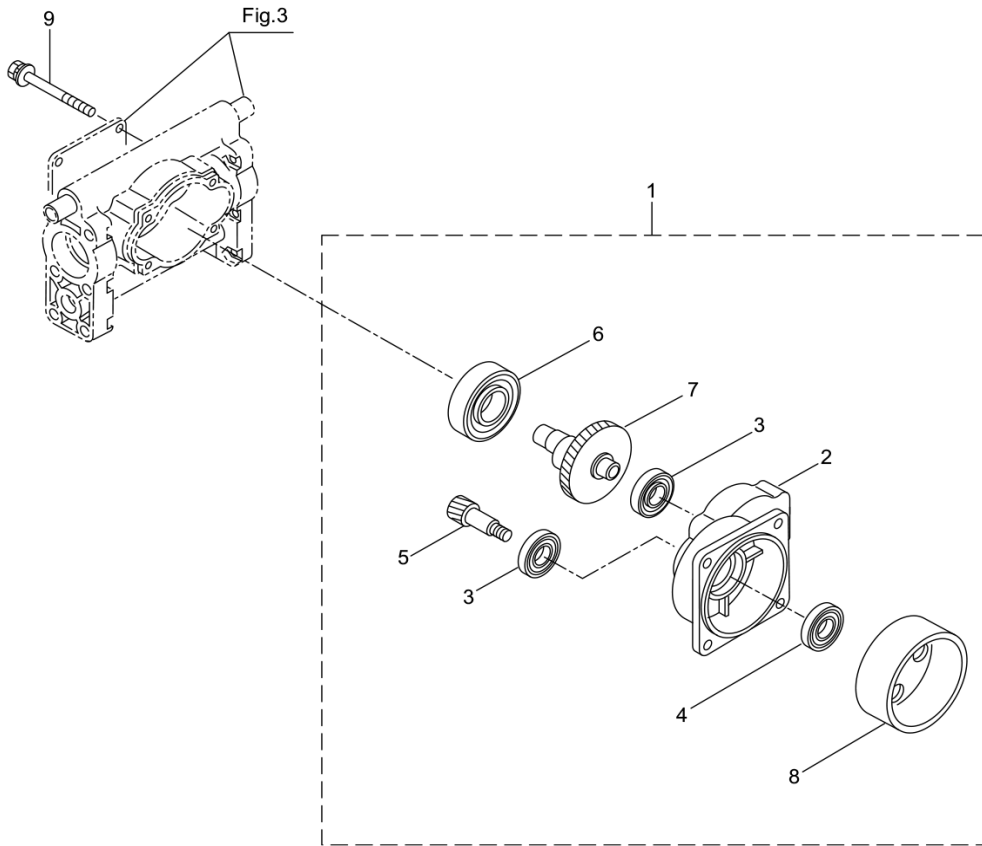
3. MS075D-TL POWER SPRAYER



Status	Position	Parts Number	Parts Name	Unit Quantity	Set Unit Quantity	Specification	Remarks	Maker code
	1	566839		1		277147		
	2	125673	CRANKCASE ASSY	1		MS059		
	3	102683	OIL SEAL	2		G16244	G16244	
	4	106190	COLLAR	2	5	クワトクシ		
	5	121179	CONNECTING ROD	1		M5		
	6	125680	SLEEVE	2		16X32	16x33	
	7	102358	SEAL RETAINER	2		ナチヨル		
	8	112252	PACKING	2				
	9	013977	O-RING	2	5	S26	S26	
	10	043426	SUCTION VALVE SEAT	2		5X17X2.8	5x17x2.8	
	11	100441	PISTON PACKING ASSY	2		20.5	20.5	
	12	023357	SUCTION MACHINED DISC COLLAR	2		5X8X10	5x8x10L	
	13	022023	SUCTION MACHINED DISC STOPPER	2		5X16X3	5x16xt3	
	14	125681	CAP SCREW	2	5	M5X50X22	M5x50x22	
	15	015848	SPRING WASHER	2	5	M5 2コウ	M5	
	16	021549	O-RING	2	5	P5	P5	
	17	014175	O-RING	4	5	P9	P9	
	18	100554	SPACER PIPE	2		6X12X10	6x12x10	
	19	103128	CYLINDER HEAD A	1				
	20	102634	CYLINDER HEAD B	1				
	21	013983	O-RING	2	5	S31.5	S31.5	
	22	125682	CYLINDER PIPE	2		20X26X22ミツナ シ	20x26x22	
	23	023172	O-RING	2	5	P22	P22	
	24	125683	VALVE SEAT	2				
	25	103575	O-RING	2	5	23X1.5	23x1.5	
	26	043723	MACHINED DISC INLET	2		16X1.5	16x1.5	
	27	043360	SPRING	2	5	0.7-15L		
	28	121835	SPRING CASE	1			~2020.05.	
	28A	103132	SPRING HOUSING	1			2020.06.~	
	29	121837	SPRING RETAINER	1			~2020.05.	
	29A	121618	SPRING RETAINER	1			2020.06.~	
	30	011682	O-RING	1		P10 7ツツ	P10	
	31	121838	SPRING SEAT	1			~2020.05.	
	32	124893	SPRING	1		2.1-32L	~2020.05.	
	32A	566163	SPRING	1		2.1-32L	2020.06.~	
	33	121619	MACHINED DISC	1				
	34	103746	MACHINED TAPERED DISC	1				
	35	011343	O-RING	1	5	P10A	P10A	
	36	011346	O-RING	1	5	P14	P14	
	37	121839	LEVER ASSY	1			~2020.05.	
	37A	107198	CAM HANDLE	1		ブル-(スタンプ アカ)	2020.06.~	
	38	126990	NUT	1	5	M8 2シ	M8 ~2020.05.	
	38A	126521	NUT	1	5	M8 1シ	M8 2020.06.~	
	39	105518	CAP	1	5		~2020.05.	
	40	122076	BOARD SPRING	1			~2020.05.	
	41	127095	TAPPING SCREW	1	10	ナベ 1シ 4X10	4x10 ~2020.05.	
	42	121956	SCREW	8	5	M5X32(SMK)	M5x32	
	43	816036	SCREW	4	5	M5X60(SMK)	M5x60	
	44	125801	PLATE	1				
	45	275069	HOSE ASSY	1			Incl.46	
×	46	275071	TUBE	1		15.2X19.5X300	15.2x19.5x300L	
	47	103033	HOSE BAND	2	5	150-05-00	150-05-00	
	48	275072	HOSE ASSY	1		275073+275074	Incl.49	
×	49	275074	TUBE	1		15.2X19.5X380	15.2x19.5x380L	
	50	103033	HOSE BAND	2	5	150-05-00	150-05-00	
	51	131939	PLUG	1		クワ		
	52	021549	O-RING	1	5	P5	P5	
	53	129042	CAP	1		クワ		
	54	043972	HOSE BAND	1	5	125-06-00		
	55	127225	COLLAR	1	5	8X10X5.3	8x10x5.3 2020.06.~	

Status	Position	Parts Number	Parts Name	Unit Quantity	Set Unit Quantity	Specification	Remarks	Maker code
	56	127217	WASHER	5	5	8.5X14XT0.5	8.5x14xT0.5 2020.06~	
	57	127216	WASHER	1	5	M8 ミカ キマル	M8 2020.06~	

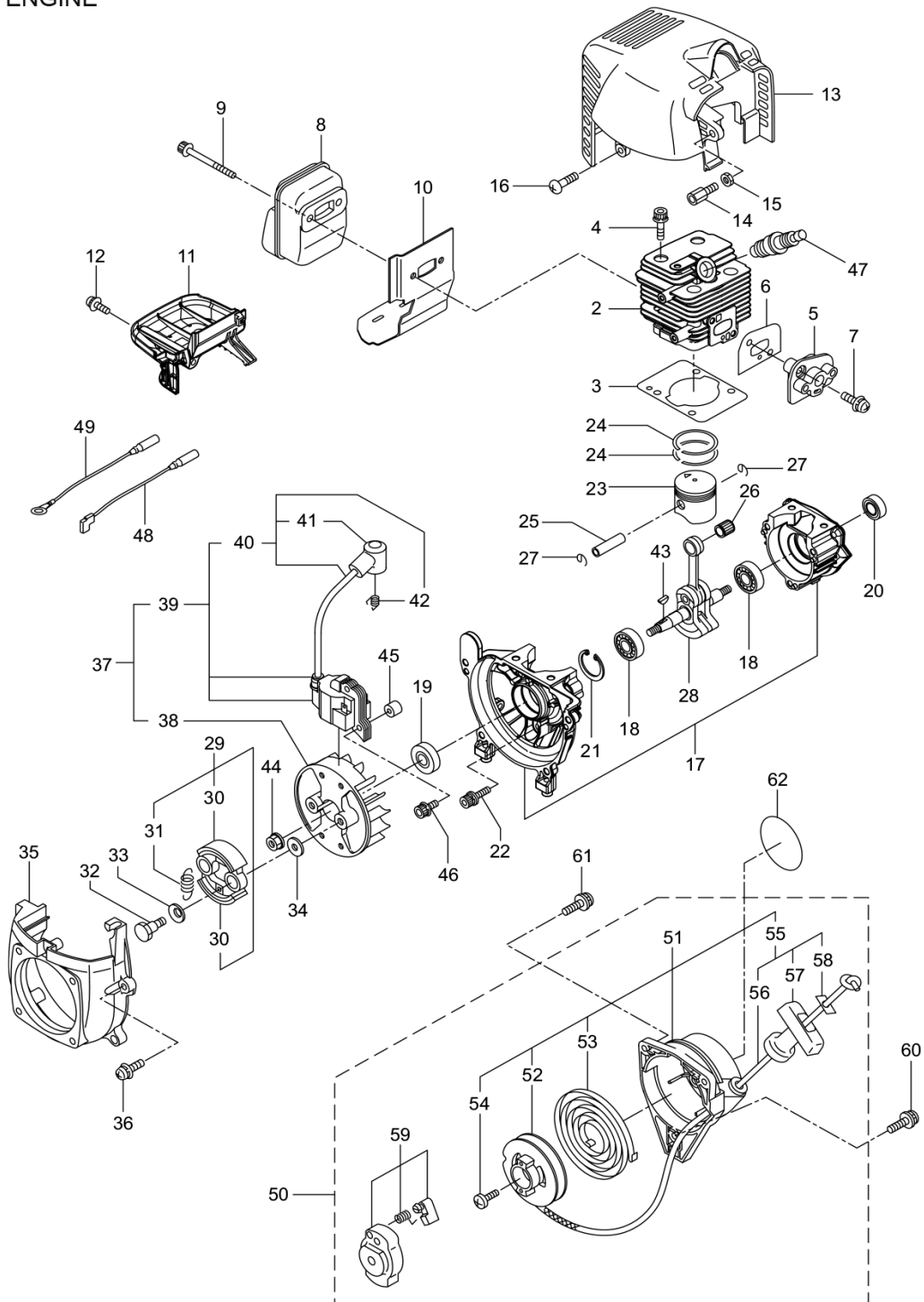
4. MS075D-TL
REDUCTION GEAR



Status	Position	Parts Number	Parts Name	Unit Quantity	Set Unit Quantity	Specification	Remarks	Maker code
--------	----------	--------------	------------	---------------	-------------------	---------------	---------	------------

Status	Position	Parts Number	Parts Name	Unit Quantity	Set Unit Quantity	Specification	Remarks	Maker code
	1	125684	REDUCTION GEAR ASSY	1		MS059	Incl.2-8	
	2	125685	GEAR CASE	1				
	3	102680	BEARING 6000ZZ	2		#6000ZZ	#6000ZZ	
	4	112184	BEARING 6000DDU	1		6000DDU(NSK)	#6000DDU	
	5	125686	PINION GEAR	1				
	6	103144	BEARING	1		#6004ZZ	#6004ZZ	
	7	125687	CRANKSHAFT	1				
	8	127367	CLUTCH DRUM	1		WJR2525		
	9	126059	BOLT	4		M6X60(SMK)	M6x60	

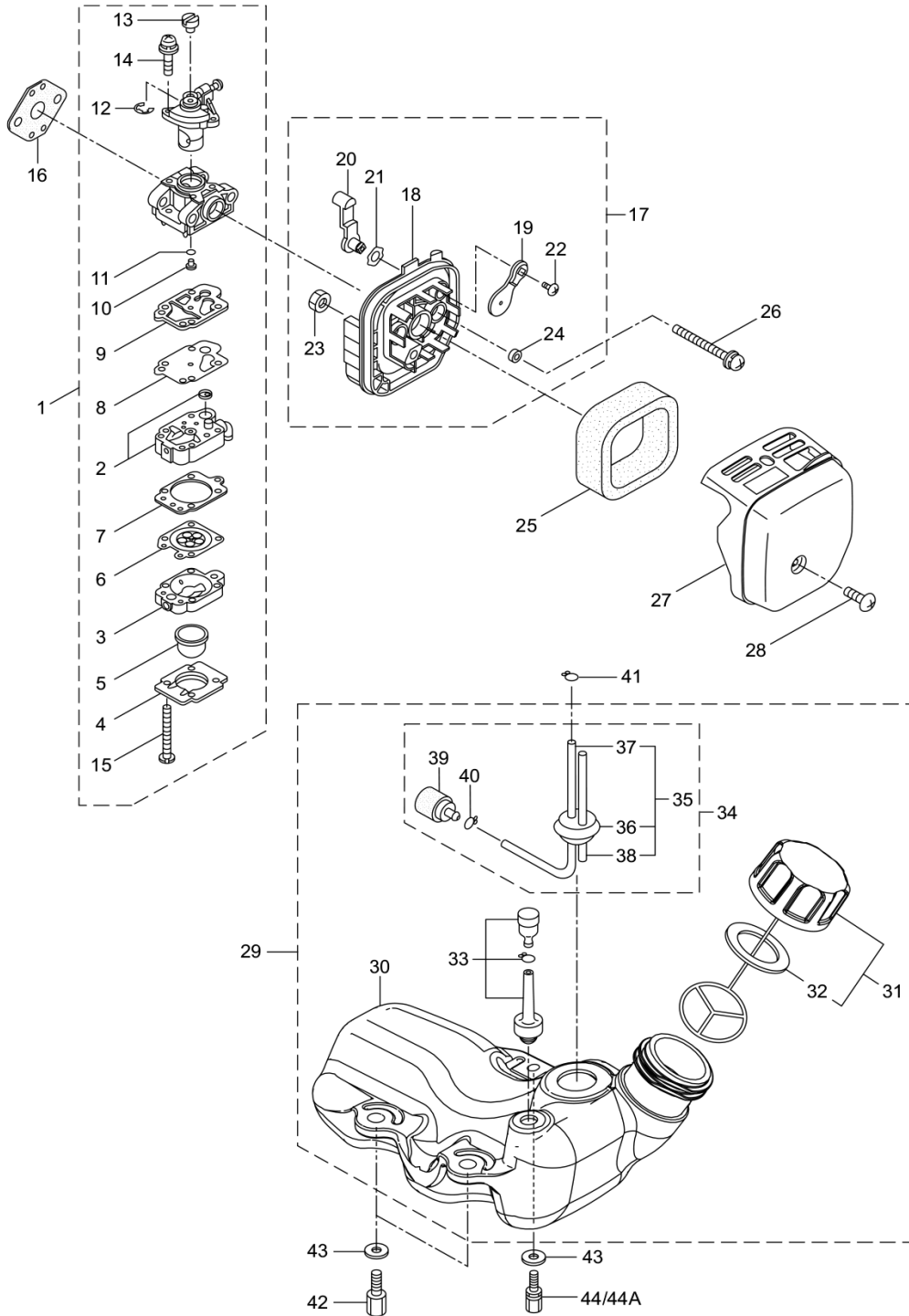
5. MS075D-TL ENGINE



Status	Position	Parts Number	Parts Name	Unit Quantity	Set Unit Quantity	Specification	Remarks	Maker code
	1	875139		1			EE263PTH/01	
	2	273153	CYLINDER	1				
	3	282330	GASKET	1	5	T=0.5		
	4	261250	CAP SCREW	4	5	M5X20	M5x20	
	5	263772	INSULATOR ASSY	1		LE230	New gasket required	
	6	267049	GASKET	1	5			
	7	269826	SCREW	2	5	M5X25WSWナミ	M5x25	
	8	278560	MUFFLER COMP.	1				
	9	266264	CAP SCREW	2	5	M5X507	M5x50	
	10	282252	GASKET	1		T=0.5		
	11	246083	UNDER COVER	1				
	12	269827	SCREW	1	5	M5X16WSWナ	M5x16	
	13	278908	TAPA DE MOTOR MS075D	1		EE261 アオツ/ナシ		
	14	265410	SCREW	1		シヨトタイブ		
	15	261878	NUT	1	5	M6 3ユ		
	16	280144	TAPPING SCREW	1	5	4X16タツビ ンブ ラス		
	17	563680	CRANKCASE	1				
	18	280488	BEARING 6001C3	2		6001 C3リベ ット	PPL 6001	
△	19	563633	OIL SEAL	1		HTC12287 グリスリ		
△	20	563632	OIL SEAL	1				
△	21	563635	C SHAPED SNAP RING (TH)	1		アナヨウ28	H28	
	22	261612	CAP SCREW	3		M5X30	M5x30	
	23	273155	PISTON	1				
	24	261496	PISTON RING	2			(2)Required	
	25	261497	PISTON PIN	1		5.7X8X27.5		
	26	261037	BEARING NEEDLE KBK8X11X11.8X1	1		KBK8X11X11.8X1	KBK8x11x11.8x1	
	27	261576	CLIP PISTON	2				
	28	277939	CRANK SHAFT	1		EE260ヨウ		
	29	264887	CLUTCH ASSY	1			Incl.30,31	
	30	264888	CLUTCH SHOE	2			(2)required	
	31	264889	SPRING	1				
	32	264505	BOLT	2				
	33	261777	WAVE WASHER	2	5			
	34	261189	WASHER	2	5	6X16.5XT1.2	6x16.5xt1.2	
	35	283386	FAN COVER	1				
	36	269831	SCREW	4	5	M5X20WSWナ	M5x20	
	37	563372		1		282692	Incl.38-42	
	38	261356	ROTOR	1		10701-30541		
	39	282693	IGNITION COIL ASSY	1		SHIC	Incl.40-42	
	40	282694	SPARK PLUG WIRE ASSY	1			Incl.41,42	
	41	261074	PLUG BOOT	1		10855-40131		
	42	261075	CONNECTOR	1		10805-40061		
	43	261076	WOODRUFF KEY 3X10	1	5	Aヨウ 3X10	3x10	
	44	261417	NUT ROTOR M8	1	5	M8	M8	
	45	280381	SPACER	2	5			
	46	261256	BOLT	2	5	M4X25	M4x25	
	47	286739	SPARK PLUG	1			CJ6Y	3699-90020
	48	267492	LEAD	1		130L	130L	
	49	282880	WIRE LEAD	1		95M5 CBH		
	50	563258	RECOIL STARTER ASSY	1			Incl.51-59	
	51	288685	STARTER ASSY	1			Incl.52-58	
	52	288967	REEL	1				
	53	288968	SPIRAL SPRING	1				
	54	262922	SCREW	1		MFZN2		
	55	288969	ROPE ASSY	1			Incl.56-58	
	56	288970	STARTER ROPE	1				
	57	261725	STARTER GRIP	1				
	58	283511	ROPE STOPPER	1		A57302611810		
	59	288971	STARTER PULLEY ASSY	1				
	60	269833	SCREW	1	5	M4X16WSWナミ	M4x16	
	61	280489	SCREW	2	5	M4X20WSWナ	M4x20	

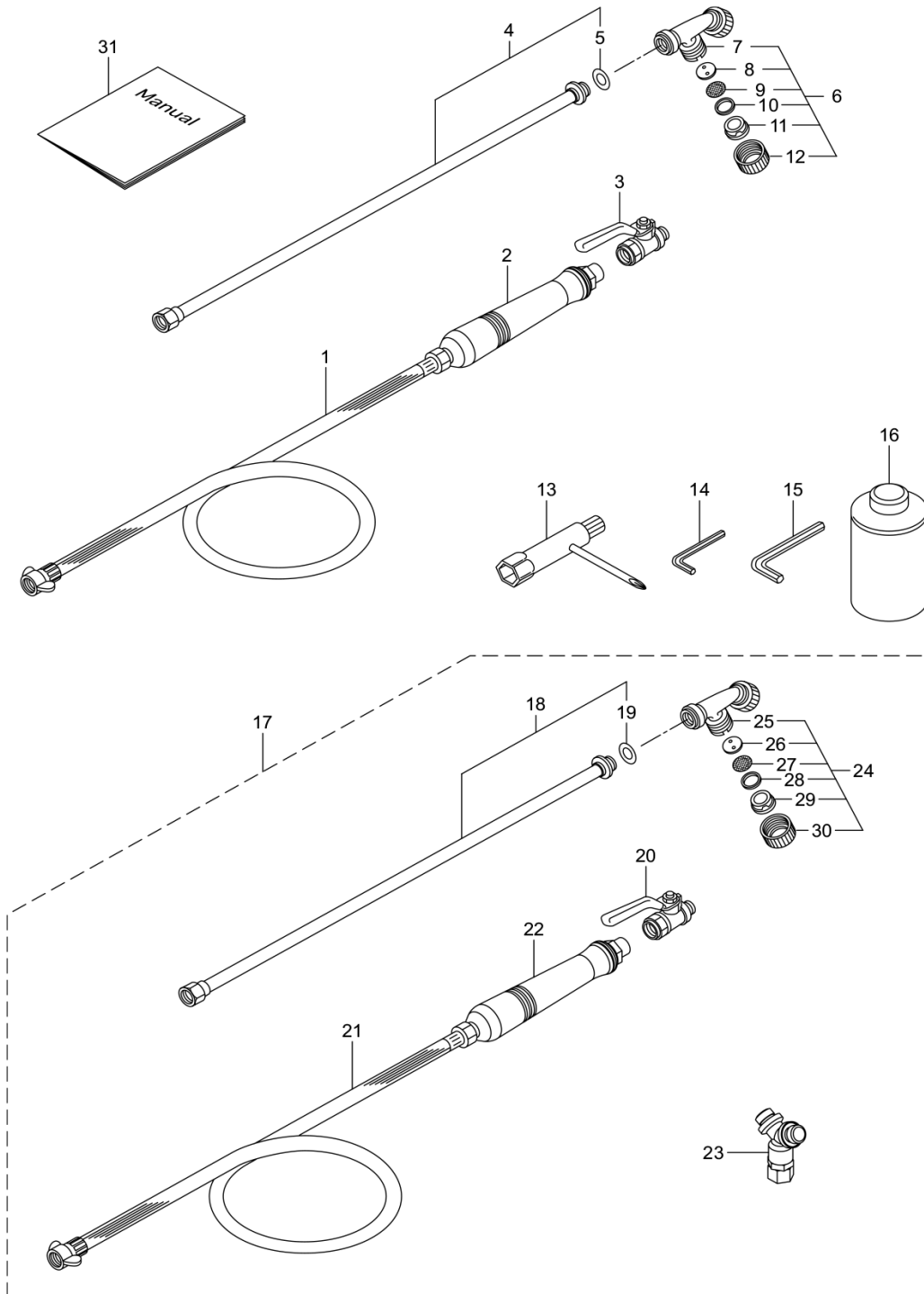
Status	Position	Parts Number	Parts Name	Unit Quantity	Set Unit Quantity	Specification	Remarks	Maker code
	62	566847		1		MS075D	MS075D	

6. MS075D-TL CARBURETOR, FUEL TANK



Status	Position	Parts Number	Parts Name	Unit Quantity	Set Unit Quantity	Specification	Remarks	Maker code
	1	275045	CARBURETOR ASSY	1		WYL-336	Incl.2-15 New gasket required	
	2	263739	CARBURETOR BODY	1		WB5-2571		
	3	262991	PURGE BODY	1		WB5-2557		
	4	262992	COVER	1		WB21-3147		
	5	261874	PRIMER	1		WB188-12		
	6	283905	DIAPHRAGM METERRING	1		WB95-614		
	7	262993	GASKET	1		WB92-359		
	8	262994	DIAPHRAGM	1		WB95-99		
	9	282576	GASKET	1		WB92-415		
	10	267358	MAIN JET	1		WB112-3070-350L		
	11	261871	O-RING	1		WB16-104		
	12	261876	RING	1		WB16-71		
	13	261658	SWIVEL	1		WB52-34		
	14	264682	SCREW	2		WB96-364		
	15	262996	SCREW	4	5	WB96-425		
	16	261864	GASKET	1	5			
	17	284823	CASE ASSY	1		WYL 2.0	Incl.18-24	
	18	269050	CASE BODY	1		ワ WYL		
	19	284802	MACHINED DISC	1		2.0		
	20	284803	LEVER	1				
	21	284816	WASHER	1	5	6.4X11X0.15	6.4x11x0.15	
	22	269032	SCREW	1	5	タツビ ンネジ 3.5X8		
	23	126993	NUT	1	5	M5X0.8 2ｼ	M5	
	24	269051	SLEEVE	2		5.5X7.1X3		
	25	269030	ELEMENT	1		HR-50ｼ		
	26	281777	SCREW	2	5	M5X55WSW+	M5x55	
	27	269580	CLEANER COVER	1		ワ MARUYAMA		
	28	269031	CAP SCREW	1	5	ｽﾘワﾘ M5X12	M5x12	
	29	563400	TANK ASSY	1			Incl.30-40	
△	30	563101	FUEL TANK	1				
	31	275306	CHEMICAL TANK CAP	1			Incl.32	
	32	274875	PACKING	1		KRYNAC4975F		
	33	563262	BREATHER ASSY	1				
△	34	563232	FUEL PIPE ASSY	1			Incl.35-40	
	35	563233	FUEL PIPE ASSY	1			Incl.36-38	
	36	288192	GROMMET	1				
	37	261690	FUEL PIPE	1		3X5X160L(ワ)	160L	
	38	288194	RETURN PIPE	1		3X6X85(ｷ)	3x6x85	
	39	277887	FILTER ASSY	1		125-935		
	40	563014	CLIP	1				
	41	563014	CLIP	1				
	42	563119	EXTENSION	2				
	43	283688	WASHER	3	5	5.5X12X1.6ﾋ	5.5x12x1.6	
	44	563119	EXTENSION	1			~2020.03.	
	44A	563142	EXTENSION	1			2020.04.~	

7. MS075D-TL ACCESSORIES



Status	Position	Parts Number	Parts Name	Unit Quantity	Set Unit Quantity	Specification	Remarks	Maker code
	1	118270	HOSE ASSY	1		7.5X1200アホ(コウアツ)	7.5x1200L	
	2	641261	GRIP	1		アサハ		450022460
	3	105891	BALL COCK(ON/OFF)	1		PF1/4 7944	G1/4xG1/4	450095060
	4	124040	NOZZLE PIPE	1		G1/4 8-680 カクク	Incl.5	
	5	112850	PACKING	1	5		11.5x15.5xt1.5	8000142
	6	814267	WIDE NOZZLE 3	1		NH-V-2M-3(ヤマホ)	Incl.7-12	
	7	103170	NOZZLE	1		ヤマホ H-606	H-606	
×	8	106359	PACKING	2		ヤマホ H-702	H-702	
	9	120738	MESH #80	2		ヤマホ 901187		901187
	10	120739	PACKING H-702R T2.5	2	5			
	11	412891	C-35S NOZZLE PLATE	2			NN-C-35S	491266
	12	103173	CAP	2		ヤマホ H-6013B		
	13	210418	BOX SPANNER	1		13X19X(+) ^ト ライ ハ	13x19x(+)	
	14	219431	SPANNER	1		ニメソハハ 3	3mm	
	15	219432	WRENCH	1		ニメソハハ 4	4mm	
	16	022540	FUEL BLENDING BOTTLE	1		0.5L		
	17	563055		1			Incl.18-30	
	18	124040	NOZZLE PIPE	1		G1/4 8-680 カクク	Incl.19	
	19	112850	PACKING	1	5		11.5x15.5xt1.5	8000142
	20	105891	BALL COCK(ON/OFF)	1		PF1/4 7944	G1/4xG1/4	450095060
	21	118270	HOSE ASSY	1		7.5X1200アホ(コウアツ)	7.5x1200L	
	22	641261	GRIP	1		アサハ		450022460
	23	563124		1		PF1/4	PF1/4	
	24	814267	WIDE NOZZLE 3	1		NH-V-2M-3(ヤマホ)	Incl.25-30	
	25	103170	NOZZLE	1		ヤマホ H-606	H-606	
×	26	106359	PACKING	2		ヤマホ H-702	H-702	
	27	120738	MESH #80	2		ヤマホ 901187		901187
	28	120739	PACKING H-702R T2.5	2	5			
	29	412891	C-35S NOZZLE PLATE	2			NN-C-35S	491266
	30	103173	CAP	2		ヤマホ H-6013B		
	31	566841		1		MS075D	MS075D	