

Is Your Product Registered?

Contact your Dealer to verify.

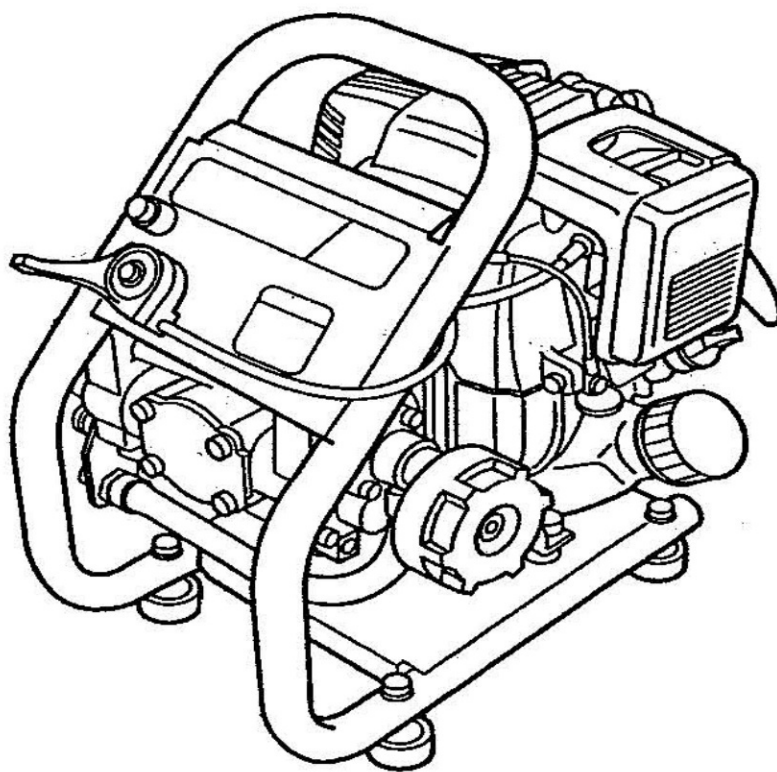
Warranties are based on Registrations and reduced to 1 year without  
Registration.

**MARUYAMA**

ILLUSTRATED PARTS LIST

# **MS072EHCA**

PORTABLE SPRAYER

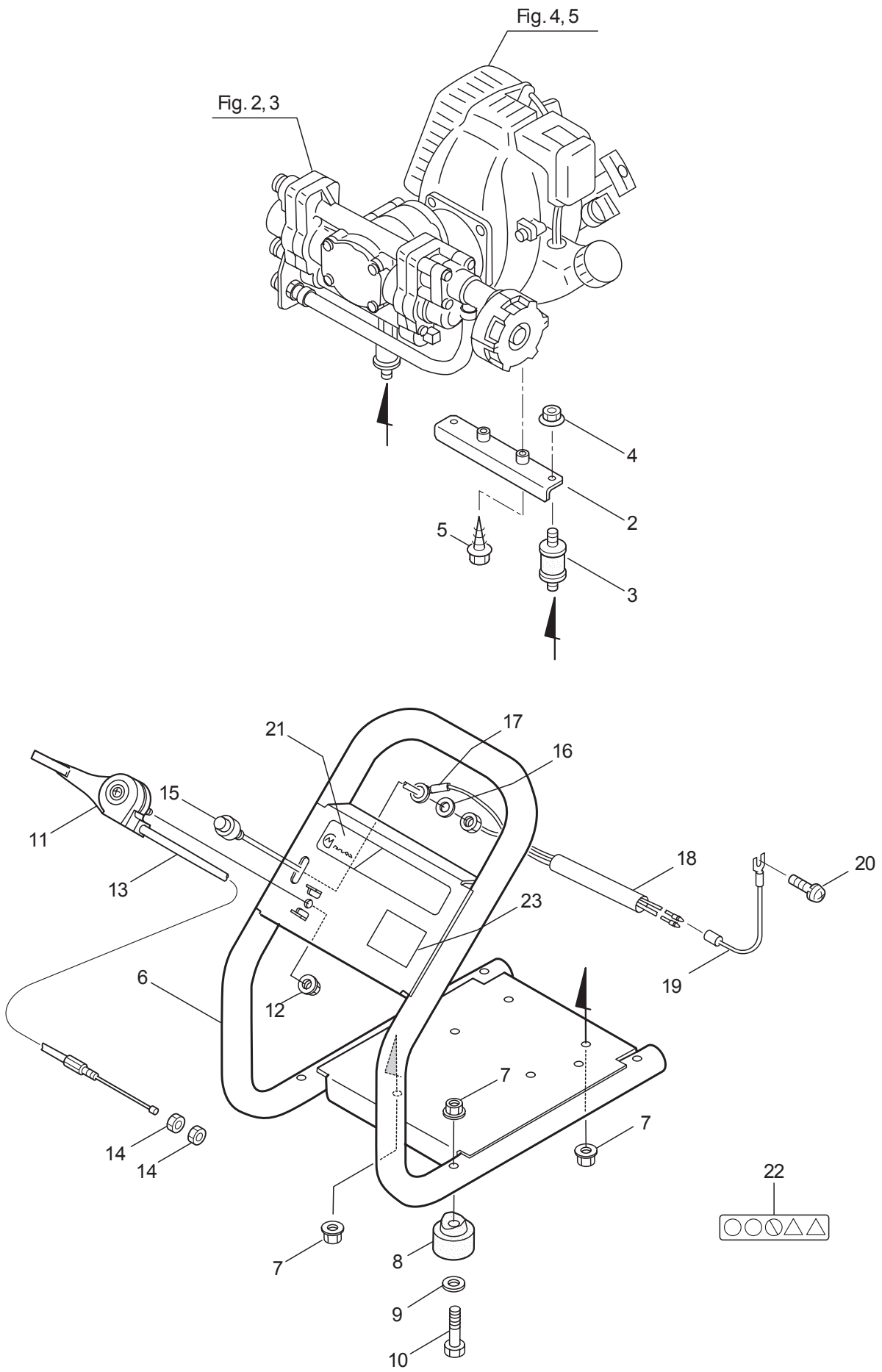


MS072EHCA  
PORTABLE SPRAYER  
PART# 522808 06/2009



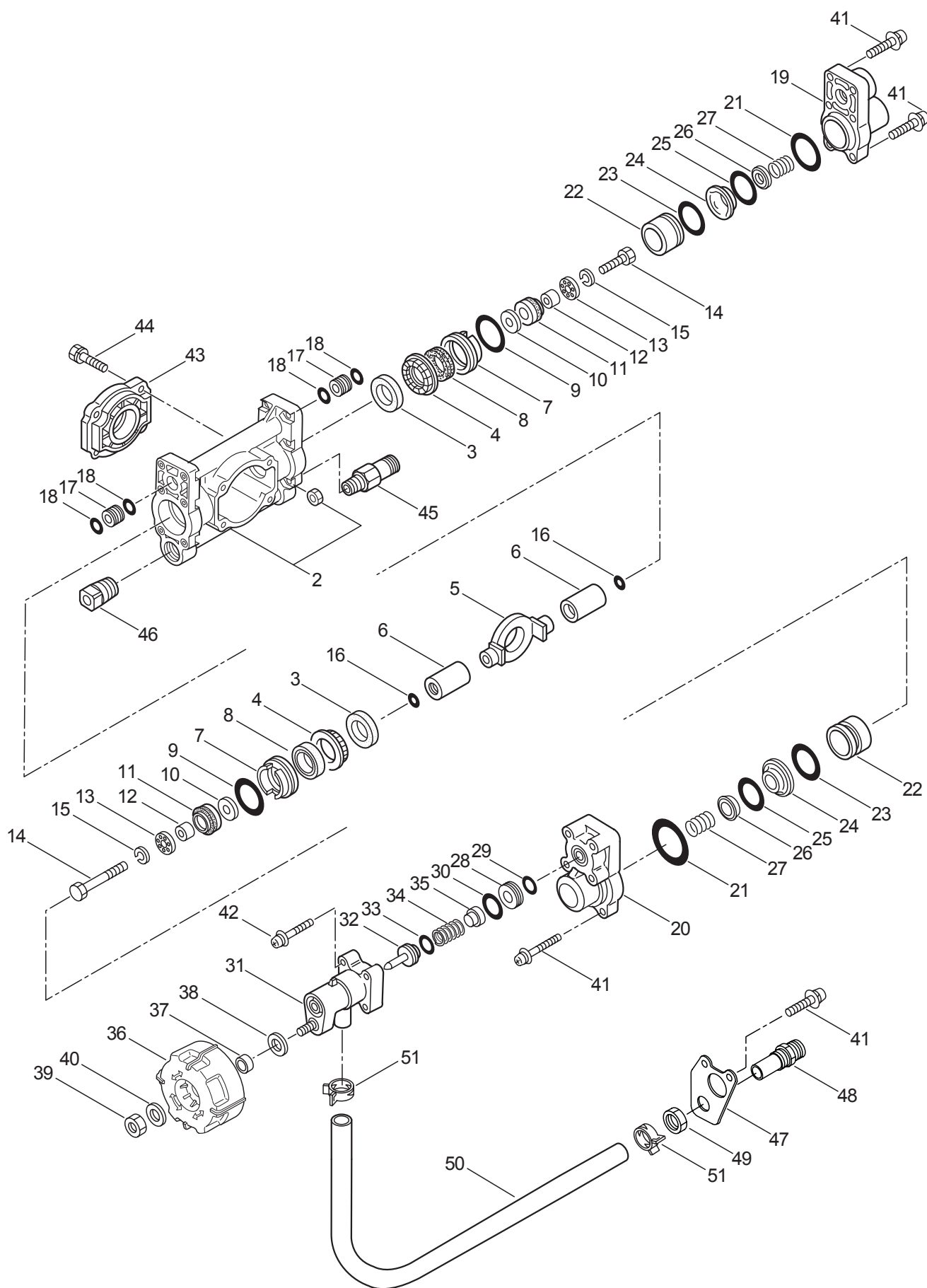
Maruyama. *E x t r a o r d i n a r y .*

1. MS072EHCA  
MAIN BODY



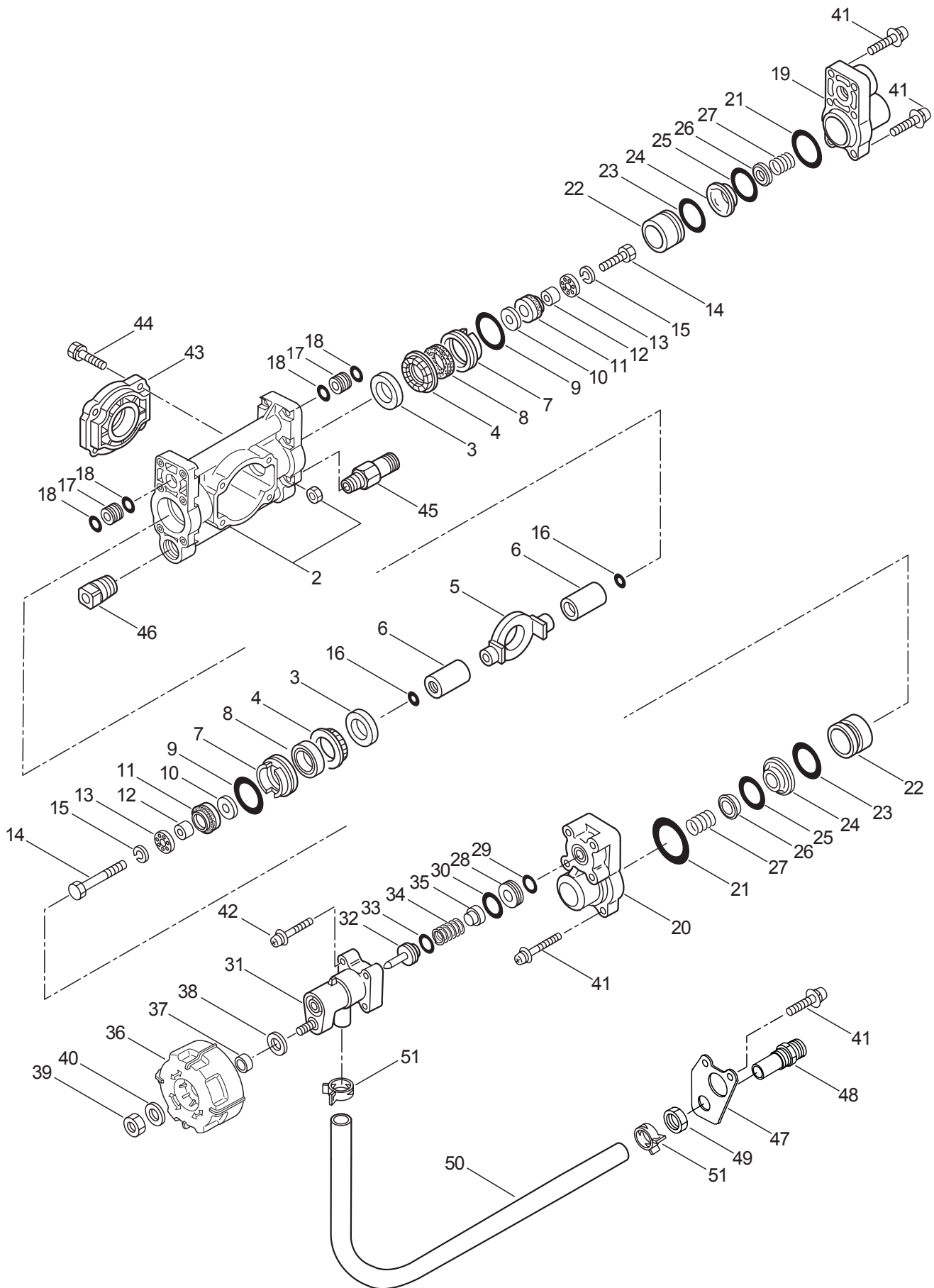
Ref. No.	Part No.	Part Name	Q'ty	Remarks
1-2	124705	Bracket	1	
1-3	264531	Buffer	2	
1-4	127230	Nut	2	M6
1-5	127236	Tapping Screw	2	M5x20
1-6	122315	Frame	1	
1-7	127230	Nut	7	M6
1-8	100559	Buffer	4	
1-9	019056	Washer	4	6.5x18xt1
1-10	082117	Bolt	4	M6x40x18
1-11	115148	Throttle Lever	1	
1-12	127226	Nut	1	M5
1-13	125023	Throttle Wire	1	
1-14	127218	Nut	2	M6
1-15	119280	Stop Switch	1	
1-16	126573	Washer	1	M8
1-17	119281	Ground Wire	1	
1-18	119282	Vinyl Hose	1	8x9x90
1-19	118348	Wire	1	
1-20	092044	Screw	1	M5x8
1-21	124898	Label	1	MS072EH
1-22	266959	Label	1	Caution
1-23	285188	Label	1	

2. MS072EHCA  
POWER SPRAYER



Ref. No.	Part No.	Part Name	Q'ty	Remarks
2-1	124864	Pump Ass'y	1	Incl.2~51,3-1~3-15
2-2	121831	Crankcase	1	
2-3	102683	Oil Seal	2	G16244
2-4	106190	Collar	2	
2-5	121179	Connecting Rod	1	
2-6	118055	Sleeve	2	15x28.5
2-7	102358	Seal Retainer	2	
2-8	112252	Packing	2	
2-9	013977	O-Ring	2	S26
2-10	043426	Suction Valve Seat	2	5x17x2.8
2-11	100441	Piston Packing	2	20.5
2-12	023357	Suction Valve Collar	2	5x8x10L
2-13	022023	Suction Valve Stopper	2	5x16x3
2-14	118357	Bolt	2	M5x45x22
2-15	015848	Spring Washer	2	M5
2-16	021549	O-Ring	2	P5
2-17	100554	Spacer Pipe	2	6x12x10
2-18	014175	O-Ring	4	P9
2-19	103128	Cylinder Head (A)	1	
2-20	102634	Cylinder Head (B)	1	
2-21	013983	O-Ring	2	S31.5
2-22	103130	Cylinder Pipe	2	20x26x18L
2-23	023172	O-Ring	2	P22
2-24	118018	Valve Seat	2	
2-25	103575	O-Ring	2	23x1.5
2-26	043723	Discharge Valve	2	
2-27	043360	Discharge Valve Spring	2	
2-28	103746	Valve Seat	1	
2-29	011343	O-Ring	1	P10A
2-30	011346	O-Ring	1	P14
2-31	103132	Spring Case	1	
2-32	103758	Spring Retainer	1	
2-33	011682	O-Ring	1	P10
2-34	103759	Compression Coil Spring	1	
2-35	103747	Discharge Valve	1	
2-36	107198	Handle	1	
2-37	127225	Collar	1	8x10x5.3
2-38	127217	Washer	5	8.5x14xT0.5
2-39	126521	Nut	1	M8
2-40	127216	Washer	1	M8
2-41	121956	Screw	8	M5x32
2-42	816036	Screw	4	M5x60
2-43	118006	Bearing Case	1	
2-44	127231	Bolt	4	M6x55
2-45	125508	Nipple	1	R3/8xG3/8

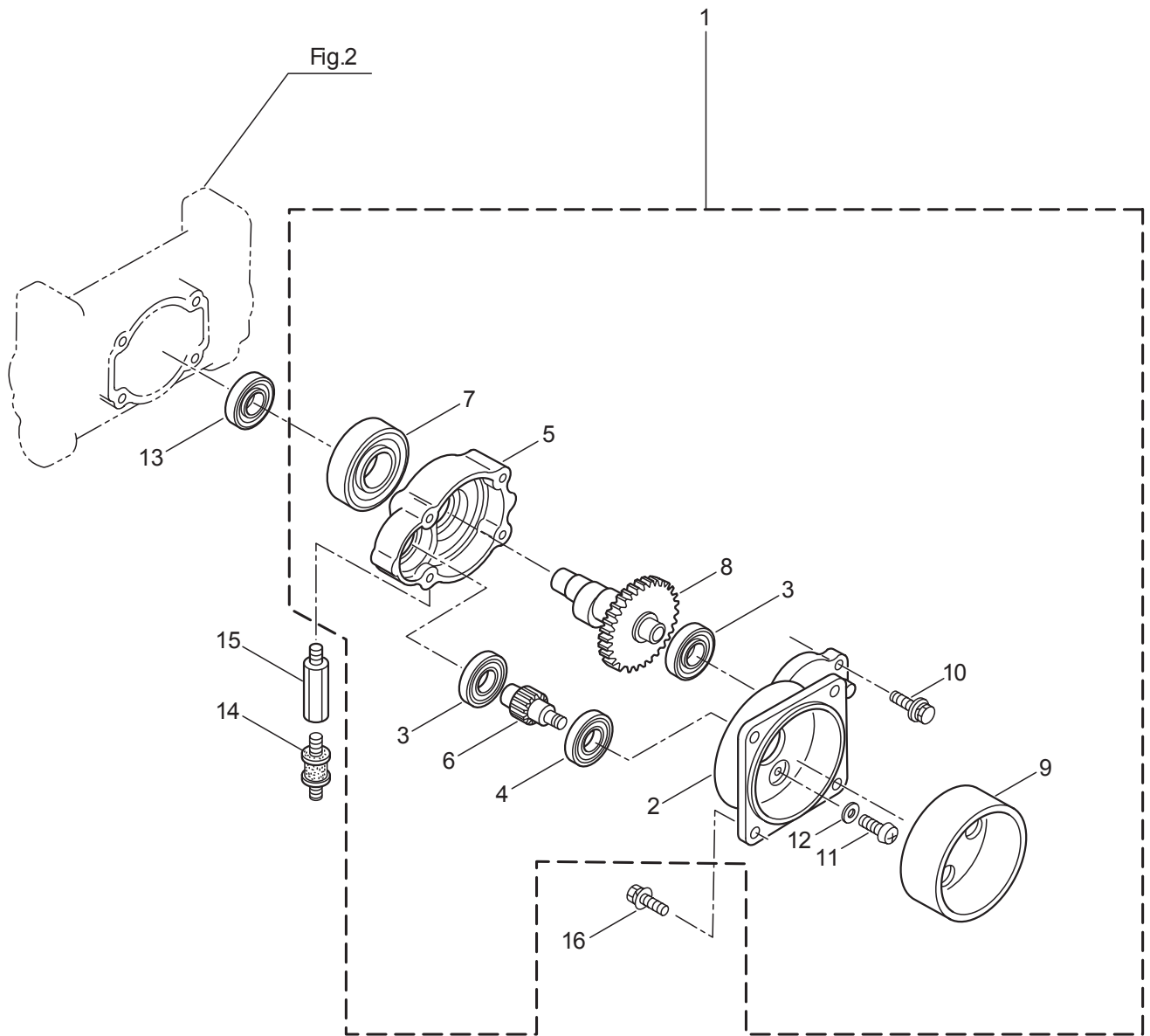
2. MS072EHCA  
POWER SPRAYER



Ref. No.	Part No.	Part Name	Q'ty	Remarks
2-46	108460	Plug	1	PT3/8
2-47	103412	Bracket	1	
2-48	103413	Nipple	1	PF1/4
2-49	025604	Nut	1	PF1/4
2-50	103760	Hose	1	10x15x240L
2-51	103033	Band	2	150-05-00

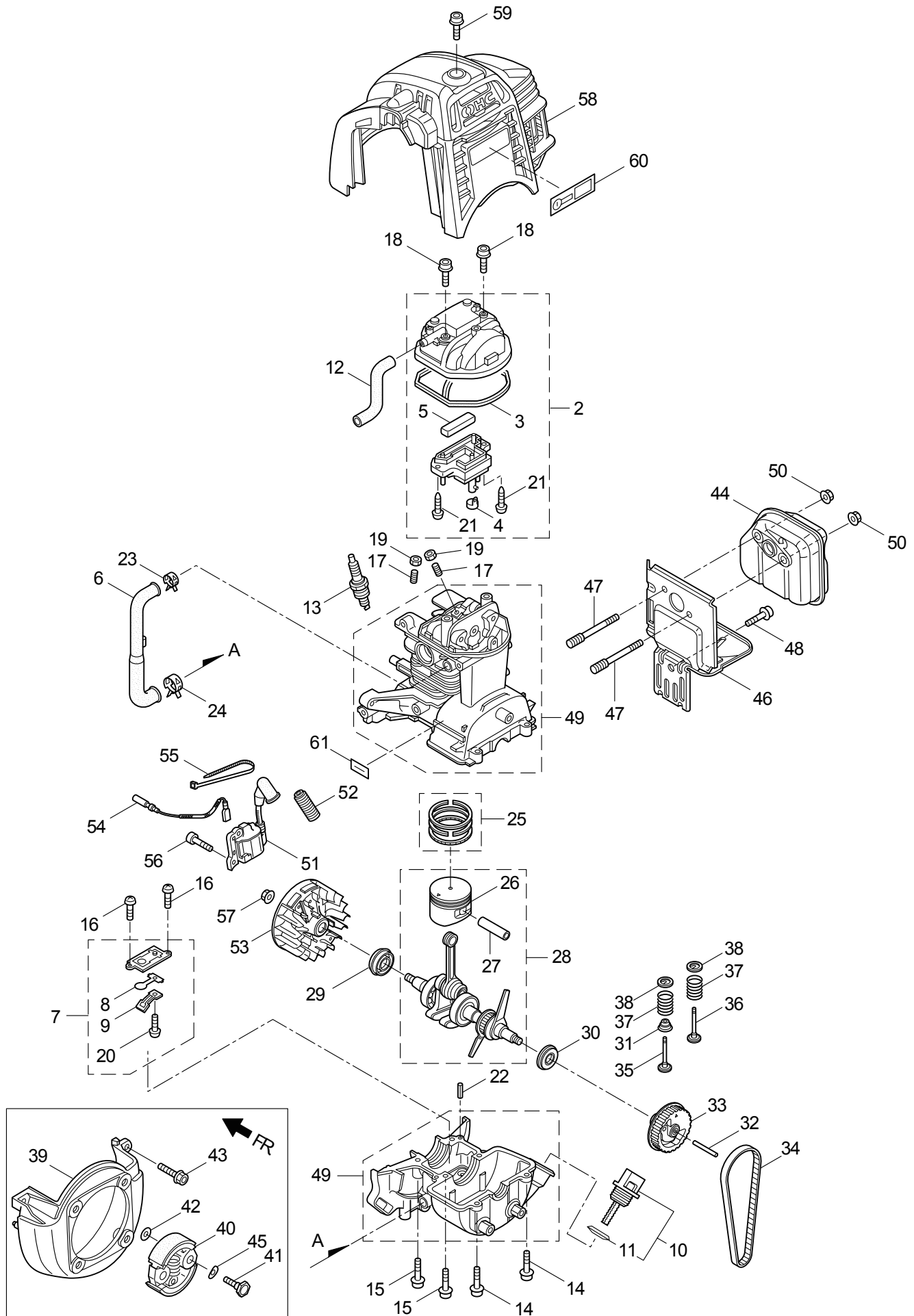


3. MS072EHCA  
REDUCTION GEAR



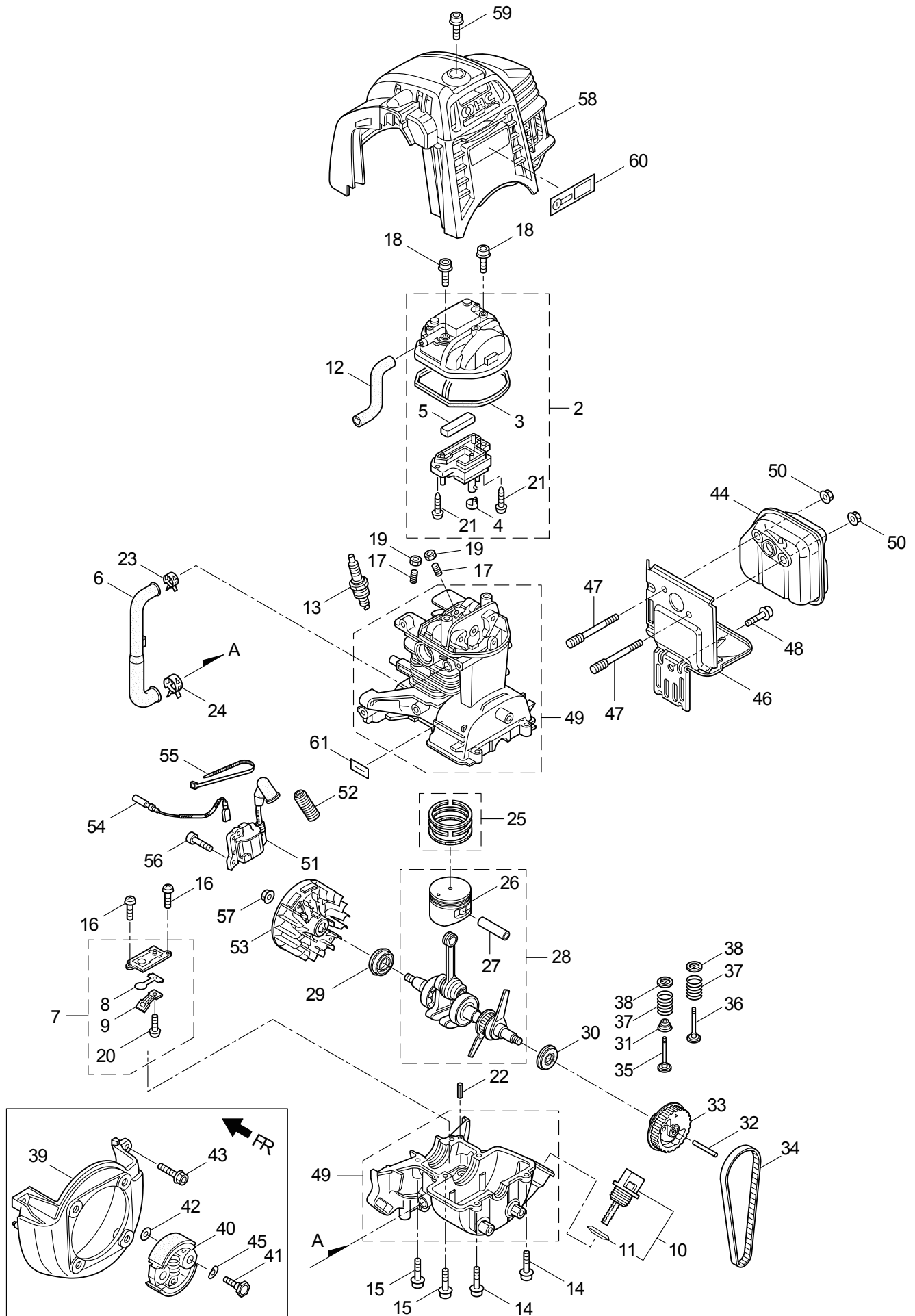
Ref. No.	Part No.	Part Name	Q'ty	Remarks
3-1	122013	Reduction Gear Ass'y	1	Incl.2-12
3-2	103137	Clutch Case	1	
3-3	102680	Bearing	2	#6000ZZ
3-4	112184	Bearing	1	#6000DDU
3-5	103138	Gear Case	1	
3-6	103139	Pinion Gear	1	
3-7	103144	Bearing	1	#6004ZZ
3-8	121622	Crankshaft	1	
3-9	127367	Clutch Drum	1	
3-10	125824	Bolt	2	M6x16
3-11	127219	Screw	2	M6x12
3-12	127227	Spack	2	
3-13	102680	Bearing	1	#6000ZZ
3-14	104706	Buffer	1	
3-15	127235	Extension	1	
3-16	125824	Bolt	4	M6x16

# 4. MS072EHCA ENGINE



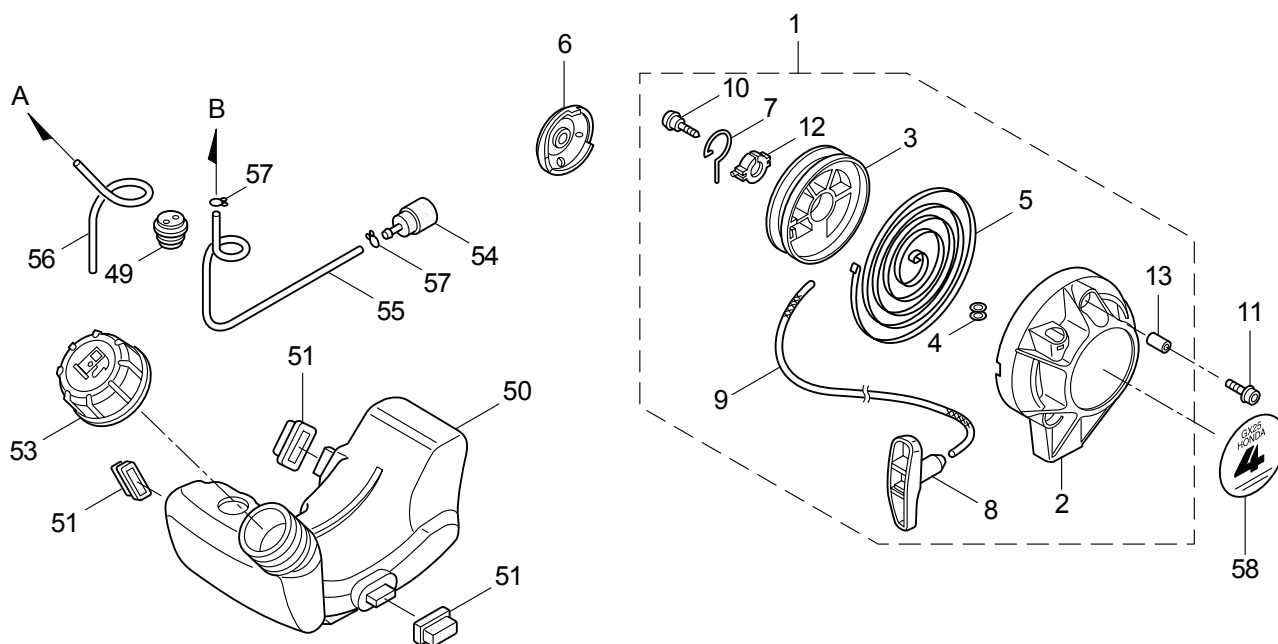
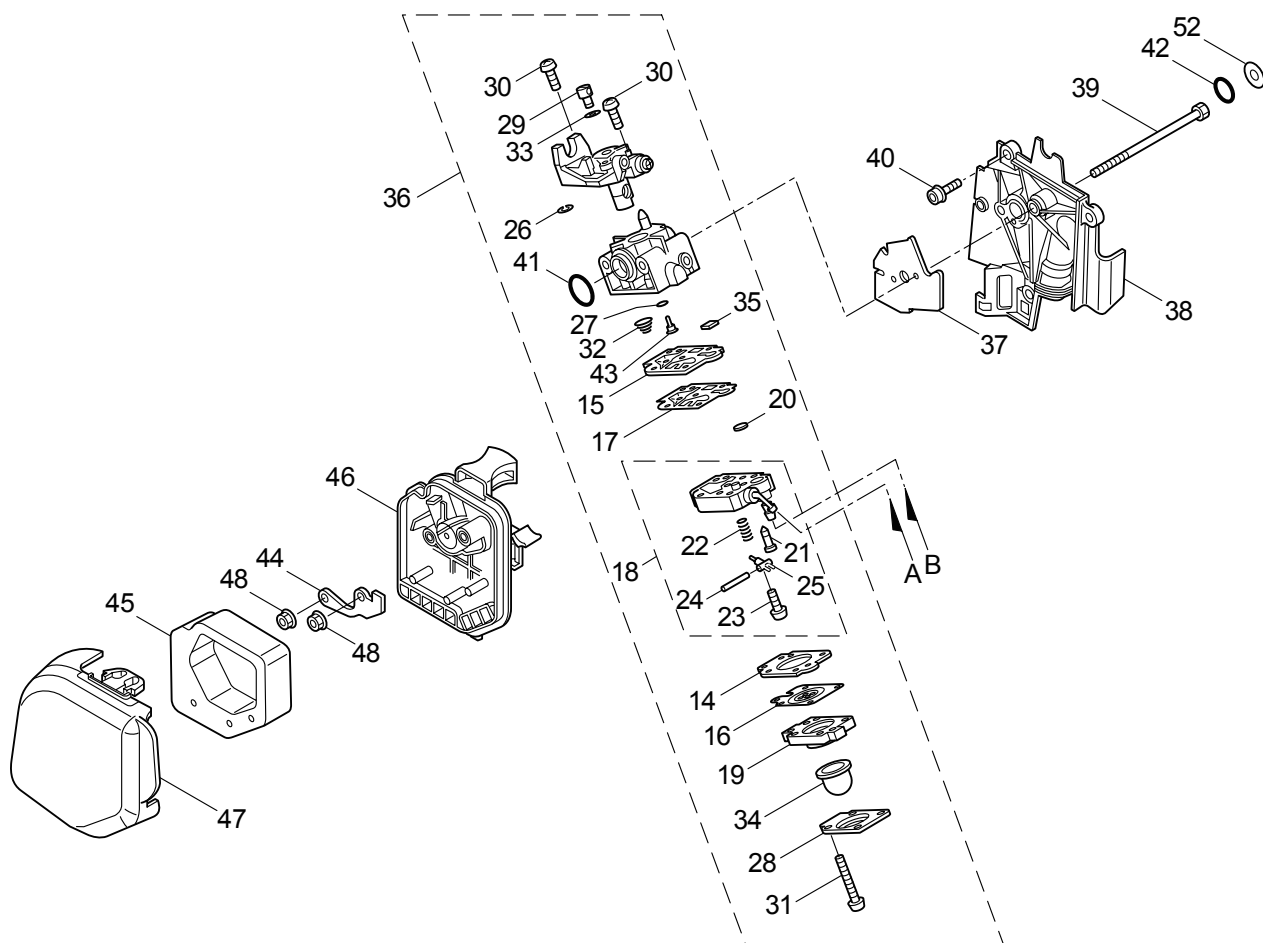
Ref. No.	Part No.	Part Name	Q'ty	Remarks
4-2	640126	Cover,Cylinder Head	1	Incl.3-5,21 12310-Z0H-000
4-3	640127	Seal,Head Cover	1	12312-Z0H-300
4-4	640128	Grommet,Head Cover	1	12314-Z0H-300
4-5	640129	Filter,Breather	1	12367-Z0H-000
4-6	640130	Tube,Oil	1	15422-Z0H-000
4-7	640131	Plate Ass'y.,Oil Outlet Valve	1	Incl.8,9,20 15510-Z0H-000
4-8	626671	Valve,Oil Outlet	1	15571-ZM3-003
4-9	640132	Plate Stopper	1	15572-Z0H-000
4-10	640133	Cap Ass'y.,Oil Filler	1	Incl.11 15600-ZF0-003
4-11	626334	Packing,Oil Filler Cap	1	15625-ZE1-003
4-12	647363	Tube, Breather	1	15721-Z0H-800
4-13	640135	Plug,Spark	1	31915-Z0H-003
4-14	640136	Bolt,Socket,5X20	2	90009-Z0H-003
4-15	640137	Bolt,Socket,5X30	4	90010-Z0H-003
4-16	640138	Screw,Pan,4X8	2	90013-Z0H-004
4-17	640139	Screw,Tappet Adjusting	2	90017-Z0H-000
4-18	640140	Bolt,Socket,5X12	2	90019-Z0H-003
4-19	626710	Nut,Tappet Adjusting	2	90206-ZM3-000
4-20	626683	Screw,Pan	1	3x5 93500-030050A
4-21	640141	Screw,Tapping,4X12	2	93901-34320
4-22	640142	Pin,Spring,4X10	1	94305-40102
4-23	640143	Clamp,Tube,D12	1	95002-41200-08
4-24	640144	Clamp,Tube,D13	1	95002-41300-04
4-25	640145	Ring Set,Piston	1	13010-Z0H-000
4-26	640146	Piston	1	13101-Z0H-000
4-27	640147	Pin,Piston	1	13111-Z0H-000
4-28	640148	Crankshaft Comp.	1	Incl.26,27 13310-Z0H-000
4-29	640149	Oil Seal, 12X24X5	1	91211-Z0H-003
4-30	640150	Oil Seal, 10X20X5	1	91212-Z0H-003
4-31	640151	Seal,Valve Stem	1	12209-Z0H-003
4-32	640152	Roller,4X29.8	1	14126-Z0H-003
4-33	640153	Pulley Comp.,Cam	1	14320-Z0H-000
4-34	640154	Belt,Timing(71ZU6 G-300)	1	14400-Z0H-003
4-35	640155	Valve,IN.	1	14711-Z0H-000
4-36	640156	Valve,EX.	1	14721-Z0H-000
4-37	640157	Spring,Valve	2	14751-Z0H-000
4-38	640158	Retainer,Valve Spring	2	14771-Z0H-000
4-39	640166	Cover,Fan	1	19611-Z0H-000
4-40	649284	Clutch Ass'y	1	22000-Z0H-061
4-41	649285	Bolt, Clutch	2	22253-Z0H-U61
4-42	649286	Washer, Clutch	2	6x15 22254-Z0H-U61
4-43	640136	Bolt,Socket,5X20	3	90009-Z0H-003
4-44	643083	Muffler Comp.	1	18310-Z0H-000
4-45	649287	Wave Washer	2	22256-Z0H-U61

# 4. MS072EHCA ENGINE



Ref. No.	Part No.	Part Name	Q'ty	Remarks
4-46	640187	Guide,Air Exhaust	1	18515-Z0H-000
4-47	640188	Bolt,Stud,2.5X42	2	90001-Z0H-003
4-48	640189	Bolt,Socket,5X10	1	90011-Z0H-003
4-49	640125	Crankcase Set	1	10100-Z0H-405
4-50	640191	Nut,Self Lock,5MM	2	90136-SM4-901
4-51	640199	Coil Ass'y.,Ignition	1	30500-Z0H-003
4-52	640200	Tube	1	30519-Z0H-000
4-53	640201	Flywheel Comp.	1	31110-Z0H-003
4-54	640202	Cord,Stop Switch	1	32195-Z0H-000
4-55	640203	Tie,Cable	1	32901-Z0H-000
4-56	640204	Bolt,Socket,4X14	2	90012-Z0H-005
4-57	640205	Nut,Flange,7MM	1	90355-427-770
4-58	640206	Cover Comp.,Top	1	19720-Z0H-000ZB
4-59	640207	Bolt,Top Cover	1	90015-Z0H-003
4-60	649289	Label	1	87135-ZE2-020
4-61	649290	Mark, Type	1	87601-Z0H-U70

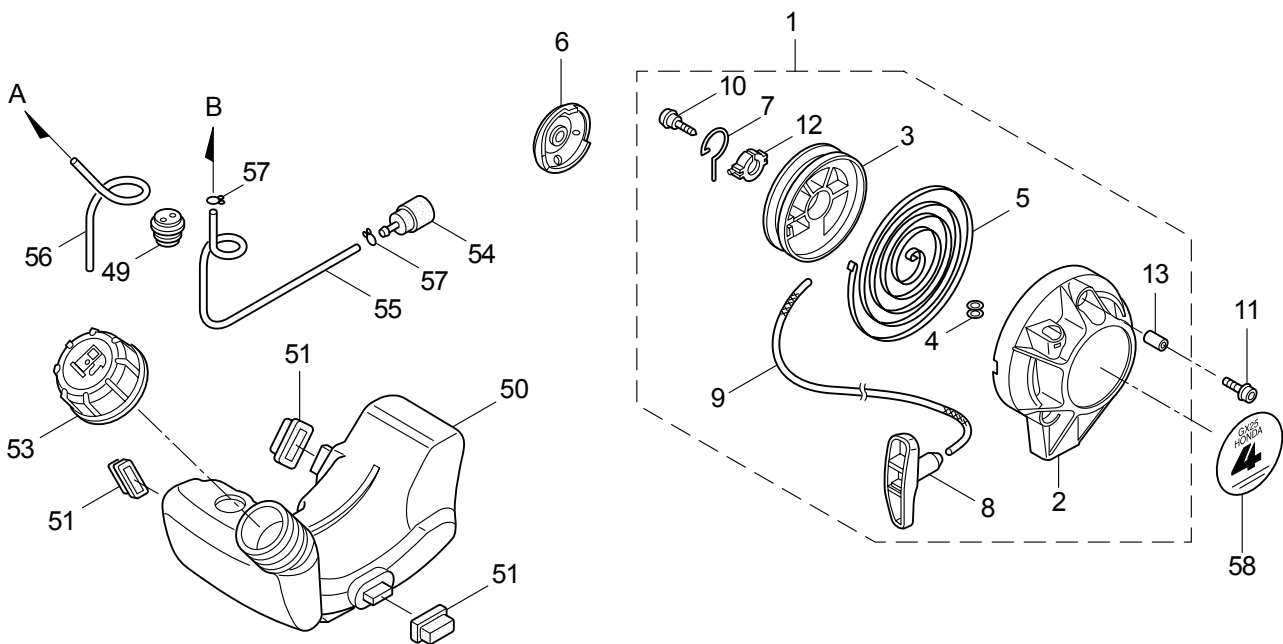
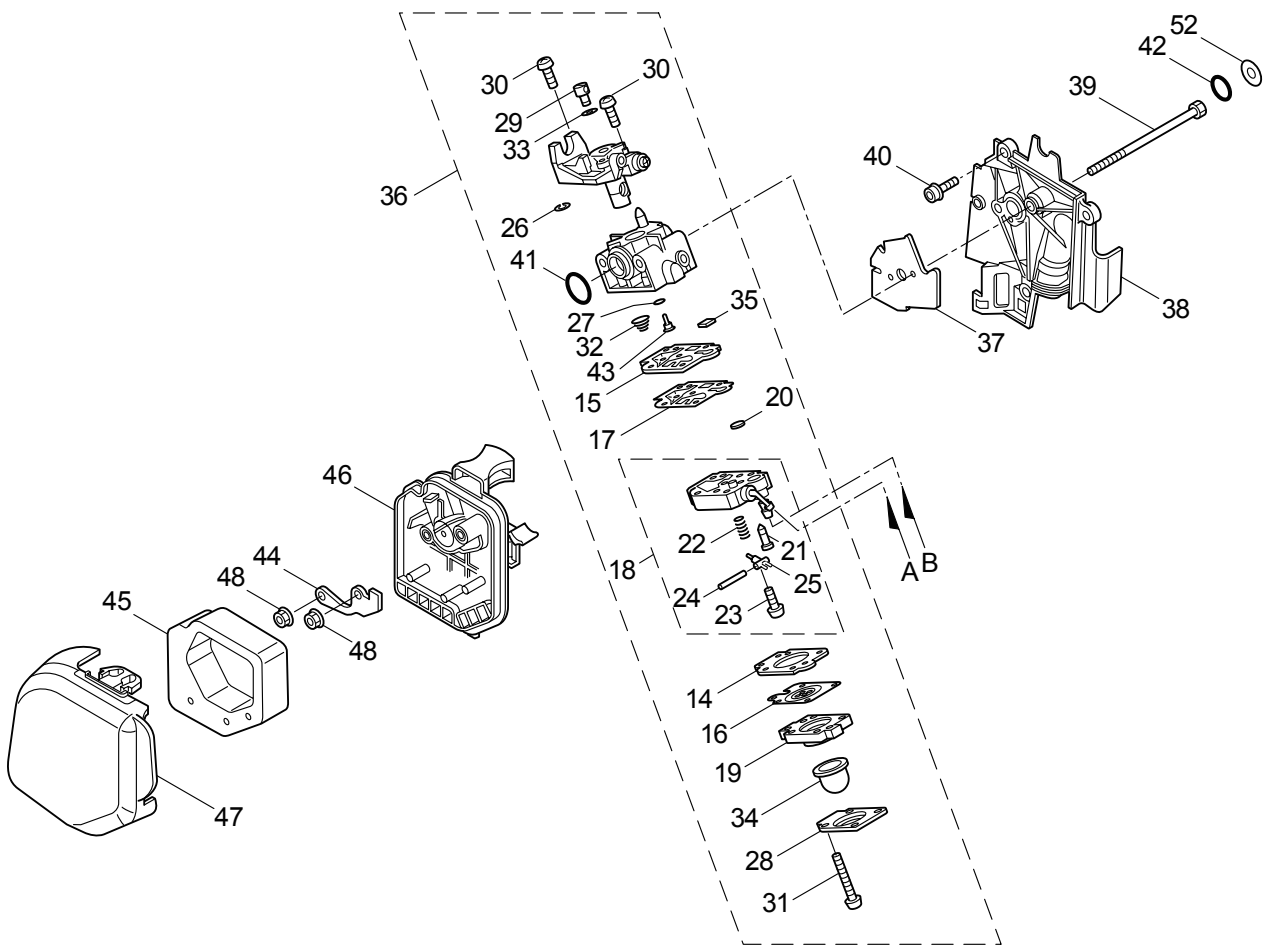
5. MS072EHCA  
CARBURETOR



Ref. No.	Part No.	Part Name	Q'ty	Remarks
5-1	640159	Starter Ass'y.,Recoil	1	Incl.2-5,7-10,12,13 28400-Z0H-003
5-2	640160	Case,Recoil Starter	1	28414-Z0H-003
5-3	640161	Reel,Recoil Starter	1	28421-Z0H-003
5-4	626716	Guide,Rope	1	28433-ZM3-003
5-5	640162	Spring,Recoil Starter	1	28442-Z0H-003
5-6	640163	Pulley,Recoil Starter	1	28451-Z0H-003
5-7	640164	Arm,Swing	1	28459-Z0H-003
5-8	626721	Knob,Recoil Starter	1	28461-ZM3-003
5-9	626722	Rope,Recoil Starter	1	28462-ZM3-003
5-10	626723	Screw Set	1	90012-ZM3-003
5-11	640165	Bolt,Socket,5X16	3	90018-Z0H-003
5-12	626724	Collar	1	91504-ZM3-003
5-13	633492	Collar A,Head Cover	3	91506-ZM3-000
5-14	626734	Gasket,Metering Diaphragm	1	16010-ZM3-004
5-15	640168	Gasket,Pump	1	16011-Z0H-003
5-16	640169	Diaphragm Ass'y.,Metaring	1	16013-Z0H-003
5-17	626738	Diaphragm,Pump	1	16014-ZM3-004
5-18	640170	Body Ass'y.,Pump	1	Incl.21-25 16015-Z0H-003
5-19	626740	Body Ass'y.,Air Purge	1	16017-ZM3-004
5-20	640171	Screen,Inlet	1	16018-ZM3-802
5-21	626742	Valve,Inlet Needle	1	16019-ZM3-004
5-22	626743	Spring,Metering Lever	1	16020-ZM3-004
5-23	626744	Screw,Metering Lever Pin	1	16021-ZM3-004
5-24	626745	Pin,Metering Lever	1	16022-ZM3-004
5-25	626746	Lever,Metering	1	16023-ZM3-004
5-26	640172	Ring,Retaining	1	16024-Z0H-003
5-27	626748	O-Ring	1	16025-ZM3-004
5-28	626749	Cover,Primer Pump	1	16026-ZM3-004
5-29	626750	Swivel	1	16027-ZM3-004
5-30	626751	Screw,Throttle Collar	2	16028-ZM3-004
5-31	626752	Screw,Pump Cover	4	16029-ZM3-004
5-32	626753	Spring,Pump	1	16030-ZM3-004
5-33	626754	Washer	1	16031-ZM3-004
5-34	626755	Pump,Primer	1	16032-ZM3-004
5-35	640173	Filter,Fuel Inlet	1	16035-ZM3-802
5-36	643085	Carburetor Ass'y	1	Incl.14-35,41,43 16100-Z0H-811
5-37	626761	Packing,Carburetor	1	16221-ZM3-000
5-38	640176	Shroud	1	19631-Z0H-000
5-39	646132	Bolt, 5x53	2	90014-Z0H-801
5-40	640165	Bolt,Socket,5X16	3	90018-Z0H-003
5-41	626766	O-Ring	1	14.8x2.4 91301-ZM3-000
5-42	640178	O-Ring	1	12.3x2.4 91308-Z0H-003
5-43	642398	Jet(#34)	1	99101-ZM5-0340
5-44	640181	Plate,Oil Trap	1	17204-Z0H-000
5-45	640182	Element,Air Cleaner	1	17211-Z0H-000

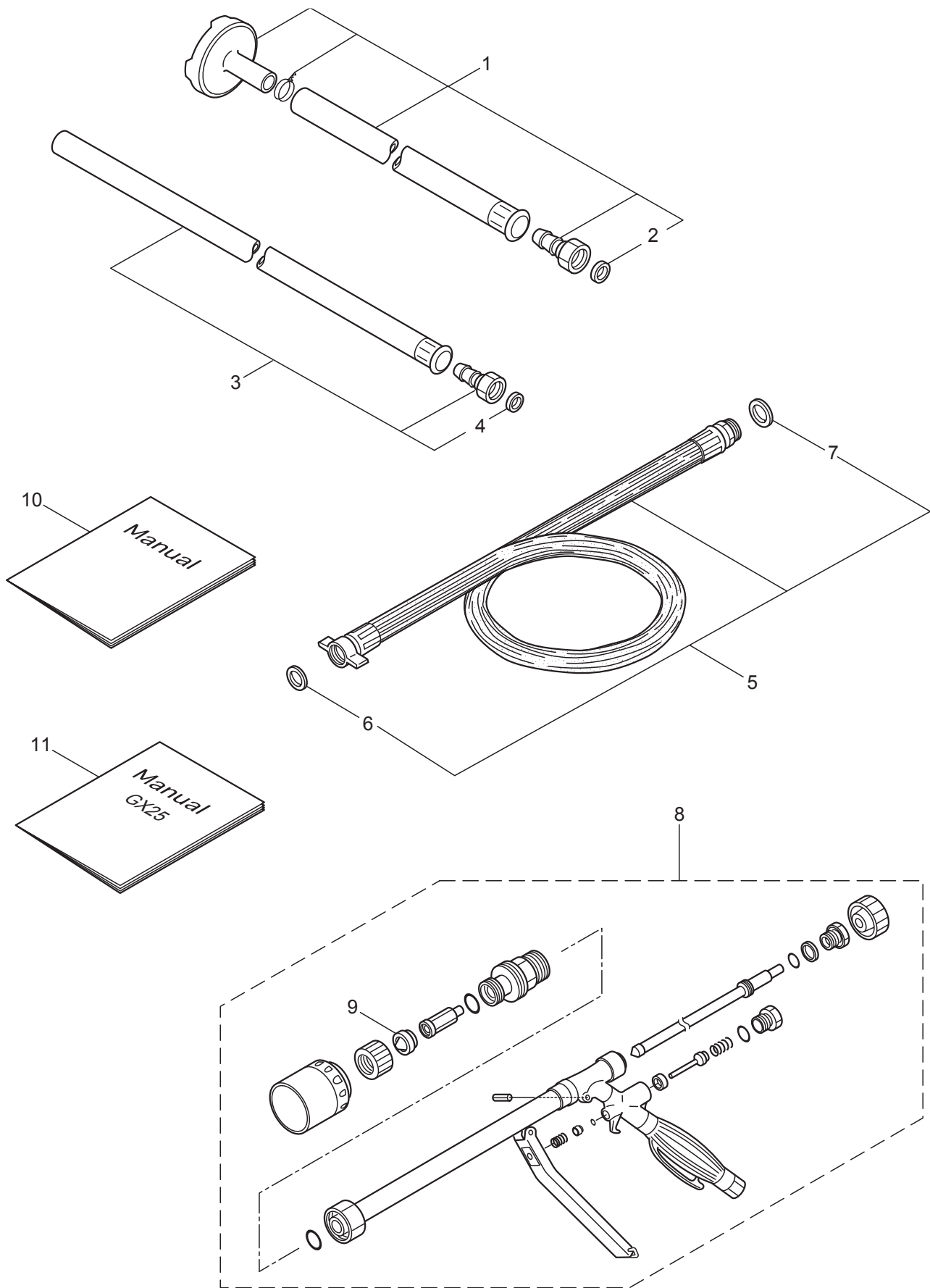


5. MS072EHCA  
CARBURETOR



Ref. No.	Part No.	Part Name	Q'ty	Remarks
5-46	640183	Case Comp.,Air Cleaner	1	17220-Z0H-000
5-47	640184	Cover,Air Cleaner	1	17231-Z0H-000
5-48	626244	Nut,Flange	2	5mm 94050-05000
5-49	626784	Grommet,Fuel Tube	1	17504-ZM3-003
5-50	640192	Tank,Fuel	1	17511-Z0H-003
5-51	640193	Rubber,Tank Mounting	3	17533-Z0H-000
5-52	643087	Washer	2	90401-Z0H-000
5-53	640195	Cap Ass'y.,Fuel Tank	1	17620-ZM3-043
5-54	626790	Filter,Fuel	1	17672-ZM3-003
5-55	640196	Tube,Fuel Tank	1	17701-Z0H-003
5-56	640197	Tube,Fuel Return	1	17702-Z0H-003
5-57	626793	Clip,Tube	2	91401-ZM3-003
5-58	640209	Mark,Emblem	1	87521-Z0H-000

6. MS072EHCA  
ACCESSORIES



Ref. No.	Part No.	Part Name	Q'ty	Remarks
6-1	103790	Suction Hose Ass'y	1	Incl.2 10x15x2500L
6-2	023330	Packing	1	9.5x15xt1.5
6-3	103792	Spill Hose Ass'y	1	Incl.4 8x13x2500L
6-4	023329	Packing	1	6.5x11.5xt1.5
6-5	025626	Hose Ass'y	1	Incl.6,7 7.5x20M
6-6	023329	Packing	1	6.5x11.5xt1.5
6-7	023320	Packing	1	11.5x16xt1.5
6-8	120403	Nozzle Ass'y	1	Incl.9 Universal Nozzle 20A
6-9	120404	Orifice Disk	1	NN-20-16
6-10	125157	Instruction Manual	1	MS072EH
6-11	125158	Instruction Manual	1	Engine



**Maruyama U.S., Inc.**  
3570 Shelby Lane  
Denton, TX 76207  
940-383-7400 voice  
940-383-7466 fax

**[www.maruyama-us.com](http://www.maruyama-us.com)**