

MARUYAMA MFG. CO., INC.

4-15, UCHI-KANDA, 3-CHOME, CHIYODA-KU, TOKYO, 101, JAPAN

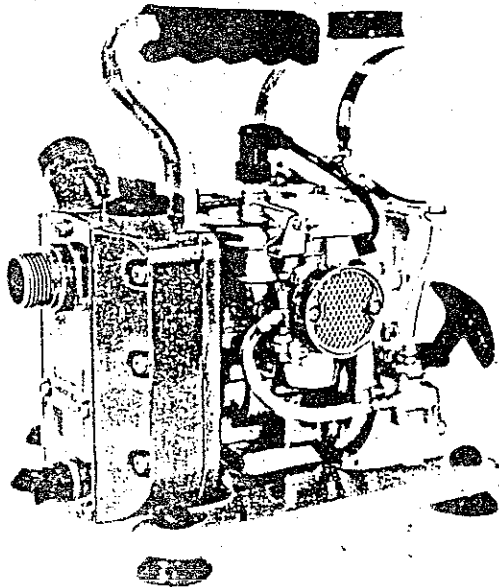
MANUFACTURERS OF SPRAYERS & DUSTERS

PHONE: (252) 2285

CABLE ADDRESS: "MARUYAMAPCA TOKYO"

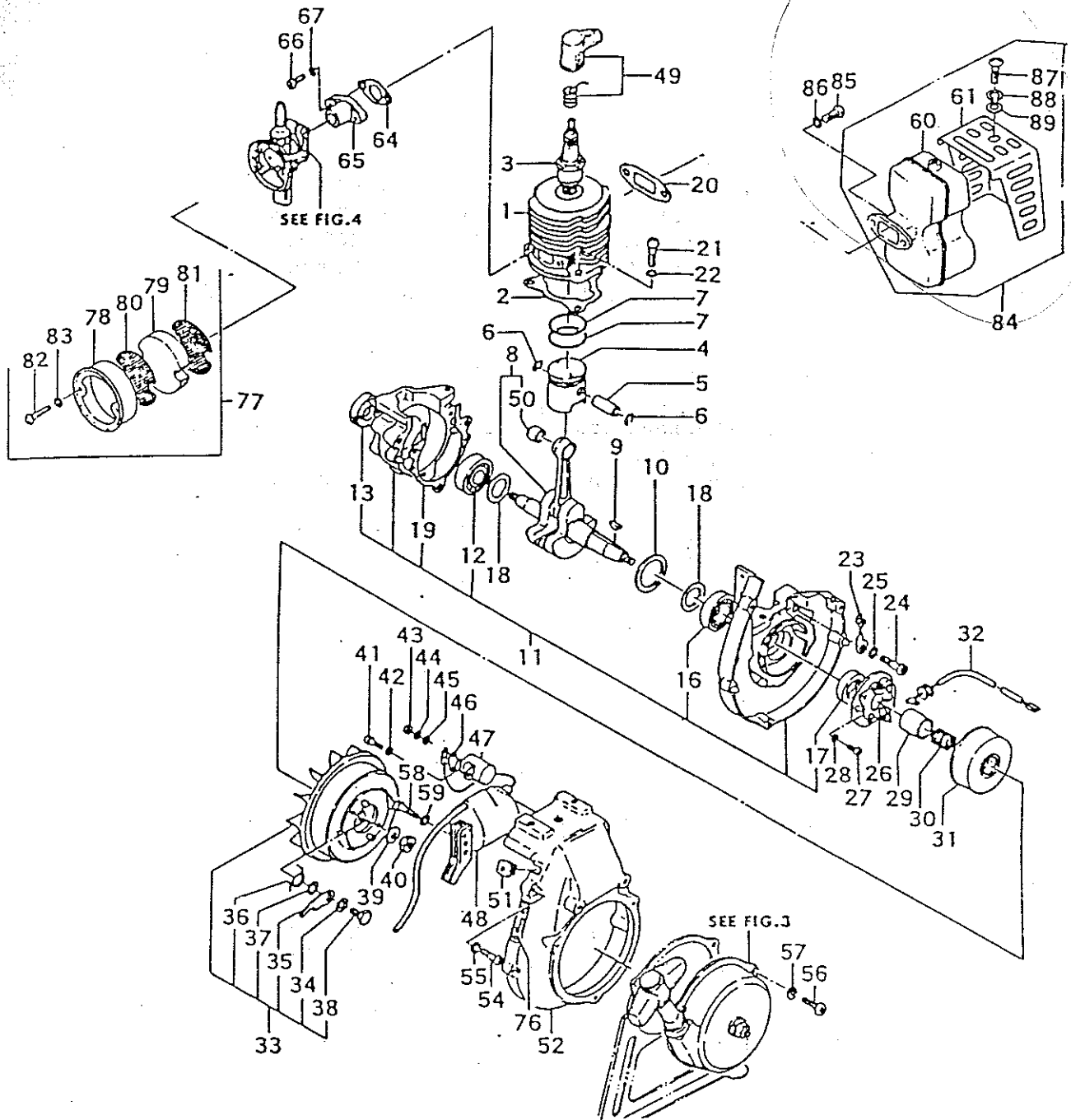
TELEX: 2222161 MMCI J

SPARE PARTS LIST



MODEL **MP230**

FIG. 1



MARUYAMA MFG. CO., INC.

FIG. 1 ENGINE

... 1 ...

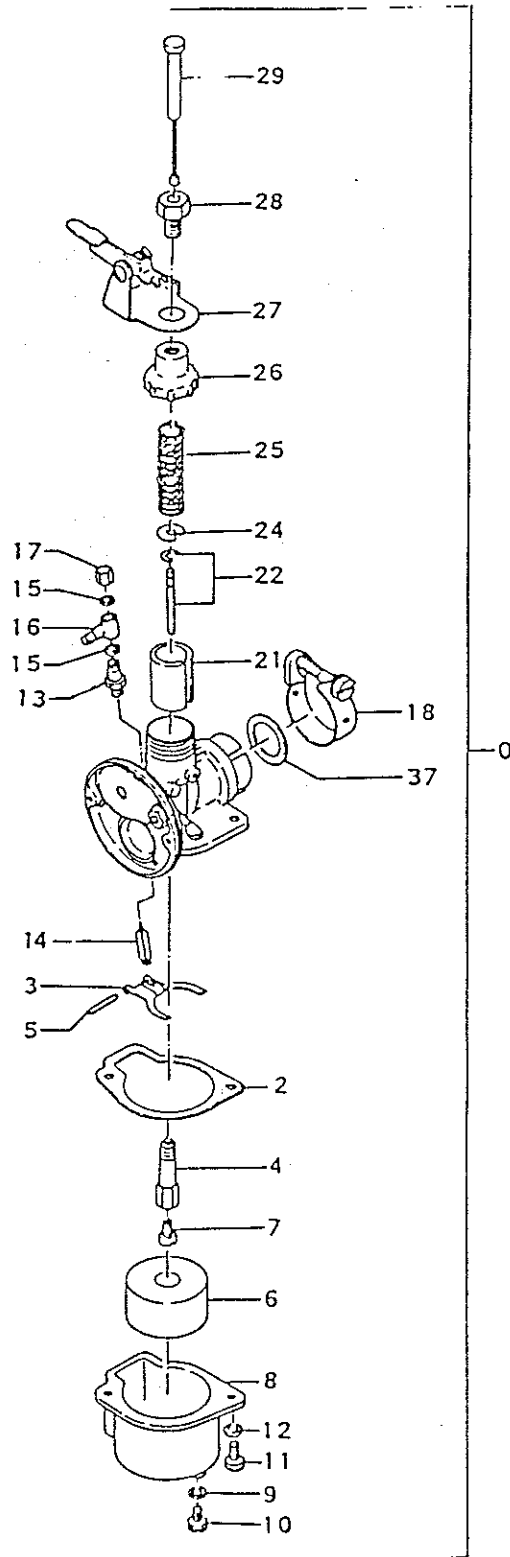
1-01	√002-00500-804	971825	Cylinder, ass'y	1
1-02	√017-00501-202	971826	Cylinder packing	1
1-03	018-00502-200	971827	Spark plug	1
1-04	√031-00500-200	971828	Piston, ass'y	1
1-05	037-00000-200	971829	Piston pin	1
1-06	039-00000-201	971831	Circlip	2
1-07	√041-00000-200	971832	Piston ring	2
1-08	046-00532-802		Crankshaft, ass'y	1
1-09	√068-02000-200	970045	Key 3x13x5	1
1-10	070-02401-201	972492	Crank shaft washer	1
1-11	072-00531-900		Crankcase, ass'y	1
1-12	999-61620-100	971928	Ball bearing	1
1-13	999-66122-821	971929	Oil seal	1
1-16	999-61600-200	971927	Ball bearing	1
1-17	√999-66152-500	971930	Oil seal	1
1-18	√070-00601-201	972309	Crankshaft washer	2
1-19	090-00501-202	971839	Crankcase packing	1
1-20	√737-00531-201	972712	Muffler packing	1
1-21	990-11060-201	971919	Screw 6x20	3
1-22	992-10060-012	073207	Spring washer	3
1-23	198-00501-200	971850	Cord retainer	1
1-24	990-11060-221	971920	Screw 6x22	3
1-25	992-10060-012	073207	Spring washer	3
1-26	159-20702-900	971845	Contact breaker, ass'y	1
1-27	990-11040-101	970131	Screw 4x10 (12)	2
1-28	992-01040-011	947009	Washer 4x10x0.8	2
1-29	246-20701-201	970065	Magneto cam	1
1-30	247-01000-201	971852	Reteiner spring, cam	1
1-31	191-00501-201	971849	Cover, contact breaker	1
1-32	173-20702-804	971847	Primary cord	1
1-33	155-21708-900		Magneto rotor, ass'y	1
1-34	√992-01050-011	947034	Washer	2
1-35	√788-00601-203	971909	Starter pawl	2
1-36	790-00601-203		Spring, starter pawl	2
1-37	√822-00601-200	971914	Shim, starter pawl	2
1-38	793-10200-201	979234	Bolt	2
1-39	065-00000-200	971834	washer, flywheel	1
1-40	066-00000-200	971835	Nut, flywheel	1
1-41	√990-11040-081	971916	Screw 4x8	1
1-42	√992-10040-012	947014	Spring washer (164)	1
1-43	991-01030-011	971922	Nut	1
1-44	992-10030-012	971925	Spring washer	1
1-45	992-01030-011	971924	Washer	1
1-46	205-00501-200	971851	Tab	1
1-47	177-20701-801	971848	Condenser, ass'y	1
1-48	√167-20710-801	971846	Ignition coil, ass'y	1
1-49	157-04000-900	972511	Plug cap, ass'y (39)	1
1-50	999-62101-401		Needle bearing	1

MARUYAMA MFG. CO., INC.

... 2 ...

1-51	202-10200-201		Secondary cord grommet	1
1-52	112-00570-200		Fan case	1
1-54	990-11050-201	971918	Screw 5x20	3
1-55	√992-10050-012	970142	Spring washer	3
1-56	990-11040-121	970132	Screw 4x12	3
1-057	√992-10040-012	947014	Spring washer (164)	3
1-58	990-11050-201	971918	Screw 5x20	2
1-59	√992-10050-012	970142	Spring washer	2
√1-60	706-00550-800		Muffler, ass'y 700-0290-8	1
1-61	738-00501-202		Muffler protector	1
1-64	√403-00001-200	971862	Packing, air inlet pipe	1
1-65	393-00005-203	990798	Air inlet pipe	1
1-66	√990-11050-161	971917	Screw 5x16	2
1-67	√992-10050-012	970142	Spring	2
1-76	908-04021-200		Chork mark	1
1-77	410-00532-900		Cleaner, ass'y	1
1-78	424-00532-200		Cleaner cap	1
1-79	421-00532-200		Cleaner sponge	1
1-80	425-00532-200		Cleaner retainer A	1
1-81	426-00532-200		Cleaner retainer B	1
1-82	990-11040-160		Screw 4x16	2
1-83	√992-10040-012	947014	Spring washer	2
√1-84	705-00532-900		Muffler, ass'y	1
1-85	990-11050-151	972373	Screw 5x15	2
1-86	√992-10050-012	970142	Spring washer	2
1-87	990-11060-081	947004	Screw 6x8	2
1-88	992-10060-012	073207	Spring washer	2
1-89	√992-01060-011	947005	Washer	2

FIG. 2



MARUYAMA MFG. CO., INC.

FIG. 2 CARBURETOR

... 3 ...

2-00	455-20440-902		Carburetor, ass'y	1
2-02	607-20400-200		Chamber packing	1
2-03	628-20400-200		Float arm	1
2-04	598-20426-200		Needle jet	1
2-05	605-20400-200		Float pin	1
2-06	604-20400-200		Float	1
2-07	599-20426-054		Main jet	1
2-08	606-20426-200		Float chamber	1
2-09	629-20400-200		Drain packing	1
2-10	627-20400-200		Drain screw	1
2-11	990-11040-100	970130	Screw 4x10	2
2-12	992-10040-002		Spring washer	2
2-13	602-20426-200		Needle seat	1
2-14	603-20400-200		Needle valve	1
2-15	500-20426-200		Banjo packing	2
2-16	499-20426-200		Banjo	1
2-17	543-20426-200		Banjo nut	1
2-18	561-20426-900		Body band, ass'y	1
2-21	591-20426-200		Throttle valve	1
2-22	592-20426-900		Jet needle, ass'y	1
2-24	619-20400-200		Throttle spring receive	1
2-25	594-20400-200	971876	Throttle valve spring	1
2-26	595-20426-200		Body cap	1
2-27	500-00532-900		Link motion arm	1
2-28	504-00532-200		Link motion nut	1
2-29	495-20426-200		Link motion cable	1
2-37	571-20400-200	971872	Packing, carburetor	1

FIG. 3

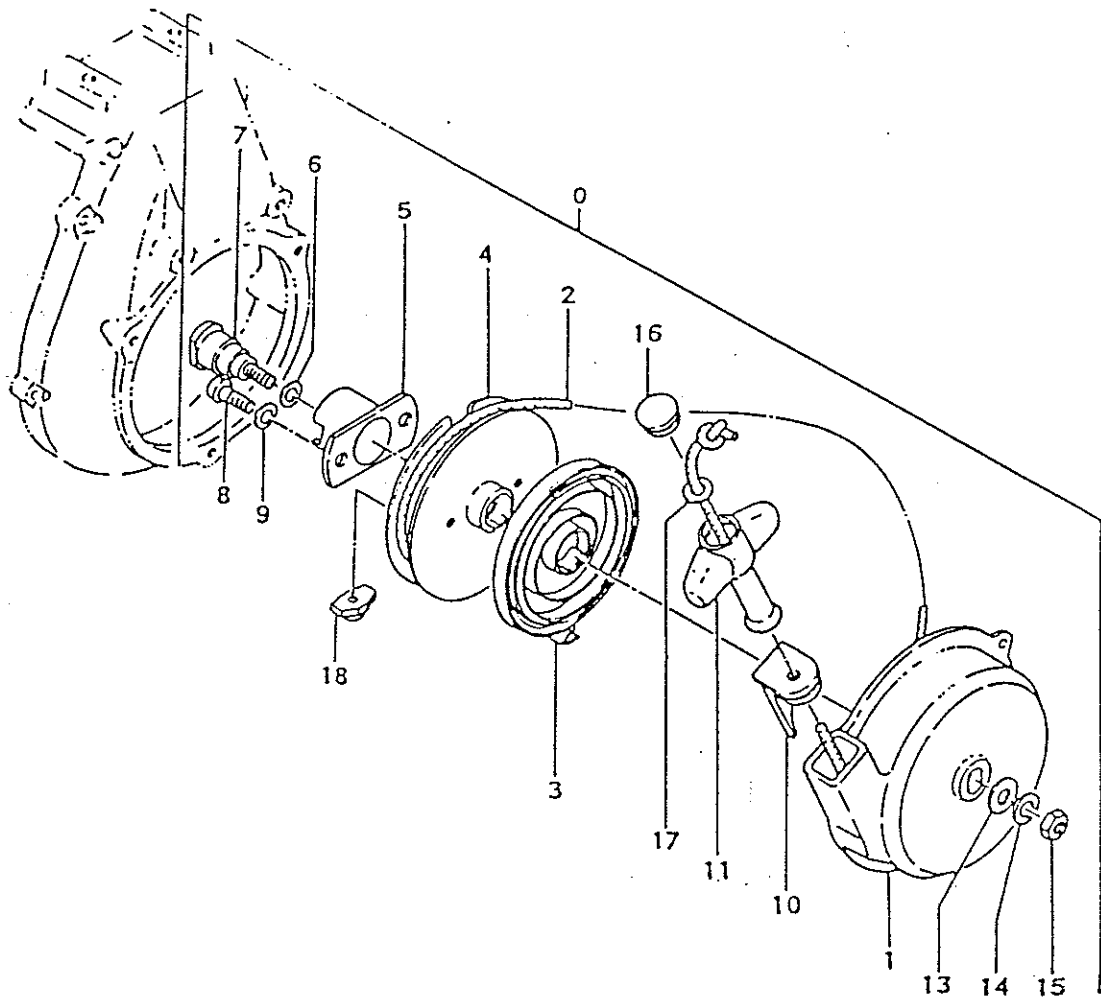


FIG.3 RECOIL STARTER

... 4 ...

3-00	756-00570-900		Recoil starter, ass'y	1	3,120
3-01	772-00570-200		Recoil starter body	1	960
3-02	783-01006-201	971907	Rope	1	200
✓ 3-03	779-01006-201		Recoil spring 779-0030-2	1	420
3-04	774-01006-204		Starter pulley	1	700
3-05	773-01006-206	971902	Pulley shaft (outer)	1	300
3-06	814-00500-200	971912	Starter pulley shim	1	40
3-07	776-01006-207	971904	Pulley shaft	1	290
3-08	990-11050-101	970135	Screw 5x10	2	10
3-09	✓ 992-01050-011	947034	Washer	2	11
3-10	780-01006-201	971906	Handle receiver	1	170
3-11	✓ 785-10207-201	975704	Starter handle	1	270
3-13	✓ 992-01060-011	947005	Washer	1	5
3-14	992-10060-012	073207	Spring washer	1	20
3-15	991-01060-001	910696	Nut	1	15
3-16	✓ 833-10207-200	975705	Starter handle cap	1	25
3-17	992-01040-011	947009	Washer	1	5
3-18	782-00546-200		Rope reciever	1	25

FIG. 4

FIG. 4. TANK

4-01
4-02
4-03

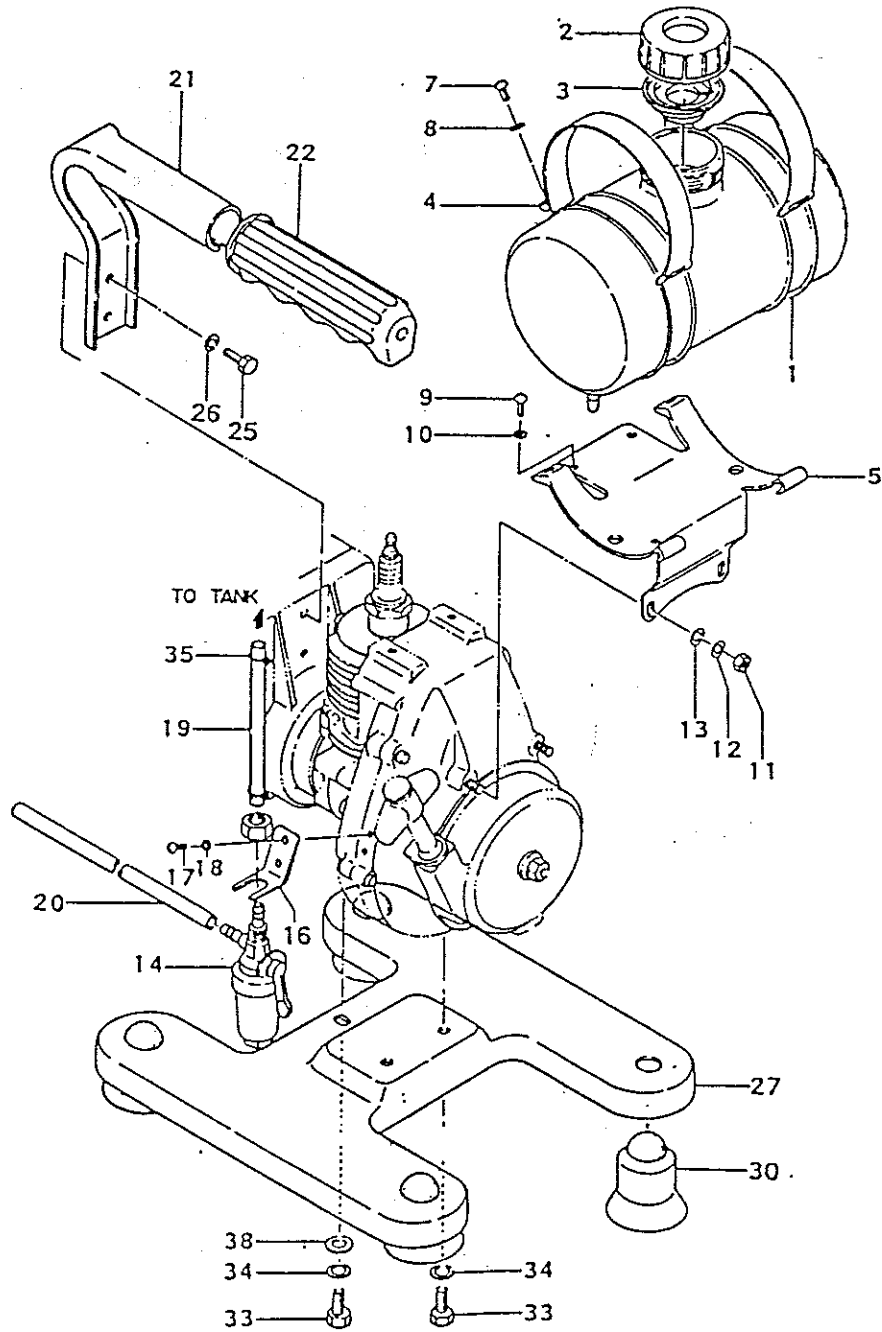


FIG.4 TANK, CARRYING HANDLE, & BASE

... 5 ...

4-01	√591-10206-200	570920	Tank, ass'y	1
4-02	628-00532-201	971935	Tank cap	1
4-03	629-01014-200	570921	Tank cap plug	1
4-04	648-00532-203	971936	Band, fuel tank	2
4-05	607-00570-800	570922	Fitting metal, fuel tank	1
4-07	990-11050-121	947035	Screw	2
4-08	992-01050-012	971943	Washer	2
4-09	990-11050-121	947035	Screw 5x12	2
4-10	√992-10050-012	970142	Spring washer	2
4-11	991-01050-001	971942	Nut	2
4-12	992-10050-011	910018	Spring washer	2
4-13	992-01050-012	971943	Washer	2
4-14	√592-00002-901	570923	Cock, ass'y	1
4-16	662-00532-201	971938	Cock fitting	1
4-17	990-11050-101	970135	Screw 5x10	2
4-18	√992-10050-012	970142	Spring washer	2
4-19	700-05008-095	971939	Fuel pipe	1
4-20	700-05008-140	570924	Fuel pipe	1
4-21	090-31200-802	570925	Handle, ass'y	1
4-22	266-30600-201	570926	Handle grip	1
4-25	990-21060-121	998131	Bolt 6x12	2
4-26	992-10060-012	073207	Spring washer	2
4-27	080-31200-201	570927	Bed	1
4-30	312-31700-201	570928	Cushion rubber	4
4-33	990-21060-121	998131	Bolt 6x12	3
4-34	992-10060-012	073207	Spring washer	3
4-35	680-01004-200	570929	Clip	2
4-38	√992-01060-011	947005	Washer	1

FIG. 5

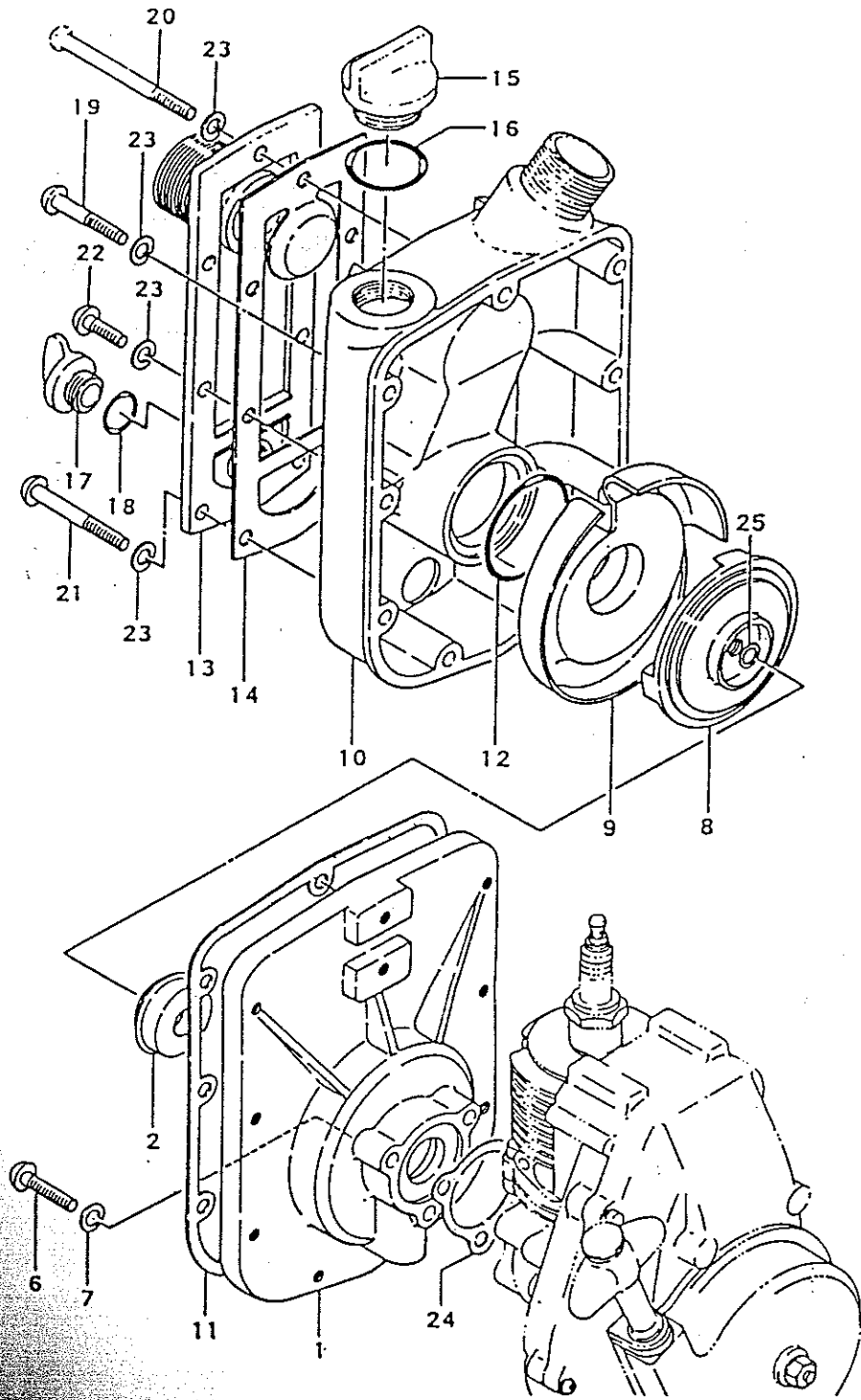
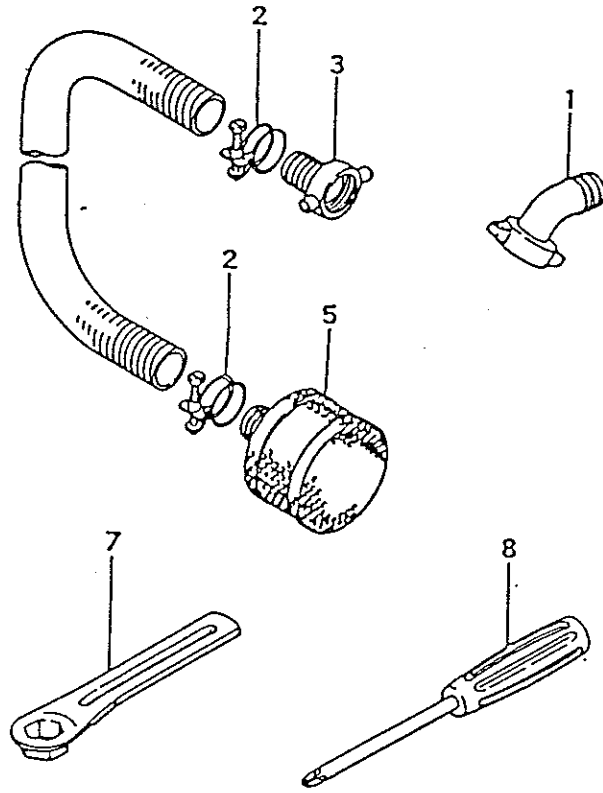


FIG.5 PUMP

... 6 ...

5-01	300-31200-211		End plate	1
5-02	160-31200-915		Mechanical seal	1
5-06	990-11060-281		Plus screw	3
5-07	992-01060-012		Washer	3
5-08	√031-31200-200	570934	Impeller	1
5-09	310-31200-200	998462	Chamber NLA	1
5-10	330-31200-200		Casing	1
5-11	331-31200-202		Casing packing	1
5-12	999-67035-010		O-ring	1
5-13	320-31200-812		Suction plate, ass'y	1
5-14	350-31200-800		Suction plate packing	1
5-15	360-31200-210		Plug	1
5-16	999-67025-500		O-ring	1
5-17	021-31200-200		Drain plug	1
5-18	999-67015-000		O-ring	1
5-19	990-11060-421		Screw 6x42	6
5-20	990-11060-601		Screw 6x60x15	1
5-21	990-11060-601		Screw 6x60x15	2
5-22	990-11060-161	972672	Screw 6x16	4
5-23	992-01060-012		Washer	13
5-24	303-00200-200		Gear case packing	1
5-25	034-31200-230		Impeller shaft shim 0.2	1
5-25	034-31200-240		Impellar shaft shim 0.3	1
5-25	034-31200-250	979503	Impellar shaft shim 0.5	1
5-25	034-31200-270		Impellar shaft shim 1.0	1

FIG. 6



MARUYAMA MFG. CO., INC.

FIG. 6 TOOLS & OPTIONAL PARTS

... 7 ...

6-01	050-31215-900		Water coupling, ass'y	1
6-02	132-31223-200		Wire band	4
6-03	050-31200-901		Water coupling, ass'y	1
6-05	100-31200-800		Filter, ass'y	1
6-07	851-20000-201	971941	Box spanner 19MM	1
5-08	862-20000-200	977420	Screwdriver	1



Maruyama U.S., Inc.
3570 Shelby Lane
Denton, TX 76207
940-383-7400 voice
940-383-7466 fax

www.maruyama-us.com