

PARTS LIST

MD6026

CONTENTS

| | |
|---------------------------------------|-------|
| 1• MAIN BODY | 1~ 2 |
| 2• FAN CASE | 3~ 6 |
| 3• ENGINE (CYLINDER, CRANKCASE) | 7~10 |
| 4• ENGINE (CARBURETOR, MUFFLER) | 11~14 |
| 5• ACCESSORIES | 15~16 |

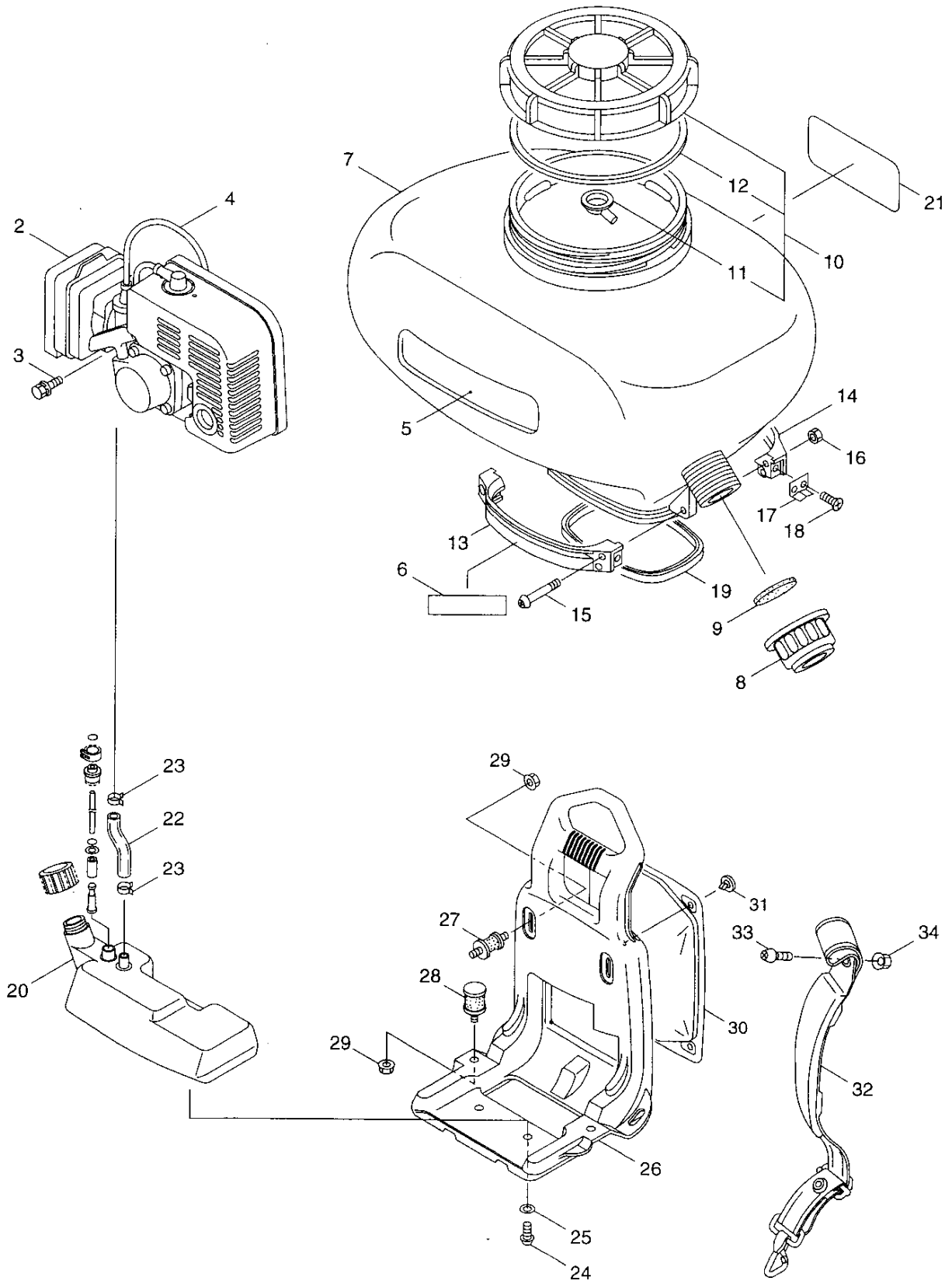
1998.6.



MARUYAMA

P/N 520979

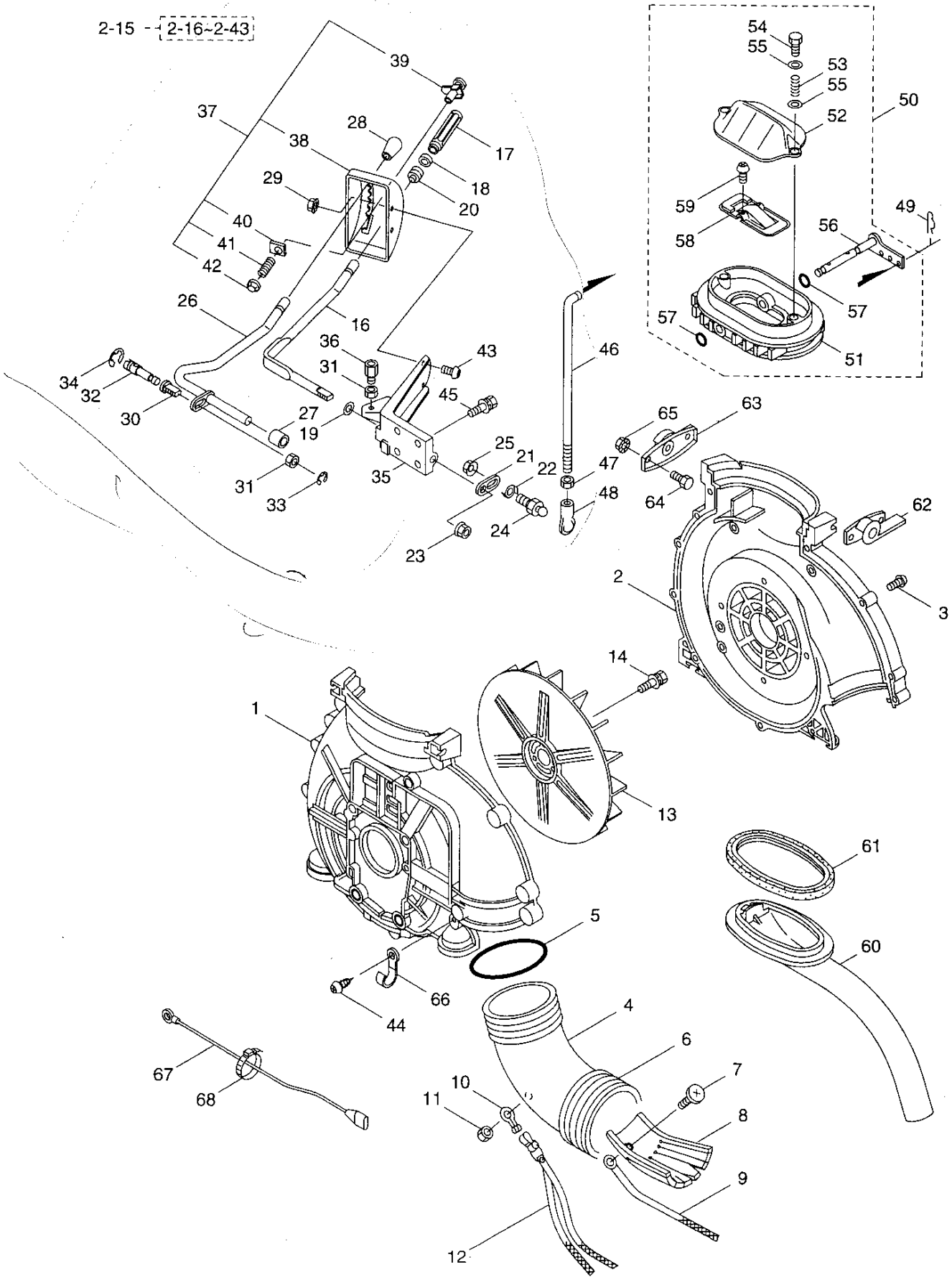
1.MD6026 MAIN BODY



| Ref. No. | Parts No. | Parts Name | Q' ty | Remarks |
|----------|-----------|--------------------|-------|------------------|
| 1-1 | 352577 | MD6026 | 1 | |
| 1-2 | 119711 | Engine | 1 | TE59M |
| 1-3 | 092544 | Bolt | 6 | M6X30 |
| 1-4 | 570250 | Throttle Wire | 1 | 107626 |
| 1-5 | 106240 | Label | 1 | MARUYAMA |
| 1-6 | 119720 | Label | 1 | MD6026 |
| 1-7 | 108635 | Chemical Tank | 1 | 26L |
| 1-8 | 108627 | Cap, hose joint | 1 | |
| 1-9 | 108636 | Packing | 1 | φ 45.5 |
| 1-10 | 092206 | Cap, chemical tank | 1 | Incl. 11,12 |
| 1-11 | 101915 | Inner Cap | 1 | |
| 1-12 | 103194 | Packing | 1 | |
| 1-13 | 107473 | Tank Bracket (E) | 1 | |
| 1-14 | 107475 | Tank Bracket (S) | 1 | |
| 1-15 | 088348 | Screw | 4 | M6X45 |
| 1-16 | 081241 | Nut | 4 | M6 |
| 1-17 | 106239 | Hook | 2 | |
| 1-18 | 087970 | Screw | 4 | M5X14 |
| 1-19 | 107888 | Packing | 1 | |
| 1-20 | 120152 | Fuel Tank | 1 | |
| 1-21 | 107639 | Label | 1 | |
| 1-22 | 116751 | Vinyl Pipe | 1 | φ 8X φ 12X70L |
| 1-23 | 043832 | Hose Band | 2 | |
| 1-24 | 081414 | Screw | 2 | M5X14 |
| 1-25 | 015479 | Washer | 2 | φ 5.3X φ 16Xt1.6 |
| 1-26 | 117929 | Backpack Frame | 1 | |
| 1-27 | 101877 | Buffer | 2 | |
| 1-28 | 108556 | Buffer | 2 | |
| 1-29 | 109704 | Nut | 4 | M6 |
| 1-30 | 107482 | Cushion Pad | 1 | |
| 1-31 | 100749 | Fastener | 4 | #7 |
| 1-32 | 119668 | Knapsack Strap | 2 | |
| 1-33 | 083445 | Bolt | 2 | M6X16 |
| 1-34 | 550132 | Nut | 2 | M6 |
| | | | | |
| | | | | |

2.MD6026 FAN CASE

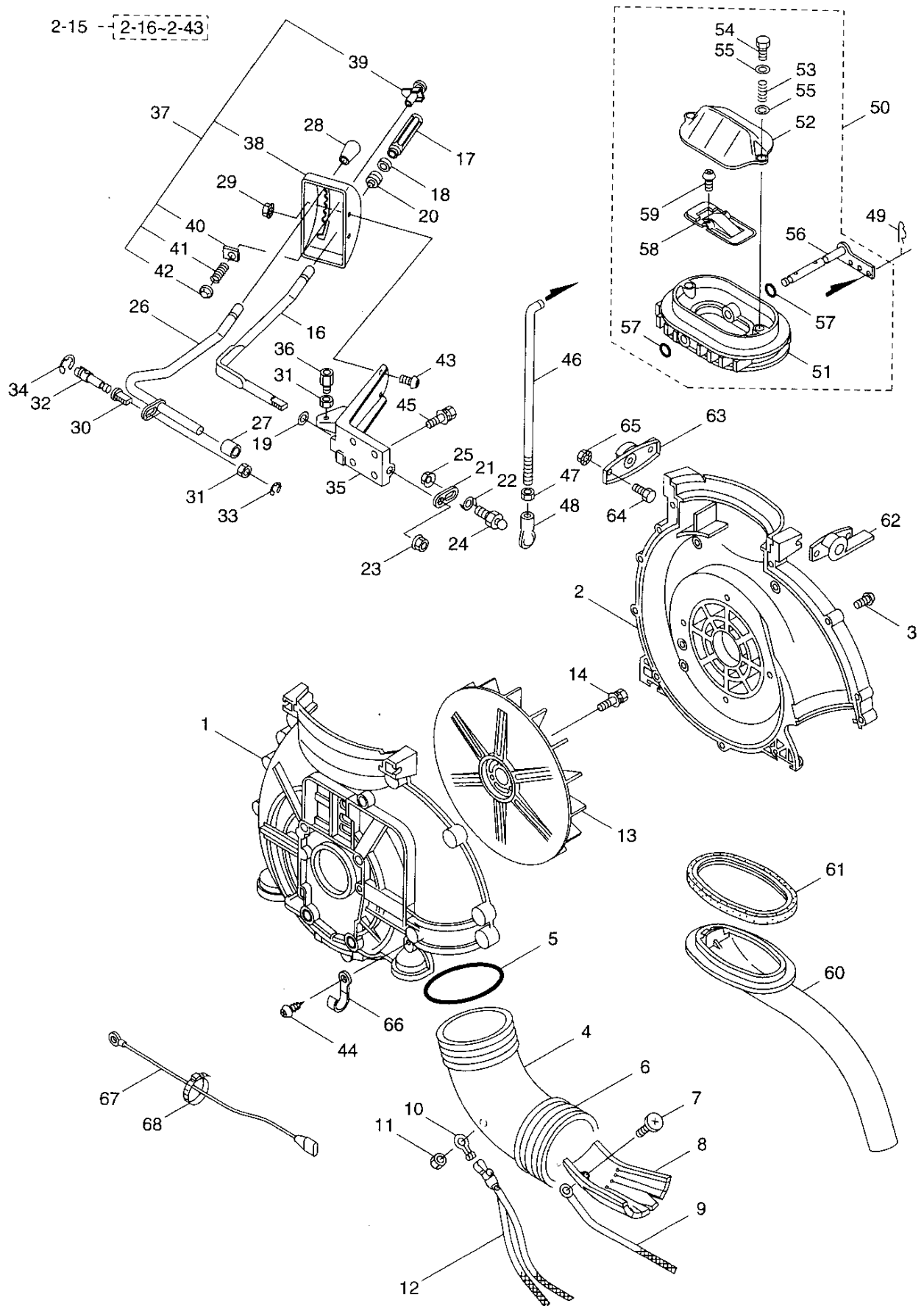
2-15 -- 2-16~2-43



| Ref. No. | Parts No. | Parts Name | Q' ty | Remarks |
|----------|-----------|----------------------|-------|----------------------------|
| 2-1 | 119956 | Fan Case (E) | 1 | |
| 2-2 | 119957 | Fan Case (S) | 1 | |
| 2-3 | 089578 | Screw | 13 | M5X28 |
| 2-4 | 107741 | Elbow Pipe | 1 | |
| 2-5 | 018236 | O-Ring | 1 | V85 |
| 2-6 | 100238 | Rubber Joint | 1 | |
| 2-7 | 119417 | Screw | 1 | M6 |
| 2-8 | 119416 | Reinforced Plate | 1 | |
| 2-9 | 100293 | Earth Code | 1 | |
| 2-10 | 101608 | Clamp | 1 | |
| 2-11 | 081241 | Nut | 1 | M6 |
| 2-12 | 101252 | Earth | 1 | |
| 2-13 | 107420 | Fan | 1 | |
| 2-14 | 092536 | Bolt | 3 | M6X25 |
| 2-15 | 107627 | Lever Ass'y | 1 | Incl. 16~43 |
| 2-16 | 106215 | Shutter Lever | 1 | |
| 2-17 | 100632 | Knob | 1 | |
| 2-18 | 100633 | Snap | 1 | |
| 2-19 | 012489 | Washer | 1 | M8 |
| 2-20 | 100726 | Cap | 1 | |
| 2-21 | 108570 | Lever Arm | 1 | |
| 2-22 | 108571 | Stopper | 1 | |
| 2-23 | 101804 | Nut | 1 | M8 |
| 2-24 | 109606 | Male Universal Joint | 1 | |
| 2-25 | 261077 | Nut, rotor | 1 | M6 |
| 2-26 | 107628 | Throttle Lever | 1 | |
| 2-27 | 108073 | Collar | 1 | ϕ 6.5X ϕ 10.5X6L |
| 2-28 | 028612 | Knob | 1 | |
| 2-29 | 100420 | Nut | 2 | M6 |
| 2-30 | 107845 | Spacer | 1 | |
| 2-31 | 081032 | Nut | 2 | M6 |
| 2-32 | 107631 | Cable Stop | 1 | |
| 2-33 | 107846 | Snap Ring | 1 | #2.5 |
| 2-34 | 013525 | Snap Ring | 1 | #6 |
| 2-35 | 109053 | Bracket | 1 | |
| 2-36 | 102309 | Outer Receiver | 1 | |
| 2-37 | 106220 | Dial Plate Ass'y | 1 | Incl. 38~42 |
| 2-38 | 106221 | Dial Plate | 1 | |
| 2-39 | 106223 | Knob | 1 | |
| 2-40 | 103773 | Plate | 1 | |
| 2-41 | 103774 | Spring | 1 | |
| 2-42 | 105783 | Nut | 1 | |
| 2-43 | 081454 | Screw | 2 | M6X14 |
| 2-44 | 089806 | Screw | 1 | M5X10 |
| 2-45 | 092548 | Bolt | 4 | M5X15 |

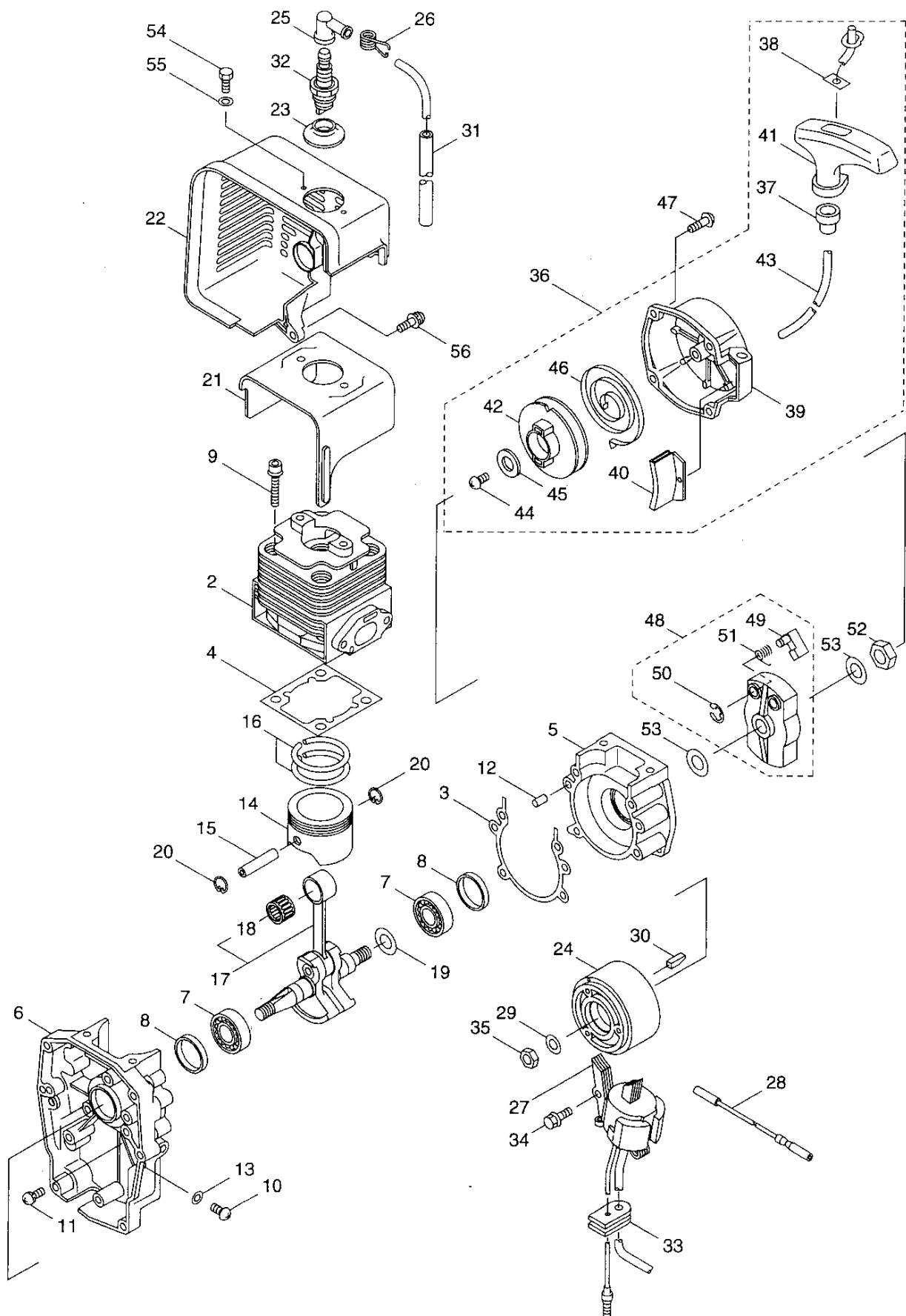
2.MD6026 FAN CASE

2-15 -- 2-16~2-43



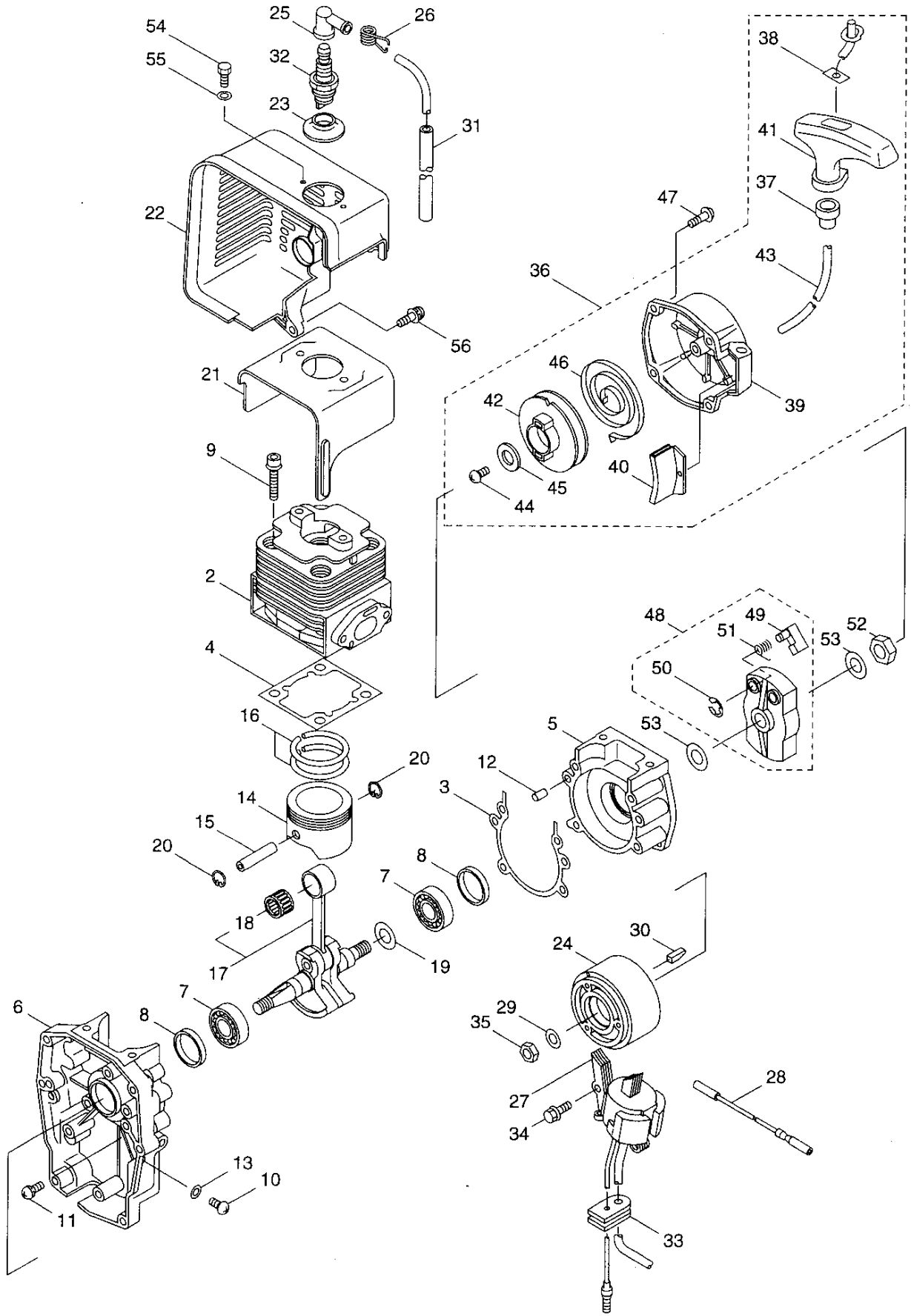
| Ref. No. | Parts No. | Parts Name | Q' ty | Remarks |
|----------|-----------|---|-------|------------------|
| 2-46 | 107899 | Joint Rod | 1 | |
| 2-47 | 081031 | Nut | 1 | M6 |
| 2-48 | 020584 | Female Universal Joint | 1 | |
| 2-49 | 107609 | Snap Pin | 1 | |
| 2-50 | 107743 | Shutter Ass'y | 1 | Incl. 51~59 |
| 2-51 | 114231 | Shutter Case | 1 | |
| 2-52 | 102078 | Shutter Cover | 1 | |
| 2-53 | 107621 | Spring | 2 | |
| 2-54 | 089036 | Bolt | 2 | M5X35X7.5 |
| 2-55 | 107745 | Washer | 4 | φ 5.5X φ 12X10.8 |
| 2-56 | 107617 | Link Shaft | 1 | |
| 2-57 | 022056 | O-Ring | 2 | P7 |
| 2-58 | 107623 | Shutter | 1 | |
| 2-59 | 088313 | Screw | 2 | M4X10 |
| 2-60 | 117048 | Discharge Port (122527) (122232) | 1 | |
| 2-61 | 108016 | Packing | 1 | |
| 2-62 | 117712 | Crescent (R) | 1 | |
| 2-63 | 117713 | Crescent (L) | 1 | |
| 2-64 | 089041 | Bolt | 4 | M6X16 |
| 2-65 | 104309 | Nut | 4 | M6 |
| 2-66 | 109051 | Clamp | 1 | |
| 2-67 | 108634 | Earth Code | 1 | |
| 2-68 | 108954 | Band | 1 | |
| | | | | |
| | | | | |
| | | | | |
| | | | | |

3.MD6026 ENGINE CYLINDER,CRANKCASE



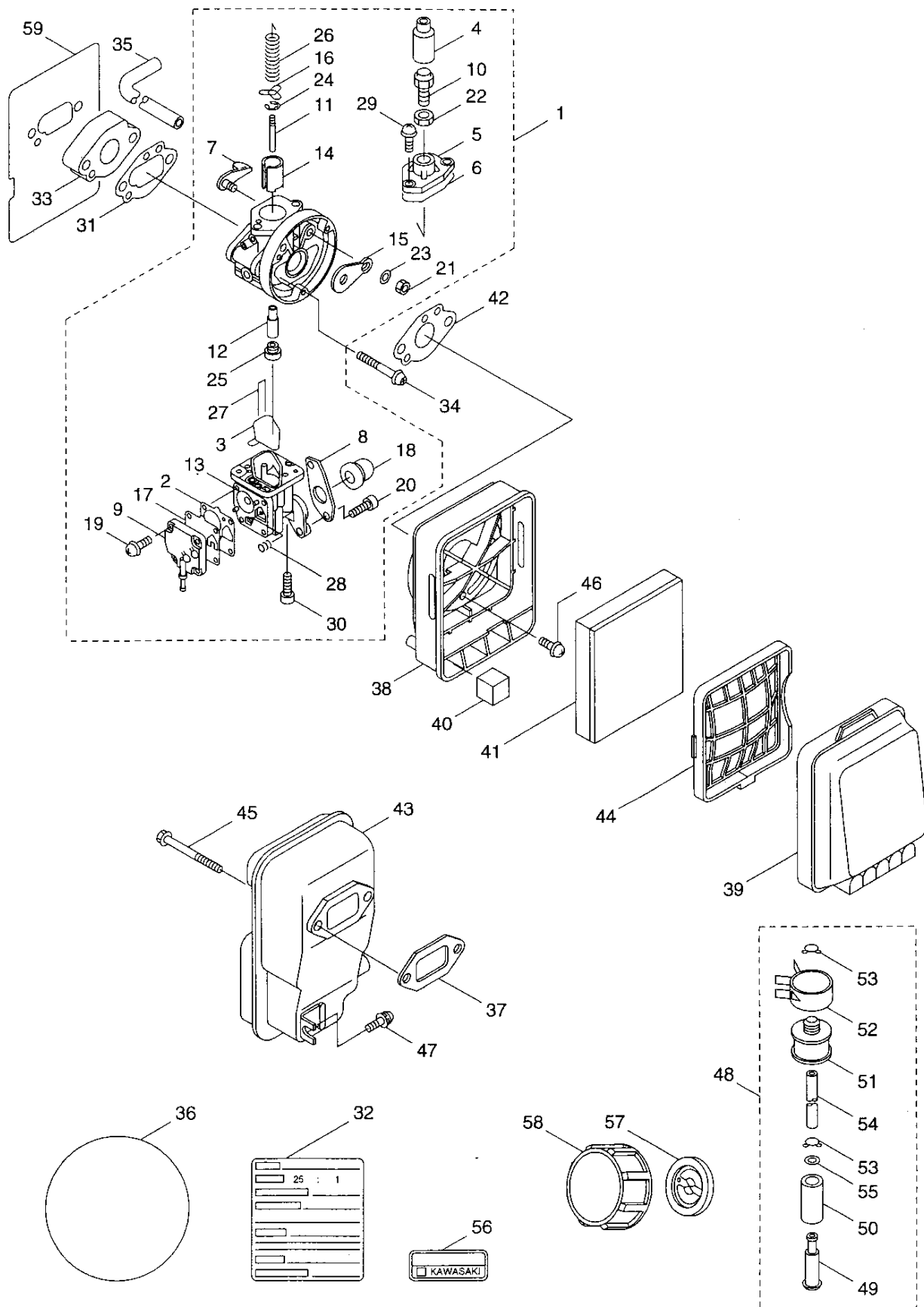
| Ref. No. | Parts No. | Parts Name | Q' ty | Remarks | |
|----------|-----------|----------------------|-------|-------------|-------------|
| 3-1 | 119711 | Engine | 1 | TE059M-AG20 | |
| 3-2 | 627495 | Cylinder | 1 | | |
| 3-3 | 998401 | Gasket | 1 | | |
| 3-4 | 627496 | Gasket | 1 | | |
| 3-5 | 998399 | Crankcase | 1 | | |
| 3-6 | 998400 | Crankcase | 1 | 6203C3 | |
| 3-7 | 620248 | Bearing | 2 | | |
| 3-8 | 071335 | Oil Seal | 2 | | |
| 3-9 | 943288 | Bolt | 4 | | |
| 3-10 | 944619 | Screw | 1 | | M6X8 |
| 3-11 | 599880 | Screw | 4 | M6X30 | |
| 3-12 | 943349 | Pin | 2 | | |
| 3-13 | 943893 | Gasket | 1 | | |
| 3-14 | 627497 | Piston | 1 | | |
| 3-15 | 944769 | Piston Pin | 1 | | |
| 3-16 | 627498 | Piston Ring Set | 1 | Incl. 18 | |
| 3-17 | 573118 | Crankshaft Ass'y | 1 | | |
| 3-18 | 597289 | Needle Bearing | 1 | | |
| 3-19 | 573119 | Shim | AR | | t=0.1 |
| 3-19 | 573120 | Shim | AR | | t=0.2 |
| 3-19 | 573121 | Shim | AR | t=0.4 | |
| 3-19 | 573122 | Shim | AR | | t=0.6 |
| 3-20 | 943307 | Snap Ring | 2 | | |
| 3-21 | 591320 | Shroud | 1 | | |
| 3-22 | 620249 | Shroud | 1 | | |
| 3-23 | 998412 | Plug Cap Cover | 1 | | |
| 3-24 | 620250 | Flywheel | 1 | | |
| 3-25 | 591532 | Spark Plug Cap | 1 | | |
| 3-26 | 591533 | Spring | 1 | | |
| 3-27 | 597262 | Ignition Coil | 1 | | |
| 3-28 | 597263 | Lead Wire | 1 | | |
| 3-29 | 943924 | Washer | 1 | | |
| 3-30 | 998409 | Key | 1 | | |
| 3-31 | 998411 | Tube | 1 | | |
| 3-32 | 597292 | Spark Plug | 1 | | BPM7A |
| 3-33 | 597293 | Grommet | 1 | M5X20 | |
| 3-34 | 943457 | Bolt | 2 | | |
| 3-35 | 998410 | Nut | 1 | | 10mm |
| 3-36 | 998413 | Recoil Starter Ass'y | 1 | | Incl. 37~46 |
| 3-37 | 998438 | Rope Guide | 1 | | |
| 3-38 | 944502 | Plate | 1 | | |
| 3-39 | 998439 | Recoil Case | 1 | | |
| 3-40 | 998440 | Recoil Case | 1 | | |
| 3-41 | 998437 | Starter Handle | 1 | | |
| 3-42 | 998434 | Reel | 1 | | |

3.MD6026 ENGINE CYLINDER,CRANKCASE



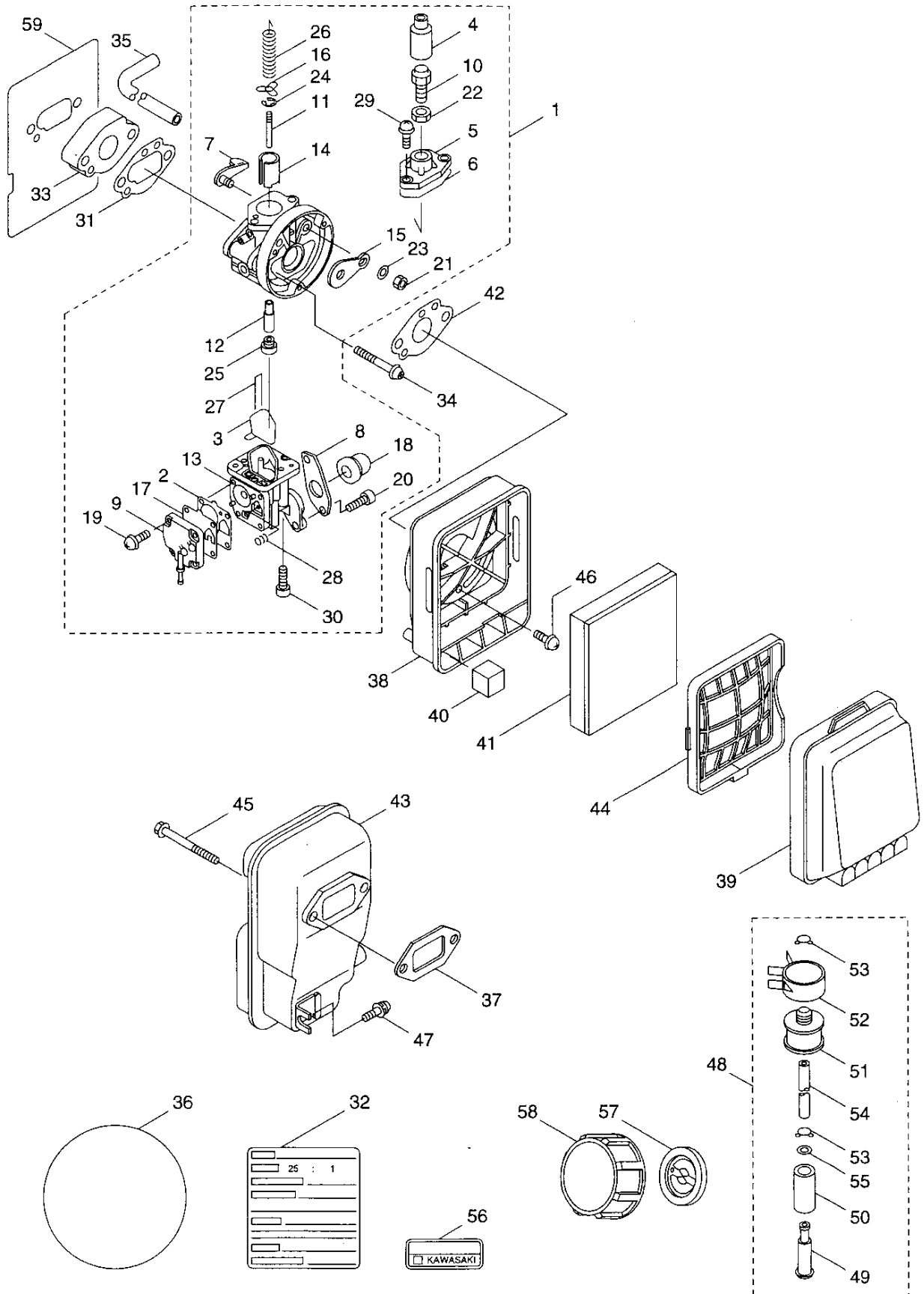
| Ref. No. | Parts No. | Parts Name | Q' ty | Remarks |
|----------|-----------|---------------|-------|----------------------------|
| 3-43 | 998436 | Rope | 1 | |
| 3-44 | 944801 | Screw | 1 | |
| 3-45 | 998433 | Washer | 1 | |
| 3-46 | 998435 | Spiral Spring | 1 | |
| 3-47 | 943275 | Screw | 4 | M4X16 |
| 3-48 | 998414 | Pulley | 1 | Incl. 49~51 |
| 3-49 | 572938 | Pawl | 1 | |
| 3-50 | 944226 | E-Ring | 1 | |
| 3-51 | 998416 | Return Spring | 1 | |
| 3-52 | 998417 | Nut | 1 | |
| 3-53 | 071344 | Washer | 2 | |
| 3-54 | 627549 | Bolt | 2 | |
| 3-55 | 578488 | Washer | 2 | ϕ 6.5X ϕ 16Xt1.6 |
| 3-56 | 580184 | Screw | 1 | |
| | | | | |
| | | | | |
| | | | | |
| | | | | |
| | | | | |
| | | | | |
| | | | | |
| | | | | |

4. MD6026 ENGINE CARBURETOR, MUFFLER



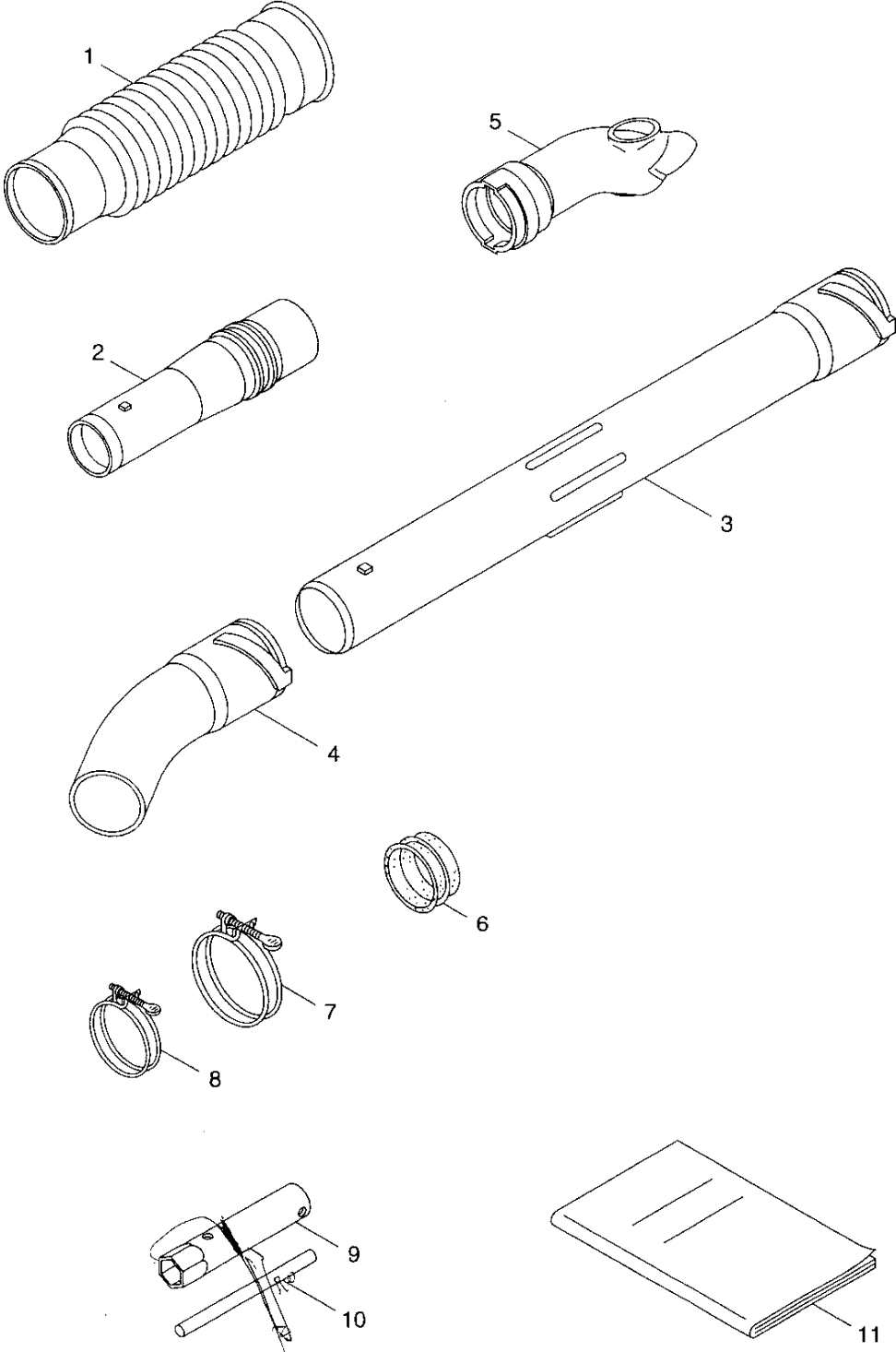
| Ref. No. | Parts No. | Parts Name | Q' ty | Remarks | |
|----------|-----------|------------------|-------|------------|-------|
| 4-1 | 627551 | Carburetor Ass'y | 1 | Incl. 2~30 | |
| 4-2 | 591541 | Gasket | 1 | | |
| 4-3 | 998424 | Gasket | 1 | | |
| 4-4 | 944642 | Cap | 1 | | |
| 4-5 | 597295 | Body Cap | 1 | | |
| 4-6 | 597296 | Gasket | 1 | | |
| 4-7 | 998421 | Choke Lever | 1 | | |
| 4-8 | 578508 | Plate | 1 | | |
| 4-9 | 597300 | Pump Cover | 1 | | |
| 4-10 | 944349 | Cable Adjuster | 1 | | |
| 4-11 | 627552 | Jet Needle | 1 | | |
| 4-12 | 998422 | Needle Jet | 1 | | |
| 4-13 | 998427 | Float Chamber | 1 | | |
| 4-14 | 943325 | Throttle Valve | 1 | | |
| 4-15 | 944689 | Choke Valve | 1 | | |
| 4-16 | 597303 | Spring Retainer | 1 | | |
| 4-17 | 570256 | Diaphragm | 1 | | |
| 4-18 | 998432 | Priming Pump | 1 | | |
| 4-19 | 591561 | Screw | 4 | | |
| 4-20 | 998430 | Screw | 2 | | |
| 4-21 | 591564 | Lock Nut | 1 | | |
| 4-22 | 944348 | Lock Nut | 1 | | |
| 4-23 | 597306 | Spring Washer | 1 | | |
| 4-24 | 591566 | Needle Clip | 1 | | |
| 4-25 | 998423 | Main Jet | 1 | | #68 |
| 4-26 | 998420 | Throttle Spring | 1 | | |
| 4-27 | 998429 | Wire | 1 | | |
| 4-28 | 998426 | Spring | 2 | | |
| 4-29 | 943914 | Screw | 2 | | M4X12 |
| 4-30 | 998428 | Screw | 2 | | M4X30 |
| 4-31 | 597298 | Gasket | 1 | | |
| 4-32 | 627553 | Label | 1 | | |
| 4-33 | 998404 | Insulator | 1 | | |
| 4-34 | 943274 | Screw | 2 | | M6X45 |
| 4-35 | 998405 | Tube | 1 | | |
| 4-36 | 579530 | Label | 1 | | |
| 4-37 | 584743 | Gasket | 1 | | |
| 4-38 | 998389 | Air Filter Case | 1 | | |
| 4-39 | 998390 | Air Filter Cap | 1 | | |
| 4-40 | 597309 | Element | 1 | | |
| 4-41 | 624843 | Element | 1 | | |
| 4-42 | 597310 | Gasket | 1 | | |
| 4-43 | 573117 | Muffler Ass'y | 1 | | |
| 4-44 | 624844 | Grate | 1 | | |
| 4-45 | 577390 | Bolt | 2 | | |

4.MD6026 ENGINE CARBURETOR,MUFFLER



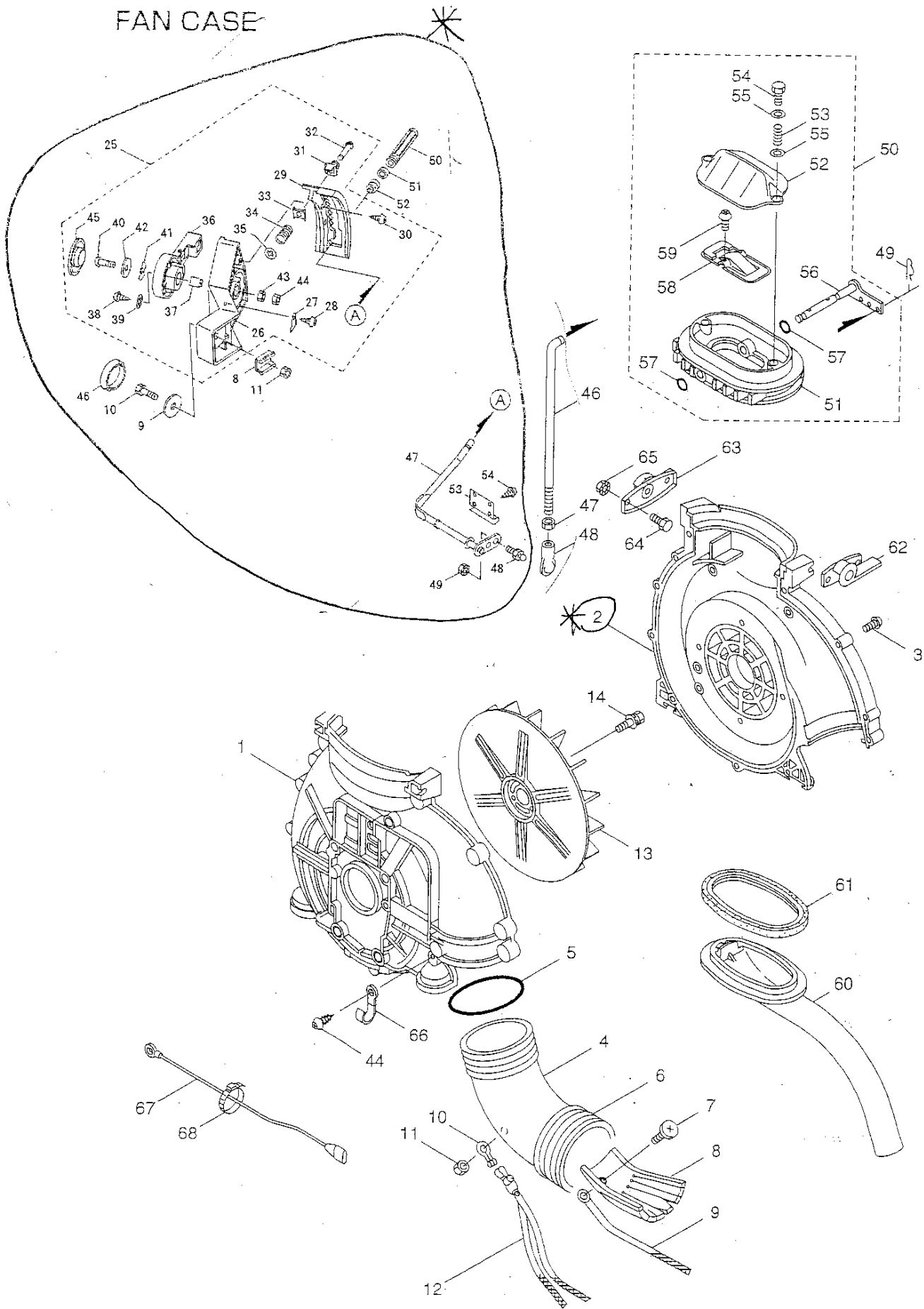
| Ref. No. | Parts No. | Parts Name | Q'ty | Remarks |
|----------|-----------|-------------------|------|--------------------|
| 4-46 | 944125 | Screw | 3 | M4X12 |
| 4-47 | 943276 | Screw | 1 | M6X14 |
| 4-48 | 998419 | Fuel Filter Ass'y | 1 | Incl. 49~55 107636 |
| 4-49 | 573069 | Weight | 1 | |
| 4-50 | 573070 | Element | 1 | |
| 4-51 | 944842 | Joint | 1 | |
| 4-52 | 597312 | Clip | 1 | |
| 4-53 | 584759 | Clip | 2 | |
| 4-54 | 944844 | Tube | 1 | |
| 4-55 | 944841 | Washer | 1 | |
| 4-56 | 627554 | Label | 1 | |
| 4-57 | 944268 | Breather | 1 | |
| 4-58 | 573071 | Cap | 1 | |
| 4-59 | 627550 | Gasket | 1 | |
| | | | | |
| | | | | |
| | | | | |
| | | | | |
| | | | | |
| | | | | |
| | | | | |
| | | | | |

5.MD6026
ACCESSORIES



| Ref. No. | Parts No. | Parts Name | Q' ty | Remarks |
|----------|-----------|--------------------|-------|-------------------------------|
| 5-1 | 115254 | Flexible Pipe | 1 | 600L |
| 5-2 | 106721 | Swivel Pipe | 1 | |
| 5-3 | 107149 | Straight Pipe | 1 | |
| 5-4 | 106725 | Bent Pipe | 1 | |
| 5-5 | 119254 | Y-Blow Head | 1 | |
| 5-6 | 020675 | Pipe Band | 1 | #105 #78 19 φ 8X150L |
| 5-7 | 100865 | Wire Clamp | 1 | |
| 5-8 | 100753 | Wire Clamp | 1 | |
| 5-9 | 107747 | Box Spanner | 1 | |
| 5-10 | 012723 | Handle | 1 | |
| 5-11 | 119721 | Instruction Manual | 1 | |
| | | | | |
| | | | | |
| | | | | |
| | | | | |
| | | | | |
| | | | | |
| | | | | |

2.MD6026
FAN CASE



Revised MD6026 Fan Case / Lever assy

| | | |
|------|--------|----------------------|
| *-2 | 117903 | FAN CASE(S) |
| *-8 | 110865 | WASHER |
| *-9 | 65413 | WASHER |
| *-10 | 80129 | SCREW, HEX <M 8X 25> |
| *-11 | 81040 | NUT |
| *-25 | 116541 | LEVER ASSY |
| *-26 | 116521 | SUPPORT |
| *-27 | 111712 | PLATE |
| *-28 | 86053 | TAPPING SCREW |
| *-29 | 110645 | DIAL PLATE |
| *-30 | 86062 | TAPPING SCREW |
| *-31 | 111232 | STOPPER |
| *-32 | 111234 | PIN |
| *-33 | 111233 | PLATE |
| *-34 | 103774 | SPRING |
| *-35 | 105783 | PUSH NUT |
| *-36 | 110648 | THROTTLE LEVER |
| *-37 | 110650 | COLLAR |
| *-38 | 82690 | TAPPING SCREW |
| *-39 | 111922 | WASHER |
| *-40 | 81457 | SCREW |
| *-41 | 111156 | WASHER |
| *-42 | 13512 | WASHER |
| *-43 | 100234 | NUT |
| *-44 | 81032 | NUT |
| *-45 | 110730 | CAP |
| *-46 | 110729 | CAP |
| *-47 | 117043 | SHUTTER LEVER ASSY |
| *-48 | 109606 | MALE UNIVERSAL JOINT |
| *-49 | 100420 | FLANGE NUT M6 |
| *-50 | 100632 | KNOB |
| *-51 | 100633 | SNAP |
| *-52 | 100726 | RUBBER CAP |
| *-53 | 117022 | LEVER RETAINER |
| *-54 | 86062 | TAPPING SCREW |

Date:2006.02.21.

INFORMATION ABOUT CHANGE OF PARTS

| | | | | | |
|--|-----------|-------------------|-------------------------------|----------------|------------|
| APPLY TO MODELS | | | MD6020 | | |
| PART NO. & PART NAME | | | 597309 Element,624843 Element | | |
| DESCRIPTION OF CHANGE | | | | | |
| BEFORE THE CHANGE | | | AFTER THE CHANGE | | |
| Ref. No. | Parts No. | Parts Name | Ref. No. | Parts No. | Parts Name |
| 4-40 | 597309 | Element | 4-40 | 624843 | Element |
| 4-41 | 624843 | Element | 4-41 | 597309 | Element |
| REASON FOR CHANGE | | | | | |
| 1.QUALITY IMPROVEMENT | | | 2.MATERIAL IMPROVEMENT | | |
| 3.MACHINING IMPROVEMENT | | | 4.ASSEMBLING IMPROVEMENT | | |
| 5.SAFETY | | 6.STANDARDIZATION | | 7.AVAILABILITY | |
| 8.OTHERS | | | | | |
| * Parts manual book is printed on an error in writing. | | | | | |
| WHEN TO APPLY (OR MFG.NO.~) | | | | | |
| INTERCHANGEABILITY | | | | | |
| 1.OLD ↔ NEW | | 2.OLD → NEW | | 3.OLD ← NEW | |
| 4.OLD ←×→ NEW | | | | | |
| HOW TO DISTINGUISH BETWEEN NEW AND OLD | | | | | |
| 1.FROM APPEARANCE | | 2.BY MARKING | | 3.OTHERS | |
| REMARKS | | | | | |

MARUYAMA



Maruyama U.S., Inc.
3570 Shelby Lane
Denton, TX 76207
940-383-7400 voice
940-383-7466 fax

www.maruyama-us.com