

PARTS LIST

MCV31T-14

CONTENTS

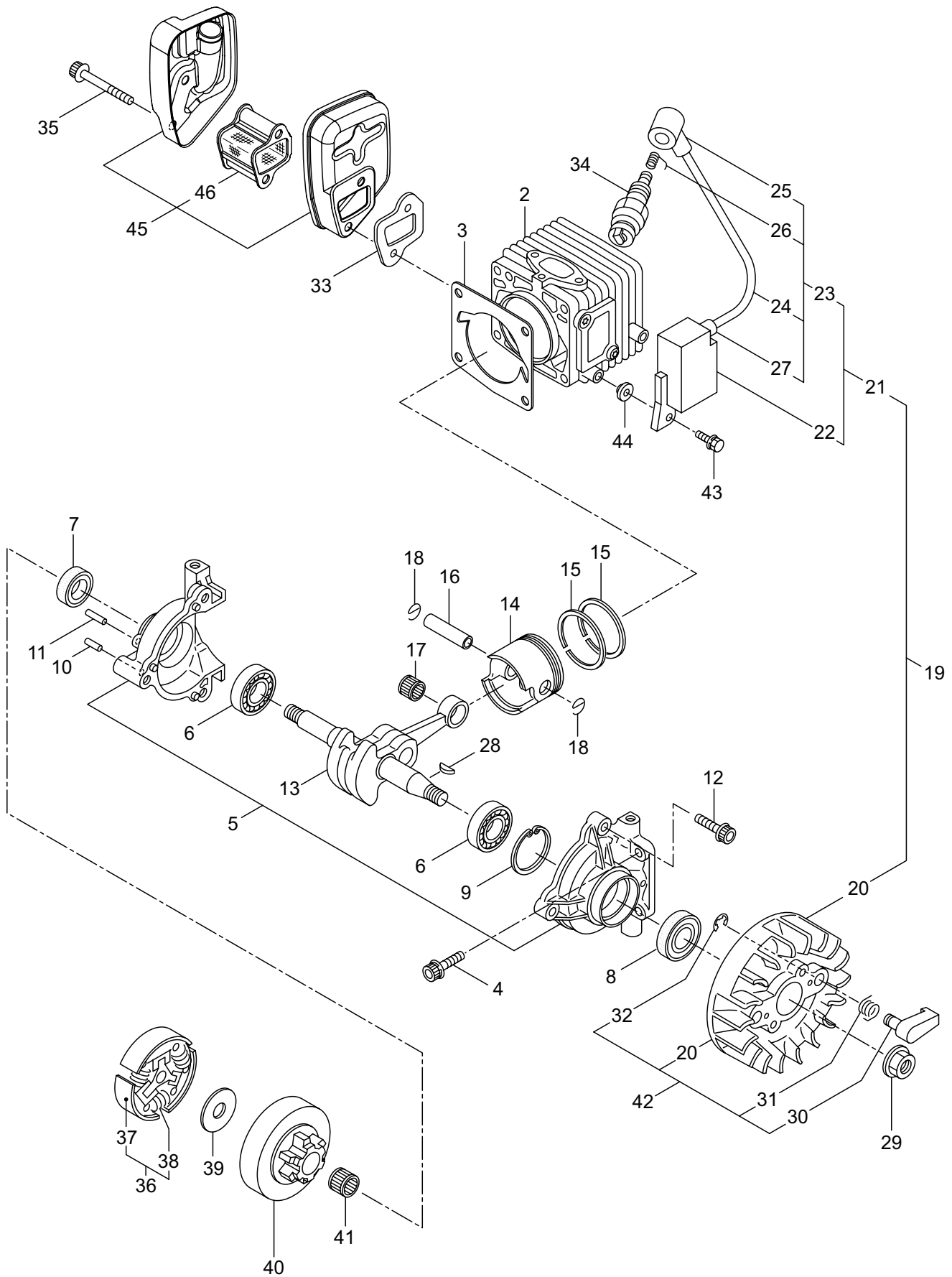
1. ENGINE	1 ~ 2
2. OIL PUMP	3 ~ 4
3. CARBURETOR	5 ~ 8
4. ENGINE CASE	9 ~ 10
5. RECOIL STARTER	11 ~ 12
6. HANDLE	13 ~ 14
7. CHAIN CASE	15 ~ 16
8. LABEL, ACCESSORIES	17 ~ 18

2013. 08.



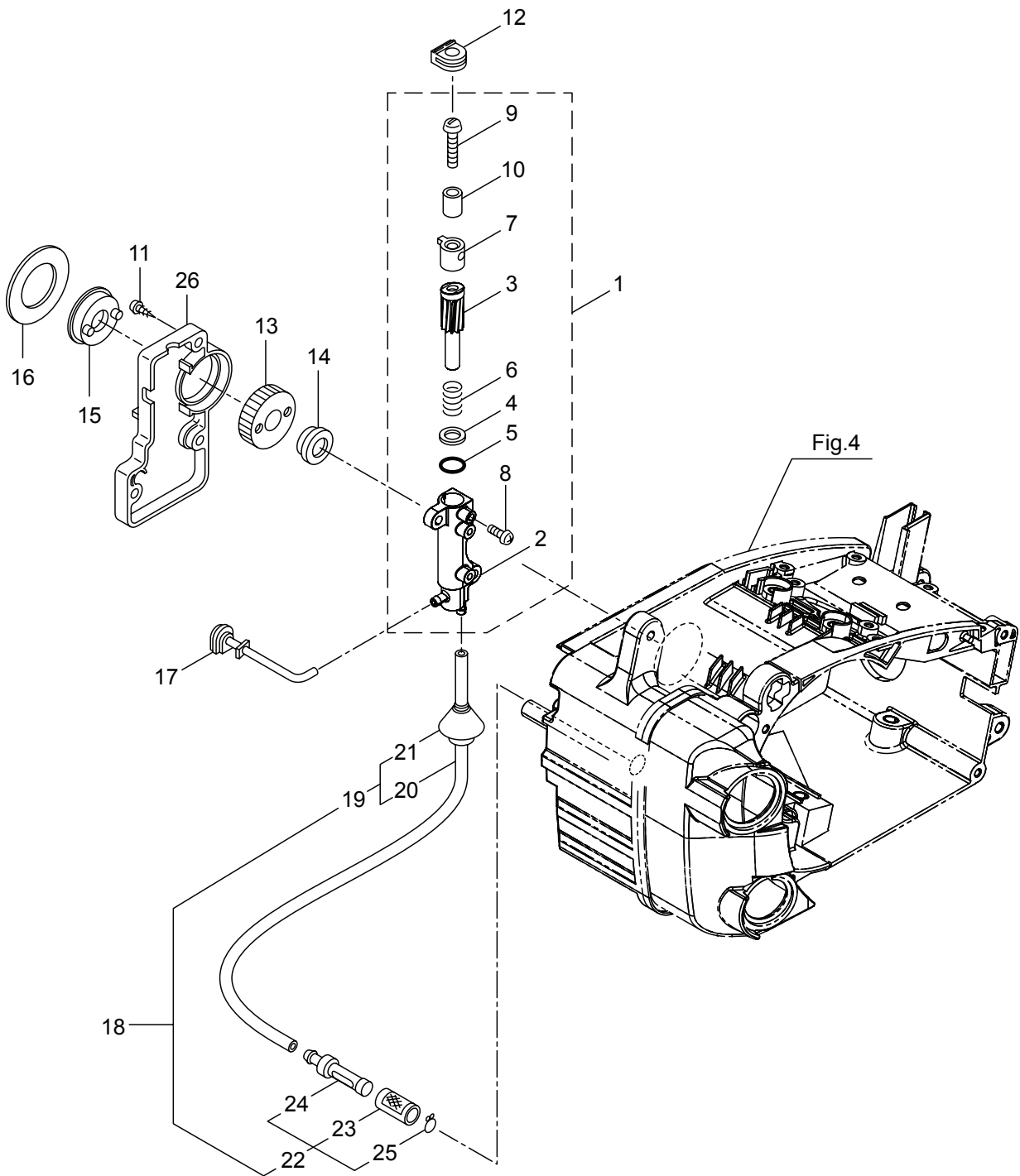
P/N 523704

1. MCV31T-14
ENGINE



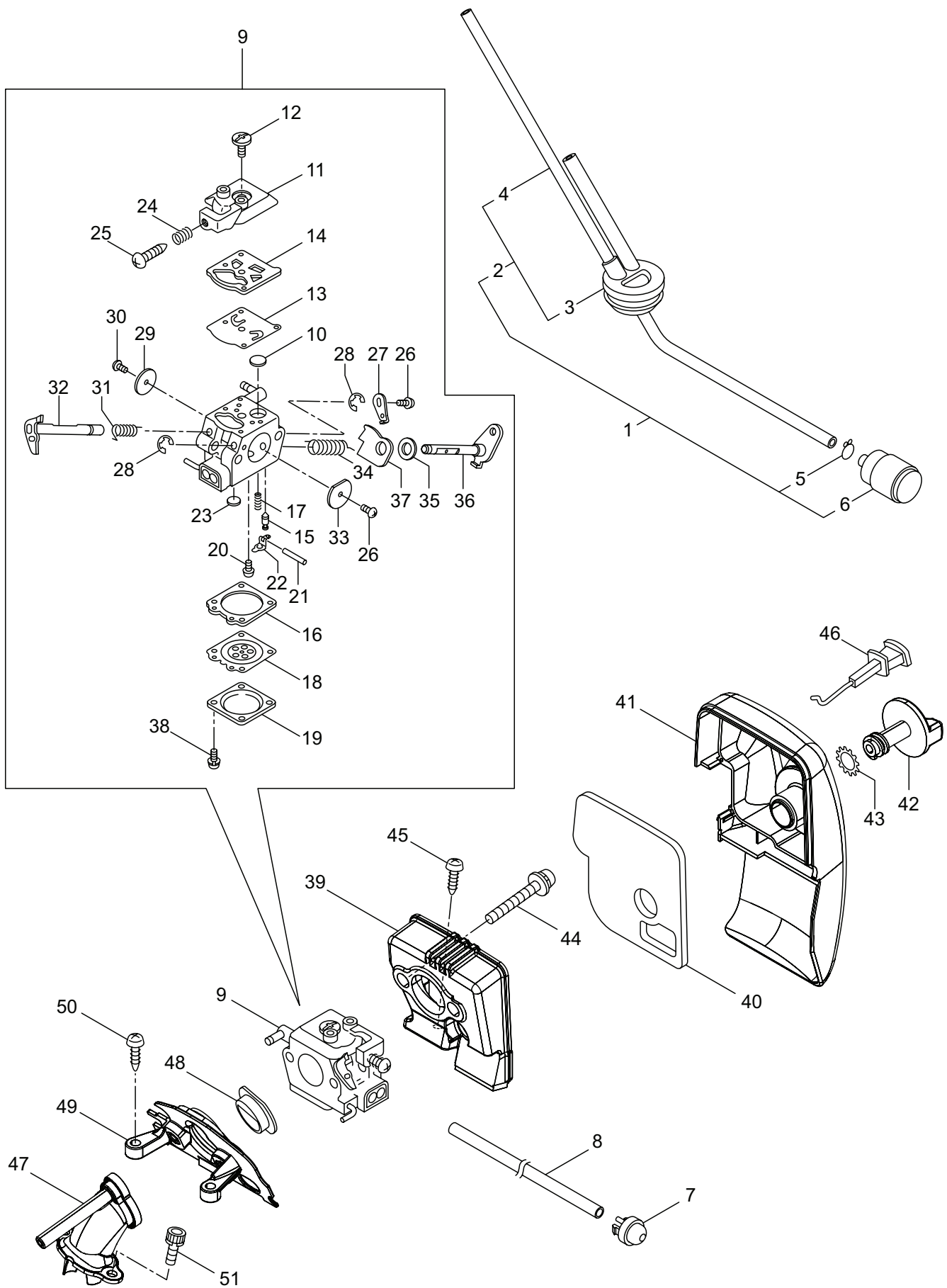
Ref. No.	Part No.	Part Name	Q'ty	Remarks
1-1	362813	MCV31T-14	1	
1-2	288931	Cylinder	1	
1-3	289341	Gasket	1	
1-4	261250	Cap Screw	4	M5x20
1-5	288846	Crankcase	1	
1-6	285521	Bearing	2	
1-7	285626	Oil Seal	1	
1-8	261492	Oil Seal	1	ISCD12287
1-9	055185	Snap Ring	1	#28
1-10	285560	Pin	1	3x9.8
1-11	285529	Pin	1	3x13.8
1-12	261232	Cap Screw	3	M5x20
1-13	285599	Crankshaft Comp.	1	
1-14	288399	Piston	1	
1-15	285590	Piston Ring	2	P111
1-16	285591	Piston Pin	1	8x31
1-17	261037	Bearing, Needle	1	KBK8x11x11.8x1
1-18	261576	Clip, Piston	2	
1-19	289489	Magneto Ass'y	1	Incl.20-27
1-20	285555	Magneto Rotor	1	
1-21	289548	Ignition Coil Ass'y	1	Incl.22-27
1-22	289650	Coil	1	
1-23	286096	Cord Ass'y	1	Incl.24-27
1-24	286097	Cord	1	
1-25	261074	Plug Boot	1	
1-26	261075	Connector	1	
1-27	261072	Cap	1	
1-28	261076	Woodruff Key	1	3x10
1-29	261417	Nut, Rotor	1	M8
1-30	285553	Starter Pawl	2	
1-31	285552	Spring	2	
1-32	020299	E-Ring	2	#4
1-33	285472	Gasket	1	
1-34	285982	Spark Plug	1	NGK BPM8Y
1-35	264223	Cap Screw	2	M5x40
1-36	285535	Clutch Ass'y	1	Incl.37,38
1-37	285655	Clutch Shoe	3	
1-38	285656	Spring	3	
1-39	285537	Washer	1	8x26xt2
1-40	286238	Clutch Drum	1	
1-41	285624	Needle Bearing	1	10x13x13
1-42	288365	Rotor Ass'y	1	Incl.20,30-32
1-43	281211	Cap Screw	2	M4x20
1-44	289481	Spacer	2	
1-45	289491	Muffler Ass'y	1	Incl.46
1-46	289493	Plate Comp.	1	

2. MCV31T-14
OIL PUMP



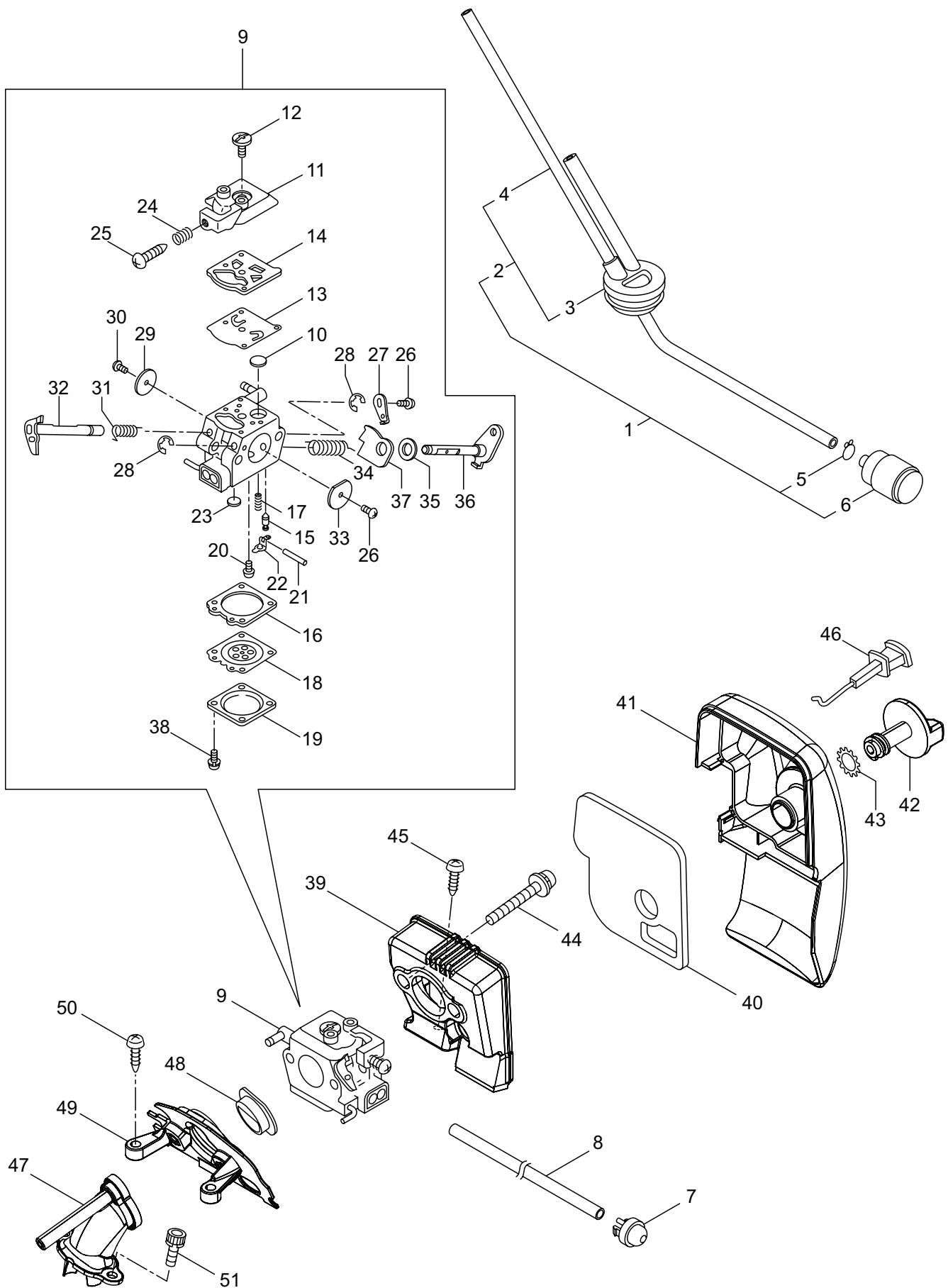
Ref. No.	Part No.	Part Name	Q'ty	Remarks
2-1	286816	Oil Pump Ass'y	1	Incl.2-10
2-2	285527	Pump Body	1	
2-3	285550	Wheel Gear	1	
2-4	286801	Washer	1	t0.5 6.5x9.8
2-5	014759	O-Ring	1	P6
2-6	285551	Spring	1	
2-7	285534	Pump Cap	1	
2-8	285630	Screw	1	M3x8
2-9	285617	Screw	1	M4x25
2-10	288184	Sleeve	1	
2-11	285631	Screw	5	M4x16
2-12	285528	Grommet	1	
2-13	286303	Worm Gear	1	
2-14	286843	Bush	1	
2-15	286305	Bush	1	
2-16	286241	Washer	1	
2-17	285522	Oil Pipe A	1	
2-18	286802	Oil Pipe B Ass'y	1	Incl.19-25
2-19	285523	Oil Pipe B Ass'y	1	Incl.20,21
2-20	265725	Pipe	1	220L
2-21	261339	Grommet	1	
2-22	286818	Oil Filtr Ass'y	1	Incl.23-25
2-23	285524	Oil Filtr	1	
2-24	285525	Oil Filtr Body	1	
2-25	261117	Clip	1	
2-26	285598	Oil Pump Cover	1	

3. MCV31T-14
CARBURETOR



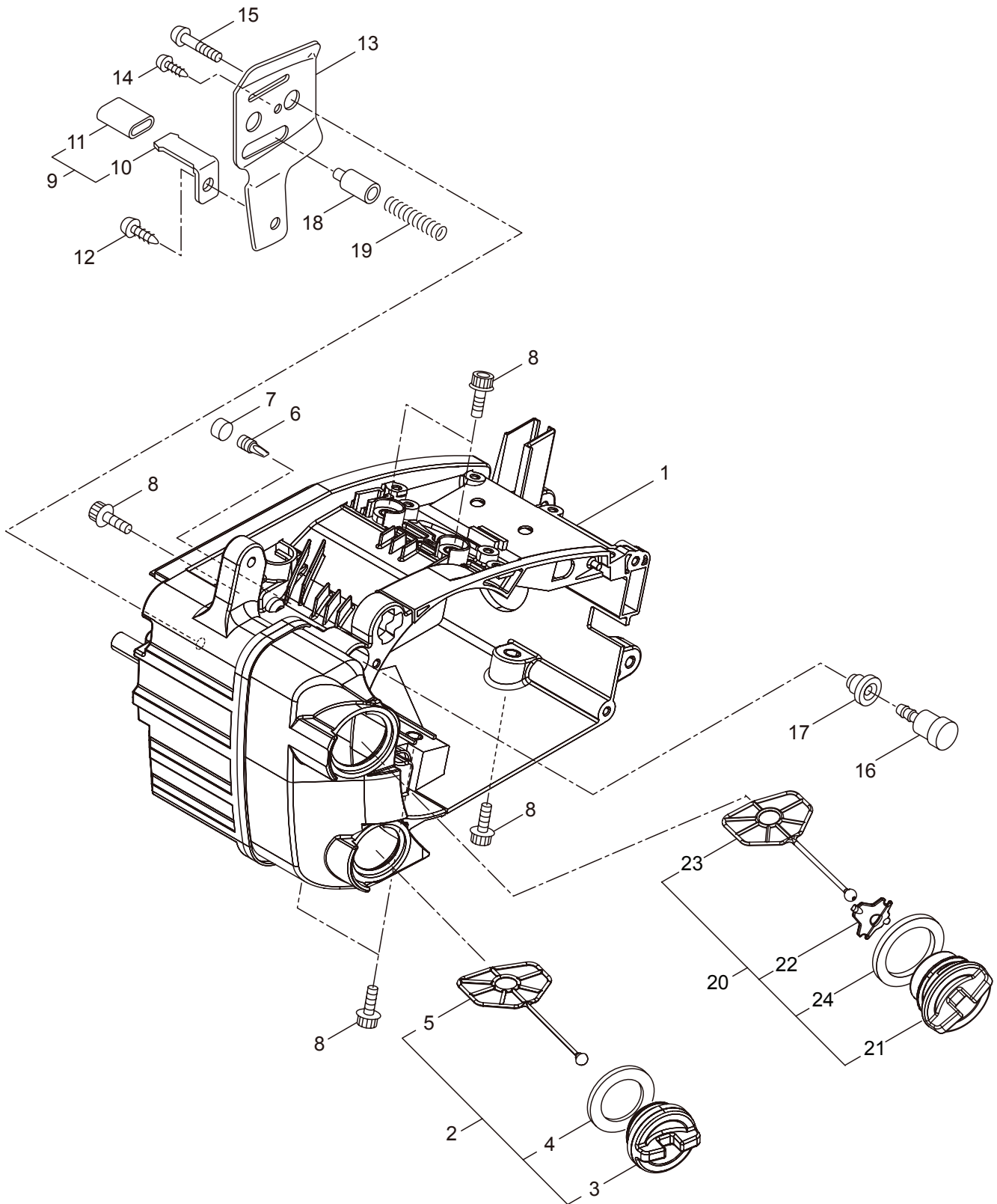
Ref. No.	Part No.	Part Name	Q'ty	Remarks
3-1	289496	Fuel Pipe Ass'y	1	Incl.2-6
3-2	289497	Pipe Ass'y	1	Incl.3,4
3-3	285490	Fuel Grommet	1	
3-4	289498	Fuel Pipe A	1	
3-5	261117	Clip	2	
3-6	264653	Filter Ass'y	1	
3-7	282299	Pump	1	
3-8	285492	Fuel Pipe B	1	2.4x5x145L
3-9	289500	Carburetor Ass'y	1	Incl.10-38
3-10	261872	Screen	1	
3-11	287168	Pump Cover	1	
3-12	287169	Screw	1	
3-13	287170	Diaphragm	1	
3-14	287171	Gasket	1	
3-15	262986	Needle Valve	1	
3-16	263727	Gasket	1	
3-17	287172	Spring	1	
3-18	283905	Diaphragm, Meterring	1	
3-19	263726	Cover Plate	1	
3-20	287173	Screw	1	
3-21	262989	Lever Pin	1	
3-22	262990	Lever	1	
3-23	287174	Plug	1	
3-24	287178	Spring	1	
3-25	287179	Idle Adjust Screw	1	
3-26	287180	Screw	2	
3-27	287181	Lever	1	
3-28	287182	Ring	2	
3-29	287183	Throttle Valve	1	
3-30	287184	Screw	1	
3-31	287185	Spring	1	
3-32	287186	Shaft	1	
3-33	287187	Choke Valve	1	
3-34	287188	Spring	1	
3-35	287189	Washer	1	
3-36	287190	Shaft	1	
3-37	287191	Lever	1	
3-38	287192	Screw	4	
3-39	285539	Cleaner Body	1	
3-40	285584	Element	1	
3-41	285579	Cleaner Cover	1	
3-42	285540	Knob	1	
3-43	288404	Washer	1	
3-44	285633	Screw	2	M5x45
3-45	285631	Screw	1	M4x16

3. MCV31T-14
CARBURETOR



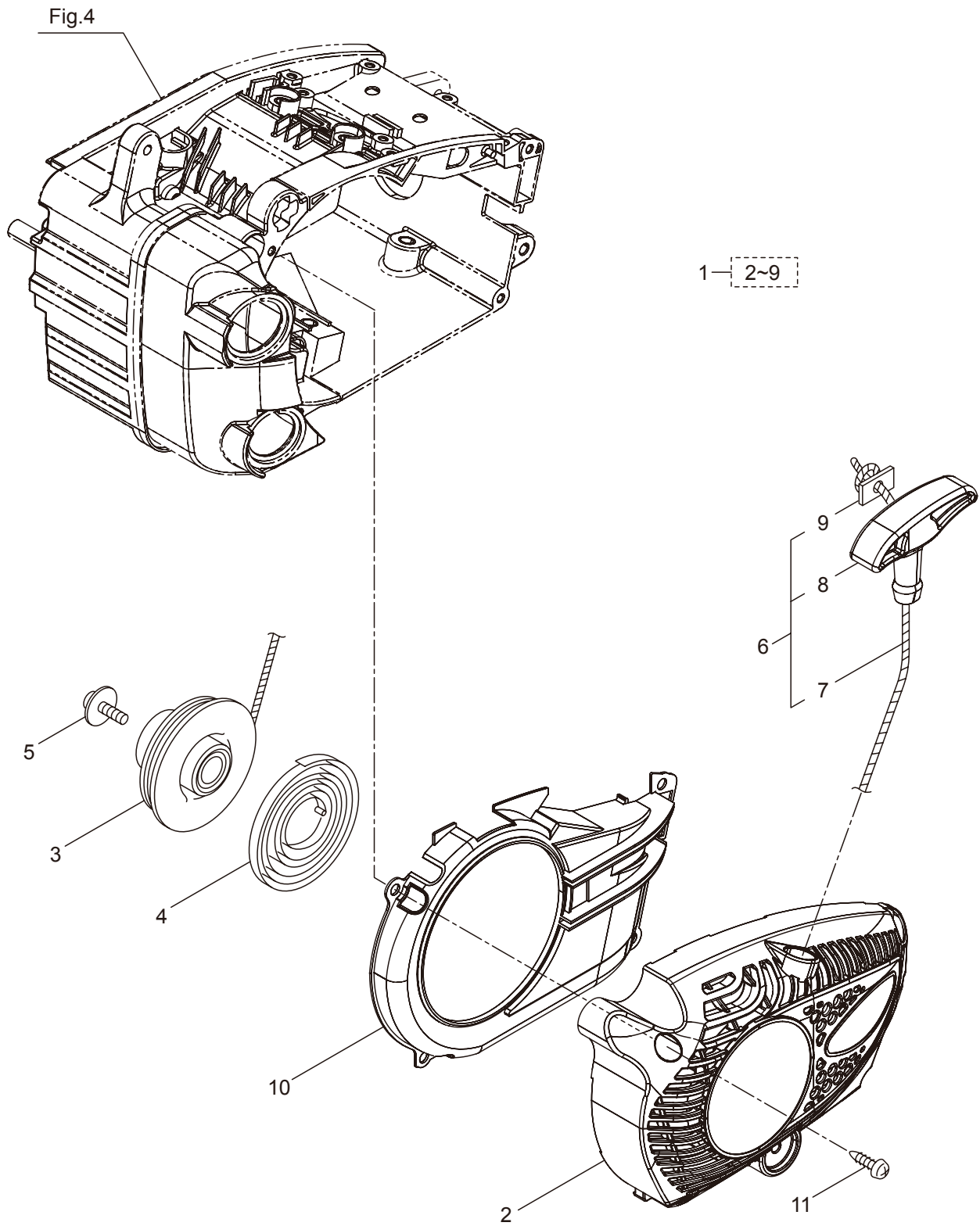
Ref. No.	Part No.	Part Name	Q'ty	Remarks
3-46	285580	Choke Rod	1	
3-47	285495	Insulator	1	
3-48	288551	Ring	1	
3-49	285497	Plate	1	
3-50	285631	Screw	2	M4x16
3-51	285618	Bolt	2	M4x12

4. MCV31T-14 ENGINE CASE



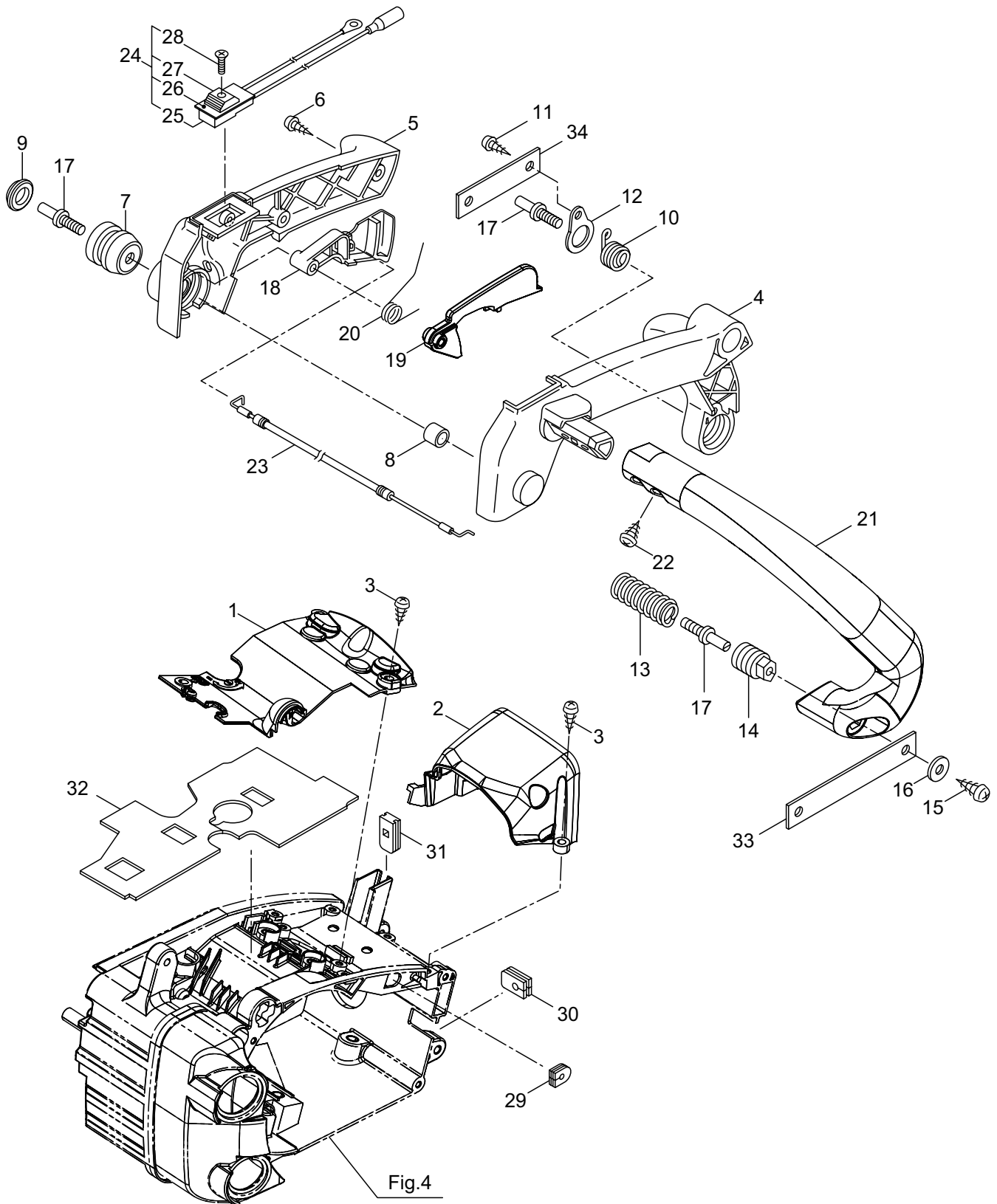
Ref. No.	Part No.	Part Name	Q'ty	Remarks
4-1	285694	Engine Case Ass'y	1	
4-2	285501	Oil Cap Ass'y	1	Incl.3-5
4-3	285502	Oil Cap	1	
4-4	285503	Packing	1	
4-5	285504	Holder	1	
4-6	285574	Breather	1	
4-7	285526	Element	1	
4-8	285632	Bolt	6	M5x16
4-9	286803	Chain Catcher Ass'y	1	Incl.10,11
4-10	285583	Chain Catcher	1	
4-11	285585	Tube	1	7x10.5x18L
4-12	285634	Screw	1	M5x14
4-13	285531	Guide Plate L	1	
4-14	285627	Screw	1	M3x8
4-15	286804	Screw	1	M5x20x8
4-16	285832	Breather Ass'y	1	
4-17	285573	Breather Grommet	1	
4-18	285628	Cap	1	
4-19	285629	Spring	1	
4-20	289502	Fuel Cap Ass'y	1	Incl.21-24
4-21	289475	Fuel Cap	1	
4-22	289477	Holder	1	
4-23	285504	Holder	1	
4-24	289476	Packing	1	

5. MCV31T-14
RECOIL STARTER



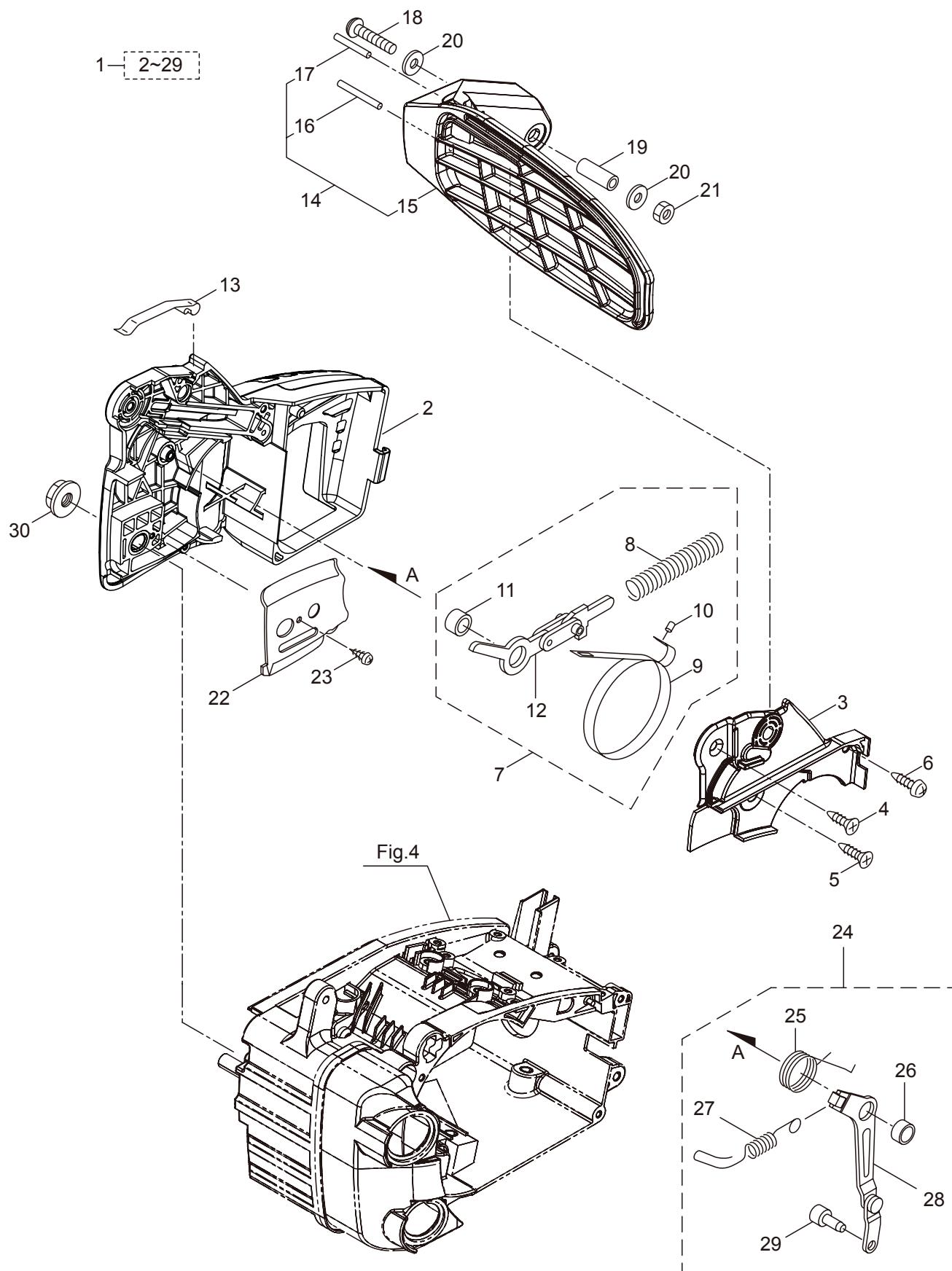
Ref. No.	Part No.	Part Name	Q'ty	Remarks
5-1	285737	Recoil Starter Ass'y	1	Incl.2-9
5-2	285695	Starter Case Comp.	1	
5-3	285698	Reel	1	
5-4	283275	Spring Ass'y	1	
5-5	262922	Screw	1	
5-6	286066	Rope Ass'y	1	Incl.7-9
5-7	285702	Starter Rope	1	
5-8	285581	Starter Knob	1	
5-9	283281	Rope Stopper	1	
5-10	285548	Fan Cover	1	
5-11	285631	Screw	4	M4x16

6. MCV31T-14
HANDLE



Ref. No.	Part No.	Part Name	Q'ty	Remarks
6-1	285547	Top Cover	1	
6-2	286072	Carburetor Cover	1	
6-3	285631	Screw	5	M4x16
6-4	285620	Top Handle Case	1	
6-5	285621	Top Handle Cover	1	
6-6	285635	Screw	3	M4x14
6-7	285582	Buffer	1	
6-8	285565	Pipe	1	
6-9	285473	Cap	1	
6-10	285592	Spring	1	
6-11	285644	Screw	1	M4x12
6-12	285645	Stay	1	
6-13	285593	Spring	1	
6-14	285604	Boss	1	
6-15	285636	Screw	1	M5x20
6-16	263743	Washer	1	5.7x15.8xt2
6-17	285474	Stopper Bolt	3	
6-18	285602	Throttle Lever	1	
6-19	285603	Safety Lever	1	
6-20	285594	Spring	1	
6-21	285619	Side Handle	1	
6-22	285634	Screw	2	M5x14
6-23	285558	Cable Comp.	1	
6-24	287034	Switch Ass'y	1	Incl.25-28
6-25	286225	Switch	1	
6-26	287035	Label	1	STOP
6-27	282171	Knob	1	
6-28	282172	Screw	1	
6-29	287300	Grommet	1	
6-30	285549	Grommet	1	
6-31	285642	Grommet	1	
6-32	286002	Gasket	1	
6-33	289504	Strap F	1	
6-34	289505	Strap R	1	

7. MCV31T-14
CHAIN CASE



Ref. No.	Part No.	Part Name	Q'ty	Remarks
7-1	289507	Chain Case Ass'y	1	Incl.2-29
7-2	289508	Chain Case	1	
7-3	285622	Side Cover	1	
7-4	285637	Screw	1	M5x12
7-5	285639	Screw	1	M4x14
7-6	285644	Screw	1	M4x12
7-7	286823	Brake Ass'y	1	Incl.8-12
7-8	285605	Spring	1	
7-9	285572	Band	1	
7-10	285560	Pin	1	3x9.8
7-11	285606	Collar	1	8.2x12x7.2L
7-12	285570	Lever Comp.	1	
7-13	285595	Return Spring	1	
7-14	286057	Front Guard Comp.	1	Incl.15-17
7-15	285578	Front Guard	1	
7-16	285563	Pin	1	3x29.8
7-17	286048	Pin	1	3x23.8L
7-18	285638	Screw	1	M5x30
7-19	285607	Collar	1	5.2x7.5x22.5L
7-20	286045	Washer	2	5.3x15x1.2
7-21	285640	Nut	1	M5x0.8
7-22	285532	Guide Plate R	1	
7-23	285627	Screw	2	M3x8
7-24	286034	Tensioner Ass'y	1	Incl.25-29
7-25	285596	Spring	1	
7-26	285608	Collar	1	7.4x10x5.5L
7-27	289726	Spring	1	
7-28	285609	Link Comp.	1	
7-29	285614	Boss	1	
7-30	283041	Nut	1	M8

8. MCV31T-14 LABEL, ACCESSORIES

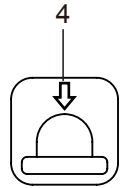


2

TO AVOID KICKBACK
 1. Both of the operator's hands must be used to operate the chain saw.
 2. Contact of the guide bar tip with any object should be avoided.
 3. Tip contact may cause the guide bar to move suddenly upward and backward, which may cause serious injury.

3

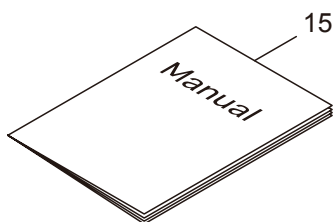
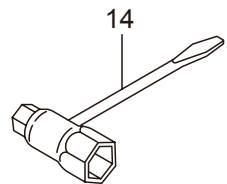
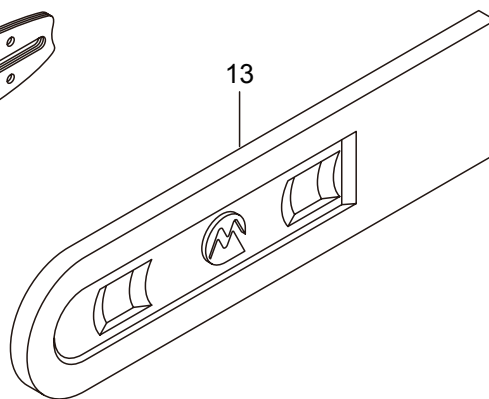
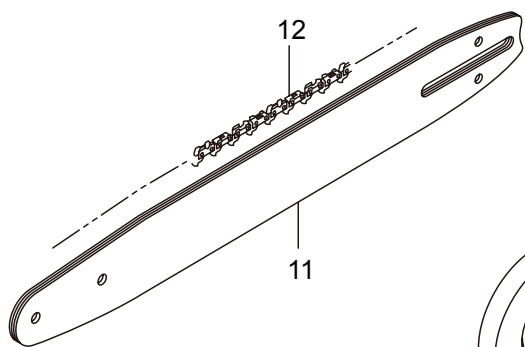
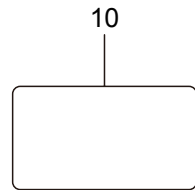
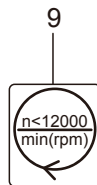
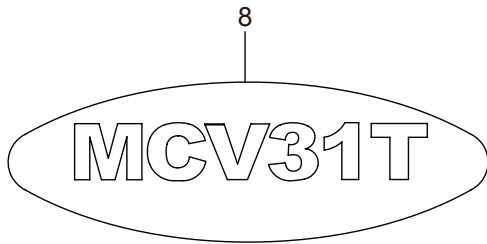
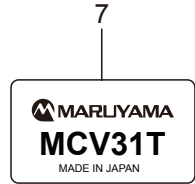
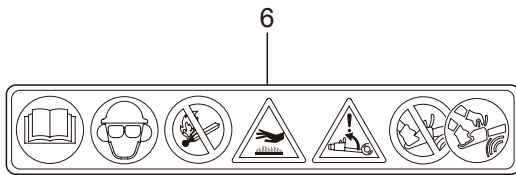
WARNING: Read and follow all safety precautions in the instruction manual. Failure to follow instructions could result in serious personal injury. 272017



5

GUIDE BAR P\N(OREGON)	CHAIN P\N(OREGON)	REPLACEMENT BAR AND CHAIN
10" 100SDEA041	91PX040E	Refer the details of guide bar and saw chain combinations, see the instruction manual. There may be other replacement components for achieving kickback protection.
12" 120SDEA041	91PX045E	
14" 140SDEA041	91PX052E	

273083



Ref. No.	Part No.	Part Name	Q'ty	Remarks
8-1	271972	Label	1	CEC300 MARUYAMA
8-2	272016	Label	1	KICKBACK
8-3	272017	Label	1	WARNING
8-4	272020	Label	1	
8-5	273083	Label	1	
8-6	287161	Label	1	
8-7	289513	Label	1	MARUYAMA MCV31T
8-8	289514	Label	1	MCV31T
8-9	287616	Label	1	
8-10	285188	Label	1	
8-11	286828	Guide Bar	1	
8-12	289538	Chain	1	
8-13	286840	Chain Cover	1	
8-14	288652	Combi Box Spanner	1	13x19 L=190
8-15	289540	Instruction Manual	1	MCV31T