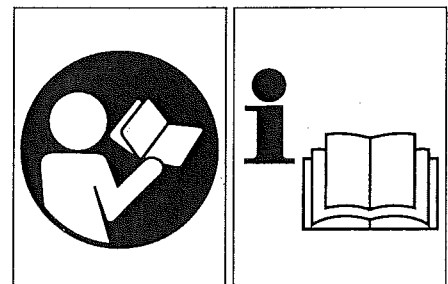




# ***MCV-331T***

# ***MCV-331R***







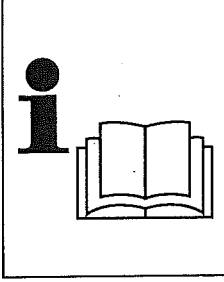


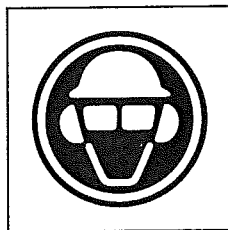
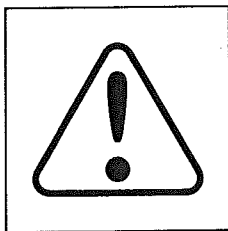
**Owner's manual**  
**Manuel d'utilisation**  
**Manuale uso e manutenzione**  
**Bedienungsanleitung**  
**Manual del propietario**  
**Instruktionsbok**

(En, Fr, It, Ge, Sp, Sw)

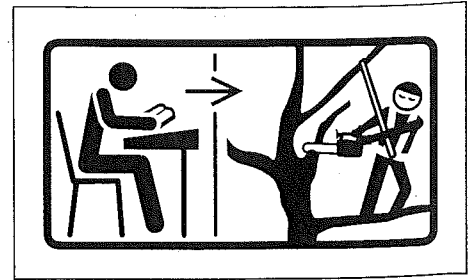
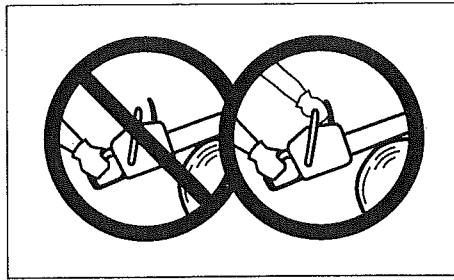
## **WARNING**

The engine exhaust from this product contains chemicals known to the State of California to cause cancer, birth defects and other reproductive harm.

- (En) X
- (Fr)  **ATTENTION!**  
Les gaz d'échappement du moteur de cette machine contiennent des produits chimiques considérés comme pouvant causer des cancers, des malformations congénitales et autres troubles de la reproduction.
- (It)  **ATTENZIONE**  
I gas di scarico del motore di questo prodotto contengono elementi chimici noti allo stato della California come cause di cancro, difetti congeniti e altri danni al sistema riproduttivo.
- (Ge)  **WARNING!**  
Die von diesem Produkt erzeugten Abgase enthalten Stoffe, die vom Bundesstaat Kalifornien als Erreger von Krebs, Geburtsfehlern und anderen Fortpflanzungsschäden angesehen werden.
- (Sp)  **ATENCIÓN!**  
El gas de escape de este producto contiene productos químicos conocidos por el Estado de California que causan cáncer, nacimiento con defectos y otros daños de reproducción.
- (Sw)  **WARNING!**  
Motoravgasen från denna produkt innehåller vissa kemikalier som staten Kalifornien klassificerat som cancerframkallande, fosterskadande eller reproduktionsskadliga ämnen.
- (En)    
It is important that you read, fully understand and observe the following safety precautions and warnings. Careless or improper use of the unit may cause serious or fatal injury.
- (Fr) Il est essentiel que vous lisiez et compreniez parfaitement les consignes de sécurité et autres avertissements suivants et que vous les observiez strictement. L'utilisation inattentive ou inadéquate de cette machine risque de provoquer des blessures graves ou fatales.
- (It) È importante leggere, comprendere a fondo e osservare le seguenti precauzioni di sicurezza e avvertenze. Disattenzione o un uso improprio dell'unità possono causare lesioni gravi o fatali.
- (Ge) Es ist wichtig, dass Sie sich mit den nachfolgenden Vorsichtsmaßnahmen und Warnungen vertraut machen und diese befolgen. Unvorsichtige oder unsachgemäße Handhabung dieses Gerätes kann zu schweren oder sogar lebensgefährlichen Verletzungen führen.
- (Sp) Es importante que usted lea, entienda totalmente y observe las siguientes precauciones y advertencias de seguridad. El uso descuidado o incorrecto de la unidad podrá causarle lesiones serias o fatales.
- (Sw) Det är viktigt att ni noggrant läser bruksanvisningen för att förstå och följa anvisningarna för säkerhet och varningar. Om produkten används på olämpligt sätt kan det medföra en allvarlig skada.



- (En) Read, understand and follow all warnings and instructions in this manual and on the unit.
- (Fr) Lisez, comprenez et suivez toutes les instructions et tous les avertissements donnés dans ce manuel et sur la machine.
- (It) Leggere con attenzione e seguire tutte le avvertenze e le istruzioni all'interno del manuale.
- (Ge) Die in der Bedienungsanleitung und an der Maschine angegebenen Warnungstexte und Anweisungen sind zu lesen und zu befolgen.
- (Sp) Lea, comprenda y siga todas las advertencias y demás instrucciones de este manual y las que hay en la máquina.
- (Sw) Läs, förstå och följ alla varningar och instruktioner i denna bruksanvisning och på maskinen.
- (En) Always wear eye, head and ear protectors when using this unit.
- (Fr) Utilisez toujours des lunettes de protection ainsi qu'une protection pour la tête et les oreilles lorsque vous utilisez cette machine.
- (It) Indossare sempre protezioni per gli occhi, per la testa e per le orecchie quando usate la macchina.
- (Ge) Tragen Sie bei der Anwendung der Maschine stets einen geeigneten Helm sowie Gesicht- und Gehörschutz.
- (Sp) Utilizar siempre las protecciones para los ojos, cabeza y oídos cuando trabaje con la máquina.
- (Sw) Bär alltid ögon-, huvud- och hörselskydd vid användning av maskinen.



(En) Warning, kickback danger. Be careful sudden and accidental upward and/or backward motion of the guide bar.

(Fr) ATTENTION! Portez une attention particulière aux phénomènes de rebond. Prenez garde aux mouvements soudain et accidentels du guide-chaîne de votre tronçonneuse, ils peuvent se produire vers le haut comme vers l'arrière.

(It) Attenzione! I contraccolpi sono pericolosi. Attenti al movimento brusco ed accidentale verso l'alto e/o all'indietro della barra catena.

(Ge) Vorsicht Rückschlaggefahr! Die Motorsäge kann plötzlich und unvermittelt nach oben bzw. nach hinten rückschlagen.

(Sp) Advertencia sobre el peligro de sacudida. Deberá prestarse atención a los movimientos accidentales de la barra de guía hacia adelante o hacia atrás.

(Sw) Varning för eventuellt kast: Använd motorsågen mycket försiktigt, eftersom svärdet plötsligt kan kasta uppåt och eller bakåt.

(En) One-handed usage not permitted. While cutting, hold saw firmly with both hands with thumb firmly locked around front handle.

(Fr) L'utilisation d'une tronçonneuse avec une seule main n'est pas autorisée. Lorsque vous coupez avec votre machine, tenir celle-ci fermement avec les deux mains, le pouce enserrant la poignée avant.

(It) Non é permesso l'uso con una sola mano. Durante il taglio tenere la motosega saldamente con ambedue le mani, bloccando l'impugnatura anteriore con il pollice.

(Ge) Nicht einhändig führen! Zum Schneiden von Material die Säge mit beiden Händen sicher halten und den Daumen fest um den vorderen Griff legen.

(Sp) No se permite el uso con una sola mano. Durante el corte, debe sostenerse firmemente la sierra con ambas manos con el dedo pulgar firmemente trabado alrededor de la manija frontal.

(Sw) Använd aldrig apparaten med ena handen. Håll motorsågen stadigt med båda händerna, med tummen låst runt det främre handtaget.

(En) The saw (MCV-331T) is specially designed for tree service and therefore shall be used by trained operators only, in off-ground work in trees.

(Fr) Les tronçonneuses (MCV-331T) ont été spécialement conçues pour le travail dans les arbres et devront par conséquent être utilisées uniquement par des opérateurs qualifiés et pour des opérations s'effectuant au-dessus du sol telle que l'élagage.

(It) La motosega (MCV-331T) é stata progettata appositamente per l'impiego in operazioni di lavoro su alberi e pertanto deve essere utilizzata soltanto da operatori preparati in operazioni di lavoro su alberi.

(Ge) Die Säge (MCV-331T) ist speziell für Baumpflege vorgesehen und darf daher bei Arbeiten über dem Boden nur von geschulten Kräften bedient werden.

(Sp) La sierra (MCV-331T) está especialmente diseñada para talar árboles y por lo tanto, deberá ser usada sólo por operadores entrenados para las tareas de tala de árboles sobre el suelo.

(Sw) Motorsågar (MCV-331T) är speciellt konstruerad för fällning av träd och skall därför endast användas av utbildad personal för fällning av träd.

#### Before using your new unit

- Read the operator's manual carefully.
- Check that the cutting equipment is correctly assembled and adjusted.
- Start the unit and check the carburetor adjustment. See "Maintenance".

#### En Index

What is what? .....	1
Warnings and safety instructions .....	3
Assembly procedures .....	9
Operating procedures .....	13
Maintenance .....	35
Specifications .....	50

#### Vor dem Gebrauch Ihres neuen Geräts

- Bedienungsanleitung genau durchlesen.
- Montage und Einstellung der Schneid-ausrüstung kontrollieren.
- Das Gerät starten und die Vergasereinstellung prüfen. Siehe "Wartung".

#### Ge Inhalt

Teilebezeichnungen .....	2
Warn- und Sicherheitshinweise .....	6
Zusammenbau .....	10
Betrieb .....	14
Wartung .....	36
Technische Daten .....	50

#### Avant l'utilisation de votre nouvelle machine

- Lire attentivement le manuel d'utilisation
- Vérifier que l'équipement de coupe est monté et réglé correctement.
- Démarrer le moteur et vérifier le réglage du carburateur. Voir "Entretien".

#### Fr Index

Description .....	2
Précautions et consignes de sécurité .....	3
Montage .....	9
Utilisation .....	13
Entretien .....	35
Caractéristiques .....	50

#### Antes del uso de la unidad

- Leer cuidadosamente el manual del operador.
- Verificar que el equipo de corte esté correctamente montado y ajustado.
- Arrancar la unidad y comprobar el ajuste del carburador. Ver la sección de "Mantenimiento".

#### Sp Indice

¿Qué es qué? .....	2
Advertencias e instrucciones de seguridad .....	7
Procedimiento de montaje .....	10
Modo de uso .....	14
Mantenimiento .....	36
Especificaciones .....	50

#### Prima di usare la nuova unità

- Leggere attentamente il manuale di istruzioni.
- Controllare il montaggio e la registrazione del gruppo di taglio.
- Mettere in moto l'unità e controllare la registrazione del carburatore. Vedere "Manutenzione".

#### It Indice

Descrizione .....	2
Avvertenze ed istruzioni di sicurezza .....	5
Procedimento di montaggio .....	9
Funzionamento .....	13
Manutenzione .....	35
Specifiche .....	50

#### Åtgärder före användning av en ny apparat

- Läs igenom bruksanvisningen noggrant.
- Kontrollera skärutrustningens montering och justering.
- Starta maskinen och kontrollera förgasarinställningen. Se "Underhåll".

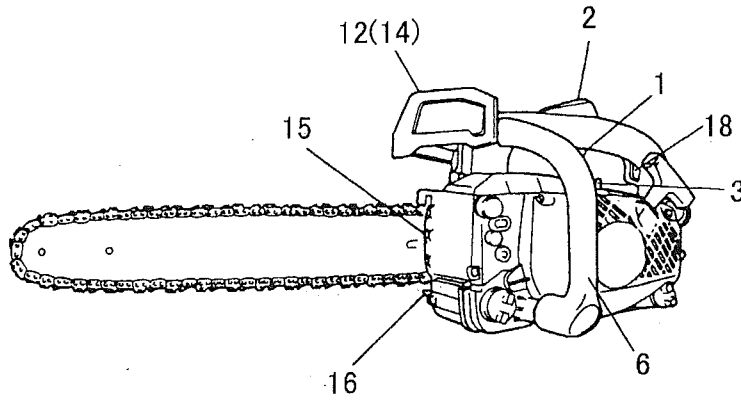
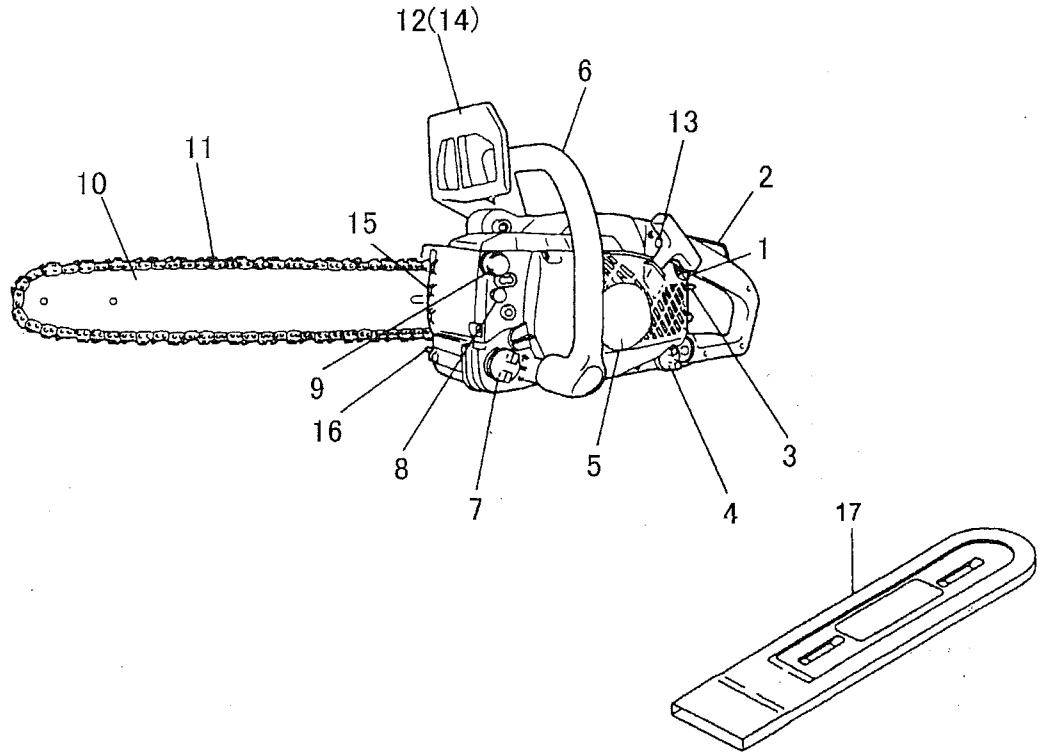
#### Sw Innehåll

Vad är vad? .....	2
Varningar och säkerhetsanvisningar .....	8
Montering .....	10
Användning .....	14
Underhåll .....	36
Tekniska data .....	50

# 1. What is what?

(En) Since this manual covers several models, there may be some difference between pictures and your unit. Use the instructions that apply to your unit.

- 1. Throttle trigger
- 2. Throttle trigger lockout
- 3. Ignition switch
- 4. Oil tank cap
- 5. Recoil starter
- 6. Front handle
- 7. Fuel tank cap
- 8. Choke control knob
- 9. Priming pump (optional)
- 10. Guide bar
- 11. Saw chain
- 12. Front hand guard
- 13. Throttle lock
- 14. Chain brake (optional)
- 15. Spiked bumper
- 16. Chain catcher
- 17. Guide bar cover
- 18. Attachment point



## 1. Description

**(Fr)** Comme ce manuel se réfère à plusieurs modèles, il peut apparaître quelques différences entre les schémas et votre machine. Suivez les instructions concernant le type de votre tronçonneuse.

1. Commande des gaz
2. Levier accélérateur bloqué
3. Commutateur d'arrêt "Stop"
4. Bouchon du réservoir d'huile
5. Lanceur à retour automatique
6. Poignée avant
7. Bouchon du réservoir de carburant
8. Bouton de commande de "starter"
9. Pompe d'amorçage (en option)
10. Guide-chaîne
11. Chaîne de coupe
12. Protecteur de la poignée avant
13. Bouton de verrouillage de la commande des gaz
14. Frein de chaîne (en option)
15. Griffe d'abattage
16. Capteur de chaîne
17. Protecteur de guide-chaîne
18. Point d'attache

## 1. Teilebezeichnungen

**(Ge)** Da diese Bedienungsanleitung auf mehrere Modelle hinweist, es ist möglich, daß die Bilder und Ihr Gerät verschieden sind. Die Anleitungen befolgen, die auf Ihr Gerät zutreffen.

1. Gashebel
2. Sicherheitsgasgriff
3. Zündschalter
4. Öltankdeckel
5. Zugstarter
6. Vorderer Griff
7. Kraftstofftankdeckel
8. Choke
9. Primer-Pumpe (Optional)
10. Sägeschiene
11. Kette
12. Vorderer Handschutz
13. Halbgassperre
14. Kettenbremse (Extrazubehör)
15. Anschlagkralle
16. Kettenfänger
17. Kettenschutz
18. Befestigungsstelle

## 1. Vad är vad?

**(Sw)** Det kan hända att det finns skillnader mellan den modell du har och den modell som visas på illustrationerna, eftersom denna bruksanvisning täcker flera modeller. Följ de instruktioner som är tillämpbara för din maskin.

1. Gasreglage
2. Gasreglagespärr
3. Stoppknapp
4. Oljetankslock
5. Starthandtag
6. Främre handtag
7. Bränsletankslock
8. Chokereglage
9. Primer(extra tillbehör)
10. Svärd
11. Sågkedja
12. Kastskydd
13. Gasspärr
14. Broms för sågkedja
15. Barkstöd
16. Kedjefångare
17. Transportskydd för svärd
18. Fästögla

## 1. Descrizione

**(It)** Dato che questo manuale si riferisce a svariati modelli, potrà verificarsi che vi siano delle differenze tra la vostra macchina e quella illustrata in figura. Usare le istruzioni che si riferiscono al vostro apparecchio.

1. Comando dell'acceleratore
2. Leva fermo acceleratore
3. Interruttore di accensione
4. Tappo del serbatoio olio
5. Avviatore autoavvolgente
6. Impugnatura anteriore
7. Tappo del serbatoio carburante
8. Pomello di controllo della valvola dell'aria
9. Pompa di adescamento (opzionale)
10. Barra catena
11. Catena della motosega
12. Paramano anteriore
13. Pulsante di blocco del gas
14. Freno catena (opzionale)
15. Paraurti a denti
16. Ferma-catena
17. Coperchio della barra catena
18. Punto di aggancio

## 1. ¿Qué es qué?

**(Sp)** Ya que este manual se refiere a varios modelos es posible que haya diferencias entre las imágenes y su aparato. Emplee las instrucciones que se apliquen a su unidad.

1. Gatillo del acelerador
2. Palanca de tope del acelerador
3. Llave de ignición
4. Tapa del tanque de aceite
5. Arrancador de recuperación
6. Manija frontal
7. Tapa del tanque de combustible
8. Perilla de control del estrangulador
9. Bomba de cebado (opcional)
10. Barra de guía
11. Cadena de sierra
12. Protector frontal de la mano
13. Bloqueo del acelerador
14. Freno de la cadena (opcional)
15. Apoyo dentado
16. Trinquete de cadena
17. Funda de la barra de guía
18. Punto de fijación

## 2. Warnings and safety instructions.

### Operator safety

#### ⚠ WARNING!

The tree-service chain saws (MCV-331T) are designed especially for tree care and surgery. Only persons trained in tree care and surgery may use this saw. Observe all literature, procedures and recommendations from the relevant professional organization. Failure to do so constitutes a high accident risk. We recommend always using a rising platform for sawing in trees. Rappelling techniques are extremely dangerous and require special training. The operator must be trained in and be familiar with the use of safety equipment and working and climbing techniques. Always use the restraining equipment for both the operator and the saw.

- The operator must be care when cutting trees and/or branches in the tree service operation(MCV-331T).
- The operator must be extra care for "skating" and "bouncing" when cutting, greater risk for kickback and dropping at the end of a cut than chain saw for forestry work.
- The operator must use of all recommended additional safety equipment such as harness, loops, straps, rope, and karabiners for himself and for the saw(MCV-331T).
- Always wear a safety face shield or goggles.
- Gloves should be used when sharpening chain.
- Always wear safety protective equipment such as jacket, trousers, gloves, helmet, boots with steel toe-caps and non-slip soles whenever you use a chain saw. For working in trees the safety boots must be suitable for climbing techniques. Do not wear loose clothing, jewelry, short pants, sandals or go barefoot. Secure hair so it is above shoulder length.
- Do not operate this tool when you are tired, ill or under the influence of alcohol, drugs or medication.
- Never let a child or inexperienced person operate the machine.
- Wear hearing protection.
- Never start or run the engine inside a closed room or building. Breathing exhaust fumes can kill.
- For respiratory protection, wear a protection mask while emitting the chain oil mist and dust from sawdust.
- Keep handles free of oil and fuel.
- Keep hands away from cutting equipment.
- Do not grab or hold the unit by the cutting equipment.
- When the unit is turned off, make sure the cutting attachment has stopped before the unit is set down.
- When operation is prolonged, take a break from time to time so that you may avoid possible whitefinger disease which is caused by vibration.
- The operator must obey the local regulations of cutting area.

#### Unit / machine safety

- Inspect the entire unit / machine before each use. Replace damaged parts. Check for fuel leaks and make sure all fasteners are in place and securely tightened.
- Replace parts that are cracked, chipped or damaged in any way before using the unit / machine.
- Make sure the safety guard is properly attached.
- Keep others away when making carburetor adjustments.
- Use only accessories as recommended for this unit / machine by the manufacturer.

- Never let the chain strike any obstacle. If the chain makes contact, the machine should be stopped and checked carefully.
- Make sure the automatic oiler is working. Keep the oil tank filled with clean oil. Never let chain run dry on the bar.
- All chainsaw service, other than the items listed in the operator's/owner's manual, should be performed by competent chain-saw service personnel. (For example, if improper tools are used to remove the flywheel or if an improper tool is used to hold the flywheel in order to remove the clutch, structural damage to the flywheel could occur and could subsequently cause the flywheel to burst.)

#### ⚠ WARNING!

**Never modify the unit / machine in any way. Do not use your unit / machine for any job except that for which it is intended.**

#### ⚠ WARNING!

**Never use chain saw without any safety equipment or that has faulty safety equipment. It could result in serious personal injury.**

#### ⚠ WARNING!

**Using guide bar/chain other than recommended by the manufacturer which is not approved, could result in a high risk of personal accidents or injury.**

#### Fuel safety

- Mix and pour fuel outdoors and where there are no sparks or flames.
- Use a container approved for fuel.
- Do not smoke or allow smoking near fuel or the unit/machine or while using the unit/machine.
- Wipe up all fuel spills before starting engine.
- Move at least 3 m away from fueling site before starting engine.
- Stop engine before removing fuel cap.
- Empty the fuel tank before storing the unit / machine. It is recommended that the fuel be emptied after each use. If fuel is left in the tank, store so fuel will not leak.
- Store unit/machine and fuel in area where fuel vapors cannot reach sparks or open flames from water heaters, electric motors or switches, furnaces, etc.

#### ⚠ WARNING!

**Antivibration systems do not guarantee that you will not sustain whitefinger disease or carpal tunnel syndrome. Therefore continual and regular users should monitor closely the condition of their hands and fingers. If any of the above symptoms appear, seek medical advice immediately.**

#### Cutting safety

- Do not cut any material other than wood or wooden objects.
- For respiratory protection, wear an aerosol protection mask when cutting the wood after insecticide has been applied.
- Keep others including children, animals, bystanders and helpers outside the hazard zone. Stop the engine immediately if you are approached.
- Hold the unit/machine firmly with the right hand on the rear handle and the left hand on the front handle.
- Keep firm footing and balance. Do not over-reach.
- Keep all parts of your body away from the muffler and cutting attachment when the engine is running.
- Keep bar / chain below waist level.
- Before felling a tree, the operator must be accustomed to the sawing techniques of the chain saw.

- Be sure to pre-plan a safe exit from a falling tree.
- While cutting, hold saw firmly with both hands with thumb firmly locked around front handle, and stand with feet well balanced and your body balanced.
- Stand to the side of the saw when cutting never directly behind it.
- Always keep the spiked bumper face to a tree, because the chain may suddenly be drawn into a tree.
- When completing a cut, be ready to hold up the units as it breaks into clear, so it will not follow through and cut your legs, feet or body, or contact an obstruction.
- Be alert against kickback (when saw kicks up and back at operator). Never cut with the nose of the bar.

#### Maintenance safety

- Maintain the unit/machine according to recommended procedures.
- Disconnect the spark plug before performing maintenance except for carburetor adjustments.
- Keep others away when making carburetor adjustments.
- Use only genuine MARUYAMA replacement parts as recommended by the manufacturer.

#### ⚠ WARNING!

**Improper maintenance could result in serious engine damage or in serious personal injury.**

#### Transport and storage

- Carry the unit/machine by hand with the engine stopped and the muffler away from your body.
- Allow the engine to cool, empty the fuel tank, and secure the unit/machine before storing or transporting in a vehicle.
- Empty the fuel tank before storing the unit/machine. It is recommended that the fuel be emptied after each use. If fuel is left in the tank, store so fuel will not leak.
- Store unit/machine out of the reach of children.
- Make sure engine switch is off when transporting or storing.
- When transporting or storage your chain saw, make sure the appropriate guide bar protector is in place.
- Clean and maintenance the unit carefully and store it in the dry place.

If situations occur which are not covered in this manual, take care and use common sense. Contact your dealer if you need assistance. Pay special attention to statements preceded by the following words:

#### ⚠ WARNING!

**Indicates a strong possibility of severe personal injury or loss of life, if instructions are not followed.**

#### CAUTION!

Indicates a possibility of personal injury or equipment damage, if instructions are not followed.

#### NOTE!

Helpful information for correct function and use.

## 2. Précautions et consignes de sécurité

### Fr Sécurité de l'utilisateur

#### ⚠ ATTENTION!

Cette tronçonneuse à chaîne (MCV-331T) est spécialement destinée à l'entretien et à la chirurgie des arbres. Tous les travaux effectués avec cette tronçonneuse ne peuvent être effectués que par un personnel élagueur. Observez la documentation correspondante et les informations d'une association professionnelle. La non-observation peut entraîner d'importants risques d'accident. Si vous travaillez avec la tronçonneuse dans des arbres, nous vous recommandons de toujours utiliser une plate-forme de travail. Le travail avec la technique de descente en rappel est extrêmement dangereux et ne peut être effectué qu'à l'issue d'une formation spéciale. L'utilisateur doit être initié à l'utilisation des équipements de sécurité et des techniques de travail et d'escalade. Si des travaux sont effectués dans des arbres, l'usage de sangles, de cordes et de mousquetons est impératif. Utiliser les systèmes de retenue pour la tronçonneuse et l'utilisateur.

- L'opérateur doit être le soin en coupant des branches de et/ou d'arbres dans le service d'arbre operation (MCV-331T).
- L'opérateur doit être le soin supplémentaire de "patinant" et "rebondissant" en coupant, le plus grand risque pour le dessous-de-table et tombant à la fin d'une coupure que la chaîne a vu pour le travail d'exploitation des forêts.
- L'opérateur doit utiliser de tout équipement de sûreté supplémentaire recommandé tel qu'harnais, les boucles, sangle, la corde et karabiners pour se et pour le saw (MCV-331T).
- Portez toujours une visière et des lunettes de protection.
- Vous devez toujours porter des gants de protection lorsque vous affûter la chaîne.
- Toujours la sûreté d'usure équipement protectif tel que veston, le pantalon, les gants, le casque, les bottes avec les ortiel-casquettes d'acier et les semelles non-erreur quand vous utilisez une chaîne a vu. Pour travailler dans les arbres les bottes de sûreté doivent être convénables pour la montée, les techniques de ing. Évitez les vêtements amples, les shorts, les sandales et les pieds nus. Veillez à attacher vos cheveux s'ils sont longs.
- N'utilisez ces machines que si vous êtes en pleine possession de vos moyens physiques. Évitez strictement la consommation d'alcool, de drogue ou de médicaments.
- Ne jamais laisser un enfant ou une personne inexpérimentée se servir de ces machines.
- Portez un dispositif de protection contre le bruit pour vos oreilles.
- Pour la protection respiratoire, porter un masque quand le brouillard d'huile de chaîne et la poussière forment de la sciure.
- Ne mettez jamais le moteur en marche dans un local clos, les gaz d'échappement étant toxiques.
- Nettoyez les poignées de toute trace d'huile ou de carburant.
- N'approchez jamais les mains du guide-chaîne et de la chaîne.
- Ne jamais attraper, ni tenir la machine par l'extrémité du guide-chaîne.
- Après l'arrêt de la tronçonneuse, attendez l'arrêt complet de la chaîne de coupe avant de poser la machine.
- Lors d'une utilisation prolongée, veillez à faire une pause périodiquement, afin d'éviter des troubles éventuels provoqués par les vibrations.
- L'utilisateur de la machine doit se conformer aux réglementations locales de la région dans laquelle il effectue la coupe.

#### Règles de sécurité concernant l'utilisation de la machine.

- Contrôlez entièrement votre machine avant chaque utilisation. Remplacez les pièces endommagées. Vérifiez l'absence de fuites de carburant et assurez-vous que tous les dispositifs de fixation sont en place et solidement fixés. Remplacez les éléments de la machine qui présentent des fissures, des ébréchantures ou toute autre avarie.
- Vérifiez que les systèmes de sécurité sont bien opérant.
- Ne laissez personne s'approcher lorsque vous réglez le carburateur.

Utilisez uniquement les accessoires recommandés par le constructeur pour cette machine. Ne jamais laisser la chaîne frapper contre un obstacle quelconque. Si la chaîne rencontre un obstacle, il est nécessaire d'arrêter le fonctionnement de la machine et de l'inspecter soigneusement pour voir si elle n'est pas endommagée. Assurez-vous que le système de graissage automatique fonctionne normalement. Le réservoir d'huile devra toujours être suffisamment rempli d'huile propre. Ne jamais laisser la chaîne tourner à sec sur le guide-chaîne. Tous les travaux concernant la tronçonneuse, outre que les rubriques indiquées dans le manuel d'entretien de l'utilisateur, doivent être effectués par un personnel apte au service après-vente des tronçonneuses. (Par exemple, si on emploie des outils incorrects pour extraire le volant du moteur ou si on utilise un outil incorrect pour maintenir ce volant, afin d'enlever l'embrayage, il se peut qu'un tel procédé n'entraîne une avarie structurale du volant du moteur et ne provoque ensuite l'éclatement de celui-ci.

#### ⚠ ATTENTION!

Ne modifiez en aucun cas la machine. N'utilisez jamais la machine pour toutes autres tâches que celles auxquelles elle est destinée.

#### ⚠ ATTENTION!

Ne jamais utiliser une tronçonneuse sans aucun équipement de sécurité ou celle dont l'équipement de sécurité est en mauvais état. Il pourrait aboutir à des blessures graves.

#### ⚠ ATTENTION!

Si on emploie un guide ou une chaîne différente de celle qui a été recommandée par le fabricant et qui n'est pas approuvée, il se peut qu'il s'ensuivrait un risque probable d'accidents ou de blessures.

#### Sécurité au niveau du carburant

- Faites le mélange et le plein à l'air libre, à distance de toute étincelle ou flamme.
- Utilisez pour l'essence un récipient agréé.
- Ne fumez pas et ne laissez personne fumer à proximité du carburant ou de la machine, ni lorsque vous utilisez la machine. Essayez soigneusement toutes les traces de carburant avant de mettre le moteur en marche.
- Pour démarrer la tronçonneuse, écartez-vous d'au moins 3 mètres de l'endroit où vous avez fait le plein. Arrêtez le moteur avant de dévisser les bouchons des réservoirs de carburant ou d'huile.
- Vidangez le réservoir de carburant avant de remettre la machine. Il est en fait recommandé de le faire après chaque utilisation. Si le réservoir n'est pas vide, rangez alors votre la machine dans une position telle que le carburant ne risque pas de couler.
- Remisez la machine et le carburant dans un endroit où les vapeurs d'essence ne risquent pas d'entrer en contact avec des étincelles ou une flamme en provenance d'un chauffe-eau, d'un moteur électrique, d'un commutateur, d'une chaudière, etc.

#### ⚠ ATTENTION!

Les systèmes anti-vibrations, aussi bon soient-ils, ne garantissent pas que vous ne souffrirez pas de la maladie des doigts blancs, ni du syndrome du canal carpien. Par conséquent, si vous vous servez de façon régulière et continue de votre tronçonneuse, surveillez soigneusement l'état de vos mains et de vos doigts. Si l'un des symptômes ci-dessus venait à apparaître, il serait indispensable de vous faire examiner

#### Sécurité au niveau de la coupe

- N'essayez pas de couper des matériaux autres que du bois ou des objets en bois avec ces tronçonneuses.
- Pour assurer la protection de vos voies respiratoires, porter un masque de protection contre les aérosols lorsque vous coupez du bois qui a été traité avec des insecticides.
- Éloignez toutes les personnes (enfants, passants, aides, etc.) et tous les animaux se trouvant dans la zone dangereuse. Arrêtez immédiatement le moteur si quelqu'un s'approche de vous.
- Tenir l'unité/machine fermement avec la main droite sur la poignée postérieure et la gauche sur la poignée de devant.
- Tenez vous bien en équilibre sur vos deux jambes. Ne travaillez jamais en porte-à-faux.
- Demeurez toujours éloigné du silencieux d'échappement et de l'ensemble de coupe lorsque le moteur est en fonctionnement.
- Maintenir le guide-chaîne en-dessous de la taille.
- Avant d'abattre un arbre, l'utilisateur devra se familiariser avec les techniques de coupe et d'abattage à l'aide d'une tronçonneuse.
- Avant d'abattre un arbre, s'assurez de l'exis-tence d'un abri sûr à proximité.
- Au cours d'une opération de tronçonnage maintenir la machine fermement des deux

mains avec le pouce bien bloqué autour de la poignée avant et les pieds bien stables au sol.

- Se tenir légèrement sur le côté de la tronçonneuse lorsqu'on effectue une coupe et non pas directement derrière la machine.
- Toujours maintenir la griffe d'abattage à la surface de l'arbre, parce que la chaîne peut être entraînée soudainement vers l'intérieur de l'arbre.
- Lorsque la coupe est terminée, se tenir prêt à tenir fermement l'outil car il se libère brusquement, pour ne pas en perdre le contrôle et risquer de se couper les jambes, les pieds ou le corps, ni de le toucher.
- Faire attention à tout retour en arrière (lorsque la tronçonneuse avance et recule par rapport à l'utilisateur), et ne couper jamais avec l'extrémité du guide-chaîne.

#### Sécurité au niveau de l'entretien

- Faire attention à tout retour en arrière (lorsque la tronçonneuse avance et recule par rapport à l'utilisateur), et ne couper jamais avec l'extrémité du guide-chaîne. Entretenez votre machine selon les recommandations du constructeur.
- Débranchez la bougie avant toute intervention d'entretien, à l'exception des opérations de réglages du carburateur.
- Ne laissez personne s'approcher de la machine lorsque vous procédez au réglage du carburateur.
- Utilisez uniquement des pièces de rechange d'origine MARUYAMA.

#### ⚠ ATTENTION!

L'entretien incorrect pourrait aboutir à une avarie très importante du moteur ou à des blessures graves.

#### Transport et rangement

- Portez la machine avec le moteur arrêté et le silencieux orienté vers l'extérieur.
- Laissez le moteur refroidir, videz le réservoir de carburant et veillez à ce que la machine ne risque pas de tomber lorsque vous la rangez ou la chargez à bord d'un véhicule.
- Vidangez le réservoir de carburant avant de remettre la machine. Il est en fait recommandé de le faire après chaque utilisation. Si le réservoir n'est pas vide, rangez alors votre outil dans une position telle que le carburant ne risque pas de couler.
- Remisez la machine hors de portée des enfants.
- Assurez vous que le commutateur d'arrêt du moteur est bien sur la position "stop" lors du transport ou du remisage de la machine.
- Lors du transport ou du remisage de la scie à chaîne, bien veiller à ce que le guide-chaîne approprié soit en place.
- Nettoyer et entretenir l'outil soigneusement et le remiser dans un endroit sec.

Si vous rencontrez une situation non prévue dans le manuel, utilisez votre jugement et votre bon sens, et si vous avez besoin de conseils, adressez-vous à votre agent.

Dans les textes qui suivent, les passages particulièrement importants sont mis en évidence de trois manières différentes selon leur niveau de risque ou la gravité des dommages qui peut en résulter:

#### ⚠ ATTENTION!

Information de première importance pour éviter des dommages corporels graves ou mortels.

#### IMPORTANT!

Information importante afin d'éviter les dommages corporels ou matériels.

#### REMARQUE!

Information importante pour la compréhension d'une intervention, évitant ainsi des erreurs.



## 2. Avvertenze ed istruzioni di sicurezza

### Ⓜ Sicurezza dell'operatore

#### ⚠ ATTENZIONE!

L'uso di questa motosega a catena (MCV-331T) è previsto appositamente per la cura e la manutenzione degli alberi. Tutti i lavori con questa motosega possono essere eseguiti esclusivamente da operai specializzati nella cura degli alberi e addestrati per l'uso di tali attrezzi. Consultare i libri pertinenti ed osservare le avvertenze dell'associazione di categoria. L'inosservanza di quanto prescritto è connessa ad un alto pericolo di incidenti. Se la motosega deve essere utilizzata per eseguire lavori negli alberi consigliamo di servirsi sempre di un'impalcatura. Lavorare con la tecnica dell'arrampicata con la corda è estremamente pericoloso ed è consentito solo in seguito ad addestramento specifico. L'utente deve essere addestrato nell'uso dell'attrezzatura di sicurezza e nelle tecniche di lavoro e arrampicata. Quando il lavoro viene svolto sugli alberi devono essere utilizzati cinture, corde e moschettoni. Utilizzare i sistemi di sostegno per la motosega e per l'utente.

- L'operatore deve prestare attenzione durante il taglio di alberi e/o rami mentre esegue operazioni di mantenimento degli alberi (MCV331T).
- L'operatore deve prestare molta attenzione allo scivolamento e il rimbalzo durante il taglio, esistono gravi rischi di rinculo o caduta alla fine del taglio con la motosega durante lavori forestali.
- L'operatore deve utilizzare tutti i dispositivi di sicurezza aggiuntivi, quali imbracatura, cappi, cinghie, funi, per se stesso e per la motosega (MCV331T).
- Indossare sempre una protezione per il viso oppure occhiali di protezione.
- Indossare dei guanti durante l'affilimento della catena.
- Ogni volta che utilizzate una motosega, indossate sempre protezioni di sicurezza come giubbotto, pantaloni lunghi, guanti, casco, stivali con punta in acciaio e soles antiscivolo. Per il lavoro sugli alberi, indossate stivali di sicurezza adeguati alla scalata. Non indossare vestiti leggeri, gioielli, pantaloni corti, sandali e non camminare senza scarpe. I capelli devono essere tirati su, sopra le spalle.
- Non usare la macchina se si è stanchi, malati oppure dopo aver ingerito medicinali, droghe o alcolici.
- Non consentire mai l'uso della macchina a bambini o a persone prive di esperienza.
- Proteggere le orecchie.
- Per proteggere l'apparato respiratorio, indossare una maschera di protezione durante l'emissione di vapori d'olio della catena e polvere di segatura.
- Aver cura nel mantenere pulita l'impugnatura, senza la presenza di olio o carburante.
- Tenere le mani lontane dalla lama.
- Non afferrare o tenere l'unità per la lama.
- Quando si spegne l'unità, accertarsi che il dispositivo di taglio si sia fermato prima di deporre l'unità.
- Quando si usa l'unità per periodi prolungati, fare una pausa di tanto in tanto in modo da evitare il rischio della malattia delle dita bianche, che è causata dalle vibrazioni.
- L'operatore deve attenersi alle normative locali della zona in cui effettua il taglio.

#### Sicurezza dell'unità/macchina

- Controllare l'unità/macchina prima dell'uso. Sostituire le parti danneggiate. Controllare la presenza di eventuali perdite di carburante e verificare che i collegamenti siano ben serrati. Sostituire le parti rotte e danneggiate prima di usare l'unità/macchina.
- Controllare che la protezione sia applicata correttamente. Tenere gli estranei a distanza durante la registrazione del carburatore.
- Usare esclusivamente gli accessori consigliati per l'unità/macchina dalla casa costruttrice.

- Non far urtare mai la catena contro altri ostacoli. Se ciò dovesse avvenire, spegnere il motore e controllare accuratamente l'unità/macchina.
- Accertarsi che la pompa dell'olio funzioni.
- Rifornire il serbatoio dell'olio con olio pulito. Non far girare mai la catena a secco sulla lama.
- L'assistenza sulla motosega, a parte i particolari indicati nel manuale di uso e manutenzione dell'utente / del proprietario, deve essere effettuata da personale qualificato per le riparazioni delle motoseghe. (Per esempio, se si usano attrezzi inadatti per togliere il volano o se si usa un attrezzo inadatto per sostenere il volano mentre si toglie l'innesto, potrebbero verificarsi avarie strutturali del volano con conseguente rottura dello stesso).

#### ⚠ ATTENZIONE!

Non modificare mai l'unità/macchina in nessun modo.

Non usate l'unità/macchina di taglio per lavori diversi da quelli ai quali è destinato.

#### ⚠ ATTENZIONE!

Non fare mai uso di una motosega a catena senza materiale di sicurezza o con materiale di sicurezza difettoso perché potrebbe condurre a ferite gravi.

#### ⚠ ATTENZIONE!

Se si usa una barra catena o una catena differente da quella raccomandata dal fabbricante e che non è stata approvata, potrebbe incorrere in un rischio probabile di incidenti o di ferite.

#### Sicurezza del carburante

- Mescolare e versare il carburante all'esterno, lontano da fiamme e scintille.
- Usare recipienti omologati per i carburanti.
- È vietato fumare nelle vicinanze del carburante, dell'unità/macchina e durante l'uso di quest'ultima.
- Ripulire eventuali perdite di carburante prima di avviare il motore.
- Prima di mettere in moto, spostarsi di almeno 3 metri dalla zona di rifornimento del carburante.
- Arrestare il motore prima di rimuovere il tappo del serbatoio.
- Svuotare il serbatoio del carburante prima di riporre l'unità/macchina dopo l'uso. In caso di sia del carburante residuo, controllare che non ci sia la possibilità di fuoriuscita del carburante.
- Riporre l'unità/macchina e il carburante al sicuro, lontano da fiamme o scintille generate da interruttori, motori elettrici, scaldacqua o simili.

#### ⚠ ATTENZIONE!

I sistemi antivibrazioni non garantiscono che potrete evitare malattie come le dita bianche o la sindrome del tunnel carpale. Pertanto, coloro che usano l'unità continuamente e regolarmente devono tenere sotto stretto controllo le condizioni delle mani e delle dita. Se compaiono i sintomi di una delle malattie sopracitate, consultare un medico immediatamente.

#### Sicurezza di taglio

- Non tagliare materiali diversi da legname o oggetti in legno.
- Per proteggere le vie respiratorie, indossare una maschera di protezione da aerosol quando si taglia il legno di alberi su cui sono stati usati degli insetticidi.
- Tenere le altre persone, i bambini, gli animali ed altri estranei fuori della zona. Arrestare immediatamente il motore se qualcuno si avvicina alla macchina.
- Impugnate saldamente la macchina con la mano destra sull'impugnatura posteriore e la mano sinistra su quella anteriore.
- Mantenere sempre una posizione di equilibrio. Non sbilanciarsi.
- Quando il motore è in moto, non avvicinare la marmitta e il dispositivo di taglio al corpo.
- Tenete la lama/catena al di sotto del livello della vita.
- Prima di abbattere un albero, l'operatore deve acquisire una buona conoscenza delle tecniche di taglio con la motosega.
- Accertarsi di predisporre una via di fuga sicura prima di abbattere un albero.

- Durante le operazioni di taglio, tenere ben stretta la motosega con entrambe le mani, circondando saldamente l'impugnatura anteriore con il pollice, e tenere sempre i piedi in una posizione ben stabile e il corpo ben bilanciato.
- Durante il taglio mantenersi sempre di fianco rispetto alla motosega; non stare mai direttamente dietro ad essa.
- Mantenere sempre il rampone rivolto verso l'albero, poiché la catena potrebbe improvvisamente essere trascinata all'interno dell'albero.
- Quando state per completare un taglio, siate pronti a sollevare l'unità non appena ultimato il taglio, in modo che l'unità non prosegua oltre e possa causare ferite alle vostre gambe, piedi o corpo, o venga a contatto con un ostacolo.
- Tenersi sempre pronti a fronteggiare eventuali contraccolpi (quando la motosega si solleva, rimbalza contro l'operatore), Non tagliare mai con la punta della lama.

#### Sicurezza della manutenzione

- Per la manutenzione dell'unità/macchina seguire i procedimenti indicati.
- Staccare la candela prima delle operazioni di manutenzione, ad eccezione della registrazione del carburatore.
- Tenere gli estranei a distanza durante la registrazione del carburatore.
- Utilizzare esclusivamente pezzi di ricambio originali, raccomandati dalla casa costruttrice.

#### ⚠ ATTENZIONE!

Una manutenzione incorretta potrebbe condurre ad avarie serie del motore o a ferite gravi.

#### Trasporto e deposito

- Trasportare l'unità/macchina con cautela, a motore spento e tenendo la marmitta lontana dal corpo.
- Far raffreddare il motore, svuotare il serbatoio del carburante e bloccare l'unità/macchina prima del deposito o del trasporto.
- Svuotare il serbatoio del carburante prima di riporre l'unità/macchina. Si raccomanda di svuotare il serbatoio ogni volta dopo l'uso dell'unità / macchina. In caso di carburante residuo nel serbatoio, assicurarsi che non ci siano perdite.
- Riporre l'unità/macchina al sicuro, lontano dalla portata dei bambini.
- Assicurarsi sempre che l'interruttore del motore sia disattivato quando si trasporta o si ripone la macchina.
- Per il trasporto o la conservazione della vostra motosega, assicurarsi che l'apposita protezione della barra guida sia collocata.
- Pulire ed eseguire la manutenzione dell'unità con cura, e conservarla in un luogo asciutto.

In altri casi non previsti da questo manuale, agire con cautela e buon senso. Rivolgersi al proprio rivenditore in caso di bisogno di assistenza. Punti particolarmente significativi sono indicati in tre modi diversi a seconda del grado di importanza:

#### ⚠ ATTENZIONE!

Informazione di particolare importanza per evitare incidenti gravi o mortali.

#### IMPORTANTE!

Indicazione da seguire per evitare danni alla persona o alla macchina.

#### NOTA!

Informazione utile per un corretto uso e funzionamento.

## 2. Warn- und Sicherheitshinweise

### **Ge** Sicherheit des Bediener

#### **⚠** Sicherheit des Bedi

Diese Motorkettensäge (MCV331T) ist speziell für Baumpflege und Baumchirurgie vorgesehen. Alle Arbeiten mit dieser Motorsäge dürfen nur von ausgebildeten Baumpflegerkräften durchgeführt werden. Einschlägige Literatur und Hinweise der Berufsgenossenschaft befolgen. Bei Nichtbeachtung besteht hohe Unfallgefahr. Zur Arbeit mit der Motorsäge in Bäumen empfehlen wir stets eine Arbeitsbühne einzusetzen. Die Arbeit mit der Abseiltechnik ist extrem gefährlich und nur nach einer speziellen Ausbildung durchzuführen. Der Bediener muß im Umgang mit Sicherheitsausrüstungen und mit den Arbeits- und Klettertechniken geschult sein! Bei Arbeiten in Bäumen müssen Gurte, Seile sowie Karabinerhaken eingesetzt werden. Rückhaltesysteme für Motorsäge und Bediener anwenden.

- Beim Schneiden von Bäumen oder Ästen muss der Bediener auf seine Sicherheit achten (MCV331T).
  - Der Bediener muss beim Schneiden besonders vorsichtig sein, dass das Gerät nicht weggleitet oder abprallt, da am Ende des Schneidvorganges bei Forstarbeiten ein erhöhtes Risiko für ein Zurückschlagen oder Herunterfallen der Säge besteht.
  - Der Bediener muss die gesamte zusätzlich empfohlene Sicherheitsausrüstung, wie z.B. Gurte, Ösen, Riemen, Seile und Karabiner für sich selbst und für die Säge verwenden (MCV331T).
  - Stets Gesichtsschutz bzw. Schutzbrille tragen.
  - Verwenden Sie Handschuhe beim Kettenschärfen.
  - Bitte tragen Sie immer Schutzbekleidung, wie Schnitenschutzjacke, Gehörschutz, Schnitenschutzhose, Schutzbrille, Schutzhelm sowie Sicherheitsschuhe für das Arbeiten mit einer Motorsäge. Achten Sie bitte darauf, dass die Schutzkleidung den einschlägigen Zulassung entsprechen. Bitte tragen Sie immer Schutzbekleidung, wie Schnitenschutzjacke, Gehörschutz, Schnitenschutzhose, Schutzbrille, Schutzhelm sowie Sicherheitsschuhe für das Arbeiten mit einer Motorsäge. Achten Sie bitte darauf, dass die Schutzkleidung den einschlägigen Zulassung entsprechen.
  - Dieses Gerät darf nicht von Personen bedient werden, die übermüdet oder krank sind oder unter Alkohol- oder Medikamenteneinfluss stehen.
  - Man soll niemals erlauben, daß ein Kind oder eine unerfahrene Person die Maschine betätigt.
  - Helm, Gesichts- und Gehörschutz tragen.
  - Der Motor darf nie innerhalb geschlossener Räume oder Gebäude angelassen bzw. betrieben werden. Die Abgase können zum Tod führen.
  - Tragen Sie eine Atemschutzmaske, wenn Sie Kettenöl auftragen und Kettenstaub entfernen.
  - Die Griffe müssen frei von Öl und Kraftstoff bleiben.
  - Hände weg von den Schneidmessern!
  - Das Gerät nicht an der Schneidausrüstung aufheben oder halten.
  - Nach dem Ausschalten des Motors unbedingt mit dem Abstellen des Geräts warten, bis die Schneidausrüstung vollständig stillsteht.
  - Bei Dauerbetrieb gelegentlich eine Pause einlegen als vorbeugende Maßnahme gegen Weißfinger-Krankheit, die durch ständige Vibration verursacht wird.
  - Der Bediener muß die örtlichen Vorschriften für das Fällungsgebiet beachten.
- #### Geräte-/Maschinensicherheit
- Vor jeder Verwendung ist das gesamte Gerät zu kontrollieren. Beschädigte Teile sind auszuwechseln. Das Gerät ist auf auslaufenden Kraftstoff zu überprüfen. Es ist darauf zu achten, dass alle Befestigungsteile vorhanden und sicher angezogen sind.
  - Gerissene, ausgebrochene oder auf andere Weise beschädigte Teile sind vor Verwendung des Gerätes auszuwechseln.
  - Es ist darauf zu achten, dass der Berührungsschutz ordnungsgemäß angebracht ist.

- Während der Vergasereinstellung dürfen sich andere Personen nicht in der Nähe aufhalten.
- Nur das vom Hersteller für dieses Gerät empfohlene Zubehör darf verwendet werden.
- Darauf achten, dass die Kette nirgendwo anschlägt. Sollte die Kette anschlagen, den Motor sofort stoppen und die Kette prüfen.
- Sicherstellen, dass die automatische Schmiervorrichtung ordnungsgemäß arbeitet. Den Öltank stets mit sauberem Öl auffüllen. Die Kette darf nicht trocken auf der Sägeschiene laufen!
- Alle Arbeiten am Gerät dürfen nur von fachkundigen Personen durchgeführt werden.

#### **⚠** WARNUNG!

Keinesfalls das Gerät in irgendeiner Weise abändern. Das Schneidwerkzeug nur für die Zwecke verwenden, für die es bestimmt ist.

#### **⚠** WARNUNG!

Die Inbetriebnahme der Säge mit fehlenden oder defekten Sicherheitseinrichtungen ist untersagt!

#### **⚠** WARNUNG!

Wenn man eine Führungsstange oder eine Kette benutzt, welche vom Hersteller nicht empfohlen oder nicht bewährt wurde, die könnte eine wahrscheinliche Gefahr von Unfällen oder von Verletzungen verursachen.

#### Kraftstoffsicherheit

- Kraftstoff im Freien mischen und einfüllen. Funken und Feuer fernhalten.
- Für den Kraftstoff ist ein zugelassener Behälter zu verwenden.
- In der Nähe des Kraftstoffs, des Gerätes sowie beim Arbeiten mit dem Gerät ist das Rauchen zu unterlassen.
- Vor dem Anlassen des Motors muss verschütteter Kraftstoff restlos entfernt werden.
- Vor dem Anlassen des Motors ist das Gerät mindestens 3 m von der Kraftstoffzufüllstelle zu entfernen.
- Vor dem Abnehmen des Tankdeckels muss der Motor ausgeschaltet werden.
- Bevor das Gerät gelagert wird, muss der Tank entleert werden. Es empfiehlt sich, den Kraftstoff nach jedem Gebrauch abzulassen. Falls der Tank noch einen Rest Kraftstoff enthält, ist das Gerät so zu lagern, dass kein Kraftstoff ausläuft.
- Gerät und Kraftstoff sind an Stellen zu lagern, wo Kraftstoffdämpfe nicht mit Funken oder offenen Flammen von Wassererhitzern, Elektromotoren oder elektrischen Schaltern, Öfen usw. in Berührung kommen können.

#### **⚠** WARNUNG!

Vibrationsdämpfungssysteme sind kein garantierter Schutz gegen Weißfinger-Krankheit oder Karpaltunnelsyndrom. Daher ist bei regelmäßigem Dauereinsatz des Gerätes der Zustand von Fingern und Handwurzel gründlich zu überwachen. Falls Symptome der obengenannten Krankheiten auftreten, sofort einen Arzt aufsuchen.

#### Schneidsicherheit

- Das Gerät ausschließlich zum Schneiden von Holz und aus Holz bestehenden Gegenständen verwenden.
- Zum Schutz der Atmungsorgane beim Schneiden Holz, auf dem Insektenvernichtungsmittel versprüht wurde, eine Atemschutzmaske tragen.
- Kinder, Tiere, Umstehende, Helfer usw. dürfen sich nicht innerhalb der Gefahrenzone aufhalten.
- Bitte halten Sie die Maschine bitte wie folgt, die rechte Hand an den hinteren Griff, die linke Hand an den vorderen Griff. Achten Sie darauf das die Maschine fest in Ihren Händen gehalten wird.
- Stets für gute Standsicherheit sorgen. Nicht zu weit vorgehen.
- Mähkopf und Schalldämpfer sowie Schneid-Vorsatzgerät vom Körper fernhalten, wenn der Motor läuft.
- Die Sägeschiene/Kette stets unter der Gürtellinie halten.

- Der Bediener muss sich vor dem Fällen eines Baumes mit der Handhabung und den Funktionen der Kettensäge vertraut machen.
- Vor dem Fällen eines Baumes einen sicheren "Rückzugsweg" festlegen.
- Die Kettensäge beim Sägen mit beiden Händen und um den vorderen Griff gelegtem Daumen sicher festhalten, dabei einen festen Stand suchen, der ein sicheres Körpergleichgewicht gewährleistet.
- Das Gerät beim Sägen seitlich versetzt halten. Niemals direkt hinter der Kettensäge stehen!
- Die Anschlagsspitzen stets gegen den Baum gedrückt halten, da die Kettensäge andernfalls unvermittelt in den Stamm gezogen werden kann.
- Halten Sie Säge nach der Verwendung stabil fest, bis sie still steht, damit Sie sich nicht in die Beine, Füße oder andere Körperteile schneiden und keine andere Gegenstände berühren.
- Vorsicht Rückschlaggefahr! Niemals mit der Schienenspitze Sägen, da die Kettensäge unvermittelt gegen den Bediener zurückschlagen kann.

#### Wartungssicherheit

- Gerät gemäß Empfehlung warten.
- Vor Durchführung von Wartungsarbeiten, außer bei Vergasereinstellungen, Zündkerzenstecker abziehen.
- Bei Vergasereinstellungen andere Personen fernhalten.
- Nur original MARUYAMA Ersatzteile verwenden.

#### **⚠** WARNUNG!

Eine fehlerhafte Lagerung könnte eine ernste Motorbeschädigung oder eine ernste Verletzung verursachen.

#### Transport und Lagerung

- Gerät bei ausgeschaltetem Motor transportieren; Schalldämpfer vom Körper fernhalten,
- Motor abkühlen lassen, Kraftstofftank entleeren und Gerät absichern, bevor es in einem Fahrzeug gelagert oder transportiert wird.
- Vor der Lagerung des Gerätes Kraftstofftank entleeren. Es empfiehlt sich, den Kraftstoff nach jedem Arbeitseinsatz abzulassen. Wenn der Tank noch einen Rest Kraftstoff enthält, ist das Gerät so zu lagern, dass kein Kraftstoff ausläuft.
- Gerät an einem für Kinder unzugänglichen Ort lagern.
- Sicherstellen, daß der Schalter bei Transport oder Lagerung ausgeschaltet ist.
- Vergewissern Sie sich beim Transport und Lagern der Kettensäge, dass ein geeigneter Schutz am Leitblatt angebracht ist.
- Reinigen Sie und warten Sie die Säge sorgfältig, und lagern Sie sie an einem trockenen Platz.

Bei Situationen, die in der vorliegenden Bedienungsanleitung nicht behandelt sind, zuerst die Lage beurteilen und dann mit Vorsicht zu Werke gehen. Ziehen Sie, falls Sie Hilfe benötigen, Ihren Händler zu Rate. Besonders wichtige Abschnitte wurden auf drei verschiedene Arten hervorgehoben, diese sind abhängig vom Grad der Wichtigkeit:

#### **⚠** WARNUNG!

Information von allergrößter Wichtigkeit, um ernsthafte Personenschäden oder Todesfälle vermeiden zu können.

#### ACHTUNG!

Information von großer Bedeutung, um Personenschäden oder Schäden an der Maschine und Ausrüstung vermeiden zu können.

#### HINWEIST

Information, die eine Maßnahme klarlegt und daher wichtig ist, um Fehler vermeiden zu können.

## 2. Advertencias e instrucciones de seguridad

### Sp Seguridad del usuario

#### ⚠ ATENCIÓN!

Esta motosierra de cadena (MCV-331T) está prevista especialmente para el cuidado y la cirugía de árboles. Todos los trabajos a realizar con esta motosierra solamente podrán ser efectuado por trabajadores profesionales en cuidado de árboles. Observar la literatura especializada y las directivas de la asociación profesional y de la mutua de previsión de accidentes. La no observación producirá un alto peligro de accidentes. Para trabajar con la motosierra en los árboles, recomendamos que se use siempre una plataforma de trabajo. El trabajo con la técnica de descenso con rapel, con soga, es extremadamente peligroso y solamente deben realizarlo las personas que han recibido un adiestramiento especial. El usuario debe haber recibido una capacitación en el uso de equipos de seguridad y en técnicas de trabajo y escalamiento. Para trabajar en los árboles deben usarse cinturones, sogas y mosquetones. Usar sistemas de retención para la moto-sierra y el usuario.

- El operario debe ser el cuidado al cortar árboles y/o ramas en el servicio operation(MCV-331T de árbol).
- El operario debe ser el cuidado extra de "patinando" y "botando" al cortar, el riesgo más grande para la comisión confidencial y dejando caer a fines de un corte que cadena vio para el trabajo de la silvicultura.
- El operario debe utilizar de todo equipo adicional recomendado de la seguridad tal como arcos, los lazos, las correas, atan y los mosquetones para él mismo y para el saw(MCV-331T).
- Lleven siempre las protecciones tales como, la pantalla o gafas de seguridad.
- Utilice guantes protectores cuando afile la cadena.
- Siempre seguridad de uso el equipo protector tal como chaqueta, los pantalones, los guantes, el casco, las botas con puntera de acero y suelas de no-tropiezo siempre que usted utiliza una cadena vio. Para trabajar en árboles las botas de la seguridad deben ser convenientes para la subida, las técnicas de ing. No se pongan prendas sueltas, joyas, pantalones cortos, sandalias ni descalzo. Arréglese la cabellera de tal forma que no pueda alcanzar el hombro.
- No operen esta máquina cuando estén cansados, enfermos o bajo la influencia del alcohol, drogas o medicamentos.
- No degen a los niños o personas inexpertas para que operen esta máquina.
- Lleven las protecciones de oídos.
- Nunca pongan en marcha esta máquina dentro de un local cerrado o edificio. La respiración de los gases de escape puede causar la muerte.
- Como protección respiratoria, colóquese una máscara protectora contra el vapor de aceite y el serrín emitidos por la cadena.
- Mantengan la manilla libre de aceite y combustible.
- Mantengan las manos alejadas de la cuchilla de corte.
- No agarre esta unidad por el equipo de corte.
- Cuando para la unidad, aseguren que el aditamento de corte se haya detenido antes de apoyarla sobre el suelo.
- Durante la operación prolongada, se recomienda interrumpir de vez en cuando para evitar la posible enfermedad de dedos blancos causada por las vibraciones.
- El operador deberá respetar los reglamentos locales del área de tala.

#### Seguridad de la unidad de máquina

- Inspeccione siempre la unidad de máquina antes de usarla. Sustituya las piezas dañadas. Compruebe que no haya fugas de combustible y asegúrese de que todas las piezas estén bien apretadas en su sitio.
- Sustituya las piezas agrietadas, rotas o deterioradas antes de poner en marcha la unidad de máquina.
- Asegurar que el protector de seguridad esté perfectamente colocado.

- Al ajustar el carburador no permita que se acerquen otras personas.
- Utilice únicamente los accesorios para esta unidad de máquina que hayan sido recomendados por el fabricante.
- Jamás deberá golpearse la cadena contra algún obstáculo. En el caso de que la cadena haga contacto deberá pararse inmediatamente de la máquina y revisar cuidadosamente.
- Comprobar el funcionamiento del lubricador automático. Mantener el tanque de aceite con aceite limpio. Jamás deberá permitirse que la cadena gire en seco sobre la barra.
- Deben efectuarse todos los trabajos de utilizar la sierra de cadena, aparte de las partidas indicadas en el manual de instrucciones del usuario / del propietario, por personal calificado para el servicio de sierra de cadena. (Por ejemplo, si se emplean herramientas incorrectas para quitar el volante o si se utiliza una herramienta incorrecta para sujetar el volante con el propósito de quitar el embrague, podría ocasionar la avería estructural del volante y causar posteriormente el estallido del volante.)

#### ⚠ ATENCIÓN!

**No deberá modificarse de ninguna manera la unidad de máquina. No usar su unidad de máquina de corte para cualquier tarea excepto para la cual se haya destinado.**

#### ⚠ ATENCIÓN!

**No se utilice nunca una sierra de cadena sin ningún equipo de seguridad o una cuyo equipo de seguridad está defectuoso. Heridas graves podrían producirse como consecuencia.**

#### ⚠ ATENCIÓN!

**Si se utiliza una barra de guía o una cadena diferente de la que fué recomendada por el fabricante y que no está aprobada, el operario encargado podría correr el riesgo probable de accidente o de heridas.**

#### Seguridad para con el combustible

- Mezcle y cargue el combustible al aire libre, en lugares donde no se produzcan chispas ni fuegos.
- Utilice para el combustible un recipiente adecuado.
- No fume ni deje fumar a otras personas en las cercanías del combustible o de la unidad de máquina mientras esta está en marcha.
- Limpie los residuos de combustible antes de poner en marcha el motor.
- Antes de poner en marcha el motor, apártese como mínimo 3 metros del lugar en el que se ha repostado.
- Pare el motor antes de quitar el tapón del depósito de combustible.
- Antes de guardar la unidad de máquina, vacíe el depósito de combustible. Es conveniente vaciar el depósito cada vez que se ha usado la máquina. Si se deja combustible en el depósito, asegurarse de que no puedan producirse fugas.
- Almacene la unidad de máquina y el combustible en un lugar donde los vapores del combustible no puedan llegar a chispas o llamas de calentadores de agua, motores eléctricos, interruptores, hornos, etc.

#### ⚠ ATENCIÓN!

**Los sistemas antivibratorios no garantizan de que no sufra la enfermedad de dedos blancos o síndrome de túnel carpal. Por lo tanto, los usuarios continuos e regulares deberán controlar frecuentemente las condiciones de sus manos y dedos. Si aparecen alguno de los síntomas citados, deberá solicitarse inmediatamente la indicación médica.**

#### Seguridad en el corte

- No cortar ningún material que no sea madera u objetos de madera.
- Para la protección de las vías respiratorias, deberá usarse máscara de protección contra el aerosol durante el corte de madera después de la aplicación de insecticidas.

- Mantener a otras personas, niños, animales y ayudantes fuera de la zona peligrosa. Parar inmediatamente el motor cuando se acercara alguna persona.
- Tiene la unidad/máquina firmemente con la mano derecha en el asidero trasero y la mano izquierda en el asidero anterior.
- Mantenga estable el cuerpo, con los pies bien apoyados sobre el suelo. No estire demasiado el cuerpo.
- Mantenga su cuerpo apartado del silenciador de escape y el aditamento de corte mientras está en marcha el motor.
- Mantener la barra de cadena debajo del nivel de la cintura.
- Antes de talar el árbol, el operador deberá familiarizarse con la técnica del corte con la sierra de cadena.
- Antes de la tala, deberá planificarse el refugio seguro contra la caída del árbol.
- Durante la tala, deberá sostenerse firmemente la sierra con ambas manos sujetando firmemente la manija frontal con el pulgar y parado con los pies bien balanceados y con el cuerpo equilibrado.
- Pararse al costado de la sierra, pero nunca directamente detrás de la misma.
- Mantener siempre apoyado el apoyo dentado contra el árbol, porque la sierra puede ser arrastrada bruscamente hacia el árbol.
- Cuando finalice un corte, esté preparado para sujetar la unidad cuando quede libre, a fin de que no se corte las piernas, los pies, o el cuerpo, y para que no entre en contacto con una obstrucción.
- Prestar atención al contragolpe de la sierra (cuando la sierra retroceda hacia el operador) Nunca corte con el extremo de la barra.

#### Seguridad en el mantenimiento

- Mantenga la unidad de máquina según las recomendaciones.
- Antes de iniciar el mantenimiento desconecte la bujía, excepto si hay que ajustar el carburador.
- No permita que se acerquen otras personas mientras está ajustando el carburador.
- Utilice únicamente repuestos y accesorios originales de MARUYAMA recomendados por el fabricante.

#### ⚠ ATENCIÓN!

**Mantenimiento incorrecto podría conducir a una avería seria del motor o a heridas graves.**

#### Transporte y almacenamiento

- Transporte la unidad de máquina con el motor y el silenciador apartado del cuerpo.
- Antes de almacenar o transportar la unidad de máquina en un vehículo espere a que se haya enfriado el motor, vacíe el depósito de combustible y asegúrela bien.
- Vacíe el depósito antes de almacenar la unidad de la máquina. Es recomendable vaciar el depósito cada vez que se ha usado la máquina. Si se deja combustible en el depósito, asegúrese de que no puedan producirse fugas.
- Almacene la unidad de máquina fuera de alcance de niños.
- Asegúrese de que está desconectado el conmutador del motor al transportarlo o al almacenarlo.
- Cuando transporte o guarde su motosierra, cerciórese de que el protector de la barra guía apropiado esté en su lugar.
- Limpie y mantenga cuidadosamente la unidad, y gárdela en un lugar seco.

Si ocurren situaciones que no se han previsto en este manual, proceda con el máxima cuidado, teniendo buen juicio. Contacte a su distribuidor cuando necesite asesoramiento. Dedique especial atención a los apartados precedidos por las palabras siguientes:

#### ⚠ ATENCIÓN!

**Indica gran peligro de daños personales graves e incluso la muerte, si no se siguen las instrucciones.**

#### IMPORTANTE!

Indica posibilidad de daños personales o materiales, si no se siguen las instrucciones.

#### NOTA!

Indica información útil para un correcto uso y funcionamiento de la máquina.

## 2. Varningar och säkerhetsanvisningar

### (Sw) Användarens säkerhet

#### ⚠ VARNING!

De tre motorsågarna (MCV-331T) är konstruerade för skötsel och beskärning av träd. De får endast användas av personer utbildade för detta arbete. Beakta de föreskrifter, tillvägagångssätt och rekommendationer som vederbörande arbetsskyddsorganisation förmedlar. Underlåtenhet att göra detta medför stor olycksrisk. Vi rekommenderar att skylift används vid beskärning av träd. Trädbeskärning är en mycket svår teknik som kräver särskild utbildning. Användaren måste vara utbildad för och ha kunskap om såväl bruket av säkerhetsutrustning som korrekt arbets och klättringsteknik. Använd alltid säkerhetslinor för både användaren och sågen.

- Motorsågsföraren måste vara extra försiktig vid trädvård/arboristarbete. (MCV-331T)
- Motorsågsföraren måste vara extra uppmärksam på risken att sågen studsar/glider samt större risk för kickback och att tappa sågen.
- Motorsågsföraren/arboristen måste använda sig av all rekommenderad säkerhetsutrustning som selar, band, öglor, rep och karbinhakar både för sig själv och för sågen. ( MCV-331T)
- Använd alltid ansiktsskydd eller skyddsglasögon.
- Använd skyddshandskar när kedjan ska slipas.
- Använd alltid skyddskläder vid användandet av motorsåg. Jacka byxor, handskar, hjälm och halksäkra skor med stålhätta. Vid beskärning i träd ska skor användas som lämpar sig för klättring. Bär aldrig löst sittande kläder, smycken, kortbyxor eller sandaler och gå aldrig barfota. Bind upp håret så att det inte räcker nedanför axelhöjd.
- Använd inte redskapet medan du är trött, sjuk eller påverkad av alkohol, droger eller mediciner.
- Låt aldrig ett barn eller en person, som inte känner till maskinen, köra maskinen.
- Använd alltid hörselskydd.
- Starta eller kör aldrig motorn inne i ett stängt utrymme. Avgaserna kan vara livsfarliga att inandas.
- Bär en skyddsmask som andningsskydd vid utsläppande av kedjeoljedimma eller sågdamm.
- Håll handtagen fria från olja och bensin.
- Håll händerna borta från skärutrustningen.
- Håll inte sågen i skärutrustningen.
- Stanna alltid kedjan helt innan du lägger ned redskapet, när detta fränslaget.
- Försök inte att arbeta i flera timmar i ett sträck, utan ta paus då och då. Du kan på så sätt undvika de s.k. vita fingrarna som orsakas av vibrationer.
- Den som använder motorsågen måste följa de lokala föreskrifter som gäller där sågen används.

#### Redskapets säkerhet

- Kontrollera hela redskapet före varje användning. Byt ut skadade delar. Se efter så det inte förekommer något bränslsläckage och kontrollera att alla fäst detaljer finns på sina platser och är ordentligt festsatta.
- Byt ut delar som är spräckta, ytskadade eller skadade på annat sätt innan du använder redskapet.
- Se till att kedjebromsen / Kastskyddet är rätt monterat.
- Låt inte någon stå i närheten vid förgasjusteringar.
- Använd endast tillbehör av de typer, som tillverkaren rekommenderar till detta redskap.
- Se till att kedjan inte slår mot något föremål. Stanna sågen och kontrollera den noggrant, om kedjan vidrör någonting.
- Kontrollera att den automatiska kedjesmörjningen fungerar. Se till att det alltid finns ren olja i oljetanken. Låt aldrig kedjan gå torr på svärdet.
- Allt underhåll av motorsågen, som inte finns upptaget i bruksanvisningen, måste överlämnas till en kvalificerad motorsågsreparatör. (Om exempelvis fel verktyg används till att demontera svänghjulet, eller till att hålla i svänghjulet medan kopplingen demonteras, kan det uppstå strukturskador på svänghjulet som i sin tur kan leda till att svänghjulet spricker.)

#### ⚠ VARNING!

Ändra aldrig verktygets konstruktion på något sätt.

Använd inte denna motorsåg för annat ändamål än det är avsett för.

#### ⚠ VARNING!

Använd aldrig en motorsåg utan skyddsutrustning eller med felaktig skyddsutrustning, eftersom det kan resultera i allvarliga kroppsskador.

#### ⚠ VARNING!

Användning av annat svärd och sågkedja än som rekommenderats och godkänts av tillverkaren kan medföra hög risk för personskador och kroppsskador.

#### Bränslesäkerhet

- Blanda och hantera bränslet utomhus och på en plats där det inte finns någon risk för gnistor eller öppen eld.
- Använd käril, som är godkända för bränslehantering.
- Rök inte själv och tillåt inte någon annan att röka nära bränslet eller redskapet eller vid användning av redskapet.
- Torka upp utspilt bränsle före start av motorn.
- Flytta redskapet minst 3 m från tanknings-platsen före start av motorn.
- Stanna motorn innan du tar av bränslepåfyllningslocket.
- Töm bränsletanken innan du ställer undan redskapet för förvaring. Vi rekommenderar att bränslet töms efter varje användning. Om det finns bränsle kvar i tanken måste redskapet förvaras så att inte något bränsle kan rinna ut.
- Förvara redskapet och bränslet på ett ställe där bränsleångorna inte kan nå gnistor eller öppen eld från varmvattenberedare, elektriska motorer, strömmställare, värmepannor etc.

#### ⚠ VARNING!

Antivibrationssystemet garanterar inte att du inte utsätts för de s.k. vita fingrarna eller carpal tunnel syndrom. Den som kontinuerligt eller regelbundet använder denna maskin måste således kontrollera tillståndet av händerna och fingrarna noggrant. Vänd dig genast till en läkare för närmare undersökning, om något ovanligt märks i dina händer eller fingrar.

#### Arbets säkerhet

- Säg inte i något annat än träd eller träföremål.
- Tag på dig en mask för andningsskydd vid fällning av träd, om området har besprutats med insektsgift.
- Håll alla barn, djur, åskådare och medhjälpare från redskapet. Stanna omedelbart motorn, om någon kommer i närheten.
- Håll motorsågen stadigt med höger hand i bakre handtaget och med vänster hand i det främre handtaget.
- Se till att du står stadigt och med god balans. Sträck dig, aldrig för att öka räckvidden.
- Håll alla kroppsdelar borta från ljuddämpare och skärutrustning så länge motorn går.
- Håll svärdet under midjenivån.
- Den som sågar med motorsågen måste kunna hantera en motorsåg innan han / hon börjar fälla träd.
- Planera alltid en säker reträttväg undan ett fallande träd.
- Håll motorsågen stadigt med båda händerna, med tummen låst runt det främre handtaget. Stå så att du kan hålla balansen.
- Stå vid sidan av sågen vid fällning -- aldrig rakt bakom sågen.
- Håll alltid barkstödet vänt mot trädet, eftersom kedjan plötsligt kan dras in i trädet.
- Var vid kapning beredd på att hålla emot motorsågen när den kommit igenom trädet etc., så att svärdet inte fortsätter genom luften och riskerar att säga i ben, fötter eller annan kroppsdel eller i något föremål som kommer i vägen.
- Var på din vakt mot eventuella kast (när sågen slår uppåt och bakåt), i synnerhet när svärdets främre del används.

#### Skötselsäkerhet

- Sköt om redskapet enligt anvisningarna.
- Tag bort tändkabeln från tändstiftet innan du utför några underhållsarbeten med undantag för förgasinställningar.
- Låt inte någon stå i närheten vid förgasjusteringar.
- Använd endast tillbehör från MARUYAMA av de typer som tillverkaren rekommenderar till detta redskap.

#### ⚠ VARNING!

Felaktigt underhåll kan orsaka svåra skador på motorn eller leda till allvarliga kroppsskador.

#### Transport och förvaring

- Bär alltid redskapet med motorn stoppad och ljuddämparen vänd bort från kroppen.
- Låt motorn svalna, töm bränsletanken och spänn fast redskapet för förvaring eller transport i ett fordon.
- Töm bränsletanken innan du ställer undan redskapet för förvaring. Vi rekommenderar att bränslet töms efter varje användning. Om det finns bränsle kvar i tanken måste redskapet förvaras så att något bränsle inte kan rinna ut.
- Förvara redskapet oåtkomligt för barn.
- Före transport och förvaring: Kontrollera att stoppknappen står i fränslaget läge.
- Se till att ett passande svärdskydd är påsatt, när motorsågen ska transporteras o.s.v.
- Rengör och underhåll maskinen noggrant och förvara den på en torr plats.

Använd försiktighet och gott omdöme, om det uppstår några situationer som inte kan behandlas i denna bok. Tag kontakt med återförsäljaren om du behöver hjälp.

Särskilt viktiga avsnitt har i det följande markerats på tre olika sätt beroende på graden av betydelse:

#### ⚠ VARNING!

Information som är av största betydelse för att undvika allvarlig personskada eller dödsfall.

#### VIKTIGT!

Information av stor betydelse för att undvika personskada eller skada på maskin och utrustning.

#### OBSERVERA!

Information som är viktig för att klargöra en åtgärd och därmed undvika misstag

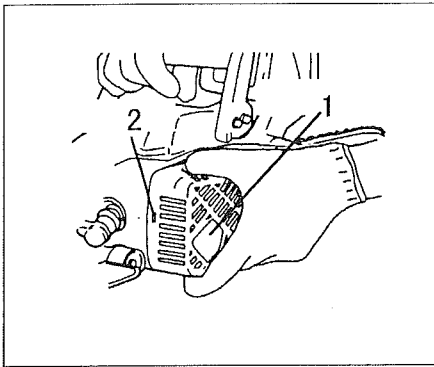


Fig.1-1

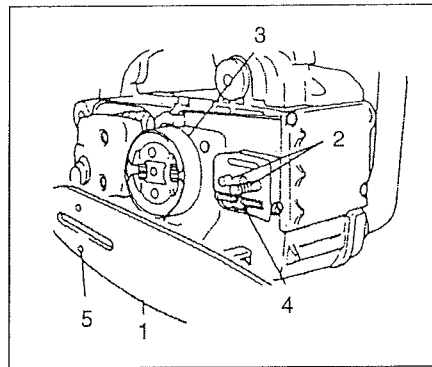


Fig.1-2

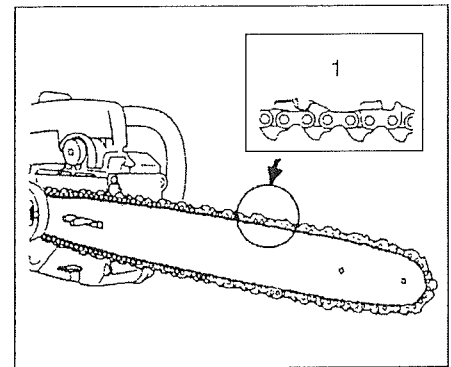


Fig.1-3

### 3. Assembly procedures

**(En) ⚠ WARNING!**

Never try to start engine without side case securely fastened.

1. Remove chain bar clamp nut.
2. Remove the side case (1) as pinching the rear part of the side case (1) . (Fig. 1-1)
3. Install the chain bar (1) onto the bolts (2), then push it toward the sprocket (3) as far as it will go. Make sure that the boss of chain tension adjust bolt (4) fits into the hole of the bar (5). (Fig. 1-2)

**NOTE!**

Slightly move the bar back and forth and make sure the chain tension boss (4) fits into the hole (5) in the bar properly.

4. Confirm the direction of saw chain (1) is correct as in the figure, and align the chain on the sprocket. (Fig. 1-3)
5. Guide the chain drive links into the bar groove all around the bar.
6. Install the side case (1) onto the guide bar clamp bolts after inserting it on the alignment / locking tab on the engine case (2). (Fig. 1-1) Then fix the clamp nut temporarily.

### 3. Montage

**(Fr) ⚠ ATTENTION!**

Ne jamais essayer de mettre le moteur en marche sans le carter latéral solidement fixé.

1. Retirer l'écrou de blocage du guide-chaîne.
2. Retirer le carter latéral (1) en tenant la partie arrière du carter latéral (1). (Fig. 1-1)
3. Installer le guide-chaîne (1) sur les tiges filetées (2), puis le pousser au maximum vers le pignon (3). S'assurer que l'ergot du boulon de réglage de tension de la chaîne (4) s'adapte correctement dans le trou du guide-chaîne (5). (Fig.1-2)

**REMARQUE!**

Déplacez légèrement le guide-chaîne vers l'avant et vers l'arrière jusqu'à ce que l'ergot (4) pénètre correctement dans le trou du guide-chaîne (5).

4. Vérifiez si la direction de la chaîne est correcte comme indiqué sur la figure et alignez la chaîne sur le pignon (Fig. 1-3).
5. Placez les maillons d'entraînement de la chaîne dans la rainure tout autour du guide-chaîne.
6. Installer le carter latéral (1) sur les tiges filetées (2) de serrage du guide-chaîne après l'avoir introduit sur le dispositif d'alignement et de verrouillage qui se trouve sur le carter du moteur (2). (Fig. 1-1)  
Puis fixer provisoirement l'écrou de serrage.

### 3. Procedimento di montaggio

**(It) ⚠ ATTENZIONE!**

Non cercare mai di avviare il motore senza il carter laterale fissato saldamente.

1. Rimuovere il dado di blocco della barra catena.
2. Rimuovere il carter laterale (1) schiacciando la parte posteriore del carter laterale (1), (Fig. 1-1)
3. Installare la barra catena (1) sui bulloni (2) e quindi spingerla verso il pignone (3) il più possibile. Assicurarsi che il perno del bullone di regolazione della tensione catena (4) entri nel foro sulla barra (5). (Fig. 1-2)

**NOTA!**

Spostare leggermente la lama indietro e avanti e accertarsi che il perno del tendicatena (4) sia inserita correttamente nel foro (5) nella lama.

4. Verificare che la catena della motosega (1) sia orientata correttamente come mostrato nella figura, e allineare la catena sulla ruota dentata. (Fig. 1-3)
5. Inserire le maglie motrici della catena nella scanalatura della lama per tutta la lunghezza della lama stessa.
6. Installare il carter laterale (1) sui bulloni di fissaggio della barra catena dopo averlo inserito sulla linguetta di allineamento/blocco sul carter del motore (2). (Fig. 1-1)  
Quindi fissare temporaneamente il dado di bloccaggio.

### 3. Zusammenbau

Ge ⚠ VORSICHT!

Den Motor niemals ohne fest angebrachtes Seitengehäuse anlassen.

1. Die Schienen-Arretiermutter entfernen.
2. Das Seitengehäuse (1) durch Zusammendrücken des hinteren Teils des Seitengehäuses (1) entfernen. (Fig. 1-1)
- \* Die Anschlagsspitze (1) (Falls vorhanden) mit den beiden Schrauben an das Werkzeug montieren. (Fig. 1-1 B)
3. Die Schiene (1) auf die Gewindebolzen (2) stecken und dann so weit wie möglich gegen das Kettenrad (3) drücken. Sicherstellen, daß die Nase der Kettenspannungseinstellschraube (4) in die Bohrung der Schiene (5) greift (Fig. 1-2)

#### HINWEIS!

- Die Schiene leicht hin und her drücken, um sicherzustellen, daß der Zapfen (4) des Kettenspanners in das Loch (5) greift.
4. Die Kette (1) in der abgebildeten Ausrichtung um das Kettenrad legen. (Fig. 1-3)
  5. Die Antriebsglieder der Kette rundum in die Nut der Schiene einpassen.
  6. Das Seitengehäuse (1) auf den Ausricht-/Sperrzapfen am Motorgehäuse (2) stecken und an die Schienenklemmschrauben montieren. (Fig. 1-1)
- Die Befestigungsmutter provisorisch aufschrauben.

### 3. Procedimiento de montaje

Sp ⚠ ATENCIÓN!

Jamás deberá intentarse el arranque del motor sin la caja lateral colocada, para ser probado con seguridad.

1. Quite la tuerca de presión de la barra de cadena.
2. Quite la tapa lateral (1), apretando parte trasera de la tapa lateral (1). (Fig. 1-1)
- \* Instale la defensa de escarpia equipada (1) (Si lo tiene equipado) a la unidad con 2 tornillos. (Fig. 1-1 B)
3. Instale la barra de cadena (1) en los tornillos (2), luego, empujela hacia la rueda dentada (3) lo más lejos posible. Asegúrese de que la cabecilla del tornillo (4) de ajuste de tensión de cadena está fija en el agujero de la barra (5). (Fig. 1-2)

#### NOTA!

- Mover ligeramente la barra hacia adelante y atrás y asegurar que la masa del tensor de la cadena (4) quede correctamente ajustado en el orificio (5) de la barra.
4. Confirmar que la dirección de la cadena sea correcta como se indica en la figura y alinear la cadena sobre la rueda dentada. (Fig. 1-3)
  5. Calzar los eslabones impulsores en la ranura de la barra en todo el contorno de la barra.
  6. Instalar la caja lateral (1) sobre el tornillo de fijación de la barra, después de insertarla en el alineamiento de la lengüeta de cierre que está sobre la caja del motor (2). (Fig. 1-1)
- Luego, apretar provisoriamente la tuerca de fijación.

### 3. Montering

Sw ⚠ VARNING!

Försök aldrig att starta motorn utan att sidokåpan är ordentligt påmonterad .

1. Lossa svärdsbultarnas muttrar.
2. Tag bort kedjedrevskåpan (1) genom att hålla dess bakre del (1) med handen. (fig. 1-1)
- \* Montera det medföljande, pliggförsedda barkstödet (1) (Om sådana finns) på enheten med de två skruvarna. (Fig. 1-1 B)
3. Montera svärdet (1) på svärdsbultarna (2), och skjut in det mot kjedjedrevet (3) så långt som det går.  
Kontrollera att tappen för kedjespännarens justerskruv(4) passas i i hålet i svärdet (5). (Fig. 1-2)

#### OBSERVERA!

- Skjut svärdet en aning bakåt och framåt för att kontrollera att kedjespännarens tapp (4) är ordentligt inpassat i hålet (5).
4. Kontrollera att sågkedjan (1) är vänd åt det håll som bilden visar och sätt därefter kedjan på kedjedrevet. (Fig. 1-3)
  5. Passa in kedjans drivlänkar i spåret runt hela sågsvärdet.
  6. Passa in kedjedrevskåpan(1) i positionshålet i bakkanten på motorkåpan (2) och montera den på svärdsbultarna. (Fig. 1-1)
- Drag därefter tillfälligt fast muttrarna till svärdsbultarna.

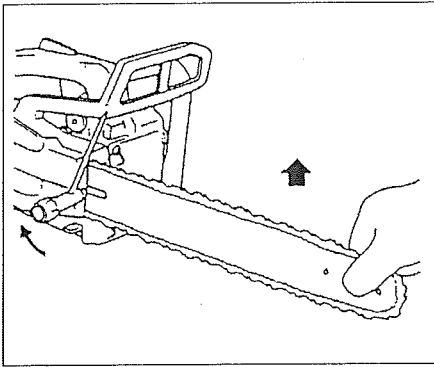


Fig.1-4

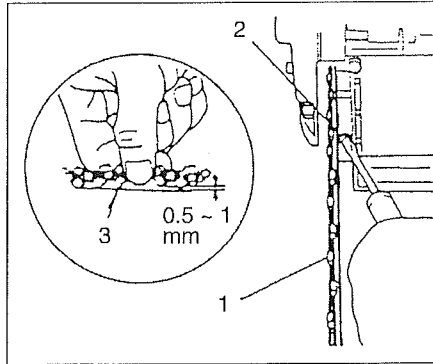


Fig.1-5

- (En) 7. Raise the bar end, and tighten the chain (1) by turning the tension adjustment bolt (2) clockwise. To check proper tension, lightly lift up the center of chain and there should be about 0.5-1.0mm clearance between bar and edge of drive link (3)

**CAUTION!**

- PROPER TENSION IS EXTREMELY IMPORTANT! (Fig. 1-4, 5)

8. Raise the bar end and securely tighten the chain bar clamp nut with the box wrench. (Fig. 1-4)
9. A new chain will stretch so adjust the chain after a few cuts and watch chain tension carefully for the first half hour of cutting.

**NOTE!**

- Check the chain tension frequently for optimum performance and durability.

**CAUTION!**

- When the chain is excessively tightened, the bar and chain will be damaged rapidly. Conversely, when the chain is excessively loosened, it may get out of the groove in the bar.
- Always wear gloves when touching the chain.

**⚠ WARNING!**

During operation, hold chain saw firmly with both hands. A single hand operation may cause serious injury.

- (Fr) 7. Soulever l'extrémité du guide-chaîne et régler la tension de la chaîne (1) en tournant la vis de réglage de tension (2) dans le sens des aiguilles d'une montre. Pour vérifier que la tension de la chaîne est adéquate, soulever légèrement le centre de la chaîne. Il faut qu'il y ait alors un jeu de 0,5 à 1,0 mm entre le guide-chaîne et le bord des maillons d'entraînement de la chaîne (3).

**IMPORTANT !**

- UNE TENSION CORRECTE DE LA CHAÎNE EST EXTREMEMENT IMPORTANTE ! (Fig. 1-4 et 1-5)

8. Soulevez à nouveau l'extrémité du guide-chaîne et serrez fermement l'écrou de serrage du guide-chaîne avec la clé à bougie (Fig. 1-4).
9. Une chaîne neuve peut s'allonger. Pour cette raison, il convient d'ajuster la tension de la chaîne après quelques coupes et d'observer attentivement et régulièrement la tension de la chaîne durant la première demi-heure d'utilisation.

**REMARQUE !**

- Vérifiez régulièrement la tension de la chaîne afin de conserver à la tronçonneuse des performances optimales et durables.

**IMPORTANT !**

- Lorsque la chaîne est trop tendue, le guide-chaîne ainsi que la chaîne risquent d'être endommagés rapidement. Inversement, lorsque la chaîne est trop détendue, elle risque de sortir de la rainure du guide-chaîne.
- Veuillez toujours mettre des gants lorsque vous manipulez la chaîne.

**⚠ ATTENTION !**

Durant l'utilisation de la tronçonneuse, tenir celle-ci fermement à l'aide des deux mains. L'utilisation de la machine avec une seule main peut entraîner des blessures graves.

- (It) 7. Sollevare l'estremità della lama e tendere la catena (1) girando il bullone di regolazione del tendicatena (2) in senso orario. Per verificare che la catena sia adeguatamente tesa, sollevare leggermente il centro della catena: fra la lama e il bordo della maglia motrice (3) dovrebbe rimanere un gioco compreso tra 0,5 e 1 mm circa.

**IMPORTANTE!**

- UNA TENSIONE ADEGUATA É ESTREMAMENTE IMPORTANTE! (Fig. 1-4,5)
8. Sollevare l'estremità della lama e serrare a fondo il dado di fissaggio della lama della catena con la chiave a tubo. (Fig. 1-4)
9. Una catena nuova tende con l'uso ad allungarsi; pertanto, regolare la tensione della catena dopo aver eseguito alcune operazioni di taglio e mantenerla sotto controllo per la prima mezz'ora di taglio.

**NOTA!**

- Controllare frequentemente la tensione della catena in modo da ottenere prestazioni ottimali e la massima durata.

**IMPORTANTE!**

- Quando la tensione della catena é eccessiva, la lama e la catena saranno soggette ad una rapida usura. Se invece la catena é eccessivamente allentata, può fuoriuscire dalla scanalatura sulla barra.
- Indossare sempre guanti da lavoro quando si manipola la catena.

**⚠ ATTENZIONE!**

Durante l'uso, afferrare sempre saldamente la motosega con entrambe le mani. É estremamente pericoloso manovrare la motosega con una mano sola.

- (Ge) 7. Das Schienenende anheben und die Kette (1) durch Drehen der Spannschraube (2) nach rechts spannen. Zum Prüfen der Spannung die Kette in Schienenmitte anheben: Die Kette ist richtig gespannt, wenn der Abstand zwischen der Schienenoberkante und der Kante des angehobenen Antriebsglieds (3) 0,5 bis 1 mm beträgt.

#### ACHTUNG!

- DIE KETTE MUSS ORDNUNGSGEMÄSS GESPANNT SEIN! (Fig. 1-4, 5)
8. Die Befestigungsmutter bei angehobenem Schienenende mit einem Steckschlüssel fest anziehen. (Fig. 1-4)
9. Eine neue Kette dehnt sich nach der Inbetriebnahme, weshalb die Spannung in den ersten 30 Betriebsminuten wiederholt kontrolliert und berichtigt werden muß.

#### HINWEIS!

- Für optimale Leistung und Zuverlässigkeit die Kettenspannung regelmäßig prüfen.

#### ACHTUNG!

- Wenn die Kette zu stark gespannt ist, treten Schäden an Kette und Schiene auf. Bei zu schwacher Spannung kann die Kette aus der Laufnut der Schiene springen.
- Die Kette nur mit Handschuhen anfassen!

#### ⚠️ WARNUNG!

Die Kettensäge beim Betrieb mit beiden Händen gut festhalten. Halten mit einer Hand ist extrem gefährlich und kann schwere Verletzungen zur Folge haben!

- (Sp) 7. Levantar el extremo de la barra y apretar la cadena (1) girando el tornillo de ajuste de tensión (2) en el sentido de las agujas del reloj. Para comprobar la tensión correcta se levantará ligeramente el centro de la cadena, debiendo existir un juego de alrededor de 0,5 - 1,0mm entre la barra y el borde del eslabón impulsor (3).

#### IMPORTANTE!

- LA CORRECTA TENSION ES SUMAMENTE IMPORTANTE! (Fig. 1-4, 5)
8. Levantar el extremo de la barra y ajustar firmemente la tuerca de fijación de la barra de la cadena con la llave de cubo. (Fig. 1-4)
9. Debido a que la cadena nueva se va estirando, deberá ajustarse la cadena después de unos cortes y observar cuidadosamente la tensión de la cadena durante los primeros 30 minutos del corte.

#### NOTA!

- Verificar frecuentemente la tensión de la cadena para lograr el óptimo rendimiento y durabilidad.

#### IMPORTANTE!

- Cuando la cadena estuviera excesivamente tensa, podrán dañarse rápidamente la barra y la cadena. En cambio, cuando la cadena estuviera excesivamente floja, la cadena podrá salirse de la ranura de la barra.
- Ponerse siempre los guantes para la manipulación de la cadena.

#### ⚠️ ATENCIÓN!

Durante la operación, deberá sostenerse firmemente la sierra con ambas manos. La operación con una sola mano podrá causar heridas serias.

- (Sw) 7. Lyft upp svärdsänden och spänn kedjan (1) genom att vrida kedjespännarens justeringsbult (2) medurs. Kontrollera spänningen genom att lyfta lätt vid kedjans mittdel. Det skall gå att lyfta en skärtand 0,5-1 mm från svärdet (3).

#### VIKTIGT!

- KORREKT SPÄNNING ÄR YTTERST VIKTIGT! (Fig. 1-4, 5)
8. Lyft upp svärdsänden och drag fast svärds muttrarna med den fasta nyckeln. (Fig. 1-4)
9. En ny kedja kommer att sträckas ut. Justera därför kedjan efter några trådfällningar och håll vaksamt ögonen på kedjespänningen under sågning ens första halvtimme.

#### OBSERVERA!

- Kontrollera kedjans spänning regelbundet för att få bästa tänkbara effektivitet och hållbarhet.

#### VIKTIGT!

- Om kedjan är för spänd, förslits svärdet och kedjan snabbt, å andra sidan kan kedjan hoppa av spåret i svärdet om kedjan är för dåligt spänd.
- Bär alltid skyddshandskar när du vidrör kedjan.

#### ⚠️ VARNING!

Håll alltid sågen stadigt med båda händerna vid användning. Om sågen används med bara en hand, kan allvarliga olycksfall inträffa.



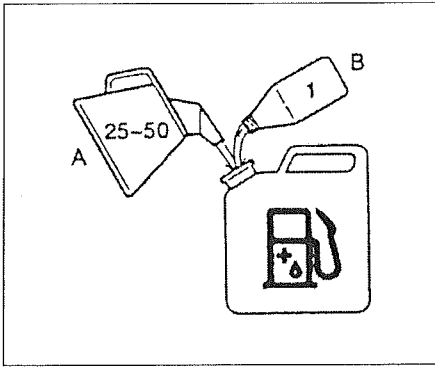


Fig. 2-1

## 4. Operating procedures

### (En) Fuel (Fig. 2-1)

#### ⚠ WARNING!

The chain saw is equipped with a two-stroke engine. Always run the engine on fuel, which is mixed with oil.

Provide good ventilation, when fueling or handling fuel.

#### Fuel

- Always use branded 89 octane unleaded gasoline.
- Use MARUYAMA 50:1 two-cycle oil or a quality two-cycle oil at mixing ratio of 25-50:1 (Gasoline (A) : Oil (B)), only for the state of California at 50:1.
- Never use multi-grade oil (10 W / 30) or waste oil.
- Always mix fuel and oil in a separate clean container.

Always start by filling half the amount of fuel, which is to be used. Then add the whole amount of oil. Mix (shake) the fuel mixture. Add the remaining amount of fuel. Mix (shake) the fuel-mix thoroughly before filling the fuel tank.

#### Fueling

#### ⚠ WARNING! (Fig. 2-1B)

- Always shut off the engine before refueling.
- Slowly open the fuel tank (1), when filling up with fuel, so that possible overpressure disappears.
- Tighten the fuel cap carefully, after fueling.
- Always move the unit at least 3 m (10 ft.) from the fueling area before starting.

Before fueling, clean the tank cap area carefully, to ensure that no dirt falls into the tank. Make sure that the fuel is well mixed by shaking the container, before fueling.

## 4. Utilisation

### (Fr) Carburant (Fig. 2-1)

#### ⚠ ATTENTION

La tronçonneuse est équipée d'un moteur à deux temps qui doit impérativement être alimenté avec un mélange essence/huile.

Veillez à une bonne aération pendant l'opération de remplissage du réservoir.

#### Essence

- Toujours utiliser de l'essence sans plomb avec un taux d'octane minimum de 89.
- Utiliser de l'huile deux temps MARUYAMA 50:1 ou une autre huile de qualité en respectant la proportion pour le mélange deux temps
- 25-50:1 (Essence (A) : Huile (B)). Ne jamais utiliser d'huile Multigrade
- (10W / 30), ni d'huile usagée. Effectuez toujours le mélange dans un récipient propre.

Toujours commencer par verser la moitié de l'essence à mélanger. Verser ensuite la totalité de l'huile. Mélanger en agitant le récipient. Enfin, verser le reste de l'essence, puis agiter le récipient afin de mélanger soigneusement le carburant avant de faire le plein.

#### Faire le plein



- **ATTENTION! (Fig. 2-1B)** Ne jamais faire le plein lorsque le moteur est en fonctionnement.
- Desserrer lentement le bouchon du réservoir de carburant (1) pour effectuer le remplissage afin de laisser échapper la surpression éventuelle.
- Serrer le bouchon soigneusement après avoir rempli le réservoir de carburant.
- Avant de redémarrer le moteur, toujours s'éloigner d'au moins 3 mètres de l'endroit où vous avez fait le plein de carburant.

Pendant le remplissage respectez les règles de propreté.

Essayez autour du bouchon du réservoir afin d'éviter que des corps étrangers ne pénètrent dans le réservoir. Les saletés qui se trouveraient dans le réservoir risquent d'occasionner des troubles de fonctionnement. Veillez à ce que le mélange soit bien homogène en agitant à intervalle régulier le récipient avant et pendant le remplissage.

## 4. Funzionamento

### (It) Carburante (Fig. 2-1)

#### ⚠ ATTENZIONE!

La motosega è equipaggiata con un motore a due tempi. Far funzionare sempre il motore con carburante che viene mescolato con olio.

Utilizzare sempre carburante mescolato con olio. Effettuare il rifornimento del carburante in luoghi ventilati.

#### Carburante

- Utilizzare sempre benzina senza piombo tipo 89.
- Utilizzare olio per motori a due tempi MARUYAMA 50:1 o un olio per motori a due tempi di buona qualità con un rapporto di miscela di 25-50:1 (benzina (A) : olio (B)), solo per lo
- stato della California di 50:1. Non usare mai olio multigrado (10W / 30) o olio di scarto.

Mescolare sempre carburante ed olio in un recipiente separato pulito.

Iniziare sempre col versare la metà del carburante che deve essere usato. Successivamente versare l'intera quantità di olio. Mescolare (agitare) la miscela. Aggiungere la restante metà del carburante. Mescolare (agitare) la miscela prima di versarla nel serbatoio.

#### Rifornimento



- **ATTENZIONE! (Fig. 2-1B)** Spegner sempre il motore prima del rifornimento.
- Quando si effettua il rifornimento di carburante, aprire lentamente il serbatoio del carburante (1) in modo da eliminare un eventuale eccesso di pressione. Stringere bene il tappo del serbatoio, dopo il rifornimento.
- Prima di metterlo in funzione l'attrezzo, allontanare sempre l'attrezzo di almeno 3 metri dalla zona dove è avvenuto il rifornimento.

Prima del rifornimento, pulire la zona intorno al tappo con cautela, per evitare la penetrazione di sporco nel serbatoio. Controllare che la miscela sia ben mescolata, agitando il recipiente, prima del rifornimento.

## 4. Betrieb

### Ge Kraftstoff (Fig. 2-1)

#### ⚠ WARNUNG!

Die Kettensäge ist mit einem Zweitaktmotor ausgestattet und muß daher mit einem Kraftstoff-Ölgemisch betrieben werden. Bei der Handhabung mit Kraftstoff für gute Entlüftung sorgen.

#### Benzin

- Stets einen bleifreien Markenkraftstoff mit einer Oktanzahl von 89 oder höher verwenden.
- MARUYAMA 50:1 Zweitaktöl oder ein anderes hochwertiges Zweitaktöl in einem Mischverhältnis von 25-50:1 (Kraftstoff (A) : Öl (B)) verwenden. (50:1 im Bundesstaat Kalifornien).
- Auf keinen Fall Mehrbereichsöl (10 W/30) oder Altöl verwenden.
- Stets Benzin und Öl in einem separaten sauberen Behälter mischen.

Zuerst die Hälfte des Benzins einfüllen. Dann die ganze Ölmenge. Die Kraftstoffmischung verrühren (schütteln). Danach das restliche Benzin hinzufügen.

Die Kraftstoffmischung sorgfältig verrühren (schütteln), bevor der Tank gefüllt wird.

#### Auftanken

#### ⚠ WARNUNG!

- Beim Auftanken immer den Motor abstellen.
- Zum Einfüllen von Kraftstoff den Kraftstofftankdeckel (1) langsam aufdrehen, um einen eventuellen Überdruck im Tank abzulassen.
- Nach dem Auftanken den Tankdeckel richtig zudrehen.
- Niemals den Motor an der Auftankstelle starten.

Beim Auftanken auf Reinlichkeit achten. Um den Tankdeckel herum sauber abwischen, Verunreinigungen im Tank können zu Betriebsstörungen führen.

Vor dem Auftanken den Kraftstoff durch Schütteln des Behälters gut mischen.

## 4. Modo de uso

### Sp Combustible (Fig. 2-1)

#### ⚠ ATENCIÓN!

La sierra de cadena está equipada con un motor de dos tiempos. El motor deberá funcionar siempre con combustible mezclado con aceite.

Asegurarse siempre de que hay buena ventilación en los lugares donde se maneja el combustible.

#### Gasolina

- Utilice siempre gasolina sin plomo de marca 89 de octano.
- Utilice el aceite de dos ciclos MARUYAMA 50:1 o aceite de calidad a razón de mezcla de 25-50:1 (Gasolina (A) : Aceite (B)), únicamente para el Estado de California a 50:1.
- No utilice nunca aceites multigrado (10W/30) ni residuales.
- Mezcle siempre la gasolina y el aceite en un recipiente especial para ello que esté limpio.

Empiece llenando el recipiente hasta la mitad con gasolina y añada luego todo el aceite.

Sacuda la mezcla y añada el resto de la gasolina.

Antes de llenar el depósito agite la mezcla cuidadosamente.

#### Repostar

#### ⚠ ATENCIÓN! (Fig. 2-1B)

- Parar siempre el motor antes de repostar.
- Para llenar el combustible del tanque, deberá abrirse lentamente la tapa del tanque de combustible (1) para que escape la sobrepresión que pueda contener.
- Después de haber repostado, apretar bien la tapa.
- Antes de arrancar la unidad, deberá alejarse por lo menos 3m (10 pies) del área de carga de combustible.

Antes de repostar, limpiar cuidadosamente el área del tapón del tanque, para asegurar que no entre suciedad en el depósito. Asegurarse de que el combustible está bien mezclado agitando bien el recipiente antes de verter su contenido en el depósito.

## 4. Användning

### Sw Bränsle (Fig. 2-1)

#### ⚠ VARNING!

Motorsågen har en tvåtaktsmotor. Kör alltid motorn med oljeblandad bensin.

Se till att ventilationen är tillfredsställande vid tankning eller hantering av bränslet.

#### Besin

- Använd alltid 95-oktanig blyfri bensin.
- Använd MARUYAMA 50:1 tvåtaktsolja eller en annan tvåtaktsolja av god kvalitet med blandförhållandet 50 : 1 [bensin (A) : olja (B)].
- Använd aldrig multigrade-olja (10W/30) eller liknande.
- Blanda alltid bensin och olja i en separat och ren behållare.

Börja med att fylla i halva bensinmängden. Fyll därefter i hela mängden olja och blanda (skaka). Fyll sedan i den resterande bensinmängden och blanda (skaka) omsorgsfullt innan blandningen hålls i bränsletanken.

#### Bränslepåfyllning

#### ⚠ VARNING! (Fig. 2-1B)

- Stanna alltid motorn vid bränslepåfyllning.
- Öppna bränsletankens lock (1) långsamt vid påfyllning av bränsle, så att eventuellt övertryck försvinner.
- Drag åt tanklocket ordentligt efter tankning.
- Flytta alltid apparaten minst 3 m åt sidan innan motorn startas.

Rengör runt tanklocket innan bränsle fylls för att hindra smuts från att falla ner i tanken. Se till att bränslet är ordentligt blandat före tankning genom att skaka bränslebehållaren.

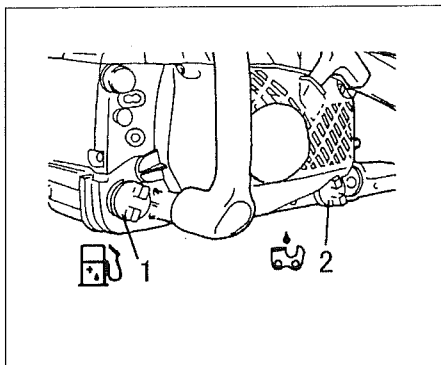


Fig.2-1B

**En Chain oil (Fig. 2-1B)**

Fill up with chain oil (2). Always use good quality chain oil. When the engine is running, the chain oil is automatically discharged.

**NOTE!**

When pouring fuel (1) or chain oil (2) into the tank, place the unit with cap side up. (Fig. 2-1B)

**ADJUSTMENT OF CHAIN OIL SUPPLY**

The chain oil quantity discharged through the lubrication system is factory adjusted to the maximum. Adjust the quantity in accordance with the operating condition.

Turn the adjusting screw (1) counterclockwise to decrease the quantity and turn it clockwise to increase the quantity. (Fig. 2-1C)

Do not try to turn the screw beyond level marks.

**Fr Huile de chaîne (Fig.2-1B)**

Remplir le réservoir (2) avec de l'huile pour chaîne. Utilisez toujours de l'huile de chaîne de bonne qualité. Lorsque le moteur est en fonctionnement l'huile de chaîne est distribuée automatiquement.

**REMARQUE!**

Lorsqu'on remplit les réservoirs soit avec du carburant (1), soit avec de l'huile de chaîne (2), placer la machine sur le côté avec les bouchons orientés vers le haut (Fig. 2-1B).

**REGLAGE DE L'ALIMENTATION EN HUILE DE CHAÎNE**

La quantité d'huile de chaîne distribuée par le système de lubrification est réglée d'origine par l'usine au débit maximum. Ajuster la quantité d'huile en conformité avec les conditions locales d'utilisation.

Pour diminuer la quantité d'huile faire tourner la vis de réglage du débit (1) dans le sens inverse des aiguilles d'une montre. La faire tourner dans le sens des aiguilles d'une montre pour augmenter la quantité d'huile (Fig. 2-1C).

Ne pas essayer de serrer la vis au-delà des marques repères "+" ou "-".

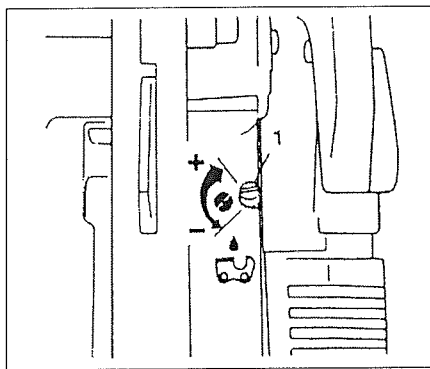


Fig.2-1C

**It Ollo per catena (Fig. 2-1B)**

Riempire con olio per catena (2). Usare sempre un olio per catena di buona qualità. Quando il motore è in funzione, l'olio per la catena viene scaricato automaticamente.

**NOTA!**

Quando si versa il carburante (1) o l'olio per la catena (2) nel serbatoio, collocare l'attrezzo con il lato con il tappo rivolto verso l'alto. (Fig. 2-1B)

**REGOLAZIONE DELLA FORNITURA DI OLIO PER LA CATENA**

La quantità di olio per la catena scaricata attraverso il sistema di lubrificazione è stato regolata in fabbrica sul massimo. Regolare la quantità secondo le condizioni di impiego. Girare la vite di regolazione in senso antiorario per ridurre la quantità, e girarla in senso orario per aumentare la quantità. (Fig. 2-1C) Non tentare di girare la vite oltre i segni di riferimento.

**Ge Kettenöl (Fig. 2-1B)**

Mit Kettenöl auffüllen (2). Stets Öl bester Qualität verwenden. Bei laufendem Motor wird die Kette automatisch mit diesem Öl geschmiert

**HINWEIS!**

Zum Einfüllen von Kraftstoff (1) oder Kettenöl (2) ist die Kettensäge so zu legen, daß die Seite mit den Tankdeckeln oben ist.

**EINSTELLUNG DER KETTENÖL-SCHMIERMENGE**

Die Schmiermenge wurde werkseitig auf maximale Schmierung voreingestellt, kann jedoch in Übereinstimmung mit den jeweiligen Einsatzbedingungen reguliert werden. Zum Verringern der Schmiermenge wird die Regulierschraube (1) nach rechts gedreht und zum Anheben nach links. (Fig. 2-1C) Die Schraube darf nicht bis über die Mengenmarkierungen hinaus verstellt werden!

**Sp Aceite para la cadena (Fig. 2-1B)**

Llenar el aceite para la cadena (2). Usar siempre el aceite para la cadena de buena calidad. El aceite para la cadena se descarga automáticamente durante el funcionamiento del motor.

**NOTA!**

Al cargar el combustible (1) o el aceite para la cadena (2) en el tanque, deberá colocarse la unidad con la tapa hacia arriba. (Fig. 2-1B)

**AJUSTE DE LA ALIMENTACIÓN DEL ACEITE PARA LA CADENA**

La cantidad de aceite para la cadena que se descarga a través del sistema de lubricación, es ajustada en la fábrica al máximo. La cantidad deberá ajustarse de acuerdo con las condiciones de operación. Para el ajuste, deberá girarse el tornillo (1) en el sentido contrario a las agujas del reloj para reducir el caudal de lubricación y en el sentido de las agujas del reloj para aumentar el caudal de lubricación. (Fig. 2-1C).

No tratar de girar más allá de las marcas de nivel.

**Sw Olja för kedjan (Fig. 2-1B)**

Fyll på olja för kedjan (2). Använd alltid olja av god kvalitet. När motorn går matas oljan automatiskt till kedjan.

**OBSERVERA!**

Vid påfyllning av bränsle (1) eller olja för kedjan (2) i tanken, skall sidan med locket vändas uppåt. (Fig. 2-1B)

**JUSTERING AV MATNINGEN AV OLJA FÖR KEDJAN**

Den mängd olja som matas genom smörjningssystemet har justerats på fabriken. Justera oljemängden efter arbetsförhållandena. Vrid justeringsskruven (1) moturs för att minska oljemängden och vrid den medurs för att öka oljemängden. (Fig. 2-1C) Försök inte att vrida skruven förbi nivåmarkeringarna.

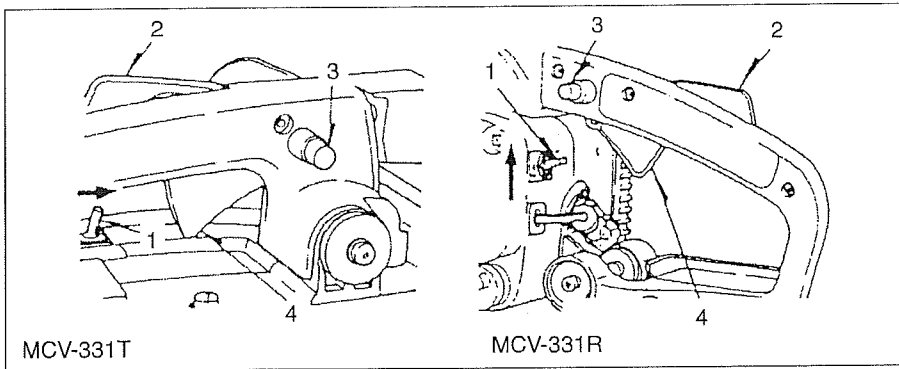


Fig.2-2

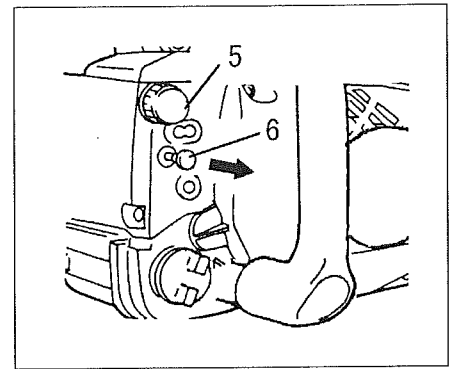


Fig.2-3

(En) Starting (Fig. 2-2, 3)

**⚠ WARNING!**

When the engine starts with the throttle lock engaged, the engine speed is high enough to make the chain rotate.

**CAUTION!**

Before starting, make sure chain brake is disengaged (if so equipped) and that the bar/chain does not touch anything.

1. Set ignition switch (1) to ON position. Push priming bulb (5) several times so that fuel flows through bulb into carburetor. (If so equipped)
2. With the safety trigger (2) pressed pull throttle trigger (4) and push throttle lock (3), then slowly release the throttle trigger first, then the safety trigger. This will lock the throttle in starting position.
3. Pull choke knob to choked position.
4. Pull recoil starter briskly, taking care to keep the handle in your grasp and not allowing it to snap back. (Fig.2-4)
5. When you hear the engine want to start, return choke knob to run position. Then pull recoil starter briskly again.

**NOTE!**

If engine does not start, repeat procedures from 2 to 5.

6. After starting engine, pull throttle trigger to release throttle lock. Then allow the engine about 2-3 minutes to warm up before subjecting it to any load.

(Fr) Démarrage (Fig. 2-2, 3)

**⚠ ATTENTION!**

Lorsque le moteur démarre avec le dispositif de verrouillage de la commande des gaz engagé le régime du moteur est suffisant pour entraîner la chaîne.

**IMPORTANT !**

Avant le démarrage, vérifiez que le frein de la chaîne est bien désengagé (si celle-ci en est équipée) et que le guide-chaîne n'est en contact avec aucun objet.

1. Placez le commutateur d'arrêt (1) en position "marche" (ON). Presser la poire de la pompe d'amorçage (5) (si la machine en est munie) à plusieurs reprises pour que le carburant puisse s'écouler vers le carburateur.
2. Tout en appuyant sur la gâchette de sécurité (2) pressez la commande des gaz (4) et pousser le dispositif de verrouillage de celle-ci (3), puis relâchez ensuite lentement la commande des gaz, puis la gâchette de sécurité. Ceci verrouillera la commande des gaz dans la position de démarrage.
3. Tirer le bouton du starter en position de fermeture (étranglé).
4. Tirer vivement sur la poignée du lanceur à retour automatique, faire attention de ne pas relâcher la poignée brusquement mais d'accompagner son retour (Fig. 2-4).
5. Dès que le moteur semble démarrer, remplacez le bouton de commande du starter en position de marche (ouvert). Puis tirez de nouveau vivement sur la poignée du lanceur.

**REMARQUE !**

Si le moteur ne démarre pas, répéter la procédure décrite entre les points 2 et 5.

6. Après avoir démarré le moteur, pressez la commande des gaz pour libérer le dispositif de blocage de celle-ci. Laissez ensuite le moteur chauffer pendant 2 à 3 minutes avant de commencer à utiliser la tronçonneuse.

(It) Avviamento (Fig. 2-2, 3)

**⚠ ATTENZIONE!**

Quando il motore si avvia con il pulsante di blocco del gas premuto, la velocità del motore è sufficientemente elevata da far girare la catena.

**IMPORTANTE!**

Prima di mettere in moto, assicurarsi che il freno catena non sia inserito (se presente) e che la lama/catena non tocchi niente.

1. Spostare l'interruttore di accensione (1) su ON. Premere ripetutamente il bulbo della pompa di adescamento (5) per far affluire la miscela al carburatore attraverso il bulbo. (se la macchina ne è fornita)
2. Con il comando di sicurezza (2) premuto, premere il comando dell'acceleratore (4) e premere il pulsante di blocco del gas (3), quindi rilasciare lentamente prima il comando dell'acceleratore e poi il comando di sicurezza. Questa operazione fa rimanere bloccato il comando dell'acceleratore nella posizione di avviamento.
3. Tirare la manopola della valvola dell'aria nella posizione di chiusura.
4. Tirare l'avviatore autoavvolgente rapidamente, facendo attenzione a tenere saldamente l'impugnatura in modo che non sfugga dalla presa e non scatti all'indietro. (Fig. 2-4)
5. Ai primi scoppi del motore, riportare la manopola della valvola dell'aria nella posizione di apertura. Quindi tirare di nuovo l'avviatore autoavvolgente rapidamente.

**NOTA!**

Se il motore non parte, ripetere le operazioni dal punto 2 al 5.

6. Dopo aver avviato il motore, tirare la leva dell'acceleratore per rilasciare il pulsante di bloccaggio acceleratore. Quindi, lasciar scaldare il motore per circa 2-3 minuti prima di sottoporlo a qualsiasi carico.

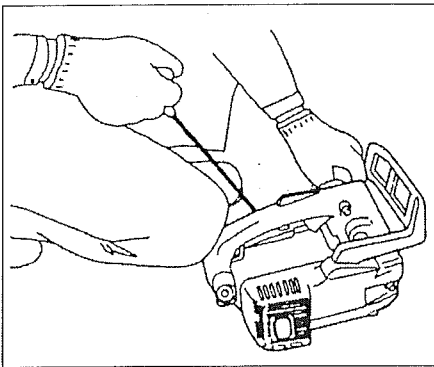


Fig. 2-4

**(Ge) Anlassen (Fig. 2-2, 3)**

**⚠ WARNUNG!**

Beim Anlassen des Motors mit gedrücktem Gaszugfeststeller wird die Kette wegen der anfänglich höheren Motordrehzahl angetrieben!

**ACHTUNG!**

Vor dem Anlassen sicherstellen, daß die Kettenbremse gelöst ist (falls vorhanden) und die Schiene/ Kette nicht mit irgendwelchen Gegenständen in Berührung kommt.

1. Den Zündschalter (1) auf ON stellen.  
\* Die Ansaugpumpe (5) mehrmals betätigen, damit Kraftstoff durch die Pumpe in den Vergaser fließt. (Optional)
2. Bei hineingedrücktem Sicherheitshebel (2) den Gashebel (4) betätigen und den Drosselklappenfeststeller (3) drücken. Danach langsam zunächst den Gashebel und dann den Sicherheitshebel loslassen. Die Drosselklappe ist nun in Anlaßposition festgestellt.
3. Den Choke bis zur Anlaßstellung herausziehen.
4. Den Griff gut mit der Hand festhalten, um Rückschläge zu verhindern, und dabei in kräftigen, schnellen Bewegungen am Zugstarter ziehen. (Fig. 2-4)
5. Wenn der Motor hörbar zündet, den Choke wieder zur Laufstellung hineindrücken. Danach erneut am Zugstarter ziehen, um den Motor anzulassen.

**HINWEIS!**

Wenn der Motor nicht anspringt, die Punkte 2 bis 5 oben wiederholen.

6. Wenn der Motor läuft, den Gashebel betätigen, um die Drosselklappensperre wieder freizugeben. Den Motor ca. 2-3 Minuten warm laufen lassen, bevor er belastet wird.

**(Sp) Arranque (Fig. 2-2, 3)**

**⚠ ATENCIÓN**

Al arrancar el motor con la traba del acelerador enganchada, la velocidad del motor será lo suficientemente elevada como para hacer girar la cadena.

**IMPORTANTE!**

Antes del arranque, aseguren de que el freno de cadena está desenganchado (en caso de que esté equipado) y que la barra de cadena no esté rozada con algo.

1. Fijar la llave de ignición (1) en la posición ON (encendida).  
\* Empujar varias veces el bulbo cebador (5) de manera que el combustible fluya a través del bulbo hacia el carburador. (Si está provista)
2. Con el gatillo de seguridad (2) presionado, tirar del gatillo del acelerador (4) y empujar la traba del acelerador (3) y luego aflojar lentamente primero el gatillo del acelerador y luego el gatillo de seguridad. De esta manera, quedará bloqueado el acelerador en la posición de arranque.
3. Extraer la perilla del cebador hacia la posición estrangulada.
4. Tirar enérgicamente del arrancador de recuperación, tomando la precaución de mantener la manija bien sujeta evitando que salte de las manos. (Fig. 2-4)
5. Al notarse que el motor esté por arrancar, deberá empujarse la perilla del cebador a la posición de marcha (abierto). Luego, tirar enérgicamente del arrancador de recuperación una vez más.

**NOTA!**

Si el motor no se pone en marcha, repítanse los puntos 2 al 5.

6. Después de arrancar el motor, tirar de la traba del acelerador para liberar el bloqueo del acelerador. Luego, permitir que el motor se caliente unos 2-3 minutos antes de someterse a cualquier carga.

**(Sw) Start (Fig. 2-2, 3)**

**⚠ VARNING!**

Om motorn startas med gasspärren intryckt, är motorns varvtal ändå tillräckligt högt för att kedjan skall rotera.

**VIKTIGT!**

Kontrollera före start att kedjebromsen frigjorts (när denna utrustning finns) och att varken klingan eller kedjan vidrör någonting.

1. Skjut stoppknappen (1) i ON-läge.  
\* Tryck på dekompressionsventilen (1) (om sådan finns, ventilen kommer att återgå när motorn startas).
2. Håll gasreglagespärren (2) nedtryckt, tryck på gasreglaget (4) och tryck in gasspärren (3). Släpp därefter först gasreglaget och därefter gasreglagespärren långsamt. Då låses gasreglaget i startläget.
3. Drag chokereglaget till choke-läge.
4. Drag snabbt i starthandtaget Var noga med att hålla fast handtaget i handen, så att det inte släpps tillbaka. (Fig. 2-4)
5. När motorn startar återställs chokeynappen till körläget (öppet läge). Drag därefter snabbt i starthandtaget igen.

**OBSERVERA!**

Upprepa momenten 2-5, om motorn inte startar.

6. När motorn startat skall du trycka in gasreglaget så att gasspärren frigörs. Varmkör motorn sedan i 2-3 minuter innan den belastas.

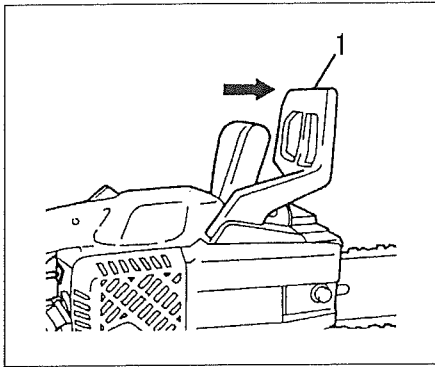


Fig.2-5

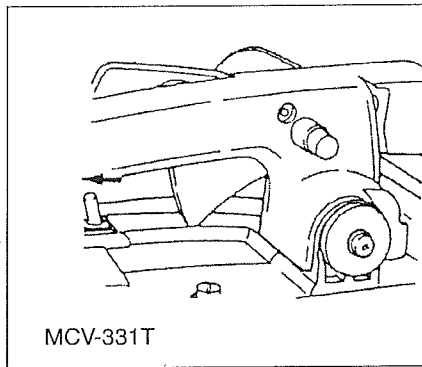
- (En) Chain brake operation (Optional) (Fig. 2-5)**  
Chain brake (1) is designed to activate in an emergency such as kick-back action. Please check to verify that it works properly before use. Application of brake is made by moving the front guard towards the bar. During the chain brake operation, even if the throttle lever is pulled, the engine speed does not increase and the chain does not turn. To release the brake, pull up the chain brake lever.

**⚠ WARNING!**

**Do not carry the machine with the engine running.**

**Stopping (Fig. 2-6)**

Decrease engine speed, and push ignition switch to stop position.



MCV-331T

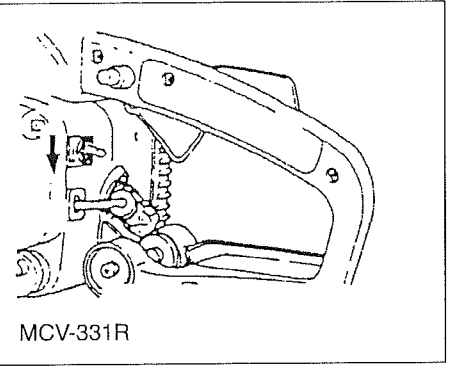
- (It) Funzionamento del freno catena (Opzionale) (Fig. 2-5)**  
Il freno catena (1) è stato progettato per l'attivazione in casi di emergenza, come ad esempio contraccolpi. Controllare che esso funzioni correttamente prima dell'uso. Questo freno viene azionato spostando il paramano anteriore verso la lama. Quando il freno catena è in funzione, anche se si preme il comando dell'acceleratore, la velocità del motore non aumenta e la catena non gira. Per disinserire il freno, tirare verso l'alto la leva del freno catena.

**⚠ ATTENZIONE!**

**Non trasportare l'attrezzo con il motore in funzione.**

**Arresto del motore (Fig. 2-6)**

Ridurre la velocità di rotazione del motore e spostare l'interruttore di accensione nella posizione di arresto.



MCV-331R

Fig.2-6

- (Sp) Operación del freno de la cadena (Opcional) (Fig. 2-5)**  
El freno de la cadena (1) está diseñado para accionar en el caso de emergencia como el movimiento de contragolpe. Antes del uso, se ruega verificar para comprobar que si funciona correctamente. La aplicación del freno se realiza desplazando la protección frontal hacia la barra. Durante la operación del freno de la cadena, no se incrementa la velocidad del motor aun cuando se apriete el gatillo del acelerador, dejando de girar la cadena. Para liberar el freno, deberá levantarse la palanca del freno de la cadena.

**⚠ ATENCIÓN!**

**No transportar la máquina con el motor en funcionamiento.**

**Parada (Fig. 2-6)**

Reducir las revoluciones del motor y poner el interruptor en la posición de parada.

- (Fr) Fonctionnement du frein de chaîne (En option) (Fig. 2-5)**  
Le frein de chaîne a été conçu pour entrer en action en cas d'urgence tel qu'un mouvement de rebond. Vérifier s'il fonctionne correctement avant d'utiliser la tronçonneuse.  
Le frein est actionné en déplaçant la protection de la poignée avant vers le guide-chaîne. Durant le fonctionnement du frein de chaîne, même si la commande des gaz est pressée, le régime du moteur n'augmente pas et la chaîne ne tourne pas. Pour dégager le frein de chaîne, tirer d'un coup sec vers l'arrière la protection de la poignée avant.

**⚠ ATTENTION!**

**Ne pas transporter la machine avec le moteur en fonctionnement.**

**Arrêt de la tronçonneuse (Fig. 2-6)**

Réduire le régime et placer le commutateur d'arrêt sur la position "arrêt" (STOP).

- (Ge) Gebrauch der Kettenbremse (Extrazubehör) (Fig. 2-5)**  
Die Kettenbremse (1) ist vorgesehen, um in Notsituationen, z. B. bei unvermitteltem Rückschlag, betätigt werden, um die Kette zum Stillstand zu bringen. Vor Inbetriebnahme prüfen, ob die Bremse ordnungsgemäß arbeitet. Zum Betätigen der Kettenbremse den vorderen Handschutz in Richtung Schiene drücken. Bei betätigter Kettenbremse bleibt die Kette festgestellt, so daß die Motordrehzahl auch bei stärkerem Drücken des Gashebels nicht zunimmt. Zum Lösen der Kettenbremse den Kettenbremshebel nach oben ziehen.

**⚠ WARNING!**

**Das Gerät nicht mit laufendem Motor über längere Strecken transportieren.**

**Abstellen (Fig. 2-6)**

Die Motordrehzahl verringern und den Zündschalter in Stopposition schieben.

- (Sw) Användning av kedjebromsen (Fig. 2-5)**  
Kedjebromsen (1) är till för att aktiveras i en nödsituation, tex. när sågen kastar bakåt. Kontrollera att den fungerar korrekt innan du börjar såga. Bromsen aktiveras när det främre handtaget skjuts mot svärdet. När kedje bromsen är aktiverad ökar inte varvtalet och kedjan står stilla, även om gasreglaget trycks in. Frigör kedjebromsen genom att dra den bakåt.

**⚠ WARNING!**

**Bär inte omkring motorsågen medan motorn går.**

**Stopp av motorn. (Fig. 2-6)**

Släpp gasreglaget och skjut stoppkontakten till STOP-läge.

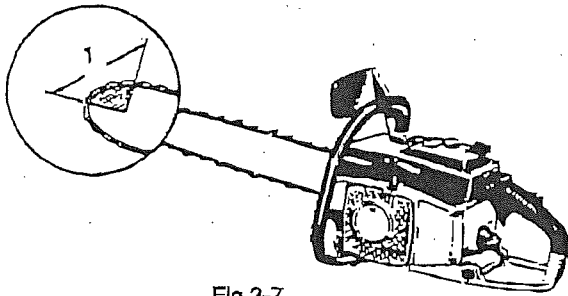


Fig.2-7

**(En) ⚠ WARNING!**

**KICKBACK DANGER (Fig. 2-7)**

One of the most severe dangers when working with a chain saw is the possibility of kickback. Kickback may occur when the upper tip of the guide bar touches an object, or when the wood closes in and pinches the saw chain in the cut. Tip contact in some cases may cause a lightning fast reverse reaction, kicking the guide bar up and back toward you. Pinching the saw chain along the top of the guide bar may also push the guide bar rapidly back towards you. Either of these reactions may cause you to lose control of the saw which could result in serious personal injury.

Even though your saw has safety built into its design, you should not rely on these safety features exclusively. Know where your bar tip is at all times. Kickback does occur if you allow the kickback zone (1) of the bar to touch an object. Do not use that area. Kickback from pinching is caused by a cut closing and pinching the upper side of the guide bar. Study your cut and make sure it will open as you cut through. Maintain control when the engine is running by always keeping a firm grip on the saw with your right hand on the rear handle, your left hand on the front handle and your thumbs and fingers encircling the handles. Always hold the saw with both hands during operation and cut at high engine speed.

**⚠ WARNING!**

Do not over-reach or cut above shoulder height.

**⚠ WARNING!**

Use extra caution when felling, and do not use the saw in a nose-high position or above shoulder height.

**CHAIN CATCHER**

The chain catcher is located on the power head just below the chain to further prevent the possibility of a broken chain striking the chainsaw user.

**⚠ WARNING!**

Do not stand in-line with chain when cutting.

**(Fr) ⚠ ATTENTION!**

**DANGER DE REBOND (Fig.2-7)**

L'un des plus grands dangers qui guette l'utilisateur d'une tronçonneuse est le risque d'un rebond ou d'un brusque mouvement de la machine vers l'arrière. Les rebonds peuvent survenir lorsque l'extrémité supérieure du nez du guide-chaîne entre en contact avec un objet ou lorsque le bois coince la chaîne durant la coupe.

Les contacts avec le nez du guide-chaîne peuvent provoquer dans certains cas une rapide réaction inverse, poussant le guide-chaîne du haut en bas vers vous. Bloquer la chaîne de la tronçonneuse du côté supérieur du guide-chaîne risque également de pousser soudainement le guide-chaîne vers vous. Chacune de ces réactions soudaines peuvent provoquer la perte de contrôle de la machine par l'utilisateur et provoquer de graves blessures.

Bien que votre tronçonneuse ait été mise au point en tenant compte de la sécurité de l'utilisateur vous ne pouvez compter uniquement sur ces dispositifs de sécurité pour assurer une utilisation parfaitement sûre. Contrôlez à tout moment la position du nez du guide-chaîne. Le rebond se produira si vous laissez la zone de rebond (1) du guide-chaîne entrer en contact avec un objet. En conséquence prenez garde de ne pas utiliser cette zone. Le rebond provoqué par un pincement ou un blocage est causé par une coupe se refermant et coinçant la partie supérieure du guide-chaîne. Étudiez soigneusement votre coupe et assurez vous que la fente de coupe s'ouvrira au fur et à mesure de l'avancement de la coupe. Conservez le contrôle de la machine lorsque le moteur est en fonctionnement en la maintenant toujours fermement avec votre main droite tenant la poignée arrière, votre main gauche placée sur la poignée avant vos pouces et vos doigts passés autour des poignées. Tenez toujours la tronçonneuse des deux mains durant les opérations de coupe à haut régime du moteur.

**⚠ ATTENTION!**

Ne pas viser trop haut ou exécuter une coupe située au-dessus du niveau de votre épaule.

**⚠ ATTENTION!**

Il convient d'être extrêmement prudent lors de l'abattage et de ne jamais utiliser sa tronçonneuse avec le nez du guide-chaîne en l'air ou au-dessus du niveau de son épaule.

**CAPTEUR DE CHAÎNE**

Le capteur de chaîne est situé sur le bloc

moteur tout près au-dessous de la chaîne pour empêcher l'éventualité qu'une chaîne rompue puisse venir frapper l'utilisateur de la tronçonneuse.

**⚠ ATTENTION!**

Ne vous mettez pas debout dans l'alignement de la chaîne lors de la coupe.

**(It) ⚠ ATTENZIONE!**

**PERICOLO DI CONTRACCOLPI (Fig. 2-7)**

Uno dei pericoli maggiori che può capitare quando si lavora con una motosega è la possibilità di contraccolpi. Un contraccolpo può verificarsi quando la punta superiore della barra catena tocca un oggetto, o quando il legno si richiude e stringe la catena della sega nel taglio. Il contatto della punta in alcuni casi può causare una fulminea reazione all'indietro, spingendo la barra catena verso l'alto e all'indietro verso l'operatore. Se la catena della motosega rimane stretta lungo la parte superiore della barra catena, quest'ultima può anche essere spinta rapidamente all'indietro verso l'operatore. Entrambe queste reazioni possono far perdere all'operatore il controllo della motosega, causando gravi lesioni alla persona.

Anche se la motosega è stata costruita secondo criteri di sicurezza, non bisogna fare affidamento esclusivamente su queste caratteristiche di sicurezza. Tenere costantemente presente il punto in cui si trova la punta della lama. I contraccolpi si verificano se si lascia toccare un oggetto nella zona di contraccolpo (1) della lama. Non usare tale area. Il contraccolpo dovuto alla stretta è causato dalla chiusura di un taglio e dalla stretta della parte superiore della barra catena. Esaminare il taglio e accertarsi che esso si apra man mano che si procede.

Mantenere il controllo mentre il motore è in funzione affermando sempre saldamente la motosega con la mano destra sull'impugnatura posteriore, con la mano sinistra sull'impugnatura anteriore e con i pollici e le dita posizionali in modo tale da circondare le impugnature. Tenere sempre la motosega con entrambe le mani durante l'uso e durante il taglio con una velocità del motore elevata.

**⚠ ATTENZIONE!**

Non sporgersi eccessivamente o non eseguire tagli ad un'altezza superiore a quella delle proprie spalle.

**⚠ ATTENZIONE!**

Usare estrema cautela quando si abbattono degli alberi; non usare la motosega con la punta rivolta verso l'alto o ad un'altezza superiore a quella delle proprie spalle.

**BLOCCO CATENA**

Il blocco catena si trova sulla testa del motore appena al di sotto della catena per cercare di ridurre il rischio che una catena guasta possa colpire l'utente della motosega a catena.

**⚠ ATTENZIONE!**

Non stare in piedi allineato alla catena nel corso del taglio

**Ge**  **WARNUNG!**

**RÜCKSCHLAGGEFAHR (Fig. 2-7)**

Eine der größten Gefahren beim Arbeiten mit einer Kettensäge ist ein Zurückschlagen des Gerätes. Rückschlag kann beispielsweise auftreten, wenn man bei laufender Kette mit dem oberen Teil der Schienenspitze versehentlich einen Gegenstand berührt, oder wenn sich beim Durchschneiden eines Stamms der Spalt schließt und die Kette eingeklemmt wird. Ein versehentliches Berühren mit der Spitze kann die Schiene in einer blitzschnellen Bewegung nach oben oder zurück schleudern. Wenn sich die Kette oben festfrißt, wird die Schiene unvermittelt zurückgestoßen. In beiden Fällen besteht die Gefahr, daß die Säge aus der Hand geschleudert wird, was eine schwere Körperverletzung zur Folge haben kann. Obwohl die Säge mit allen technisch möglichen Sicherheitsvorrichtungen ausgestattet ist, bieten diese allein keinen hundertprozentigen Schutz. Man sollte bei der Handhabung der Säge die Schienenspitze daher stets im Auge behalten. Wenn die "Rückschlagzone" (1) der Schiene mit einem anderen Gegenstand in Berührung kommt, führt dies zu einem Rückschlag. Dieser Bereich sollte daher nicht zum Sägen verwendet werden. Rückschlag durch Festfressen tritt auf, wenn sich der gesägte Spalt unvermittelt schließt und die Oberseite der Schiene eingeklemmt wird. Die Einschnittstelle daher stets so wählen, daß sich der Spalt beim Durchsägen öffnet.

Bei laufendem Motor die Säge sicher halten; die rechte Hand am hinteren Griff, die linke Hand am vorderen Griff wobei Daumen und Finger jeweils fest um die Griffe gelegt sind. Die Säge stets mit beiden Händen führen und mit hoher Motordrehzahl sägen.

 **WARNUNG!**

**Nicht mit ausgestreckten Armen oder über Schulterhöhe sägen!**

 **WARNUNG!**

**Beim Fällen von Bäumen besondere Vorsicht walten lassen und die Säge nicht schräg nach oben abgewinkelt oder über Schulterhöhe verwenden.**

**KETTENAUFFANGVORRICHTUNG**

Die Kettenauffangvorrichtung findet sich auf dem Kraftkopf gerade unter der Kette, um die Möglichkeit weiter zu verhindern, dass eine weggebrochene Kette den Verwender der Gliedersäge anschlagen könne.

 **WARNUNG!**

**Stehen Sie beim Schneiden nicht ausgerichtet auf die Kette, sondern etwas**

**Sp**  **ATENCIÓN!**

**PELIGRO DE CONTRAGOLPE (Fig. 2-7)**

Uno de los peligros más severos durante la labor con la sierra de cadena, es la posibilidad del contragolpe. El contragolpe podrá ocurrir cuando la punta superior de la barra de guía haga contacto con un objeto o cuando se cierre el árbol y quede aprisionada la cadena de la sierra durante el corte. En algunos casos, el contacto de la punta puede causar una repentina reacción inversa, sacudiendo la barra de guía hacia atrás contra usted. Al quedar aprisionada la cadena de la sierra en la parte superior de la barra de guía, puede también empujar rápidamente la barra de guía hacia atrás contra usted. Cualquiera de estas reacciones podrán hacer perder el control de la sierra pudiendo causar serias heridas personales.

Aun cuando la sierra haya sido construida con seguridad dentro de las especificaciones de diseño, no deberá confiarse exclusivamente en estas características de seguridad. Sepa en todo momento dónde está la punta de la barra. El contragolpe ocurre cuando usted permita que la zona del contragolpe (1) de la barra haga contacto con un objeto. No deberá usarse esa zona. Debido a que el contragolpe causado por el aprisionamiento se debe al cierre del corte y al atascamiento del lado superior de la barra de guía, deberá estudiarse la posición del corte para que el corte se abra a medida que se vaya cortando.

Deberá mantenerse el control durante la marcha del motor, sujetando firmemente la empuñadura de la manija trasera de la sierra con la mano derecha y la manija frontal con la mano izquierda, rodeando las manijas con los dedos pulgares. Sostener siempre la sierra con ambas manos durante la operación y cortar con el motor bajo el régimen de alta velocidad.

 **ATENCIÓN!**


**No extender excesivamente la mano ni cortar sobre la altura de los hombros.**

 **ATENCIÓN!**

**Prestar especial atención durante la tala y no usar la sierra con la posición de nariz alta o sobre la altura de los hombros.**

**RETÉN DE CADENA**

Se encuentra el retén de cadena sobre el cabezal de fuerza motriz precisamente debajo de la cadena para impedir adicionalmente la eventualidad que una cadena rota pueda golpear al usuario.

 **ATENCIÓN!**

**No se coloque de pie alineado a la sierra al cortar.**

**Sw**  **VARNING!**

**RISK FÖR KAST (Fig. 2-7)**

En av de allvarligaste farorna vid arbete med motorsåg är risken för kast. Kast kan uppstå när svärdets övre topp vidrör något, eller när träet nyper och klämmer fast sågkedjan i spåret. En kontakt med svärdstoppen kan i vissa fall orsaka ett blixtnabbt bakåtkast så att svärdet kastas uppåt och bakåt mot dig. Att klämma sågkedjan längs svärdets topp kan också kasta svärdet bakåt mot dig. Var och en av dessa situationer kan göra att du tappar kontrollen över motorsågen, något som kan leda till allvarliga personskador.

Även om din motorsåg har säkerhet inbyggd i utförandet, skall du inte lita blint på dessa säkerhetsegenskaper. Håll alltid reda på var du har svärdets topp. Kast uppstår om du låter svärdets kastzon (1) röra vid något. Använd inte denna del. Bakslag på grund av nypning orsakas av att ett sågspår stängs och nyper fast svärdets övre sida. Kontrollera sågspåret och förvissa dig om att det öppnas när du sågar igenom.

Behåll kontrollen när motorn går, genom att alltid hålla sågen i ett fast grepp med din högra hand på det bakre handtaget, din vänstra hand på det främre handtaget och dina tummar och fingrar runt handtaget. Håll alltid sågen med båda händerna under användning och säga med höga motorvarv.

 **VARNING!**

**Såga inte om du måste tänja dig och såga inte över skulderhöjd.**

 **VARNING!**

**Var extra försiktig vid fällning av träd, och använd inte sågen med svärdets topp eller över skulderhöjd.**

**KEDJEFÅNGARE**

Motorsågen är försedd med en kedjefångare för att ytterligare förhindra att en trasig kedja träffar användaren. Kedjefångaren sitter på motorkroppen strax under kedjan.

 **VARNING!**

**Stå inte i linje med kedjan vid sågning.**



**(En) BASIC TECHNIQUES FOR MAKING FELLING, LIMBING AND BUCKING CUTS**

The intention of the following information is to provide you with the general introduction to wood cutting techniques.

**⚠ WARNING!**

This information does not cover all specific situations, which may depend on differences in terrain, vegetation, kind of wood, form and size of trees, etc. Consult your servicing dealer, forestry agent or local forestry schools for advice on specific woodcutting problems in your area.

This will make your work more efficient and safer.

**⚠ WARNING!**

Avoid cutting in adverse weather conditions, such as dense fog, heavy rain, bitter cold, high winds, etc.

Adverse weather is often tiring to work in and creates potentially dangerous conditions such as slippery ground. High winds may force the tree to fall in an unexpected direction causing property damage or personal injury.

**⚠ CAUTION!**

Never use a chainsaw to pry or for any purpose for which it is not intended.

**⚠ WARNING!**

Avoid stumbling on obstacles such as stumps, roots, rocks, branches and fallen trees. Watch out for holes and ditches. Be extremely cautious when working on slopes or uneven ground. Shut off the saw when moving from one work place to another. Always cut at wide open throttle. A slow moving chain can easily catch and force the saw to jerk.

You should ask for help if you get into a cutting situation that seems difficult to you.

**(Fr) TECHNIQUES DE BASE POUR L'ABATTAGE, L'EBRANCHEMENT ET LE TRONÇONNAGE**

Le but visé par les informations suivantes est de fournir à l'utilisateur une introduction de caractère général aux techniques d'abattage des arbres.

**⚠ ATTENTION !**

Les informations données ci-dessous ne couvrant pas toutes les situations spécifiques qui dépendent des conditions de relief, de végétation ; du type de bois ; de la forme et de la taille des arbres, etc... Veuillez consulter votre agent agréé l'agent assurant l'entretien de votre machine, les agents forestiers ou les écoles forestières locales pour obtenir des conseils sur les problèmes spécifiques d'abattage pouvant exister dans votre région. Ceci permettra de rendre votre travail plus efficace et plus sûr.

**⚠ ATTENTION !**

Évitez d'utiliser votre tronçonneuse lors de mauvaises conditions météorologiques, par exemple dans un brouillard épais, par forte pluie, par vent violent, etc.... Ces mauvaises conditions météorologiques rendent le travail beaucoup plus fatiguant et créent des situations potentiellement dangereuses comme un sol glissant par exemple. Par ailleurs un vent violent risque de forcer l'arbre à s'abattre dans une direction imprévue pouvant entraîner des dégâts matériels ou des blessures corporelles.

**⚠ IMPORTANT !**

Ne jamais utiliser votre tronçonneuse comme levier ou pied de biche, ou pour tout autre emploi pour lequel elle n'a pas été conçue.

**⚠ ATTENTION !**

Évitez de trébucher sur des obstacles tels que des souches d'arbre, des racines, des rochers, des branches ou des arbres abattus. Faites également attention aux trous dans le sol ou les fossés. Soyez extrêmement prudent lorsque vous travaillez sur des terrains en pente ou qui ne sont pas nivelés. Arrêtez le moteur de la tronçonneuse lorsque vous vous déplacez d'un site de travail vers un autre. Effectuez toujours la coupe en appuyant à fond sur la commande d'accélérateur. Une chaîne tournant à vitesse réduite peut facilement se bloquer et provoquer des secousses au niveau de la tronçonneuse. Nous vous recommandons de demander de l'aide ou des conseils lorsque vous trouvez dans des conditions de coupe qui vous semblent très difficiles.

**(It) TECNICHE DI BASE PER L'ESECUZIONE DI TAGLI PER L'ABBATTIMENTO DI ALBERI, LA RIMOZIONE DEI RAMI E IL TAGLIO DI TRONCHI**

Le seguenti informazioni intendono fornire un'introduzione di carattere generale alle tecniche di taglio del legno.

**⚠ ATTENZIONE!**

Queste informazioni non coprono tutte le situazioni specifiche, che possono dipendere dalle differenze di terreno, vegetazione, tipo di legno, forma e dimensioni degli alberi, ecc. Rivolgersi al proprio rivenditore, alla guardia forestale o a scuole forestali locali per consigli su problemi specifici di taglio del legno nella propria zona. Questo renderà il lavoro più efficiente e più sicuro.

**⚠ ATTENZIONE!**

Evitare di eseguire operazioni di taglio in condizioni di tempo sfavorevoli, come in caso di nebbia fitta, pioggia violenta, freddo intenso, forte vento, ecc. Un tempo avverso richiede una maggiore fatica e crea condizioni potenzialmente pericolose come terreno sdruciolevole.

Un forte vento può far cadere l'albero in una direzione imprevista causando danni alla proprietà o lesioni alle persone.

**⚠ IMPOTANTE!**

Non usare mai una motosega per fare leva o per scopi diversi da quelli cui è destinata.

**⚠ ATTENZIONE!**

Evitare di inciampare su ostacoli come ceppi d'albero, radici, pietre, rami e alberi caduti. Fare attenzione a buche e fossi. Fare molta attenzione quando si lavora su pendii o su un terreno irregolare. Spegnerla la motosega quando ci si sposta da un posto ad un altro.

Tagliare sempre con la farfalla completamente aperta. Una catena che si muove lentamente può facilmente impigliarsi e causare il sobbalzo della sega. Chiedere aiuto se ci si viene a trovare in una situazione di taglio da cui sembra difficile districarsi.

**Ge** GRUNDLAGEN ZUM FÄLLEN, ENTÄSTEN UND TRENNEN/ ABLÄNGEN

Die folgenden Informationen sind als allgemeine Einführung für den praktischen Einsatz einer Kettensäge gedacht.

**! WARNUNG!**

Die Beschreibungen decken nicht alle Situationen ab, da die Einsatzbedingungen je nach geographischer Beschaffenheit, Vegetation, Forstbestand sowie Form und Größe der Bäume anders sind. Informationen über spezifische Probleme am Einsatzort bitte beim Fachhändler, Forstamt oder der örtlichen Forstakademie einholen. Die Beschreibungen auf den folgenden Seiten sollen zu einem effizienteren und sichereren Einsatz des Gerätes beitragen.

**! WARNUNG!**

Nicht unter ungünstigen Wetterverhältnissen arbeiten, z. B. in dichtem Nebel, starkem Regen, bitterer Kälte oder starkem Wind u. dgl. Schlechte Witterung führt nicht nur zu schneller Ermüdung, sondern birgt auch andere Gefahrenquellen in sich, z. B. einen schlüpfrigen Untergrund. Beim Fällen eines Baumes in starkem Wind kann dieser unerwartet in eine andere Richtung fallen und schwere Sach- sowie Personenschäden verursachen.

**! ACHTUNG!**

Kettensägen niemals als Hebel verwenden!

**! WARNUNG!**

Bei der Arbeit den Boden im Auge behalten, um nicht über Baumstümpfe, Wurzeln, Gesteinsbrocken, Äste und gefällte Bäume zu fallen. Auch auf Löcher und Gräben im Boden achten.

An Hängen und auf unebenem Boden besondere Vorsicht walten lassen. Beim Wechseln des Arbeitsplatzes den Motor vorsichtshalber abstellen.

Zum Sägen den Motor stets ganz hochdrehen lassen. Wenn die Kette zu langsam läuft, kann sie sich verfangen und die Säge aus der Hand reißen.

In bedenklichen Situationen sicherheitshalber eine weitere Person um Hilfe bitten.

**Sp** TÉCNICAS B SICAS PARA LA TALA, PODA Y TROCEO

El propósito de la siguiente información es dar las explicaciones generales sobre las técnicas del corte de la madera.

**! ATENCIÓN!**

Esta información no cubre todas las situaciones específicas que puedan depender de las diferencias del terreno, vegetación, clase de madera, forma y tamaño de los árboles, etc. Se ruega consultar al agente de servicios, agente de forestación o escuelas de forestación local para obtener las recomendaciones sobre los problemas específicos del corte de madera dentro de su zona.

Esto permitirá que el trabajo sea más eficiente y seguro.

**! ATENCIÓN!**

Deberá evitarse el corte bajo condiciones adversas del tiempo, como la niebla densa, lluvia torrencial, frío intenso o vientos fuertes, etc. Las condiciones adversas del tiempo suelen ser cansadores para el trabajo y crear condiciones potencialmente peligrosas como el suelo resbaloso. Los vientos fuertes pueden forzar la caída del árbol a una dirección imprevista, causando daños en las propiedades o lesiones personales.

**! IMPORTANTE!**

Jamás deberá usarse la sierra de cadena como palanca o para cualquier propósito que no haya sido previsto.

**! ATENCIÓN!**

Evitar cualquier tropiezo con obstáculos como troncos, raíces, rocas, ramas y árboles talados. Observar las cavidades y zanjas. Prestar extrema precaución cuando se trabaje en pendientes o suelo desnivelado. Detener la sierra cuando se desplace de un lugar de trabajo a otro. Cortar siempre con el regulador del acelerador abierto. El movimiento lento de la cadena puede ser fácilmente atrapado y producir tirones.

Deberá solicitar la ayuda en el caso de tropezar con una situación de corte que parezca difícil para usted.

**Sw** GRUNDLÄGGANDE TEKNIK VID FÄLLNING OCH KVISTNING AV TRÄD

Syftet med följande information är att ge dig en allmän beskrivning av motorsågsteknik.

**! VARNING!**

Denna information omfattar inte alla tänkbara situationer, som kan variera i enlighet med skillnader i terräng, vegetation, typ av trä, form och storlek för träd, etc. Kontakta din servicemekaniker, skogvaktare eller skogsvårds-styrelse för upplysningar om speciella trädfällningsproblem i ditt område. Ditt arbete blir då effektivare och säkrare.

**! VARNING!**

Undvik att fälla träd vid dålig väderlek, tex. vid tät dimma, störtregn, kraftig kyla, stark blåst, etc. Dåligt väder är ofta tröttande och något som kan skapa potentiellt farliga arbetsförhållanden som t.ex. halt underlag. Kraftig blåst kan tvinga trädet att falla åt ett oväntat håll, så att saker eller personer skadas.

**! VIKTIGT!**

Använd aldrig en motorsåg för att bända med eller i något annat syfte, för vilket sågen inte är ämnad.

**! VARNING!**

Undvik att snubbla på tex. trädbitar, rötter, stenar, grenar och fällda träd. Se upp för hål och diken. Var ytterligt försiktig vid arbete i sluttningar eller på ojämn mark. Stäng av sågen när du går från en arbetsplats till en annan. Såga alltid med helt gaspådrag. En kedja som går sakta kan lätt nypa fast och tvinga sågen till ett kast. Be om hjälp om du hamnar i en sågningssituation som verkar att vara besvärlig för dig.

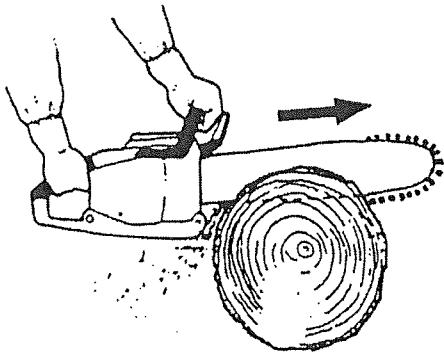


Fig.2-7B

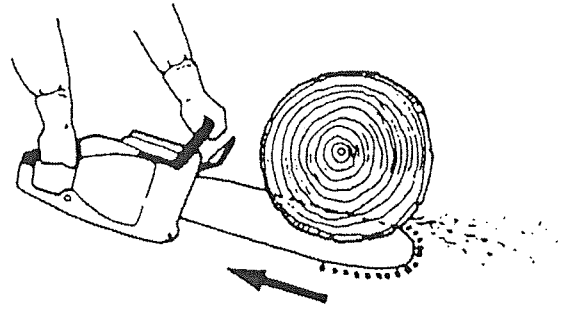


Fig.2-7C

**(En) ⚠ WARNING!**

Never use the saw with only one hand. You cannot control the saw properly and you may lose control and injure yourself severely.

Keep the saw body close to your body to improve control and reduce strain.

When cutting with the bottom part of the chain the reactive force will pull the saw away from you towards the wood you are cutting.

The saw will control the feeding speed and sawdust will be directed towards you. (Fig. 2-7B)

When cutting with the upper part of the chain the reactive force will push the saw towards you and away from the wood you are cutting, (Fig. 2-7C)

**⚠ WARNING!**

There is a risk of kickback if the saw is pushed far enough so that you begin to cut with the nose of the bar.

The safest cutting method is to cut with the bottom part of the chain. Sawing with the upper part makes it much more difficult to control the saw and increases the risk of kickback.

**⚠ WARNING!**

Always keep the spiked bumper face to a tree, because the chain may suddenly be drawn into a tree.

**(Fr) ⚠ ATTENTION!**

Ne jamais utiliser votre tronçonneuse d'une seule main. Vous ne pourriez contrôler votre machine efficacement et vous risqueriez d'en perdre complètement le contrôle et de vous blesser grièvement.

Garder la tronçonneuse près du corps afin d'améliorer le contrôle de la machine et de réduire vos efforts.

Lorsque vous effectuez une coupe avec la partie inférieure du guide-chaîne, la force de réaction éloignera la machine de vous en direction de la pièce de bois que vous êtes en train de couper. La tronçonneuse contrôlera la vitesse d'alimentation et la sciure sera projetée vers vous (Fig. 2-7B).

Lorsque vous effectuez la coupe avec la partie supérieure du guide-chaîne, la force de réaction poussera la machine vers vous et l'éloignera de la pièce de bois que vous êtes en train de couper (Fig. 2-7C).

**⚠ ATTENTION !**

Il existe un risque de rebond si la tronçonneuse est tellement repoussée vers l'avant que vous commencez à couper avec le nez du guide-chaîne.

La méthode de coupe la plus sûre est de couper avec la partie inférieure du guide-chaîne. Effectuer une coupe avec la partie supérieure du guide-chaîne rend beaucoup plus difficile le contrôle de la tronçonneuse et augmente les risques de rebond.

**⚠ ATTENTION!**

Toujours maintenir la griffe d'abattage à la surface de l'arbre, parce que la chaîne peut être entraînée soudainement vers l'intérieur de l'arbre.

**(It) ⚠ ATTENZIONE!**

Non usare mai la motosega con una sola mano. Non è possibile avere un adeguato controllo della motosega e si potrebbe perdere il controllo ferendosi gravemente. Tenere il corpo della motosega vicino al proprio corpo per migliorare il controllo e ridurre la tensione.

Quando si taglia con la parte inferiore della catena, la forza reattiva allontanerà la motosega dall'operatore dirigendola verso il legno che si sta tagliando.

La motosega controllerà la velocità di alimentazione e la segatura sarà gettata verso l'operatore. (Fig. 2-7B)

Quando si taglia con la parte superiore della catena, la forza reattiva spingerà la motosega verso l'operatore allontanandola dal legno che si sta tagliando, (Fig. 2-7C)

**⚠ ATTENZIONE!**

C'è il rischio di contraccolpi se la motosega viene spinta lontano abbastanza da poter iniziare a tagliare con la punta della lama.

Il metodo di taglio più sicuro è tagliare con la parte inferiore della catena. L'operazione di taglio con la parte superiore rende più difficile il controllo della motosega e aumenta il rischio di contraccolpi.

**⚠ ATTENZIONE!**

Mantenere sempre il rampone rivolto verso l'albero, poiché la catena potrebbe improvvisamente essere trascinata all'interno dell'albero.

**Ge** ⚠ **WARNUNG!**

Die Säge niemals mit einer Hand führen, da dies keinen sicheren Halt gewährleistet! Eine außer Kontrolle geratene Kettensäge kann schwere Verletzungen verursachen. Das Gehäuse der Säge so dicht wie möglich am Körper halten. Dies gewährleistet einen festeren Stand und ermüdungsfreieres Arbeiten.

Beim Sägen mit der Schienenunterkante wird die Säge durch die Kettenbewegung nach vorne in Richtung des Stamms gezogen.

Die Säge regelt die Laufgeschwindigkeit der Kette automatisch, und Sägemehl tritt auf der Bedienerseite unterhalb der Säge aus. (Fig. 2-7B)

Beim Sägen mit der Schienenoberkante wird die Säge nach hinten gedrückt, d. h. weg vom zu schneidenden Material. (Fig. 2-7C)

**⚠ WARNUNG!**

Wenn die Säge bis zur Schienenspitze aus dem Stamm gedrückt wird, besteht Rückschlaggefahr!

Sägen mit der Schienenunterkante ist das sicherere Verfahren. Wenn mit der Oberkante gesägt wird, ist ein sicheres Halten der Säge schwieriger, und es besteht die Gefahr, daß das Gerät zurückschlägt.

**⚠ WARNUNG!**

Die Anschlagsspitzen stets gegen den Baum gedrückt halten, da die Säge möglicherweise plötzlich in den Baum hineingezogen werden kann.

**Sp** ⚠ **ATENCIÓN!**

Jamás deberá usarse la sierra con una mano solamente, ya que será difícil controlar correctamente la sierra al perder el control y sufrir heridas serias.

Mantener el cuerpo de la sierra cerca de su cuerpo para mejorar el control y reducir el esfuerzo.

Cuando se corte con la parte inferior de la cadena, la fuerza reactiva tratará de arrastrar la sierra fuera de sus manos en dirección de la madera que esté cortando. La sierra controlará la velocidad de avance y el aserrín será lanzado hacia usted. (Fig. 2-7B)

Cuando se corte con la parte superior de la cadena, la fuerza reactiva empujará la sierra hacia usted tratando de alejarse de la madera que esté cortando. (Fig. 2-7C)

**⚠ ATENCIÓN!**

Existe el riesgo del contragolpe cuando la sierra es empujada lo suficientemente lejos, iniciándose el corte con la nariz de la barra. El método de corte más seguro es cortar con la parte inferior de la sierra. El corte con la parte superior ofrece mayores dificultades para controlar la sierra e incrementa el riesgo del contragolpe.

**⚠ ATENCIÓN!**

Mantener siempre apoyado el apoyo dentado contra el árbol, porque la sierra puede ser arrastrada bruscamente hacia el árbol.

**Sw** ⚠ **WARNING!**

Använd aldrig sågen med endast en hand. Du kan inte kontrollera sågen på rätt sätt och du kan tappa kontrollen över sågen och skada dig själv.

Håll motorsågens kropp nära din egen kropp för att förbättra kontrollen och minska ansträngningen

När du sågar med kedjans undre del, kommer dragkraften att dra sågen bort från dig mot det träd du sågar. Sågspåren riktas åt ditt håll. (Fig. 2-7B)

När du sågar med kedjans övre del, kommer dragkraften att trycka sågen mot dig och bort från det träd du sågar i. (Fig. 2-7C)

**⚠ WARNING!**

Det finns risk för kast om sågen används med svärdets topp. Det säkraste sättet att såga är att använda kedjans undre del. Om du sågar med kedjans övre del är det mycket svårare att kontrollera sågen och risken för kast ökar också.

**⚠ WARNING!**

Håll alltid barkstödet vänt mot trädet, eftersom kedjan plötsligt kan dras in i trädet.

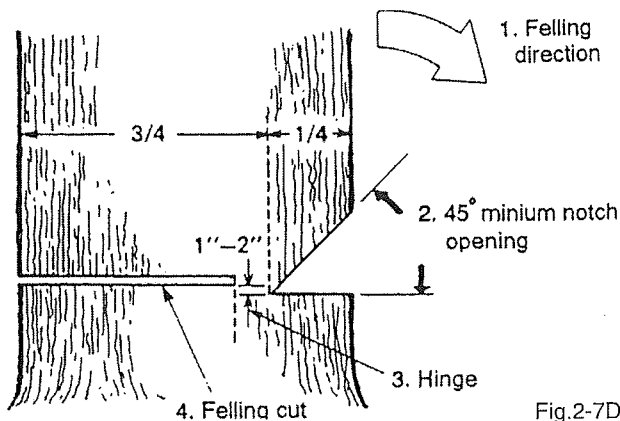


Fig.2-7D

**(En) FELLING**

Felling is more than cutting down a tree. You must also bring it down as near to an intended place as possible without damaging the tree or anything else.

Before felling a tree, carefully consider all conditions which may effect the intended direction, such as:

Angle of the tree. Shape of the crown. Snow load on the crown. Wind conditions. Obstacles within tree range (e.g., other trees, power lines, roads, buildings, etc.).

**⚠ WARNING!**

Always observe the general conditions of the tree. Look for decay and rot in the trunk which will make it more likely to snap and start to fall before you expect it.

Look for dry branches, which may break and hit you when you are working.

Always keep animals and people at least twice the tree length away while felling.

Clear away shrubs and branches from around the tree.

Prepare a path of retreat away from the felling direction.

**BASIC RULES FOR FELLING TREES**

Normally the felling consists of two main cutting operations, notching and making the felling cut.

Start making the upper notch cut on the side of the tree facing the felling direction. Look through the kerf as you saw the lower cut so you do not saw too deep into the trunk.

The notch should be deep enough to create a hinge of sufficient width and strength. The notch opening should be wide enough to direct the fall of the tree as long as possible. Saw the felling cut from the other side of the tree between one and two inches (3-5 cm) above the edge of the notch. (Fig. 2-7D)

**(Fr) ABATTAGE**

Abattre un arbre est plus complexe que de simplement le couper. Vous devez aussi veiller à ce que l'arbre tombe le plus près possible de l'endroit souhaité sans que l'arbre ou les éléments environnants soient endommagés.

Avant d'effectuer l'abattage d'un arbre, prenez en considération, soigneusement, toutes les conditions qui risquent de modifier la direction dans laquelle l'arbre s'abattra telles que l'angle de l'arbre, la forme de son faite, le volume de neige au sommet de l'arbre, la force et la direction du vent, les obstacles se trouvant dans le périmètre de chute de l'arbre (par exemple : d'autres arbres, des lignes électriques ou téléphoniques, des routes, des constructions, etc ...).

**⚠ ATTENTION !**

Veillez à toujours examiner en détail l'état de l'arbre. En particulier s'il n'y a pas de traces de pourrissement à l'intérieur du tronc, ce qui risquerait d'entraîner une chute beaucoup plus rapide de l'arbre que prévue. Vérifiez également s'il y a des branches mortes qui risquent de se détacher et de vous blesser pendant que vous travaillez.

Maintenir dans tous les cas les animaux et les personnes à une distance minimale égale à deux fois la hauteur de l'arbre que vous désirez abattre.

Nettoyer les environs de l'arbre et éliminer les arbustes et les branches qui se trouvent autour de l'arbre.

Préparez une voie de retraite qui doit se trouver éloignée de la direction dans laquelle s'abattra l'arbre.

**REGLES FONDAMENTALES CONCERNANT L'ABATTAGE DES ARBRES**

L'abattage d'un arbre consiste en la réunion de deux opérations de coupe successives l'entaille et la coupe d'abattage.

Commencez par réaliser la coupe supérieure de l'entaille du côté de l'arbre situé dans la direction de chute choisie. Observez l'intérieur de l'entaille pendant que vous réalisez sa coupe inférieure avec la tronçonneuse afin de ne pas scier trop profondément dans le tronc. L'entaille doit être assez profonde pour créer une charnière d'une largeur et d'une résistance suffisantes. L'ouverture de l'entaille doit avoir une largeur suffisante pour orienter la chute de l'arbre aussi précisément que possible. Effectuer ensuite la coupe d'abattage de l'autre côté de l'arbre à une hauteur comprise entre 3 et 5 cm au dessus du bord inférieur de l'entaille (Fig. 2-7D).

- (1) Direction de la chute de l'arbre
- (2) Ouverture minimale de l'entaille : 45°
- (3) Charnière
- (4) Coupe d'abattage

**(It) ABBATTIMENTO DI ALBERI**

L'abbattimento é qualcosa di più del semplice taglio di un albero. É anche necessario farlo cadere il più vicino possibile al luogo stabilito senza danneggiare l'albero o altre cose.

Prima di abbattere un albero, prendere in considerazione attentamente tutte le condizioni che possono influenzare negativamente la direzione in cui si desidera far cadere l'albero, come ad esempio: l'angolo dell'albero, la forma della cima, il carico di neve sulla cima, le condizioni del vento, ostacoli entro il raggio dell'albero (ad esempio altri alberi, fili dell'elettricità, strade, edifici, etc.).

**⚠ ATTENZIONE!**

Osservare sempre le condizioni generali dell'albero. Controllare che non vi siano punti deteriorati o marci nel fusto perché essi aumentano le possibilità che l'albero si spezzi e inizi a cadere prima del previsto. Controllare che non vi siano rami secchi, che potrebbero spezzarsi e colpire l'operatore durante il lavoro. Tenere sempre animali e persone ad una distanza pari ad almeno il doppio della lunghezza dell'albero durante l'abbattimento. Eliminare arbusti e rami intorno all'albero. Predisporre un percorso per la fuga lontano dalla direzione di abbattimento.

**REGOLE FONDAMENTALI PER L'ABBATTIMENTO DI ALBERI**

Normalmente l'abbattimento é costituito da due operazioni di taglio principali: l'esecuzione della tacca e l'esecuzione del taglio di abbattimento.

Iniziare a fare il taglio superiore della tacca sul lato dell'albero che é rivolto nella direzione di abbattimento. Guardare attraverso l'intaccatura mentre si pratica il taglio inferiore in modo da non segare il tronco troppo in profondità.

La tacca deve essere profonda abbastanza da creare un cardine di larghezza e forza sufficiente. L'apertura della tacca deve essere ampia abbastanza da guidare la caduta dell'albero il più a lungo possibile.

Praticare il taglio di abbattimento sull'altro lato dell'albero a 3-5 cm al di sopra del bordo della tacca. (Fig. 2-7D)

- (1) Direzione di abbattimento
- (2) Apertura della tacca minima di 45°
- (3) Cardine
- (4) Taglio di abbattimento

## Ge FÄLLEN

Fällen eines Baumes erfordert Übung und ein gutes Einschätzungsvermögen. Der Baum muß dabei in einen vorbestimmten Bereich (Fällrichtung) fallen und darf umstehende Bäume u. dgl. dabei nicht beschädigen.  
Vor dem Fällen eines Baumes alle Faktoren prüfen, die die Fällrichtung beeinflussen, z. B.: Standwinkel des Baums. Gestalt der Krone. Schnee auf der Krone. Windrichtung und -stärke. Gegenstände innerhalb der Reichweite des Baums (andere Bäume, Leitungen, Straßen, Gebäude usw.).

### ⚠️ WARNUNG!

Stets den allgemeinen Zustand des Baums überprüfen. Den Stamm auf Faul- und Schwachstellen untersuchen, die ein frühzeitiges Brechen und Fallen des Baums verursachen können.  
Auch auf abgestorbene Äste achten, die beim Fällen abbrechen und Verletzungen verursachen können. Beim Fällen darauf achten, daß sich Tiere und andere Personen in einer Entfernung befinden, die mindestens das Zweifache der Baumlänge beträgt.  
Gestrüpp und Äste in der näheren Umgebung des Baums entfernen.  
Einen "Rückzugsweg" entgegen der Fällrichtung vorbereiten.

## GRUNDREGELN ZUM FÄLLEN EINES BAUMES

Bäume werden gewöhnlich in zwei Arbeitsgängen gefällt:  
Ausschneiden der Fallkerbe und der abschließende Fällschnitt. Zunächst wird an der Fällrichtungsseite des Stamms der obere (schräge) Kerbschnitt gemacht. Beim darauffolgenden Ausschneiden der Kerbe muß darauf geachtet werden, daß der zweite Einschnitt nicht zu tief in den Stamm gesägt wird.  
Die Fallkerbe muß so ausgeschnitten werden, daß beim abschließenden Fällschnitt ein ausreichend breites und starkes Scharnier stehen bleibt. Der Winkel sollte so breit sein, daß der Stamm beim Fall ausreichend lange in Fällrichtung gehalten wird. Der Fällschnitt wird danach auf der anderen Seite 3 bis 5 cm oberhalb des unteren Kerbschnitts in den Stamm gesägt. (Fig. 2-7D)  
(1) Fällrichtung  
(2) Kerbwinkel (mind. 45°)  
(3) Scharnier  
(4) Fällschnitt

## Sp TALA

La tala es más que el simple corte de un árbol. Deberá tumbarse hacia la dirección más próxima a la deseada sin dañar el árbol o cualquier otra cosa.  
Antes de la tala del árbol, deberán considerarse todas las condiciones que puedan desviar la dirección deseada como la inclinación del árbol, forma de la copa, peso de la nieve de la copa, condiciones del viento, obstáculos dentro del alcance del árbol (por ejemplo, otros árboles, líneas de transmisión, caminos, edificios, etc.).

### ⚠️ ADVERTENCIA!

Observar siempre las condiciones generales del árbol. Observar las partes descompuestas y podridas del tronco que pudieran quebrarse, iniciando la caída antes de lo previsto. Mirar las ramas secas que puedan romperse y causar golpes durante el trabajo.  
Durante la tala deberán mantenerse siempre los animales y las personas a una distancia de por lo menos el doble de la longitud del árbol.  
Despejar los arbustos y ramas de los alrededores del árbol.  
Preparar el paso para refugiarse de la dirección de tala.

## REGLA B SICA PARA LA TALA DE ARBOLES

Normalmente, la tala consiste de dos principales operaciones de corte que es la entalladura y el corte de tala.  
Se iniciará con el corte de la entalladura sobre el lado del árbol que esté en la dirección de tala. Observar a través del corte al efectuar el corte inferior, de manera que no sea excesivamente profundo en el tronco.  
La entalladura deberá ser lo suficientemente profunda para crear una articulación de suficiente ancho y resistencia. La abertura de la entalladura deberá ser lo suficientemente ancha para orientar lo máximo posible la caída del árbol.  
Realizar el corte de tala desde el otro lado del árbol entre 3 ~ 5 cm (1" ~ 2") sobre el borde de la entalladura. (Fig. 2-7D)  
(1) Dirección de tala  
(2) Abertura mínima de la entalladura 45°  
(3) Articulación  
(4) Corte de tala

## Sw FÄLLNING AV TRÄD

Att fälla ett träd är mer än att bara såga ned det. Du måste fälla det så nära den utvalda platsen som möjligt, utan att vare sig skada trädet eller någonting annat. Innan du börjar fälla ett träd, skall du noggrant överväga alla de förhållanden som kan påverka fällningsriktningen tex, Trädets vinkel, Trädtoppens form, Snöomängd på trädet, Vindförhållanden. Föremål inom trädets omfång (t.ex. andra träd, elledningar, vägar, byggnader, etc.).

### ⚠️ VARNING!

Kontrollera alltid trädets allmänna kondition. Sök efter murkna delar och röta i stammen, vilket gör det möjligt att stammen bryts av och faller innan du väntar dig det. Sök också efter torra grenar som kan brytas av och träffa dig under arbetet.  
Ha alltid djur och människor på avstånd, åtminstone på trädets dubbla längd medan du faller det.  
Rensa bort buskar och grenar runt trädet.  
Planera en säker reträttväg bort från fällningsriktningen.

## GRUNDREGLER FÖR FÄLLNING AV TRÄD

Normalt består fällningen av två huvudsakliga arbetsmoment - att göra ett fällhugg (riktning) och att göra ett fällskär (kapning)  
Börja med att göra fällhugget på den sida av trädet som ligger i fällningsriktningen. Fällhugget skall ha ett djup på 1/5-1/3 av stamdiametern. Fällhuggets andra skär lägges 45° mot det första så att en kil sågas ur. Fällskäret lägges från trädets motsatta sida och något högre än fällhuggets botten. Fällskäret får ej sågas helt igenom mot fällhugget utan en brytmån (gångjärn) på 1/10 av stamdiametern sparas. Trädet tippas sedan omkull. (Fig. 2-7D).  
(1) Fällningsriktning  
(2) Fällhuggets öppning minst 45 grader  
(3) Brytmån  
(4) Fällskär.

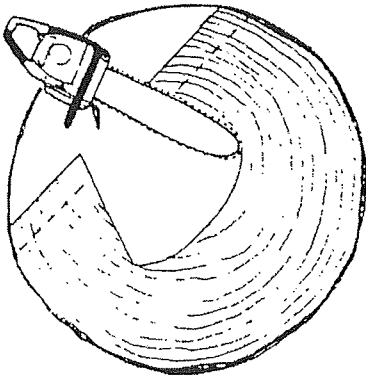


Fig.2-7E

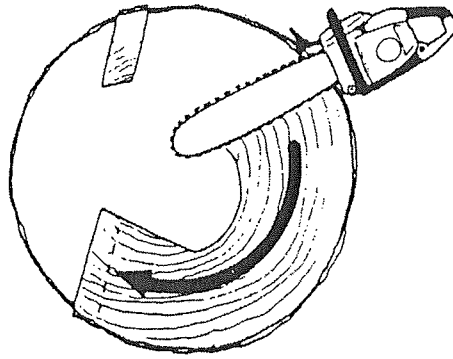


Fig.2-7F

**(En)** Never saw completely through the trunk. Always leave a hinge.

The hinge guides the tree. If the trunk is completely cut through, you lose control over the felling direction.

Insert a wedge or a felling lever in the cut well before the tree becomes unstable and starts to move. This will prevent the guide bar from binding in the felling cut if you have misjudged the falling direction. Make sure no people have come into the range of the falling tree before you push it over.

**FELLING CUT, TRUNK DIAMETER MORE THAN TWICE GUIDE BAR LENGTH**

Cut a large, wide notch. Then cut a recess into the center of the notch. Always leave a hinge on both sides of the center cut. (Fig. 2-7E)

Complete the felling cut by sawing around the trunk as in the Fig. 2-7F.

**⚠ WARNING!**

These methods are extremely dangerous because they involve the use of the nose of guide bar and can result in kickback. Only properly trained professionals should attempt these techniques.

**(Fr)** Ne jamais scier complètement le tronc, laissez toujours une charnière suffisante.

La charnière guide l'arbre durant sa chute. Si l'arbre est scié complètement vous perdez le contrôle de la direction de sa chute.

Insérez un coin ou un levier de coupe dans la fente d'abattage bien avant que l'arbre ne devienne instable et commence à se déplacer. Ceci permettra d'éviter que le guide-chaîne ne reste coincé dans la coupe d'abattage si vous vous êtes trompé en ce qui concerne la direction de chute de l'arbre. S'assurer que personne ne s'est approché du périmètre de chute de l'arbre avant de pousser plus avant.

**COUPE D'ABATTAGE, DIAMETRE DU TRONC SUPERIEUR A DEUX FOIS LA LONGUEUR DU GUIDE-CHAINE (Coupe en mortaise)**

Taillez une entaille large et profonde, puis taillez un renforcement au centre de l'entaille. Laissez toujours un emplacement pour la charnière des deux côtés de la coupe centrale (Fig. 2-7E).

Achevez ensuite la coupe d'abattage en sciant autour du tronc comme indiqué sur la Fig. 2-7F.

**⚠ ATTENTION !**

Cette méthode et celles semblables sont extrêmement dangereuses puisqu'elles utilisent le nez du guide-chaîne ce qui peut provoquer des rebonds. Seuls des professionnels formés correctement à ces méthodes peuvent les pratiquer.

**(It)** Non segare mai completamente il fusto. Lasciare sempre un cardine.

Il cardine guida l'albero. Se il fusto viene tagliato completamente, si perde il controllo sulla direzione di abbattimento.

Inserire un cuneo o una leva per l'abbattimento nel taglio molto prima che l'albero diventi instabile e inizi a muoversi. Questo eviterà alla barra catena di restare bloccata nel taglio di abbattimento nel caso in cui l'operatore dovesse aver sbagliato a valutare la direzione della caduta. Accertarsi che nessuna persona si trovi nel raggio dell'albero che sta per cadere prima di spingere l'albero per farlo cadere.

**TAGLIO DI ABBATTIMENTO, DIAMETRO DEL FUSTO PIÙ DEL DOPPIO DELLA LUNGHEZZA DELLA LAMA GUIDA**

Fare una tacca grande e ampia. Quindi ritagliare una cavità al centro della tacca. Lasciare sempre un cardine su entrambi i lati del taglio centrale. (Fig. 2-7E)

Completare il taglio di abbattimento segando intorno al fusto come mostrato nella Figura 2-7F.

**⚠ ATTENZIONE!**

Questi metodi sono estremamente pericolosi perché essi comportano l'uso della punta della barra catena e possono causare contraccolpi. Queste tecniche devono essere usate soltanto da professionisti appropriatamente addestrati.

**Ge** Den Stamm des zu fällenden Baumes niemals ganz durchsägen. Stets ein ausreichend starkes Scharnier stehen lassen.  
Das Scharnier führt den fallenden Baum. Wenn der Stamm durchgesägt wird, fällt der Baum unter Umständen in eine andere Richtung.  
Beim Fällschnitt einen Keil oder ein Fällisen in den Einschnitt treiben, bevor der Baum an Standfestigkeit verliert. Der Keil verhütet, daß die Schiene im Einschnitt eingeklemmt wird, wenn der Baum nicht in die vorgesehene Richtung fällt. Vor dem endgültigen Kippen und Fällen des Baumes noch einmal sichergehen, daß sich keine Personen im Fällbereich befinden.

**FÄLLSCHNITT BEI EINEM STAMM, DESSEN DURCHMESSER MEHR ALS DAS ZWEIFACHE DER SCHIENENLÄNGE BETRÄGT**  
Zunächst eine große Fallkerbe mit breitem Winkel ausschneiden.  
Danach in der Mitte der Kerbe waagrecht in den Stamm sägen.  
Dabei links und rechts ein ausreichend starkes Scharnier stehen lassen. (Fig. 2-7E)

Danach den Fällschnitt wie in der Zeichnung um den Stamm herum vornehmen. (Fig. 2-7F)

**! WARNING!**  
Dieses Verfahren ist extrem gefährlich, da es den Einsatz der Schienenspitze erfordert und Rückschläge nicht ausgeschlossen sind. Das Fällen von Bäumen sollte grundsätzlich von entsprechend geschulten Fachkräften ausgeführt werden.

**Sp** Jamás deberá cortarse completamente a través del tronco. Deberá dejarse siempre la porción de la articulación.  
La articulación orienta la caída del árbol. Al cortarse totalmente el tronco, se pierde el control de la orientación de la caída.  
Insertar una cuña o palanca en el corte antes que el árbol se torne inestable y comience a moverse. De esta manera, se evitará que la barra de guía quede aprisionada en el corte cuando se haya equivocado la dirección de tala. Asegurar que nadie permanezca dentro del alcance del árbol talado antes de ser empujado.

**TALA DE TRONCOS CON DI METRO MAYOR QUE EL DOBLE DE LA LONGITUD DE LA BARRA DE GUÍA**  
Cortar una entalladura grande y amplia. Luego, efectuar el corte del centro de la entalladura. Dejar siempre la articulación en ambos lados del corte del centro. (Fig. 2-7E)

Completar el corte de tala cortando alrededor del tronco como se indica en la Fig. 2-7F.

**! ATENCIÓN!**  
Estos métodos son extremadamente peligrosos debido a que involucran el uso de la nariz de la barra de guía y pueden causar el contragolpe. Deberán intentar estas técnicas sólo los profesionales debidamente entrenados.

**Sw** Såga aldrig helt genom stammen. Lämna alltid en brytmån. Brytmånen styr trädet. Om du sågar igenom hela stammen, förlorar du kontrollen över fällningsriktningen.  
Sätt in en fällkil eller ett brytdon i spåret innan trädet blir ostadigt och börjar röra sig. Då förhindrar du att svärdet nypas fast i det fällande spåret om du har missbedömt fällningsriktningen. Kontrollera att inga personer har kommit inom området för det fallande trädet innan du knuffar till det.

**FÄLLANDE SKÅR STAMMENS DIAMETER MER ÄN SVÄRDETS DUBBLA LÅNGD**  
Såga ett stort och fällhugg. Såga därefter en fördjupning i mitten av fällhugget. Lämna alltid brytmån på båda sidorna om skärets mittområde. (Fig. 2-7E)

Avsluta det fällande kapskåret genom att såga runt om stammen som figur 2-7F visar.

**! WARNING!**  
Dessa metoder är mycket farliga, därför att svärdets spets används och ett kast kan bli resultatet. Endast tränade yrkesmän skall använda dessa metoder.



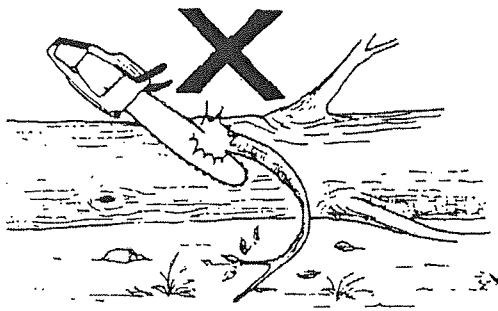


Fig.2-7G

**En LIMBING**

Limbing is removing the branches from a felled tree.

**⚠ WARNING!**

A majority of kickback accidents occur during limbing.

Do not use the nose of the guide bar. Be extremely cautious and avoid contacting the log, other limbs or objects with the nose of the guide bar. Be extremely cautious of limbs under tension. They can spring back towards you and cause loss of control resulting in injury. (Fig. 2-7G)

Stand on the left side of the trunk. Maintain a secure footing and rest the saw on the trunk. Hold the saw close to you so that you are in full control of it. Keep well away from the chain. Move only when the trunk is between you and the chain. Watch out for spring back of limbs under tension.

**LIMBING THICK BRANCHES**

When limbing thick branches, the guide bar may get pinched easily. Branches under tension often snap up, so cut troublesome branches in small steps. Apply the same principles as for cross cutting.

Think ahead and be aware of the possible consequences of all your actions.

**CROSS CUTTING / BUCKING**

Before starting to cut through the log, try to imagine what is going to happen. Look out for stresses in the log and cut through it in such a manner that the guide bar will not get pinched.

**⚠ WARNING!**

When completing a cut, be ready to hold up the units as it breaks into clear, so it will not follow through and cut your legs, feet or body, or contact an obstruction.

**CROSS CUTTING LOGS, PRESSURE ON TOP**

Take a firm stance. Begin with an upper cut. Do not cut too deeply, about 1/3 of the log diameter is enough.

Finish with a bottom cut. The saw cuts should meet. (Fig. 2-7H)

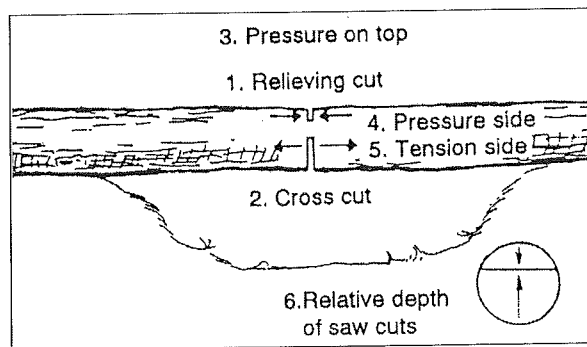


Fig.2-7H

**Fr EBRANCHAGE**

L'ébranchage consiste à détacher les branches du tronc d'un arbre abattu.

**⚠ ATTENTION!**

La plupart des accidents dus à des rebonds surviennent durant l'ébranchage. Ne jamais utiliser le nez du guide-chaîne. Soyez extrêmement prudent et évitez d'entrer en contact avec la grume, les autres branches ou objets avec le nez du guide-chaîne. Soyez extrêmement prudent lorsque des branches sont sous tension. Elles peuvent rebondir vers vous et occasionner la perte de contrôle de la machine et provoquer ainsi des blessures (Fig. 2-7G). Tenez vous du côté gauche du tronc. Ayez une position au sol bien assurée et laissez "reposer" la machine sur le tronc. La maintenir la scie près du corps afin d'en conserver le parfait contrôle. Tenez vous suffisamment loin de la chaîne. Ne vous déplacez que lorsque le tronc est entre vous et la chaîne. Faites attention au retour brutal de branches sous tension et qui pourrait vous blesser.

**EBRANCHAGE DE BRANCHES EPAISSES**

Lors de l'ébranchage de branches épaisses, le guide-chaîne peut se bloquer facilement. Les branches sous tension peuvent se détacher soudainement. Aussi, coupez les branches qui posent des problèmes d'une manière progressive et en prenant toutes les précautions nécessaires. Appliquez les mêmes principes que lors de la coupe transversale. Anticipez vos gestes et prévoyez toujours à l'avance les conséquences possibles de tous vos actes.

**COUPE TRANSVERSALE OU TRONCONNAGE**

Avant de tronçonner le bois en grumes, essayez de visualiser et d'imaginer ce qui va se passer. Essayez de repérer et de localiser les efforts dans la grume de façon à ce que le guide-chaîne ne risque pas de se trouver coincé.

**⚠ ATTENTION!**

Lorsque la coupe est terminée, se tenir prêt à tenir fermement l'outil car il se libère brusquement, pour ne pas en perdre le contrôle et risquer de se couper les jambes, les pieds ou le corps, ni de le toucher.

**GRUMES COUPEES TRANSVERSALEMENT, LA PRESSION S'EXERCANT PAR LE HAUT**

Se positionner fermement et bien en équilibre. Commencez par pratiquer une coupe par la face supérieure. Ne pas tronçonner trop profondément, 1/3 du diamètre de la grume est suffisant. Achever par une coupe à partir de la face inférieure. Les deux fentes de coupe doivent se rejoindre (Fig. 2-7H).

- (1) Coupe de détente
- (2) Coupe transversale
- (3) Pression sur la face supérieure
- (4) Côté pression
- (5) Côté tension
- (6) Profondeur relative des fentes réalisées par la tronçonneuse

**It RIMOZIONE DEI RAMI**

La rimozione dei rami consiste nello staccare i rami da un albero abbattuto.

**⚠ ATTENZIONE!**

La maggior parte degli incidenti per contraccolpi avviene durante la rimozione dei rami. Non usare la punta della lama catena. Prestare molta attenzione ad evitare di toccare il tronco, altri grossi rami o oggetti con la punta della lama catena. Essere estremamente prudenti con grossi rami sotto tensione. Essi possono curvarsi di scatto verso l'operatore e causare la perdita del controllo provocando lesioni. (Fig. 2-7G) Stare in piedi sul lato sinistro del fusto. Mantenere un punto d'appoggio sicuro per i piedi e appoggiare la lama sul fusto. Tenere la motosega vicino a sé in modo da poterne avere il pieno controllo. Tenersi ben lontani dalla catena. Muoversi solo quando il fusto si trova fra se stessi e la catena. Fare attenzione agli scatti dei rami sotto tensione.

**RIMOZIONE DI RAMI GROSSI**

Quando si staccano rami grossi, la lama catena può facilmente rimanere bloccata. I rami sotto tensione spesso balzano verso l'alto di scatto, perciò tagliare i rami fastidiosi per gradi. Applicare gli stessi principi al taglio trasversale. Riflettere in anticipo ed essere consapevoli delle possibili conseguenze di tutte le proprie azioni.

**TAGLIO TRASVERSALE/TAGLIO DI TRONCHI**

Prima di cominciare a tagliare il tronco, provare ad immaginare cosa sta per accadere. Fare attenzione alle sollecitazioni nel tronco e tagliare il tronco in maniera tale che la lama catena non rimanga bloccata.

**⚠ ATTENZIONE!**

Quando state per completare un taglio, siate pronti a sollevare l'unità non appena ultimato il taglio, in modo che l'unità non prosegua oltre e possa causare ferite alle vostre gambe, piedi o corpo, o venga a contatto con un ostacolo.

**TAGLIO TRASVERSALE DI TRONCHI, PRESSIONE SULLA PARTE SUPERIORE**

Assumere una posizione stabile. Iniziare con un taglio dall'alto. Non fare un taglio troppo profondo; è sufficiente 1/3 circa del diametro del tronco. Completare con un taglio dal basso. I tagli della sega devono incontrarsi. (Fig. 2-7H)

- (1) Taglio di alleggerimento
- (2) Taglio trasversale
- (3) Pressione sulla parte superiore
- (4) Lato di pressione
- (5) Lato di tensione
- (6) Profondità relativa dei tagli della sega

## Ge ENTÄSTEN

Bei diesem Vorgang werden die Äste eines gefällten Baumes entfernt.

### ⚠️ WARNUNG!

Die meisten Unfälle durch Rückschlag treten beim Entästen auf. Niemals mit der Schienenspitze sägen! Unbedingt darauf achten, dass die Schienenspitze beim Hantieren der Säge nicht mit dem Stamm, Ästen oder anderen Gegenständen in Berührung kommt. Unter Spannung stehende Äste sind besonders gefährlich, da sie beim Abschneiden wie ein Peitsche hervorschnellen und direkt oder indirekt Verletzungen verursachen können. (Fig. 2-7G)

Auf der linken Seite des Stamms einen festen Stand einnehmen und die Säge auf den Stamm auflegen. Die Säge in Körpfernähe halten, um sie gut unter Kontrolle zu haben. Ausreichend Abstand zur Kette einhalten. Bei Änderungen des Standorts die Kette stets auf der anderen Seite des Stamms halten. Äste, die durch das Gewicht des Stamms unter Spannung stehen, sind besonders gefährlich, da sie beim Abschneiden wie eine Peitsche wirken.

## ABSCHNEIDEN STÄRKERER ÄSTE

Beim Schneiden dicker Äste verklemmt sich die Schiene leicht.

Unter Spannung stehende Äste können unvermittelt brechen und hochschnellen, weshalb problematische Äste besser in mehreren Arbeitsgängen entfernt werden sollten. Im allgemeinen gelten hier dieselben Prinzipien wie beim Trennen / Ablängen. Gute Voraussicht und sorgfältige Arbeitsplanung ist die beste Versicherung gegen Unfälle.

## TRENNEN / ABLÄNGEN

Als erstes sollte man sich überlegen, was beim Durchsägen des Stamms passiert. Den Stamm auf Belastungspunkte untersuchen und sicherstellen, dass die Schiene beim Durchsägen nicht eingeklemmt werden kann.

### ⚠️ WARNUNG!

Halten Sie Säge nach der Verwendung stabil fest, bis sie still steht, damit Sie sich nicht in die Beine, Füße oder andere Körperteile schneiden und keine andere Gegenstände berühren.

## TRENNEN MIT DRUCK AN DER OBEREN SEITE

Einen festen Stand einnehmen, Zunächst oben einen

Entlastungsschnitt machen. Dieser darf nicht zu tief sein, 1/3 des Stammdurchmessers ist ausreichend. Danach den Trennschnitt von unten her machen. Die beiden Einschnitte müssen sich decken. (Fig. 2-7H)

- (1) Entlastungsschnitt
- (2) Trennschnitt
- (3) Druck an der oberen Seite
- (4) Druckseite
- (5) Zugseite
- (6) Relative Tiefe der beiden Einschnitte

## Sp PODA

La poda es la eliminación de las ramas de un árbol talado.

### ⚠️ ATENCIÓN!

La mayoría de los accidentes de contragolpes ocurren durante la poda. No deberá usarse la nariz de la barra de guía. Deberá prestarse las precauciones extremas evitando el contacto de la nariz de la barra de guía con el rollo, otras ramas u objetos. Prestar la máxima atención a las ramas que estén bajo tensión. Pueden saltar contra usted y causar la pérdida del control y las lesiones consecuentes. (Fig. 2-7G)

Pararse en el lado izquierdo del tronco. Mantenerse con los pies firmes y apoyar la sierra sobre el tronco. Sostener la sierra cerca suyo de manera que pueda mantener el control total de la misma. Mantenerse bien alejado de la sierra. Mover sólo cuando el tronco esté entre usted y la cadena. Observar las reacciones de las ramas bajo tensión.

## PODA DE RAMAS GRUESAS

Cuando deba podarse una rama gruesa, la barra de guía puede quedar fácilmente aprisionada. Debido a que las ramas bajo tensión suelen causar saltos, el corte de las ramas problemáticas deberá realizarse por pasos pequeños. Aplicar el mismo principio del troceo. Pensar y estar alerta ante las posibles consecuencias de todas sus acciones.

## CORTE TRANSVERSAL / TROCEO

Antes de iniciar el corte del rollo, deberá imaginarse lo que pueda ocurrir. Observar los esfuerzos en el rollo y cortarlo de manera que la barra de guía no quede aprisionada.

### ⚠️ ATENCIÓN!

Cuando finalice un corte, esté preparado para sujetar la unidad cuando quede libre, a fin de que no se corte las piernas, los pies, o el cuerpo, y para que no entre en contacto con una obstrucción.

## TROCEO DEL ROLLO CON PRESIÓN EN LA PARTE SUPERIOR

Adoptar una posición firme. Iniciar con el corte superior. No cortar demasiado profundo, siendo suficiente con alrededor de 1/3 del diámetro del rollo. Terminar con un corte inferior. Deberán coincidir los cortes de la sierra. (Fig. 2-7H)

- (1) Lado de liberación
- (2) Troceo
- (3) Presión en la parte superior
- (4) Lado de presión
- (5) Lado de tensión
- (6) Profundidad relativa de los cortes de sierra

## Sw KVISTNING

Kvistning betyder att såga bort grenarna från ett fällt träd..

### ⚠️ VARNING!

De flesta kastolyckorna uppstår vid kvistning. Använd inte svärdets topp. Var mycket försiktig och undvik att beröra stammen, andra grenar eller föremål med svärdets topp. Var särskilt försiktig med spända grenar. De kan fjädra tillbaka mot dig så att du tappar kontrollen över motorsågen och skadas. (Fig. 2-7G)

Stå på stammens vänstra sida. Ha ett stadigt fotfäste och låt motorsågen vila på stammen. Håll sågen nära dig, så att du helt kan kontrollera den. Håll dig borta från sågkedjan. Flytta dig endast när stammen är mellan dig och sågkedjan. Se upp för spända grenar som kan fjädra tillbaka mot dig.

## KVISTNING AV TJOCKA GRENAR

Vid kvistning av tjocka grenar kan svärdet lätt nypas fast. Spända grenar fjädrar ofta uppåt. Såga därför av problematiska grenar en bit i taget. Använd samma arbetssätt som vid dubbelkapning. Tänk i förväg och var uppmärksam på de möjliga konsekvenserna av ditt agerande.

## DUBBELKAPNING / BUCKING

Innan du börjar att såga genom en stock, skall du försöka tänka dig in i vad som kommer att hända. Håll utkik efter spänningar i stocken och såga igenom den på ett sådant sätt att svärdet inte nypas fast.

### ⚠️ VARNING!

Var vid kapning beredd på att hålla emot motorsågen när den kommit igenom trädet etc., så att svärdet inte fortsätter genom luften och riskerar att såga i ben, fötter eller annan kroppsdel eller i något föremål som kommer i vägen.

## DUBBELKAPNING AV STOCKAR, TRYCK PÅ ÖVANSIDAN

Tag ett stadigt fotfäste. Börja med ett övre skär. Såga inte för djupt - ca. 1/3 av stocken räcker. Avsluta med ett nedre skär. Sågskären bör mötas. (Fig. 2-7H)

- (1) Avlastande skär
- (2) Dubbelkapning
- (3) Tryck på ovensidan
- (4) Trycksidan
- (5) Spännsidan
- (6) Sågskärens relativa djup

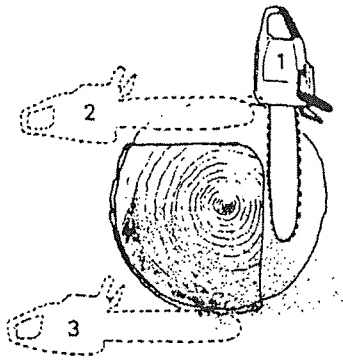


Fig.2-7J

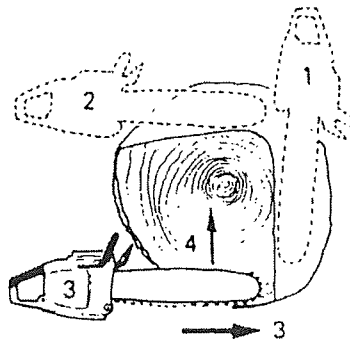


Fig.2-7K

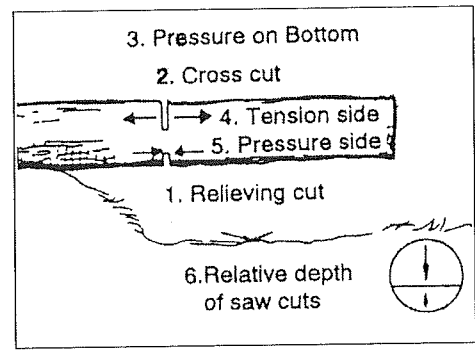


Fig.2-7L

**(En) THICK LOG, LARGER THAN GUIDE BAR LENGTH**

Begin by cutting on the opposite side of the log. Pull the saw towards you followed by previous procedure. (Fig. 2-7J)

If the log is lying on the ground make a boring cut to avoid cutting into the ground. Finish with a bottom cut. (Fig. 2-7K)

**⚠ WARNING! KICKBACK DANGER!!**

Do not attempt a boring cut if you are not properly trained. A boring cut involves the use of the nose of the guide bar and can result in kickback.

**CROSS CUTTING LOGS, PRESSURE ON BOTTOM**

Take a firm stance. Begin with a bottom cut. The depth of the cut should be about 1/3 of the log diameter.

Finish with an upper cut. The saw cuts should meet. (Fig. 2-7L)

**(Fr) GRUMES D'UN DIAMETRE SUPERIEUR A LA LONGUEUR DU GUIDE-CHAINE**

Commencer l'opération en effectuant une coupe par la face opposée de la grume. Tirer la tronçonneuse vers vous puis suivez la procédure précédente détaillée ci-dessus (Fig. 2-7J).

Si la grume se trouve couchée sur le sol, faites une coupe en mortaise pour éviter de faire pénétrer le guide-chaîne dans le sol. Achever l'opération avec une coupe par la face inférieure (Fig. 2-7K).

**⚠ ATTENTION ! DANGER DE REBONDS !!**

N'essayez pas de faire une coupe en mortaise si vous n'avez pas suivi une formation adéquate. Une coupe en mortaise s'effectue en utilisant le nez du guide-chaîne et peut provoquer un rebond.

**COUPE TRANSVERSALE DES GRUMES, LA PRESSION S'EXERCANT PAR LE BAS**

Se positionner fermement et bien en équilibre. Commencez par pratiquer une coupe par la face inférieure. Ne pas tronçonner trop profondément, 1/3 du diamètre de la grume est suffisant. Achever par une coupe à partir de la face supérieure. Les deux fentes de coupe doivent se rejoindre (Fig. 2-7L).

- (1) Coupe de détente
- (2) Coupe transversale
- (3) Pression sur la face inférieure
- (4) Côté tension
- (5) Côté pression
- (6) Profondeur relative des fentes réalisées par la tronçonneuse

**(It) TRONCO SPESSO, PIÙ GRANDE DELLA LUNGHEZZA DELLA BARRA CATENA**

Iniziare col tagliare sul lato opposto del tronco. Tirare la motosega verso di sé facendo seguire il procedimento precedente. (Fig. 2-7J)

Se il tronco giace al suolo fare un taglio di alesatura per evitare di tagliare nel terreno. Completare con un taglio dal fondo. (Fig. 2-7K)

**⚠ ATTENZIONE! PERICOLO DI CONTRACCOLPI!!**

Non tentare di fare un taglio di alesatura se non si ha una preparazione appropriata. Un foro di alesatura comporta l'uso della punta della barra catena e può causare contraccolpi.

**TAGLIO TRASVERSALE DI TRONCHI, PRESSIONE SUL FONDO**  
Assumere una posizione stabile. Iniziare con un taglio dall'alto. La profondità del taglio deve essere di 1/3 circa del diametro del tronco. Completare con un taglio dall'alto. I tagli della motosega devono incontrarsi. (Fig. 2-7L)

- (1) Taglio di alleggerimento
- (2) Taglio trasversale
- (3) Pressione sul fondo
- (4) Lato di tensione
- (5) Lato di pressione
- (6) Profondità relativa dei tagli della motosega

**Ge** TRENKEN VON STÄMMEN MIT EINEM DURCHMESSER, DER GRÖßER IST ALS DIE SCHIENENLÄNGE  
Zunächst einen Einschnitt an der gegenüberliegenden Seite des Stamms machen. Die Säge dann an der Oberseite zurückziehen und den Stamm trennen, wie im vorangehenden Abschnitt beschrieben. (Fig. 2-7J)

Sollte der Stamm auf dem Boden liegen, den Trennschnitt mit einem Bohrschnitt einleiten, um zu verhüten, daß sich die Schiene in den Boden gräbt. (Fig. 2-7K)

**! WARNUNG! RÜCKSCHLAGGEFAHR !!**  
Bohrschnitte dürfen nur von geschulten Kräften gemacht werden, da hierbei die Schienenspitze zum Einsatz kommt und Rückschläge nicht auszuschließen sind

#### TRENKEN MIT DRUCK AN DER UNTEREN SEITE

Einen festen Stand einnehmen. Zunächst unten einen Entlastungsschnitt machen. Die-ser darf nicht zu tief sein, 1/3 des Stammdurchmessers ist ausreichend. Danach den Trennschnitt von oben her machen. Die beiden Einschnitte müssen sich decken. (Fig. 2-7L)

- (1) Entlastungsschnitt
- (2) Trennschnitt
- (3) Druck an der unteren Seite
- (4) Zugseite
- (5) Druckseite
- (6) Relative Tiefe der beiden Einschnitte

**Sp** ROLLO GRUESO, MAYOR QUE LA LONGITUD DE LA BARRA DE GUÍA  
Iniciar con el corte del lado opuesto del rollo. Halar la sierra hacia usted seguido por el procedimiento previo. (Fig. 2-7J)

Si el rollo estuviera apoyado sobre el suelo, deberá efectuarse el corte de perforación para evitar el corte hacia el suelo. Terminar con el corte superior. (Fig. 2-7K)

#### **! ATENCIÓN! CONTRA EL PELIGRO DE CONTRAGOLPE!!**

No deberá intentarse el corte de perforación cuando no esté debidamente entrenado. El corte de perforación involucra el uso de la nariz de la barra de guía que puede causar el contragolpe.

#### TROCEO DEL TRONCO CON PRESION EN LA PARTE INFERIOR

Adoptar una posición firme. Iniciar con el corte inferior. La profundidad del corte será de alrededor de 1/3 del diámetro del rollo. Terminar con un corte superior. Deberán coincidir los cortes de la sierra. (Fig. 2-7L)

- (1) Corte de liberación
- (2) Troceo
- (3) Presión en la parte inferior
- (4) Lado de tensión
- (5) Lado de presión
- (6) Profundidad relativa de los cortes de sierra

**Sw** TJOCK STOCK, STÖRRE ÄN SVÄRDETS LÄNGD  
Börja såga på stockens andra sida. Drag sågen mot dig, följt av föregående arbets-moment. (Fig. 2-7J)

Om stocken ligger på marken, skall du göra en instickande sågning för att undvika att såga i marken. Avsluta med en sågning underifrån (Fig. 2-7K)

#### **! VARNING - FARA FÖR KAST!!**

Försök inte att göra en instickande sågning om du inte är lämpligt tränad för detta. Vid en instickande sågning används svärdets topp och resultatet kan bli ett kast.

#### DUBBELKAPNING AV STOCKAR, TRYCK PÅ UNDERSIDAN

Tag ett stadigt fotfäste. Börja med ett nedre skär. Skåret skall vara ca. 1/3 av stockens diameter. Avsluta med ett övre skär. Sågskären bör mötas. (Fig. 2-7L)

- (1) Avlastande skär
- (2) Dubbelkapning
- (3) Tryck på undersidan
- (4) Spännsidan
- (5) Trycksidan
- (6) Sågskärens relativa djup

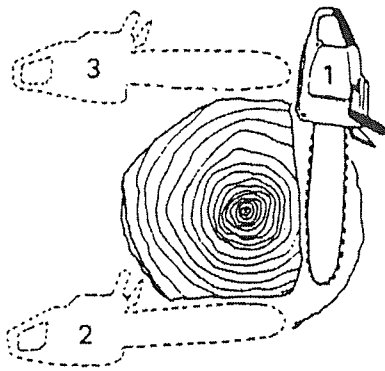


Fig.2-7M

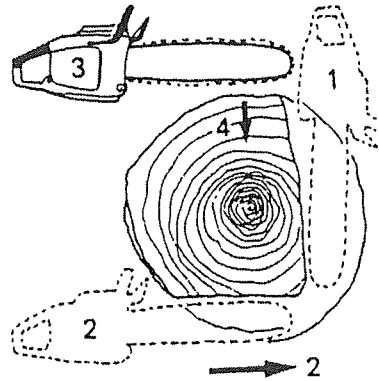


Fig.2-7N

- Ⓔ THICK LOG, LARGER THAN GUIDE BAR LENGTH  
Begin by cutting on the opposite side of the log. Pull the saw towards you, followed by previous procedure. Make a boring cut if the log is close to the ground. Finish with a top cut. (Fig. 2-7M)

**⚠ WARNING! KICKBACK DANGER!!**

Do not attempt a boring cut if you are not properly trained. A boring cut involves the use of the nose of the guide bar and can result in kickback. (Fig. 2-7N)

**IF THE SAW GETS STUCK**

Stop the engine.  
Raise the log or change its position, using a thick branch or pole as a lever.  
Do not try to pull the saw free. If you do, you can deform the handle or be injured by the saw chain if the saw is suddenly released.

- Ⓕ GRUME DE GRAND DIAMETRE SUPERIEUR LA LONGUEUR DU GUIDE-CHAÎNE  
Si la grume se trouve proche du sol, faire une coupe en mortaise pour éviter de faire pénétrer la scie dans le sol. Achèver l'opération avec une coupe sur la partie supérieure. (Fig. 2-7M)

**⚠ ATTENTION ! DANGER DE REBOND !!**

N'essayez pas de faire une coupe en mortaise si vous n'avez pas suivi une formation adéquate. Une coupe en mortaise s'effectue en utilisant le nez du guide-chaîne ce qui peut provoquer un rebond. (Fig. 2-7N)

Si la chaîne se bloque :

Arrêter le moteur.  
Relever la grume ou changer sa position en utilisant une grosse branche ou un poteau comme levier.  
N'essayez pas de libérer la tronçonneuse. Si vous le faites, vous risquez de déformer la poignée ou d'être blessé par la chaîne si celle-ci se libère soudainement.

- Ⓖ TRONCO SPESSE, PIÙ GRANDE DELLA LUNGHEZZA DELLA LAMA GUIDA  
Iniziare col tagliare sul lato opposto del tronco. Tirare la motosega verso di sé continuando con il procedimento precedente. Fare un foro di alesatura se il tronco è vicino al suolo. Completare con un taglio dall'alto. (Fig. 2-7M)

**⚠ ATTENZIONE! PERICOLO DI CONTRACCOLPI!!**

Non tentare di fare un taglio di alesatura se non si ha una preparazione appropriata. Un foro di alesatura comporta l'uso della punta della barra catena e può causare contraccolpi. (Fig. 2-7N)

**SE LA MOTOSEGA SI INCEPPA**

Fermare il motore.  
Sollevare il tronco o cambiarne la posizione, usando un ramo spesso o un palo come leva.  
Non tentare di tirare la motosega a folle. Se si fa ciò, si corre il rischio di deformare l'impugnatura o di essere feriti dalla catena della sega se la sega viene improvvisamente rilasciata.

**Ge** TRENKEN VON STÄMMEN MIT EINEM DURCHMESSER, DER GRÖßER IST ALS DIE SCHIENENLÄNGE  
Zunächst einen Einschnitt an der gegenüberliegenden Seite des Stamms machen. Die Säge dann zurückziehen und wie im vorangehenden Abschnitt weitermachen. Sollte der Stamm auf dem Boden liegen, den Entlastungsschnitt mit einem Bohrschnitt einleiten. Abschließend den Trennschnitt von oben her machen. (Fig. 2-7M)

**! WARNUNG! RÜCKSCHLAGGEFAHR !!**  
Bohrschnitte dürfen nur von geschulten Kräften gemacht werden, da hierbei die Schienenspitze zum Einsatz kommt und Rückschläge nicht auszuschließen sind. (Fig. 2-7N)

**FESTFRESSEN DER SÄGE**  
Den Motor abstellen.  
Den Stamm mit einem starken Ast als Hebel anheben oder zur Seite wälzen. Nicht versuchen, die Säge mit Gewalt aus dem Einschnitt zu ziehen. Der Griff kann dabei verbiegen, und wenn sich die Säge unvermittelt löst, kann man sich an der Kette verletzen.

**Sp** ROLLO GRUESO, MAYOR QUE LA LONGITUD DE LA BARRA DE GUÍA  
Iniciar con el corte del lado opuesto del rollo. Halar la sierra hacia uno mismo seguido por el procedimiento previo. Realizar el corte de perforación si el rollo estuviera cerca del suelo. Terminar con el corte superior. (Fig. 2-7M)

**! ATENCIÓN! CONTRA EL PELIGRO DE CONTRAGOLPE !!**

No intentar el corte de perforación si no está debidamente entrenado. El corte de perforación involucra el uso de la nariz de la barra de guía que puede causar el contra-golpe. (Fig. 2-7N)

**CUANDO LA SIERRA QUEDE ATASCADA**  
Parar el motor.

Elevar el rollo o cambiar su posición utilizando una rama gruesa o un palo como palanca. No tratar de halar la sierra para liberarla, ya que podrá deformarse la manija o sufrir heridas con la cadena de la sierra al liberarse repentinamente la sierra.

**Sw** TJOCK STOCK, STÖRRE ÄN SVÄRDETS LÄNGD  
Börja såga på stockens andra sida. Drag sågen mot dig, efterföljt av föregående arbetsmoment. Gör en instickande sågning om stocken är nära marken. Avsluta med ett övre spår. (Fig. 2-7M)

**! VARNING - FARA FÖR KAST!!**

Försök inte att göra en instickande sågning om du inte är lämpligt tränad för detta. Vid en instickande sågning används svärdets topp och resultatet kan bli ett kast. (Fig. 2-7N)

**OM SÅGEN NYPER FAST. STÅNG AV MOTORN !**

Lyft upp stocken eller flytta den med en tjock gren eller en stolpe som hävarm. Försök inte att dra loss sågen. Om du gör det, kan du deformera handtaget eller skadas av sågkedjan om sågen plötsligt lossnar.

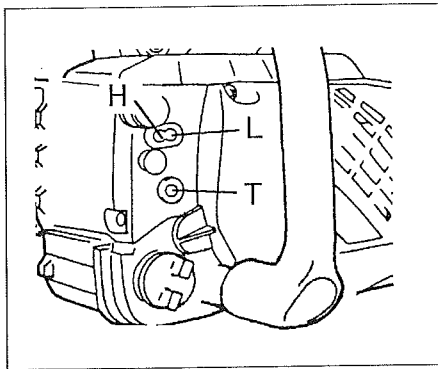


Fig. 3-1

## 5. Maintenance

**(En) MAINTENANCE, REPLACEMENT, OR REPAIR OF THE EMISSION CONTROL DEVICES AND SYSTEM MAY BE PERFORMED BY ANY NON-ROAD ENGINE REPAIR ESTABLISHMENT OR INDIVIDUAL.**

### Carburetor adjustment (Fig. 3-1)

#### **⚠ WARNING!**

Never start the engine without the complete clutch cover. Otherwise the clutch can come loose and cause personal injuries.

In the carburetor, fuel is mixed with air. When the engine is test run at the factory, the carburetor is adjusted. A further adjustment may be required, according to climate and altitude. The carburetor has one adjustment possibility:

T = Idle speed adjustment screw.

### Idle speed adjustment (T)

Check that the air filter is clean. When the idle speed is correct, the cutting attachment will not rotate. If adjustment is required, close (clock-wise) the T-screw, with the engine running, until the cutting attachment starts to rotate. Open (counter-clockwise) the screw until the cutting attachment stops. You have reached the correct idle speed when the engine runs smoothly in all positions well below the rpm when the cutting attachment starts to rotate.

If the cutting attachment still rotates after idle speed adjustment, contact your service dealer.

#### **⚠ WARNING!**

When the engine is idling the cutting attachment must under no circumstances rotate.

#### **NOTE!**

Some models sold in areas with strict exhaust emission regulations do not have high and low speed carburetor adjustments. Such adjustments may allow the engine to be operated outside of their emission compliance limits. For these models, the only carburetor adjustment is idle speed.

For models that are equipped with low and high speed adjustments; carburetors are preset at the factory. Minor adjustments may optimize performance based on climate, altitude, etc. Never turn the adjustment screws in increments greater than 90 degrees, as engine damage can result from incorrect adjustment. If you are not familiar with this type of adjustment seek assistance from your Maruyama dealer.

## 5. Entretien

**(Fr) L'ENTRETIEN, LE REMPLACEMENT OU LA REPARATION DES DISPOSITIFS ET SYSTEMES DE CONTRÔLE DE L'ÉCHAPPEMENT PEUVENT ÊTRE EFFECTUÉS PAR N'IMPORTE QUEL ATELIER DE REPARATION OU MECANICIEN DE MOTEUR NON AUTOMOBILE.**

### Réglage du carburateur (Fig. 3-1)

#### **⚠ ATTENTION!**

Ne jamais essayer de démarrer le moteur tant que le carter de protection du côté embrayage n'est pas parfaitement en place. Dans le cas contraire l'embrayage risquerait de se détacher entraînant des blessures corporelles.

Dans le carburateur, l'air est mélangé à l'essence. Le carburateur est réglé pendant les essais en usine. Ce réglage peut nécessiter des modifications selon les conditions climatiques et l'altitude. Le carburateur présente une possibilité de réglage.

T = Vis de réglage du ralenti

### Réglage du ralenti (T)

Commencez par vérifier la propreté du filtre à air. Lorsque le ralenti est correct, la chaîne ne doit pas tourner. Si un réglage s'avère nécessaire, visser, dans le sens des aiguilles d'une montre, la vis T, le moteur en marche jusqu'à ce que la lame commence à tourner. Dévisser alors en sens contraire (sens inverse des aiguilles d'une montre) jusqu'à ce que la chaîne s'immobilise à nouveau. Un ralenti correct permet au moteur de tourner sans variation de régime dans toutes les positions ce qui assure une marge de sécurité avant la mise en rotation de la chaîne. Si le ralenti ne peut être réglé de manière à obtenir l'arrêt de la chaîne, contacter l'agent le plus proche.

#### **⚠ ATTENTION!**

La chaîne doit être absolument immobile, le moteur tournant au ralenti.

#### **REMARQUE!**

Quelques-uns modèles vendus dans les secteurs avec les règlements d'émission d'échappement stricts n'ont pas hauts ajustements et les ajustements bas de carburateur de vitesse. Tels ajustements peuvent permettre au moteur d'être fonctionné à l'extérieur de leurs limites de conformité d'émission. Pour ces modèles, le seul ajustement de carburateur est la vitesse inoccupée.

Pour les modèles qui sont équipés avec le niveau bas et les ajustements rapides; les carburateurs sont réglés à l'avance à l'usine. Les ajustements mineurs peuvent optimiser l'exécution basée sur le climat, l'altitude, etc. Ne jamais tourner les vis d'ajustement dans les graduations plus grandes que 90 degrés, comme les dommages de moteur peuvent résulter la forme ajustement inexact. Si vous n'êtes pas familier avec ce type d'ajustement recherche l'assistance de votre négociant de Maruyama.

## 5. Manutenzione

**(It) LA MANUTENZIONE, SOSTITUZIONE O RIPARAZIONE DEI DISPOSITIVI E SISTEMI DI CONTROLLO DELLE EMISSIONI POSSONO ESSERE ESEGUITE DA QUALSIASI OFFICINA O TECNICO DI RIPARAZIONE MOTORI NON VEICOLARI.**

### Regolazione del carburatore (Fig. 3-1)

#### **⚠ ATTENZIONE!**

Non avviare mai il motore senza il coperchio della frizione correttamente montato, altrimenti la frizione potrebbe staccarsi e causare lesioni alle persone.

Nel carburatore, il carburante viene mescolato con l'aria. Quando il motore viene collaudato in fabbrica, il carburatore viene tarato.

Può essere necessario ricontrollare la taratura a seconda del clima e dell'altitudine della zona di impiego. La regolazione del minimo del carburatore può essere effettuata con:

T = Vite di regolazione del minimo.

### Regolazione del minimo (T)

Controllare che il filtro dell'aria sia pulito. Se il minimo è corretto, il dispositivo di taglio non gira. Se è necessario regolare il minimo, chiudere la vite "T" (in senso orario) con il motore in moto, fino a quando il dispositivo di taglio comincia a girare. Riaprire poi la vite (in senso antiorario) fino a quando il dispositivo di taglio si ferma. Il minimo è corretto quando il motore gira regolarmente in ogni posizione, al di sotto del regime di giri necessario al dispositivo di taglio per iniziare a girare.

Se il dispositivo di taglio continua a girare dopo la regolazione del minimo, contattare il rivenditore.

#### **⚠ ATTENZIONE!**

Con il motore al minimo, il dispositivo di taglio no deve assolutamente girare.

#### **NOTA!**

Alcuni modelli venduti in zone con norme rigorose sulle emissioni dei gas di scarico, non possiedono le regolazioni di carburazione del massimo e del minimo. Tali regolazioni possono permettere al motore di funzionare all'infuori dei limiti di conformità di emissione. Per questi modelli, l'unica regolazione del carburatore è quella del minimo.

Per i modelli equipaggiati con le regolazioni di massimo e di minimo, i carburatori sono prerogolati dalla fabbrica. Piccole regolazioni possono ottimizzare le prestazioni in base al clima, all'altitudine, ecc. Non girare mai le viti di regolazione con incrementi superiori a 90 gradi, poiché con una regolazione errata si può provocare danni al motore. Se non si ha l'esperienza con questo tipo di regolazione chiedere assistenza al vostro rivenditore Maruyama.

## 5. Wartung

**(Ge)** WARTUNG, AUSTAUSCH ODER REPARATUR DER ABGASKONTROLLVORRICHTUNGEN UND - SYSTEME SOLLTE NUR EINE SPEZIALISIERTE FACHWERKSTÄTTE DURCHFÜHRT WERDEN

Vergaser-Einstellung (Fig. 3-1)

### ⚠️ WARNUNG!

Den Motor niemals ohne angebaute Kupplungsabdeckung anlassen, da sich die Kupplung dabei lösen und Verletzungen verursachen kann.

Im Vergaser werden Luft und Kraftstoff gemischt. Die Einstellung des Vergasers ist beim Probelauf im Werk schon vorgenommen worden. Je nach Einsatzort kann eine Korrektur dieser Einstellung erforderlich werden. Der Vergaser hat eine Einstellschraube:

T = Leerlauf-Einstellschraube.

### Einstellung des Leerlaufs (T)

Luftfilter reinigen. Die Leerlaufdrehzahl so einstellen, bis die Schneidvorrichtung sich nicht mehr dreht. Falls eine Einstellung notwendig ist, bei laufendem Motor die Leerlaufschraube T (im Uhrzeigersinn) hinein-drehen, bis die Schneidvorrichtung sich zu drehen beginnt. Dann (entgegen dem Uhrzeigersinn) aufdrehen, bis die Schneidvorrichtung stehenbleibt. Die Leerlaufdrehzahl ist richtig eingestellt, wenn der Motor in jeder Position gleichmäßig läuft, doch in gutem Verhältnis zur Drehzahl wo die Schneidvorrichtung sich zu drehen beginnt. Wenn die Leerlaufdrehzahl nicht so eingestellt werden kann, daß die Schneidvorrichtung sich nicht dreht, den Fachhändler aufsuchen.

### ⚠️ WARNUNG!

Wenn der Motor im Leerlauf arbeitet, darf sich die Schneidvorrichtung auf keinen Fall drehen.

### HINWEIS!

Bei einigen, in Ländern mit strengen Abgasvorschriften vertriebenen Modellen, besitzt der Vergaser keine High- und Low-Einstellmöglichkeit, da bei dieser Einstellung die zulässigen Abgaswerte überschritten werden können. Solche Modelle ermöglichen lediglich eine Einstellung der Leerlaufdrehzahl.

Der Vergaser von Modellen, die mit einer High- und Low-Einstellmöglichkeit ausgestattet sind, wurde werkseitig bereits eingestellt. Abhängig von Klima, Höhe usw. kann durch eine Nachjustierung der Lauf optimiert werden. Die Einstellschraube sollte jedoch niemals um mehr als 90 Grad gedreht werden, da eine falsche Einstellung den Motor beschädigen kann. Wenn Sie mit Vergasereinstellungen nicht vertraut sind, wenden Sie sich bitte an Ihren Maruyama-Händler.

## 5. Mantenimiento

**(Sp)** MANTENIMIENTO, REEMPLAZO O REPARACIÓN DE DISPOSITIVOS Y SISTEMAS DE CONTROL DE GAS PUEDEN HACERSE EN CUALQUIER TALLER DE REPARACIÓN DE MOTOR NO PARA CARRERAS O PERSONALMENTE.

Ajuste del carburador (Fig. 3-1)

### ⚠️ ATENCIÓN!

Jamás deberá arrancarse el motor sin la cubierta completa del embrague, ya que podría aflojarse el embrague y causar lesiones personales.

En el carburador se mezcla el combustible con el aire. Durante la prueba del motor en la fábrica, el carburador está ajustado. Sin embargo, puede ser necesario reajustarlo según el clima y la altitud. El carburador tiene una posibilidad de ajuste:

T = Tornillo para el ajuste de las revoluciones de ralentí.

### Ajuste de precisión de ralentí (T)

Comprueben que el filtro de aire esté limpio. Cuando la velocidad de ralentí es correcta, el aditamento de corte no ha de girar. Si se requiere el ajuste cierre (sentido destrógiro) el tornillo T con el motor en marcha hasta que el aditamento de corte empiece a girar. Abra (sentido siniestrógiro) el tornillo T hasta que la cuchilla se detenga. Se habrá alcanzado el ralentí correcto cuando el motor funcione con regularidad en cualquier posición muy por debajo de las que empieza a girar el aditamento de corte. Si el aditamento de corte sigue girando después del ajuste del ralentí, acuda a su Agencia de distribución.

### ⚠️ ATENCIÓN!

En ningún caso se permitirá que el aditamento de corte gire incidentalmente con el motor funcione en ralentí.

### NOTA!

Algunos modelos vendidos en áreas con regulaciones estrictas de emisión de escape no tiene los ajustes altos y bajos de carburador de velocidad. Tales ajustes pueden permitir el motor para ser operado fuera de sus límites de la conformidad de la emisión. Para estos modelos, el ajuste del único carburador es la velocidad vago.

Para los modelos que se equipan con bajo y los ajustes de alta velocidad; carburadores se fijan en la fábrica. Los ajustes secundarios pueden optimizar el desempeño basado en el clima, la altitud, etc. Nunca gire los tornillos del ajuste en incrementos más que 90 grados, como el daño de motor puede resultar forma el ajuste inexacto. Si usted no está familiarizado con este tipo del ajuste-busca ayuda de su comerciante de Maruyama

## 5. Underhåll

**(Sw)** ANORDNINGARNA OCH SYSTEMEN FÖR EMISSIONSKONTROLL FÅR UNDERHÅLLAS, BYTAS ELLER REPARERAS AV EN VANLIG MASKINREPARATÖR ELLER VID EN VANLIG VERKSTAD FÖR MOTORREDSKAP

Förgasarjustering (Fig. 3-1)

### ⚠️ VARNING!

Starta aldrig motorn utan att kopplingskåpan sitter på plats. Annars kan kopplingen lossna och orsaka person-skador.

I förgasaren blandas bränsle och luft. När motorn provkörts vid fabriken justeras även förgasaren. Om ytterligare justering behövs, orsakat av klimat eller höjdläge, finns bara en justeringsmöjlighet: T = Justerskruv för tomgångsvarvtal.

### Tomgångsjustering (T)

Kontrollera att luftfiltret är rent. Vid korrekt inställt tomgångsvarvtal roterar inte kedjan. Om justering krävs, så vrid T-skraven medurs med motorn igång tills kedjan börjar rotera. Vrid skruven därefter moturs tills kedjan slutar rotera.

Rätt tomgångsvarvtal har uppnåtts när motorn går jämnt i alla lägen på ett varvtal som är lägre än det då kedjan börjar rotera. Kontakta din serviceverkstad om kedjan roterar trots justering av tomgångsvarvtalet.

### ⚠️ VARNING!

Kedjan får under inga omständigheter rotera när motorn går på tomgång.

### OBSERVERA!

På en del modeller som säljs i områden med stränga regler för avgasutsläpp kan högt eller lågt varvtal på förgasaren inte ställas in. Sådan justering kan medföra att motorn öppnas utanför gränsen för tillåtna utsläpp. För dessa modeller är inställning av tomgångshastigheten den enda förgasarinställning som kan göras.

För modeller som medger inställning av lågt eller högt varvtal har förgasaren förinställts vid tillverkningen. Genom finjustering kan prestandan optimeras i förhållande till klimat, höjdnivå o.s.v. Vrid dock aldrig justeringsskruvarna mer än 90 grader åt gången, eftersom felinställning kan resultera i motorskada. Rådgör med Maruyamas återförsäljare, om du inte är bekant med denna typ av inställning.



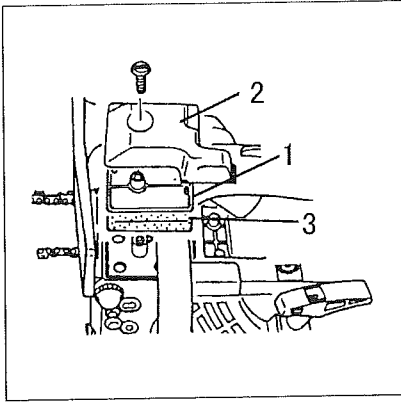


Fig.3-2

**(En) Air filter (Fig. 3-2)**

The air filter (1) and air filter sponge (3) must be cleaned from dust and dirt in order to avoid:

- Carburetor malfunctions.
- Starting problems.
- Engine power reduction.
- Unnecessary wear on the engine parts.
- Abnormal fuel consumption.

Clean the air filter and the sponge daily or more often if working in exceptionally dusty areas.

**Cleaning the air filter**

Remove the air filter cover (2), the filter (1) and the sponge (3).

Rinse them in warm soap suds. Check that the filter and the sponge are dry before reassembly. An air filter that has been used for some time cannot be cleaned completely. Therefore, it must regularly be replaced with a new one. A damaged filter must always be replaced.

**(It) Filtro dell'aria (Fig. 3-2)**

Il filtro dell'aria (1) e la spugna del filtro dell'aria (3) devono essere tenuti puliti da polvere e sporco per evitare:

- Disturbi di funzionamento al carburatore.
- Problemi di messa in moto.
- Perdita di potenza da parte del motore.
- Usura eccessiva del motore.
- Consumi elevati.

Pulire il filtro dell'aria e la spugna almeno una volta al giorno, più spesso se si lavora in zone particolarmente polverose.

**Pulizia del filtro dell'aria**

Togliere il coperchio del filtro dell'aria (2), il filtro (1) e la spugna (3). Lavarli con acqua calda saponata. Prima di rimontarlo, assicurarsi che il filtro e la spugna siano asciutti. Un filtro che è stato usato per un lungo periodo non potrà mai essere pulito completamente. Pertanto deve essere sostituito con regolarità con un altro nuovo. Sostituire sempre immediatamente un filtro danneggiato.

**(Sp) Filtro de aire (Fig. 3-2)**

Limpiar el polvo y la suciedad del filtro de aire (1) y de la esponja del filtro de aire (3) para evitar:

- Perturbaciones en el funcionamiento del carburador.
- Problemas de arranque.
- Pérdidas de potencia.
- Desgaste innecesario de las piezas del motor.
- Consumo de combustible excesivo.

Limpiar el filtro de aire y la esponja diariamente o más a menudo cuando se trabaja en áreas extremadamente sucias.

**Limpeza del filtro de aire**

Desmontar la cubierta del filtro (2), el filtro (1) y la erpanja (3).

Limpiarlos con agua jabonosa caliente. Antes de volver a montar el filtro, comprobar que el filtro y la esponja estén secos. Un filtro de aire que ha prestado largo servicio, nunca podrá quedar completamente limpio, por lo que los filtros deberán sustituirse por otros nuevos a intervalos regulares. Cambie siempre los filtros que estén dañados.

**(Fr) Filtre à air (Fig. 3-2)**

Le filtre à air (1) ainsi que l'éponge du filtre à air (3) doivent être nettoyés régulièrement afin d'éliminer toute trace de poussière ou de saleté afin d'éviter :

- Les troubles de fonctionnement du carburateur
- Les problèmes de démarrage
- Les pertes de puissance
- L'usure prématurée des organes du moteur
- Une consommation anormalement élevée

Nettoyer le filtre à air et l'élément de filtre quotidiennement ou plus fréquemment si vous travaillez sur des sites exceptionnellement poussiéreux.

**Nettoyage du filtre à air**

Démonter le couvercle du filtre à air (2), le filtre (1) et l'élément de filtre (3). Les laver dans de l'eau savonneuse chaude. Vérifier ensuite que le filtre et l'élément de filtre sont bien secs avant de les remonter. Un filtre à air ayant servi longtemps ne peut être parfaitement nettoyé. Par conséquent, il doit être remplacé régulièrement par un filtre neuf. Un filtre endommagé doit toujours être remplacé.

**(Ge) Luftfilter (Fig. 3-2)**

Den Luftfilter (1) und den Schwammeinsatz (3) regelmäßig von Staub und Schmutz befreien zur Vermeidung von:

- Vergaserstörungen.
- Startschwierigkeiten.
- Leistungsminderung.
- Unnötiger Verschleiß der Motorteile.
- Unnormal hoher Kraftstoffverbrauch.

Luftfilter und Schwammeinsatz täglich reinigen, bei schwierigen Verhältnissen öfter.

**Reinigung des Luftfilters**

Den Luftfilterdeckel (2) abnehmen und den Filter (1) sowie den Schwammeinsatz Z (3) herausnehmen. Die Teile in warmer Seifenlauge auswaschen. Bevor der Filter und der Schwammeinsatz wieder montiert werden, müssen die Teile ganz trocken sein. Ein Luftfilter, der eine lange Zeit verwendet wurde, wird nie vollkommen sauber. Der Luftfilter ist daher in regelmäßigen Abständen auszuwechseln. Ein beschädigter Luftfilter ist immer auszuwechseln.

**(Sw) Luftfilter (Fig. 3-2)**

Luftfiltret (1) och luftfiltersvampen (3) måste rengöras från damm och smuts för att undvika:

- Felaktig förgasarfunktion.
- Startsvårigheter.
- Effektsänkning.
- Onödigt slitage av motorn.
- Onormalt hög bränsleförbrukning.

Rengör filtret och svampen dagligen eller oftare om motorsågen används på mycket dammiga arbetsområden.

**Rengöring av luftfilter**

Tag bort luftfiltrets kåpa (2), luftfiltret (1) och svampen (3).

Tvätta dem i varmt såpvatten. Kontrollera att filtret och svampen är torra innan de monteras. Ett använt filter kan inte rengöras helt och hållet. Det bör därför bytas ut med jämna mellanrum. Ett skadat filter måste alltid bytas ut mot ett nytt.

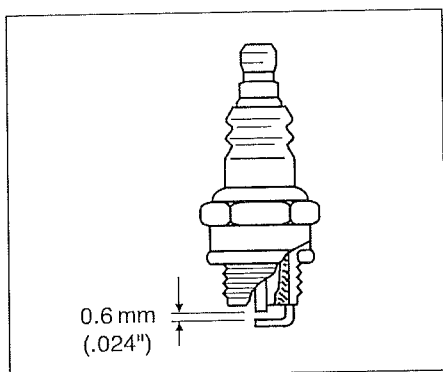


Fig.3-3

**En Spark plug (Fig. 3-3)**

The spark plug condition is influenced by:

- An incorrect carburetor setting.
  - Wrong fuel mixture (too much oil in the gasoline)
  - A dirty air filter.
  - Hard running conditions (such as cold weather).
- These factors cause deposits on the spark plug electrodes, which may result in malfunction and starting difficulties. If the engine is low on power, difficult to start or runs poorly at idling speed, always check the spark plug first. If the spark plug is dirty, clean it and check the electrode gap. Readjust if necessary. The correct gap is 0.6 mm (.024"). The spark plug should be replaced after about 100 operation hours or earlier if the electrodes are badly eroded.

**NOTE!**

In some areas, local law requires using a resistor spark plug to suppress ignition signals. If this machine was originally equipped with resistor spark plug, use same type of spark plug for replacement.

**Fr Bougie (Fig. 3-3)**

L'état de la bougie est influencé par :

- Un mauvais réglage du carburateur
- Un mélange incorrect (trop riche en huile)
- Un filtre à air sale
- Des conditions d'utilisation difficiles (par temps froid par exemple)

Ces facteurs contribuent à la formation de dépôts sur les électrodes de la bougie et peuvent entraîner des troubles de fonctionnement et des difficultés de démarrage. Si la tronçonneuse manque de puissance, si elle démarre mal ou si son ralenti est irrégulier, toujours commencer par vérifier l'état de la bougie. Si la bougie est encrassée, la nettoyer et vérifier l'écartement des électrodes (0,6 mm). La bougie devra être remplacée après une centaine d'heures d'utilisation ou plus tôt si les électrodes sont endommagées.

**REMARQUE !**

Dans certaines régions, la réglementation locale exige l'utilisation d'une bougie équipée d'une résistance d'antiparasitage afin d'éliminer les signaux d'allumage. Si cette machine était équipée à l'origine d'une bougie avec résistance d'antiparasitage, utiliser le même type de bougie lorsque vous la remplacez.

**It Candela (Fig. 3-3)**

Lo stato della candela é influenzato da:

- Un carburatore mal registrato.
- Una miscela di carburante ed olio non corretta (troppo ricca di olio).
- Un filtro dell'aria sporco.
- Condizioni di esercizio difficili (climi freddi).

Questi fattori causano il formarsi di depositi sugli elettrodi della candela, con conseguente difficoltà di messa in moto e avarie. Se il motore é poco brillante, difficile da mettere in moto o non tiene il minimo, controllare sempre prima la candela. Se la candela é sporca, pulirla e controllare la distanza tra gli elettrodi. Rettificare se necessario. La distanza corretta é di 0,6 mm. La candela deve essere sostituita dopo circa 100 ore di funzionamento o prima se gli elettrodi sono molto corrosi.

**NOTA!**

In alcune zone, le leggi locali richiedono l'impiego di una candela resistore per sopprimere i segnali di ignizione. Se questa macchina era originariamente dotata di una candela resistore, usare lo stesso tipo di candela per la sostituzione.

### Ge Zündkerze (Fig. 3-3)

Der Zustand der Zündkerze wird durch folgende Faktoren verschlechtert:

- Falsch eingestellter Vergaser.
- Falsches Kraftstoffgemisch (zu viel Öl).
- Verschmutzter Luftfilter.
- Schwierige Betriebsverhältnisse. (z.B. bei kalter Witterung)

Diese Faktoren verursachen Beläge an den Elektroden der Zündkerze und können somit zu Betriebsstörungen und Startschwierigkeiten führen. Bei geringer Leistung der Motorsäge, wenn der Motor schwer zu starten ist oder wenn er im Leerlauf ungleichmäßig läuft, immer zuerst die Zündkerze prüfen, bevor andere Maßnahmen eingeleitet werden. Ist die Zündkerze verschmutzt, so ist sie zu reinigen. Gleichzeitig ist zu prüfen, ob der Elektrodenabstand 0,6 mm beträgt. Die Zündkerze ist nach ungefähr 100 Betriebsstunden bzw. bei starker Verrußung der Elektroden auszutauschen.

#### HINWEIS!

In manchen Gebieten ist zur Unterdrückung von Zündsignalen die Verwendung einer Zündkerze mit eingebautem Widerstand vorgeschrieben. Sollte die Maschine anfänglich mit einer solchen Zündkerze ausgestattet gewesen sein, müssen auch später stets gleichwertige Ersatzkerzen verwendet werden.

### Sp Bujía (Fig. 3-3)

El estado de la bujía es influenciado por:

- Carburador mal ajustado.
- Mezcla incorrecta de combustible y aceite (exceso de aceite).
- Filtro de aire sucio.
- Condiciones de funcionamiento difíciles. (como clima frío)

Todos estos factores dan lugar a la formación de sedimentos en los electrodos pudiendo causar perturbaciones en el funcionamiento y dificultades de arranque. Si en la cortadora se nota falta de potencia, si los arranques son difíciles y si el ralentí es inestable, controlar siempre primero la bujía antes de adoptar otras medidas. Si la bujía está muy sucia, limpiarla y controlar la separación entre electrodos, que ha de ser de 0,6 mm (0.024 pulg.). La bujía debe cambiarse después de unas 100 horas de funcionamiento o antes si los electrodos están muy gastados.

#### NOTA!

En algunas áreas, los reglamentos locales requieren el uso de una bujía de encendido de resistencia para eliminar seriales de ignición. En el caso de que esta máquina estaba equipada originalmente de la bujía de encendido de resistencia, debe usar algún tipo de bujía de encendido de resistencia como repuesto.

### Sw Tändstift (Fig. 3-3)

Tändstiftet påverkas av:

- Felaktig förgasarjustering.
- Felaktig bränsleblandning (för mycket olja i bensinen).
- Smutsigt luftfilter.
- Svåra arbetsförhållanden (t.ex. kyla).

Dessa faktorer orsakar beläggning på tändstiftets elektroder och kan innebära motorstörningar och startproblem. Om motorn ger låg effekt, är svårstartad eller går ojämnt på tomgång så kontrollera tändstiftet först. Om tändstiftet är smutsigt, rengör och kontrollera elektrodavståndet. Justera om så behövs. Avståndet skall vara 0.6 mm. Tändstiftet skall bytas efter ca 100 timmars körning eller tidigare om elektroderna är kraftigt avbrända.

#### OBSERVERA!

I vissa länder stipulerar lagen användandet av motståndständstift för att undertrycka tändstörningar. I det fall att motorsågen levererats med motståndständstift, skall samma typ av tändstift användas som utbyteständstift.

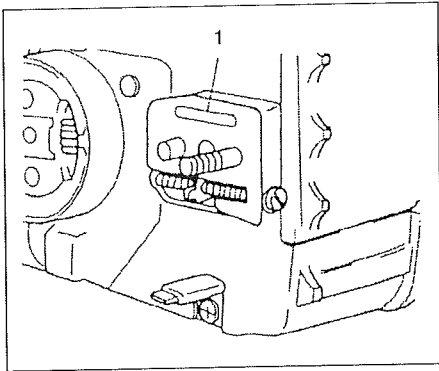


Fig.3-4

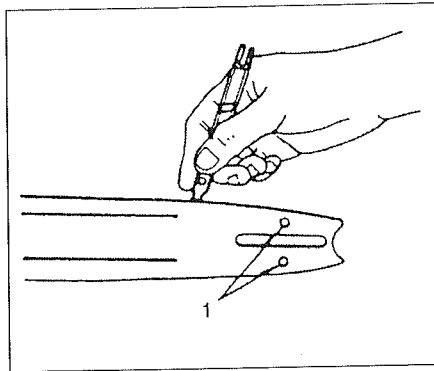


Fig.3-5

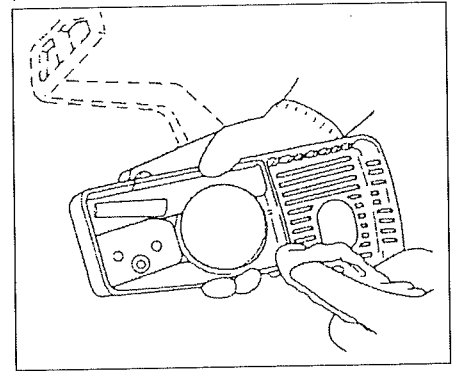


Fig.3-6

**(En) Oiler port (Fig. 3-4)**  
Clean the chain oiler port (1) whenever possible.

**Guide bar (Fig. 3-5)**  
Before using the machine, clean the groove and oiler port (1) in the bar with the special gauge offered as an optional accessory.

**Side case (Fig. 3-6)**  
Always keep the side case and drive area clean of saw dust and debris. Periodically apply oil or grease to this area to protect from corrosion as some trees contain high levels of acid.

**Fuel filter (Fig. 3-7)**  
Remove the fuel filter from the fuel tank and thoroughly wash it in solvent. After that, push the filter into the tank completely.

**NOTE!**  
If the filter is hard due to dust and dirt, replace it.

**(Fr) Orifice de lubrification (Fig. 3-4)**  
Nettoyer l'orifice de lubrification de la chaîne (1) à chaque fois que cela est possible.

**Nettoyage de la rainure et de l'orifice d'alimentation en huile du guide-chaîne (Fig. 3-5)**  
Avant d'utiliser la machine, nettoyer la rainure et l'orifice de lubrification (1) situé dans le guide-chaîne avec la jauge spéciale qui est fournie comme un accessoire en option.

**Nettoyage du carter latéral (Fig. 3-6)**  
Maintenir toujours le carter latéral côté embrayage exempt de sciure ou d'autres débris. Appliquez régulièrement de l'huile ou de la graisse sur cette partie pour la protéger contre la corrosion, certains arbres contenant des concentrations particulièrement élevées en acide.

**Nettoyage du filtre à carburant (Fig.3-7)**  
Retirer le filtre à carburant du réservoir et le laver soigneusement dans un solvant. Ensuite, remettre le filtre en place en le repoussant complètement dans le réservoir.

**REMARQUE !**  
Si le filtre a durci à cause des impuretés contenues dans le carburant, il convient de le remplacer.

**(It) Bocchettone dell'oliatore (Fig. 3-4)**  
Pulire il bocchettone dell'oliatore della catena (1) ogni volta che questo è possibile.

**Barra catena (Fig. 3-5)**  
Prima di usare l'attrezzo, pulire la scanalatura e il bocchettone dell'oliatore (1) della lama con lo speciale utensile disponibile come accessorio opzionale.

**Carter laterale (Fig. 3-6)**  
Tenere sempre il carter laterale e la zona della trasmissione della motosega puliti da polvere e detriti. Cospargere periodicamente questa zona con olio o grasso per proteggerla da corrosione poiché alcuni alberi contengono elevate percentuali di acido.

**Filtro del carburante (Fig. 3-7)**  
Rimuovere il filtro del carburante dal serbatoio del carburante e lavarlo accuratamente con solvente. Quindi, reinserire completamente il filtro nel serbatoio.

**NOTA!**  
Se il filtro si presentasse indurito a causa di polvere e sporco, sostituirlo.

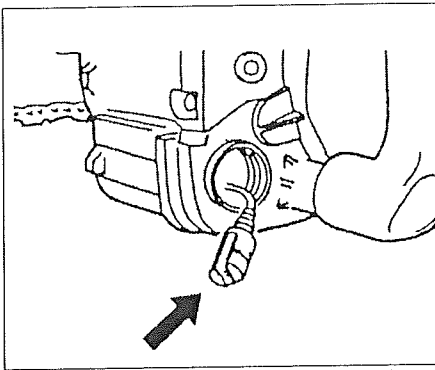


Fig.3-7

**Ge** **Schmierölbohrung (Fig. 3-4)**

Die Schmierölbohrung (1) bei jeder Gelegenheit säubern.

**Schiene (Fig. 3-5)**

Vor jeder Inbetriebnahme die Kettenlaufnut und die Schmierölbohrung (1) mit dem Spezialwerkzeug aus dem Sonderzubehörsatz reinigen.

**Seitengehäuse (Fig. 3-6)**

Das Seitengehäuse und den Bereich um die Antriebsmechanik regelmäßig von Sägemehl und Schmutzteilchen befreien. Diesen Bereich von Zeit zu Zeit mit Öl oder Fett schmieren, um Rostbildung vorzubeugen, da gewisse Baumarten einen relativ hohen Säuregehalt haben.

**Kraftstofffilter (Fig. 3-7)**

Den Kraftstofffilter aus dem Kraftstofftank entfernen und gut mit Lösungsmittel auswaschen. Den Filter danach wieder in den Tank schieben.

**HINWEIS!**

Den Filter bei extremer Verschmutzung und Brüchigkeit durch einen neuen ersetzen.

**Sp** **Boca de la aceitera. (Fig. 3-4)**

Limpiar siempre que fuera posible, la boca de la aceitera de la cadena (1).

**Barra de guía (Fig. 3-5)**

Antes de usar la máquina, deberá limpiarse la ranura y la boca de la aceitera (1) de la barra con un calibre especial como accesorio opcional.

**Caja lateral (Fig. 3-6)**

Mantener siempre limpias la caja lateral y la zona de mando eliminando el aserrín y los residuos. Aplicar periódicamente el aceite o grasa en esta zona para proteger contra la corrosión, pues algunos árboles contienen altos niveles de ácido.

**Filtro de combustible (Fig. 3-7)**

Quitar el filtro de combustible del tanque de combustible y lavar totalmente con solvente. Posteriormente, se volverá a insertar totalmente el filtro en el tanque.

**NOTA !**

Si el filtro estuviera obstruido debido al polvo y la suciedad, deberá reemplazarse.

**Sw** **Smörjöppning (Fig. 3-4)**

Rengör smörjöppningen (1) så ofta som möjligt.

**Svärd (Fig. 3-5)**

Före användning av motorsågen skall du rengöra spåret och smörjöppningen (1) i svärdet med ett specialverktyg som kan köpas som extra tillbehör.

**Sidokåpa (Fig. 3-6)**

Se alltid till att sidokåpan och området runt drivningen är rena från sågspån och andra rester. Olja eller fetta in dessa områden regelbundet för att förhindra korrosion, därför att vissa typer av träd innehåller höga syrahalter.

**Bränslefilter (Fig. 3-7)**

Tag ut bränslefiltret ur bränsletanken och rengör det ordentligt i lösningsmedel. Skjut därefter in bränslefiltret helt och hållet i bränsletanken igen.

**OBSERVERA!**

Om filtret är förhårdnat på grund av damm och smuts, skall det bytas ut.

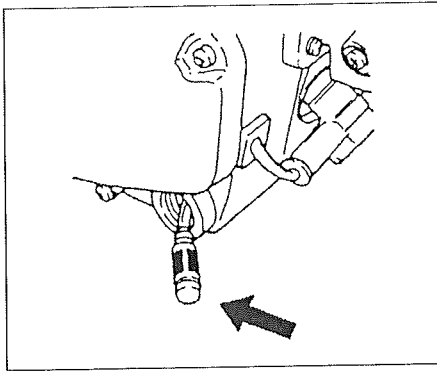


Fig.3-8

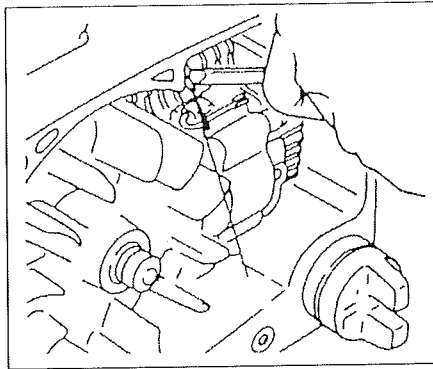


Fig.3-9

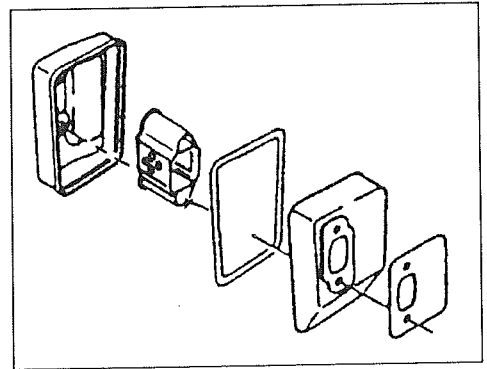


Fig.3-10

**(En) Chain oil filter (Fig. 3-8)**

Remove the oil filter and thoroughly wash it in solvent

**Cleaning the cylinder fins (Fig. 3-9)**

When wood chips are caught between cylinder fins (1), the engine may overheat, resulting in lower output. To avoid this, always keep cylinder fins and fan case clean.

Every 100 Operating hours, or once a year (more often if conditions require), clean fins and external surfaces of engine of dust, dirt and oil deposits which can contribute to improper cooling.

**Cleaning the muffler (Fig. 3-10)**

Remove the muffler and spark arrestor (if so equipped), and clean out any excess carbon from the exhaust port or muffler inlet every 100 hours of operation.

**For long-term storage**

Drain all fuel from the fuel tank. Start and let engine run until it stops. Repair any damage which has resulted from use. Clean the unit with a clean rag, or the use of high pressure air hose. Put a few drops of two-cycle engine oil into the cylinder through the spark plug hole, and spin the engine over several times to distribute oil. Cover the unit and store it in a dry area.

**(Fr) Nettoyage du filtre à huile de chaîne (Fig. 3-8)**

Retirer le filtre à huile et le laver soigneusement dans un solvant.

**Nettoyage des ailettes du cylindre (Fig. 3-9)**

Si des copeaux de bois, sont coincés entre les ailettes du cylindre (1), le moteur risque de surchauffer, diminuant ainsi le rendement. Afin d'éviter une telle éventualité, maintenir en permanence les ailettes du cylindre et le carter du ventilateur dans un bon état de propreté. Après cent heures d'opération, ou une fois par an (plus fréquemment si requis par les conditions d'utilisation), nettoyer les ailettes et la surface extérieure du moteur afin d'enlever la poussière, les saletés et les dépôts d'huile qui risqueraient d'empêcher un refroidissement adéquat du moteur.

**Nettoyage du silencieux (Fig. 3-10)**

Démonter le silencieux et le pare-étincelles (si la machine est équipée d'un tel dispositif) et nettoyer régulièrement les résidus de carbone déposés au niveau de l'orifice d'échappement et de l'entrée du silencieux toutes les 100 heures d'utilisation.

**Lors d'un stockage prolongé:**

Vider le réservoir de carburant. Mettre en marche le moteur et le laisser tourner jusqu'à ce qu'il s'arrête de lui-même. Effectuer toutes les réparations concernant les pièces endommagées pendant l'utilisation. Nettoyer la machine en utilisant un chiffon propre ou à l'aide d'un jet d'air comprimé.

Introduire quelques gouttes d'huile pour moteur à deux temps par le trou de la bougie d'allumage et actionner plusieurs fois le moteur pour bien distribuer l'huile. Recouvrir la machine et la ranger dans un endroit à l'abri de l'humidité.

**(It) Filtro dell'olio della catena (Fig. 3-8)**

Rimuovere il filtro dell'olio e lavarlo accuratamente con solvente.

**Pulizia delle alette del cilindro (Fig. 3-9)**

Quando frammenti di legno si infilano fra le alette del cilindro (1), il motore è soggetto a surriscaldamento e conseguenti cali di potenza. Per evitare ciò, tenere sempre puliti le alette del cilindro e il carter della ventola. Ogni 100 ore di impiego, oppure una volta all'anno (più frequentemente se le condizioni lo richiedono), pulire le alette e le superfici esterne del motore eliminando polvere, sporco e depositi di olio, che possono contribuire a causare un raffreddamento non appropriato.

**Pulizia del silenziatore (Fig. 3-10)**

Staccare la marmitta e il parascintille (se presente) ed eliminare tutti i residui carboniosi dalla luce di scarico o dall'apertura di entrata della marmitta ogni 100 ore di impiego.

**Deposito prolungato**

Svuotare completamente il serbatoio del carburante. Avviare il motore e lasciarlo girare fino a quando non si ferma per mancanza di carburante. Riparare eventuali danni che si fossero verificati durante l'uso. Pulire l'attrezzo con uno straccio pulito, o con un getto di aria compressa. Versare alcune gocce di olio per motore a due tempi nel cilindro attraverso il foro della candela, facendo girare il motore alcune volte per distribuire uniformemente l'olio. Coprire l'attrezzo e riporlo in un luogo asciutto.

**Ge Kettenölfilter (Fig. 3-8)**  
Den Kettenölfilter entfernen und gut mit Lösungsmittel auswaschen.

**Reinigen der Zylinderrippen (Fig. 3-9)**  
Wenn sich Holzspäne u. dgl. zwischen den Rippen des Zylinders (1) festsetzen, leidet die Kühlwirkung, was Leistungseinbußen zur Folge hat. Die Rippen und das Lüftergehäuse sollten daher stets sauber gehalten.  
Alle 100 Betriebsstunden oder einmal jährlich (bei extremen Einsatzbedingungen in entsprechend kürzeren Intervallen) die Rippen und Außenflächen des Motors von Staub, Schmutz und Ölablagerungen befreien, welche die Kühlwirkung beeinträchtigen.

**Reinigen des Schalldämpfers (Fig. 3-10)**  
Den Schalldämpfer alle und Funkenfänger (falls vorhanden) 100 Betriebsstunden abnehmen und Rußablagerungen im Auslaßstutzen oder Schalldämpfereinlaß entfernen.

**Längerfristige Lagerung**  
Den Kraftstoff vollständig aus dem Tank ablassen. Den Motor starten und laufen lassen, bis er von selbst stoppt. Eventuelle beim Gebrauch entstandene Schäden instandsetzen. Das Werkzeug mit einem sauberen Lappen oder Druckluft gründlich reinigen. Einige Tropfen Zweitaktmotoröl durch die Zündkerzenbohrung in den Zylinder geben und den Motor einige Male drehen lassen, damit sich das Öl gut verteilt. Das Gerät abdecken und an einem trockenen Ort lagern.

**Sp Filtro del aceite de la cadena (Fig. 3-8)**  
Desmontar el filtro de aceite y lavar totalmente con solvente.

**Limpieza de las aletas del cilindro (Fig. 3-9)**  
Limpieza de las aletas del cilindro (Fig. 3-9) El motor puede recalentarse y perder la potencia cuando queden atrapadas las astillas de madera entre las aletas del cilindro (1). Para evitar este problema, deben mantenerse las aletas del cilindro y la caja del ventilador siempre limpias. Cada 100 horas de operación, o una vez al año (o con más frecuencia cuando sea necesario), limpiar aletas y la superficie exterior del motor, eliminando sedimentos de polvos, suciedad y aceite que causen el enfriamiento inadecuado.

**Limpieza del silenciador (Fig. 3-10)**  
Desmontar el silenciador y parachispas (si lo tiene equipado), y limpiar cualquier exceso de carbón de la boca de escape o entrada del silenciador cada 100 horas de operación.

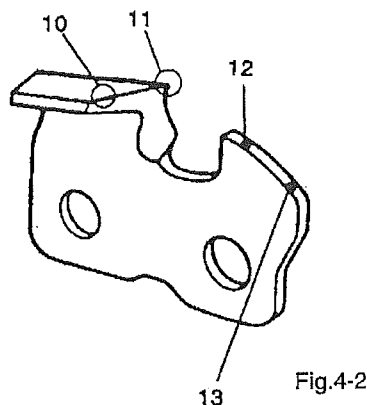
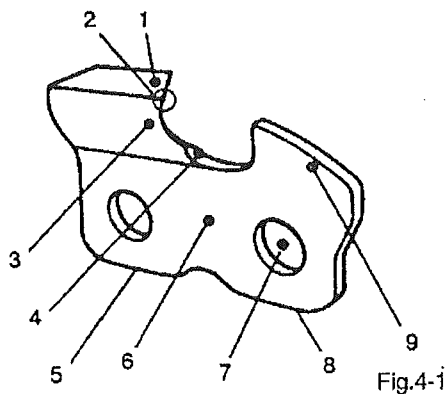
Para el almacenamiento durante largos períodos  
Drenar totalmente el contenido del tanque de combustible. Arrancar el motor y dejarlo en funcionamiento hasta que se pare. Reparar cualquier daño que haya sufrido por el uso. Limpiar la unidad con trapo limpio o sopletear con la manguera de aire de alta presión. Aplicar algunas gotas de aceite de motor para motocicletas dentro del cilindro a través del orificio de la bujía de encendido y girar el motor varias veces para que se distribuya el aceite. Cubrir la unidad y almacenar en un lugar seco.

**Sw Filter för kedjans olja (Fig. 3-8)**  
Tag ut oljefiltret och rengör det ordentligt i lösningsmedel.

**Rengöring av cylinderflänsarna (Fig. 3-9)**  
När träflisor fastnar mellan cylinderflänsarna (1) kan motorn bli överhettad, vilket minskar motoreffekten. Håll alltid cylinderflänsarna och fläkthuset rena för att undvika detta. Efter varje 100 timmars användning, eller en gång om året (oftare om nödvändigt), skall du avlägsna damm, smuts och olja från flänsarna och motorns yttre ytor, för att undvika försämrad kylning.

**Rengöring av ljuddämparen (Fig. 3-10)**  
Tag bort ljuddämparen och gnistfångaren, (om denna eventuellt är monterad), och rensa sedan bort kol som sitter i avgaskanalen eller ljuddämparingången var 100 timmars användning.

**Långtidsförvaring**  
Tappa ur allt bränsle från bränsletanken. Starta motorn och låt den gå tills den stannar. Reparera samtliga skador som har uppstått under arbetets gång. Rengör motorsågen med en ren trasa eller blås den ren med tryckluft. Droppa några droppar tvåtaktsmotorolja i cylindern genom tändstiftshålet och dra runt motorn några gånger så att oljan sprids. Täck över motorsågen och förvara den på en torr plats.



**(En) CHAIN SHARPENING**  
Parts of a cutter. (Fig. 4-1, 2)

**⚠ WARNING!**  
Gloves should be used when sharpening chain.

**⚠ WARNING!**  
Be sure to round off the front edge to reduce the chance of kickback or tie-strap breakage.  
• The following faults will also increase the risk of kickback considerably:  
- file angle too large  
- cutting angle too small  
- file diameter too small

1. Top plate
2. Working corner
3. Side plate
4. Gullet
5. Heel
6. Chassis
7. Rivet hole
8. Toe
9. Depth gauge
10. Correct angle on top plate (degree of angle depends on chain type)
11. Slightly protruding "hook" or point (curve on non-chisel chain)
12. Top of depth gauge at correct height below top plate
13. Front of depth gauge rounded off

**(It) AFFILATURA DELLA CATENA**  
Parti di una lama (Fig. 4-1, 2)

**⚠ ATTENZIONE!**  
Indossate dei guanti durante l'affilamento della catena.

**⚠ ATTENZIONE!**  
Arrotondate il bordo anteriore per ridurre le probabilità di contraccolpo e di rottura delle maglie di giunzione.  
• I seguenti difetti aumentano considerevolmente il rischio di rimbalzo:  
- angolo di affilatura troppo ampio  
- angolo di taglio troppo piccolo  
- diametro di affilatura troppo piccolo

1. Piastra superiore
2. Angolo di lavoro
3. Piastra laterale
4. Gola
5. Tacco
6. Ossatura
7. Foro per chiodo
8. Punta
9. Calibro di profondità
10. Angolo corretto sulla piastra superiore (i gradi dell'angolo dipendono dal tipo di catena)
11. "Gancio" o punta leggermente sporgente (curva su catene non a scalpello)
12. Parte superiore del calibro di profondità all'altezza corretta sotto la piastra superiore
13. Parte anteriore del calibro di profondità arrotondata

**(Sp) AFILADO DE LA CADENA**  
Parte de la cuchilla (Fig. 4-1, 2)

**⚠ ATENCIÓN!**  
Utilice guantes protectores cuando afile la cadena.

**⚠ ATENCIÓN!**  
Asegúrese de redondear el borde delantero con la finalidad de reducir el riesgo de contragolpe o atascamiento de la cadena.  
• Los defectos siguientes aumentarán también el riesgo de comisión confidencial considerablemente:  
- el ángulo del archivo demasiado grande  
- cortando el ángulo demasiado pequeño  
- archiva el diámetro demasiado pequeño

1. Placa superior
2. Canto de trabajo
3. Placa lateral
4. Garganta
5. Talón
6. Chasis
7. Orificio de remache
8. Reborde
9. Calibre de profundidad
10. Ngulo correcto de ^apla superior (el ángulo depende del tipo de cadena)
11. "Gancho" o punto ligeramente protuberante (curva de la cadena no biselada)
12. Tope del calibre de profundidad a la altura correcta debajo de la placa superior
13. Frente del calibre de profundidad redondeado

**(Fr) Affûtage de la chaîne**  
Les différentes parties d'un maillon-gouge (Fig. 4-1, 2)

**⚠ ATTENTION!**  
Vous devez toujours porter des gants de protection lorsque vous affûter la chaîne.

**⚠ ATTENTION!**  
Arrondir le bord d'attaque des dents pour réduire le risque de rebond ou de rupture des maillons.  
• Les défauts suivants augmenteront aussi le risque de dessous-de-table considérablement :  
- le dossier incline trop grand  
- la coupe incline trop petit  
- classer le diamètre trop petit

1. Platine supérieure
2. Gouge
3. Platine latérale
4. Goulet
5. Semelle arrière
6. Châssis
7. Trou de rivet
8. Semelle avant
9. Limiteur de profondeur
10. Angle correct de la platine supérieure (le degré de l'angle dépend du type de chaîne)
11. "Coin" légèrement saillant (courbe sur les chaînes sans maillon-gouge)
12. Partie supérieure du limiteur de profondeur (sa hauteur correcte doit être inférieure à celle de la semelle supérieure)
13. Partie frontale arrondie du limiteur de profondeur

**(Ge) SCHÄRFEN DER KETTE**  
Schneidzähnteile (Fig. 4-1, 2)

**⚠ WARNUNG!**  
Verwenden Sie Handschuhe beim Kettenschärfen.

**⚠ WARNUNG!**  
Darauf achten, dass die vorderen Kanten abgerundet werden, um das Risiko eines Rückstoßes oder eines Zerreißen der Haltebänder zu reduzieren.  
• Die folgenden Fehler erhöhen das Risiko für ein Zurückschlagen der Säge wesentlich:  
- Feilwinkel zu groß  
- Schneidwinkel zu klein  
- Feilendurchmesser zu klein

1. Kopfplatte
2. Anschneidecke
3. Seitenplatte
4. Kehle
5. Ferse
6. Grundplatte
7. Nietbohrung
8. Zehe
9. Tiefenlehre
10. Korrekter Winkel an der Kopfplatte (je nach Kettenyp unterschiedlich)
11. Leicht hervorstehender "Haken" bzw. Spitze (bei anderen Typen u. U. abgerundet)
12. Korrekter Höhenunterschied zwischen Kopfplatte und oberstem Punkt der Tiefenlehre
13. Abgerundetes Stirnende der Tiefenlehre

**(Sw) SKÄRPNING AV KEDJAN**  
Motorsågsdelar (Fig. 4-1, 2)

**⚠ WARNING!**  
Använd skyddshandskar när kedjan ska slipas.

**⚠ WARNING!**  
Runda framkanten för att minska risken för kast och sidolänksbristning.  
• Följande fel ökar risken för kickback avsevärt:  
- För stor fillningsvinkel  
- För liten eggvinkel.  
- För liten fildiameter.

1. Skovelplan
2. Skärhorn
3. Sidoplan
4. Gap
5. Bakre bäryta
6. Skärtand
7. Nithål
8. Främre bäryta
9. Underställningsklack
10. Korrekt vinkel för skovelplanet (gradantalet beror på typen av kedja)
11. Något utstickande "hake" eller punkt (kurva på kedjetyp utan mejselskär)
12. Toppen av rytaren på korrekt höjd under skovelplanet
13. Framändan av underställningsklacken avrundad



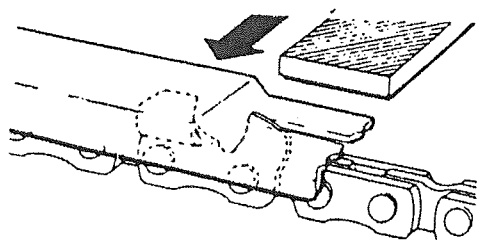


Fig.4-3

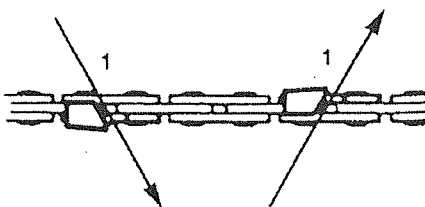
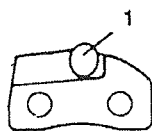


Fig.4-5

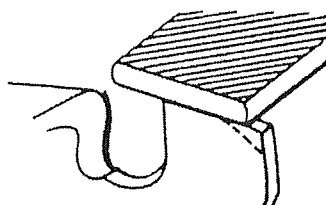


Fig.4-4

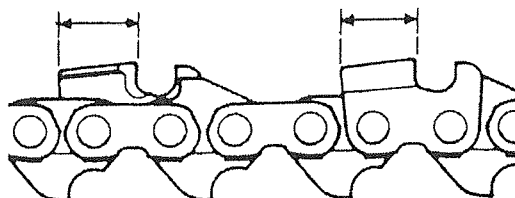


Fig.4-6

**(En) LOWERING DEPTH GAUGES WITH A FILE**

- 1) If you sharpen your cutters with a file holder, check and lower the depth.
- 2) Check depth gauges every third sharpening.
- 3) Place depth gauge tool on cutter. If depth gauge projects, file it level with the top of the tool. Always file from the inside of the chain toward an outside cutter. (Fig. 4-3)
- 4) Round off front corner to maintain original shape of depth gauge after using depth gauge tool. Always follow the recommended depth gauge setting found in the maintenance or operator manual for your saw. (Fig. 4-4)

**GENERAL INSTRUCTIONS FOR FILING CUTTERS**

File (1) cutter on one side of the chain from the inside out.

File on forward stroke only. (Fig. 4-5)

- 5) Keep all cutters the same length. (Fig. 4-6)

**(Fr) DIMINUER LA HAUTEUR DES LIMITEURS DE PROFONDEUR AVEC UNE LIME**

- 1) Si vous aiguisiez les maillons-gouge avec une lime, vérifiez la hauteur des limiteurs de profondeur et diminuez la si nécessaire.
- 2) Vérifiez la hauteur des limiteurs de profondeur tous les trois affûtages.
- 3) Placer la jauge de contrôle sur le maillon-gouge. Si le limiteur de profondeur dépasse de la jauge, la mettre à niveau par rapport à la partie supérieure de la jauge de contrôle. Toujours limer de l'intérieur de la chaîne vers un maillon-gouge extérieur (Fig. 4-3).
- 4) Arrondir l'angle avant du limiteur de profondeur afin de conserver la forme initiale du limiteur après usage de la jauge de contrôle. Respectez toujours les valeurs recommandées pour le limiteur de profondeur et indiquées dans le manuel d'entretien ou d'utilisation de votre tronçonneuse (Fig. 4-4).

**INSTRUCTIONS GENERALES POUR L'AFFUTAGE DES MAILLONS-GOUGE**

Limer (1) le maillon-gouge d'un côté de la chaîne, de l'intérieur vers l'extérieur.

Limer seulement avec des mouvements vers l'avant. (Fig. 4-5)

- 5) Conserver à tous les maillons-gouge la même longueur. (Fig. 4-6)

**(It) ABBASSAMENTO DEI CALIBRI DI PROFONDITÀ CON UNA LIMA**

- 1) Se si affilano le lame con una lima, controllare e abbassare la profondità.
- 2) Controllare i calibri di profondità ad ogni terza affilatura.
- 3) Collocare il calibro di profondità sulla lama. Se il calibro di profondità sporge, limare a livello con la parte superiore dell'utensile. Limare sempre dall'interno della catena verso l'esterno. (Fig. 4-3)
- 4) Arrotondare l'angolo anteriore per conservare la forma originale del calibro di profondità dopo aver usato l'utensile. Seguire sempre l'impostazione per il calibro di profondità consigliata indicata nel manuale di manutenzione o nel manuale per l'operatore della motosega. (Fig. 4-4)

**ISTRUZIONI DI CARATTERE GENERALE PER LA LIMATURA DELLE LAME**

Limare la lama (1) su un lato della catena dall'interno verso l'esterno. Limare soltanto con colpi in avanti. (Fig. 4-5)

- 5) Tenere tutte le lame della stessa lunghezza. (Fig. 4-6)

**Ge KORRIGIEREN DER TIEFENBEGRENZER MIT EINER FEILE**

- 1) Wenn die Schneidzähne mit einem Feilenhalter geschärft werden, die Höhe der Tiefenbegrenzer kontrollieren und evtl. korrigieren.
- 2) Die Tiefenbegrenzer bei jedem dritten Schärfen der Kette überprüfen.
- 3) Das Tiefenlehrenwerkzeug auf die Schneidzähne legen. Sollten die Tiefenlehren aus dem Werkzeug herausragen, den überstehenden Teil wegfeilen. Dabei von Kettenmitte in Richtung des nach außen versetzten Schneidzahnes feilen. (Fig. 4-3)
- 4) Nach Entfernen des Tiefenlehrenwerkzeugs die Stirnflächen der Tiefenlehren zur ursprünglichen Form abrunden. Dabei die Empfehlungen für den Tiefenlehrenabstand in der Wartungs- bzw. Betriebsanleitung der Säge befolgen. (Fig. 4-4)

**ALLGEMEINE ANWEISUNG ZUR BEARBEITUNG DER SCHNEIDKANTEN**

Die Schneidzähne von der anderen Kettenseite her von innen nach außen mit der Feile (1) bearbeiten. Dabei nur mit Vorwärtsbewegungen feilen. (Fig. 4-5)

- 5) Darauf achten, daß alle Schneidzähne dieselbe Länge haben. (Fig. 4-6)

**Sp REBAJANDO LOS CALIBRES DE PROFUNDIDAD CON LA LIMA**

- 1) Para afilar las cuchillas con la lima, debe verificarse y rebajar la profundidad.
- 2) Verificar los calibres de profundidad en cada tercer afilado.
- 3) Colocar la herramienta del calibre de profundidad en la cuchilla. En el caso de sobresalir el calibre de profundidad, limar su nivel con la parte superior de la herramienta.  
Limar siempre desde el interior de la cadena hacia el exterior de la cuchilla. (Fig. 4-3)
- 4) Redondear la esquina frontal para mantener la forma original del calibre de profundidad después de usar la herramienta del calibre de profundidad. Respetar siempre el ajuste recomendado del calibre de profundidad, según el manual de mantenimiento o manual del operador de la sierra. (Fig. 4-4)

**INSTRUCCIONES GENERALES PARA EL LIMADO DE LAS CUCHILLAS**

Limar (1) la cuchilla en un lado de la cadena desde adentro hacia afuera. Limar sólo durante el desplazamiento hacia adelante. (Fig. 4-5)

- 5) Mantener la misma longitud en todas las cuchillas. (Fig. 4-6)

**Sw FILNING AV UNDERSTÄLLNINGSKLACKAR**

- 1) Om du skärper skärtanden med en fil, skall du kontrollera dimensionen på filen.
- 2) Kontrollera underställningsklacken efter var tredje skärpning.
- 3) Placera djupmålsverktyget på tanden. Om underställningsmallen sticker ut, skall den filas tills den är i plan med verktygets topp. Fila alltid från kedjans insida mot en utvändigtand. (Fig. 4-3)
- 4) Runda av det främre hörnet för att bibehålla underställningsklackens ursprungliga form när underställningsmallen har använts. Följ alltid den rekommenderade inställningen för underställningsklackens höjd som finns i underhållshandboken eller bruksanvisningen för din motorsåg. (Fig. 4-4)

**ALLMÄNNA ANVISNINGAR FÖR FILNING AV SGTÄNDER**

Fila (1) tanden på ena sidan av kedjan från insidan och utåt. Fila endast med framåtgående drag. (Fig. 4-5)

- 5) Håll samma längd för samtliga skärtänder. (Fig. 4-6)

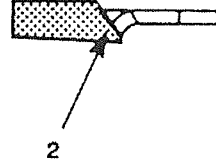
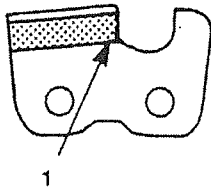


Fig.4-7


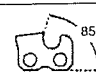
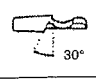
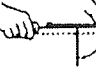
1. Part Number	91VG
2. Pitch	3 / 8"
 3. Depth Gauge Setting	0.025"
 4. Side Plate Filing Angle	85°
 5. Top Plate Angle	30°
 6. File Guide Angle	90°

Fig.4-7B

(En) 6) File enough to remove any damage to cutting edges (side plate (1) and top plate (2)) of cutter. (Fig. 4-7)

SHARPENING ANGLES FOR SHARPENING SAW CHAIN (Fig. 4-7B)

(It) 6) Limare sufficientemente per eliminare eventuali danni agli spigoli taglienti (piastra laterale (1) e piastra superiore (2)) della lama. (Fig. 4-7)

ANGOLI DI AFFILATURA PER L'AFFILATURA DELLA CATENA DELLA SEGA (Fig. 4-7B)

1. Numero del pezzo
2. Passo
3. Impostazione del calibro di profondità
4. Angolo di limatura della piastra laterale
5. Angolo della piastra superiore
6. Angolo di guida per la lima

(Sp) 6) Limar suficientemente para eliminar cualquier daño del filo de corte (placa lateral (1) y placa superior (2)) de la cuchilla. (Fig. 4-7)

GULO DEL AFILADO DE LA CADENA DE LA SIERRA (Fig. 4-7B)

1. Número de parte
2. Paso
3. Ajuste del calibre de profundidad
4. Ángulo de limado de la placa lateral
5. Ngulo de la placa superior
6. Ngulo de la guía de la lima

(Fr) 6) Limer suffisamment pour éliminer tous les dégâts survenus au tranchant des lames (platine supérieure (1) et platine latérale (2)) du maillon-gouge. (Fig. 4-7)

ANGLES D'AFFÛTAGE RECOMMANDÉS (Fig. 4-7B)

1. Numéro de référence de la pièce
2. Pas
3. Réglage du limiteur de profondeur
4. Angle d'affûtage de la platine latérale
5. Angle d'affûtage de la platine supérieure
6. Angle du guide d'affûtage

(Ge) 6) Die Schneidkanten (Seitenplatte (1) und Kopfplatte (2)) der Schneidzähne so weit bearbeiten, daß vorhandene Beschädigungen beseitigt werden. (Fig. 4-7)

BEARBEITUNGSWINKEL BEIM SCHÄRFEN DER KETTE (Fig. 4-7B)

1. Teilnummer
2. Teilung
3. Tiefenlehrenabstand
4. Seitenplatten-Bearbeitungswinkel
5. Kopfplatten-Bearbeitungswinkel
6. Feilenführungswinkel

(Sw) 6) Fila tillräckligt mycket för att ta bort alla skador på skärtandens kanter (sidoplatta (1) och topplatta (2)). (Fig. 4-7)

FILVINKLAR VID SKÄRPNING AV SGKEDJA (Fig. 4-7B)

1. Delens nummer
2. Delning
3. Underställningsklackens höjd
4. Eggvinkel
5. Filvinkel
6. Filstyrningsvinkel ( filläge )

## **(En)** Maintenance schedule

Below you will find some general maintenance instructions. For further information please contact your service dealer.

### **Daily maintenance**

- Clean the exterior of the unit.
- Clean the chain oil filter port.
- Clean the groove and oil filter port in the guide bar.
- Clean the side case of saw dust.
- Check that the saw chain is sharp.
- Check that the bar nuts are sufficiently tightened.
- Make sure that the chain transport guard is undamaged and that it can be securely fitted.
- Check that nuts and screws are sufficiently tightened.

### **Weekly maintenance**

- Check the starter, especially cord and return spring.
- Clean the exterior of the spark plug.
- Remove the spark plug and check the electrode gap. Adjust it to 0.6 mm (.024) or change the spark plug.
- Clean the cooling fins on the cylinder and check that the air intake at the starter is not clogged.
- Clean the air filter.

### **Monthly maintenance**

- Rinse the fuel tank with gasoline, and clean fuel filter.
- Clean chain oil filter.
- Clean the exterior of the carburetor and the space around it.
- Clean the fan and the space around it.
- Clean the muffler of carbon.

## **(Fr)** Entretien

Vous trouverez ci-dessous quelques conseils d'ordre général pour l'entretien de votre tronçonneuse.

Pour toutes informations complémentaires n'hésitez pas à contacter votre agent agréé.

### **Entretien quotidien**

- Nettoyer l'extérieur de la machine
- Nettoyer l'orifice d'alimentation d'huile pour la chaîne côté carter moteur
- Nettoyer la rainure et l'orifice d'alimentation en huile pour la chaîne sur le guide-chaîne
- Éliminer toutes traces de déchets déposées dans le carter latéral de protection côté embrayage
- Vérifier que la chaîne de la scie est bien aiguisée.
- Vérifier que les écrous du guide-chaîne sont suffisamment serrés.
- S'assurer que le protecteur de transport pour la chaîne de coupe n'est pas endommagé et qu'il peut être installé rapidement et fixé solidement.
- Vérifier le serrage de tous les écrous et vis, surtout les écrous fixant le filtre à air.

### **Entretien hebdomadaire**

- Contrôler le lanceur, sa corde et son ressort de rappel.
- Nettoyer extérieurement la bougie.
- Démontez la bougie d'allumage et contrôlez l'écartement des électrodes, qui doit être de 0,6 mm. La remplacer le cas échéant.
- Nettoyer les ailettes de refroidissement du cylindre et vérifier que la prise d'air située au niveau du carter de lanceur n'est pas obstruée.
- Nettoyer le filtre à air.

### **Entretien mensuel**

- Rincer le réservoir de carburant avec de l'essence et nettoyer le filtre du carburant.
- Nettoyer le filtre à huile de lubrification de la chaîne de coupe.
- Nettoyer extérieurement le carburateur et son logement.
- Nettoyer le volant magnétique (turbine) et son logement.
- Nettoyer le silencieux d'échappement afin d'éliminer toute trace de calamine.

## **(It)** Schema di manutenzione

Seguono alcune istruzioni di manutenzione generale. Per ulteriori informazioni contattare il proprio rivenditore.

### **Manutenzione giornaliera**

- Pulire la macchina esternamente.
- Pulire il bocchettone del filtro dell'olio della catena.
- Pulire la scanalatura e il bocchettone del filtro dell'olio della barra catena.
- Eliminare la segatura dal carter laterale.
- Controllare che la catena della motosega sia affilata.
- Controllare che i dadi della lama siano ben serrati.
- Accertarsi che la protezione di trasporto della catena non sia danneggiata e che sia fissata saldamente.
- Controllare che dadi e viti siano ben serrati.

### **Manutenzione settimanale**

- Controllare il dispositivo di avviamento, in particolare il filo e la molla di ritorno.
- Controllare l'esterno della candela.
- Rimuovere la candela e controllare la distanza tra gli elettrodi. Regolare su 0,6 mm o sostituire la candela.
- Pulire le alette di raffreddamento sul cilindro e controllare che il collettore di aspirazione dell'aria sulla messa in moto non sia intasato.
- Pulire il filtro dell'aria.

### **Manutenzione mensile**

- Lavare con benzina il serbatoio del carburante e pulire il filtro del carburante.
- Pulire il filtro dell'olio della catena.
- Pulire l'esterno del carburatore e l'area circostante.
- Pulire la ventola e l'area circostante.
- Pulire il silenziatore dai depositi di carbonio.

### Ge Wartungsschema

Nachstehend folgen einige allgemeine Wartungsanweisungen. Für weitere Auskünfte eine Fachwerkstatt aufsuchen.

#### Tägliche Wartung

- Die Außenseite des Gerätes reinigen.
- Den Schmierölkanal säubern.
- Die Kettenlaufnut und die Schmierölbohrung in der Schiene säubern.
- Das Seitengehäuse von Sägemehl befreien.
- Die Kette gut geschärft halten.
- Den Festsitz der Schienenmutter kontrollieren.
- Sicherstellen, daß die Kettenabdeckung unbeschädigt ist und bei Anbringung fest sitzt.
- Kontrolle, ob Muttern und Schrauben fest angezogen sind.

#### Wöchentliche Wartung

- Die Startvorrichtung, das Seil und die Rückholfeder überprüfen.
- Die Zündkerze äußerlich reinigen.
- Die Zündkerze heraus-schrauben und den Elektrodenabstand kontrollieren. Den Abstand auf 0,6 mm einstellen oder eine neue Zündkerze einschrauben.
- Die Kühlrippen des Zylinders reinigen und den Lufteintritt an der Startvorrichtung auf Verstopfung kontrollieren.
- Luftfilter reinigen,

#### Monatliche Wartung

- Den Kraftstofftank mit Benzin spülen und den Kraftstofffilter reinigen.
- Den Kettenölfilter reinigen.
- Den Vergaser und seine Umgebung äußerlich reinigen.
- Den Lüfter und seine Umgebung reinigen.
- Den Schalldämpfer von Rußablagerungen befreien.

### Sp Esquema de mantenimiento

Siguen a continuación algunas instrucciones generales de mantenimiento. Si desea más información, acuda al taller de servicio.

#### Cuidados diarios

- Limpie la unidad por fuera.
- Limpiar la boca del filtro de aceite de la cadena.
- Limpiar la ranura y la boca del filtro de aceite de la barra de guía.
- Limpiar el aserrín de la caja lateral.
- Comprobar que la cadena de la sierra está filosa.
- Comprobar que lastuerzas de la barra están apretadas suficientemente.
- Comprobar que no esté dañada la protección de transporte de la cadena y pueda ser firmemente fijada.
- Compruebe que las tuercas y tornillos están apretados.

#### Cuidados semanales

- Compruebe el aparato de arranque en especial, la cuerda y el muelle de recuperación.
- Limpie la bujía por fuera.
- Desmónte la bujía y compruebe la distancia entre electrodos que ha de ser de 0,6 mm (0,024 pulgadas), o cambie la bujía.
- Limpie las aletas de refrigeración del cilindro y compruebe que no se ha obstruido la admisión de aire.
- Limpie el filtro de aire.

#### Cuidados mensuales

- Lavar el tanque de combustible con gasolina y limpiar el filtro de combustible.
- Limpiar el filtro de aceite de la cadena.
- Limpie el carburador por fuera y los alrededores del mismo.
- Limpie el ventilador y sus alrededores.
- Limpiar el carbón del silenciador.

### Sw Underhållsschema

Nedan följer några allmänna underhållsrekommendationer. För ytterligare information, kontakta Din Serviceverkstad.

#### Daglig tillsyn

- Rengör motorsågen utvändigt.
- Rengör oljehålsöppningen för kedjans olja.
- Rengör spåret och oljehålsöppningen i svärdet.
- Rengör sidokåpan från sågspån.
- Kontrollera att sågkedjan är vass.
- Kontrollera att svärdet är ordentligt åtdraget.
- Kontrollera så att kedjans transportskydd är oskadat och att det sitter ordentligt.
- Kontrollera att skruvar och muttrar är åtdragna.






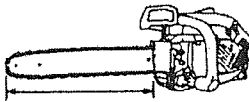
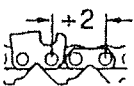
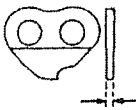


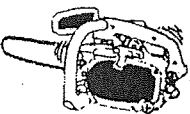
#### Veckotillsyn

- Kontrollera startapparaten, speciellt startsnöre och retur fjäder.
- Rengör tändstiftet utvändigt.
- Demontera tändstiftet och kontrollera elektrodavståndet. Justera det till 0,6 mm eller byt tändstift.
- Rengör kylflänsarna på cylindern och kontrollera att luftintagen vid startapparaten inte är igensatta.
- Rengör luftfiltret.

#### Månadstillsyn

- Rengör bränsletanken med bensin och rengör bränslefiltret.
- Rengör filtret för kedjans olja.
- Rengör förgasaren utvändigt liksom utrymmet runt omkring.
- Rengör fläkten och utrymmet runt omkring.
- Rengör ljuddämparen från sotavlagringar.

## 6. Specifications / Caractéristiques / Dati tecnici / Technische Daten / Especificaciones / Tekniska data

(En) MODEL	MCV-331T	MCV-331R
 Engine Size (ml) .....	33	←
 Spark Plug .....	Champion CJ8 or RCJ8 or equivalent	←
 Fuel Tank Capacity (l) .....	0.23	←
 Chain Oil Tank Capacity (l) .....	0.15	←
 Dry Weight (kg) .....	3.1 (Without guide bar and chain)	3.5
 Guide bar length (cm) .....	30-35 (12"-14")	←
 Chain pitch (mm) .....	9.52 (3/8 inch)	←
 Chain gauge (mm) .....	1.27 (0.05 inch)	←
 Sound pressure level (dB(A)) by IS07182 .....	Lp measured 95.9	96.9
 Sound power level (dB(A)) by IS09207 .....	Lw guaranteed 104	104
 Vibration level (m/s <sup>2</sup> ) by IS07505		
Front handle .....	4.5	5.1
Rear handle .....	7.0	3.4

- (En) NOTE : Equivalent noise level/vibration level are calculated as the time-weighted energy total for noise/vibration levels under various working conditions with the following time distribution: 1/3 idle, 1/3 full, 1/3 racing speed.  
\* All data subject to change without notice.
- (Fr) REMARQUE : Les niveaux sonore et de vibrations équivalents sont calculés comme le total de l'énergie pondéré temporellement pour le niveau sonore et le niveau de vibrations dans diverses conditions de travail avec la distribution temporelle suivante : 1/3 au ralenti, 1/3 à plein régime, 1/3 au régime d'emballément.  
\* Toutes les données peuvent être modifiées sans préavis.
- (It) NOTA : Il livello di rumore/livello di vibrazioni equivalenti sono calcolati come il totale di tempoenergia pesata per il livello di rumore/vibrazioni in varie condizioni di funzionamento con la seguente distribuzione dei tempi: 1/3 minimo, 1/3 piena potenza, 1/3 velocità di corsa.  
\* Nota: Le specifiche possono subire modifiche senza preavviso per miglioramenti tecnici.
- (Ge) HINWEIS : Der äquivalente Geräuschpegel/Schwingungspegel errechnet sich aus der zeitgewichteten Gesamtenergie für Geräusch/Schwingungspegel unter unterschiedlichen Arbeitsbedingungen bei der folgenden Zeitverteilung: 1/3 Leerlauf, 1/3 Vollast, 1/3 Schnelllauf.  
\* Alle Angaben können ohne vorherige Mitteilung geändert werden.
- (Sp) NOTA : Nivei de ruido equivalentelel nivel de vibración se calcula como energía total del tiempo ponderado para ruidos/nivel de ruido hajo varias condiciones de marcha con la siguiente distribución de tiempo: 1/3 marcha lenta, 1/3 marcha a toda velocidad, 1/3 valocidad de embalado.  
\* Todos los datos pueden modificarse sin aviso previo.
- (Sw) OBSERVERA : Den ekvivalenta ljudnivån vibrationsnivån räknas som den tidsvägda totalenergin för ljudnivå/vibrationsnivå under olika arbetsförhållanden med följande tidsfördelning: 1/3 tomgång, 1/3 fullt, 1/3 rusningshastighet.  
\* Rätt till ändringar förbehålles.

(En) **Declaration of conformity**  
(Fr) **Déclaration de conformité**  
(It) **Dichiarazione di conformità**  
(Ge) **Konformitätserklärung**  
(Sp) **Declaración de conformidad**

We,  
Nous soussignés,  
Noi,  
Der unterzeichnete,  
Nosotros,

MARUYAMA MFG. CO.,INC., 4-15 Uchi-kanda 3-chome chiyoda-ku Tokyo Japan

Declare under our sole responsibility that the product, chain saw model MCV-331T  
Déclarons sous notre seule responsabilité que le produit en question, tronçonneuse modèle MCV-331R  
Dichiariamo sotto la nostra unica responsabilità che il prodotto, motosega modello  
Erklärt unter, eigener Verantwortung, daß das Produkt, Motorsäge Modell  
Declaramos dajo nuestra única responsabilidad que et producto, motosierra modelo

to which this declaration relates is in conformity with the essential safety requirements of directives.  
à laquelle se rapporte la présente déclaration est conforme aux directives concernant les conditions de sécurité essentielles.  
al quale questa dichiarazione si riferisce, é conforme ai requisiti di sicurezza essenziali delle direttive.  
für das diese Erklärung gilt, den wesentlichen Sicherheitsanforderungen der Richtlinien entspricht.  
que corresponde a esta declaración, satisface la (s) siguiente (s) exigencia (s) de seguridad esencial (es) de las directivas.

98/37/EC, 89/336/EEC, 2000/14/EC

The following standards have been taken into consideration  
Les normes suivantes ont été prises en considération.  
Sono stati presi in considerazione i seguenti standard.  
Die nachfolgenden Standards wurden in Betracht gezogen.  
Se han tenido en consideración las siguientes normas.

EN ISO 11681-2, EN ISO 12100-2  
CISPR 12

Notified body: Statens Maskinprovningar, Fyrisborgsgatan 3 75450, Uppsala, Sweden, has carried out EU type examination according to Article 8, point 2c, paragraph 3. The notified body has issued certificate of EU type examination no: 404/97/490, SEC/95/281 according to Annex VI, point 4.

Organisme concerné: Statens Maskinprovningar, Fyrisborgsgatan 3 75450, Uppsala, Suède, a effectué un contrôle de type CE conformément à l'article 8, point 2c, troisième paragraphe. L'organisme concerné a délivré un certificat de contrôle européen de type CE N° 404/97/409, SEC/95/281 suivant l'Annexe VI, point 4.

L'Organo preposto: Statens Maskinprovningar, Fyrisborgsgatan 3 75450, Uppsala, Svezia, ha eseguito il controllo di tipo UE conformemente all'Articolo 8, punto 2c, terzo comma. L'Organo preposto ha emesso il certificato relativo al controllo di tipo UE num. 404/97/409, SEC/95/281 secondo Allegato VI, punto 4.

Konrrollbehörde: Statens Maskinprovningar, Fyrisborgsgatan 3 75450, Uppsala, Schweden, hat die EG-Baumusterprüfung gemäß Artikel 8, Pkt, 2c, dritter Absatz durchgeführt. Die Kontrollbehörde hat die EG-Baumusterbescheinigung Nr. 404/97/409, SEC/95/281 gemäß Anhang VI, Pkt. 4 ausgestellt. punto 4.

Organismo notificado: Statens Maskinprovningar, Fyrisborgsgatan 3 75450, Uppsala, Suecia, ha realizado la inspección del tipo EU de acuerdo con et Artículo 8, cláusula 2c, párrafo 3. El organismo notificado ha emitido et certificado de inspección del tipo EU N°: 404/97/409, SEC/95/281 de acuerdo con et Anexo VI, punto 4.

Manufactured at : Chiba, Japan

on the 01/01/2006

Fait à:

le

Luogo:

li

Erstellt in:

den

Fabricado en:

el

Signature:

Serial No. up from

C001001

Signature:

N° de série à partir de

Firma:

Atsushi Kiuchi

Num. di serie da

Unterschrift:

Serien-Nr. Ab

Fimado:

No. de Serie de

en adelante

Position:

Director

Function:

Directeur

Incarico:

Direttore

Titel:

Geschäftsführer

Cargo:

Director



(Sw) **Konformitetsdeklaration**  
(Po) **Declaração de conformidade**  
(Ne) **Verklaring van conformiteit**  
(Fi) **Ilmoitus lainmukaisuudesta**  
(Gr) **Δήλωση Καταλληλότητας**

vi,  
Nós,  
wij,  
Me,  
Εμείς,

MARUYAMA MFG. CO.,INC., 4-15 Uchi-kanda 3-chome chiyoda-ku Tokyo Japan

Förklarar härmed på eget ansvar att denna produkt, motordriven kedjesåg modell MCV-331T  
Declaramos sob nossa exclusiva responsabilidade que o produto, modelo serra de cadeia MCV-331R  
Verkaren dat, onder onze verantwoordelijkheid het produkt, kettingzaagmodel  
Julistamme omalla vastuullamme, että tässä mainittu tuote, moottorisahamalli  
Δηλώνουμε υπ' ιδίαν ευθύνη ότι το εν λόγω προϊόν, μοντέλο αλυσσοπρίονο

till vilken denna deklaration tillhör, uppfyller samtliga väsentliga säkerhetskrav föreskrivna berörda direktiv.  
ao qual esta declaração se refere, estaem conformidade com os requerimentos de segurança essencial das directivas.  
op welke deze verklaring van toepassing is, voldoet aan de vereisten voor de veiligheid van richtlijnen jota tämä julistus koskee, täyttää seuraavien määräysten asettamat pääasialliset turvallisuusmääräykset.

στο οποίο η παρούσα δήλωση αναφέρεται συμμορφώνεται με τις ουσιώδεις απαιτήσεις ασφαλείας των οδηγιών.

98/37/EC, 89/336/EEC, 2000/14/EC

Vi har tagit hänsyn till följande standards.  
As seguintes normas foram levadas em consideração  
De volgende normen werden in beschouwing genomen  
Seuraavat normit on huomioitu  
Τα παρακάτω πρότυπα έχουν ληφθεί υπ' όψω

EN ISO 11681-2, EN ISO 12100-2  
CISPR 12

Anmält organ: Statens Maskinprovningar, Fyrisborgsgatan 3 75450, Uppsala, Sverige, har utfört EU-typkontroll enligt Artikel 8, punkt 2c, tredje stycket. Anmält organ har utfärdat intyg om EU-typkontroll nr. 404/97/409, SEC/95/281 enligt Annex VI, punkt 4.

Organismo notificado: Statens Maskinprovningar, Fyrisborgsgatan 3 75450, Uppsala, Suécia, realizou inspeção tipo EU conforme artigo 8, item 2c, parágrafo 3. O organismo notificado expediu certificado sobre a inspeção tipo EU no.: 404/97/409, SEC/95/281 segundo anexo VI, item 4.


Aangemelde organisatie: Statens Maskinprovningar, Fyrisborgsgatan 3 75450, Uppsala, Zweden, heeft het EU type onderzoek uitgevoerd in overeenstemming met Artikel 8, punt 2c, paragraaf 3. De aangemelde organisatie heeft het certificaat van EU type onderzoek nummer: 404/97/409, SEC/95/281 uitgegeven, overeenkomstig met Annex VI, punt 4.

Ilmoituksen vastaanottaja: Statens Maskinprovningar, Fyrisborgsgatan 3 75450, Uppsala, Ruotsi, suoriti EU-tyyppikatsuksen artiklan 8 kohdan 2c pykälän 3 mukaan. Ilmoituksen vastaanottaja myönsi EU-tyyppikatsustod \_stuksen no: 404/97/409, SEC/95/281 uitteen VI kohelan 4 mukaan.

Οργανισμός κοινοποίησης: Statens Maskinprovningar, Fyrisborgsgatan 3 75450, Uppsala, Sweden, πραγματοποίησε έλεγχο τύπου Ε. Ε. σύμφωνα με το Άρθρο 8, σημείο 2c, παράγραφος 3. Οργανισμός κοινοποίησης έκδωσε πιστοποιητικό τύπου Ε. Ε. με αριθμό: 404/97/409, SEC/95/281 σύμφωνα με το Παράρτημα VI, σημείο 4.

Tillverkad av: Chiba, Japan  
Fabricado em:  
Gefabriceerd in:  
Valmistuspaikka:  
Κατασκευάστηκε:

den 01/01/2006  
em  
op  
valmistusajankohta  
Στις

Signatur:   
Assinatura:  
Handtekening: Atsushi Kiuchi  
Allekirjoitus:  
Υπογραφή:

Serienr fr.o.m. C001001  
Nº de série acima de  
Seriennummer hoger dan  
Sarjanr. lähtien  
Αύξων Αριθμός εκ των άνω

Befattning: Chef  
Cargo: Diretor  
Funktie: Directeur  
Virka: Director  
Θέση: Διευθυντής



