

PARTS LIST

MC-P

CONTENTS

1. PRUNER HEAD	1
2. SHAFT ASSEMBLY (PS/PL)	3

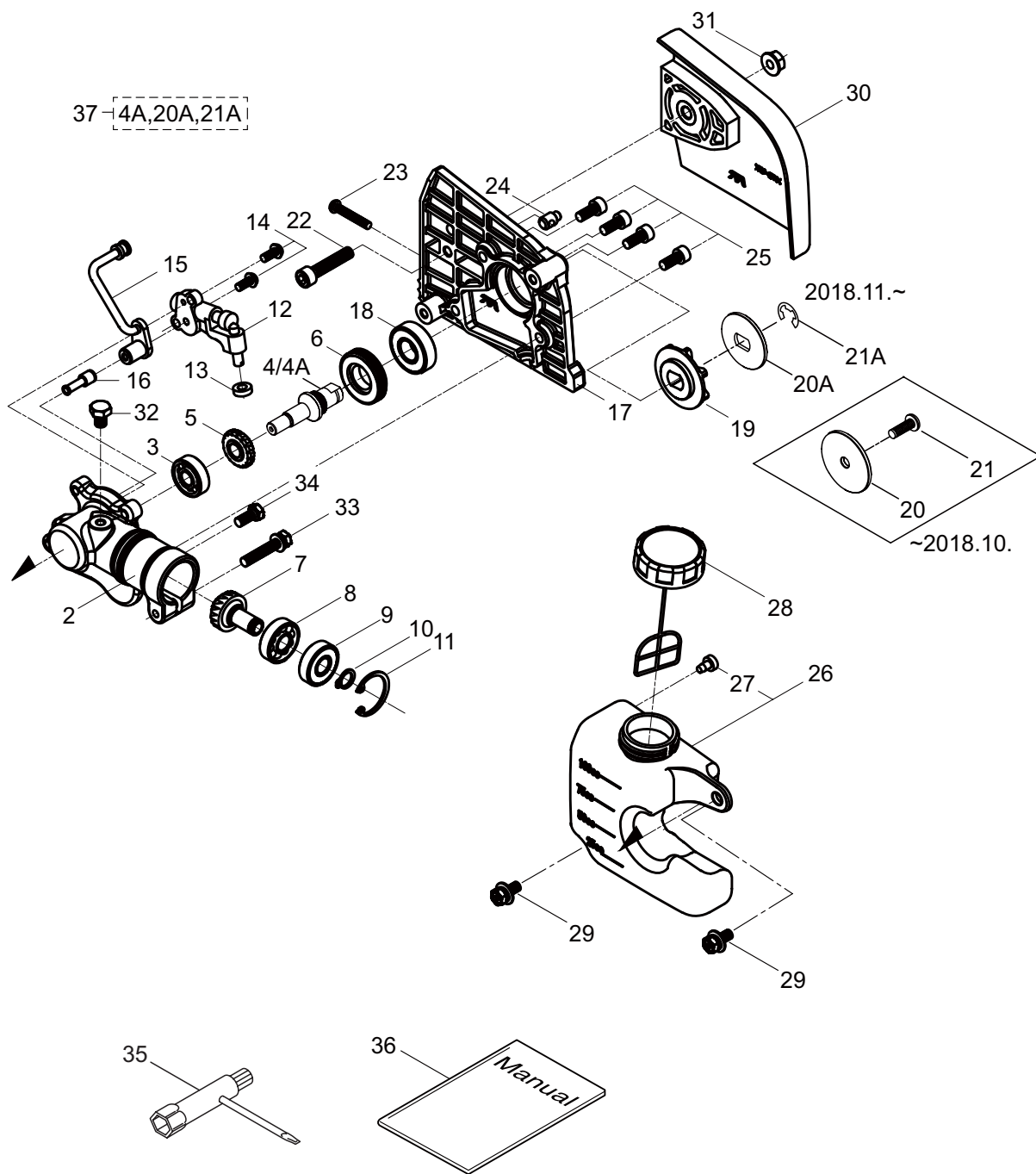
2021. 04.



MARUYAMA

P/N 523535-1

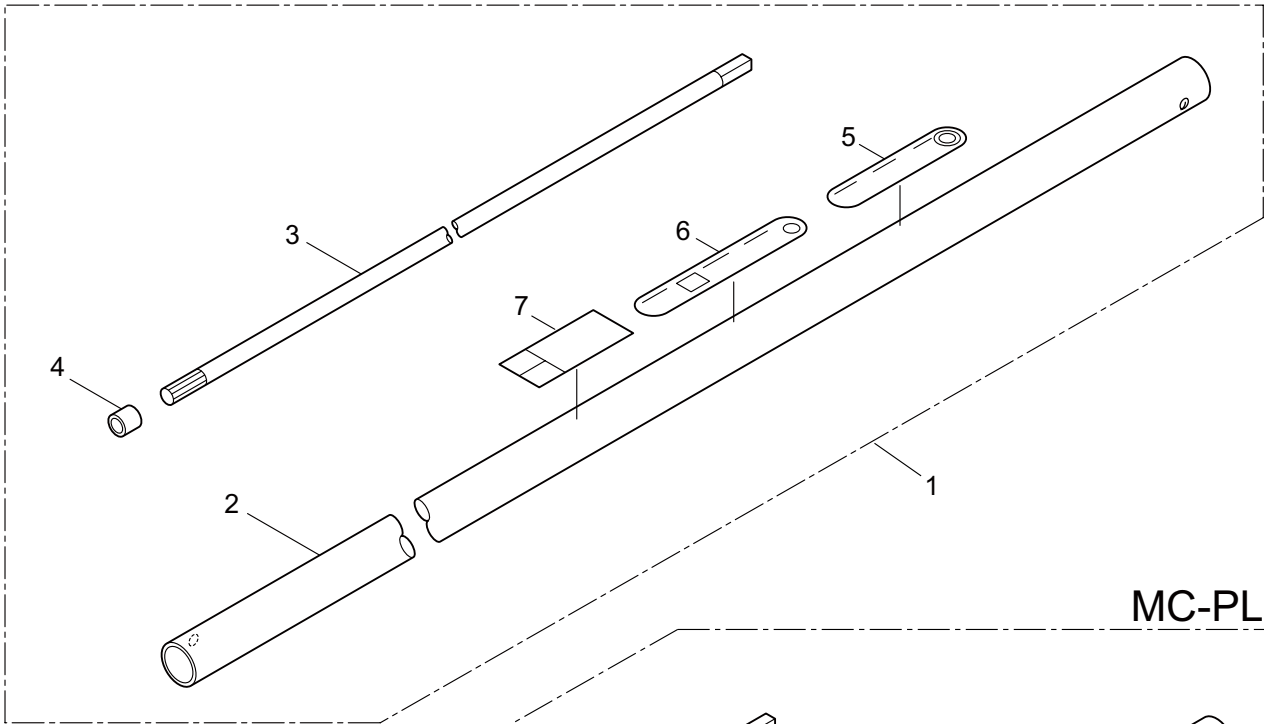
MC-P
1. PRUNER HEAD



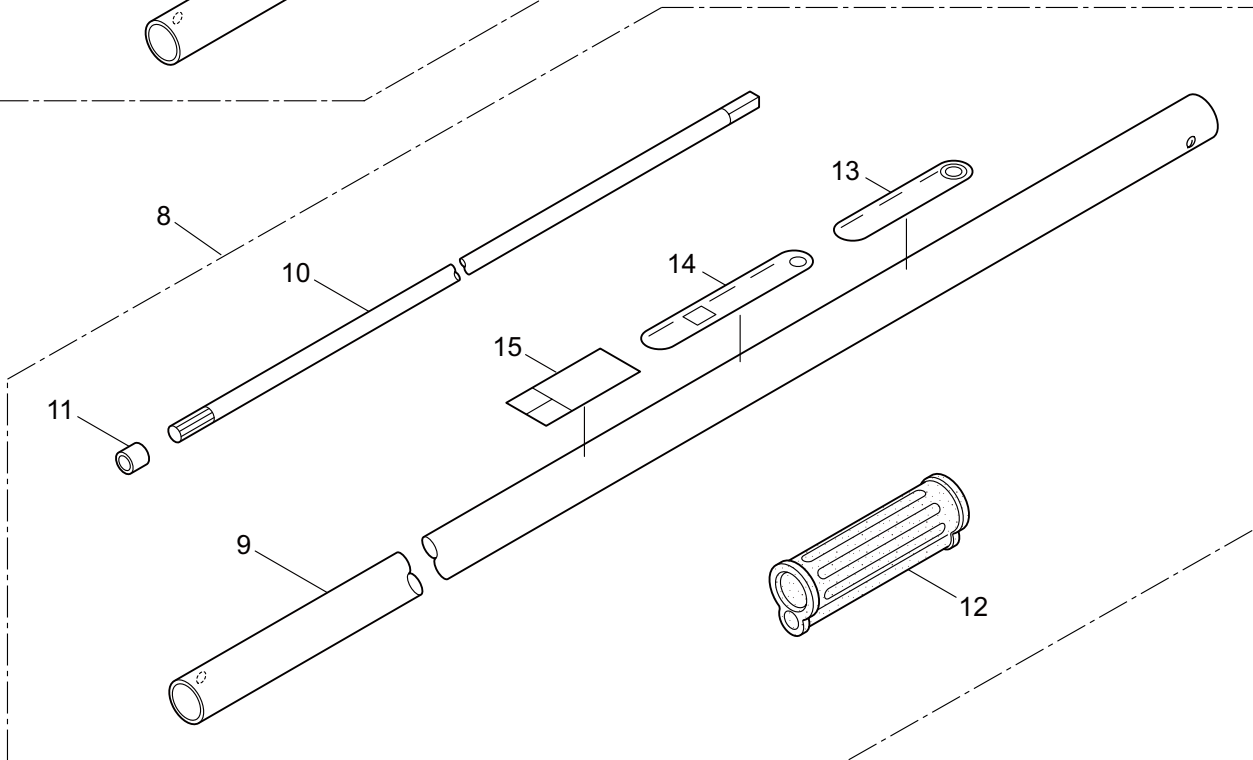
Ref. No.	Part No.	Part Name	Q'ty	Remarks
1-1	364185	MC-P Head Ass'y	1	Incl.2-36
1-2	231855	Gearcase A	1	
1-3	227990	Bearing	1	#608
1-4	231856	Gear Shaft	1	~2018.10.
1-4A	241692	Gear Shaft	1	2018.11.~
1-5	231857	Gear	1	
1-6	231858	Worm Wheel	1	
1-7	231859	Pinion Shaft	1	
1-8	227992	Bearing	1	#609
1-9	227993	Bearing	1	#609Z
1-10	228477	Snap Ring	1	#9
1-11	140270	Snap Ring	1	#24
1-12	231860	Oil Pump	1	
1-13	231861	Seal	1	
1-14	231862	Screw	2	
1-15	231863	Pipe, Oil	1	
1-16	231864	Strainer	1	
1-17	234084	Gearcase B	1	
1-18	227991	Bearing	1	#6001DDU
1-19	231866	Sprocket	1	
1-20	231867	Washer	1	~2018.10.
1-20A	241693	Washer	1	2018.11.~
1-21	231868	Bolt	1	~2018.10.
1-21A	241694	E-Ring	1	2018.11.~
1-22	125588	Bolt	1	M6x30
1-23	234085	Screw	1	M4x30
1-24	231870	Adjuster	1	
1-25	231871	Bolt	4	M5x12
1-26	234086	Oil Tank Ass'y	1	Incl.27
1-27	231873	Breather	1	
1-28	231874	Tank Cap Ass'y	1	
1-29	092580	Bolt	2	M5x12
1-30	231875	Chain Cover Comp.	1	
1-31	126756	Nut	1	M6
1-32	089819	Bolt	1	M6x8
1-33	261246	Cap Screw	1	M5x25
1-34	215993	Cap Screw	1	M5x10
1-35	219968	Box Spanner	1	10x19x(-)
1-36	234748	Instruction Manual	1	MC-PS/PL
1-37	241691	Gear Shaft Ass'y	1	Incl.4A,20A,21A 2018.11~

MC-P
2. SHAFT ASSEMBLY (PS/PL)

MC-PS



MC-PL



Ref. No.	Part No.	Part Name	Q'ty	Remarks
2-1	364186	MC-PS Shaft	1	Incl.2-7
2-2	220218	Driveshaft Tube	1	
2-3	216090	Driveshaft	1	749L
2-4	216079	Stopper	1	
2-5	221501	Label	1	Warning
2-6	221529	Decal	1	Caution
2-7	219937	Label	1	
2-8	364187	MC-PL Shaft	1	Incl.9-15
2-9	231840	Driveshaft Tube	1	
2-10	231841	Driveshaft	1	1526L
2-11	216079	Stopper	1	
2-12	215532	Shaft Grip	1	
2-13	221501	Label	1	Warning
2-14	221529	Decal	1	Caution
2-15	219937	Label	1	