

Is Your Product Registered?

Contact your Dealer to verify.

Warranties are based on Registrations and reduced to 1 year without
Registration.

MARUYAMA

ILLUSTRATED PARTS LIST

EHT23

EXTENDED REACH HEDGE TRIMMER



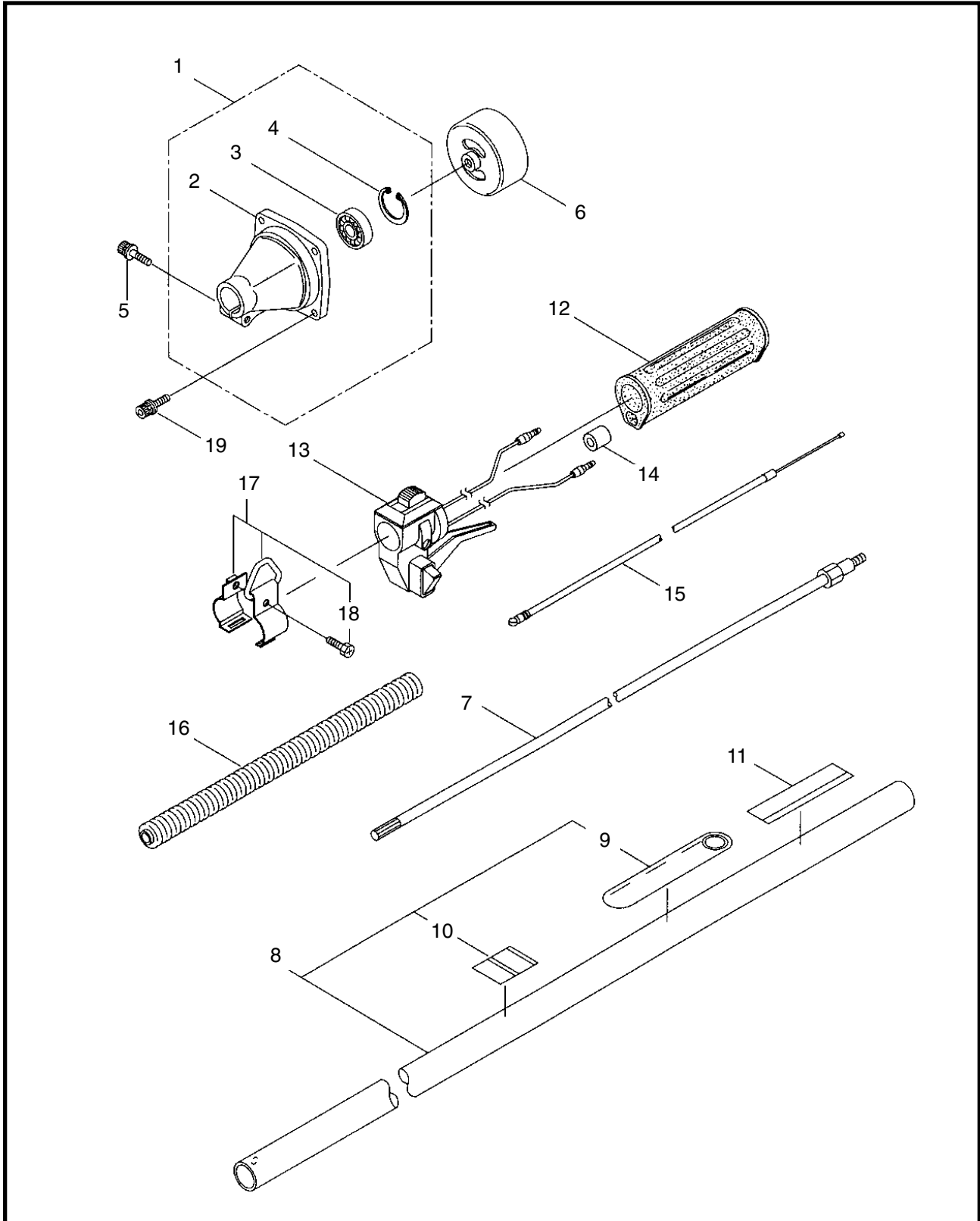
EHT23
EXTENDED REACH
HEDGE TRIMMER
PART 845438 - REV02/04



Maruyama. *E x t r a o r d i n a r y .*

2 ILLUSTRATED PARTS LIST
EHT23

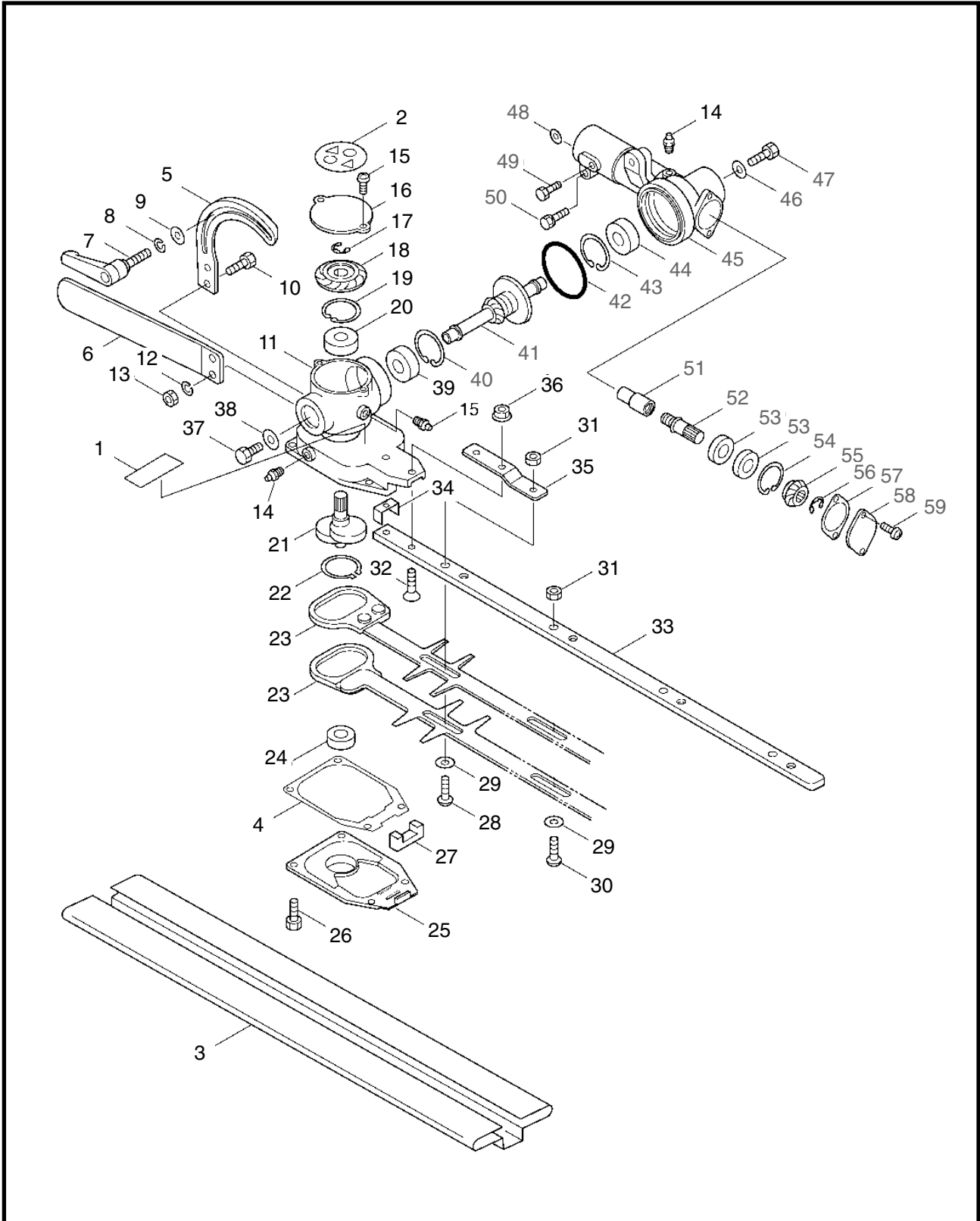
DRIVESHAFT



REF #	PART #	DESCRIPTION	Q'TY.	NOTES
1	219602	Clutch Case Ass'y	1	Incl.2-4
2	219465	Clutch Case	1	
3	016405	Bearing	1	#6200ZZ
4	013825	Snap Ring	1	#30
5	261246	Cap Screw	1	M5x25
6	054677	Clutch Drum	1	
7	224094	Driveshaft Ass'y	1	
8	225081	Driveshaft Tube Ass'y	1	Inc. 9&10
9	221501	Label	1	Warning
10	217879	Label	1	Warning
11	226367	Label	1	EHT23
12	215532	Shaft Grip	2	
13	222953	Throttle Trigger	1	
14	214083	Outer Guide	1	
15	223051	Throttle Cable	1	300L
16	223052	Plastic Tube	1	#10x125L
17	054691	Hanging Bracket Ass'y	1	Incl.18
18	089738	Bolt	1	M5x15
19	261250	Cap Screw	4	M5x20

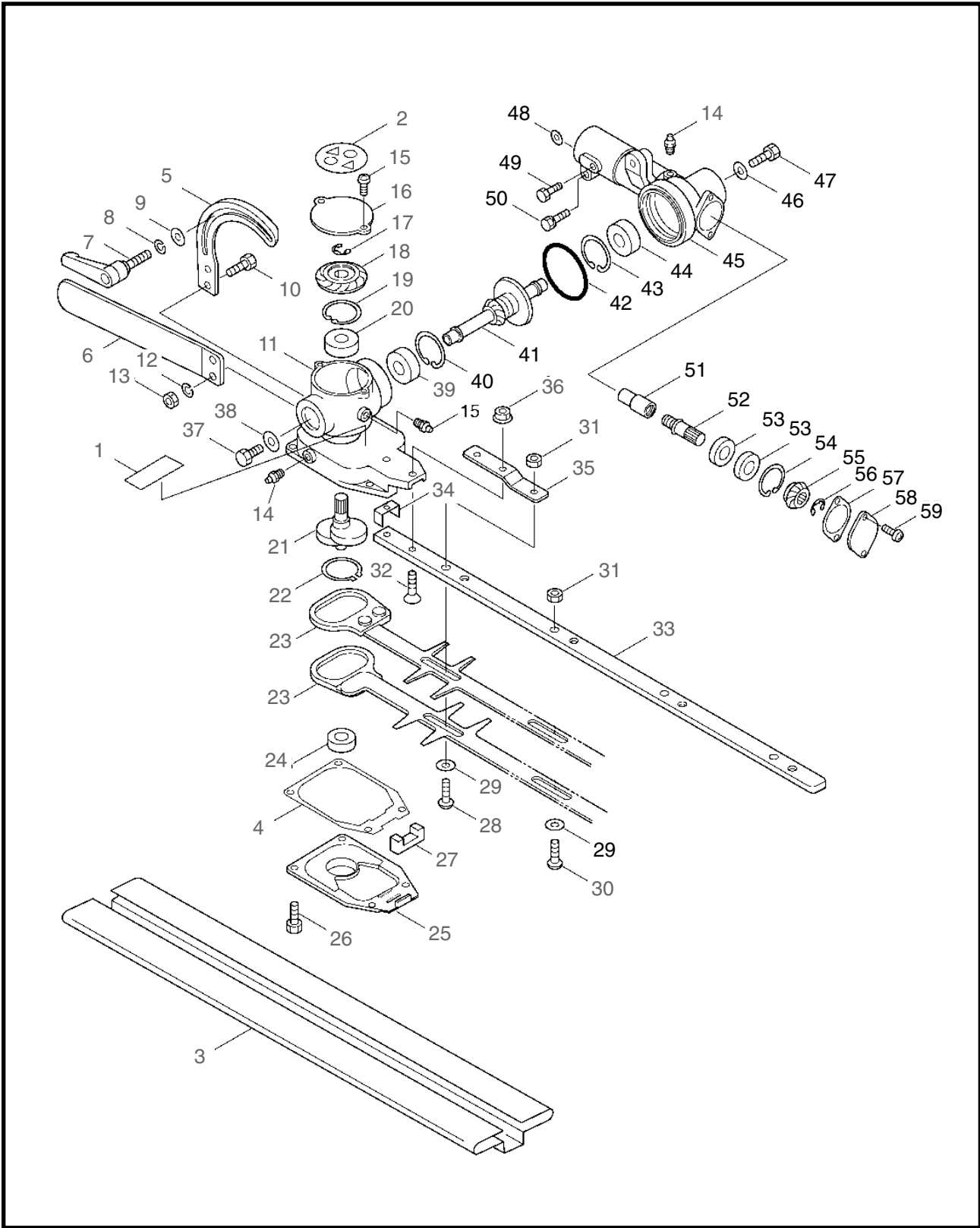
4 ILLUSTRATED PARTS LIST
EHT23

BLADE



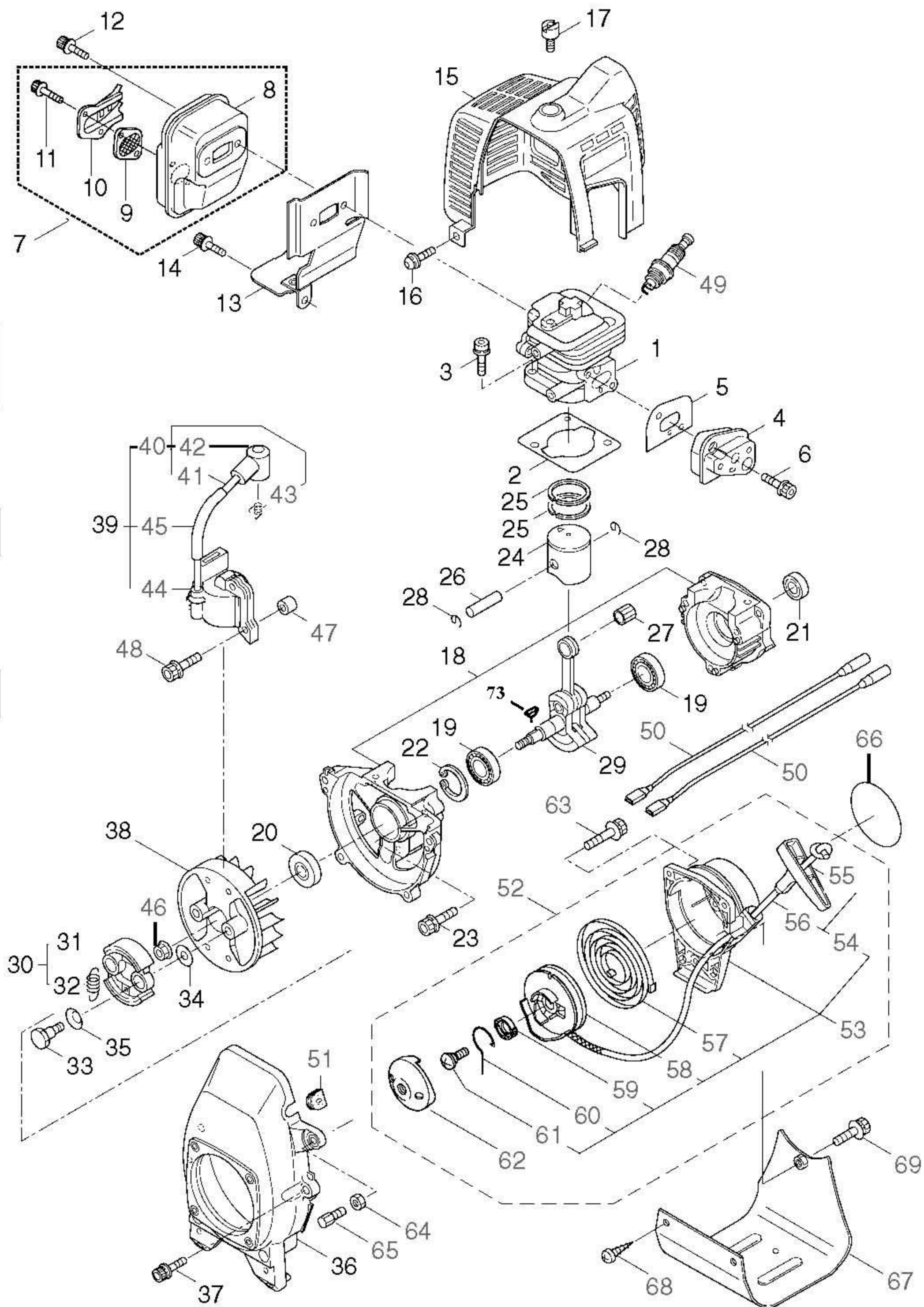
REF #	PART #	DESCRIPTION	Q'TY.	NOTES
1	223925	Label	1	Lubrication
2	631786	Seal	1	
3	631785	Blade Cover	1	440L
4	634571	Packing	1	
5	223873	Stay	1	
6	223872	Handle	1	
7	631748	Clamp Lever	1	6x25
8	631749	Spring Washer	1	M6
9	631750	Washer	1	6x15xt2
10	631751	Screw	2	M6x22
11	634568	Casing (A)	1	
12	631749	Spring Washer	2	M6
13	997253	Nut	2	M6
14	991937	Grease Nipple	3	M6
15	631753	Screw	2	M4x8
16	631754	Plate (A)	1	
17	631755	Snap Ring	1	
18	631756	Gear	1	
19	631757	Snap Ring	1	
20	991933	Bearing	1	#6000 2RS
21	631758	Crank Complete	1	
22	631759	Snap Ring	1	
23	631760	Blade Ass'y	2	
24	580768	Bearing	1	#608Z
25	634570	Cover	1	
26	634572	Screw	4	M4x12
27	631763	Felt	1	
28	631764	Screw	1	
29	991913	Washer	4	
30	631765	Screw	3	
31	991941	U-Nut	4	M6
32	631766	Screw	2	M5x20
33	631767	Guide Plate	1	
34	631768	Stopper	1	
35	631769	Reinforcing Plate	1	
36	997244	Flange Nut	2	M5
37	631770	Screw	1	M6x12
38	631750	Washer	1	6x15xt2
39	631771	Bearing	1	#608 2RS

BLADE



REF #	PART #	DESCRIPTION	Q'TY.	NOTES
40	631772	Snap Ring	1	
41	631773	Gear Shaft (A)	1	
42	631774	O-Ring	1	
43	631757	Snap Ring	1	
44	991933	Bearing	1	#6000 2R
45	634569	Casing (B)	1	
46	631750	Washer	1	6x15xt2
47	631770	Screw	1	M6x12
48	631776	Washer	1	5x10xt1
49	631777	Cap Screw	1	M5x12
50	631778	Cap Screw	1	M5x25
51	631779	Joint	1	
52	631780	Gear Shaft (B)	1	
53	631781	Bearing	2	#6900RS
54	631772	Snap Ring	1	
55	631782	Gear	1	
56	631755	Snap Ring	1	
57	631783	Packing	1	
58	631784	Plate (B)	1	
59	631753	Screw	2	M4x8

ENGINE



Cylinder & Piston Kit

71

Gasket Kit

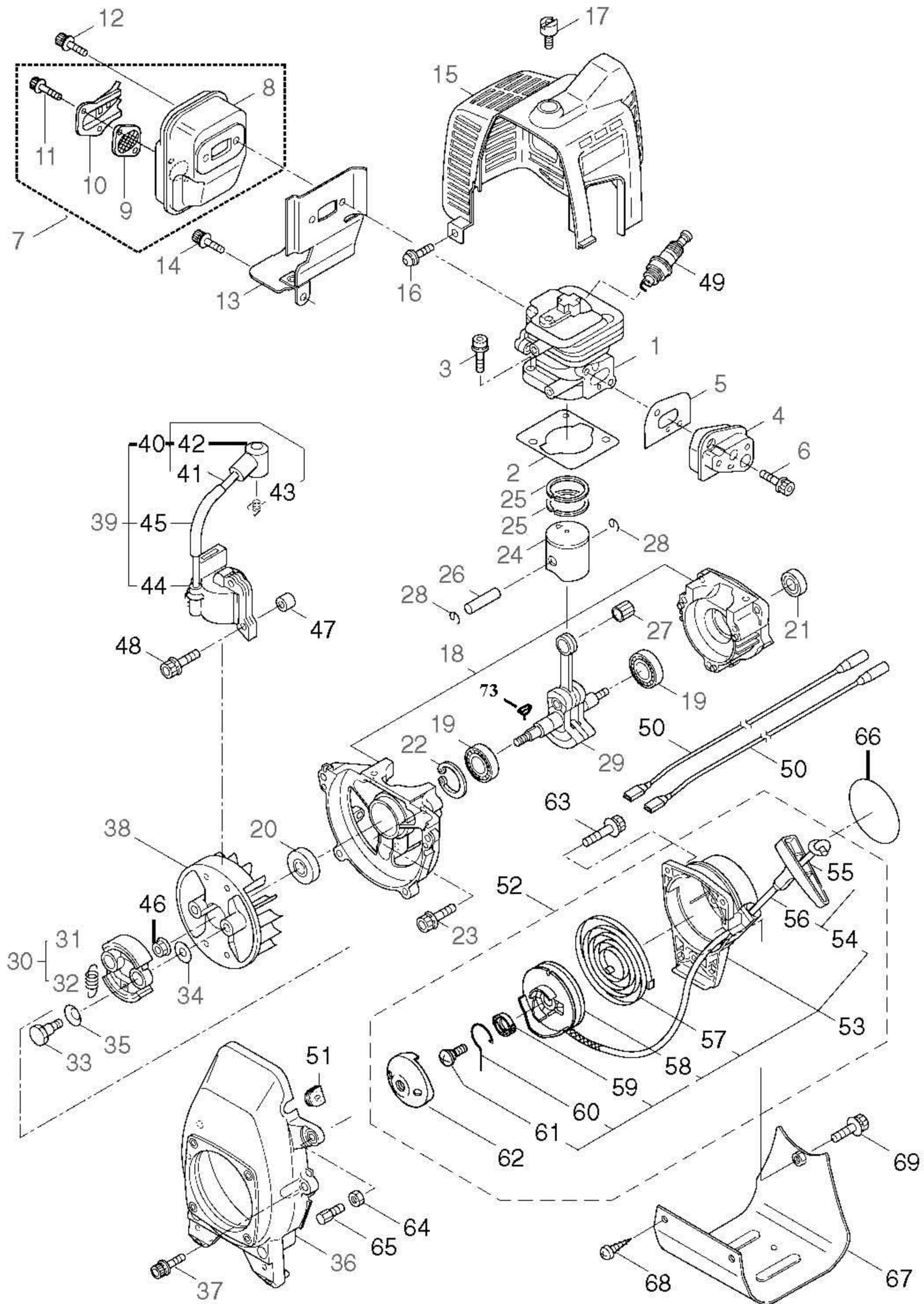
72

Short Block

70

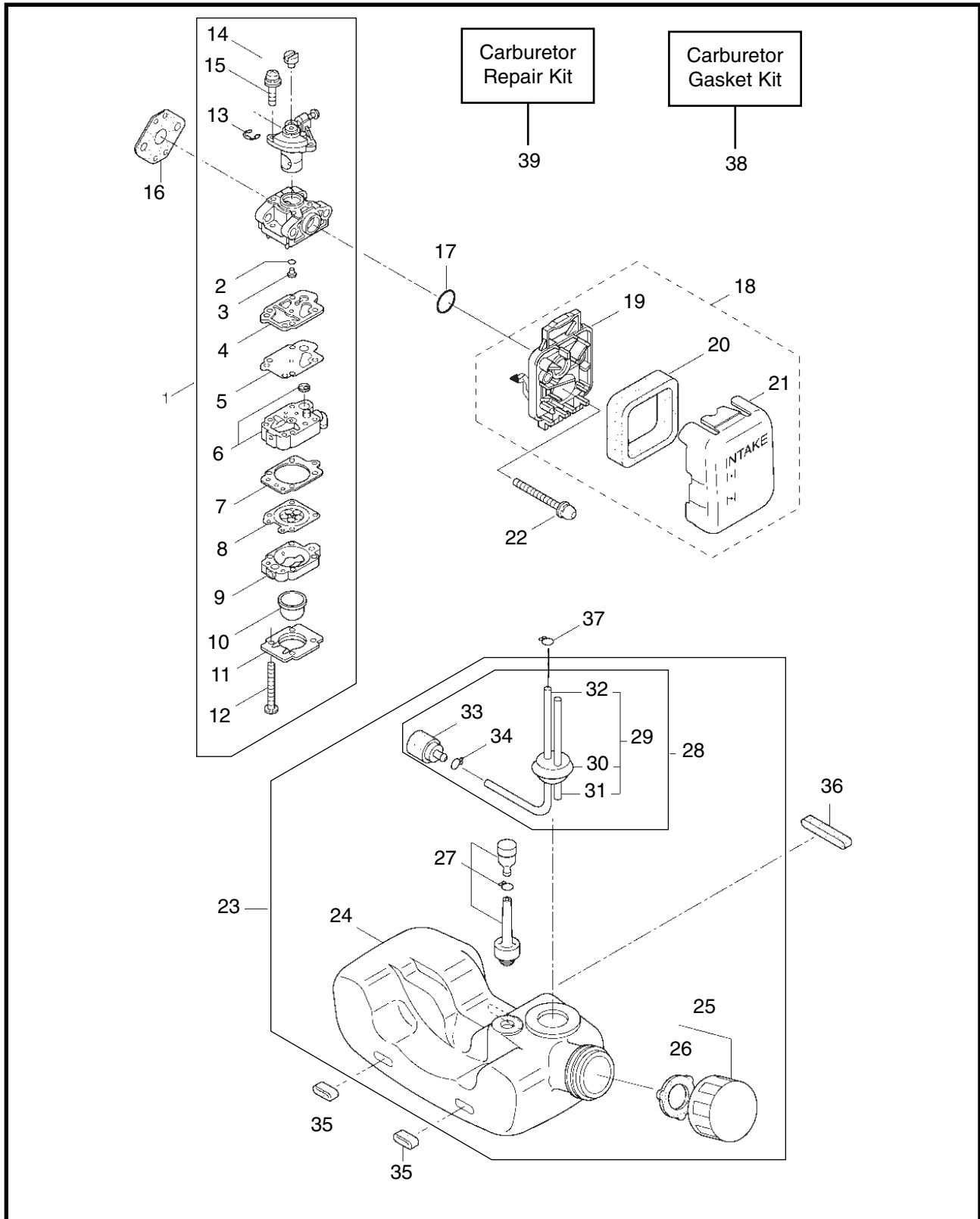
Ref #	Part #	Description	Q'ty.	Notes
1	266249	Cylinder	1	New gasket required
2	267178	Gasket	1	
3	267290	Cap Screw	2	M5x20
4	265802	Insulator	1	New gasket required
5	267049	Gasket	1	
6	265924	Cap Screw	2	M5x25
7	267051	Muffler Ass'y	1	Incl. 8-11
8	267052	Muffler Comp.	1	
9	267056	Spark Arrester	1	
10	267053	Tail	1	
11	265107	Cap Screw	2	M4x10
12	266264	Cap Screw	2	M5x50
13	267189	Gasket Comp.	1	
14	261607	Cap Screw	1	M5x16
15	267060	Top Cover Ass'y	1	
16	267177	Screw	1	M5x16
17	265742	Knob	1	
18	267063	Crankcase	1	
19	261491	Bearing	2	#6001C3
20	262198	Oil Seal	1	ISCD12287
21	261386	Oil Seal	1	ISCD12227
22	055185	Snap Ring	1	#28
23	261612	Cap Screw	3	M5x30
24	266467	Piston	1	
25	264891	Piston Ring	2	(2)required
26	261036	Piston Pin	1	
27	263957	Needle Bearing	1	KTV81112EG01 B2
28	261576	Piston Pin Retainer	2	
29	267193	Crankshaft/Conn.Rod Ass'y	1	
30	268439	Clutch Ass'y	1	Incl.31,32
31	264026	Clutch Shoe	2	(2)Required
32	264028	Spring,Clutch	1	
33	264505	Bolt	2	
34	261189	Washer	2	6x16.5xt1.2
35	261777	Wave Washer	2	
36	267080	Fan Cover	1	
37	261250	Cap Screw	4	M5x20
38	269806	Rotor/Fan	1	
39	280268	Ignition Coil Ass'y	1	Incl. 40-45

ENGINE



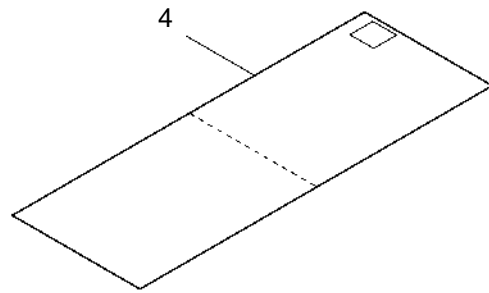
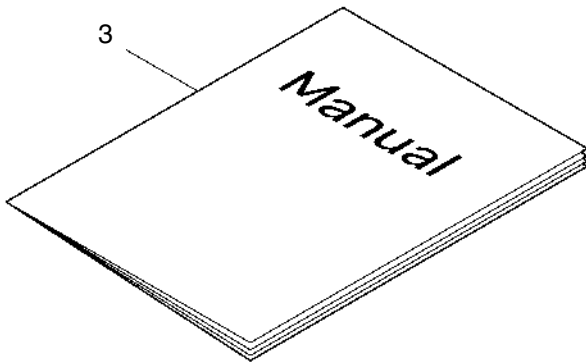
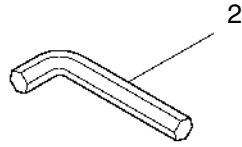
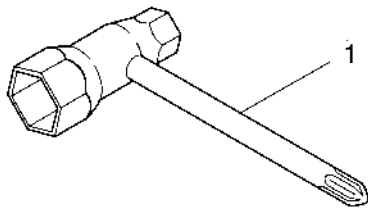
REF #	PART #	DESCRIPTION	Q'TY.	NOTES
40	280740	Spark Plug Wire Ass'y	1	Incl. 41-43
41	280741	Spark Plug Wire	1	
42	261074	Plug Boot	1	
43	261075	Connector	1	
44	261072	Cap	1	
45	280742	Insulator	1	
46	261417	Flywheel Nut	1	M8
47	280394	Spacer	2	
48	261256	Cap Screw	2	M4x25
49	261200	Spark Plug	1	NGK BPM6Y
50	261772	Lead	2	
51	261202	Grommet	1	
52	267096	Recoil Starter Ass'y	1	Incl. 53-62
53	267097	Recoil Ass'y	1	Incl. 54-61
54	267217	Rope Ass'y	1	Incl. 55,56
55	267219	Starter Grip	1	
56	267218	Starter Rope	1	
57	267214	Spiral Spring	1	
58	267212	Pulley	1	
59	267215	Collar	1	
60	267216	Swing Arm	1	
61	267213	Screw	1	
62	267098	Starter Pulley	1	
63	265726	Cap Screw	3	M4x16
64	261878	Nut	1	
65	265409	Adapter	1	
66	280596	Label	1	
67	268107	Stand	1	
68	268109	Screw	2	
69	265724	Cap Screw	1	M4x25
70	850842	Short Block	1	
71	644533	Cylinder & Piston Kit	1	
72	644532	Gasket Kit	1	
73	261076	Woodruff Key	1	

CARBURETOR AND FUEL TANK



REF #	PART #	DESCRIPTION	Q'TY.	NOTES
1	267100	Carburetor Ass'y	1	Incl.2-15
2	261871	O-Ring	1	
3	267358	Main Jet	1	
4	262995	Gasket	1	
5	262994	Fuel Pump Diaphragm	1	
6	263739	Pump Body	1	
7	262993	Gasket	1	
8	261873	Diaphragm,Metering	1	
9	262991	Purge Body	1	
10	261874	Primer Bulb	1	
11	262992	Cover Plate	1	
12	262996	Screw	4	
13	261876	E-Ring	1	
14	261658	Swivel	1	
15	264682	Screw	2	
16	261864	Gasket	1	
17	264691	O-Ring	1	
18	266420	Cleaner Ass'y	1	Incl.19-21
19	266433	Housing	1	
20	264695	Filter	1	
21	264709	Cover	1	
22	264016	Cap Screw	2	M5x60
23	268205	Fuel Tank Ass'y	1	Incl.24-34
24	267103	Fuel Tank	1	
25	264784	Fuel Tank Cap Ass'y	1	Incl.26
26	261105	Gasket	1	
27	261696	Breather Ass'y	1	
28	267309	Fuel Pipe Pick-up Ass'y	1	Incl.29-34
29	266955	Fuel Pipe Ass'y	1	Incl.30-32
30	261112	Grommet	1	
31	265469	Fuel Pipe	1	140L
32	263038	Return Pipe	1	3x6x85L
33	264653	Filter Ass'y	1	
34	261117	Clip	1	
35	264318	Pad	2	
36	263824	Pad	1	
37	261117	Clip	1	
38	840298	Carburetor Gasket/Diaphragm kit	1	
39	840295	Carburetor Repair kit	1	

ACCESSORIES



REF #	PART #	DESCRIPTION	Q'TY.	NOTES
1	210418	Box Spanner	1	13x19x(+)
2	219432	Wrench	1	4mm
3	226370	Instruction Manual	1	EHT23
4	222945	Warranty Card	1	



Maruyama U.S., Inc.
3570 Shelby Lane
Denton, TX 76207
940-383-7400 voice
940-383-7466 fax

www.maruyama-us.com