

# PARTS LIST

## BSM301

### CONTENTS

1. FRAME.....	2 ~ 3
2. MAST .....	4 ~ 5
3. CENTER BOOM.....	6 ~ 9
4. CENTER PIPE.....	10 ~ 13
5. RIGHT BOOM .....	14 ~ 15
6. LEFT BOOM.....	16 ~ 17
7. CHEMICAL TANK .....	18 ~ 19
8. POWER SPRAYER.....	20 ~ 23
9. STRAINER.....	24 ~ 25
10. WATER DIVERSION.....	26 ~ 27
11. CHEMICAL PIPING .....	28 ~ 29
12. LABEL, ACCESSORIES .....	30 ~ 31
13. OPTION (Container Box).....	32 ~ 33

2013.10.

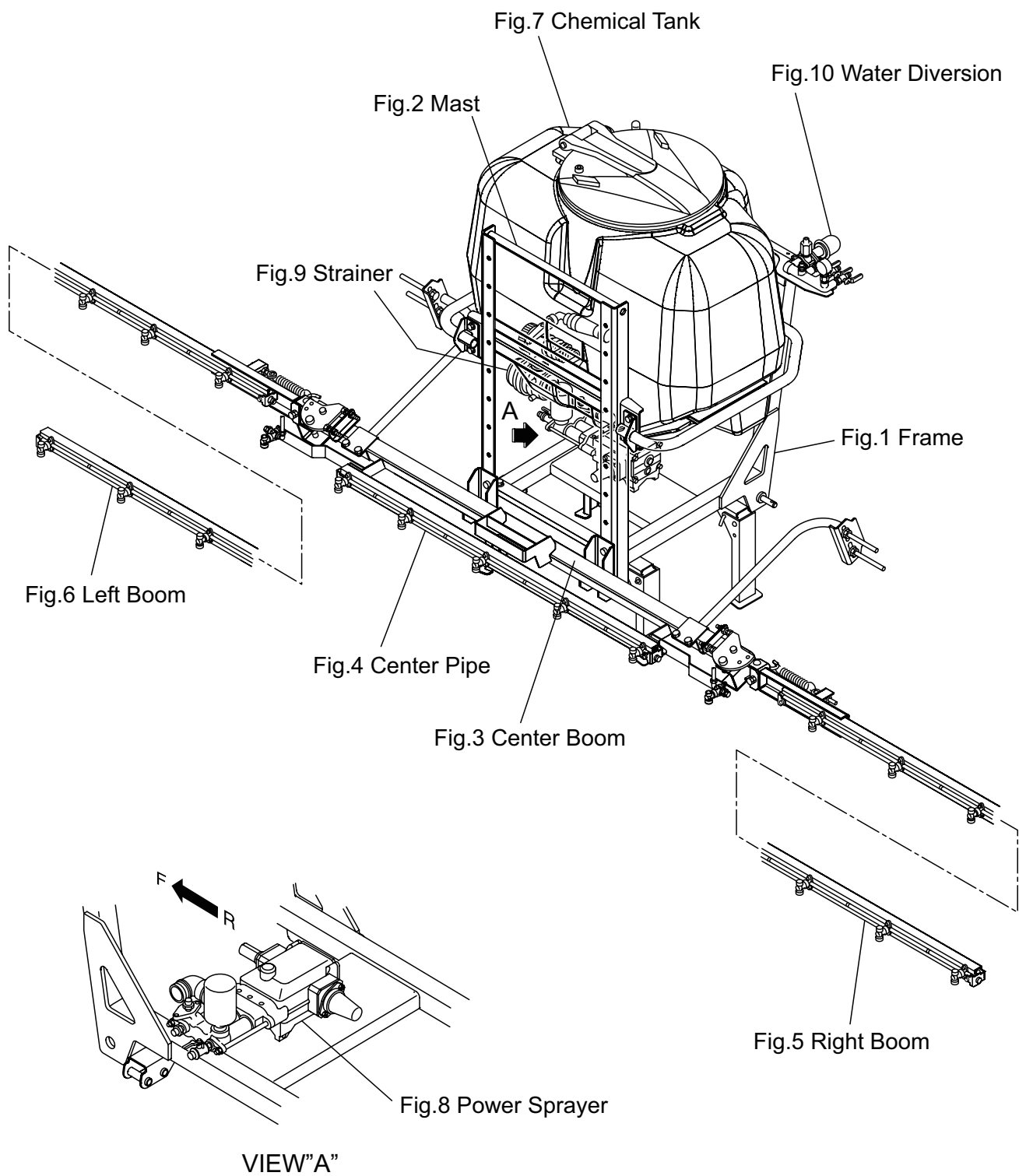


**MARUYAMA**

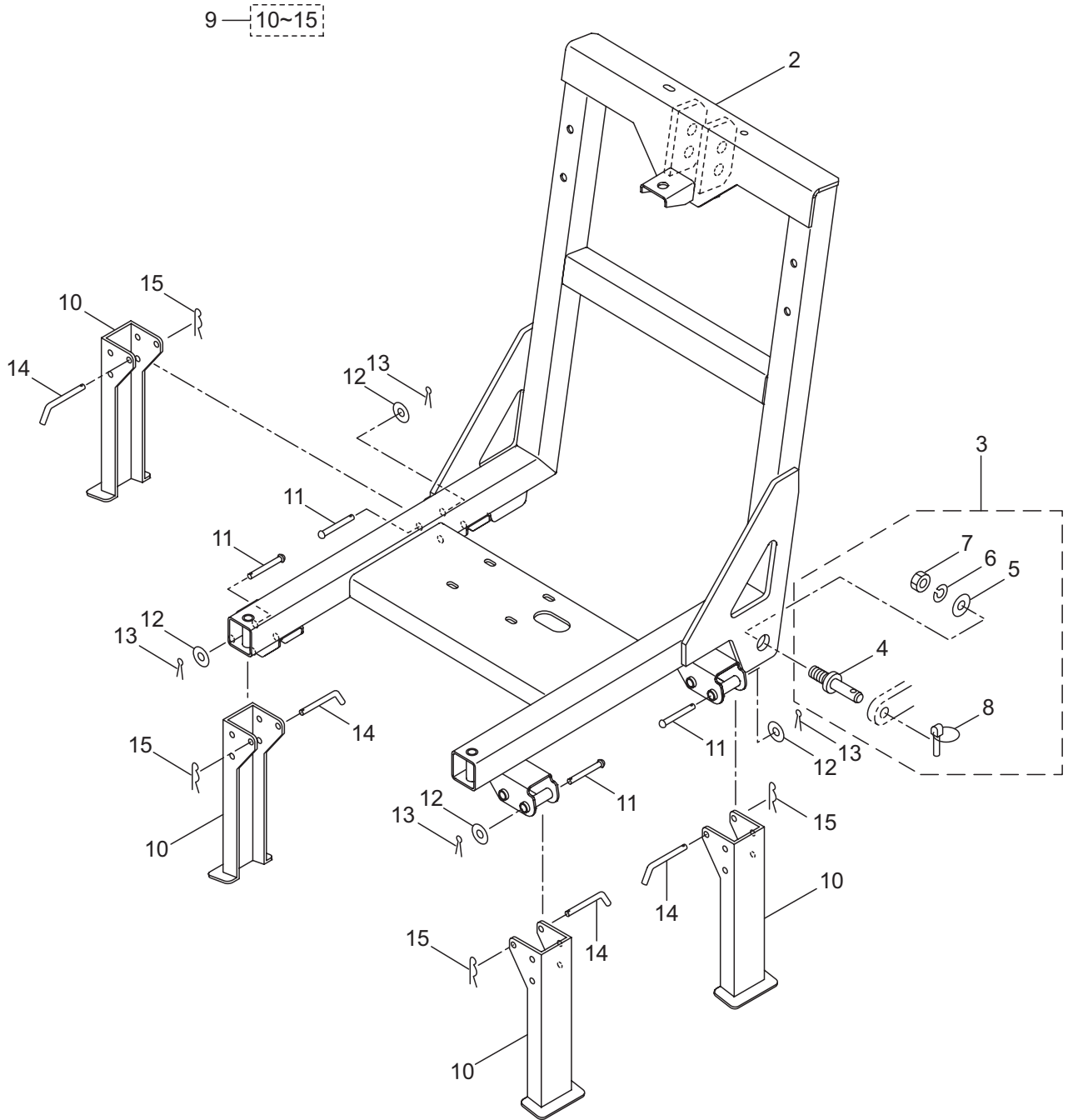
P/N 523680



BSM301 NAMES OF THE PARTS

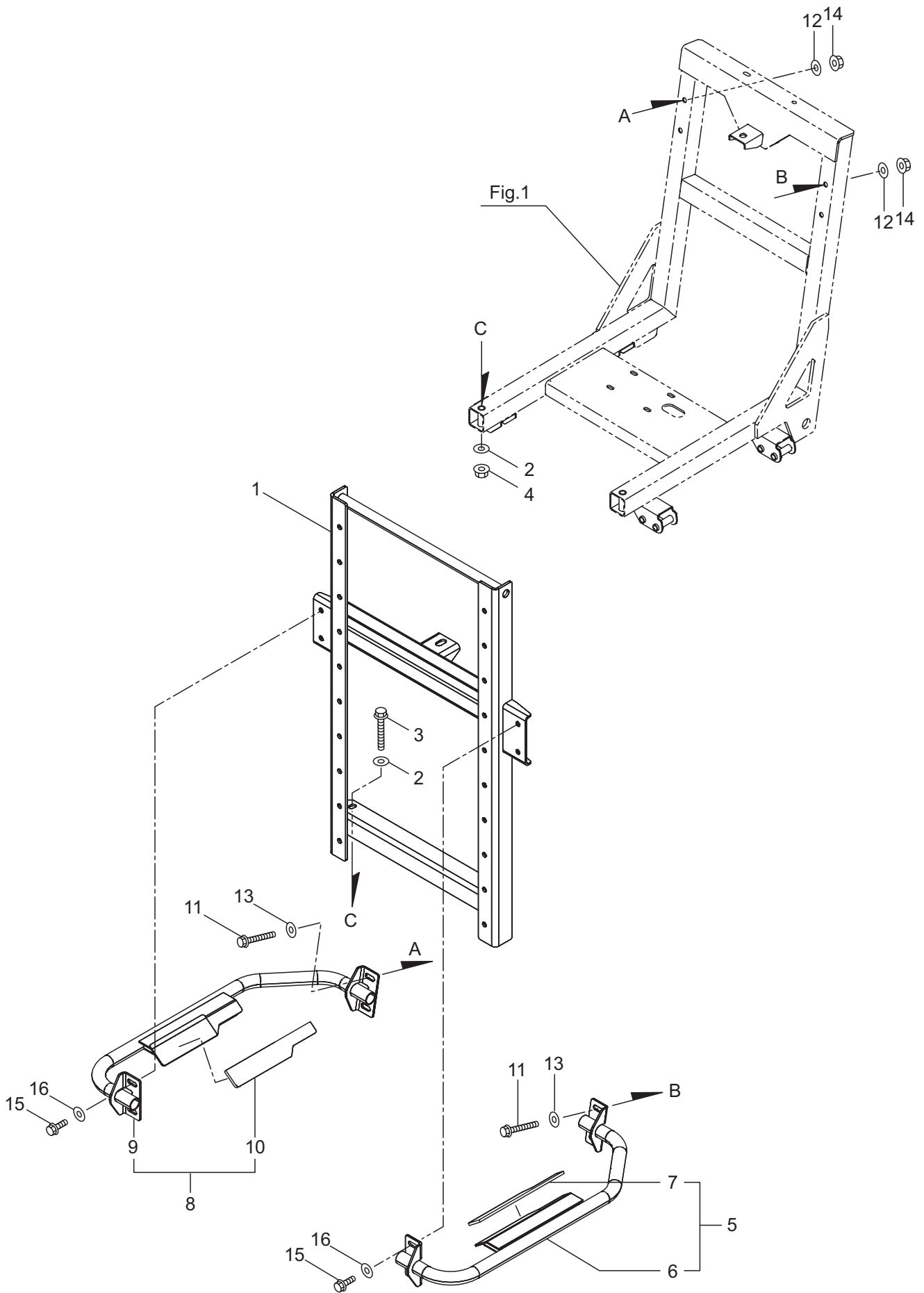


1. BSM301  
FRAME



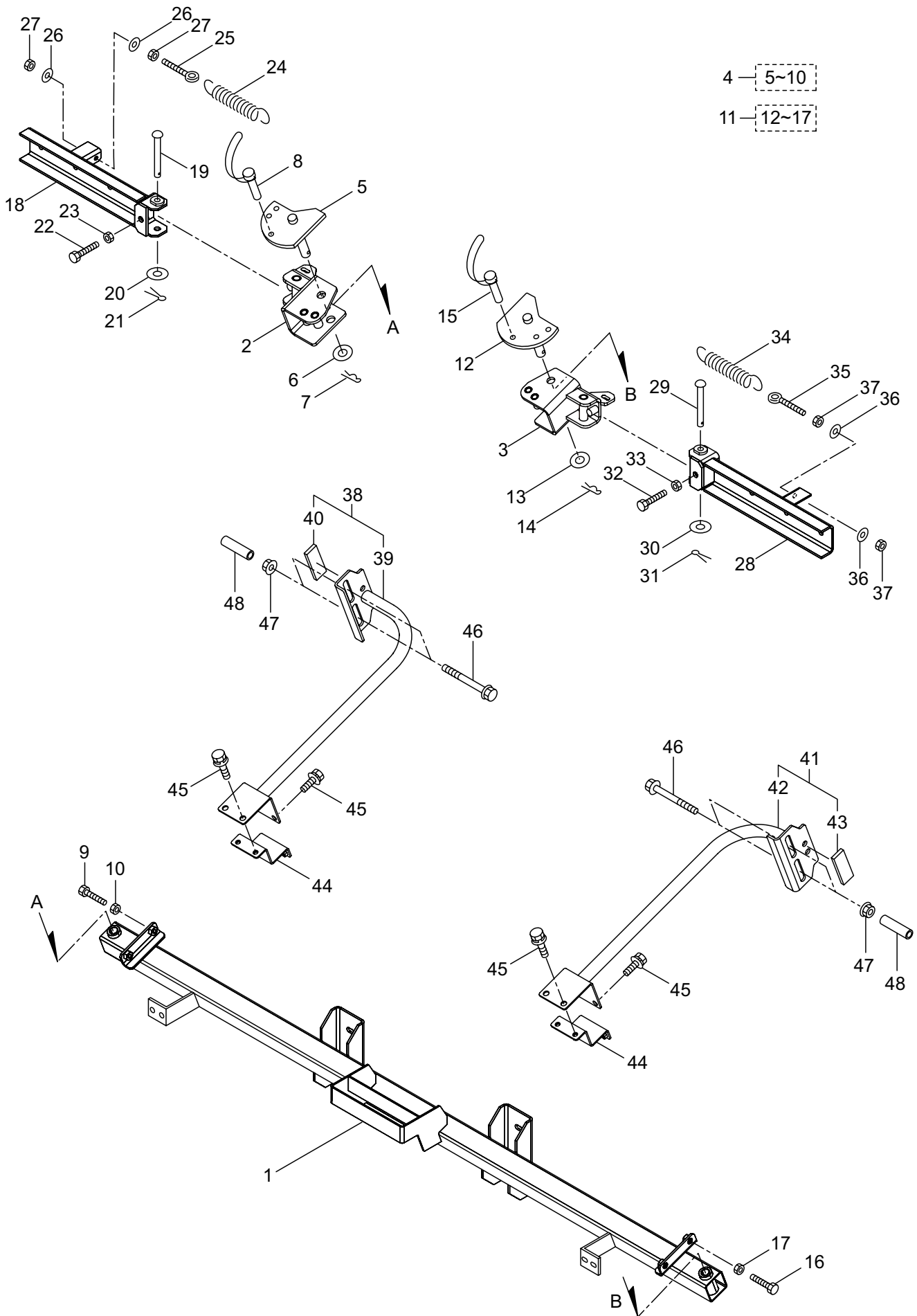
Ref. No.	Parts No.	Parts Name	Q'ty	Remarks
1-1	720032	BSM301	1	
1-2	567003	Fram Comp.	1	
1-3	567016	Pin Ass'y	2	Incl.4-8
1-4	567017	Pin	2	
1-5	567018	Washer	2	22.5x44xt3.2
1-6	567019	Spring Washer	2	M22(2)
1-7	567020	Nut(Hex)	2	M22x1.5(1)
1-8	567021	Pin.Set	2	
1-9	567023	Stand Ass'y	4	Incl.10-15
1-10	567024	Stand Comp.	4	
1-11	567027	Round Rivet	4	10x82.5L
1-12	567028	Washer	4	10.5x22xt3.2
1-13	567029	Split Pin	4	3.2x20L
1-14	567030	Stand Pin	4	
1-15	567031	Snap Pin	4	12x2.6

2. BSM301  
MAST



Ref. No.	Parts No.	Parts Name	Q'ty	Remarks
2-1	567037	Mast Comp.	1	
2-2	567046	Washer	4	12.5x30xt3.2
2-3	567047	Frang Bolt(Hex)	2	M12x75
2-4	567048	Frang Nut(Hex)	2	M12(2)
2-5	567052	Pipe Ass'y	1	Incl.6,7
2-6	567053	Pipe Comp.	1	
2-7	567058	Packing	1	
2-8	567059	Pipe Ass'y	1	Incl.9,10
2-9	567060	Pipe Comp.	1	
2-10	567058	Packing	1	
2-11	567062	Frang Bolt(Hex)	4	M10x70(2)
2-12	567063	Washer	4	11x30xt2.3
2-13	567028	Washer	4	10.5x22xt3.2
2-14	567064	Frang Nut(Hex)	4	M10(2)
2-15	567065	Frang Bolt(Hex)	4	M10x25(2)
2-16	567028	Washer	4	10.5x22xt3.2

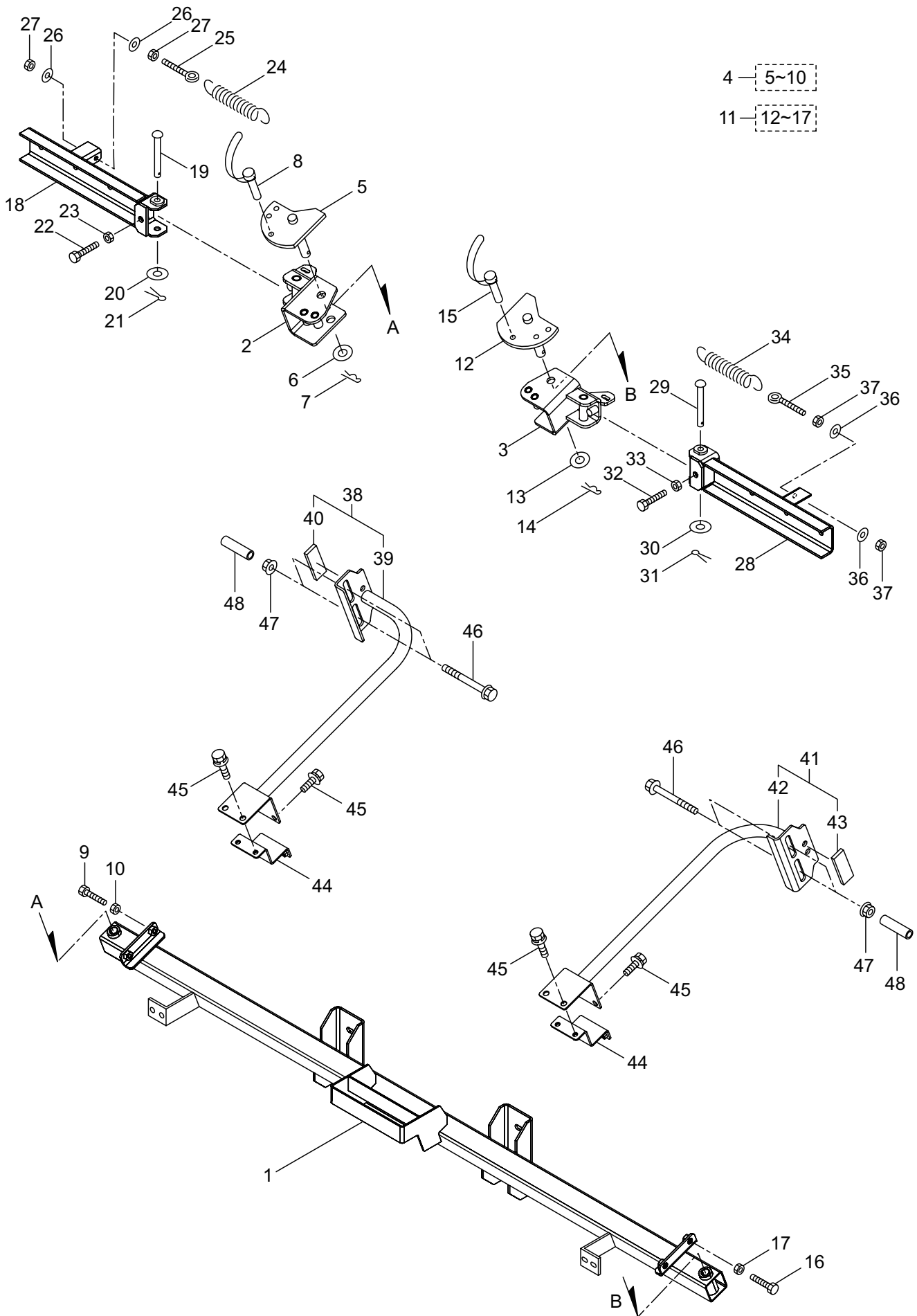
### 3. BSM301 CENTER BOOM





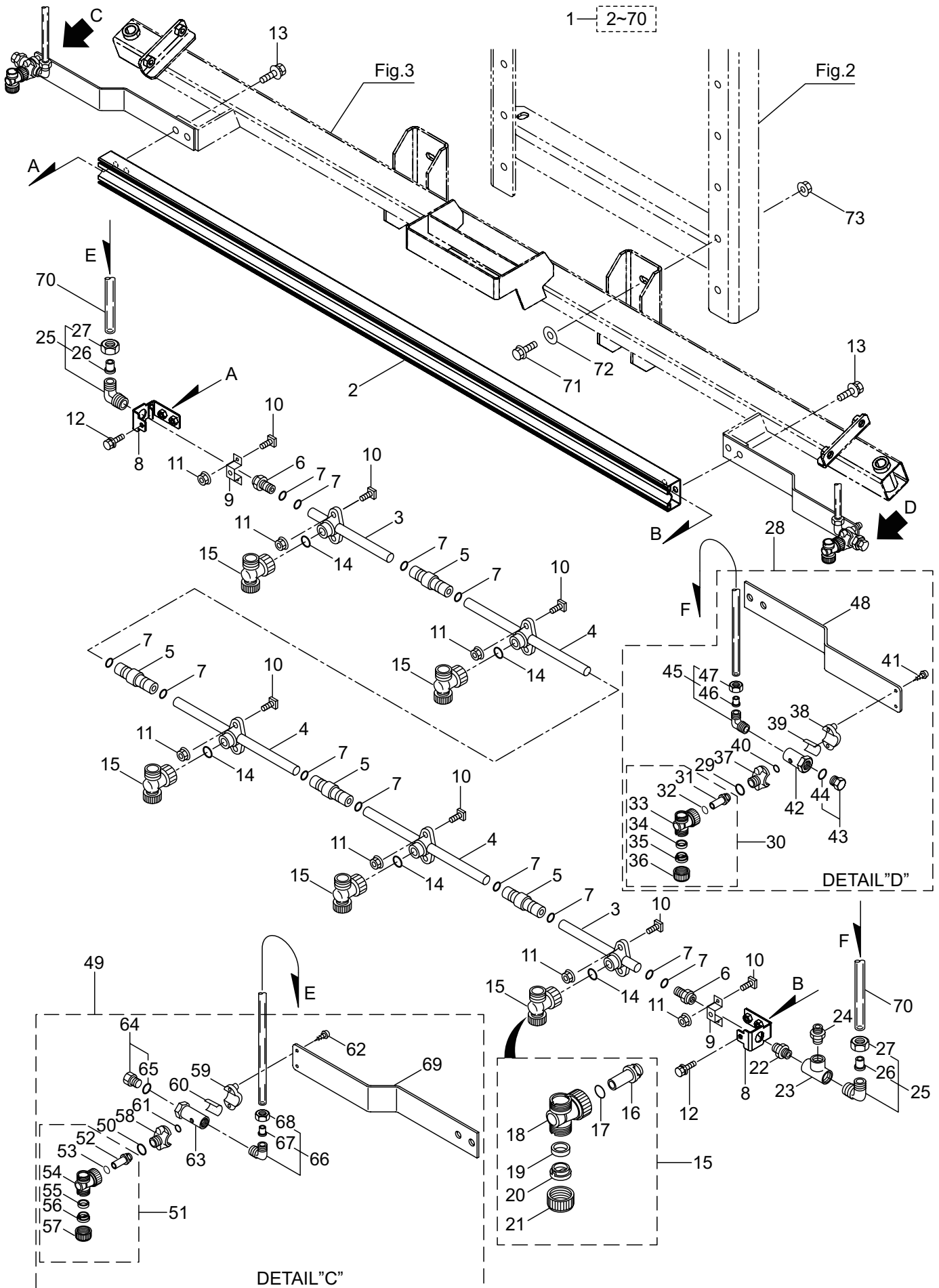
Ref. No.	Parts No.	Parts Name	Q'ty	Remarks
3-1	567118	Center Boom Comp.	1	
3-2	567358	Bracket Comp.	1	
3-3	567360	Bracket Comp.	1	
3-4	567135	Pin Stopper Ass'y	1	L Incl.5-10
3-5	567136	Shaft Comp.	1	L
3-6	567074	Washer	2	17x30xt3
3-7	567140	Snap Pin	1	3x28
3-8	567141	Shaft Lock Pin	1	
3-9	567142	Bolt(Hex)	2	M10x45
3-10	567143	Nut(Hex)	2	M10(2)
3-11	567144	Pin Stopper Ass'y	1	R Incl.12-17
3-12	567145	Shaft Comp.	1	R
3-13	567074	Washer	2	17x30xt3
3-14	567140	Snap Pin	1	3x28
3-15	567141	Shaft Lock Pin	1	
3-16	567142	Bolt(Hex)	2	M10x45
3-17	567143	Nut(Hex)	2	M10(2)
3-18	567146	Bracket Comp.	1	L
3-19	567151	Round Rivet	1	12x92.5L
3-20	567152	Washer	1	12.5x26xt2.3
3-21	567029	Split Pin	1	3.2x20L
3-22	567223	Bolt(Hex)	1	M12x50LS
3-23	567082	Nut(Hex)	1	M12(2)
3-24	567154	Spring	1	
3-25	567155	Swing Bolt	1	M8x1.25x58L
3-26	567156	Washer	2	8.5x18xt1.6
3-27	567167	Nut(Hex)	2	M8(2)
3-28	567157	Bracket Comp.	1	R
3-29	567151	Round Rivet	1	12x92.5L
3-30	567152	Washer	1	12.5x26xt2.3
3-31	567029	Split Pin	1	3.2x20L
3-32	567223	Bolt(Hex)	1	M12x50LS
3-33	567082	Nut(Hex)	1	M12(2)
3-34	567154	Spring	1	
3-35	567155	Swing Bolt	1	M8x1.25x58L
3-36	567156	Washer	2	8.5x18xt1.6
3-37	567167	Nut(Hex)	2	M8(2)
3-38	567296	Pipe Ass'y	1	L Incl.39,40
3-39	567297	Pipe Comp.	1	L
3-40	567301	Packing	1	30x80xt5
3-41	567302	Pipe Ass'y	1	R Incl.42,43
3-42	567303	Pipe Comp.	1	R
3-43	567301	Packing	1	30x80xt5
3-44	567304	Bracket Comp.	2	
3-45	567035	Bolt(Hex)WSW	8	M8x25

### 3. BSM301 CENTER BOOM



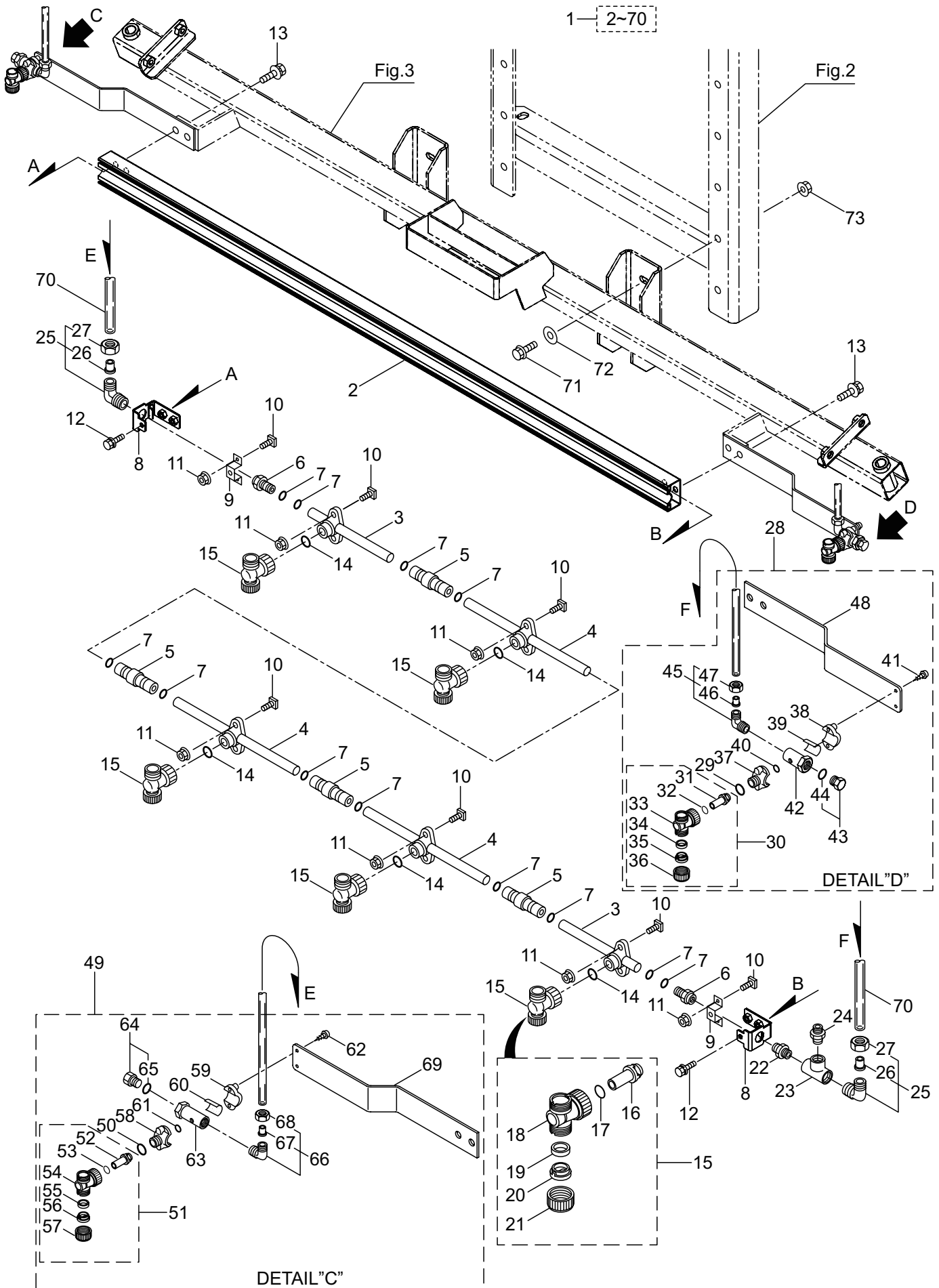
Ref. No.	Parts No.	Parts Name	Q'ty	Remarks
3-46	567047	Frang Bolt(Hex)	4	M12x75
3-47	567048	Frang Nut(Hex)	4	M12(2)
3-48	567285	Hose	4	11.5x16x60L

# 4. BSM301 CENTER PIPE



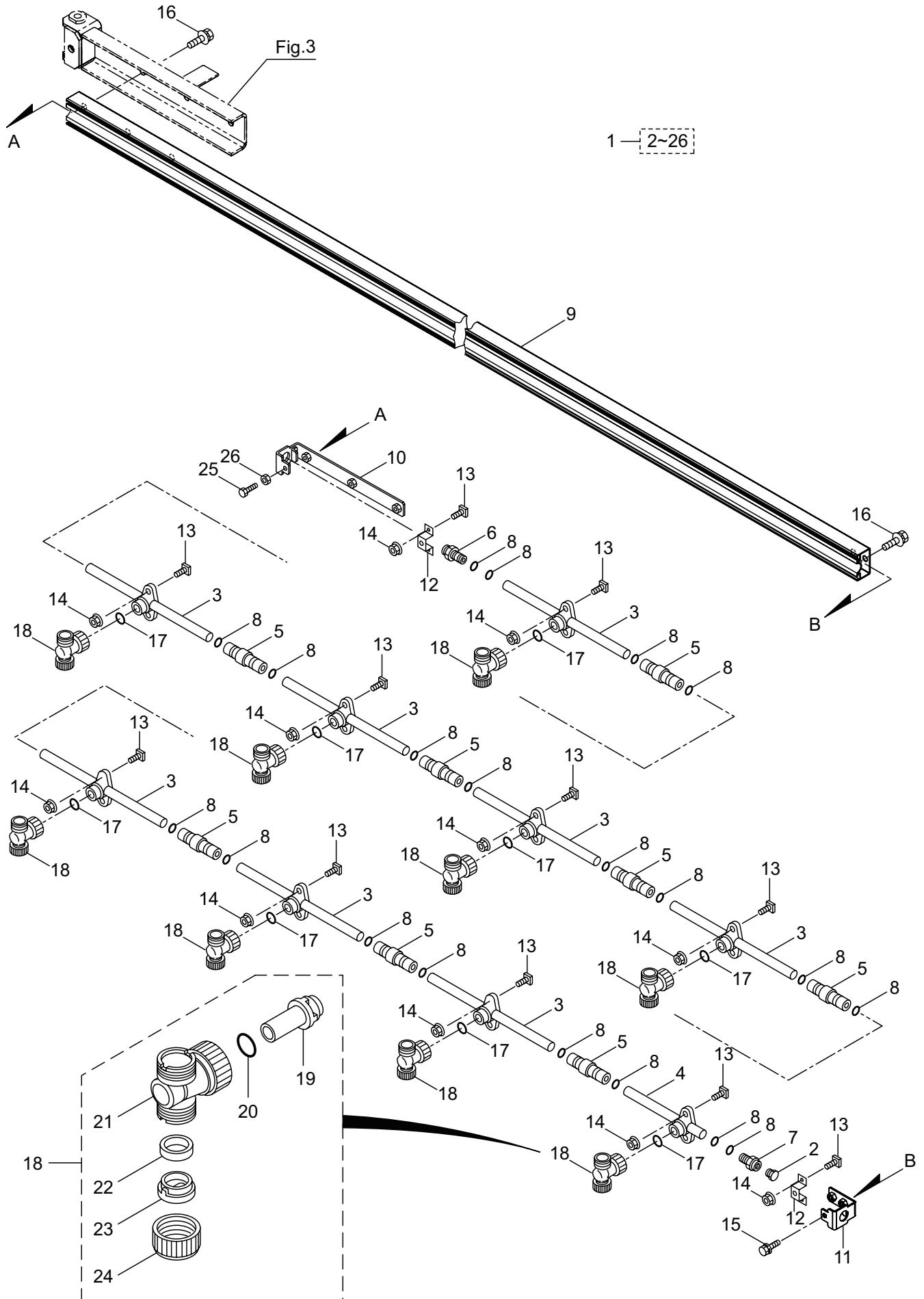
Ref. No.	Parts No.	Parts Name	Q'ty	Remarks
4-1	567369	Center Pipe Ass'y	1	Incl.2-70
4-2	567160	Boom Pipe	1	1275L
4-3	862194	Pipe	2	
4-4	862195	Pipe	3	
4-5	862196	Joint	4	
4-6	567178	End Clasp	2	RC1/4
4-7	011373	O-Ring	12	P-10
4-8	567165	Bracket Comp.	2	
4-9	567168	Stay Comp.	2	
4-10	567170	Bolt(Square)	14	M5x12
4-11	567171	Frange Nut(Hex)	14	M5(1)
4-12	567172	Bolt(Hex)WSW	2	M6x14
4-13	567173	Bolt(Hex)WSW	4	M8x20
4-14	011345	O-Ring	5	P-12
4-15	567357	2 Direction Nozzle	5	Incl.16-21
4-16	177328	Valve	5	
4-17	011373	O-Ring	5	P-10
4-18	567218	Nozzle Holder Ass'y	5	
4-19	103171	Packing	5	
4-20	412893	Nozzle Disk	5	
4-21	100070	Cap	5	
4-22	550103	Nipple	1	PT1/4
4-23	143183	Tee	1	1/4
4-24	168467	Nipple	1	PT1/4xPF3/8
4-25	068736	Elbow Ass'y	2	L2N-5/16-PT1/4 Incl.26,27
4-26	066302	Sleeve	2	
4-27	066303	Nut	2	
4-28	567370	Right Nozzle Ass'y	1	Incl.29-48
4-29	011345	O-Ring	1	P-12
4-30	567357	2 Direction Nozzle	1	Incl.31-36
4-31	177328	Valve	1	
4-32	011373	O-Ring	1	P-10
4-33	567218	Nozzle Holder Ass'y	1	
4-34	103171	Packing	1	
4-35	412893	Nozzle Disk	1	
4-36	100070	Cap	1	
4-37	187560	Body	1	
4-38	148709	Cover	1	
4-39	148710	Rubber Plate	1	16x24xt1.5
4-40	022056	O-Ring	1	P7
4-41	089961	Screw	2	ST3.5x24
4-42	688622	Nipple	1	R1/4xG1/4
4-43	091376	Plug Ass'y	1	G1/4 Incl.44
4-44	023170	O-Ring	1	P12.5
4-45	068736	Elbow Ass'y	1	L2N-5/16-PT1/4 Incl.46,47

# 4. BSM301 CENTER PIPE



Ref. No.	Parts No.	Parts Name	Q'ty	Remarks
4-46	066302	Sleeve	1	
4-47	066303	Nut	1	
4-48	567362	Stay	1	
4-49	567371	Left Nozzle Ass'y	1	Incl.50-69
4-50	011345	O-Ring	1	P-12
4-51	567357	2 Direction Nozzle	1	Incl.52-57
4-52	177328	Valve	1	
4-53	011373	O-Ring	1	P-10
4-54	567218	Nozzle Holder Ass'y	1	
4-55	103171	Packing	1	
4-56	412893	Nozzle Disk	1	
4-57	100070	Cap	1	
4-58	187560	Body	1	
4-59	148709	Cover	1	
4-60	148710	Rubber Plate	1	16x24xt1.5
4-61	022056	O-Ring	1	P7
4-62	089961	Screw	2	ST3.5x24
4-63	688622	Nipple	1	R1/4xG1/4
4-64	091376	Plug Ass'y	1	G1/4 Incl.65
4-65	023170	O-Ring	1	P12.5
4-66	068736	Elbow Ass'y	1	L2N-5/16-PT1/4 Incl.67,68
4-67	066302	Sleeve	1	
4-68	066303	Nut	1	
4-69	567362	Stay	1	
4-70	158366	Tube	2	N2-1-5/16x400
4-71	567065	Frang Bolt(Hex)	4	M10x25(2)
4-72	567028	Washer	4	10.5x22xt3.2
4-73	567064	Frang Nut(Hex)	4	M10(2)

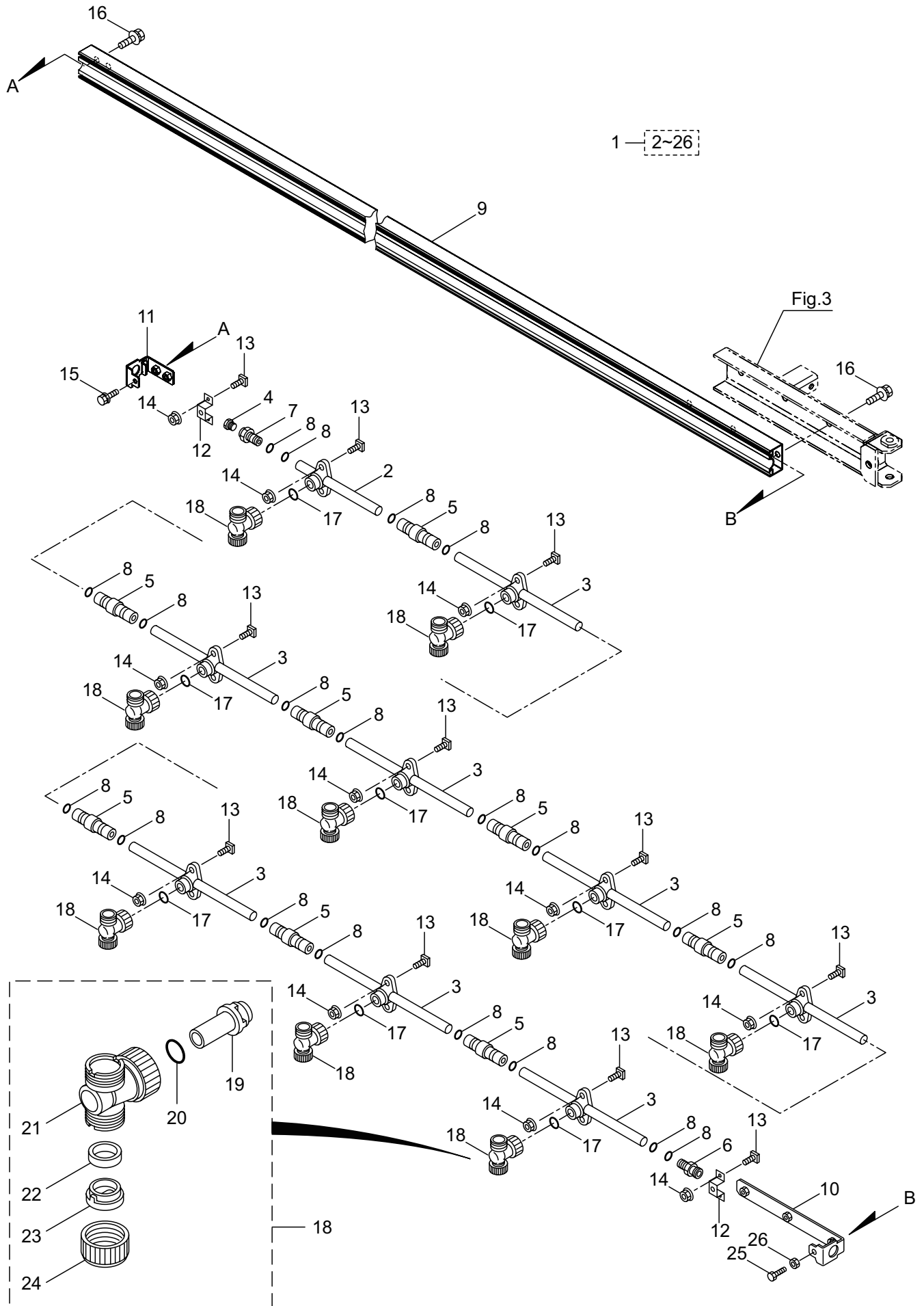
5. BSM301  
RIGHT BOOM





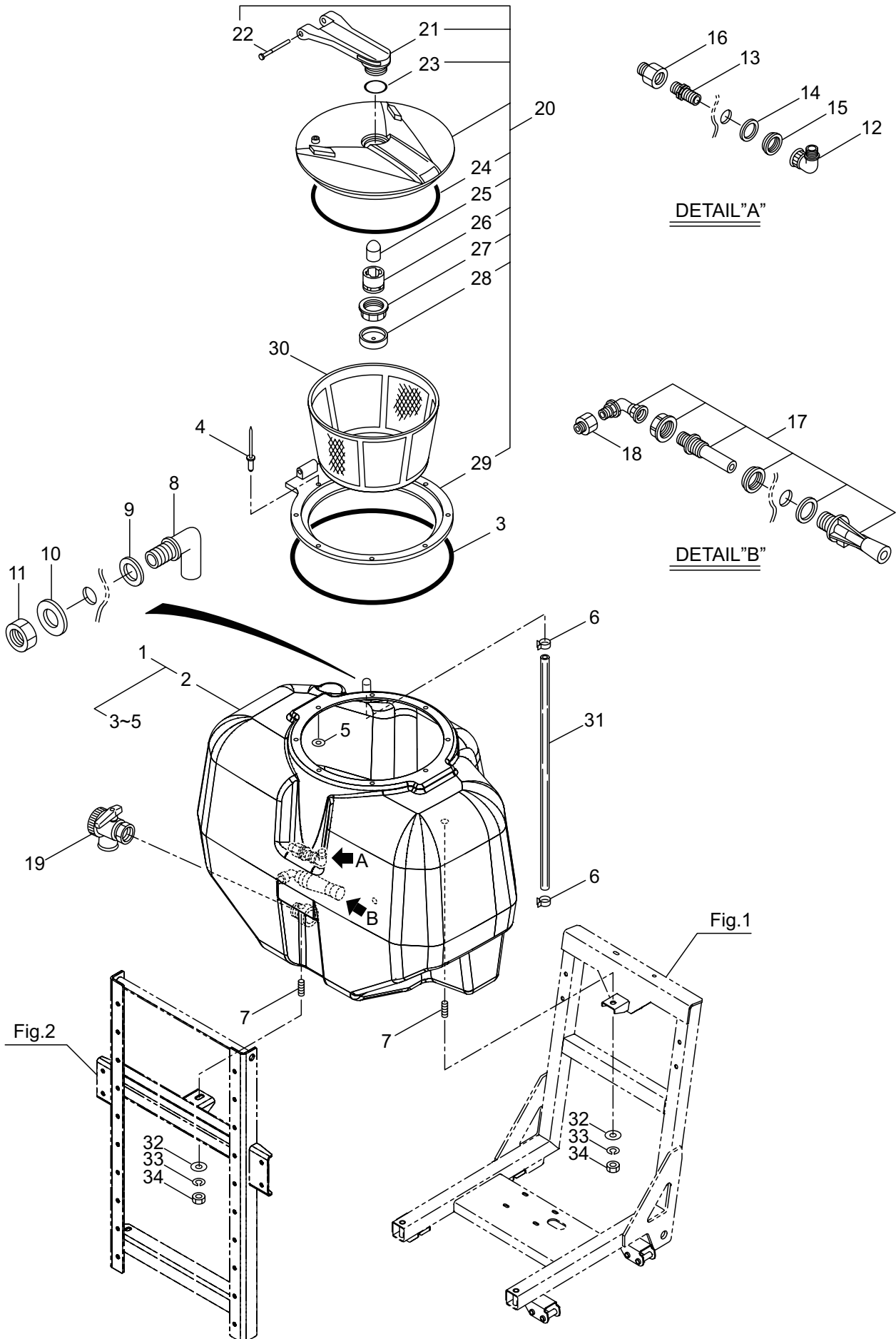
Ref. No.	Parts No.	Parts Name	Q'ty	Remarks
5-1	567372	Right Boom Ass'y	1	Incl.2-26
5-2	567179	Plug	1	R1/4
5-3	862195	Pipe	8	
5-4	862194	Pipe	1	
5-5	862196	Joint	8	
5-6	567163	End Clasp	1	G3/8
5-7	567178	End Clasp	1	RC1/4
5-8	011373	O-Ring	20	P-10
5-9	567177	Boom Pipe	1	2580L
5-10	567180	Bracekt Comp.	1	
5-11	567165	Bracket Comp.	1	
5-12	567168	Stay Comp.	2	
5-13	567170	Bolt(Square)	22	M5x12
5-14	567171	Frange Nut(Hex)	22	M5(1)
5-15	567172	Bolt(Hex)WSW	1	M6x14
5-16	567173	Bolt(Hex)WSW	5	M8x20
5-17	011345	O-Ring	9	P-12
5-18	567357	2 Direction Nozzle	9	Incl.19-24
5-19	177328	Valve	9	
5-20	011373	O-Ring	9	P-10
5-21	567218	Nozzle Holder Ass'y	9	
5-22	103171	Packing	9	
5-23	412893	Nozzle Disk	9	
5-24	100070	Cap	9	
5-25	567181	Bolt(Hex)	1	M6x20
5-26	567182	Nut(Hex)	1	M6(2)

6. BSM301  
LEFT BOOM



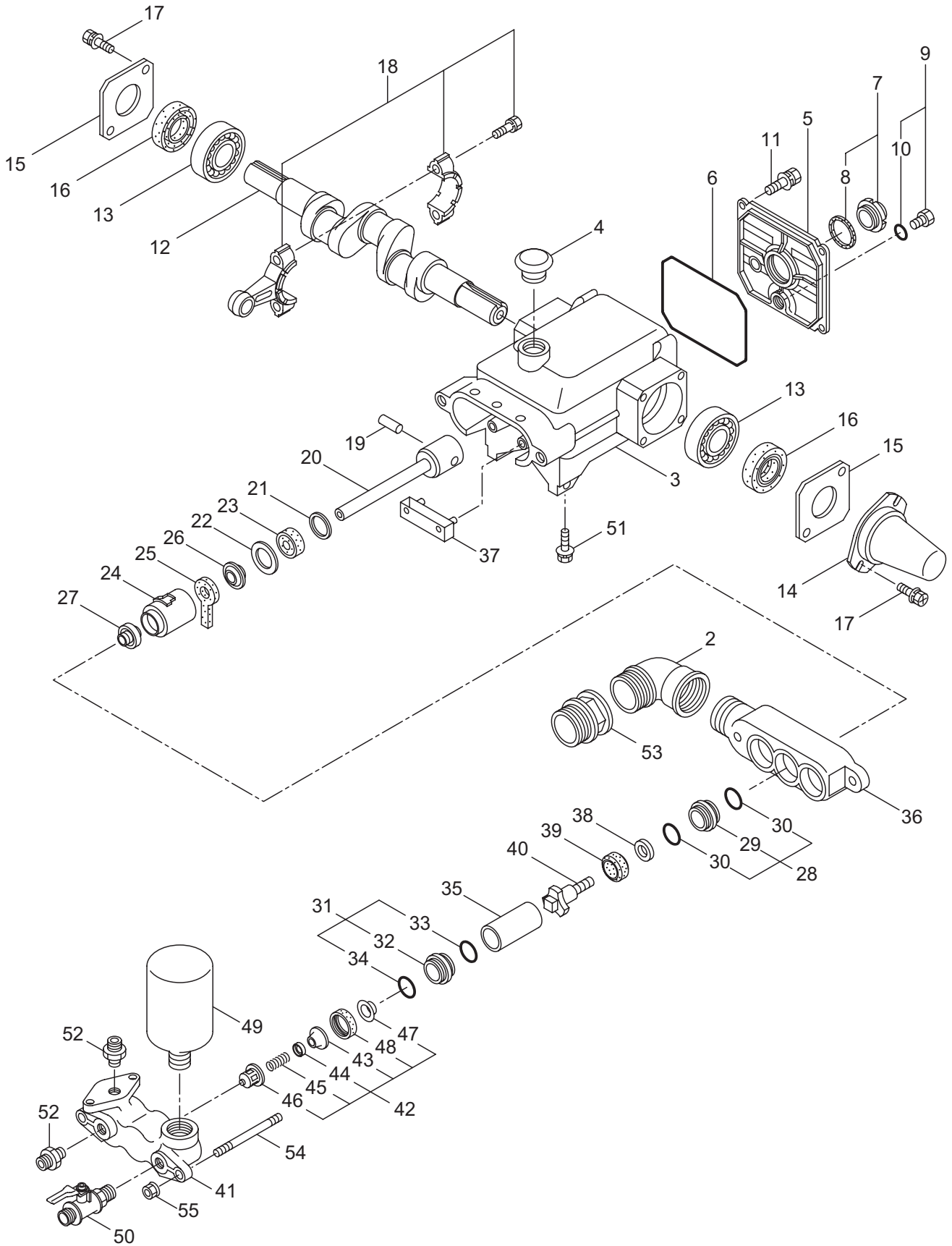
Ref. No.	Parts No.	Parts Name	Q'ty	Remarks
6-1	567373	Left Boom Ass'y	1	Incl.2-26
6-2	862194	Pipe	1	
6-3	862195	Pipe	8	
6-4	567179	Plug	1	R1/4
6-5	862196	Joint	8	
6-6	567163	End Clasp	1	G3/8
6-7	567178	End Clasp	1	RC1/4
6-8	011373	O-Ring	20	P-10
6-9	567177	Boom Pipe	1	2580L
6-10	567180	Bracekt Comp.	1	
6-11	567165	Bracket Comp.	1	
6-12	567168	Stay Comp.	2	
6-13	567170	Bolt(Square)	22	M5x12
6-14	567171	Frange Nut(Hex)	22	M5(1)
6-15	567172	Bolt(Hex)WSW	1	M6x14
6-16	567173	Bolt(Hex)WSW	5	M8x20
6-17	011345	O-Ring	9	P-12
6-18	567357	2 Direction Nozzle	9	Incl.19-24
6-19	177328	Valve	9	
6-20	011373	O-Ring	9	P-10
6-21	567218	Nozzle Holder Ass'y	9	
6-22	103171	Packing	9	
6-23	412893	Nozzle Disk	9	
6-24	100070	Cap	9	
6-25	567181	Bolt(Hex)	1	M6x20
6-26	567182	Nut(Hex)	1	M6(2)

7. BSM301  
CHEMICAL TANK



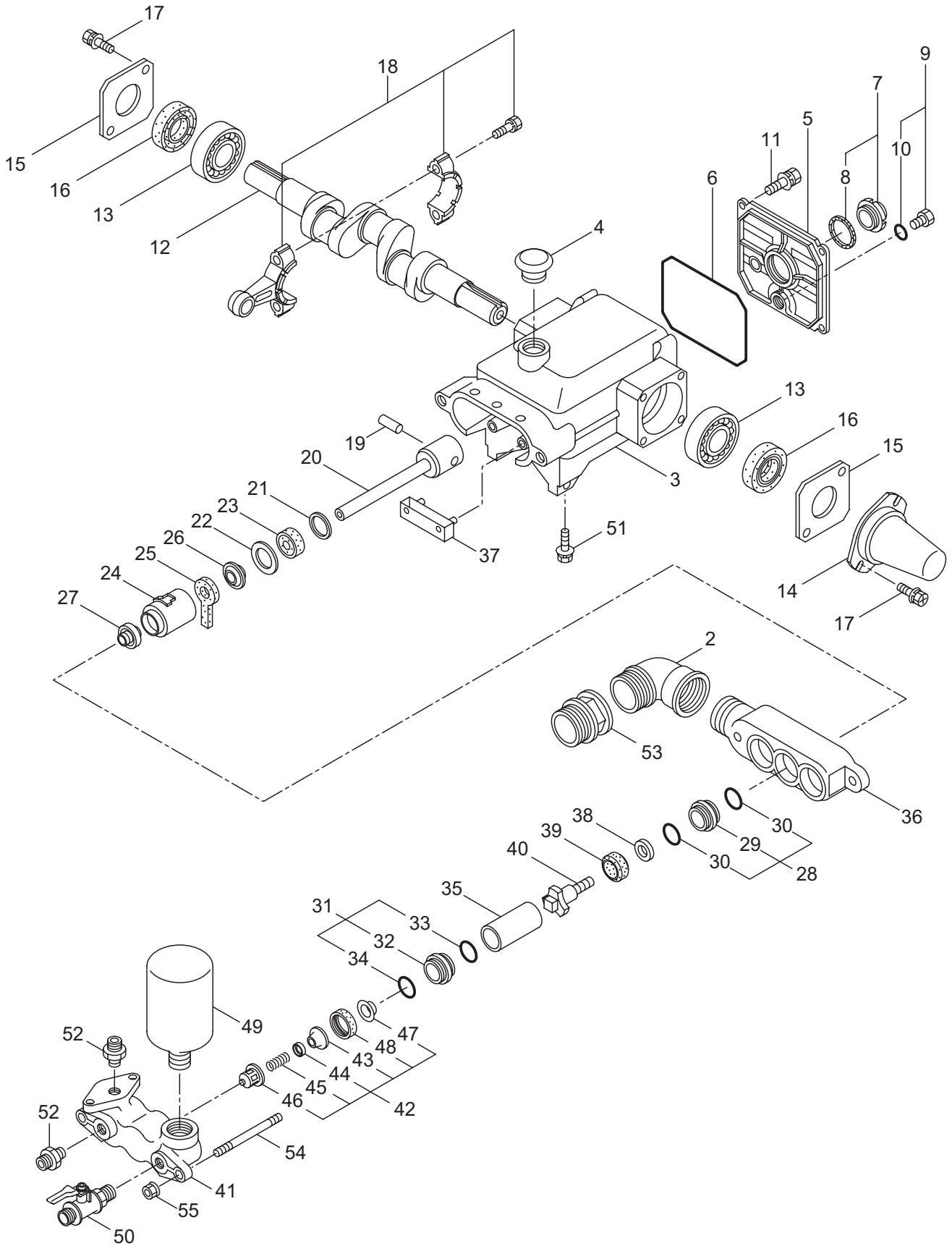
Ref. No.	Parts No.	Parts Name	Q'ty	Remarks
7-1	567225	Chemical Tank Ass'y	1	Incl.2-5
7-2	567226	Chemical Tank Comp.	1	
7-3	172197	Packing	1	
7-4	567071	Rivet	8	4.8x25L
7-5	567072	Washer	8	5.5x11.7xt0.8
7-6	567220	Wire Clip	2	18.7-19.6
7-7	567073	Stud Bolt	2	M12x28x15x22
7-8	150772	Elbow	2	
7-9	150773	Packing	2	17x25x4
7-10	567074	Washer	2	17x30xt3
7-11	567075	Nut(Hex)	2	G3/8
7-12	688377	Elbow	1	
7-13	567076	Nipple	1	
7-14	567077	Gasket	1	
7-15	567078	Lock Ring	1	
7-16	567079	Extension	1	G1/2xG3/8
7-17	567214	Jet Nozzle	1	
7-18	567079	Extension	1	G1/2xG3/8
7-19	567395	3-Way Ball Valves	1	
7-20	172203	Water Inlet Lid Ass'y	1	Incl.21-29
7-21	646624	Arm	1	
7-22	646625	Pin	1	
7-23	646626	O-Ring	1	
7-24	186835	Packing	1	
7-25	183682	Float	1	
7-26	646628	Float Case	1	
7-27	189950	Nut	1	
7-28	646629	Float Cap	1	
7-29	172196	Nut Ring	1	
7-30	162792	Strainer	1	
7-31	567081	Vinyl Hose	1	12x16x830L
7-32	567046	Washer	2	12.5x30xt3.2
7-33	567116	Spring Washer	2	M12(2)
7-34	567082	Nut(Hex)	2	M12(2)

# 8. BSM301 POWER SPRAYER



Ref. No.	Parts No.	Parts Name	Q'ty	Remarks
8-1	818565	MS330	1	
8-2	189464	Elbow	1	
8-3	125113	Crankcase	1	
8-4	117420	Oil Filler Cap	1	
8-5	830216	Rear Cover, Crankcase	1	
8-6	014041	O-Ring	1	S100
8-7	092241	Oil Gauge Ass'y	1	Incl.8
8-8	044428	Packing	1	25x34xt2
8-9	091376	Drain Plug	1	G1/4 Incl.10
8-10	023170	O-Ring	1	P12.5
8-11	125824	Bolt	4	M6x16
8-12	103921	Crankshaft	1	
8-13	014487	Bearing	2	#6304
8-14	025130	Shaft Protector	1	
8-15	117424	Plate	2	T1.2
8-16	117423	Oil Seal	2	TC20528
8-17	125824	Bolt	4	M6x16
8-18	048734	Connecting Rod Ass'y	3	
8-19	016948	Piston Pin	3	9x22L
8-20	131358	Piston Rod	3	
8-21	126259	Washer	3	17x24xt1.2
8-22	126189	Washer	3	20x28xt1.2
8-23	025461	Oil Seal	3	S10.5247
8-24	027710	Seal Retainer	3	
8-25	027711	Felt Packing	3	10x24x5
8-26	026853	Packing	3	
8-27	100015	Seal	3	
8-28	091109	Adapter Ass'y	3	Incl.29,30
8-29	016957	Adapter	3	
8-30	015862	O-Ring	6	P21
8-31	091108	Adapter Ass'y	3	Incl.32-34
8-32	022931	Adapter	3	
8-33	015862	O-Ring	3	P21
8-34	023172	O-Ring	3	P22
8-35	022929	Cylinder Pipe	3	25x28.5x55L
8-36	123765	Inlet Manifold	1	
8-37	027712	Oil Pan	1	
8-38	124277	Inlet Valve Seat	3	6.1x20xt2.8
8-39	116121	Piston Packing	3	
8-40	118628	Piston Retainer	3	
8-41	130150	Discharge Manifold	1	
8-42	105510	Discharge Valve Ass'y	3	Incl.43-48
8-43	105511	Discharge Valve Seat	3	
8-44	022842	Discharge Valve	3	
8-45	022031	Spring	3	

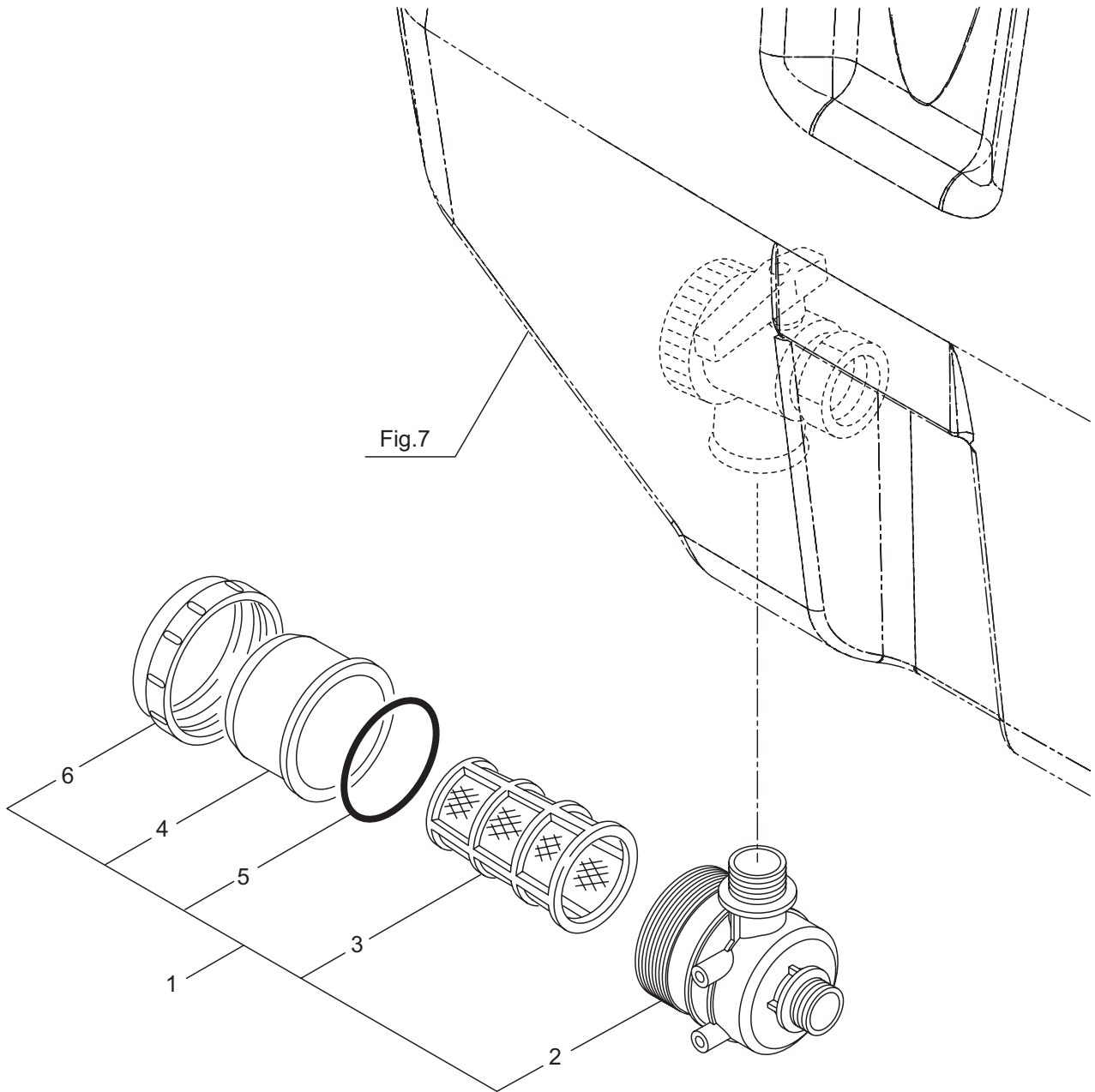
# 8. BSM301 POWER SPRAYER





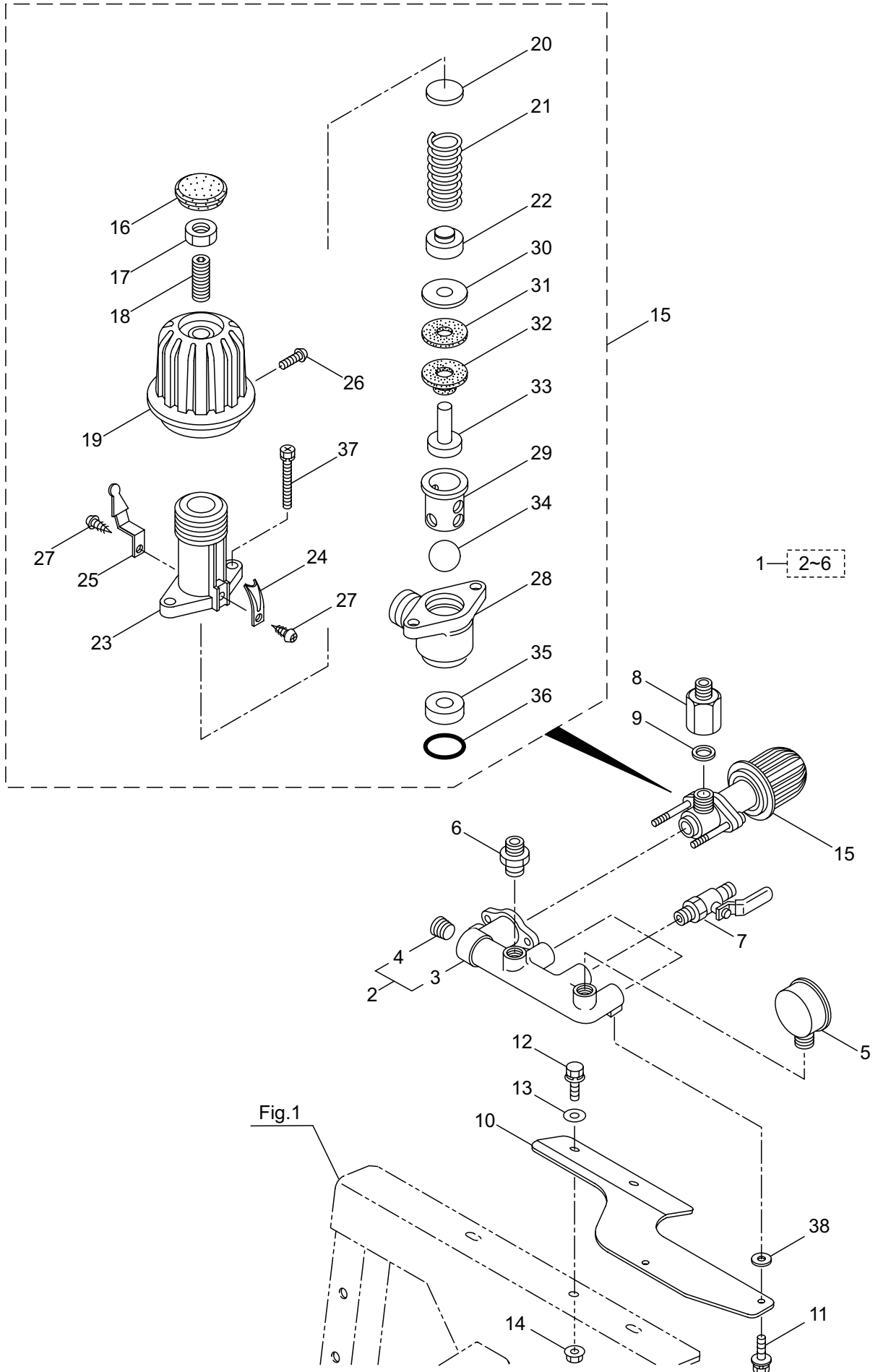
Ref. No.	Parts No.	Parts Name	Q'ty	Remarks
8-46	105512	Retainer	3	
8-47	105513	Packing Ring	3	
8-48	105514	Valve Case	3	
8-49	117813	Air Chamber	1	
8-50	117609	Cock Ass'y	1	G1/4xR1/4
8-51	567035	Bolt(Hex)WSW	4	M8x25
8-52	130152	Nipple	2	R1/4xG3/8
8-53	567034	Femalereducer Nipple	1	
8-54	127331	Stud	2	M8x150x11x18
8-55	126201	Nut	2	M8

9. BSM301  
STRAINER



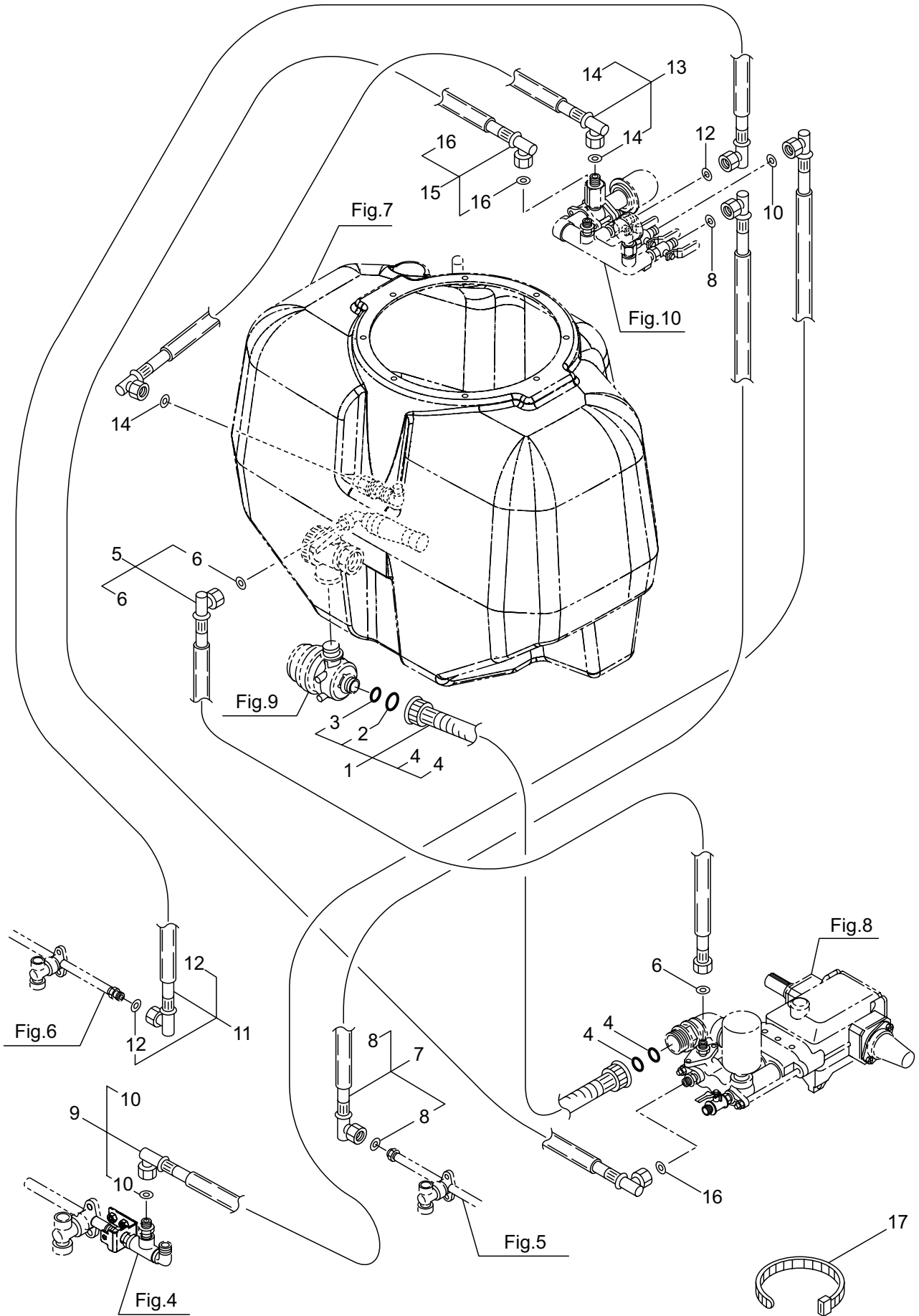
Ref. No.	Parts No.	Parts Name	Q'ty	Remarks
9-1	567320	Suction Filters	1	Incl.2-6
9-2	567321	Body	1	
9-3	567322	Strainer	1	#80 Yellow
9-4	567323	Cap	1	
9-5	567292	O-Ring	1	
9-6	161304	Nut	1	

10. BSM301  
WATER DIVERSION



Ref. No.	Parts No.	Parts Name	Q'ty	Remarks
10-1	567084	Water Diversion Ass'y	1	Incl.2-6
10-2	567085	Water Diversion Ass'y	1	Incl.3,4
10-3	567086	Water Diversion	1	
10-4	863966	Plug	1	R1/2
10-5	567087	Pressure Gauge	1	
10-6	567088	Nipple	1	R3/8xG3/8
10-7	120835	Ball Cock	3	G3/8xR3/8
10-8	567079	Extension	1	G1/2xG3/8
10-9	567090	Gasket	1	12x18.5xt3
10-10	567364	Bracket	1	
10-11	567172	Bolt(Hex)WSW	2	M6x14
10-12	567035	Bolt(Hex)WSW	2	M8x25
10-13	567094	Washer	2	8.5x25xt2.3
10-14	567095	Frang Nut(Hex)	2	M8(2)
10-15	130196	Pressure Regulator Valve Ass'y	1	Incl.16-37
10-16	105518	Cap	1	
10-17	126195	Nut	1	M10
10-18	088975	Screw	1	M10x49
10-19	130197	Grip	1	
10-20	126196	Retainer	1	17x2.3
10-21	105520	Spring	1	
10-22	105521	Retainer	1	
10-23	117448	Case	1	
10-24	117440	Plate	1	
10-25	105524	Indicator	1	
10-26	089899	Tapping Screw	2	M4x13
10-27	127284	Tapping Screw	2	M4x6
10-28	117442	Body	1	
10-29	012256	Retainer	1	
10-30	012255	Washer	1	6.2x22xt0.6
10-31	016972	Bellows Packing	1	5x22x1.5
10-32	011451	Bellows	1	
10-33	016975	Valve Rod	1	
10-34	107238	Valve Ball	1	12.7(1/2)
10-35	117443	Valve Seat	1	
10-36	014179	O-Ring	1	P20
10-37	126197	Bolt	2	M6x55
10-38	567156	Washer	2	8.5x18xt1.6

11. BSM301  
CHEMICAL PIPING



Ref. No.	Parts No.	Parts Name	Q'ty	Remarks
11-1	567243	Suction Hose Comp.	1	25x130L Incl.2-4
11-2	161308	O-Ring	1	
11-3	161307	O-Ring	1	
11-4	161309	O-Ring	2	
11-5	567191	Hose Comp.	1	10x1Bx380L Incl.6
11-6	111569	Packing	2	9.5x15x1.5
11-7	567375	Hose Comp.	1	10x1Bx2200L Incl.8
11-8	111569	Packing	2	9.5x15x1.5
11-9	567378	Hose Comp.	1	10x1Bx1700L Incl.10
11-10	111569	Packing	2	9.5x15x1.5
11-11	567381	Hose Comp.	1	10x1Bx3000L Incl.12
11-12	111569	Packing	2	9.5x15x1.5
11-13	567384	Hose Comp.	1	10x1Bx1050L Incl.14
11-14	111569	Packing	2	9.5x15x1.5
11-15	567387	Hose Comp.	1	10x1Bx1330L Incl.16
11-16	111569	Packing	2	9.5x15x1.5
11-17	567215	Band	12	CV-350B

# 12. BSM301 LABEL, ACCESSORIES

1

**警告**

- ・服装は、体にあったものを着用して下さい。保護着・保護マスク・保護メガネ・ゴム手袋・作業靴（長靴）等を用意し、安全な服装で作業すること。
- ・飲料水源及び生物を飼育している湖沼からの直接給水は絶対に行わないこと。
- ・散布計画を立て、薬剤は余らないようにすること。
- ・スプレーヤの取付け、取外しを行う場合は、薬剤タンクを空の状態で行うこと。
- ・転落事故のおそれがあるため、急発進・急旋回・急制動は行わないこと。

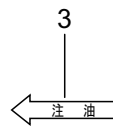
P/N. 587346

2

**注意**

**薬剤の取扱い注意**

- ・使用する薬剤の取扱説明書をよく読んで正しく使用すること。
- ・散布する高さを調節する時は、安全のため3人で行うこと。
- ・作業時に噴霧用ポンプのオイル点検を行うこと。



4

閉 ↑ 右ノズル ↓ 開

閉 ↑ 中ノズル ↓ 開

閉 ↑ 左ノズル ↓ 開

5

**送液バルブの取扱い方**

運転前に送液バルブが開いているか確認してください。

送液バルブ

閉

**吸水ストレーナの点検・清掃**

作業終了後、キャップを外しサクションストレーナの点検・清掃を行います。終了後は、リングの脱落に注意しキャップを確実に締めてください。

開

サクションストレーナ

リング

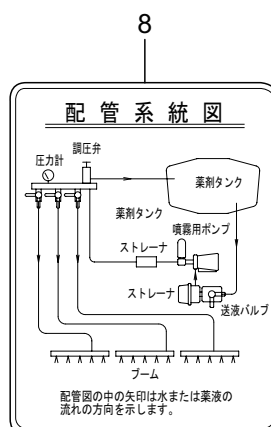
6

常用圧力 1.5~2.0 MPa

7

**取扱要領**

散布作業を停止、もしくは終了させる場合は、調圧ダイヤルを左いっぱいに戻し、圧力を下げたからPTOを切ること。



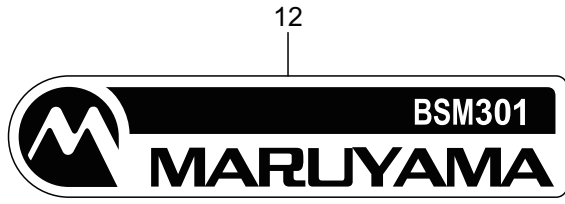
9

**注意**

ローリングを上げすぎると、トラクタと接触し、トラクタまたはブームスプレーヤを破損させるおそれがあります。

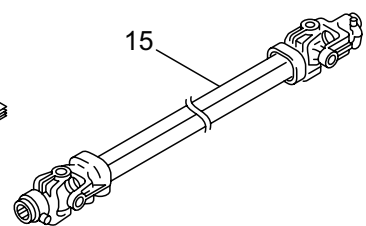
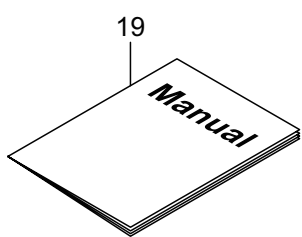
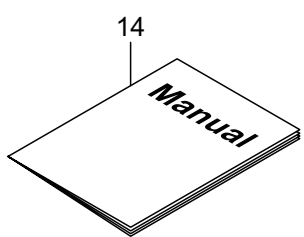
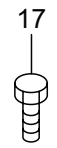
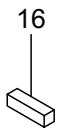
10

PTO  
580~820rpm



13

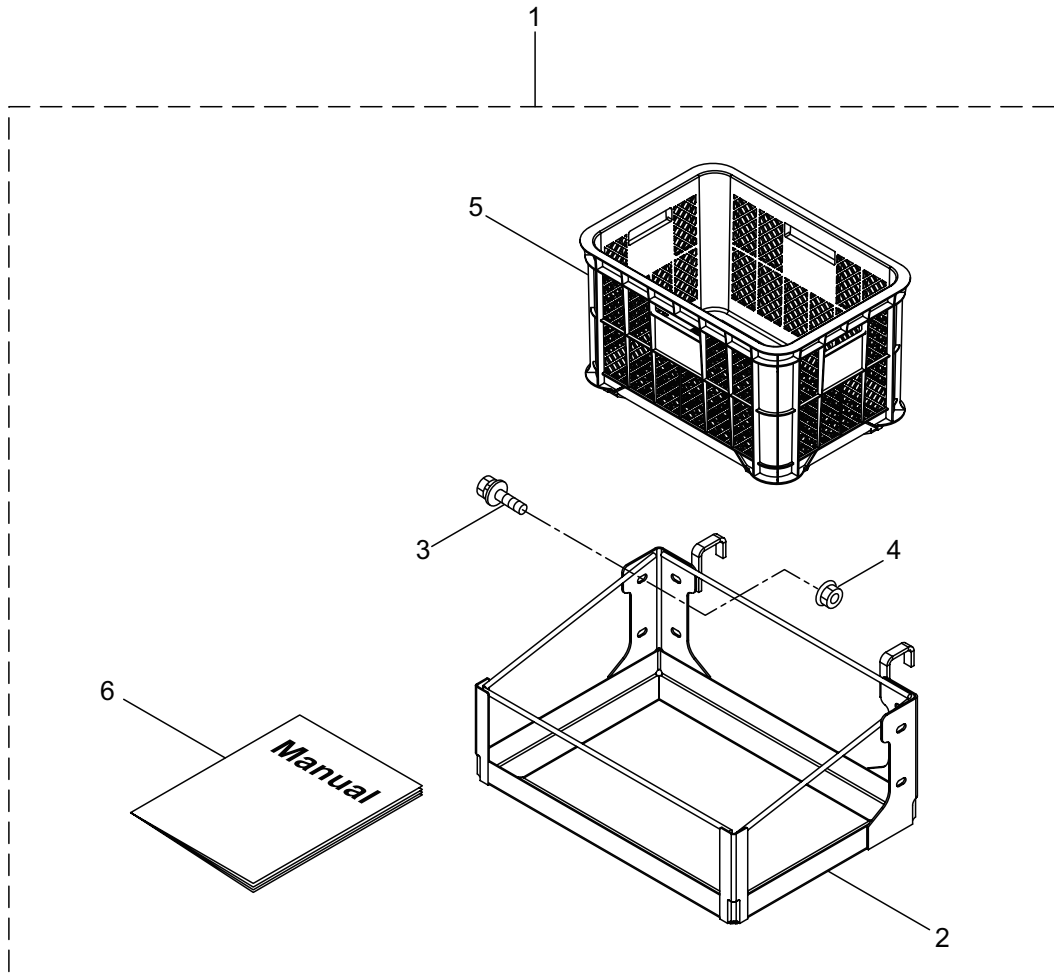
常用圧力 1.5 MPa





Ref. No.	Parts No.	Parts Name	Q'ty	Remarks
12-1	567345	Label	1	Warning
12-2	567346	Label	1	Caution
12-3	567338	Label	1	Lubrication
12-4	567343	Label	1	Operation Nozzle
12-5	567342	Label	1	How To
12-6	567339	Label	1	Pressure
12-7	567340	Label	1	Instruction
12-8	567341	Label	1	Piping Chart
12-9	567344	Label	1	Lowerlink
12-10	567238	Label	1	PTO
12-11	567306	Label	1	Red Zone
12-12	567392	Label	2	BSM301 M
12-13	186992	Label	1	
12-14	567394	Instruction Manual	1	BSM301MLJP
12-15	567329	Universal Joint	1	
12-16	567183	Key	1	5x5x25
12-17	567184	Bolt(Hex)	1	M8x35
12-18	567167	Nut(Hex)	1	M8(2)
12-19	567396	Instruction Manual	1	BSM301MLJP

13. BSM301  
OPTION (Container Box)



Ref. No.	Parts No.	Parts Name	Q'ty	Remarks
13-1	869347	Container Box Ass'y	1	Incl.2-6
13-2	869348	Bracket	1	
13-3	092589	Bolt	4	M10x25
13-4	865386	Nut	4	M10
13-5	866197	Container Box	1	
13-6	869355	Installation Manual	1	Container Box