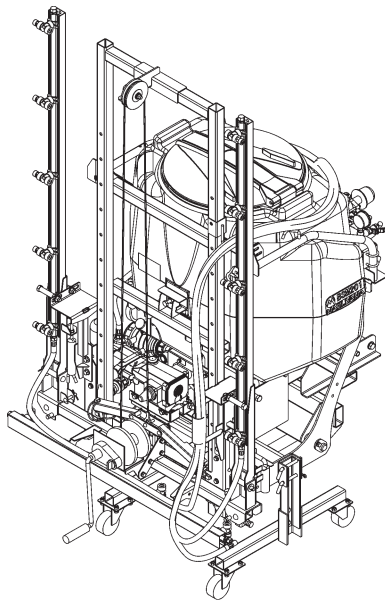


PARTS LIST

BSM201-2JP/BSM201-3JP



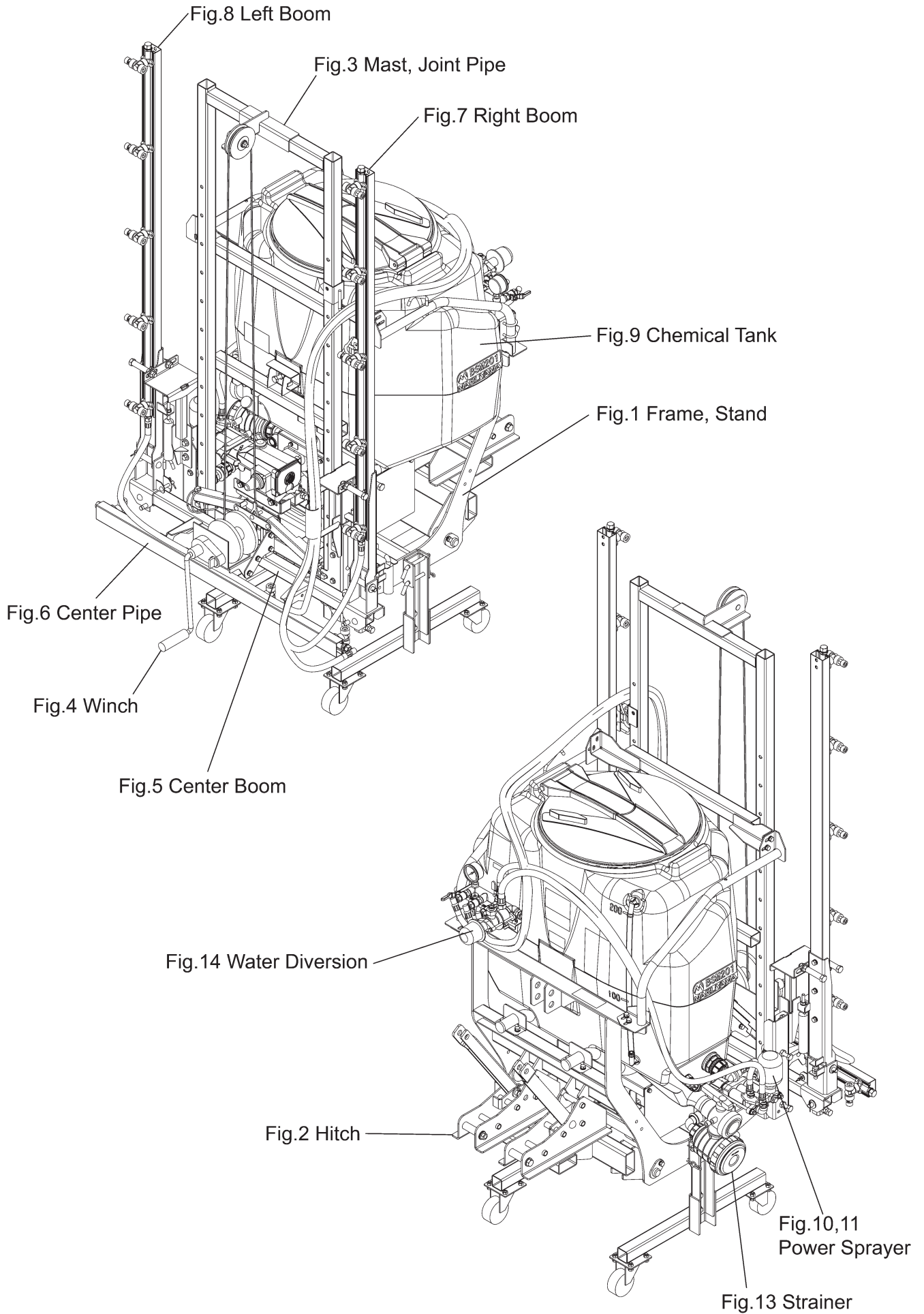
2015.05.



MARUYAMA

P/N 523967

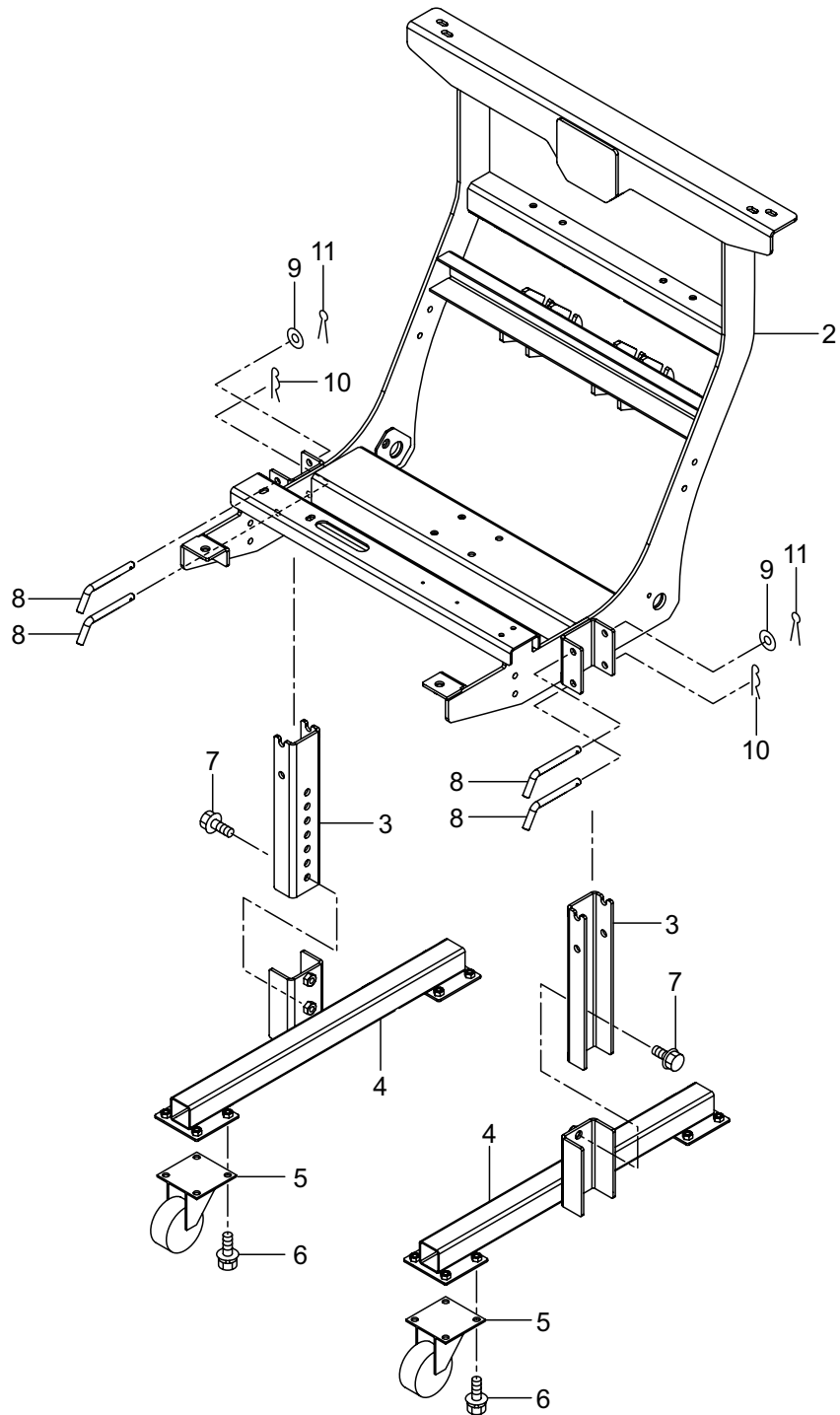
BSM201-2JP/BSM201-3JP NAMES OF THE PARTS



CONTENTS

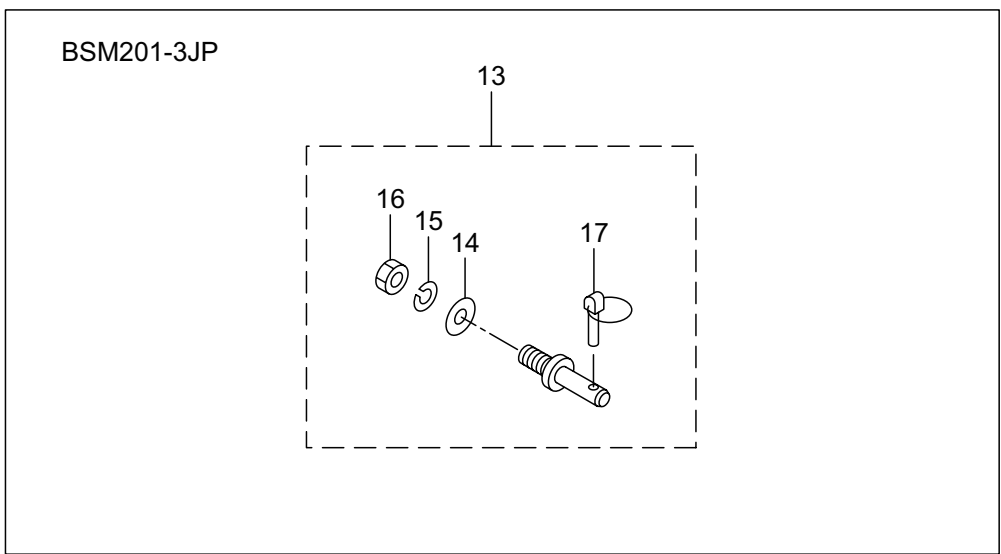
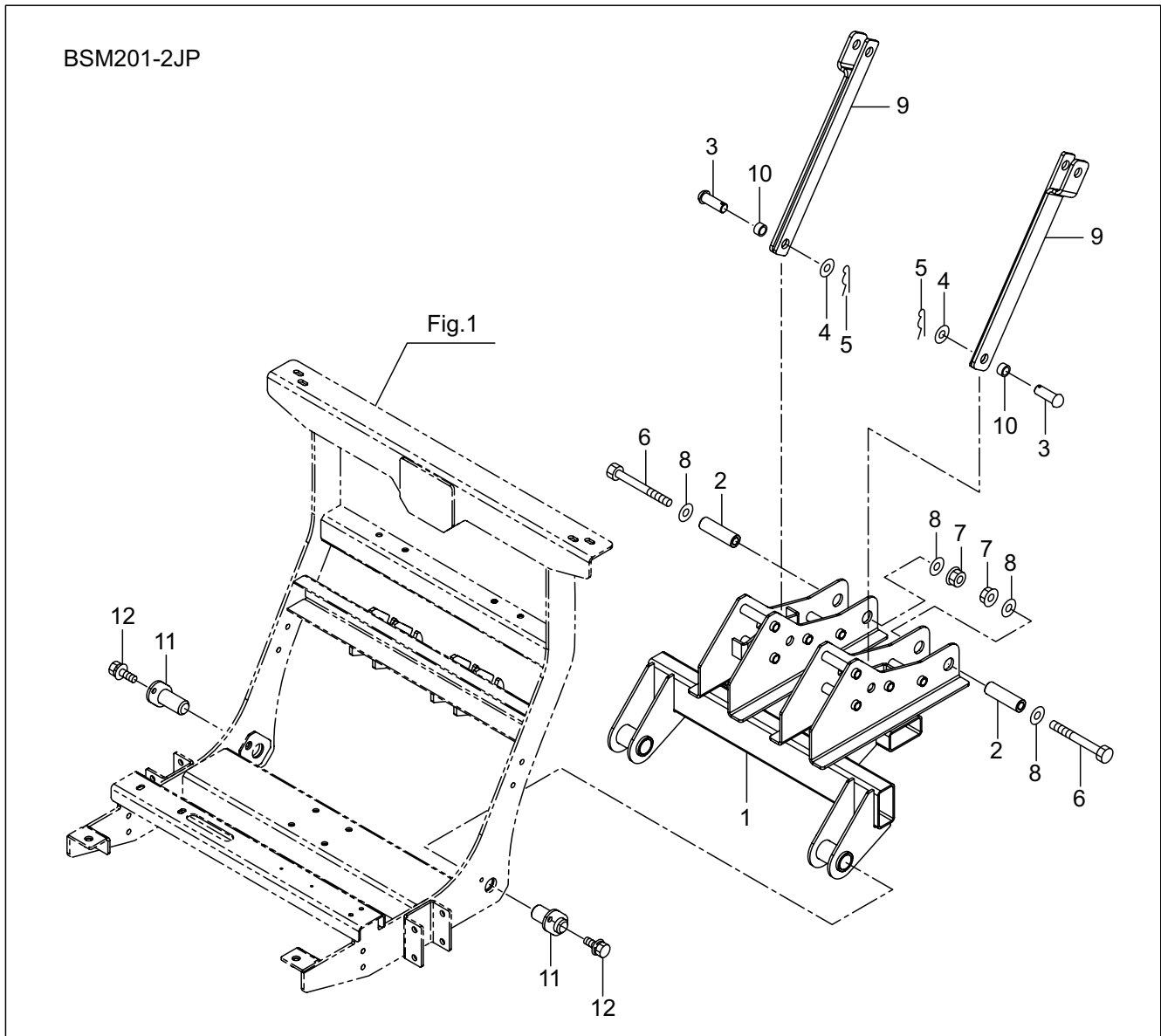
1.FRAME, STAND.....	4
2.HITCH	6
3.MAST, JOINT PIPE	8
4.WINCH.....	10
5.CENTER BOOM.....	12
6.CENTER PIPE.....	14
7.RIGHT BOOM	16
8.LEFT BOOM.....	18
9.CHEMICAL TANK	20
10.POWER SPRAYER-1.....	22
11.POWER SPRAYER-2.....	26
12.DRIVEN UNIT.....	28
13.STRAINER.....	30
14.WATER DIVERSION.....	32
15.CHEMICAL PIPING.....	34
16.LABEL.....	36
17.ACCESSORIES.....	38
18.OPTION-1.....	40
19.OPTION-2.....	42
20.OPTION-3.....	46

1. BSM201-2JP/BSM201-3JP
FRAME, STAND



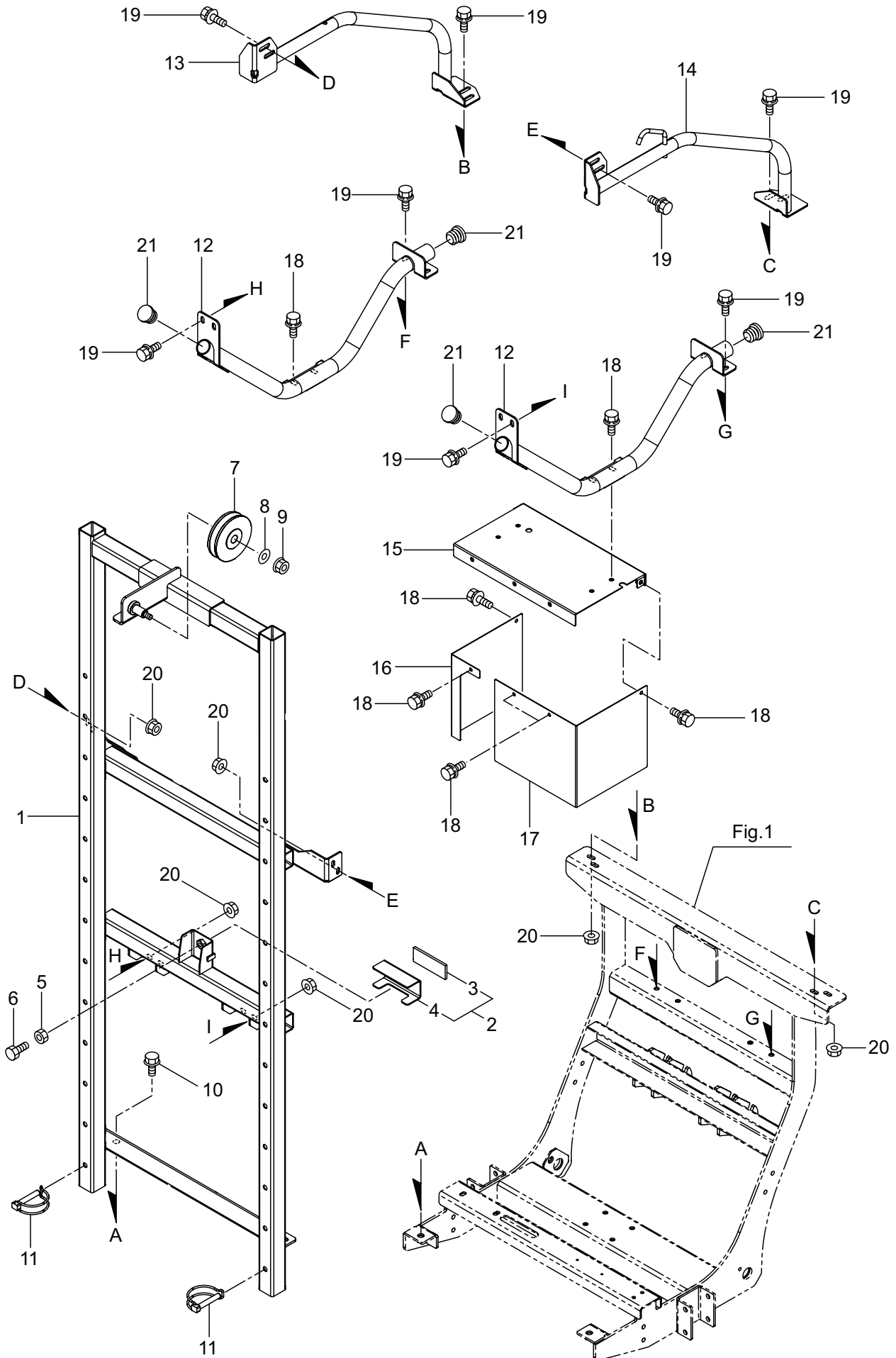
Ref. No.	Parts No.	Parts Name	Q'ty		Remarks
			2JP	3JP	
1-1	328269	BSM201-2JP	1		
1-1	328270	BSM201-3JP		1	
1-2	567416	Frame Ass'y	1	1	
1-3	567466	Stay	2	2	
1-4	567467	Square Pipe Comp.	2	2	
1-5	567819	Caster	4	4	
1-6	567173	Bolt(Hex)WSW	16	16	M8X20
1-7	567065	Flange Bolt(Hex)	4	4	M10X25(2)
1-8	567030	Stand Pin	4	4	
1-9	567028	Washer	2	2	10.5X22XT3.2
1-10	567031	Snap Pin	2	2	12X2.6
1-11	567140	Split Pin	2	2	3X28

2. BSM201-2JP/BSM201-3JP
HITCH



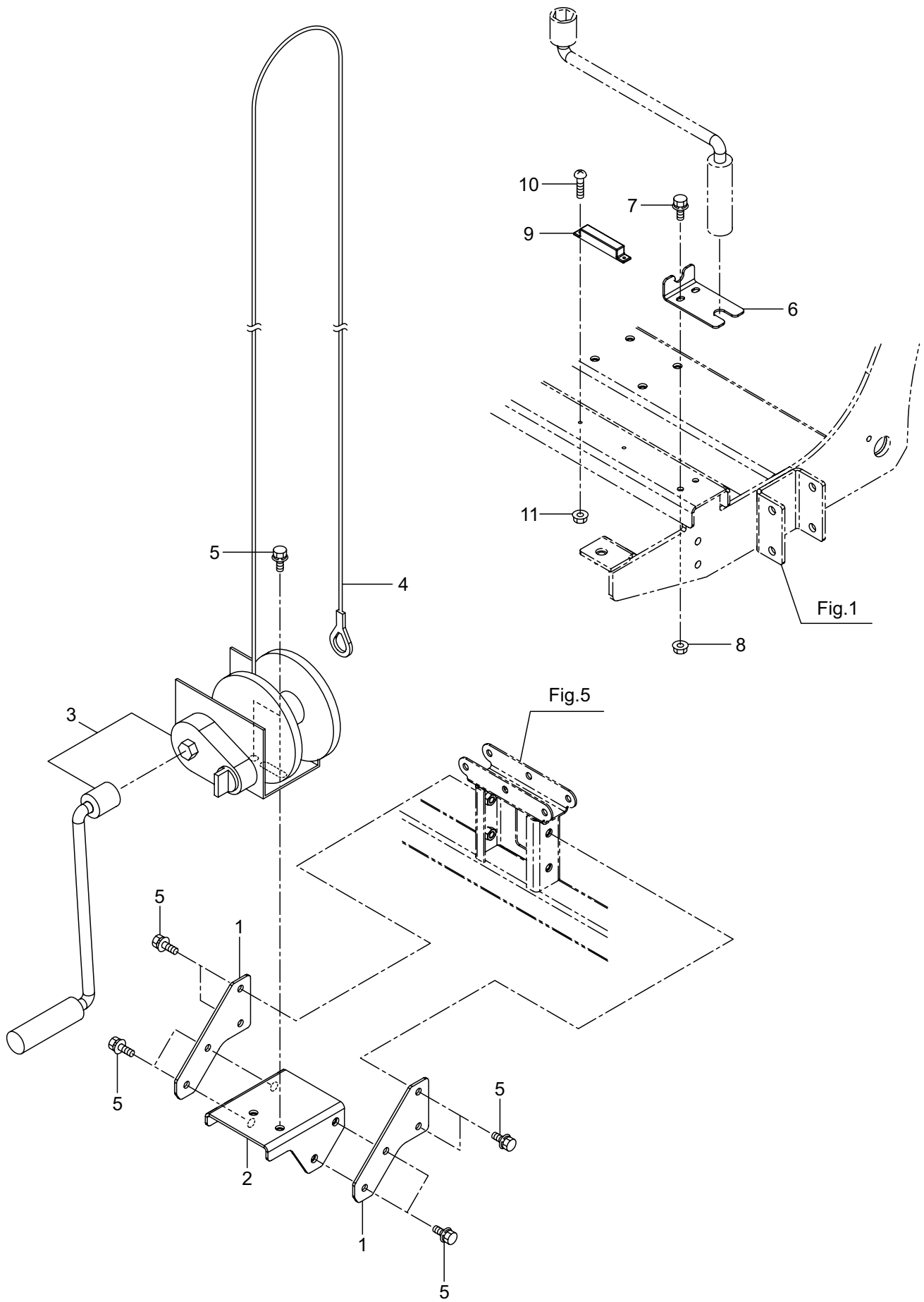
Ref. No.	Parts No.	Parts Name	Q'ty		Remarks
			2JP	3JP	
2-1	567435	Frame Comp.	1		
2-2	567446	Collar	2		
2-3	567447	Round Rivet	2		16X45L
2-4	567074	Washer	2		17X30XT3
2-5	567031	Snap Pin	2		12X2.6
2-6	567448	Bolt(Hex)	2		M12X90X30
2-7	567048	Flange Nut(Hex)	2		M12(2)
2-8	567152	Washer	4		12.5X26XT2.3
2-9	567449	Bracket Comp.	2		
2-10	567452	Collar	2		
2-11	567453	Pin Comp.	2		
2-12	567173	Bolt(Hex)WSW	2		M8X20
2-13	567016	Pin Ass'y		2	Incl.14-17
2-14	567018	Washer		2	22.5X44XT3.2
2-15	567019	Spring Washer		2	M22(2)
2-16	567020	Nut(Hex)		2	M22X1.5(1)
2-17	567021	Pin.set		2	

3. BSM201-2JP/BSM201-3JP
 MAST, JOINT PIPE



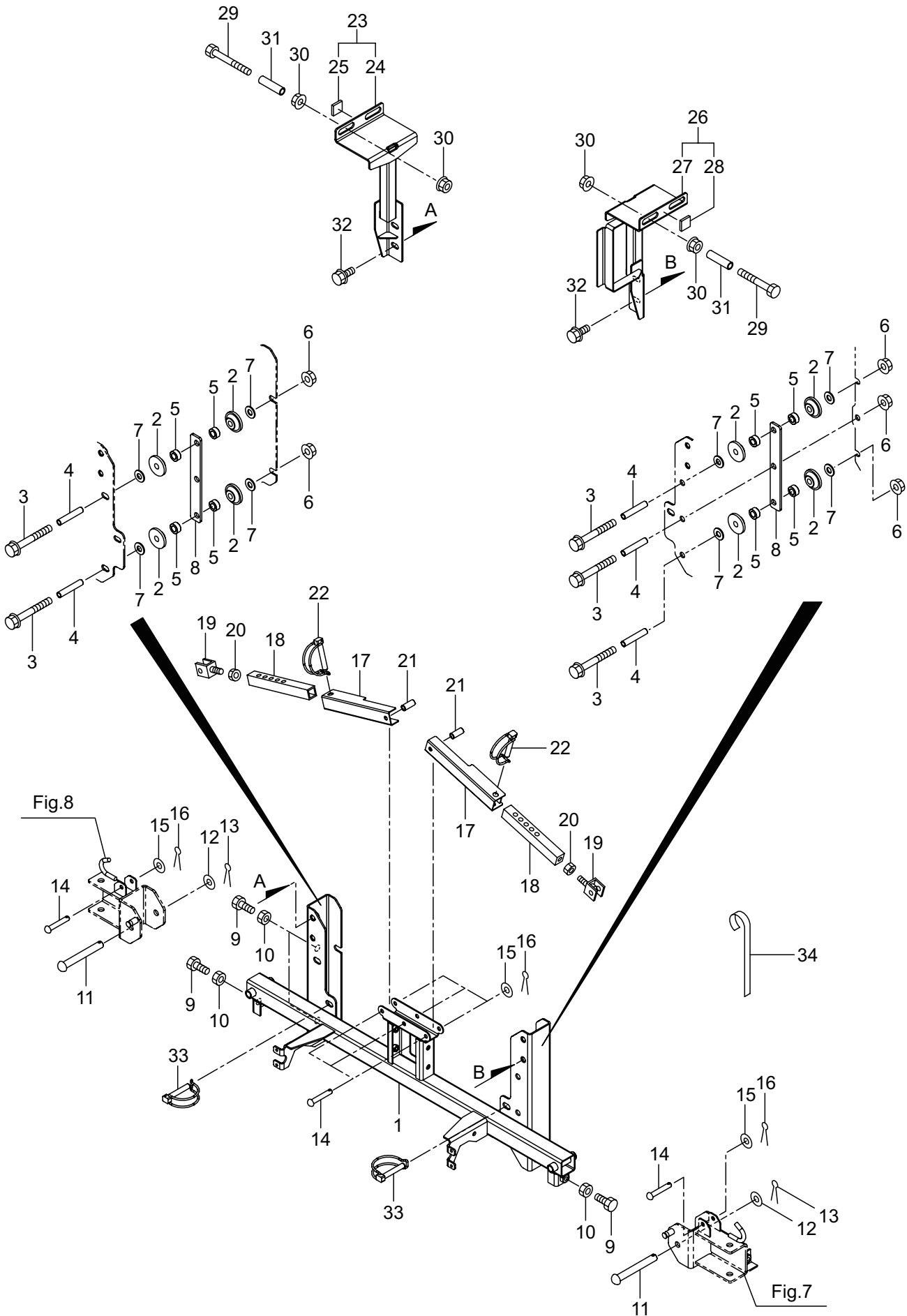
Ref. No.	Parts No.	Parts Name	Q'ty		Remarks
			2JP	3JP	
3-1	567603	Mast Comp.	1	1	
3-2	567618	Bracket Ass'y	1	1	Incl.3,4
3-3	567619	Packing	1	1	
3-4	567620	Bracket Comp.	1	1	
3-5	567143	Nut(Hex)	1	1	M10(2)
3-6	567461	Bolt(Hex)	1	1	M10X35
3-7	567614	Wire Roller	1	1	
3-8	567028	Washer	1	1	10.5X22XT3.2
3-9	567064	Flange Nut(Hex)	1	1	M10(2)
3-10	567065	Flange Bolt(Hex)	2	2	M10X25(2)
3-11	567141	Shaft Lock Pin	2	2	
3-12	567489	Pipe Comp.	2	2	
3-13	567494	Pipe Comp.	1	1	
3-14	567497	Pipe Comp.	1	1	
3-15	567500	Stay Comp.	1	1	
3-16	567501	Cover	1	1	
3-17	567502	Cover	1	1	
3-18	567092	Bolt(Hex)WSW	9	9	M6X16
3-19	567173	Bolt(Hex)WSW	16	16	M8X20
3-20	567095	Flange Nut(Hex)	12	12	M8(2)
3-21	567404	Cap	4	4	

4. BSM201-2JP/BSM201-3JP
WINCH



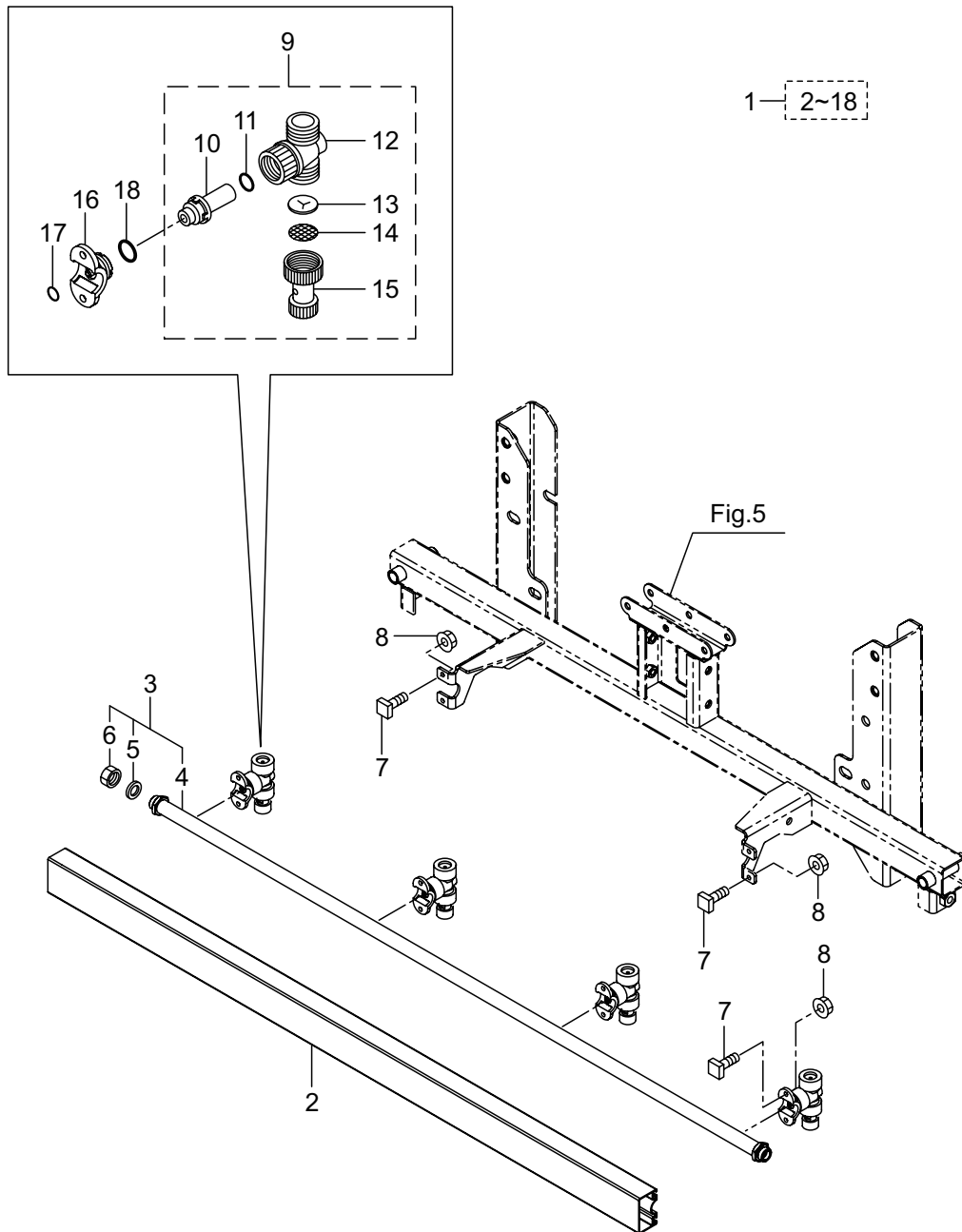
Ref. No.	Parts No.	Parts Name	Q'ty		Remarks
			2JP	3JP	
4-1	567623	Plate	2	2	
4-2	567624	Stay Comp.	1	1	
4-3	567626	Hand Winch	1	1	
4-4	567627	Winch Wire	1	1	4X3.4M
4-5	567173	Bolt(Hex)WSW	10	10	M8X20
4-6	567821	Stay	1	1	
4-7	567092	Bolt(Hex)WSW	2	2	M6X16
4-8	567508	Flange Nut(Hex)	2	2	M6(2)
4-9	175457	Magnet Catch	1	1	
4-10	867365	Screw	2	2	M3X16
4-11	180140	Nut	2	2	M3

5. BSM201-2JP/BSM201-3JP
CENTER BOOM



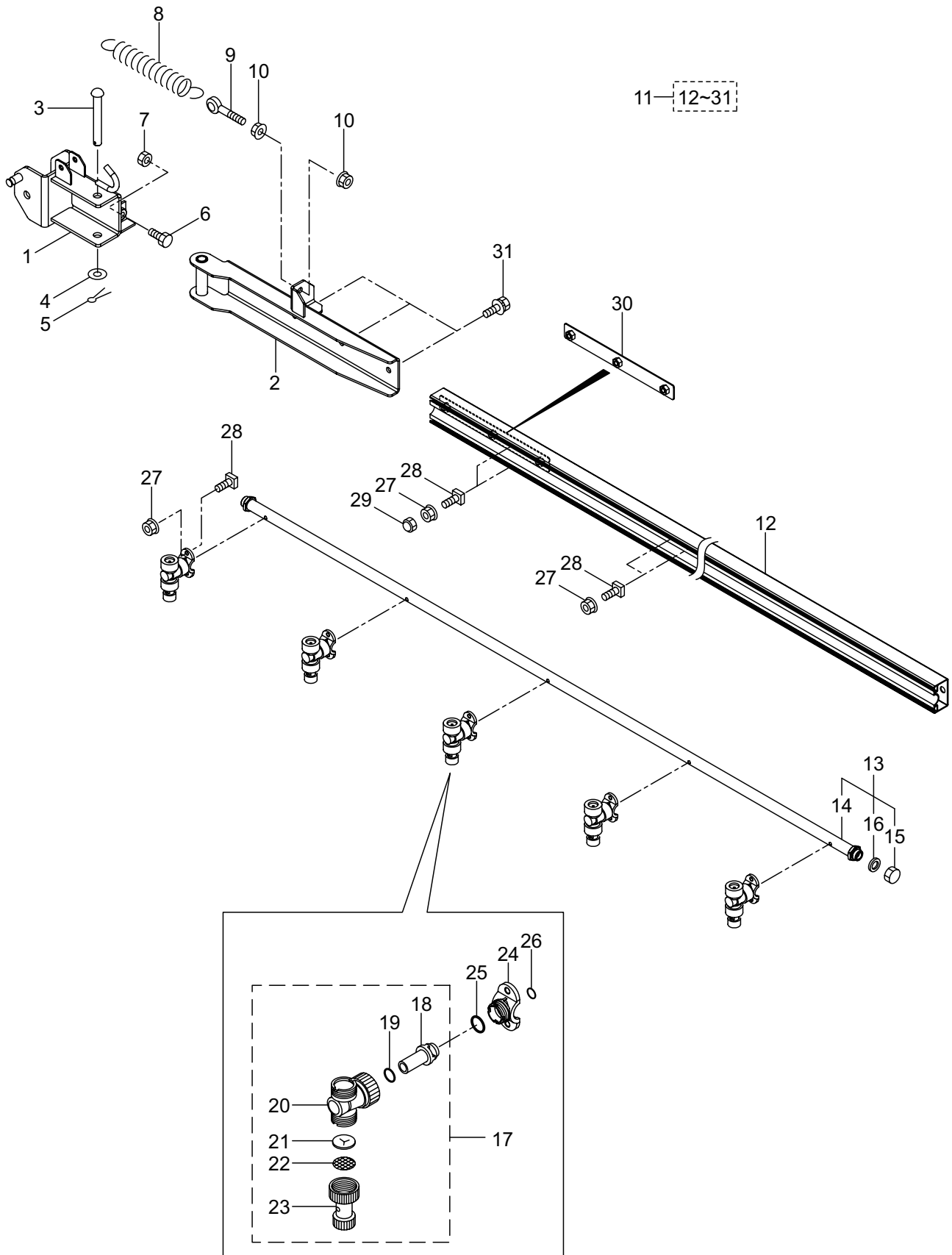
Ref. No.	Parts No.	Parts Name	Q'ty		Remarks
			2JP	3JP	
5-1	567540	Center Boom Comp.	1	1	
5-2	567552	Roller	8	8	
5-3	881099	Bolt	5	5	M8X75
5-4	567554	Collar	5	5	8.8X12X64L
5-5	567555	Collar	8	8	
5-6	567095	Flange Nut(Hex)	5	5	M8(2)
5-7	567152	Washer	8	8	12.5X26XT2.3
5-8	567556	Plate	2	2	
5-9	567142	Bolt(Hex)	4	4	M10X45
5-10	567143	Nut(Hex)	4	4	M10(2)
5-11	567151	Round Rivet	2	2	12X92.5L
5-12	567152	Washer	2	2	12.5X26XT2.3
5-13	567140	Split Pin	2	2	3X28
5-14	567557	Round Rivet	5	5	8X48L
5-15	567156	Washer	5	5	8.5X18XT1.6
5-16	567140	Split Pin	5	5	3X28
5-17	567558	Stay Comp.	2	2	
5-18	567562	Square Pipe Comp.	2	2	
5-19	567565	Bolt Comp.	2	2	
5-20	567143	Nut(Hex)	2	2	M10(2)
5-21	567566	Collar	2	2	8.8X12X28L
5-22	567141	Shaft Lock Pin	2	2	
5-23	567567	Square Pipe Ass'y	1	1	Incl.24,25
5-24	567569	Square Pipe Comp.	1	1	
5-25	567568	Packing	1	1	25X25XT5
5-26	567573	Square Pipe Ass'y	1	1	Incl.27,28
5-27	567574	Square Pipe Comp.	1	1	
5-28	567568	Packing	1	1	25X25XT5
5-29	567448	Bolt(Hex)	4	4	M12X90X30
5-30	567048	Flange Nut(Hex)	8	8	M12(2)
5-31	567285	Hose	4	4	11.5X16X60L
5-32	567065	Flange Bolt(Hex)	4	4	M10X25(2)
5-33	567141	Shaft Lock Pin	2	2	
5-34	862939	Magic Band	2	2	

6. BSM201-2JP/BSM201-3JP
CENTER PIPE



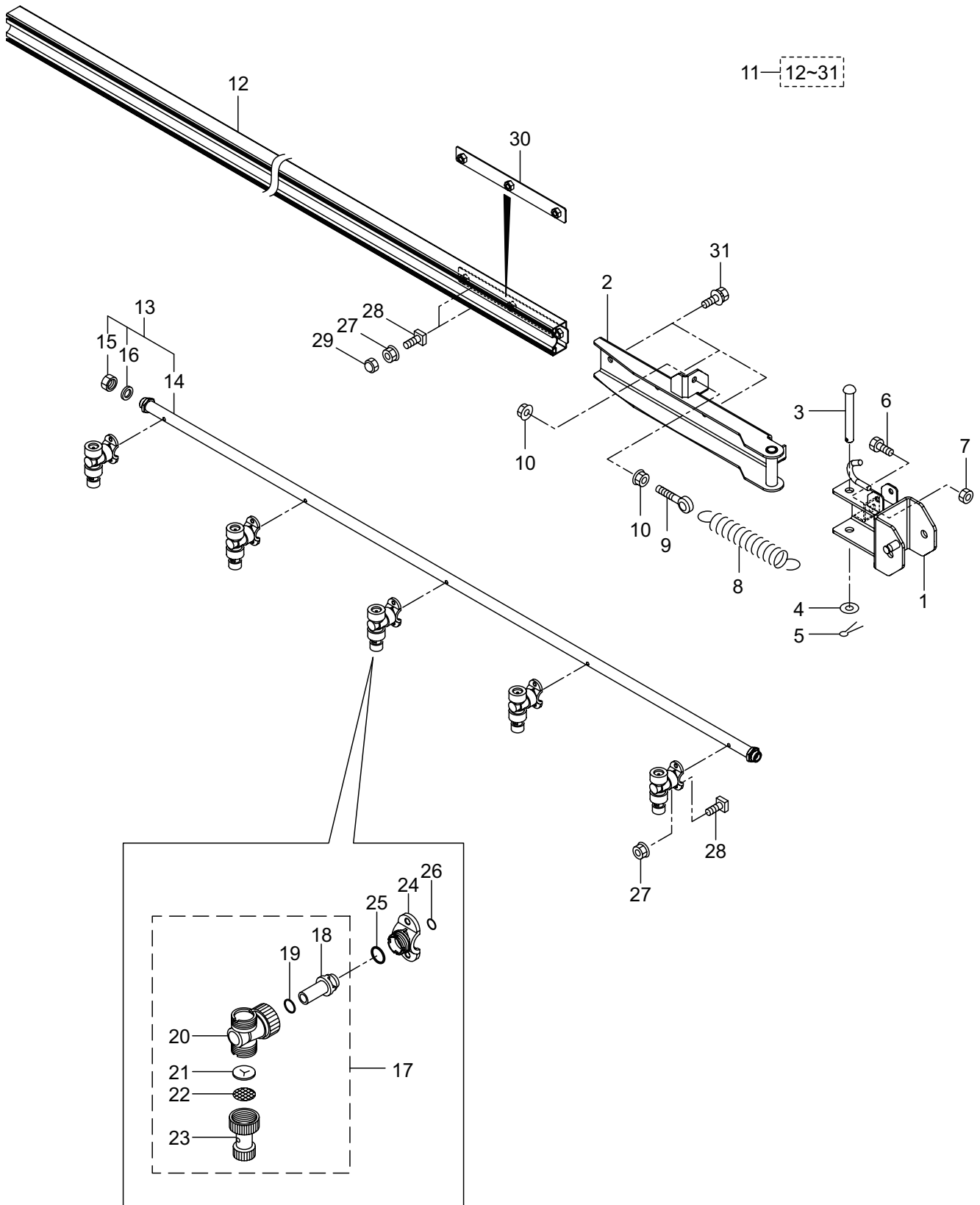
Ref. No.	Parts No.	Parts Name	Q'ty		Remarks
			2JP	3JP	
6-1	567548	Boom Pipe Ass'y	1	1	Incl.2-18
6-2	567398	Boom Pipe	1	1	
6-3	567549	Spray Pipe Ass'y	1	1	Incl.4-6
6-4	567550	Spray Pipe Comp.	1	1	
6-5	567530	Packing	1	1	15X20.5XT2
6-6	567529	Cap	1	1	G3/8
6-7	567170	Bolt(Square)	12	12	M5X12
6-8	567171	Flange Nut(Hex)	12	12	M5(1)
6-9	567402	2 Direction Nozzle	4	4	Incl.10-15
6-10	177328	Valve	4	4	
6-11	011373	O-Ring	4	4	P-10
6-12	567218	Nozzle Holder Ass'y	4	4	
6-13	180147	Packing	4	4	
6-14	107489	Strainer	4	4	
6-15	188492	Nozzle	4	4	
6-16	567531	Body	4	4	
6-17	022056	O-Ring	4	4	P7
6-18	011345	O-Ring	4	4	P-12

7. BSM201-2JP/BSM201-3JP
RIGHT BOOM



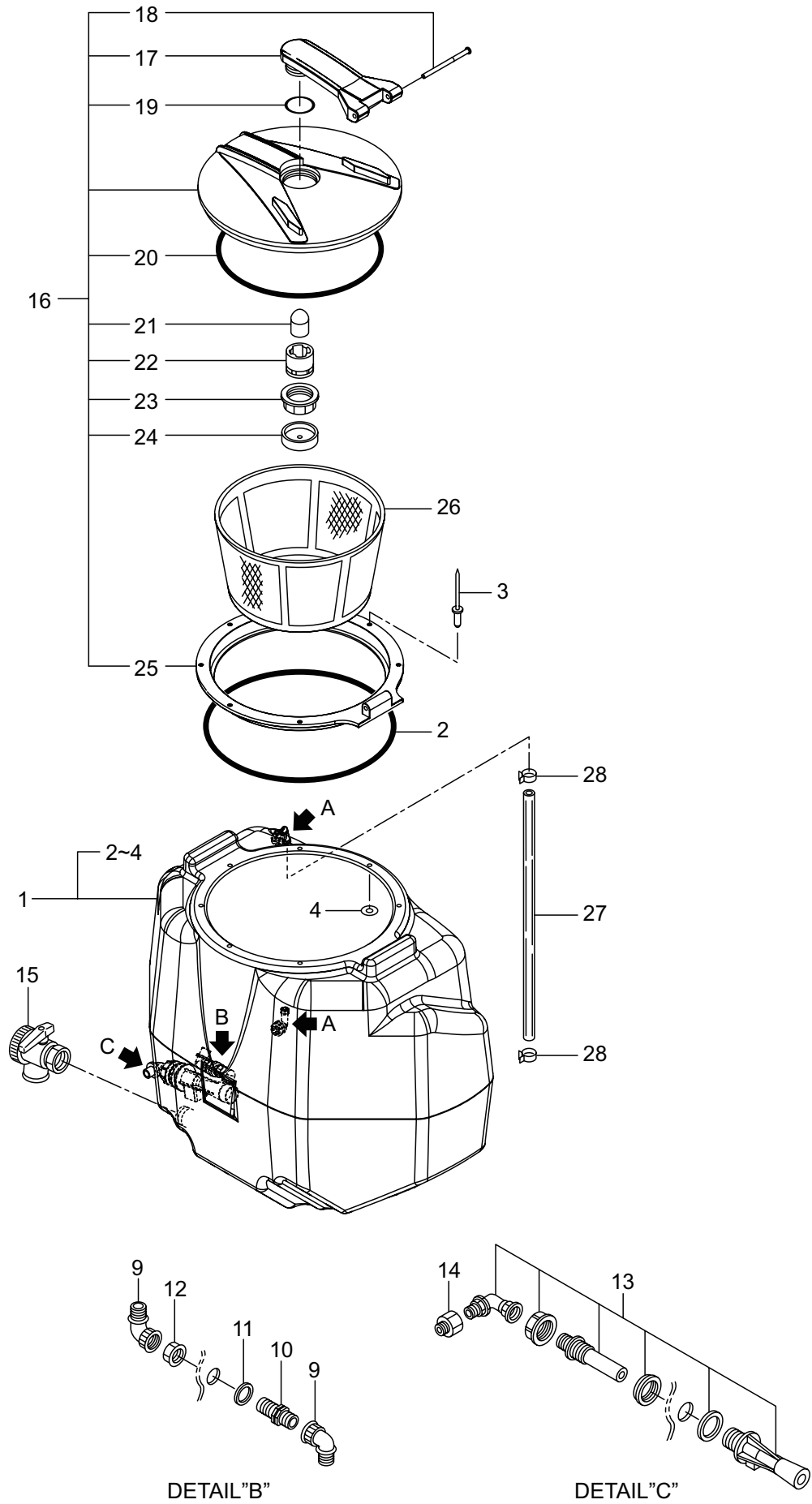
Ref. No.	Parts No.	Parts Name	Q'ty		Remarks
			2JP	3JP	
7-1	567510	Bracket Comp.	1	1	
7-2	567517	Bracket Comp.	1	1	
7-3	567151	Round Rivet	1	1	12X92.5L
7-4	567152	Washer	1	1	12.5X26XT2.3
7-5	567140	Split Pin	1	1	3X28
7-6	567142	Bolt(Hex)	1	1	M10X45
7-7	567143	Nut(Hex)	1	1	M10(2)
7-8	567522	Spring	1	1	
7-9	567155	Swing Bolt	1	1	M8X1.25X58L
7-10	567095	Flange Nut(Hex)	2	2	M8(2)
7-11	567826	Side Boom Pipe Ass'y	1	1	Incl.12-31
7-12	567397	Boom Pipe	1	1	
7-13	567524	Spray Pipe Ass'y	1	1	Incl.14-16
7-14	567525	Spray Pipe Comp.	1	1	
7-15	567529	Cap	1	1	G3/8
7-16	567530	Packing	1	1	15X20.5XT2
7-17	567402	2 Direction Nozzle	5	5	Incl.18-23
7-18	177328	Valve	5	5	
7-19	011373	O-Ring	5	5	P-10
7-20	567218	Nozzle Holder Ass'y	5	5	
7-21	180147	Packing	5	5	
7-22	107489	Strainer	5	5	
7-23	188492	Nozzle	5	5	
7-24	567531	Body	5	5	
7-25	011345	O-Ring	5	5	P-12
7-26	022056	O-Ring	5	5	P7
7-27	567171	Flange Nut(Hex)	14	14	M5(1)
7-28	567170	Bolt(Square)	14	14	M5X12
7-29	567532	Cap Nut	2	2	M5(3)
7-30	567533	Plate Nut	1	1	
7-31	567173	Bolt(Hex)WSW	3	3	M8X20

8. BSM201-2JP/BSM201-3JP
LEFT BOOM



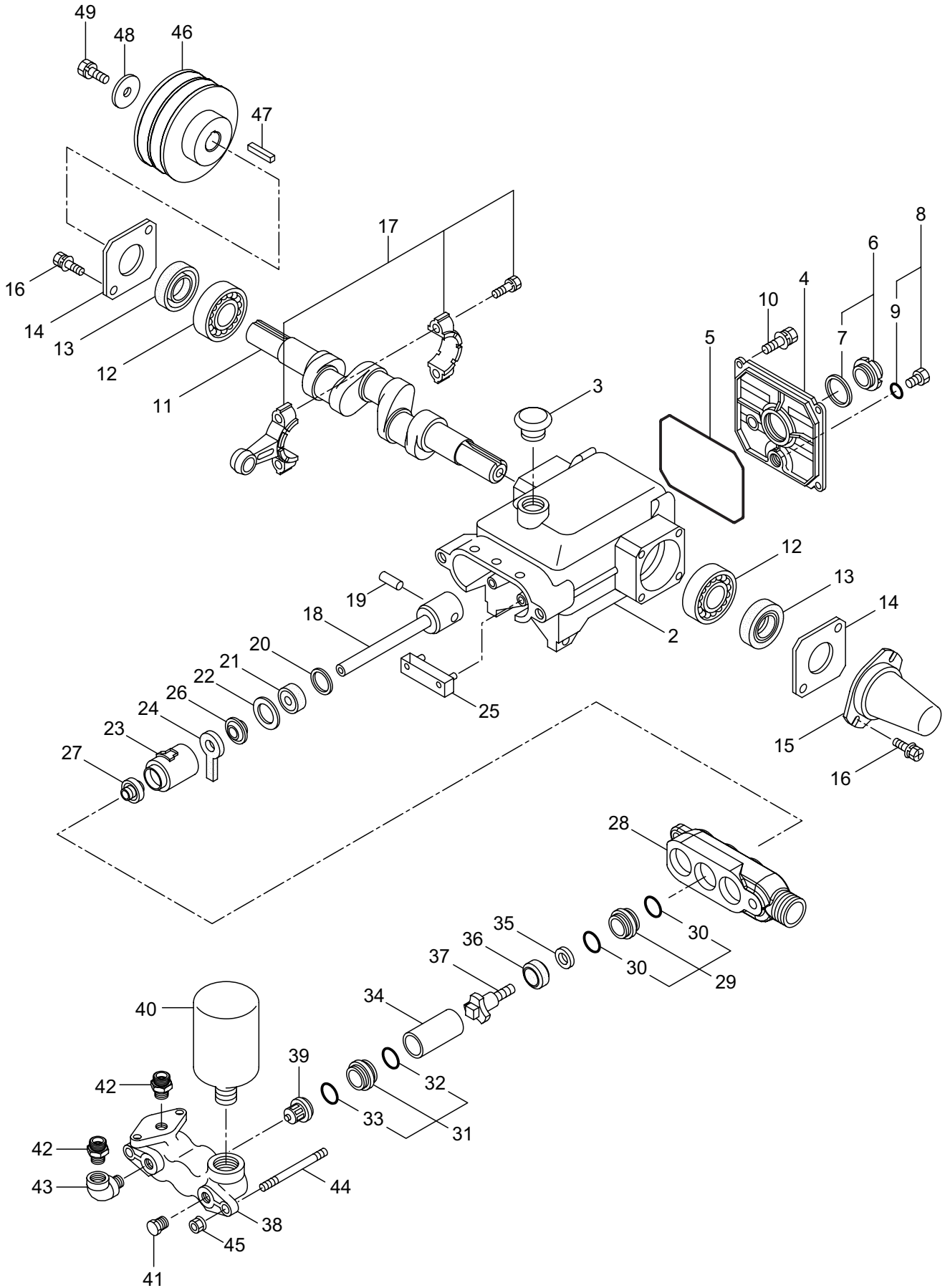
Ref. No.	Parts No.	Parts Name	Q'ty		Remarks
			2JP	3JP	
8-1	567535	Bracket Comp.	1	1	
8-2	567537	Bracket Comp.	1	1	
8-3	567151	Round Rivet	1	1	12X92.5L
8-4	567152	Washer	1	1	12.5X26XT2.3
8-5	567140	Split Pin	1	1	3X28
8-6	567142	Bolt(Hex)	1	1	M10X45
8-7	567143	Nut(Hex)	1	1	M10(2)
8-8	567522	Spring	1	1	
8-9	567155	Swing Bolt	1	1	M8X1.25X58L
8-10	567095	Flange Nut(Hex)	2	2	M8(2)
8-11	567523	Side Boom Pipe Ass'y	1	1	Incl.12-31
8-12	567397	Boom Pipe	1	1	
8-13	567524	Spray Pipe Ass'y	1	1	Incl.14-16
8-14	567525	Spray Pipe Comp.	1	1	
8-15	567529	Cap	1	1	G3/8
8-16	567530	Packing	1	1	15X20.5XT2
8-17	567402	2 Direction Nozzle	5	5	Incl.18-23
8-18	177328	Valve	5	5	
8-19	011373	O-Ring	5	5	P-10
8-20	567218	Nozzle Holder Ass'y	5	5	
8-21	180147	Packing	5	5	
8-22	107489	Strainer	5	5	
8-23	188492	Nozzle	5	5	
8-24	567531	Body	5	5	
8-25	011345	O-Ring	5	5	P-12
8-26	022056	O-Ring	5	5	P7
8-27	567171	Flange Nut(Hex)	12	12	M5(1)
8-28	567170	Bolt(Square)	12	12	M5X12
8-29	567532	Cap Nut	2	2	M5(3)
8-30	567533	Plate Nut	1	1	
8-31	567173	Bolt(Hex)WSW	3	3	M8X20

9. BSM201-2JP/BSM201-3JP
CHEMICAL TANK



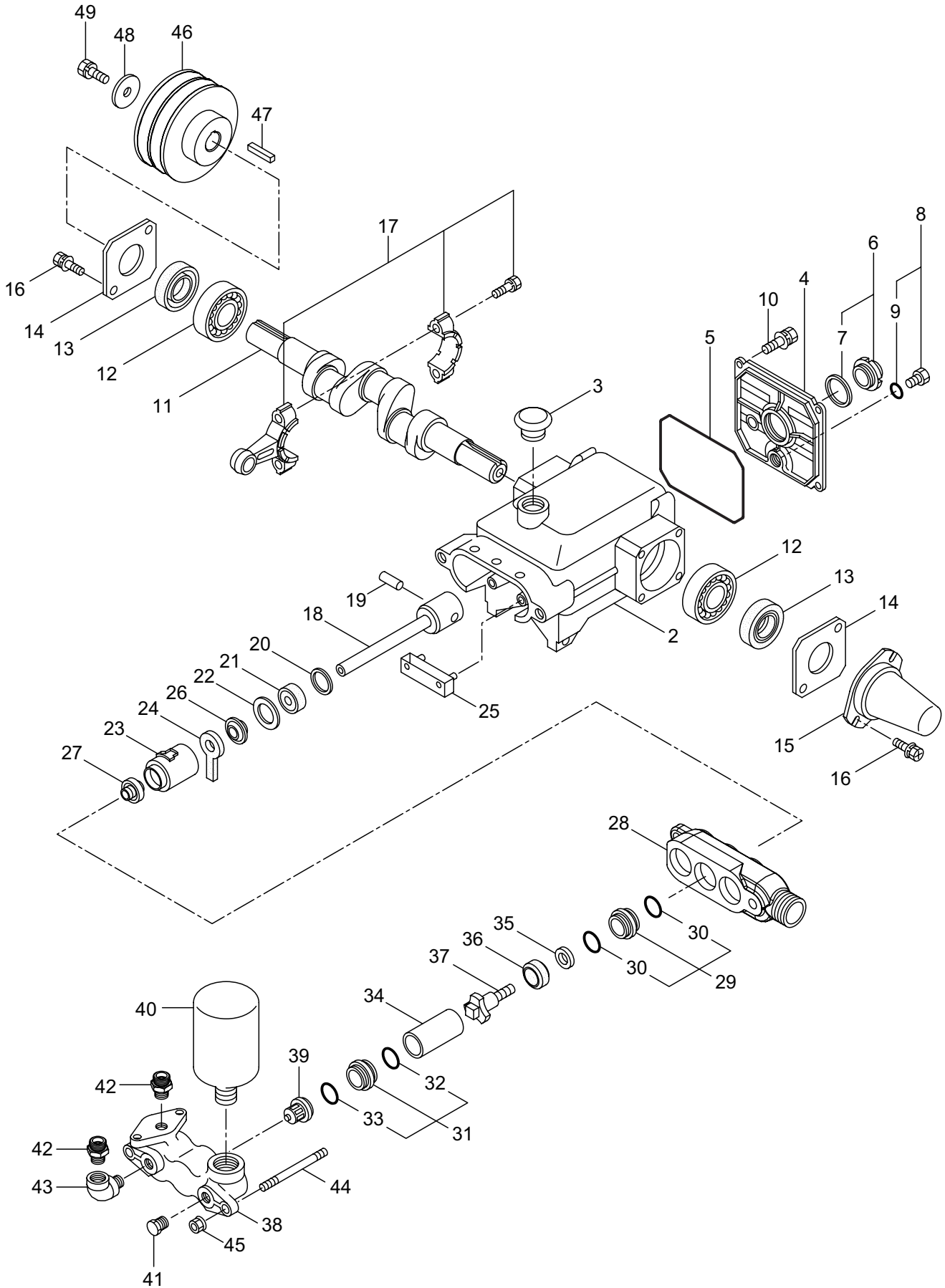
Ref. No.	Parts No.	Parts Name	Q'ty		Remarks
			2JP	3JP	
9-1	567399	Chemical Tank Ass'y	1	1	Incl.2-4
9-2	172197	Packing	1	1	
9-3	567071	Rivet	8	8	4.8X25L
9-4	567072	Washer	8	8	5.5X11.7XT0.8
9-5	150772	Elbow	2	2	
9-6	150773	Packing	2	2	17X25X4
9-7	567074	Washer	2	2	17X30XT3
9-8	567075	Nut(Hex)	2	2	G3/8
9-9	688377	Elbow	2	2	
9-10	567076	Nipple	1	1	
9-11	567077	Gasket	1	1	
9-12	567078	Lock Ring	1	1	
9-13	567214	Hydraulic Agitator	1	1	
9-14	567079	Extension	1	1	G1/2XG3/8
9-15	567395	3-Way Ball Valves	1	1	
9-16	172203	Water Inlet Lid Ass'y	1	1	Incl.17-25
9-17	646624	Arm	1	1	
9-18	646625	Pin	1	1	
9-19	646626	O-Ring	1	1	
9-20	186835	Packing	1	1	
9-21	183682	Float	1	1	
9-22	646628	Float Case	1	1	
9-23	189950	Nut	1	1	
9-24	646629	Float Cap	1	1	
9-25	172196	Nut Ring	1	1	
9-26	162792	Strainer	1	1	
9-27	567486	Vinyl Hose	1	1	12X16X510L
9-28	567220	Wire Clip	2	2	

10. BSM201-2JP/BSM201-3JP
POWER SPRAYER-1



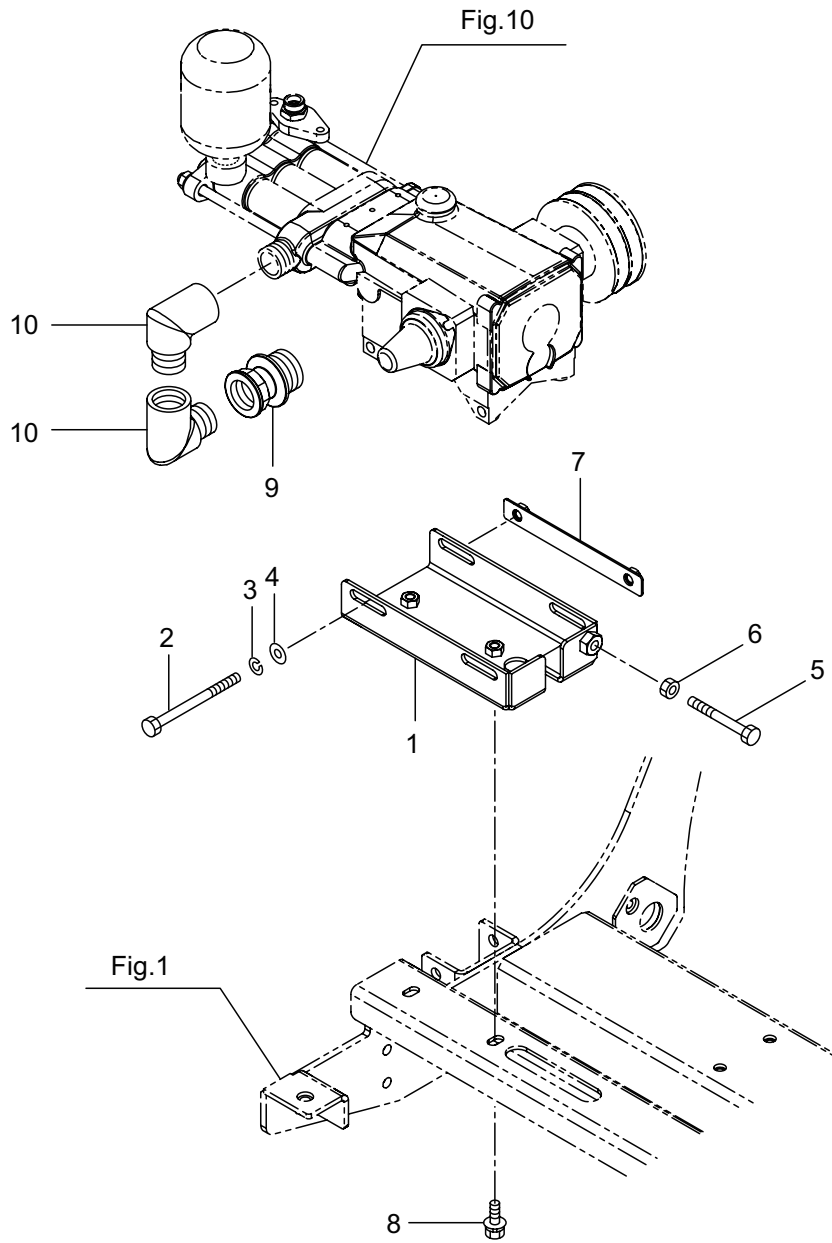
Ref. No.	Parts No.	Parts Name	Q'ty		Remarks
			2JP	3JP	
10-1	818593	MS331	1	1	
10-2	125113	Crankcase	1	1	
10-3	117420	Oil Filler Cap	1	1	
10-4	830216	Rear Cover, Crankcase	1	1	
10-5	014041	O-Ring	1	1	S100
10-6	092241	Oil Gauge Ass'y	1	1	Incl.7
10-7	044428	Packing	1	1	25X34XT2
10-8	091376	Drain Plug	1	1	G1/4 Incl.9
10-9	023170	O-Ring	1	1	P12.5
10-10	125824	Bolt	4	4	M6X16
10-11	103921	Crankshaft	1	1	
10-12	014487	Bearing	2	2	#6304
10-13	117423	Oil Seal	2	2	
10-14	117424	Plate	2	2	T1.2
10-15	025130	Shaft Protector	1	1	
10-16	125824	Bolt	4	4	M6X16
10-17	048734	Connecting Rod Ass'y	3	3	
10-18	131358	Piston Rod	3	3	
10-19	016948	Piston Pin	3	3	9X22
10-20	126259	Washer	3	3	17X24XT1.2
10-21	025461	Oil Seal	3	3	S10.5247
10-22	126189	Washer	3	3	20X28XT1.2
10-23	027710	Seal Retainer	3	3	
10-24	130515	Felt Packing	3	3	10.5X24X5
10-25	027712	Oil Pan	1	1	
10-26	026853	Packing	3	3	
10-27	100015	Seal	3	3	
10-28	123765	Inlet Manifold	1	1	
10-29	091109	Adapter Ass'y	3	3	Incl.30
10-30	015862	O-Ring	6	6	P21
10-31	091108	Adapter Ass'y	3	3	Incl.32,33
10-32	015862	O-Ring	3	3	P21
10-33	023172	O-Ring	3	3	P22
10-34	022929	Cylinder Pipe	3	3	25X28.5X55
10-35	124277	Inlet Valve Seat	3	3	6.1X20XT2.8
10-36	116121	Piston Packing	3	3	
10-37	118628	Piston Retainer	3	3	
10-38	130150	Discharge Manifold	1	1	
10-39	120276	Discharge Valve Ass'y	3	3	
10-40	117813	Air Chamber	1	1	
10-41	125864	Plug	1	1	R1/4
10-42	130152	Nipple	2	2	R1/4XG3/8
10-43	162830	Elbow	1	1	PT1/4
10-44	130917	Stud	2	2	M8X150X11X18
10-45	126201	Nut	2	2	M8

10. BSM201-2JP/BSM201-3JP
POWER SPRAYER-1



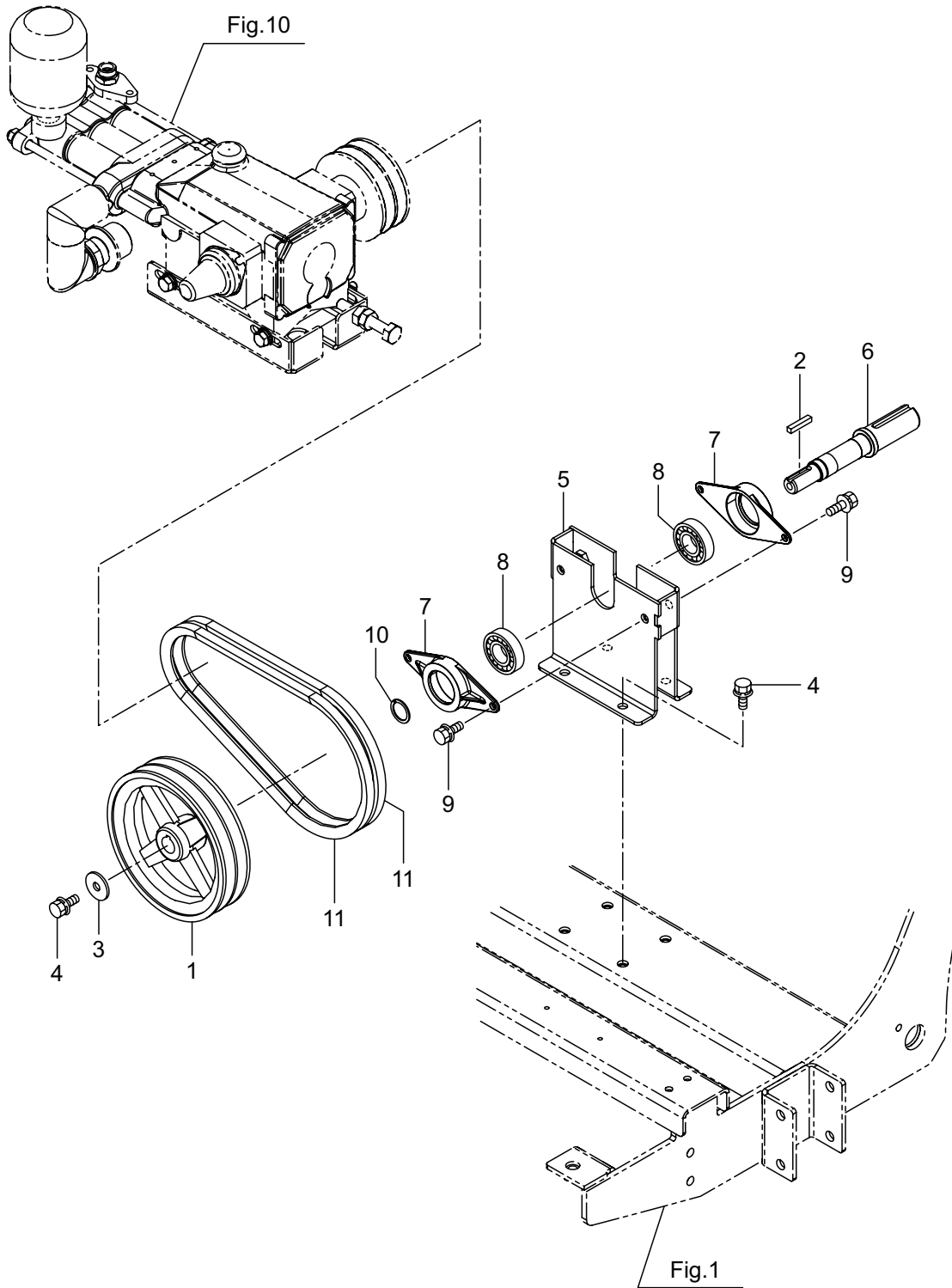
Ref. No.	Parts No.	Parts Name	Q'ty		Remarks
			2JP	3JP	
10-46	132780	V-Pulley	1	1	
10-47	014543	Key	1	1	5X5X25
10-48	126198	Washer	1	1	8.5X30XT3.2
10-49	126258	Bolt	1	1	M8X20

11. BSM201-2JP/BSM201-3JP
POWER SPRAYER-2



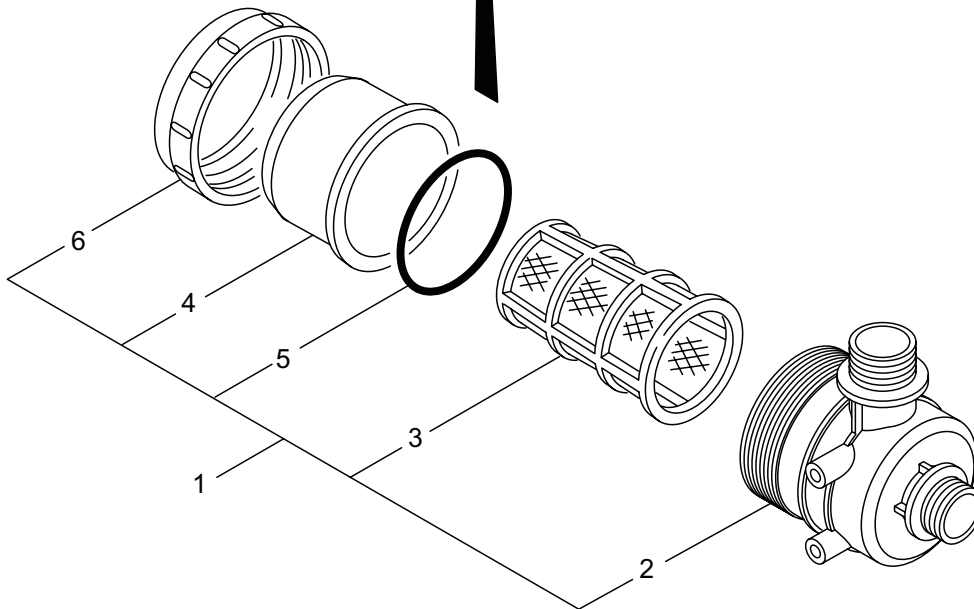
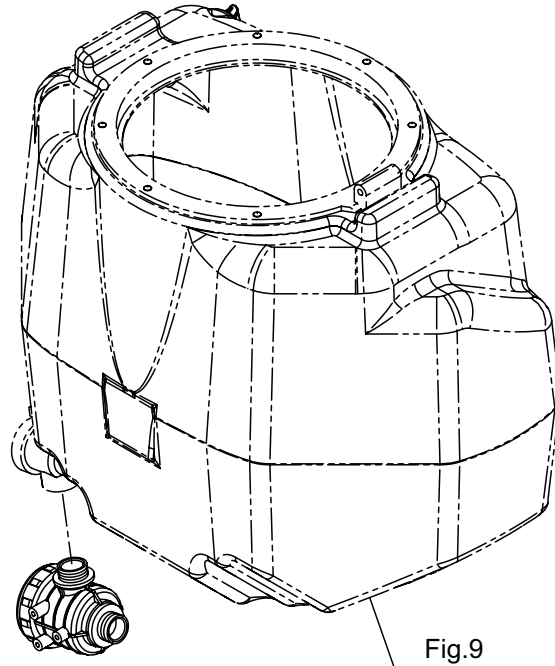
Ref. No.	Parts No.	Parts Name	Q'ty		Remarks
			2JP	3JP	
11-1	567472	Bracket Comp.	1	1	
11-2	567475	Bolt(Hex)	2	2	M8X120X22
11-3	567476	Spring Washer	2	2	M8(2)
11-4	567156	Washer	2	2	8.5X18XT1.6
11-5	567477	Bolt(Hex)	1	1	M10X65
11-6	567143	Nut(Hex)	1	1	M10(2)
11-7	567479	Plate Nut	1	1	
11-8	567173	Bolt(Hex)WSW	2	2	M8X20
11-9	567034	Female Reducer Nipple	1	1	
11-10	189464	Elbow	2	2	

12. BSM201-2JP/BSM201-3JP
DRIVEN UNIT



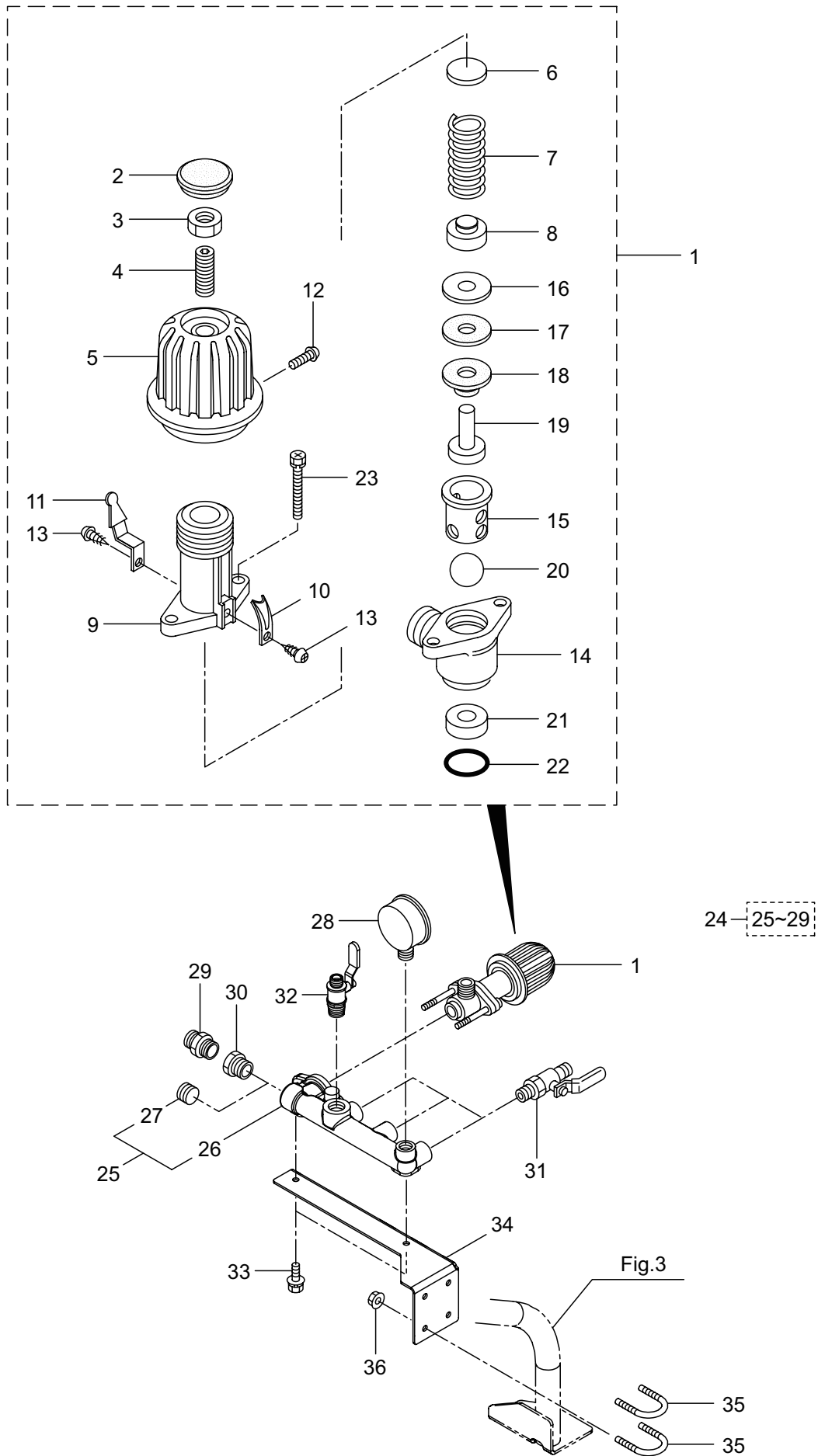
Ref. No.	Parts No.	Parts Name	Q'ty		Remarks
			2JP	3JP	
12-1	100837	V-Pulley	1	1	
12-2	567183	Key	1	1	5X5X25
12-3	567480	Washer	1	1	8.5X28XT2.5
12-4	567173	Bolt(Hex)WSW	5	5	M8X20
12-5	567481	Bracket Comp.	1	1	
12-6	567483	Shaft	1	1	
12-7	293627	Shaft Holder	2	2	
12-8	103144	Bearing	2	2	#6004ZZ
12-9	567092	Bolt(Hex)WSW	4	4	M6X16
12-10	567484	C-Ring	1	1	#20
12-11	292886	V-Belt	2	2	

13. BSM201-2JP/BSM201-3JP
STRAINER



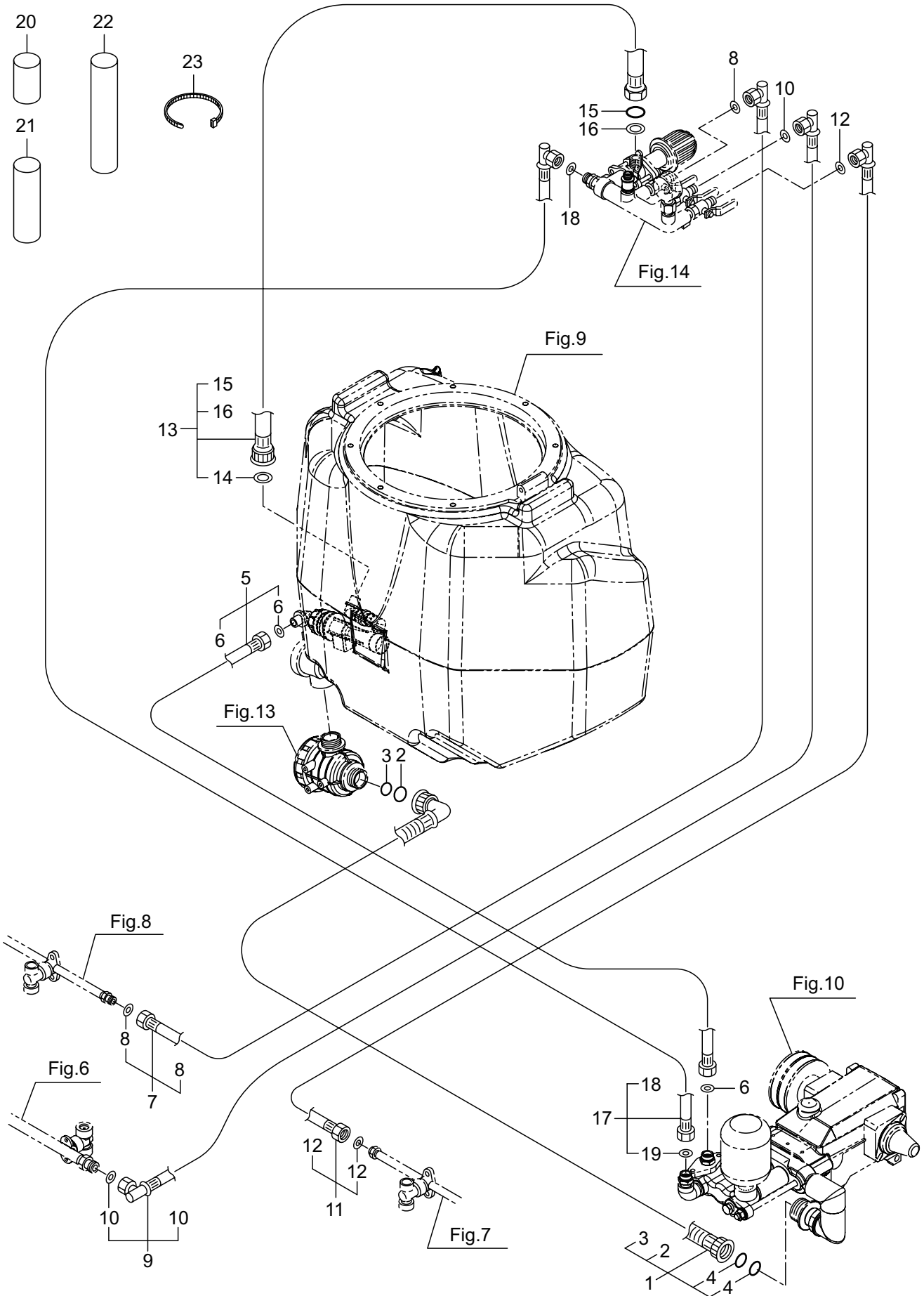
Ref. No.	Parts No.	Parts Name	Q'ty		Remarks
			2JP	3JP	
13-1	567406	Suction Filter(#50)	1	1	Incl.2-6
13-2	567321	Body	1	1	
13-3	567431	Strainer(#50)	1	1	
13-4	567323	Cap	1	1	
13-5	567292	O-Ring	1	1	
13-6	161304	Nut	1	1	

14. BSM201-2JP/BSM201-3JP
WATER DIVERSION



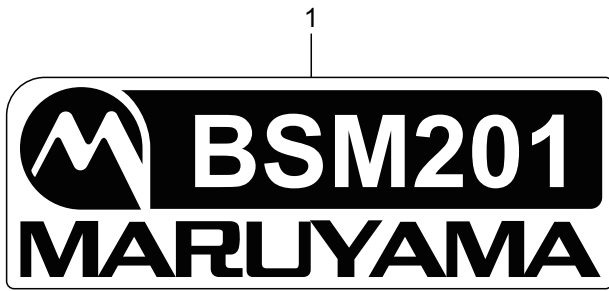
Ref. No.	Parts No.	Parts Name	Q'ty		Remarks
			2JP	3JP	
14-1	130196	Pressure Regulator Valve Ass'y	1	1	Incl.2-23
14-2	105518	Cap	1	1	
14-3	126195	Nut	1	1	M10
14-4	088975	Screw	1	1	M10X49
14-5	130197	Grip	1	1	
14-6	126196	Retainer	1	1	17X2.3
14-7	105520	Spring	1	1	
14-8	105521	Retainer	1	1	
14-9	117448	Case	1	1	
14-10	117440	Plate	1	1	
14-11	105524	Indicator	1	1	
14-12	089899	Tapping Screw	2	2	M4X13
14-13	127284	Tapping Screw	2	2	M4X6
14-14	117442	Body	1	1	
14-15	012256	Retainer	1	1	
14-16	012255	Washer	1	1	6.2X22XT0.6
14-17	016972	Bellows Packing	1	1	5X22X1.5
14-18	011451	Bellows	1	1	
14-19	016975	Valve Rod	1	1	
14-20	107238	Valve Ball	1	1	12.7(#1/2)
14-21	117443	Valve Seat	1	1	
14-22	014179	O-Ring	1	1	P20
14-23	126197	Bolt	2	2	M6X55
14-24	567084	Water Diversion Ass'y	1	1	Incl.25-29
14-25	567085	Water Diversion Ass'y	1	1	Incl.26,27
14-26	567086	Water Diversion	1	1	
14-27	863966	Plug	1	1	R1/2
14-28	567087	Pressure Gauge	1	1	
14-29	567088	Nipple	1	1	R3/8XG3/8
14-30	567505	Bushing	1	1	R1/2XRC3/8
14-31	120835	Ball Cock	3	3	G3/8XR3/8
14-32	165994	Ball Cock	1	1	PT3/8XPF1/4
14-33	567172	Bolt(Hex)WSW	2	2	M6X14
14-34	567506	Bracket	1	1	
14-35	567507	U-Bolt	2	2	M6 3/4
14-36	567508	Flange Nut(Hex)	4	4	M6(2)

15. BSM201-2JP/BSM201-3JP
CHEMICAL PIPING



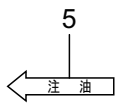
Ref. No.	Parts No.	Parts Name	Q'ty		Remarks
			2JP	3JP	
15-1	567403	Suction Hose Comp.	1	1	25X190L Incl.2-4
15-2	161307	O-Ring	1	1	
15-3	161308	O-Ring	1	1	
15-4	161309	O-Ring	2	2	
15-5	567407	Hose Comp.	1	1	10X1BX170L Incl.6
15-6	111569	Packing	2	2	9.5X15XT1.5
15-7	567408	Hose Comp.	1	1	10X1BX3750L Incl.8
15-8	111569	Packing	2	2	9.5X15XT1.5
15-9	567409	Hose Comp.	1	1	10X1BX2900L Incl.10
15-10	111569	Packing	2	2	9.5X15XT1.5
15-11	567410	Hose Comp.	1	1	10X1BX3150L Incl.12
15-12	111569	Packing	2	2	9.5X15XT1.5
15-13	567411	Hose Comp.	1	1	13X19X1100L Incl.14-16
15-14	188601	Packing	1	1	12.5X18.5XT1.5
15-15	863897	O-Ring(G1/2)	1	1	
15-16	100691	Packing	1	1	13.5X18XT2
15-17	567412	Hose Comp.	1	1	10X1BX1450L Incl.18,19
15-18	111569	Packing	1	1	9.5X15XT1.5
15-19	111569	Packing	1	1	9.5X15XT1.5
15-20	567585	Protect Hose	3	3	2X100L
15-21	567586	Protect Hose	2	2	2X200L
15-22	567587	Protect Hose	1	1	2X300L
15-23	567464	Band	19	19	

16. BSM201-2JP/BSM201-3JP
LABEL



3
常用圧力 0.5~1.5MPa

4
PTO
440~615rpm



6
取扱要領
散布作業を停止、もしくは終了させる場合は、調圧ダイヤルを左いっぱいに戻し、圧力を下げたからPTOを切ること。

7
送液バルブの取扱い方
吸水ストレーナの点検・清掃

- 運転前に送液バルブが開いているか確認してください。
- 作業終了後、キャップを外し、吸水ストレーナの点検・清掃を行います。終了後は、Oリングの脱落に注意しキャップを確実に締めてください。

8

閉 ↑右ノズル ↓開	閉 ↑中ノズル ↓開	閉 ↑左ノズル ↓開
------------------	------------------	------------------

9
警告
ユニバーサルジョイントを取付ける場合、トラクタのエンジンを停止し、キーを抜き、駐車ブレーキをかけPTOのクラッチを必ずOFFにすること。

10
注意
ローリンク(2点リンクの場合はリフトアーム)を上げすぎると、トラクタと接触し、トラクタまたはブームスプレーヤを破損させるおそれがあります。

11
注意

- ・使用する薬剤の取扱説明書をよく読んで正しく使用すること。
- ・作業前に噴霧用ポンプのオイル点検を行うこと。
- ・ブームスプレーヤを保管する際は、スタンドのキャスターをロックすること。
- ・ブーム昇降時は、ブームを開くこと。

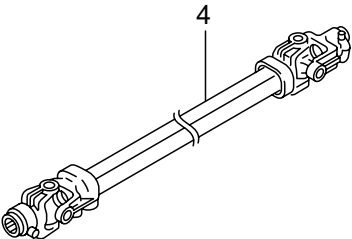
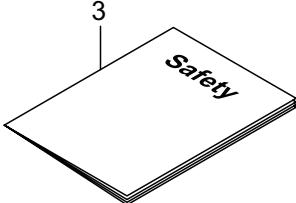
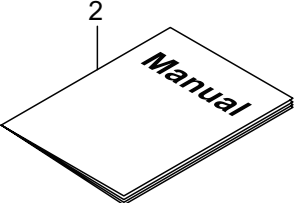
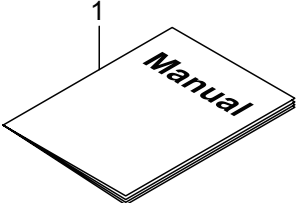
12
警告

- ・服装は、体にあつたものを着用して下さい。保護着・保護マスク・保護メガネ・ゴム手袋・作業靴(長靴)等を用意し、安全な服装で作業すること。
- ・飲料水源及び生物を飼育している湖沼からの直接給水は絶対に行わないこと。
- ・散布計画を立て、薬剤は余らないように作ること。
- ・スプレーヤの取付け、取外しを行う場合は、薬剤タンクを空の状態で行うこと。
- ・転落事故のおそれがあるため、急発進・急旋回・急制動は行わないこと。

P/N. 587346

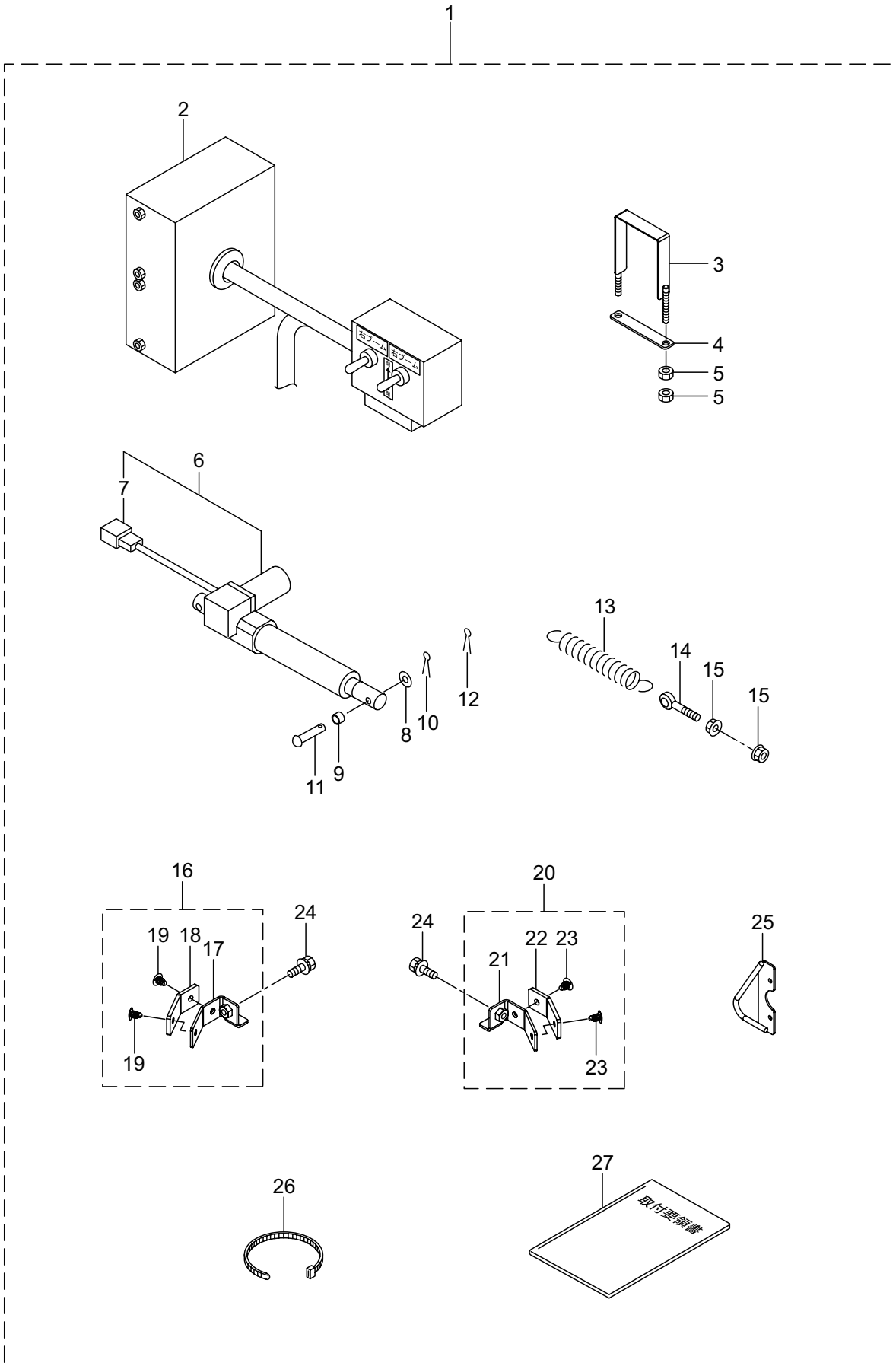
Ref. No.	Parts No.	Parts Name	Q'ty		Remarks
			2JP	3JP	
16-1	567590	Label	2	2	BSM201
16-2	567306	Label	1	1	Red Zone
16-3	567592	Label	1	1	Pressure
16-4	567594	Label	1	1	PTO440-615rpm
16-5	567338	Label	1	1	Lubrication
16-6	567340	Label	1	1	Instruction
16-7	567342	Label	1	1	How To
16-8	567343	Label	1	1	Operation Nozzle
16-9	567591	Label	1	1	Warning
16-10	567593	Label	1	1	Lowerlink
16-11	567595	Label	1	1	Caution
16-12	567345	Label	1	1	Warning

17. BSM201-2JP/BSM201-3JP
ACCESSORIES



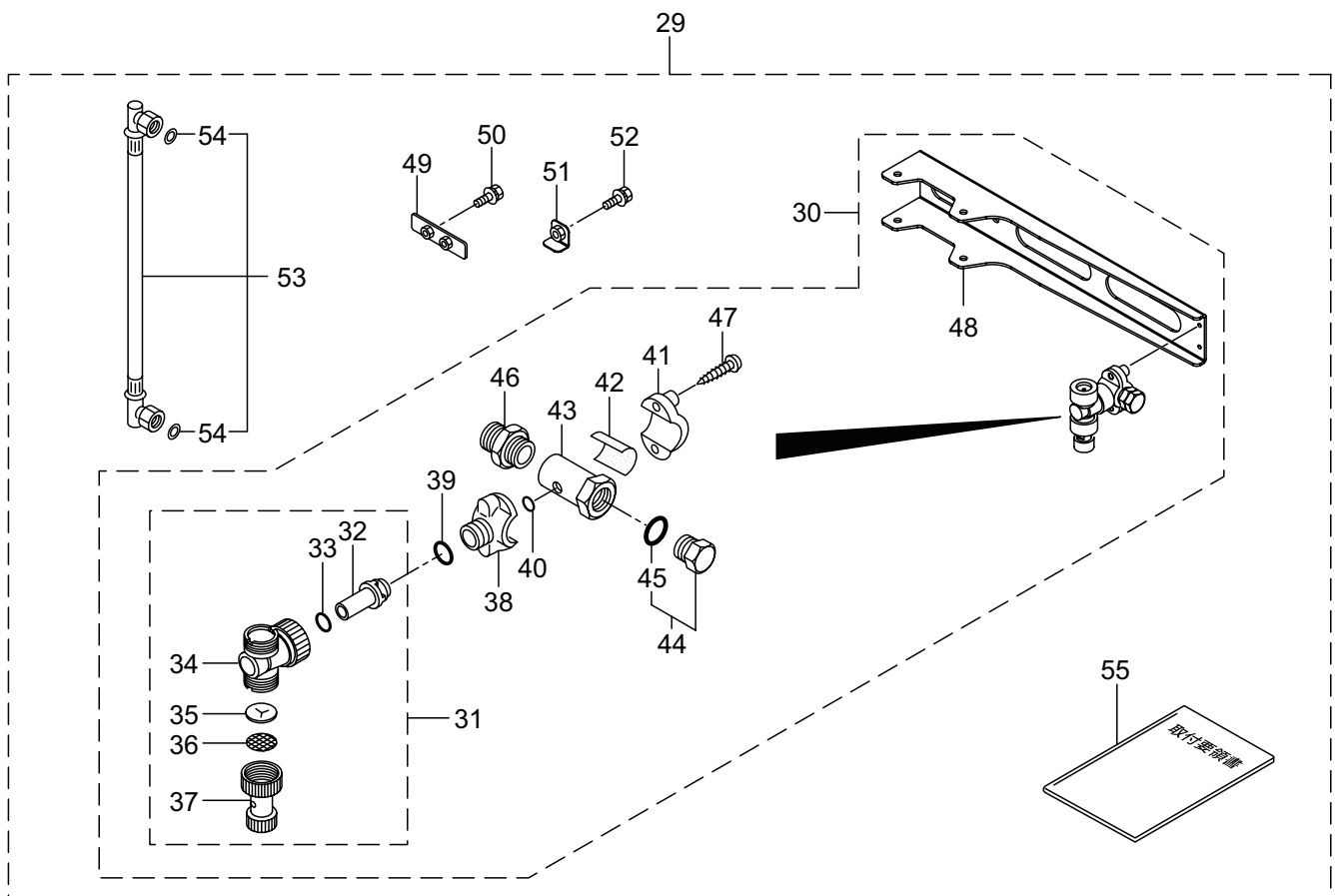
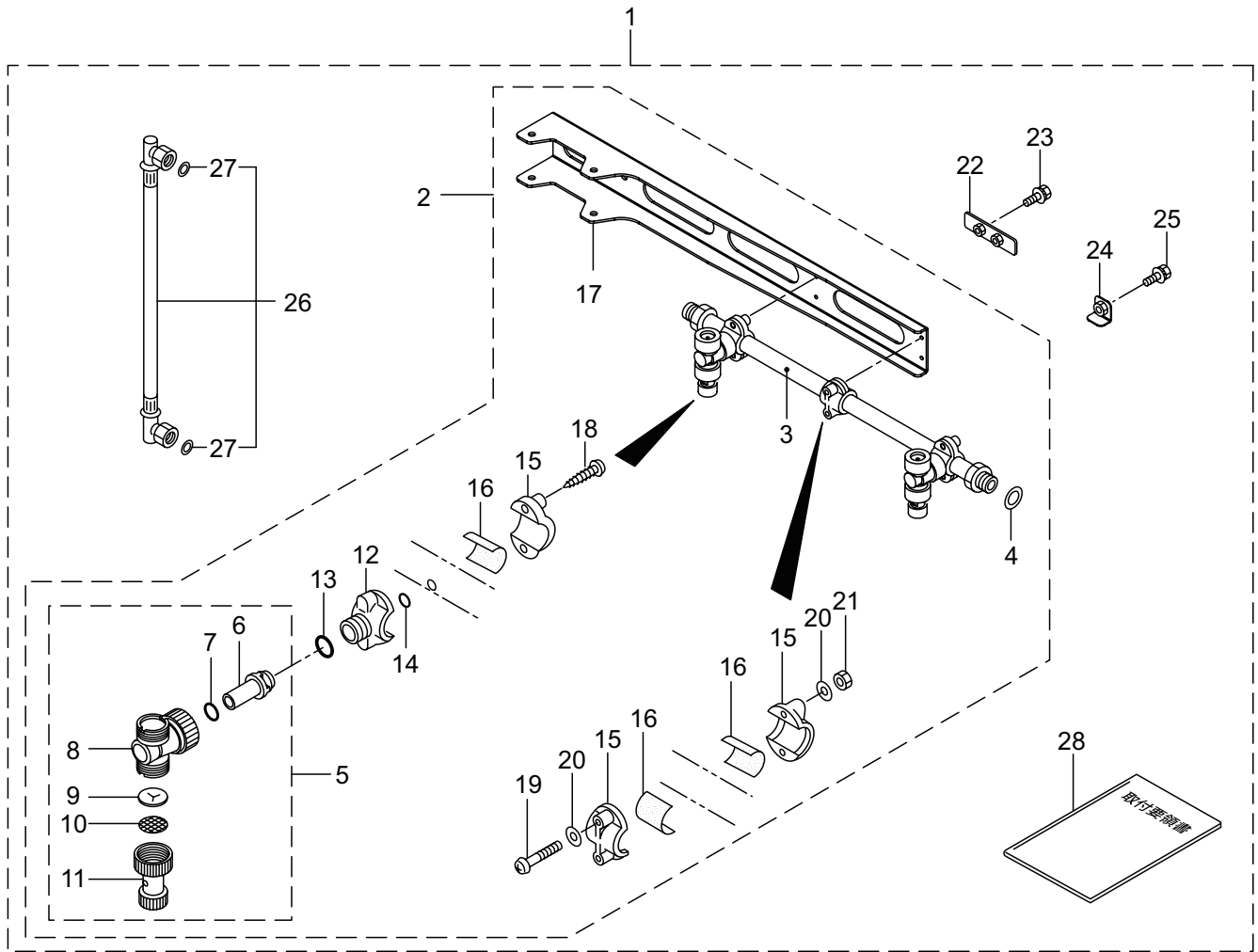
Ref. No.	Parts No.	Parts Name	Q'ty		Remarks
			2JP	3JP	
17-1	567458	Instruction Manual	1	1	BSM201
17-2	567600	Installation Manual	1	1	BSM201
17-3	177230	Safety Instruction Manual	1	1	
17-4	567459	Universal Joint	1		
17-4	153672	Universal Joint		1	
17-5	567460	Key	1	1	7X7X45
17-6	567461	Bolt(Hex)	1	1	M10X35
17-7	567143	Nut(Hex)	1	1	M10(2)

18. BSM201-2JP/BSM201-3JP
OPTION-1



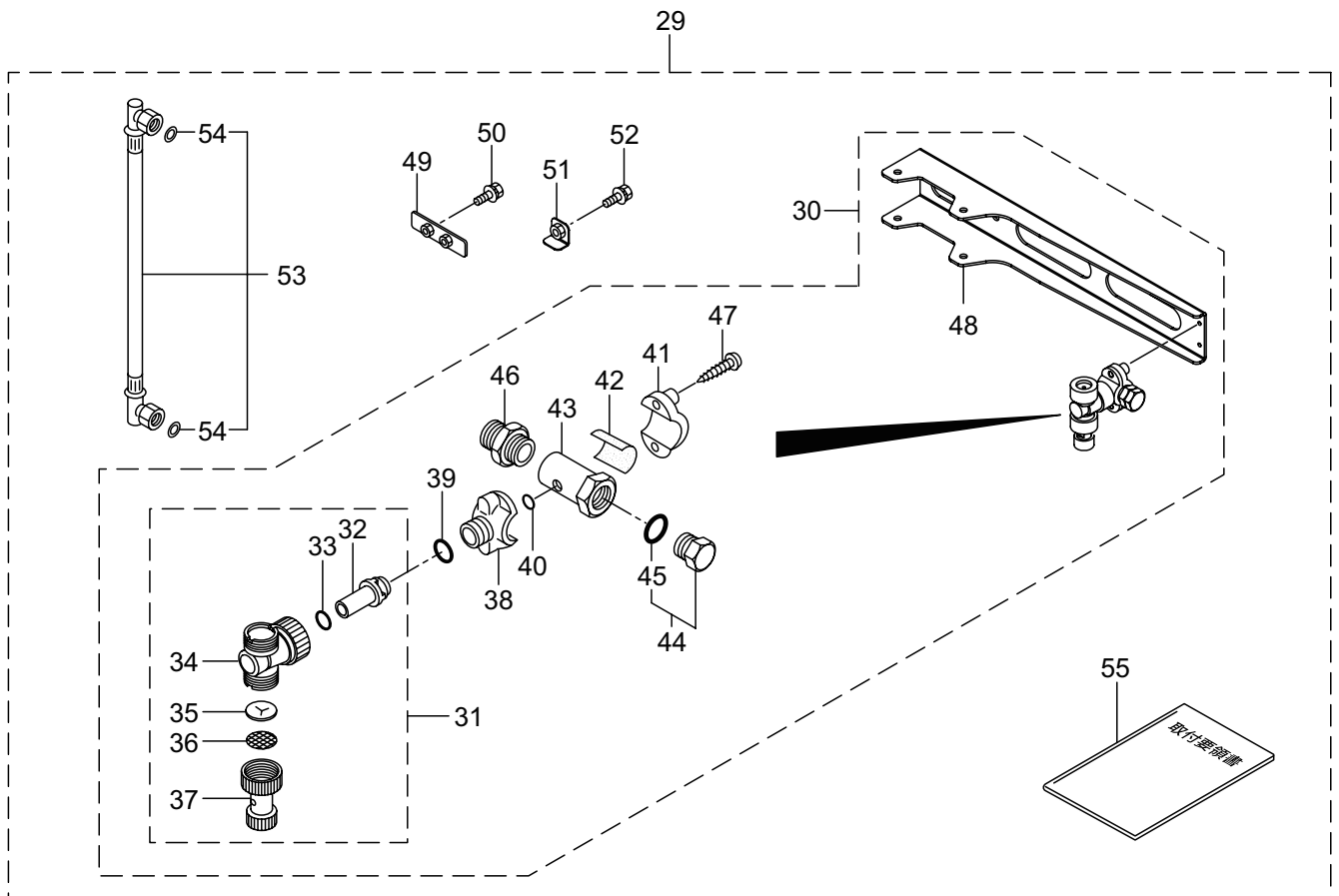
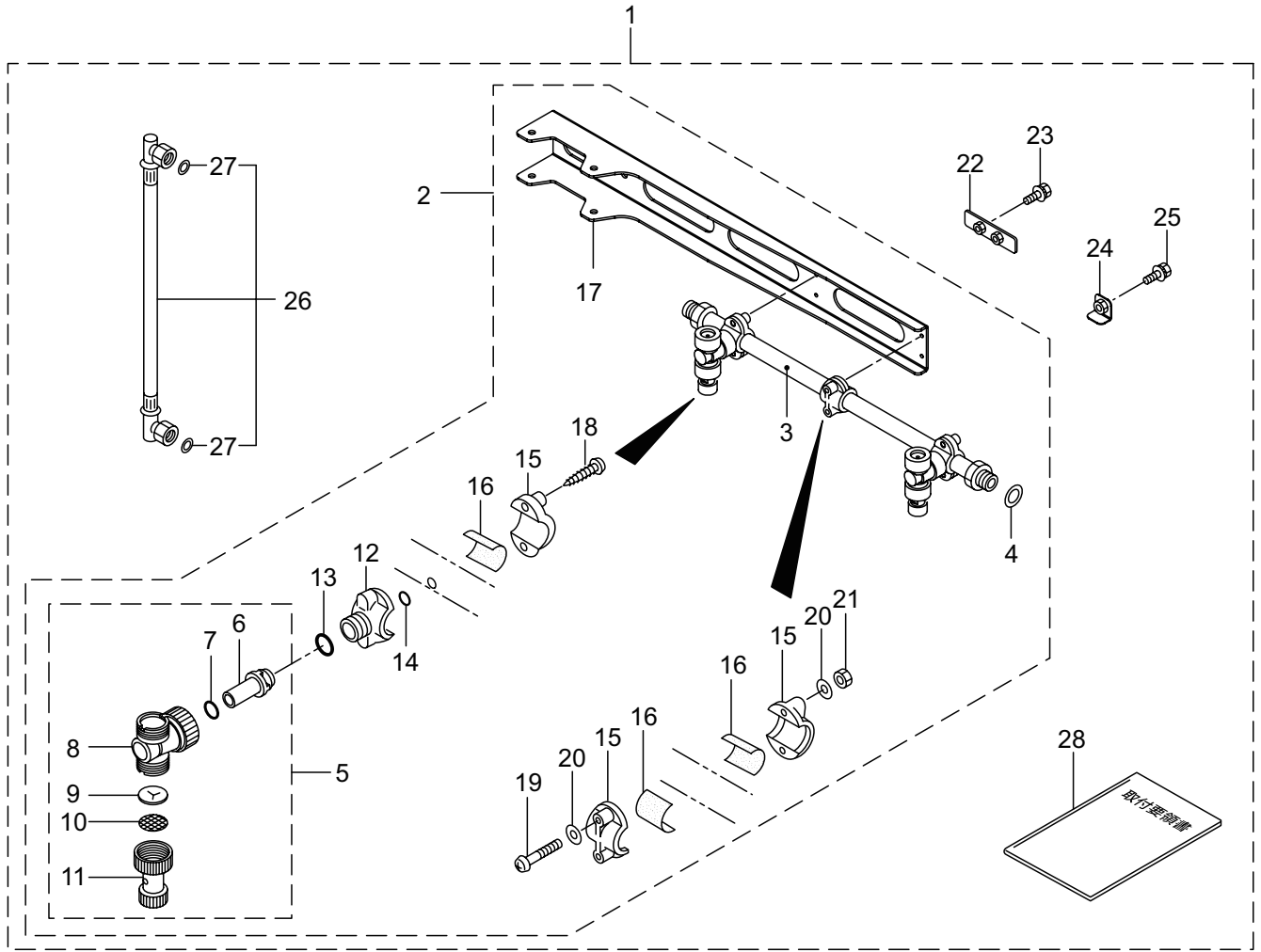
Ref. No.	Parts No.	Parts Name	Q'ty		Remarks
			2JP	3JP	
18-1	881520	Electric Cylinder Kit	1	1	Incl.2-27
18-2	881521	Switch Box Ass'y	1	1	
18-3	881532	Band Comp.	2	2	
18-4	881535	Plate	2	2	
18-5	127298	Nut	8	8	M6
18-6	681912	Power Cylinder	2	2	Incl.7
18-7	180722	Connector	2	2	
18-8	196599	Washer	2	2	8.5X26XT4.5
18-9	881536	Collar	2	2	8.8X12X8L
18-10	069404	Split Pin	2	2	3X25L
18-11	681913	Clevis Pin	2	2	8X40
18-12	047813	Split Pin	2	2	2X20
18-13	860275	Spring	2	2	
18-14	860450	Swing Bolt	2	2	M8X50
18-15	110176	Nut	4	4	M8
18-16	881537	Stay Ass'y	2	2	Incl.17-19
18-17	881538	Stay Comp.	2	2	
18-18	881542	Packing	2	2	32X93XT5
18-19	862820	Clip	4	4	
18-20	881540	Stay Ass'y	2	2	Incl.21-23
18-21	881541	Stay Comp.	2	2	
18-22	881542	Packing	2	2	32X93XT5
18-23	862820	Clip	4	4	
18-24	817015	Bolt	4	4	M10X20(SM)
18-25	881543	Hook Comp.	1	1	
18-26	685050	Band	14	14	CV-350B
18-27	881546	Instruction Manual	1	1	

19. BSM201-2JP/BSM201-3JP
OPTION-2



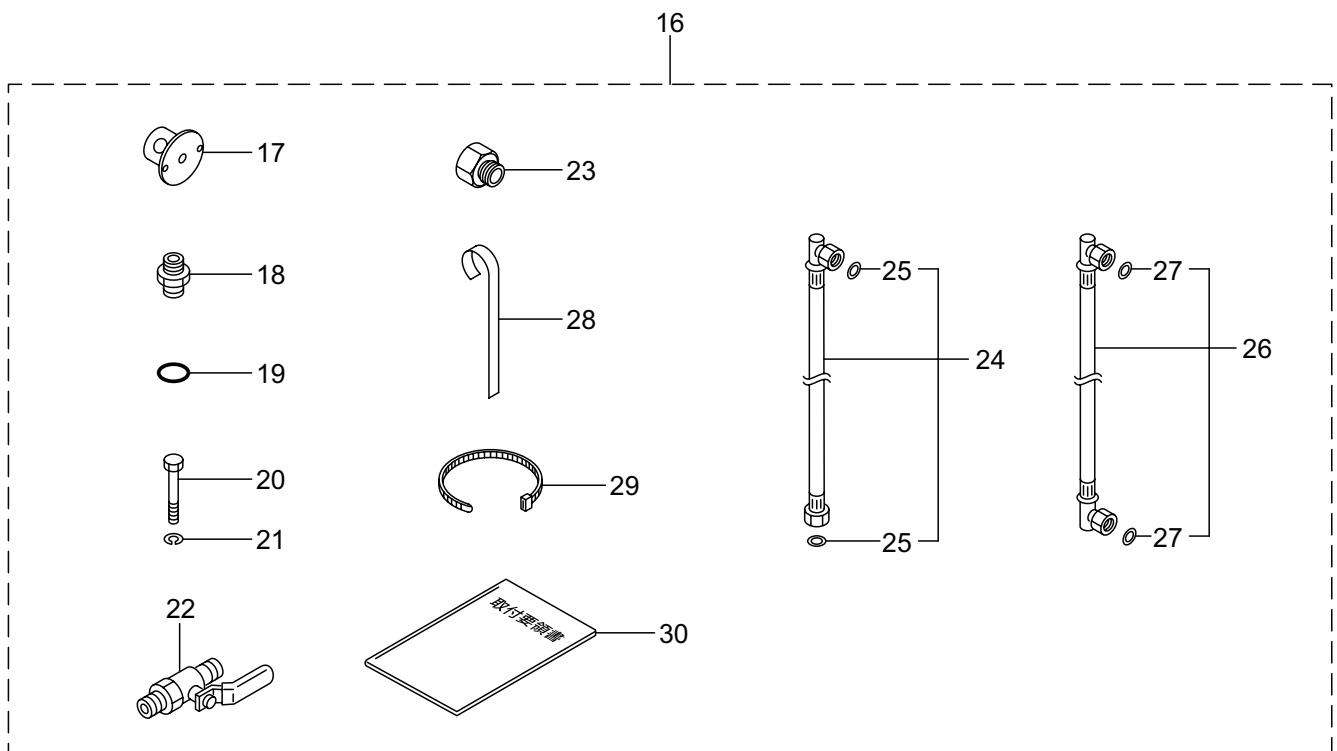
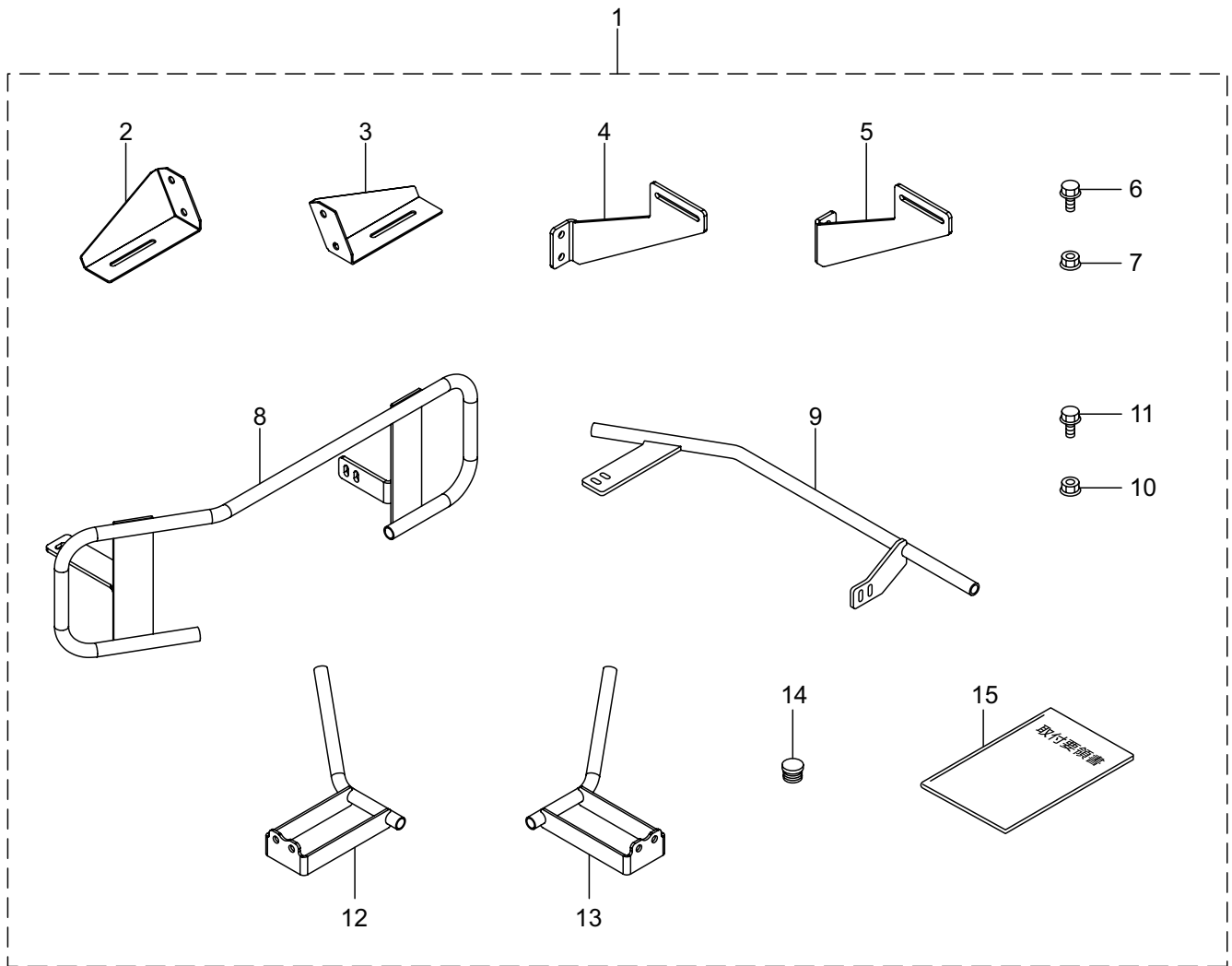
Ref. No.	Parts No.	Parts Name	Q'ty		Remarks
			2JP	3JP	
19-1	881547	Extension Nozzle Kit	1	1	Incl.2-28
19-2	881548	Spray Pipe Ass'y	2	2	Incl.3-21
19-3	175147	Spray Pipe Comp.	2	2	
19-4	114303	Packing	2	2	15X20.5XT2
19-5	567402	2 Direction Nozzle	4	4	Incl.6-11
19-6	177328	Valve	4	4	
19-7	011373	O-Ring	4	4	P-10
19-8	567218	Nozzle Holder Ass'y	4	4	
19-9	180147	Packing	4	4	
19-10	107489	Strainer	4	4	
19-11	188492	Nozzle Disk	4	4	
19-12	187560	Body	4	4	
19-13	011345	O-Ring	4	4	P-12
19-14	022056	O-Ring	4	4	P7
19-15	148709	Cover	8	8	
19-16	148710	Rubber Plate	8	8	16X24XT1.5
19-17	881549	Stay	2	2	
19-18	089961	Screw	8	8	ST3.5X24
19-19	088309	Screw	4	4	M3X35
19-20	065000	Washer	8	8	M3
19-21	183394	Nut	4	4	M3
19-22	881550	Plate Nut	2	2	M8
19-23	126763	Bolt	4	4	M8X20(SM)
19-24	881551	Stay Comp.	8	8	
19-25	092515	Bolt	8	8	M6X14
19-26	881552	Hose Ass'y	2	2	10X2SX300L Incl.27
19-27	111569	Packing	4	4	9.5X15XT1.5
19-28	881553	Instruction Manual	1	1	
19-29	881554	Extension Nozzle Kit	1	1	Incl.30-55
19-30	881555	Nozzle Ass'y	2	2	Incl.31-48
19-31	567402	2 Direction Nozzle	2	2	Incl.32-37
19-32	177328	Valve	2	2	
19-33	011373	O-Ring	2	2	P-10
19-34	567218	Nozzle Holder Ass'y	2	2	
19-35	180147	Packing	2	2	
19-36	107489	Strainer	2	2	
19-37	188492	Nozzle Disk	2	2	
19-38	187560	Body	2	2	
19-39	011345	O-Ring	2	2	P-12
19-40	022056	O-Ring	2	2	P7
19-41	148709	Cover	2	2	
19-42	148710	Rubber Plate	2	2	16X24XT1.5
19-43	688622	Nipple	2	2	R1/4-G1/4
19-44	091376	Plug Ass'y	2	2	G1/4 Incl.45
19-45	023170	O-Ring	2	2	P12.5

19. BSM201-2JP/BSM201-3JP
OPTION-2



Ref. No.	Parts No.	Parts Name	Q'ty		Remarks
			2JP	3JP	
19-46	130152	Nipple	2	2	R1/4XG3/8
19-47	089961	Screw	4	4	ST3.5X24
19-48	881556	Stay	2	2	
19-49	881550	Plate Nut	2	2	M8
19-50	126763	Bolt	4	4	M8X20(SM)
19-51	881551	Stay Comp.	8	8	
19-52	092515	Bolt	8	8	M6X14
19-53	881552	Hose Ass'y	2	2	10X2SX300L Incl.54
19-54	111569	Packing	4	4	9.5X15XT1.5
19-55	881557	Instruction Manual	1	1	

20. BSM201-2JP/BSM201-3JP
OPTION-3



Ref. No.	Parts No.	Parts Name	Q'ty		Remarks
			2JP	3JP	
20-1	881558	Grass Divider Ass'y	1	1	Incl.2-15
20-2	881559	Stay	1	1	
20-3	881560	Stay	1	1	
20-4	881561	Stay	1	1	
20-5	881562	Stay	1	1	
20-6	688793	Bolt	8	8	M8X20
20-7	110176	Nut	8	8	M8
20-8	881563	Pipe Comp.	1	1	
20-9	881568	Pipe Comp.	1	1	
20-10	104309	Nut	8	8	M6
20-11	550173	Bolt	8	8	M6X16
20-12	881572	Pipe Comp.	1	1	
20-13	881575	Pipe Comp.	1	1	
20-14	881576	Cap	8	8	
20-15	881571	Instruction Manual	1	1	
20-16	881577	Cock Kit	1	1	Incl.17-30
20-17	881578	Adapter	1	1	
20-18	058464	Nipple	2	2	PT3/8XPF3/8
20-19	014179	O-Ring	1	1	P20
20-20	082194	Bolt	2	2	M6X95X18
20-21	126568	Spring Washer	2	2	M6
20-22	120835	Ball Cock	1	1	G3/8XR3/8
20-23	881579	Extension	1	1	G3/8XR3/8
20-24	881580	Hose Ass'y	1	1	10X2SX650L Incl.25
20-25	111569	Packing	2	2	9.5X15XT1.5
20-26	881582	Hose Ass'y	1	1	10X2SX700L Incl.27
20-27	111569	Packing	2	2	9.5X15XT1.5
20-28	862939	Magic Band	2	2	
20-29	685050	Band	2	2	CV-350B
20-30	881583	Instruction Manual	1	1	