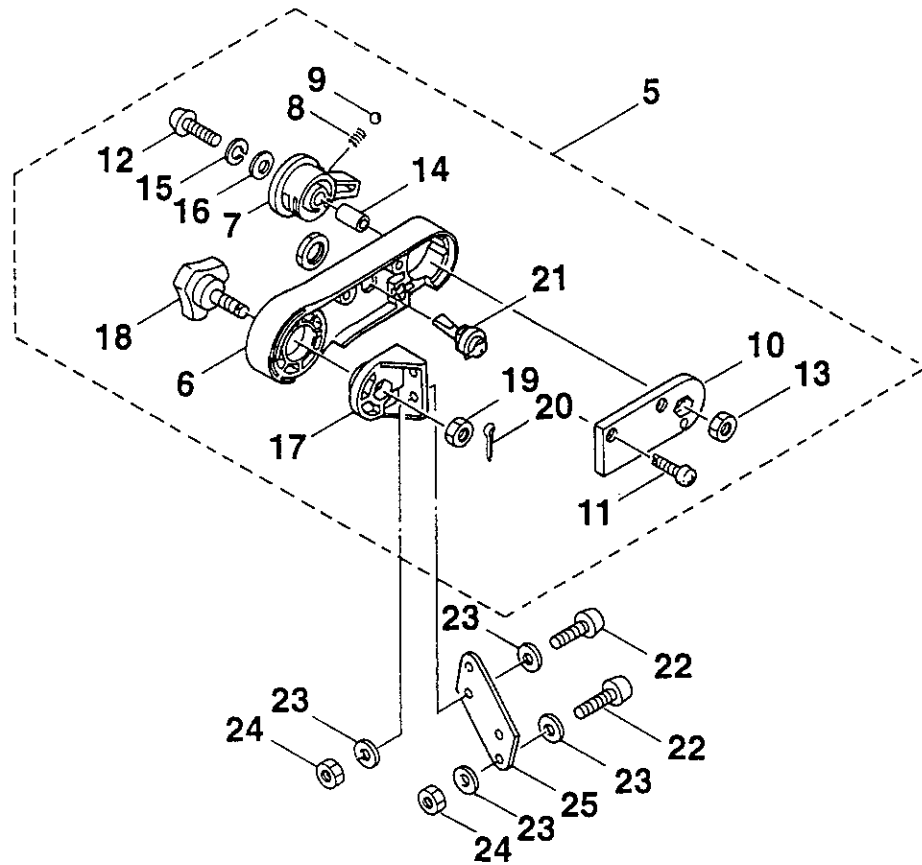
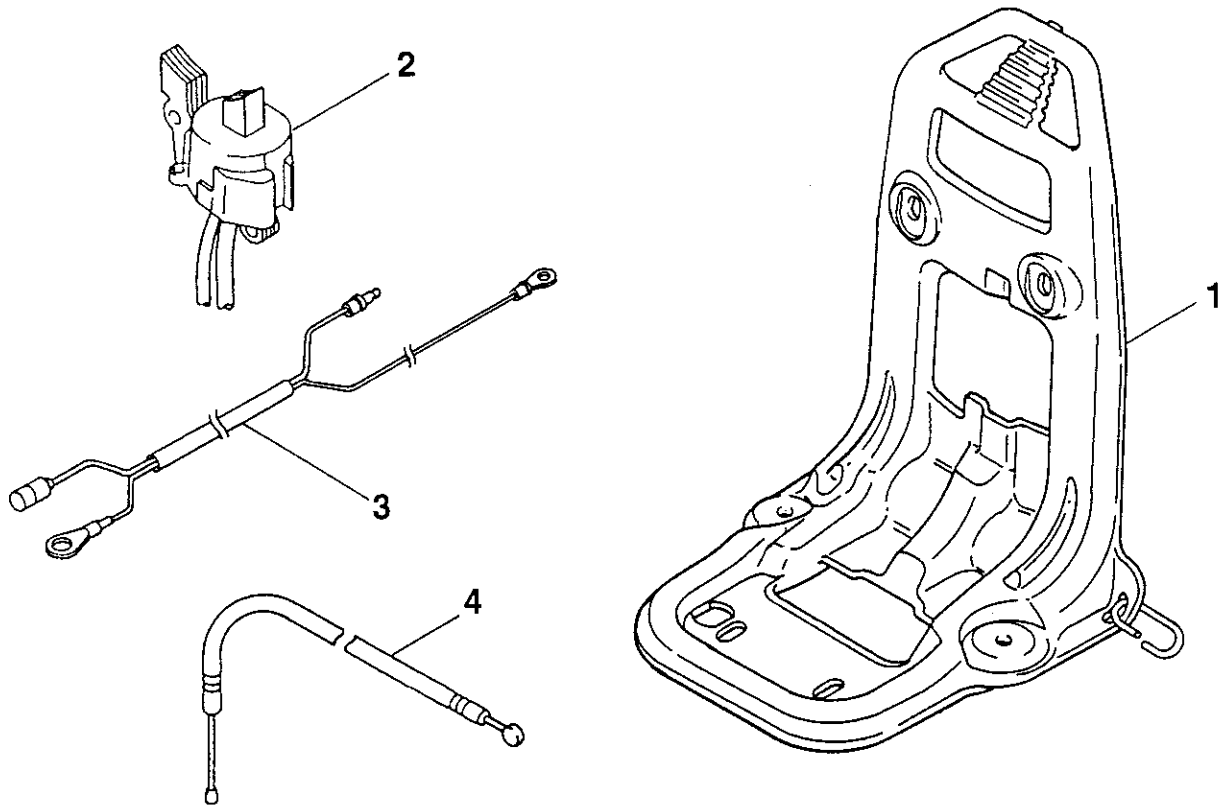


# Models BL400-2 & BL480-2



## Models BL400-2 & BL480-2

Ref. No.	Part No.	Description	Q'ty		Remarks
			BL400-2	BL480-2	
1	115607	Backpack Frame	1	1	
2	597262	Ignition Coil	1	1	
3	117601	Wire	1	1	
4	117600	Throttle Cable	1	1	
5	117622	Throttle Lever Assembly	1	1	Includes 6-21 (•)
6	107126	•Arm	1	1	
7	107127	•Lever	1	1	
8	107221	•Spring	1	1	
9	106498	•Ball	1	1	5/32 (φ3.9688)
10	107129	•Stay	1	1	
11	019001	•Tapping Screw	2	2	M4 × 10
12	081457	•Screw	1	1	M6 × 25
13	081031	•Nut	1	1	M6
14	107136	•Collar	1	1	φ6.6 × φ8 × 15L
15	012502	•Spring Washer	1	1	M6
16	012488	•Washer	1	1	M6
17	115605	•Flange	1	1	
18	115612	•Knob Bolt	1	1	M8 × 25
19	107581	•Nylon Nut	1	1	M8
20	065842	•Cotter Pin	1	1	2 × 15L
21	117623	•Switch	1	1	
22	081456	Screw	4	2	M6 × 20
23	013754	Washer	8	4	M6
24	112509	Nut	4	2	M6
25	117603	Plate	1	-	



**Maruyama U.S., Inc.**  
3570 Shelby Lane  
Denton, TX 76207  
940-383-7400 voice  
940-383-7466 fax

**[www.maruyama-us.com](http://www.maruyama-us.com)**