



MARUYAMA U.S., INC.

15436 N.E. 95th St., Redmond, Washington 98052
P.O. Box 2167, Redmond, Washington 98073-2167
Phone (206) 885-0811 Fax (206) 885-0123

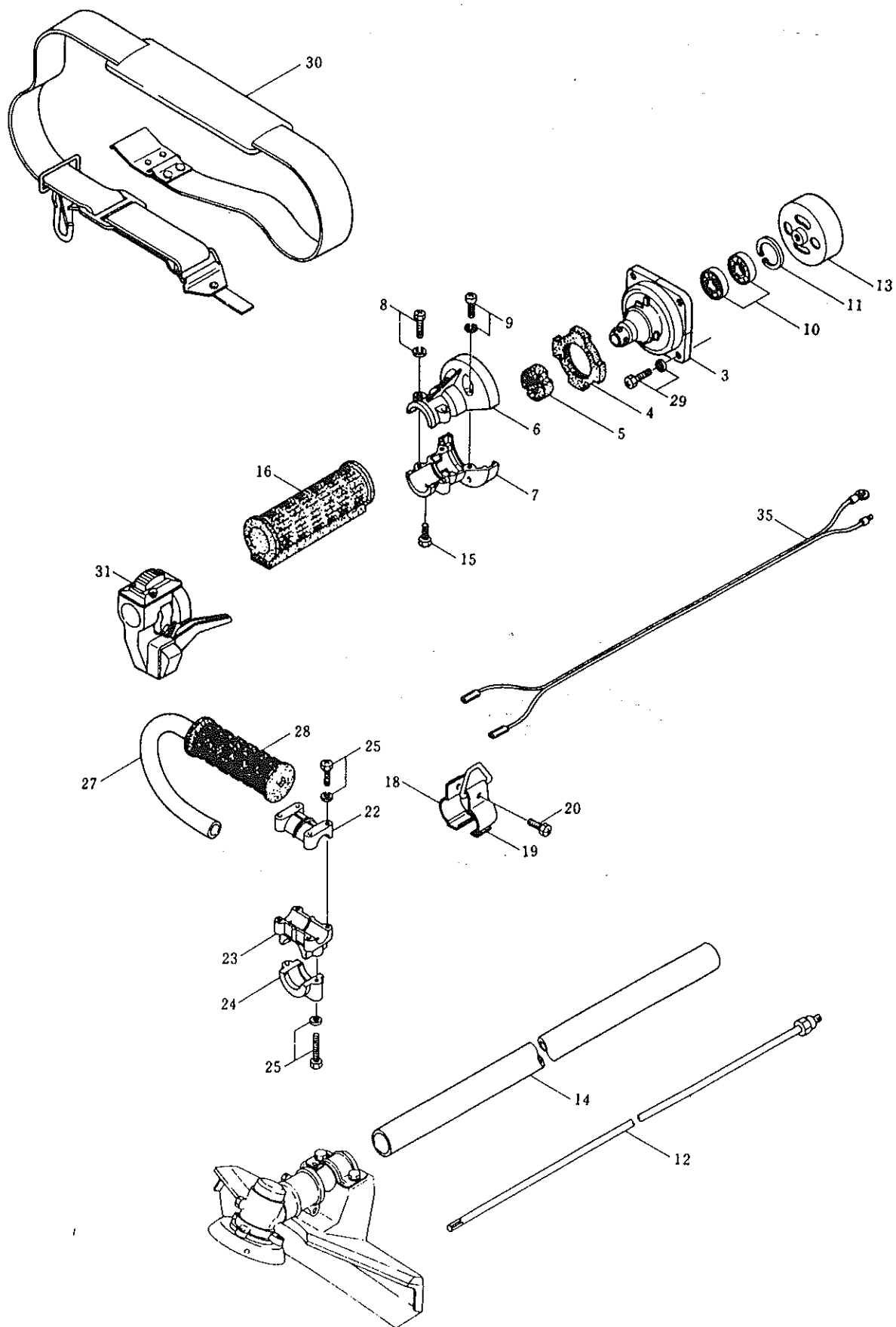
**PARTS LIST
MODEL BCM 241**

October 1, 1988

PARTS LIST

MODEL BCM241

1. MAIN BODY



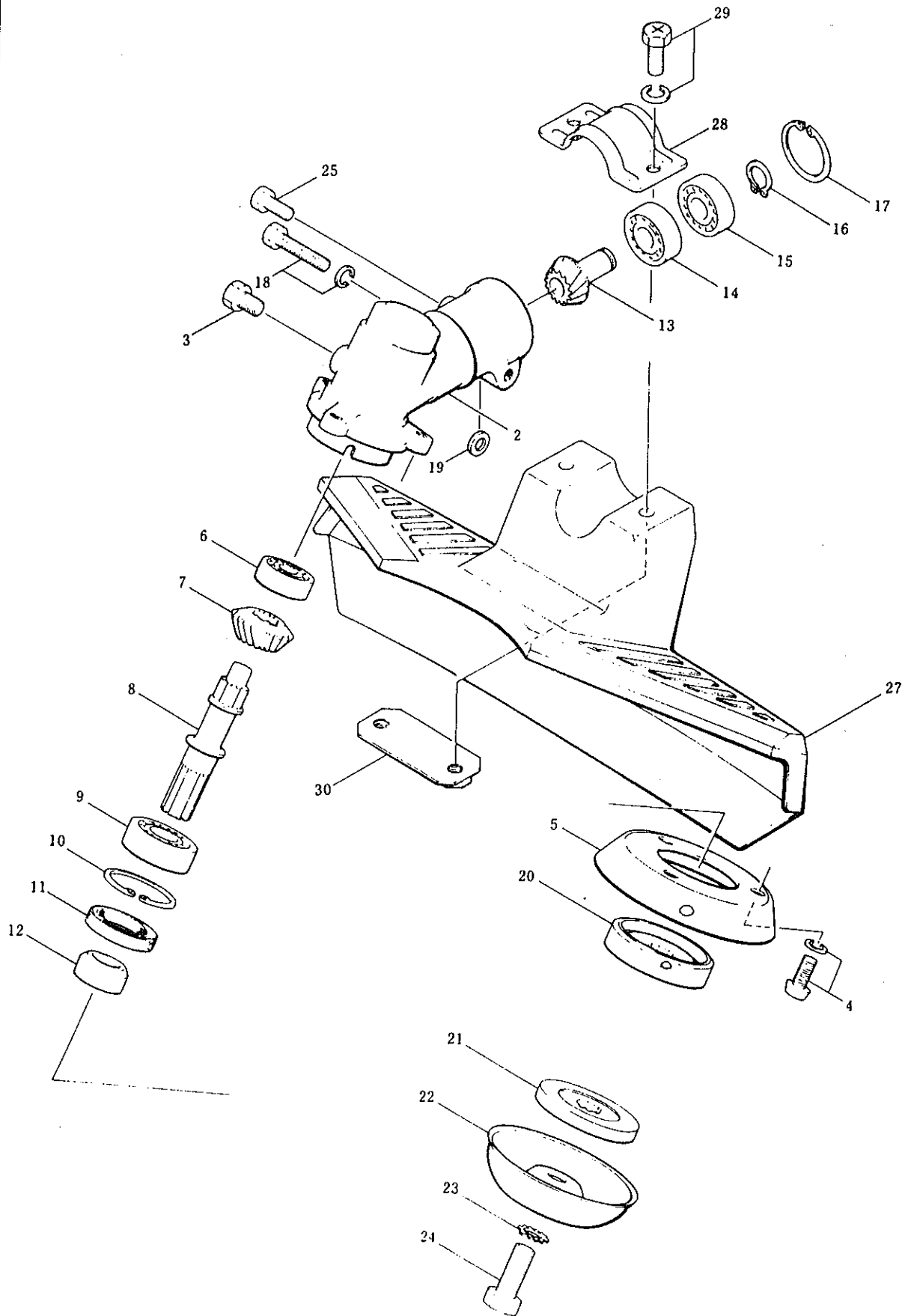
MARUYAMA U.S., INC.

Ref.No.	Parts No.	Parts Name	Q'ty	Ref.No.	Parts No.	Parts Name	Q'ty
1-1	345016	BCM241	1				
1-2	210532	Clutch case, ass'y	1				
1-3	210533	. Bearing case	1				
1-4	210534	. Buffer (A)	1				
1-5	210535	. Buffer (B)	1				
1-6	210536	. Outer transmission pipe bracket (A)	1				
1-7	210537	. Outer transmission pipe bracket (B)	1				
1-8	092550	. Bolt (M5X25-7T)	2				
1-9	092082	. Screw (M5X20)	2				
1-10	054675	. Bearing (#6000UU)	2				
1-11	054676	. Snap ring (#26)	1				
1-12	211463	Inner transmission shaft, ass'y	1				
1-13	211465	Clutch drum	1				
1-14	212399	Outer transmission pipe	1				
1-15	089771	Bolt (M5X10-7T)	1				
1-16	054975	Knob	1				
1-17	054691	Hanging bracket, ass'y	1				
1-18	054692	. Hanging bracket (A)	1				
1-19	054695	. Hanging bracket (B)	1				
1-20	089738	. Bolt (M5X15)	1				
1-21	211288	Handle bracket, ass'y	1				
1-22	210544	. Handle bracket (A)	1				
1-23	210545	. Handle bracket (B)	1				
1-24	210546	. Handle bracket (C)	1				
1-25	092550	. Bolt (M5X25-7T)	6				
1-26	057704	Handle, ass'y	1				
1-27	057705	. Handle	1				
1-28	054974	. Handle knob	1				
1-29	092552	Bolt (M6X20)	4				
1-30	210781	Hanging strap, ass'y	1				
1-31	212053	Throttle lever	1				
1-32	212384	Lead wire	1				

PARTS LIST

MODEL BCM241

2. GEAR CASE



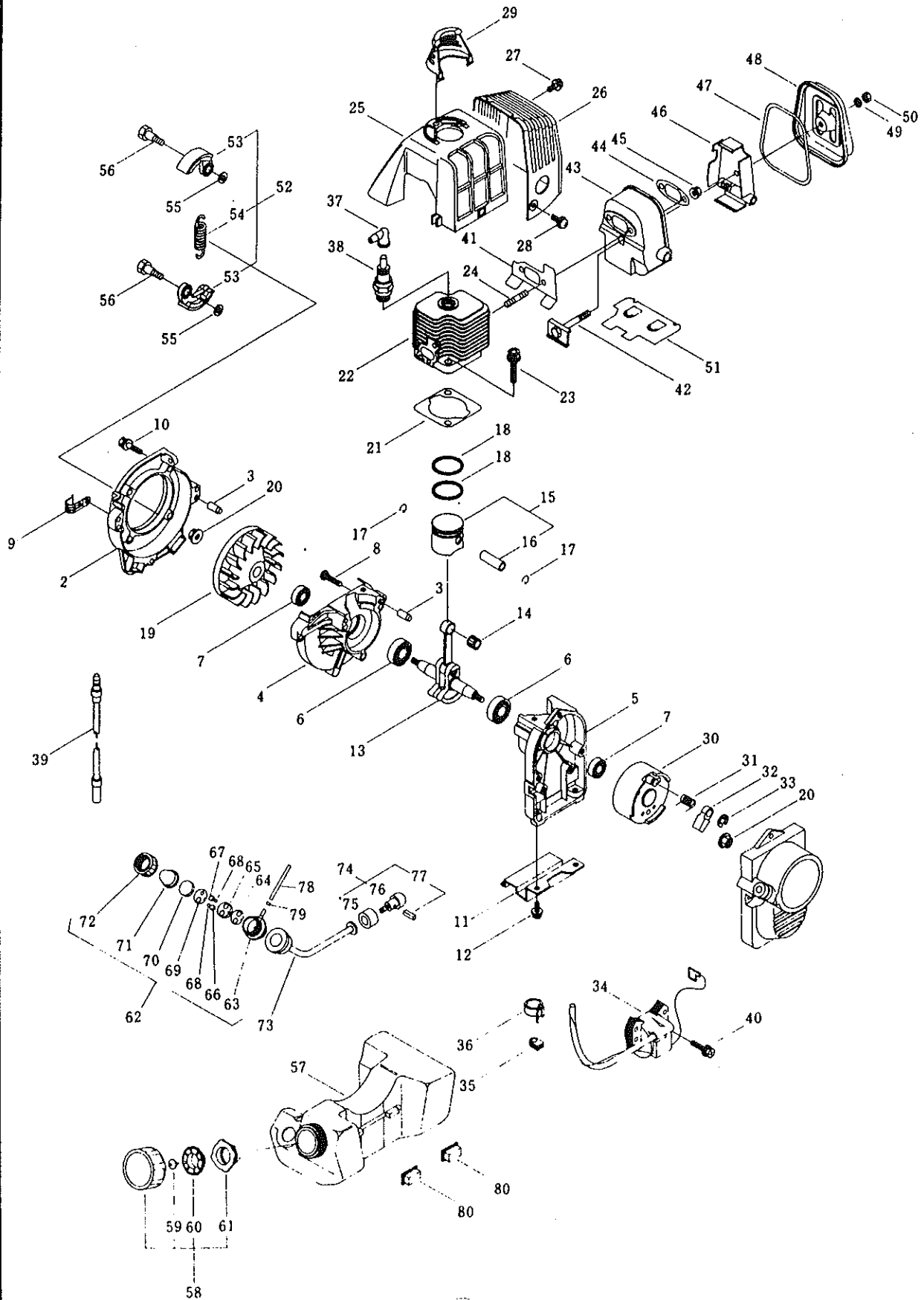
MARUYAMA U.S., INC.

Ref.No.	Parts No.	Parts Name	Q'ty	Ref.No.	Parts No.	Parts Name	Q'ty
2-1	211468	Gear case, ass'y	1				
2-2	210552	Gear case	1				
2-3	082092	Bolt (M6X8)	1				
2-4	092084	Screw (M5X8)	3				
2-5	210553	Stabilizer	1				
2-6	210554	Bearing (#608)	1				
2-7	210555	Gear	1				
2-8	210556	Blade axis	1				
2-9	019585	Bearing (#6001)	1				
2-10	055185	Snap ring (#28)	1				
2-11	059394	Oil seal (D19 28 6)	1				
2-12	054736	Collar, blade axis	1				
2-13	211470	Pinion gear	1				
2-14	210560	Bearing (#609)	1				
2-15	140268	Bearing (#609Z)	1				
2-16	140269	Snap ring (#9)	1				
2-17	140270	Snap ring (#24)	1				
2-18	092561	Bolt (M5X25-7T)	1				
2-19	211177	Packing ($\phi 5.5 \times \phi 12 \times t 0.5$)	1				
2-20	210557	Boss (A)	1				
2-21	140275	Boss (B)	1				
2-22	210558	Stabilizer	1				
2-23	210309	Toothed washer (B-8, Counterclockwise)	1				
2-24	089432	Bolt (M8X18, Counterclockwise)	1				
2-25	089771	Bolt (M5X10-7T)	1				
2-26	210412	Safety cover, ass'y	1				
2-27	210311	Safety cover	1				
2-28	210413	Bracket	1				
2-29	092555	Bolt (M6X30)	2				
2-30	210313	Safety cover bracket	1				

PARTS LIST

MODEL BCM241

3. ENGINE (CRANK CASE, CYLINDER)



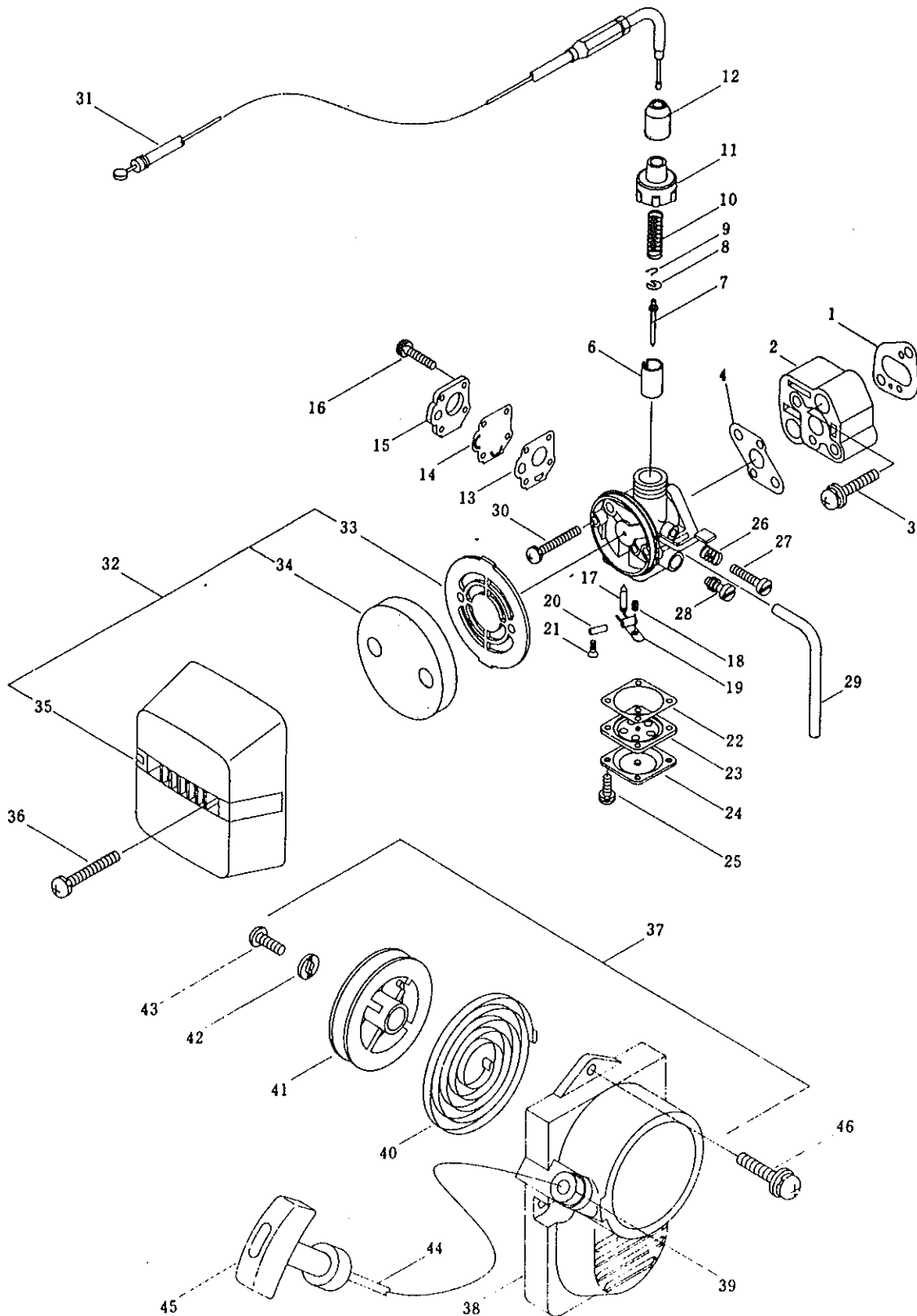
MARUYAMA U.S., INC.

Ref. No.	Parts No.	Parts Name	Q'ty	Ref. No.	Parts No.	Parts Name	Q'ty
3-1	260446	M241BDA, ass'y	1	3-41	260499	Gasket	1
3-2	260006	Fan case	1	3-42	260502	Plate bolt	1
3-3	260005	Dowel pin (5X15L)	4	3-43	260498	Muffler body	1
3-4	260003	Drive case	1	3-44	260077	Plate	1
3-5	260004	Starter case	1	3-45	990135	Nut (M6)	2
3-6	972893	Ball bearing (#6001)	2	3-46	260514	Plate	1
3-7	912612	Oil seal (TC12 22 7)	2	3-47	260081	Gasket	1
3-8	081417	Screw (M5X25)	3	3-48	260080	Muffler cover	1
3-9	260223	Clamp	1	3-49	970631	Gasket	1
3-10	550047	Bolt (M5X25)	3	3-50	260504	Nut (M6X1.0)	1
3-11	260007	Stand	1	3-51	260087	Gasket	1
3-12	260008	Screw (M6X12)	2	3-52	912643	Clutch, ass'y	1
3-13	260018	Crankshaft, ass'y	1	3-53	972808	Flyweight	2
3-14	972869	Needle bearing	1	3-54	260105	Clutch spring	1
3-15	972821	Piston set	1	3-55	912642	Washer ($\phi 6 \times \phi 16 \times 1.2$)	2
3-16	990675	Piston pin	1	3-56	990679	Clutch bolt	2
3-17	972823	Clip	2	3-57	260461	Fuel tank, ass'y	1
3-18	972822	Top ring	2	3-58	260463	Fuel tank cap, ass'y	1
3-19	260026	Fan	1	3-59	977316	Breather valve	1
3-20	990135	Nut (M6)	2	3-60	977318	Holder	1
3-21	260011	Cylinder gasket	1	3-61	260309	Gasket	1
3-22	260010	Cylinder	1	3-62	260109	Priming pump, ass'y	1
3-23	978836	Bolt (M6X30)	2	3-63	260110	Priming pump body	1
3-24	085111	Stud bolt	2	3-64	972819	Gasket (B)	1
3-25	260449	Cylinder cover	1	3-65	972811	Gasket	1
3-26	260450	Muffler cover	1	3-66	260112	Sponge	1
3-27	260064	Screw (M5X20)	1	3-67	972817	Sponge	1
3-28	092067	Screw (M4X15)	1	3-68	972813	Ball	2
3-29	260451	Spark plug guard	1	3-69	972812	Gasket	1
3-30	260032	Rotor	1	3-70	972818	Gasket	1
3-31	260034	Return spring	1	3-71	260111	Cap	1
3-32	260033	Ratchet	1	3-72	991908	Cap	1
3-33	947557	Snap ring	1	3-73	260117	Fuel tube	1
3-34	260438	Ignition coil	1	3-74	260113	Fuel filter, ass'y	1
3-35	260044	Grommet	1	3-75	260115	Felt	1
3-36	260045	Band	1	3-76	260114	Weight	1
3-37	977306	Plug cap	1	3-77	260116	Sponge	1
3-38	910519	Spark plug (BM6A)	1	3-78	260372	Fuel tube ($\phi 3 \times \phi 5 \times 70L$)	1
3-39	996515	Lead wire	1	3-79	971781	Clip	1
3-40	550047	Bolt (M5X25)	2	3-80	260118	Pad	4

PARTS LIST

MODEL BCM241

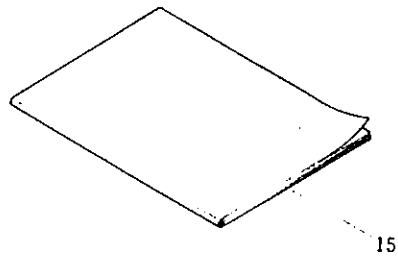
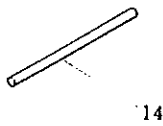
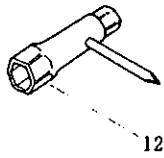
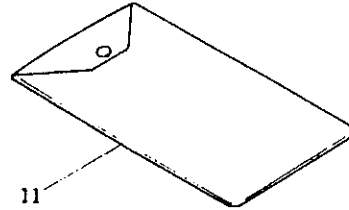
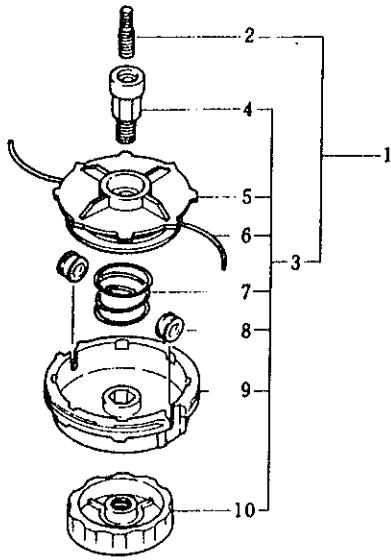
4. ENGINE (CARBURETOR, RECOIL STARTER)



MARUYAMA U.S., INC.

Ref. No.	Parts No.	Parts Name	Q'ty	Ref. No.	Parts No.	Parts Name	Q'ty
4-1	260061	Gasket	1	4-41	260093	. Reel	1
4-2	260062	Insulator	1	4-42	260096	. Washer	1
4-3	260064	Screw (M5X20)	2	4-43	260095	. Screw	1
4-4	260065	Gasket	1	4-44	972832	. Starter rope	1
4-5	260047	Carburetor, ass'y	1	4-45	260098	. Starter knob	1
4-6	260050	. Throttle valve	1	4-46	260064	Screw (M5X20)	3
4-7	260049	. Jet needle	1				
4-8	260048	. Retainer	1				
4-9	260059	. Clip	1				
4-10	972853	. Return spring	1				
4-11	977566	. Cap	1				
4-12	260058	. Cap	1				
4-13	972865	. Gasket	1				
4-14	260055	. Diaphragm	1				
4-15	260056	. Cover	1				
4-16	972887	. Screw (M3X12)	4				
4-17	972858	. Needle valve	1				
4-18	972859	. Spring	1				
4-19	972857	. Float arm	1				
4-20	972856	. Float pin	1				
4-21	972860	. Screw	1				
4-22	977533	. Gasket	1				
4-23	260052	. Diaphragm	1				
4-24	260053	. Cover	1				
4-25	260054	. Screw (M3X8)	4				
4-26	991097	. Spring	1				
4-27	260051	. Idle screw	1				
4-28	977567	. Jet needle	1				
4-29	971739	Fuel tube ($\phi 3 \times \phi 5 \times 150L$)	1				
4-30	977534	Screw (M5X48X20)	2				
4-31	260306	Throttle wire	1				
4-32	260453	Air cleaner, ass'y	1				
4-33	991098	. Grid	1				
4-34	972844	. Cleaner element	1				
4-35	260454	. Cleaner case	1				
4-36	260073	Screw (M4X25)	2				
4-37	260457	Recoil starter, ass'y	1				
4-38	260458	. Starter case	1				
4-39	260495	. Rope guide	1				
4-40	260094	. Spring	1				

5. ACCESSORIES



MARUYAMA U.S., INC.

Ref.No.	Parts No.	Parts Name	Q'ty	Ref.No.	Parts No.	Parts Name	Q'ty
5-1	211088	Nylon cutter, ass'y	1				
5-2	210244	. Setting bolt	1				
5-3	211089	. Nylon cutter	1				
5-4	210800	.. Shaft bolt	1				
5-5	211090	.. Spool	1				
5-6	210801	.. Nylon cord	1				
5-7	210802	.. Spring	1				
5-8	210803	.. Cord guide	2				
5-9	211091	.. Housing	1				
5-10	211092	.. Knob	1				
5-11	054753	Tool bag	1				
5-12	210418	Box spanner (13X19X⊕)	1				
5-13	022865	Double-ended wrench (8X10)	1				
5-14	210181	Handle (ϕ3.5X170)	1				
5-15	213142	Instruction manual	1				



Maruyama U.S., Inc.
3570 Shelby Lane
Denton, TX 76207
940-383-7400 voice
940-383-7466 fax

www.maruyama-us.com