

Is Your Product Registered?

Contact your Dealer to verify.

Warranties are based on Registrations and reduced to 1 year without
Registration.

MARUYAMA

ILLUSTRATED PARTS LIST

BC3021

BRUSHCUTTER



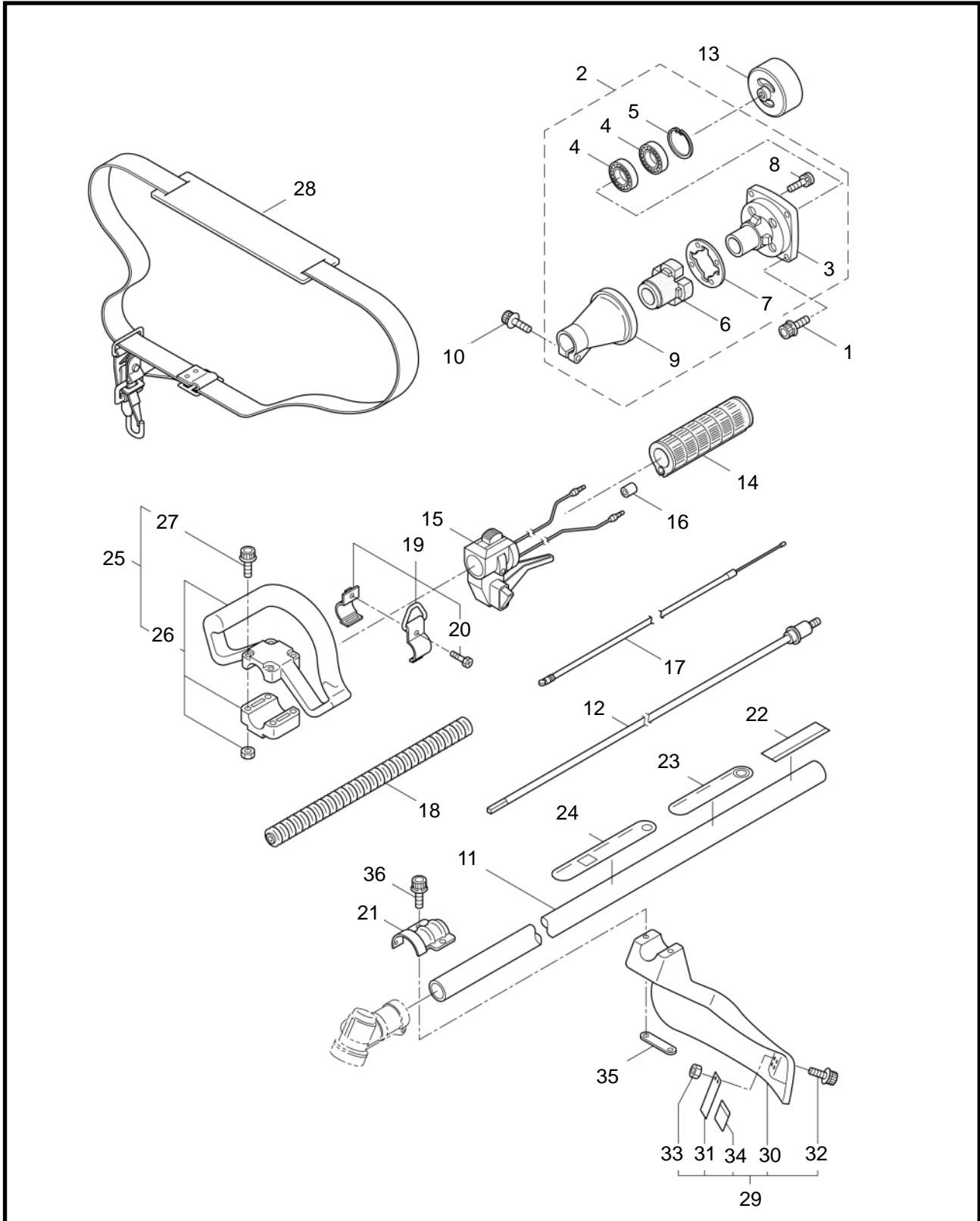
BC3021
BRUSHCUTTER
PART 845468-REV12/06



Maruyama. *E x t r a o r d i n a r y .*

2 ILLUSTRATED PARTS LIST
BC3021

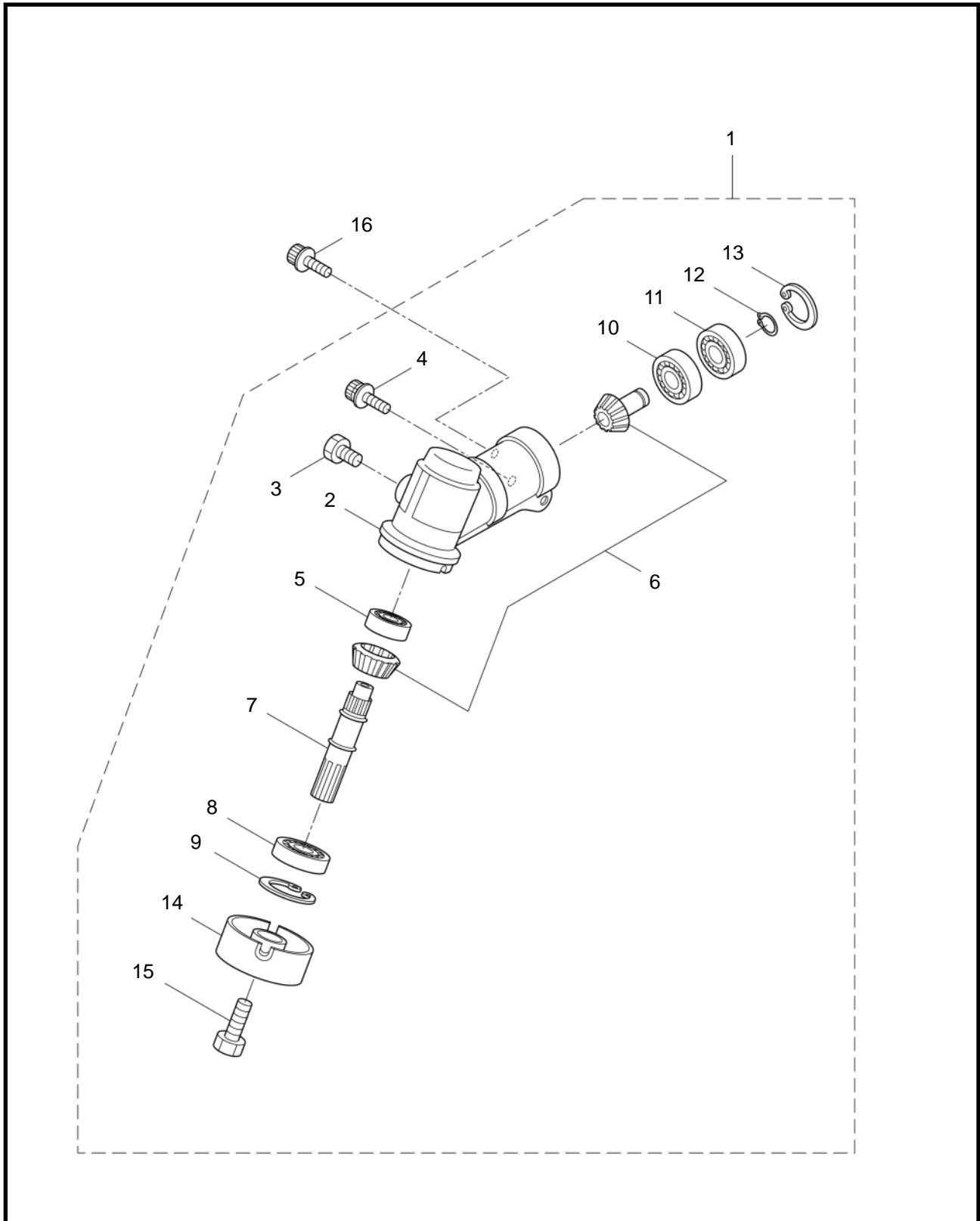
MAIN BODY



REF #	PART #	DESCRIPTION	Q'TY.	NOTES
1	261250	Bolt	4	M5x20
2	215512	Clutch Case Ass'y	1	Incl.3-9
3	214592	Bearing Case	1	
4	214161	Bearing	2	#6000ZZ
5	054676	Snap Ring	1	#26
6	214162	Buffer	1	
7	214163	Washer	1	
8	092033	Screw	4	M5x15
9	214593	Driveshaft Tube Adapter	1	
10	261246	Bolt	1	M5x25
11	223817	Driveshaft Tube	1	
12	219268	Driveshaft Ass'y	1	
13	054677	Clutch Drum	1	
14	215532	Shaft Grip	1	
15	221465	Throttle Trigger	1	
16	214083	Outer Guide	1	
17	213444	Throttle Wire	1	340L I/O 66.5
18	213548	Tube	1	#10 200L
19	054691	Hanging Bracket Ass'y	1	Incl.20
20	089738	Bolt	1	M5x15
21	225962	Bracket	1	T1.6
22	227858	Label	1	BC3021
23	221501	Label	1	Warning
24	221502	Label	1	Caution
25	227816	Loop Handle Ass'y	1	Incl. 26-27
26	222139	Loop Handle	1	
27	215608	Bolt	4	M5x30x16
28	220533	Hanging Strap Ass'y	1	
29	226300	Cover Ass'y	1	Incl.30-34
30	225961	Cover	1	
31	222900	String Cutter	1	
32	227817	Bolt	2	M5x12
33	089846	Nut	2	M5
34	212972	String Cutter Cover	1	
35	225963	Threaded Bracket	1	T1.6
36	261612	Bolt	2	M5x30

4 ILLUSTRATED PARTS LIST
BC3021

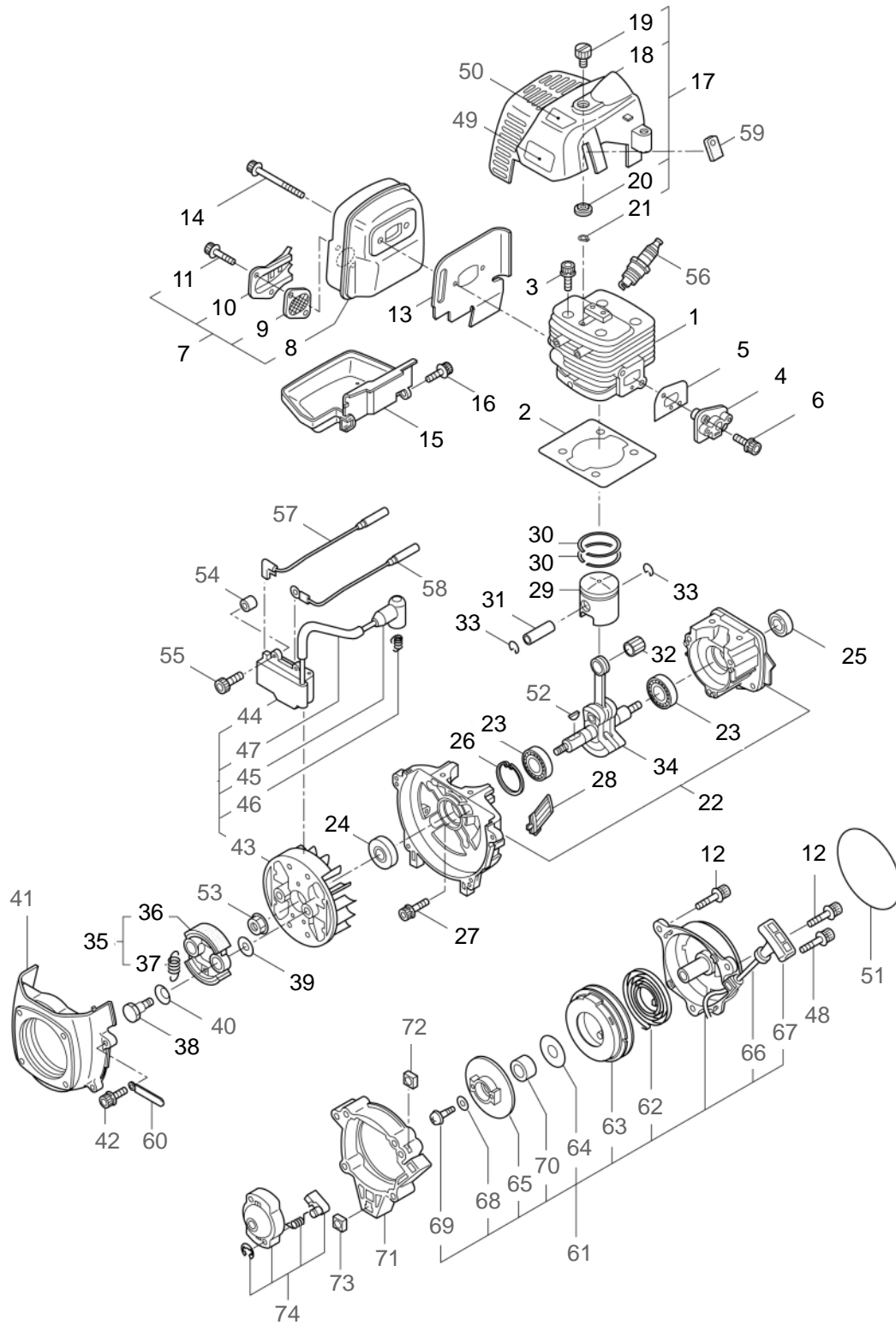
GEAR CASE



REF #	PART #	DESCRIPTION	Q'TY.	NOTES
1	225959	Gearcase Ass'y	1	Incl.2-15
2	225960	Gearcase	1	
3	089884	Bolt	1	M8x10
4	261246	Bolt	1	M5x25
5	210554	Bearing	1	#608
6	227106	Gear Set	1	
7	215762	Blade Shaft	1	
8	212999	Bearing	1	#6001 2RK
9	055185	Snap Ring	1	#28
10	210560	Bearing	1	#609
11	140268	Bearing	1	#609Z
12	140269	Snap Ring	1	WR9
13	140270	Snap Ring	1	#24
14	222890	Blade Boss	1	
15	221998	Bolt	1	M8x12, LH
16	261233	Bolt	1	M5x12

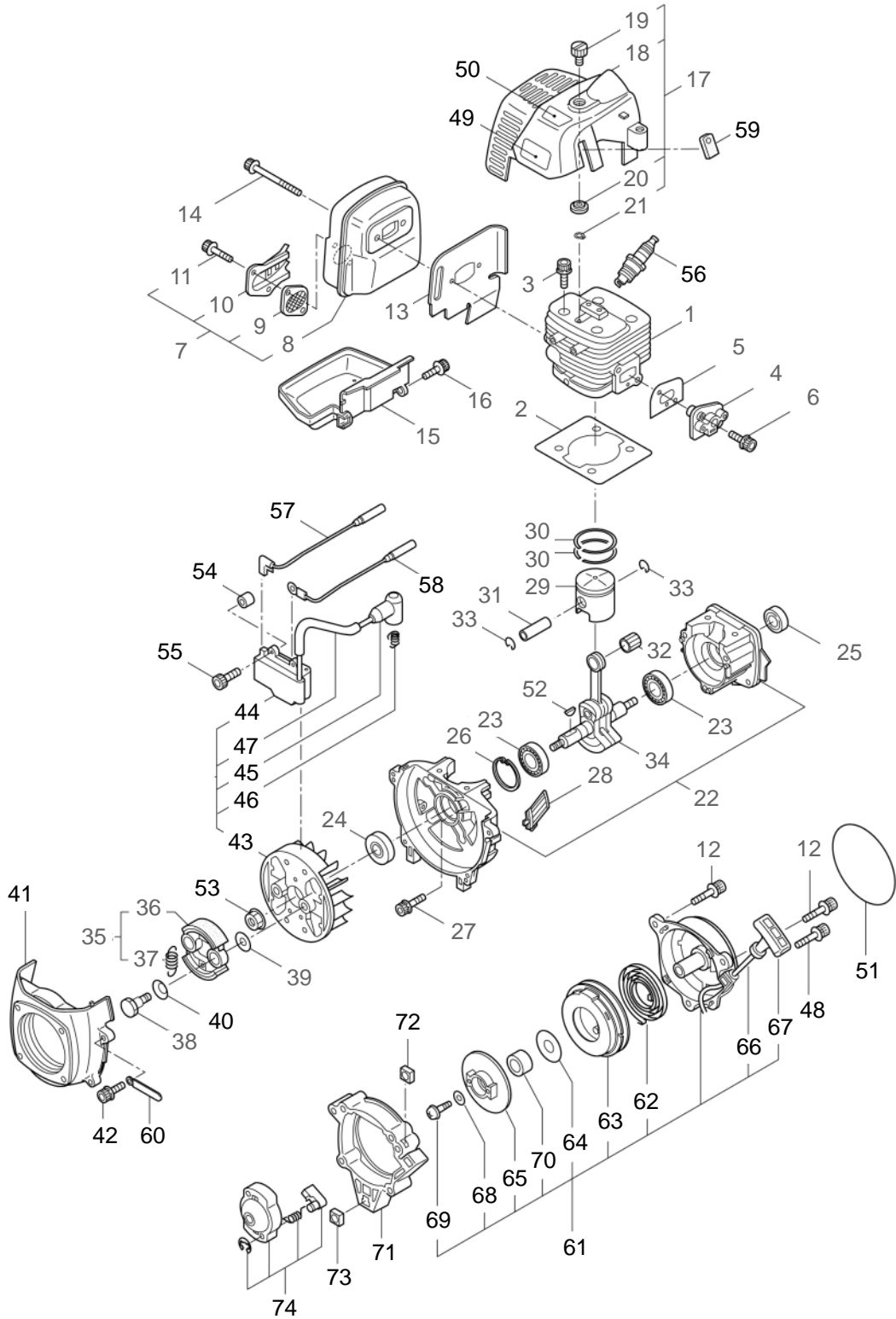
6 ILLUSTRATED PARTS LIST
BC3021

ENGINE



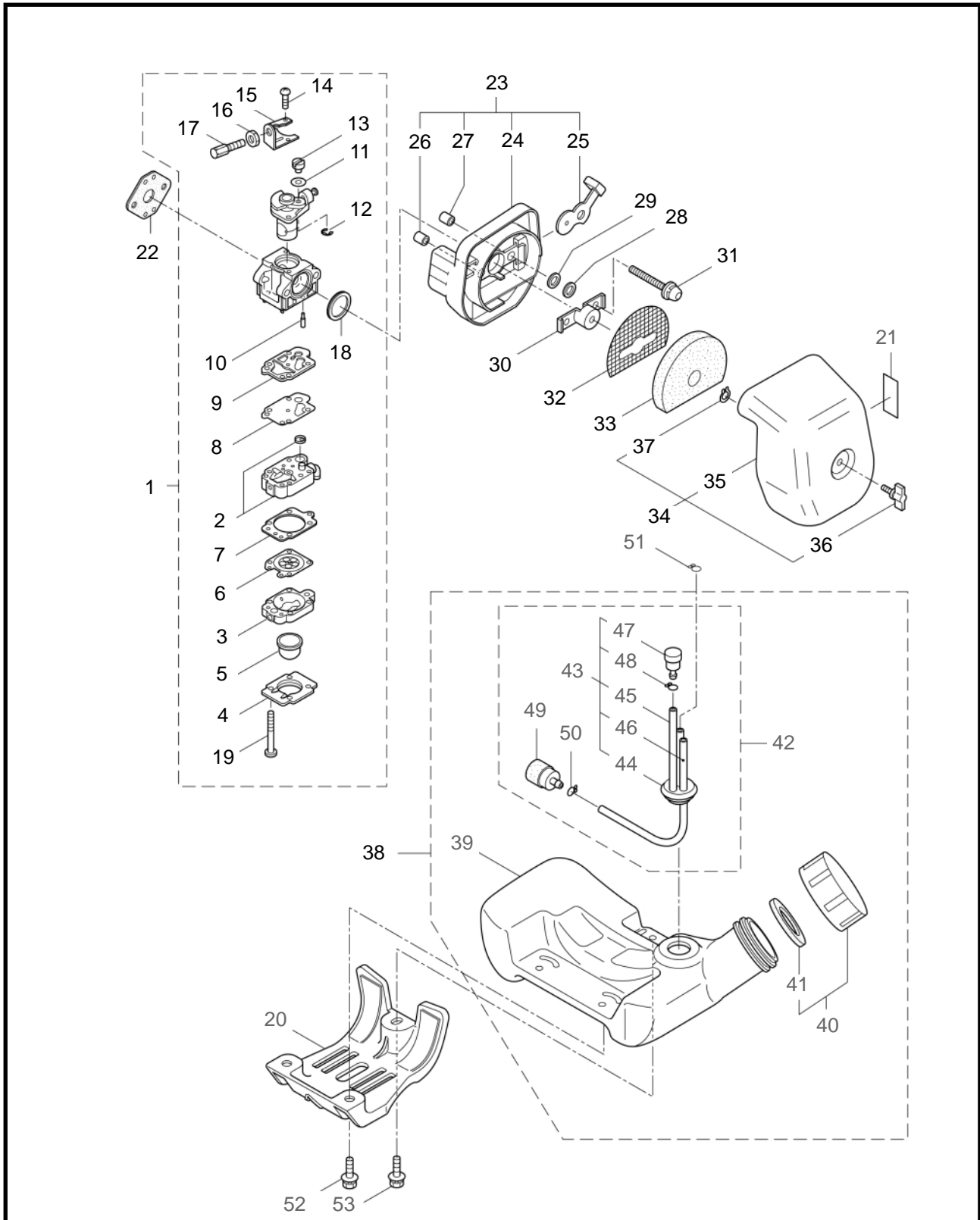
Ref #	Part #	Description	Q'ty.	Notes
1	282400	Cylinder	1	
2	282537	Gasket	1	
3	261250	Cap Screw	4	M5x20
4	269144	Insulator	1	New gasket required
5	267049	Gasket	1	
6	265924	Cap Screw	2	M5x0.8x25L WSW
7	283007	Muffler Ass'y	1	Incl.8-11
8	283003	Muffler Comp.	1	
9	267056	Spark Arrester	1	
10	268171	Muffler Tail	1	
11	265107	Cap Screw	2	M4x10
12	269273	Cap Screw	2	M4x20
13	281440	Gasket	1	
14	266402	Screw	2	M5x55
15	281435	Under Cover	1	
16	267191	Screw	1	M5x16
17	281742	Top Cover Ass'y	1	Incl.18-21
18	281434	Top Cover	1	
19	261018	Knob	1	
20	261020	Spacer	1	
21	261734	Snap Ring	1	#5
22	268241	Crankcase	1	
23	261491	Bearing	2	#6001
24	261492	Oil Seal	1	ISCD12287
25	261386	Oil Seal	1	ISCD12227
26	055185	Snap Ring	1	#28
27	261612	Cap Screw	3	M5x30
28	281442	Screen	1	
29	268782	Piston	1	
30	265067	Piston Ring	2	(2) required
31	265068	Piston Pin	1	
32	265225	Bearing, Needle	1	
33	261393	Clip, Piston	2	
34	265141	Crankshaft/Conn.Rod Ass'y	1	
35	268439	Clutch Ass'y	1	Incl. 36-37
36	267342	Clutch Shoe	2	(2) required
37	267345	Spring,Clutch	1	
38	264505	Bolt	2	
39	261189	Washer	2	6x16.5xT1.2

ENGINE



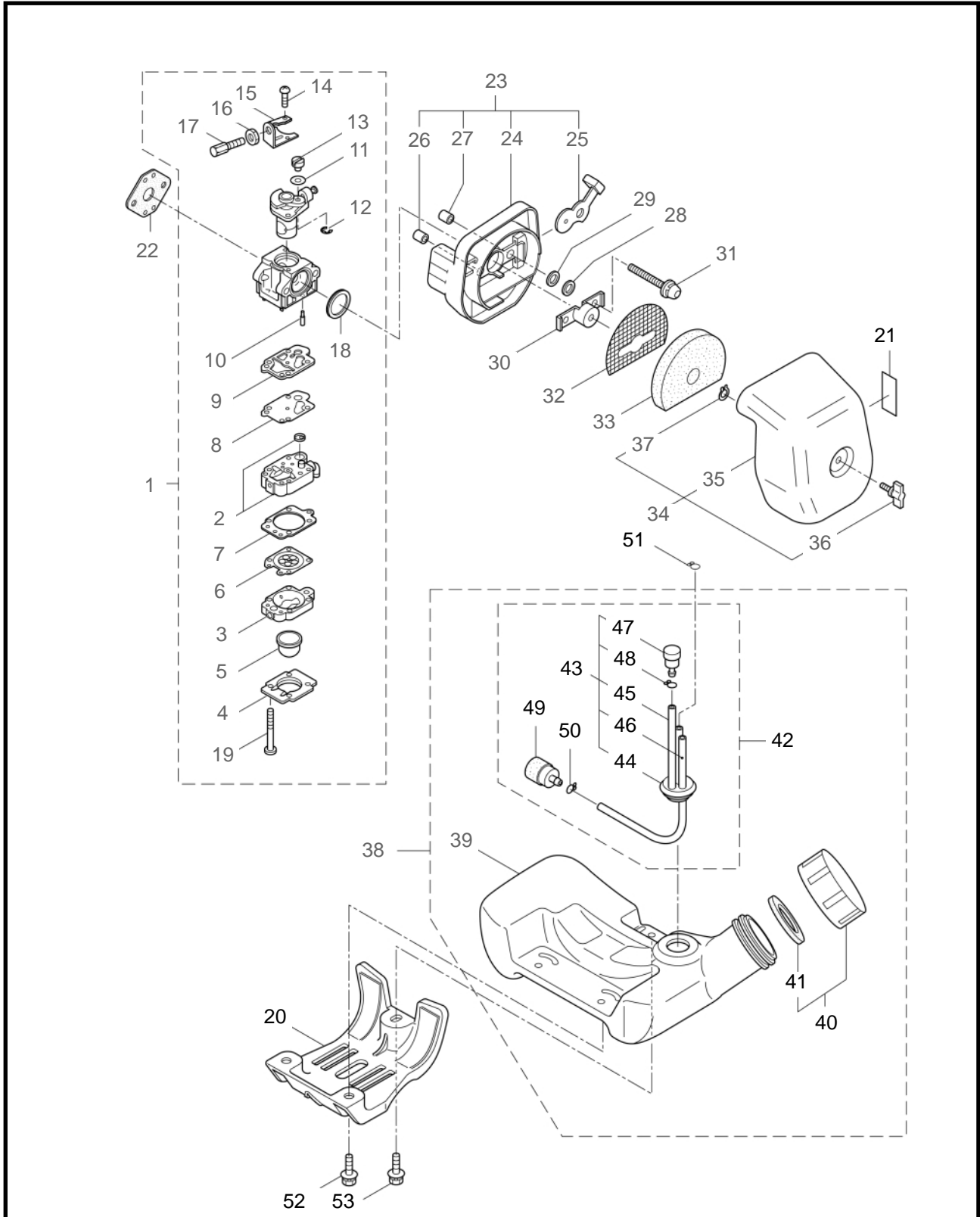
REF #	PART #	DESCRIPTION	Q'TY.	NOTES
40	261777	Wave Washer	2	
41	281433	Fan Cover	1	
42	261250	Cap Screw	4	M5x20
43	269807	Rotor/Fan	1	
44	281746	Ignition Coil Ass'y	1	Incl.45-47
45	269714	Plug Boot	1	
46	269715	Connector	1	
47	281756	Insulator	1	
48	265726	Cap Screw	5	M4x16
49	282810	Label	1	MUS EPA CER300
50	282558	Label	1	
51	282544	Label	1	
52	261076	Woodruff Key	1	
53	261417	Nut, Rotor	1	M8
54	268380	Spacer	2	
55	261256	Cap Screw	2	M4x25
56	261200	Spark Plug	1	NGK BPM6Y
57	269722	Lead	1	165L
58	268044	Lead	1	135L
59	269189	Grommet	1	
60	264588	Clamp	1	
61	282690	Recoil Ass'y	1	Incl. 62-70
62	269495	Recoil Spring	1	
63	282689	Spring Case Ass'y	1	
64	280114	Thrust Disk	1	
65	282619	Pulley	1	
66	269499	Rope	1	
67	269500	Starter Grip	1	
68	269501	Washer	1	
69	269502	Tapping Screw	1	
70	269706	Bush	1	
71	281534	Adapter	1	
72	280008	Nut	3	M4
73	269423	Nut	1	M5
74	269492	Starter Pawl Assembly	1	

CARBURETOR AND FUEL TANK



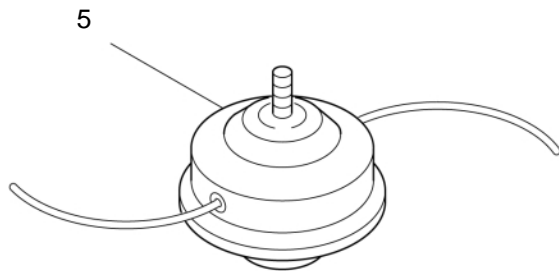
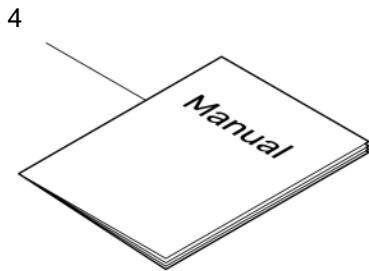
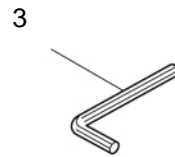
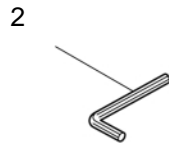
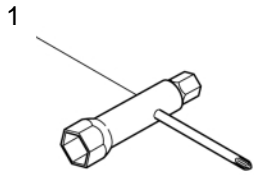
REF #	PART #	DESCRIPTION	Q'TY.	NOTES
1	282542	Carburetor Ass'y	1	Incl.2-19
2	264155	Pump Body	1	
3	262991	Purge Body	1	
4	262992	Cover Plate	1	
5	261874	Primer Bulb	1	
6	268501	Diaphragm, Metering	1	
7	262993	Gasket	1	
8	262994	Diaphragm, Fuel Pump	1	
9	282576	Gasket	1	
10	282753	Needle	1	
11	264678	Washer	1	
12	261876	E-Ring	1	
13	261658	Swivel	1	
14	261875	Screw	2	
15	264677	Bracket	1	
16	261878	Nut	1	
17	263994	Adapter	1	
18	261657	Packing	1	
19	262996	Screw	4	
20	281441	Stand	1	
21	261352	Label	1	Choke
22	269762	Gasket	1	
23	268055	Case Ass'y	1	Incl.24-27
24	268056	Case Body	1	
25	268057	Valve	1	
26	268157	Sleeve	1	5.5x7.1x6
27	268412	Sleeve	1	5.5x7.1x6.6
28	263345	Packing	1	7.2x11xT1.3
29	263942	Washer	1	7.2x12xT0.15
30	263815	Stay	1	
31	264016	Cap Screw	2	M5x60
32	265026	Screen	1	
33	265027	Element	1	
34	268058	Cleaner Cover Ass'y	1	Incl.35-37
35	268059	Cleaner Cover	1	
36	281438	Knob	1	
37	261734	Snap Ring	1	#5
38	281749	Fuel Tank Assy	1	Incl.39-50
39	281439	Fuel Tank	1	

CARBURETOR AND FUEL TANK



REF #	PART #	DESCRIPTION	Q'TY.	NOTES
40	269201	Fuel Tank Cap Ass'y	1	Incl.41
41	269377	Gasket	1	
42	282538	Fuel Pipe Pick-up Ass'y	1	Incl.43-50
43	282539	Fuel Pipe Ass'y	1	Incl.44-48
44	268065	Grommet	1	
45	282541	Return Pipe	1	3x6x151L
46	262649	Fuel Pipe	1	160L
47	261590	Breather Ass'y	1	
48	261117	Clip	1	
49	264653	Filter Ass'y	1	
50	261117	Clip	1	
51	261117	Clip	1	
52	281714	Cap Screw	2	M5x20
53	281715	Cap Screw	1	M5x20

ACCESSORIES



REF #	PART #	DESCRIPTION	Q'TY.	NOTES
1	210418	Box Spanner	1	13x19x(+)
2	219431	Wrench	1	3mm
3	219432	Wrench	1	4mm
4	227829	Instruction Manual	1	
5	840781	Nylon Head (L) 5	1	



Maruyama U.S., Inc.

Post Office Box 2107

Denton, TX 76202

940-383-7400voice

940-383-7466 fax

www.maruyama-us.com