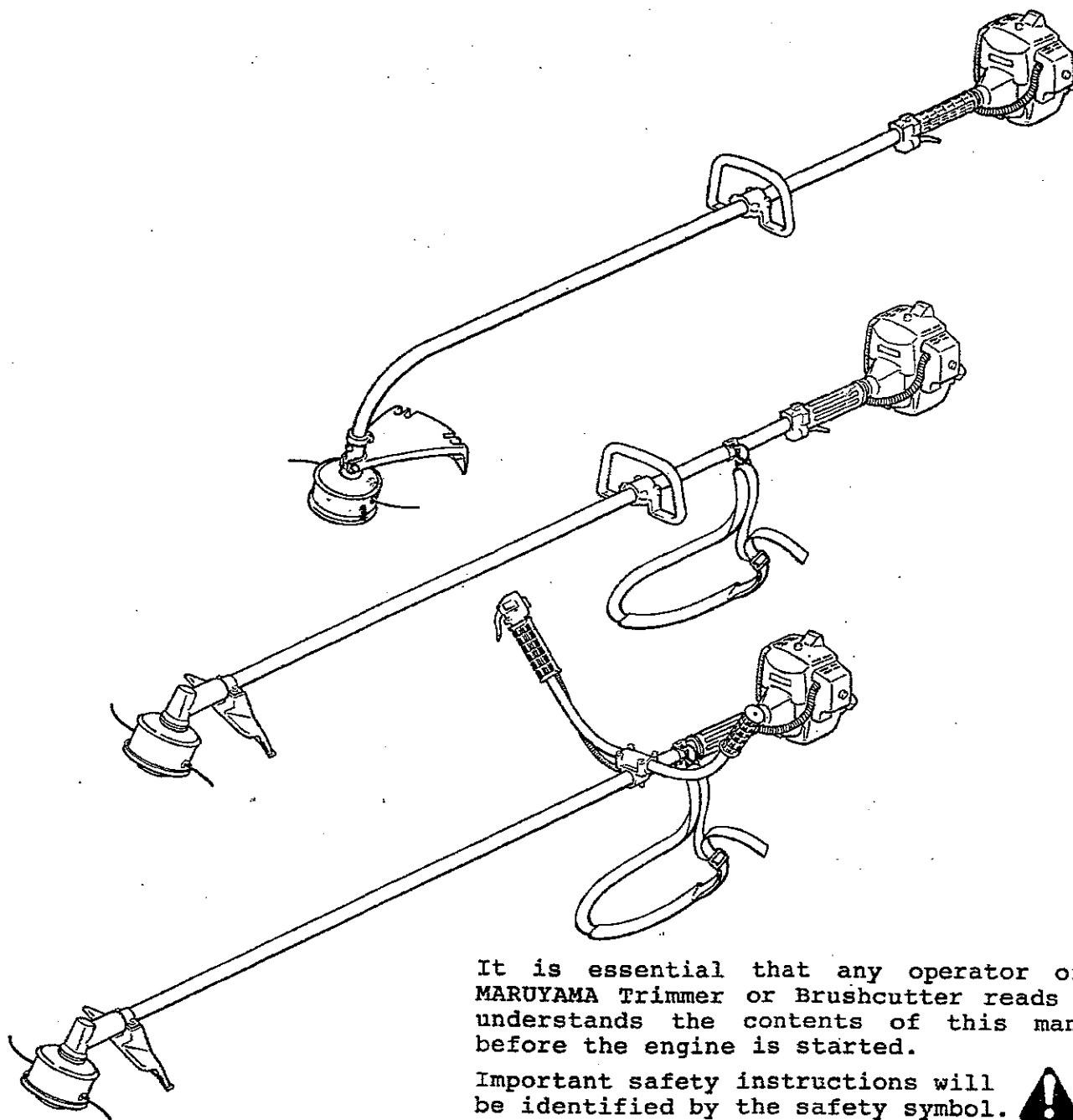





INSTRUCTION MANUAL

FOR TRIMMERS/BRUSHCUTTERS

MODELS: BC200C/BC260C/BC200/BC260/BC320/BC260H/BC320H



It is essential that any operator of a MARUYAMA Trimmer or Brushcutter reads and understands the contents of this manual before the engine is started.

Important safety instructions will be identified by the safety symbol. 

Failure to comply with the instructions in this manual may result in serious injury.

FOREWORD

This Instruction Manual is designed to familiarize the operator with the various features and component parts of the equipment and to assist you with the assembly, operation and maintenance of your new Trimmer/Brushcutter.

Special attention should be given to the Safety Instructions provided throughout the Instruction Manual.

Please read this Instruction Manual carefully before using the trimmer, and acquaint yourself thoroughly with the equipment. For additional assistance, contact any local authorized MARUYAMA dealer, or MARUYAMA U.S., Inc.,

301-30th St. NE, Suite 118, Auburn, WA 98002.

TABLE OF CONTENTS

	Page		Page
Foreword.....	1	* Carburetor adjustment	9
Specifications	1	Operating the Trimmer/ Brushcutter	10
Safety Instructions.....	2	* Cutting with nylon trimmer line	10
Model Identification	3	* Using metal cutting- blades.....	11
Assembly Instructions.....	4	Regular Maintenance	12
* Engine and driveshaft assembly.....	4	* Air filter	12
* Handles	4	* Spark plug	12
* Throttle cable and wiring.....	5	* Cooling fins	12
* Blade guard	5	* Fuel filter.....	13
* MARU-MATIC trimmer head.....	6	* Spark arrestor.....	13
* Metal cutting-blades (optional)	6	* Exhaust muffler	13
Before Operation.....	7	* Lubrication: Gearcase	14
* Fuel: Mixing gasoline and oil	7	Flexible driveshaft	14
* Fuel-mixture chart	7	* General cleaning and tightening.....	14
Operating Instructions	8	Storage.....	14
* Starting procedure	8	Warranty	15
* Engine operation	9		
* Stopping the engine	9		

SPECIFICATIONS

	BC200C	BC200	BC260C	BC260	BC260H	BC320	BC320H
DRY WEIGHT	9.7 lbs	10.4 lbs	9.7 lbs	12.1 lbs	12.4 lbs	12.4 lbs	12.8 lbs
HANDLE CONFIGURATION	LOOP (OR "D" HANDLE)				BULLHORN	LOOP	BULLHORN
ENGINE DISPLACEMENT	19.8cc	19.8cc	25.4cc	25.4cc	25.4cc	31.8cc	31.8cc
MAXIMUM R.P.M.	7500	8500	7500	9000	9000	9000	9000
FUEL TANK CAPACITY	0.53Qts	0.53Qts	0.85Qts	0.85Qts	0.85Qts	1.06Qts	1.06Qts
CARBURETOR	WALBRO DIAPHRAGM TYPE WYK						
IGNITION	SOLID STATE SYSTEM						
SPARK PLUG	NGK BPM6Y SET GAP 0.024-0.028 INCHES						
FUEL MIXTURE	USE ONLY NON-LEADED REGULAR GASOLINE. MARUYAMA 2-CYCLE OIL MIX 50:1 RATIO * OTHER 2-CYCLE OIL MIX 25:1 RATIO * MUST BE APPROVED FOR AIR-COOLED ENGINES						



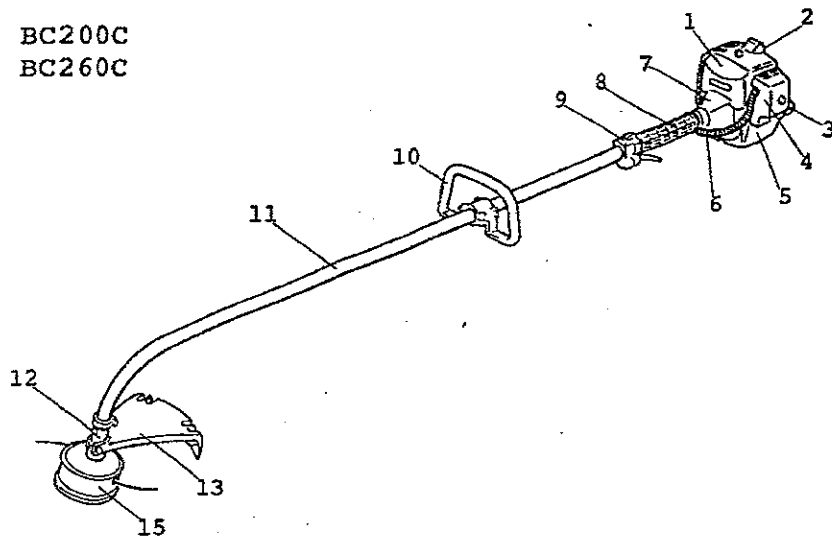
SAFETY INSTRUCTIONS



1. Read and understand this Instruction Manual before using the trimmer. Be thoroughly familiar with the proper use of the trimmer/brushcutter.
2. Never allow children to operate the trimmer/brushcutter. It is not a toy. Never allow adults to operate the unit without first reading the Instruction Manual.
3. Become familiar with the controls and know how to stop the engine quickly.
4. ALWAYS WEAR SAFETY GLASSES or other suitable eye protection, and hearing protection.
5. Keep the area of operation clear of all persons, particularly small children and pets.
6. Never operate a trimmer/brushcutter when you are fatigued.
7. Never operate without proper guards or other protective safety devices in place.
8. Dress properly; do not wear loose clothing or jewelry. They can be caught in moving parts. Always wear substantial footwear, long pants, and long sleeved shirt.
9. Gasoline is highly flammable; handle it carefully. Fill the fuel tank with the correct mixture of gasoline and oil before trying to start the engine.
 - A. Use an approved fuel container for storing the gasoline/oil mixture.
 - B. Do not fill the tank when the engine is hot or running.
 - C. Do not smoke while handling gasoline.
 - D. Fill the fuel tank outdoors and up to about one-half inch from the top of the tank, not the top of the filler neck.
 - E. Wipe any spilled gasoline before starting the engine.
10. Always be sure of your footing; keep a firm hold of the handles with both hands, and walk, never run.
11. Use the right tool for the job. Do not use the trimmer/brushcutter for any job that is not recommended by the manufacturer.
12. Keep all fasteners tight to be sure the trimmer/brushcutter is in safe working condition. Follow the maintenance instructions provided on page 12 to 14 of this manual.
13. Do not put hands or feet near or under the rotating parts. Keep clear at all times.
14. If the trimmer/brushcutter should start to vibrate abnormally, stop the engine and check immediately for the cause. Vibration is generally a warning of trouble.
15. Do not trim too close to the ground in order to avoid hitting small stones or other debris. Avoid using the trimmer/brushcutter near rocks, gravel, stones and similar matter.
16. Use the trimmer/brushcutter only in daylight or good artificial light.
17. Shut off the engine and be certain the cutter head has completely stopped rotating before inverting the machine.

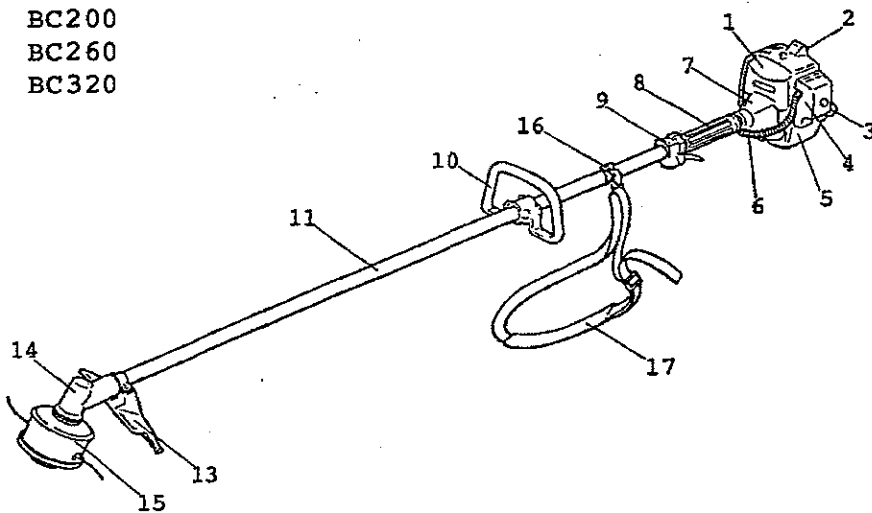
MODEL IDENTIFICATION

BC200C
BC260C



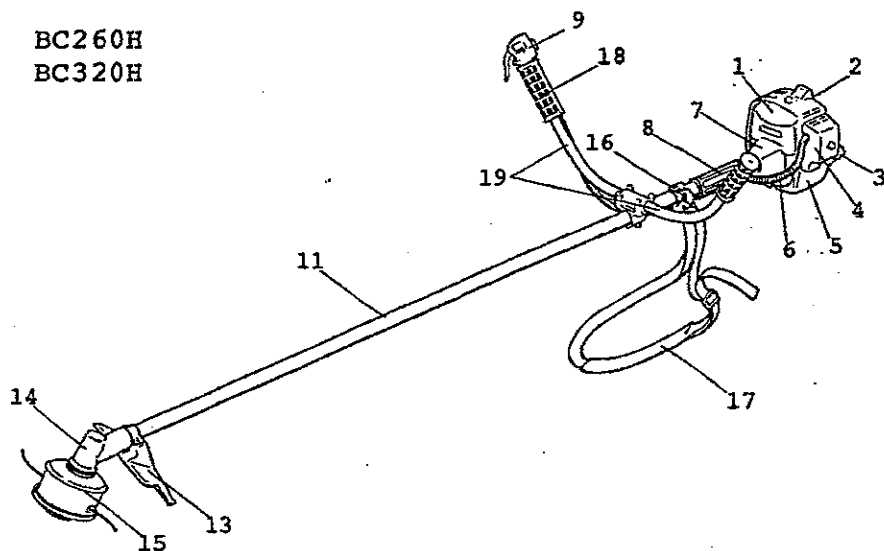
- 1.ENGINE
- 2.SPARK PLUG
- 3.STARTER HANDLE
- 4.AIR FILTER
- 5.FUEL TANK
- 6.THROTTLE CABLE/
STOP-SWITCH WIRE
- 7.CLUTCH-DRUM
HOUSING
- 8.SHAFT GRIP
- 9.THROTTLE-TRIGGER
AND STOP-SWITCH

BC200
BC260
BC320



- 10.LOOP HANDLE
- 11.SHAFT ASSEMBLY
- 12.BEARING-HEAD
- 13.GUARD
- 14.GEARCASE
- 15.TRIMMER HEAD
- 16.ATTACH RING
FOR HARNESS
- 17.SHOULDER HANGING
STRAP

BC260H
BC320H



- 18.HANDLE GRIP
- 19.BULLHORN HANDLES

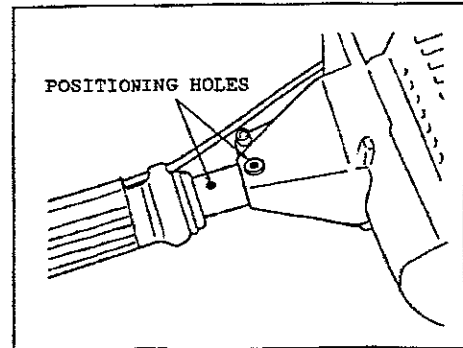
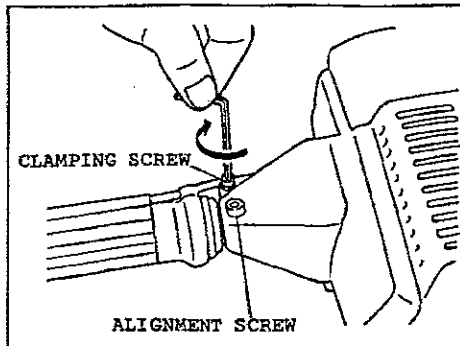
All models of MARUYAMA Trimmers and Brushcutters include a Tool Kit, Instruction Manual, and a Warranty Registration Card. All models except BC200C and BC260C include a Shoulder Hanging Strap.

ASSEMBLY INSTRUCTIONS

ENGINE AND DRIVESHAFT ASSEMBLY

BC200, BC200C, BC260C:

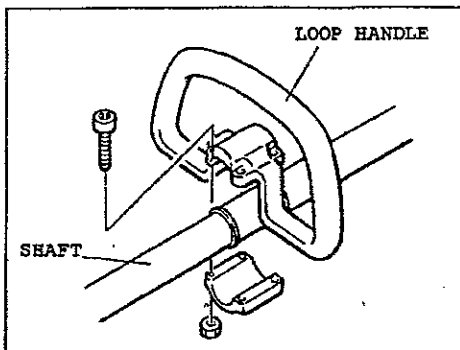
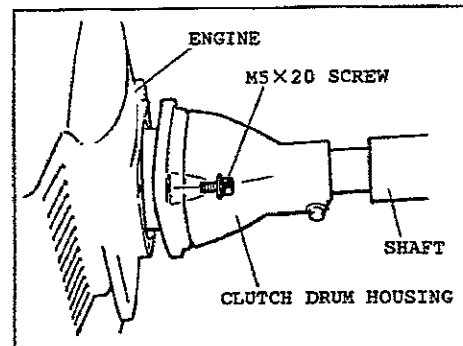
Insert the shaft into the front engine housing. Align the positioning hole in the shaft with the threaded hole in the side of the front engine housing.



Install and tighten the alignment screw. Then tighten the clamping screw (located below the alignment screw).

BC260, BC260H, BC320, BC320H:

The shaft and clutch drum housing assembly are already connected. Attach the shaft to the engine with the four M5×20 screws (packed with the engine).



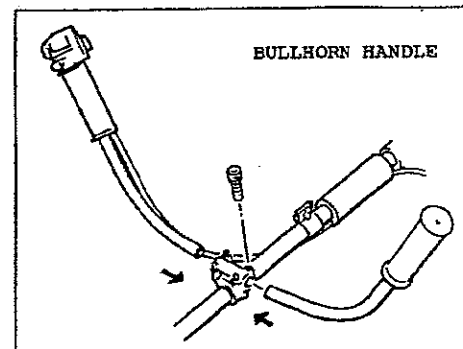
HANDLES

LOOP HANDLE—ALL MODELS EXCEPT BC260H AND BC320H:

The loop handle attaches to the shaft with four screws, as shown.

BULLHORN HANDLE—BC260H AND BC320H:

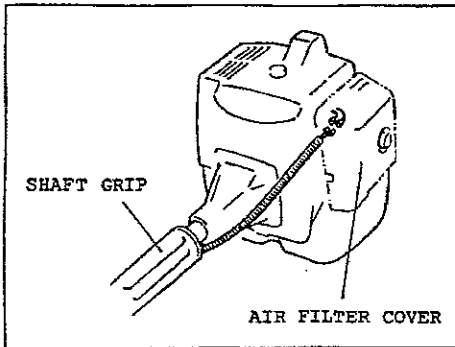
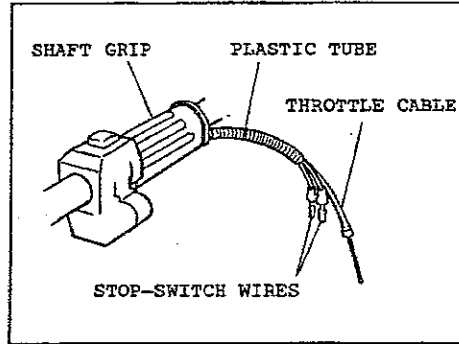
Use caution when removing the handles from the carton to avoid damage to the cables. The right handle, with the throttle-trigger and cable attached, and left handle are installed by loosening four screws on top of the clamp bracket attached to the shaft. Insert the handles as shown and tighten the four screws.



THROTTLE CABLE AND WIRING

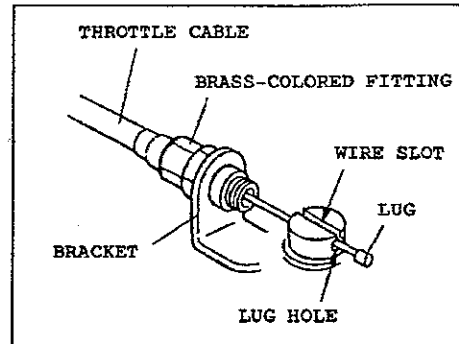
ALL MODELS EXCEPT BC260H AND BC320H:
Install the plastic tube (packed with the shaft assembly) around the throttle cable and stop-switch wires, as shown.

MODELS BC260H AND BC320H (BULLHORN HANDLE):
The plastic tube is already installed around the throttle cable and stop-switch wires, and positioned in the shaft grip.



Remove the air filter cover to connect the stop-switch wires.
(Connections are near the carburetor.)

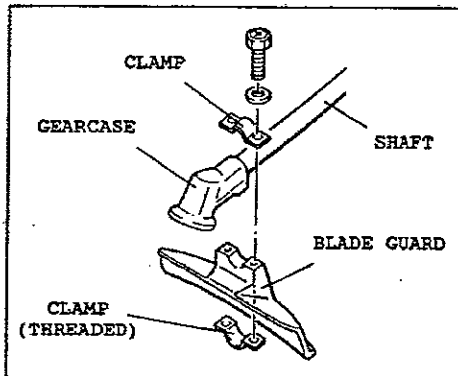
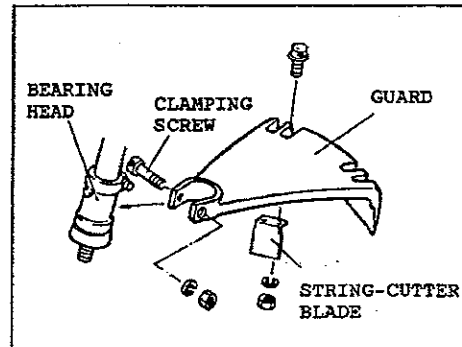
The throttle cable end must be inserted into and through the brass-colored fitting held by the bracket on top of the carburetor. The wire-end lug fits into the slotted holder (as shown) on top of the carburetor. A HOLE IS PROVIDED FOR THE LUG AT ONE END OF THE WIRE SLOT.



BLADE GUARD

BC200C, AND BC260C:

Refer to the sketch and attach the string-cutter blade to the guard with two screws, nuts, and washers. Remove the clamping screw from the guard. Push the guard onto the bearing-head housing. Replace the clamping screw and tighten ONLY AS NEEDED.



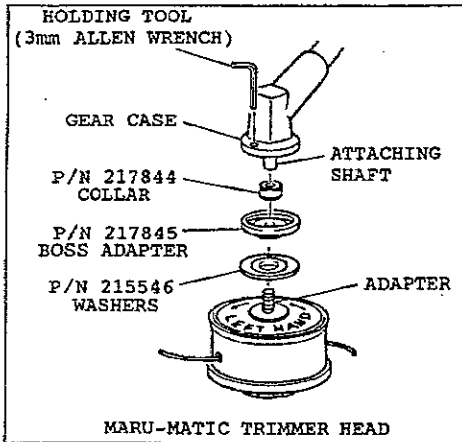
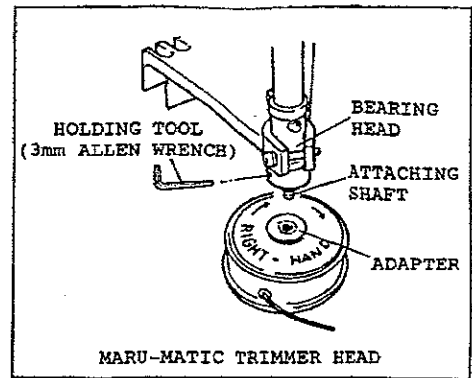
BC200, BC260, BC260H, BC320, BC320H:
The blade guard installs onto the shaft with two screws, as shown.

MARU-MATIC TRIMMER HEAD

BC200C AND BC260C:

Be sure the trimmer head is for **RIGHT-HAND** rotation (as viewed from the operator's position) and the trimmer head adapter matches the threaded attaching shaft of the trimmer (M8×1.25 **RIGHT-HAND**).

NOTE: Use 3mm allen wrench (from tool kit) as a holding tool to lock the attaching shaft while installing cutting devices (see sketches).



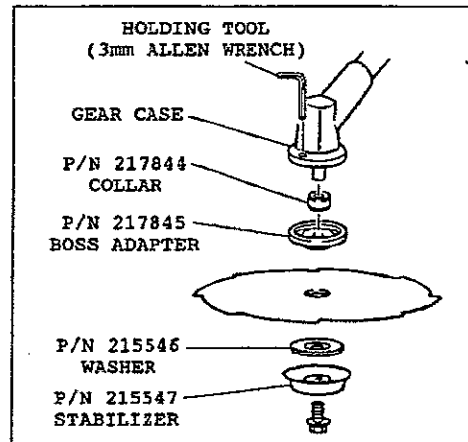
BC200, BC260, BC260H, BC320, BC320H:

Be sure the trimmer head is for **LEFT-HAND** rotation (as viewed from the operator's position) and the trimmer head adapter matches the internally-threaded splined attaching shaft of the trimmer (M8×1.25 **LEFT-HAND**).

IMPORTANT—The two washers (see sketch) must be installed on the splined shaft between the gearcase and the trimmer head assembly.

METAL CUTTING-BLADES (OPTIONAL)

ALL MODELS EXCEPT BC200C AND BC260C:
A variety of metal cutting-blades are available to satisfy different cutting conditions. It is especially important to use only the correct blade(s) approved for each model trimmer/brushcutter. Also, it is especially important to install the blade for **LEFT-HAND** rotation (as viewed from the operator's position), and to correctly position all blade-holding parts (see sketch).



	4-TOOTH WEED	8-TOOTH BRUSH	SAW TOOTH
BC 200 (9inch)	P/N 210179	P/N 210183	P/N 913142
BC 260 BC 260H (9inch)	P/N 210179	P/N 210183	P/N 913142
BC 320 BC 320H (12inch)	P/N 054751	P/N 913147	P/N 913143

BEFORE OPERATION

FUEL: MIXING GASOLINE AND OIL



CAUTION—READ SAFETY INSTRUCTION CONCERNING GASOLINE ON PAGE(2).

The two-cycle engines used in the MARUYAMA trimmer/brush-cutter requires a mixture of GASOLINE and OIL for lubrication of bearings and other moving parts. The correct fuel mixture ratio depends upon the type of two-cycle motor oil that is used. If MARUYAMA two-cycle oil is used, the proper fuel mixture ratio is 50:1, which is 2.5oz. of oil mixed with one gallon of gasoline. If other oil for two-cycle air cooled engines is used, the proper fuel mixture ratio is 25:1, which is 5.0oz. of oil mixed with one gallon of gasoline.

NOTE: Gasoline and oil must be premixed in a clean gasoline container. Never mix gasoline and oil indoors or in the trimmer/brushcutter fuel tank. Always use fresh gasoline.

Add approximately one quart of unleaded regular gasoline to a gasoline container. Pour the proper amount of two-cycle oil into the gasoline container. Do not use multi-viscosity oils. Install the cap on the gasoline container before shaking. Shake the gasoline container vigorously so the oil mixes with the gasoline. Add the additional gasoline needed to complete the required amount (see the fuel mixture chart below).

IMPORTANT: Do not fill fuel tank with gasoline that does not have oil mixed in it. Do not use gasoline additives because the engine could be damaged.



WARNING!!—NEVER USE GASOHOL OR ALCOHOL BLENDED FUELS IN MARUYAMA ENGINES.

Before filling the trimmer/brushcutter fuel tank, clean around the fuel tank cap so dirt and debris does not enter the fuel tank. Always shake the fuel container before filling the fuel tank. Remove the fuel cap, then fill the fuel tank to within 1/4–1/2 inch from the top of the tank. Avoid filling the fuel tank filler neck. Install the cap securely onto the fuel tank.

FUEL MIXTURE CHART

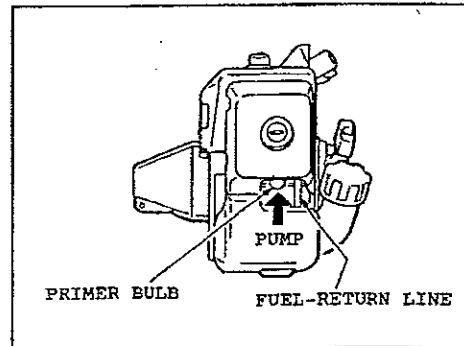
MARUYAMA 2-CYCLE OIL (50:1)		OTHER 2-CYCLE OIL (25:1)	
WITH 1 GALLON GASOLINE MIX	2.5 OZ OIL	WITH 1 GALLON GASOLINE MIX	5.0 OZ OIL
2 GALLON	5.0 OZ	2 GALLON	10.0 OZ
5 GALLON	12.5 OZ	5 GALLON	25.0 OZ

OPERATING INSTRUCTIONS

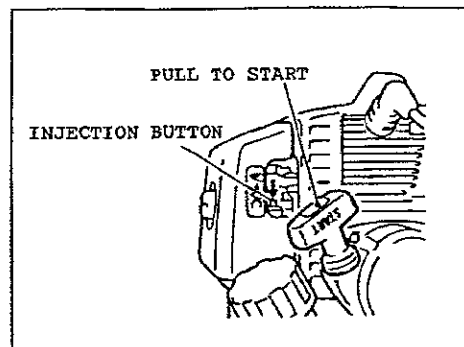
STARTING PROCEDURE

ALL MODELS: The carburetors on MARUYAMA engines do not contain a choke system and are designed to start at IDLE speed. A greater throttle setting will cause difficult starting. To properly start a "cold" engine, perform the following procedure.

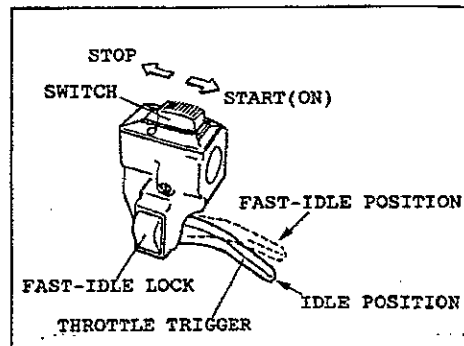
Step #1) Pump the primer-bulb at the bottom of the carburetor until fuel can be seen flowing through the fuel-return line to the fuel tank. (Flowing fuel should be clear, not foamy or full of bubbles.)



Step #2) Fully depress the black injection button, then release.



Step #3) With the ignition switch "ON", and the throttle trigger positioned at IDLE, pull the starter cord. The engine should start at IDLE within 5 to 6 pulls.



For starting an engine that is already warmed-up (hot restart), or if the ambient temperature exceeds 70°F (20°C), the injection button should not be used. Follow steps #1) and #3) only.

If the engine fails to start at the IDLE position, set the throttle trigger at the FAST-IDLE position (see sketch). Then repeat the starting procedure (prime, injection, and pull).

(If a MARUYAMA engine fails to start after following the above procedures, contact an authorized MARUYAMA dealer.)

ENGINE OPERATION

ALL MODELS: After starting, allow the engine to a run a few minutes to warm it up before using.

NOTE: DO NOT have the engine under any load during this warm up period.

By squeezing the throttle trigger, increase the engine RPM to the speed required for operation before placing the trimmer under load. ALWAYS reduce the engine speed to idle when it is not under a load. Do not operate the engine at high RPM's with no load.

STOPPING THE ENGINE

ALL MODELS: Always run the engine at idle speed for a few minutes to allow cooling before stopping. To stop the engine, move the stop-switch to the STOP position.

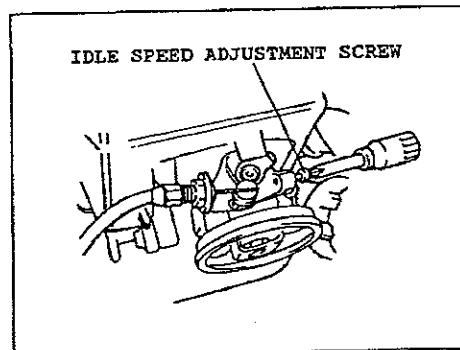


If the stop-switch fails to stop the engine, pump the primer-bulb at the bottom of the carburetor a few times, then depress the black injection button.
(Repair the stop-switch.)

CARBURETOR ADJUSTMENT

ALL MODELS: The carburetor has been carefully adjusted at the factory and should not require any further adjustment.

Only the idling speed can be adjusted by turning the idle speed adjustment screw (see sketch). The correct idle speed is 2800-3200RPM. Turning the adjustment screw clockwise will increase the idle speed.



If further adjustment is necessary, please contact a local authorized MARUYAMA dealer.

OPERATING THE TRIMMER/BRUSHCUTTER



CAUTION—Read the SAFETY INSTRUCTIONS on page(2) concerning the proper use of the trimmer/brushcutter.

MARUYAMA trimmers and brushcutters are designed and tested to cut nearly all grasses, thick weeds and brush. As you continue to use the equipment, many tasks will become easier.

By adjusting the handles, MARUYAMA trimmers and brush-cutters can be operated while standing in a natural position, and can be positioned at the right or left side of the operator. (See the ASSEMBLY INSTRUCTIONS for handles on page4).

If it is necessary to reposition the shaft grip, loosen the clamping screw of the throttle trigger assembly before moving the grip. Then use caution to prevent any damage to the throttle cable and stop-switch connections.

Be sure the throttle trigger assembly is in place firmly against the shaft grip before tightening the clamping screw.



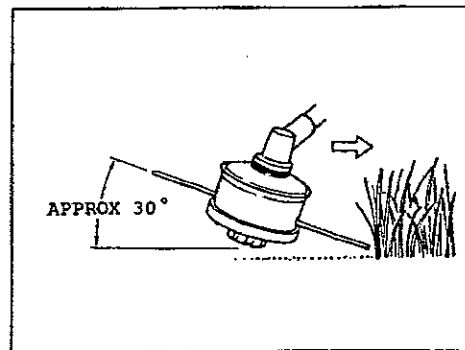
Adjust the blade guard (except BC200C and BC260C) to a position that does not make contact with the blade or trimming line, and shields the operator from thrown debris.(See ASSEMBLY INSTRUCTIONS for blade guard on page5).



CAUTION—Remove any holding tools before operating the equipment!

CUTTING WITH NYLON TRIMMER LINE

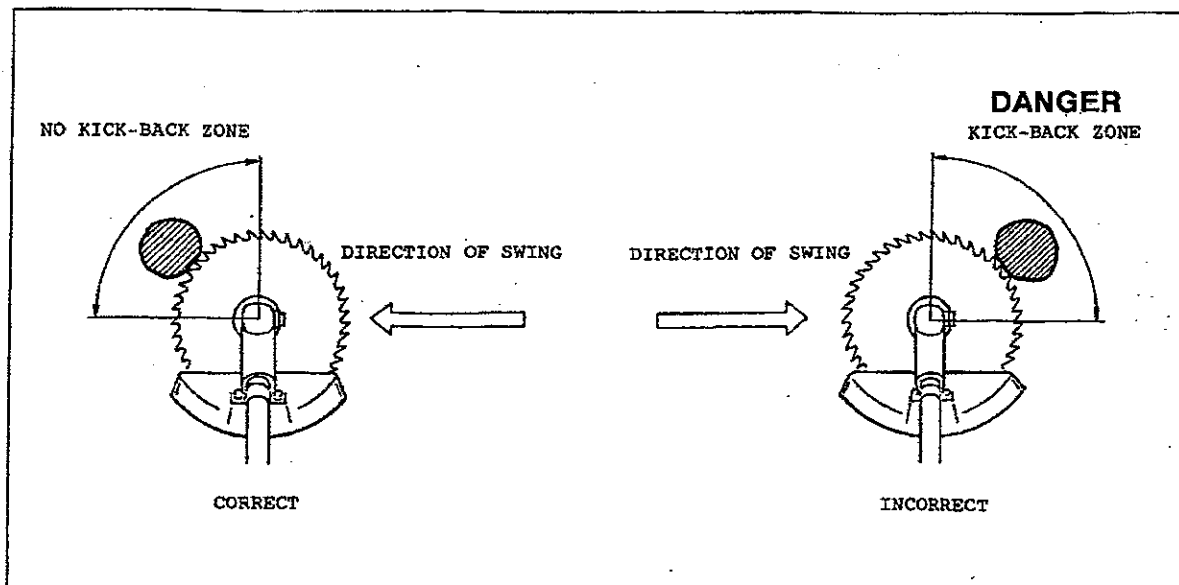
ALL MODELS: It is only the outer tip (or end) of the trimmer line that performs the actual cutting action. The trimming operation can be a side to side or forward and backward motion. Tilting the trimmer head slightly downward when moving toward the area being cut produces a better result (see sketch). Moving too fast or forcing the unit will cause trimmer line breakage, entanglement, or stalling the engine. Do not attempt to cut thick, stalky weeds or brush that exceeds the capability of the machine. (Continuous overload may cause damage to the machine.) Whenever grass or debris winds onto the shaft or trimmer head, immediately stop the machine and remove the interfering material.



USING METAL CUTTING BLADES

ALL MODELS EXCEPT BC200 AND BC260C:

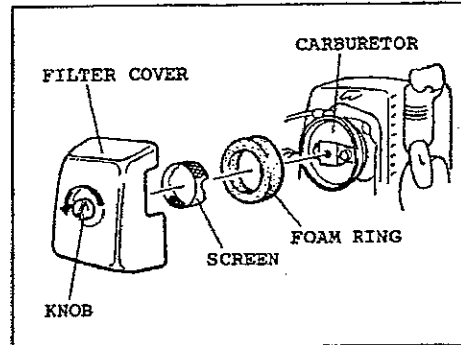
- ⚠ CAUTION—Read the SAFETY INSTRUCTIONS concerning proper use of the brushcutter on page(2).
- ⚠ CAUTION—Observe all warnings that appear on the brushcutter.
- ⚠ CAUTION—Use only the correct blade approved for the task and the machine. See the Blade Chart and Instructions on page(6).
- ⚠ CAUTION—Always use the Shoulder Hanging Strap or Full Support Harness (optional) when operating a brushcutter with a metal blade. The brushcutter must be positioned to the right side of the operator when used with a metal blade.
- ⚠ CAUTION—Always make certain the blade is installed to rotate in the proper direction and that all holding and fastening parts are correctly secured.
- ⚠ CAUTION—Remove any holding tools before operating the equipment!
- ⚠ CAUTION—Do not continue to use a blade that is dull, damaged, or that vibrates during use. Whenever a cutting blade becomes clogged with debris, immediately stop the machine and clean the blade.
- ⚠ CAUTION—When cutting heavy brush or small trees, use the proper method to avoid dangerous "KICK-BACK" (see sketch).



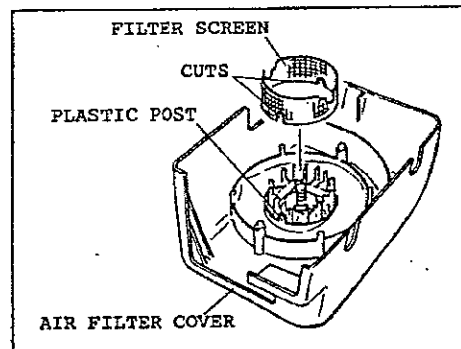
REGULAR MAINTENANCE

AIR FILTER

ALL MODELS: The air filter should be cleaned each time the trimmer/brushcutter is used. (Or more often with extreme conditions.) The filter cover can be removed by unscrewing the single knob (see sketch). Remove the screen from the foam ring, wash the foam in kerosene or warm detergent, then squeezing dry. Apply oil (#30 wt.) to foam, removing all excess oil. Assemble and reinstall air filter on carburetor.

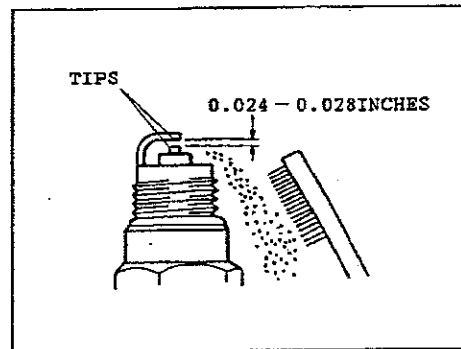


CAUTION—The air filter screen is designed to fit the filter cover ONE WAY ONLY! It must not be reversed! Refer to the sketch and match the cuts in the screen to the plastic posts inside the filter cover. (The fit should be snug.)



SPARK PLUG

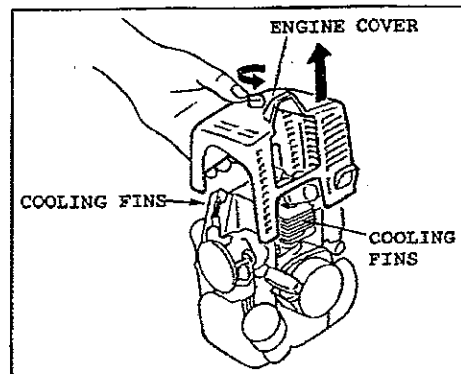
ALL MODELS: The spark plug should be removed from the engine and checked after each 25 hours of operation. The tips can be cleaned with a stiff brush. Adjust the gap to 0.024–0.028 inches (see sketch). Replace the spark plug if it is oil-fouled or damaged, the average spark plug life is approximately 100 hours.



CAUTION—Do not over-tighten the spark plug. The correct torque is 10–12 Ft.Lbs.

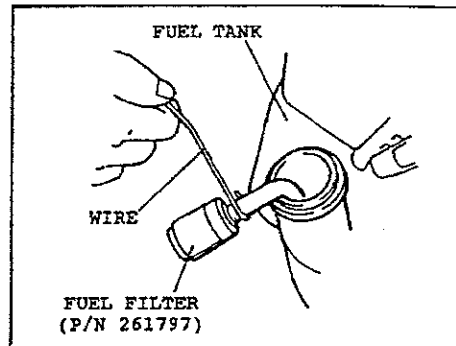
COOLING FINS

ALL MODELS: Free passage of air through the cylinder cooling fins is required to prevent poor engine performance and shortened engine life. Regularly check and clean all debris from the cooling fins by removing the engine cover (see sketch).



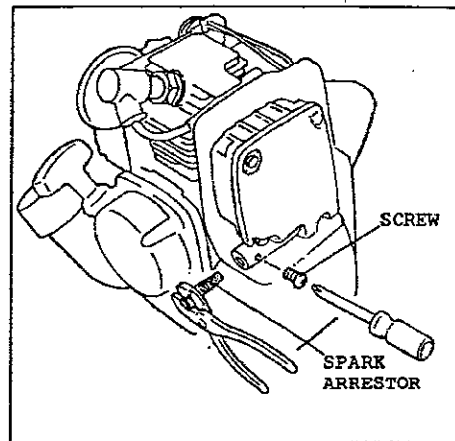
FUEL FILTER

ALL MODELS: The fuel filter is attached to the fuel pick-up tube inside the fuel tank. After each 25 hours of use, it should be checked for dirt or damage, and replaced if necessary. A wire with a hooked end aids in removing the filter from the tank. Avoid damaging the fuel line.



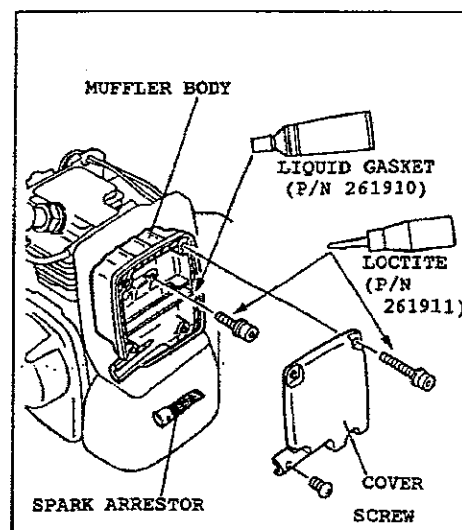
SPARK ARRESTOR

ALL MODELS: The spark arrestor should be inspected and cleaned after each 20 hours of use. The spark arrestor is installed inside the exhaust outlet of the muffler, and is secured by one screw through the side of the exhaust outlet (see sketch). Remove the screw, and pull the spark arrestor from inside the exhaust outlet tube. (If using pliers, care must be used to avoid crushing the spark arrestor flange.) Solvent and stiff brushing will usually be required for cleaning. Reinstall the spark arrestor and the fastening screw.



EXHAUST MUFFLER

ALL MODELS: The muffler should be inspected and cleaned after each 100 hours of use. The engine cover must be removed for access to the muffler. Four screws (see sketch) attach the muffler cover to the muffler body. When the cover is removed, the spark arrestor is revealed in the exhaust outlet tube of the muffler cover. Remove the one screw securing the spark arrestor to the muffler cover and separate them. Clean the cover and the spark arrestor. (see instructions-Spark Arrestor.) It is not necessary to remove the muffler body from the cylinder for cleaning, BUT special care should be taken to prevent any debris from entering the exhaust ports. Use liquid gasket P/N 261910 to form the gasket between the muffler body and cover. Use Loctite P/N 261911 on the four screws attaching the cover to the muffler body. Secure the spark arrestor into place with the fastening screw.

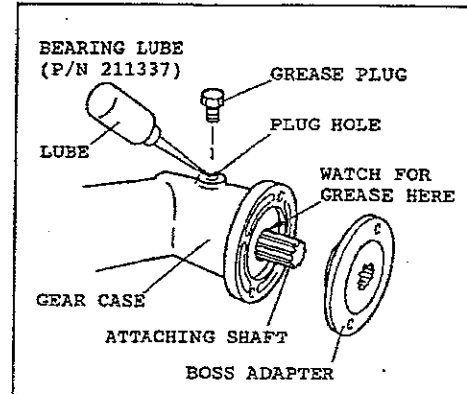


LUBRICATION: GEARCASE

MODELS BC200, BC260, BC260H, BC320, BC320H:

The gearcase should be checked for lubrication after each 30 hours of use. Any cutting device and the boss adapter must be removed (see sketch). Remove the grease plug from the side of the gearcase.

Inject lithium-base bearing lube (P/N 211337) through the plug hole until grease begins to appear around the attaching shaft. Re-install the boss adapter and grease plug.

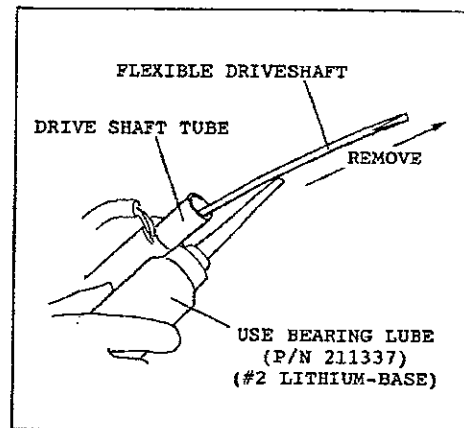


MODELS BC200C AND BC260C:

Periodic lubrication is not required.

LUBRICATION: FLEXIBLE DRIVESHAFT

These models contain a flexible driveshaft inside the driveshaft tube. The flexible driveshaft should be lubricated after each 30 hours of operation. Refer to the Assembly Instructions on page (4) and separate the driveshaft tube from the front engine housing. The inner flexible driveshaft is easily removed by gripping the end securely and pulling it from the driveshaft tube. Lubricate the entire length of the flexible driveshaft and insert it into the driveshaft tube. Twist the flexible shaft while pushing to insure that it seats correctly into the bearing head. Refer to the assembly instructions on page (4) and re-install the shaft into the front engine housing.



GENERAL CLEANING AND TIGHTENING

ALL MODELS: The MARUYAMA trimmer/brushcutter will provide maximum performance for many, many hours if it is maintained properly. Good maintenance includes regular checking of all fasteners for correct tightness, and cleaning the entire machine.

STORAGE

ALL MODELS: For long-term storage of the trimmer/brushcutter, perform all regular maintenance procedures and needed repairs. Empty the fuel tank. Disconnect the fuel-return tube from the carburetor, then continue to pump the primer bulb until fuel stops discharging from the fuel-return fitting. Start the engine and allow it to run until it stops. Pull the starter cord a few times to remove any excess fuel from the engine. Remove the spark plug and insert a small amount of oil. Pull the starter cord once and bring the piston to a position closest to the spark plug hole. Re-install the spark plug. Apply a thin coating of oil to the entire machine and store in a dry place.



LIMITED WARRANTY STATEMENT

All Maruyama products are warranted to the original purchaser to be free from defects in material and workmanship for a period of two (2) years from the date of purchase when applied to residential use, or six (6) months from the date of purchase when applied to commercial use.

Any part(s) of Maruyama products found to be defective within the warranty period shall, at Maruyama's option, be repaired or replaced without charge. Warranty consideration is obtained by delivering any Maruyama product believed to be defective to an Authorized Maruyama Service Dealer within the applicable warranty period.

Warranty will not apply to conditions resulting from:

1. Damage(s) and/or costs associated with shipping and/or transportation.
2. Lack of normal maintenance, adjustments, or service required for regular use of the product.
3. Modifications, service/repairs, parts or components not authorized by Maruyama.
4. Normal wear, accident, abuse, neglect, misuse, negligence, improper fuels/fuel mixtures, or failure to operate or maintain the product in accordance with instructions approved by Maruyama.

Maruyama shall not be liable for any special, consequential, direct or indirect damages, and expressly states there are no implied warranties. Some states do not allow limitation of incidental or consequential damages, accordingly the above limitations and exclusions may not apply to you.

This warranty provides you with specific legal rights which may vary from state to state.

It is the owners responsibility to properly complete and mail the Warranty Registration Card. Proof of purchase and registration will be required in order to obtain warranty service.

For the name of the authorized Maruyama dealer nearest you.

CONTACT

Maruyama U.S., Inc. / 301 - 30th Street NE, Suite 118 / Auburn, WA 98002