



**MARUYAMA U.S., INC.**

301 – 30<sup>th</sup> Street NE, Suite 118, Auburn, WA 98002  
PO Box 309, Auburn, WA 98071-0309  
Phone (253) 735-7368 Fax (253) 735-1416

# **ILLUSTRATED PARTS LIST**

**MODEL BC200C**  
**MODEL BC201C**

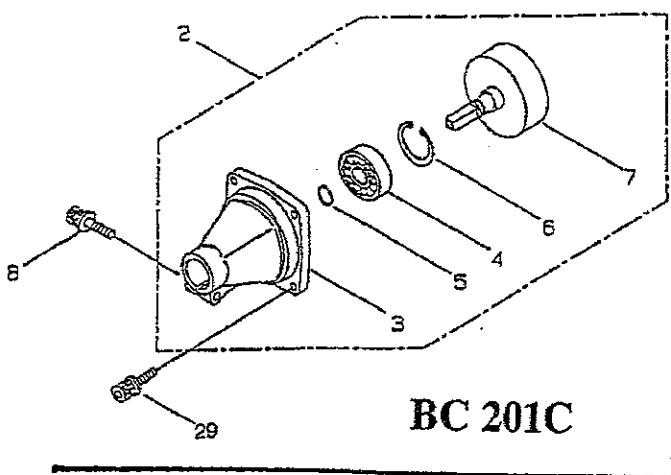
**TRIMMER**

**Effective 6-20-93**

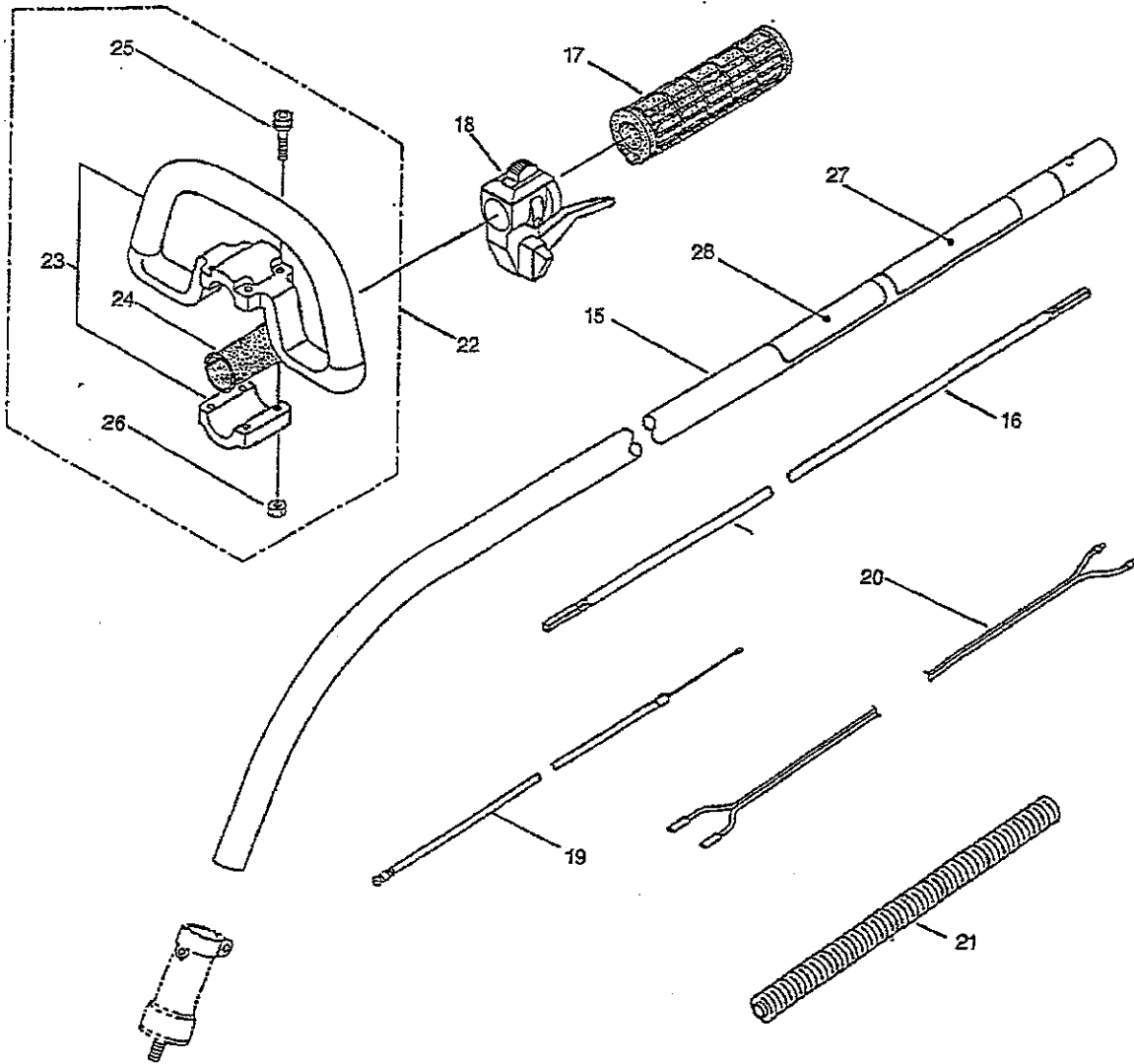
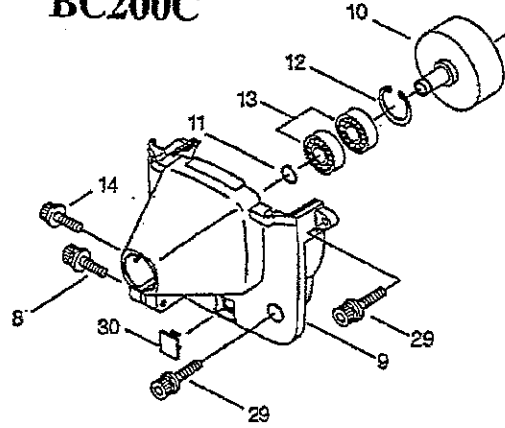


*Maruyama — Manufacturing quality agricultural sprayers and equipment since 1895.*

# 1 - DRIVESHAFT ASSEMBLY

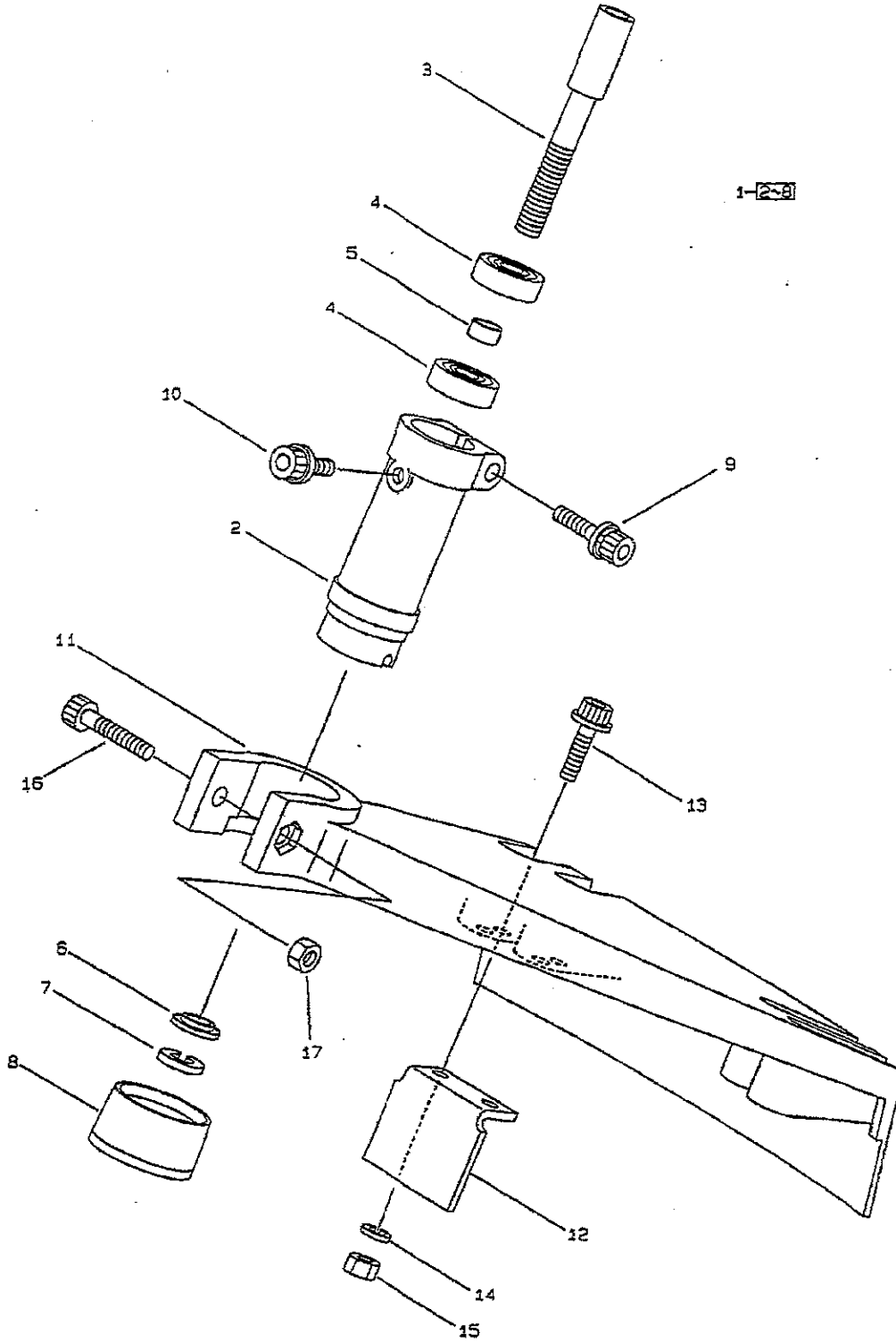


## BC200C



Ref. No.	Parts No.	Parts Name	Q'ty	Remarks
1 - 1	347856	BC201C Assy.	(BC201C) 1	
	347051	BC201C Assy.	(BC200C) 1	
1 - 2	218751	Clutch Case Assy.	(BC201C) 1	Includes Ref. #3 - #7
1 - 3	218698	• Clutch Case	(BC201C) 1	
1 - 4	012649	• Bearing	(BC201C) 1	#620122
1 - 5	140273	• Snap Ring	(BC201C) 1	S12
1 - 6	016732	• Snap Ring	(BC201C) 1	H32
1 - 7	218492	• Clutch Drum	(BC201C) 1	
1 - 8	261246	Cap Screw	1	M5 x 25
1 - 9	262406	Clutch Drum Case	(BC200C) 1	
1 - 10	262407	Clutch Drum	(BC200C) 1	New snap ring required
1 - 11	014210	Snap Ring	(BC200C) 1	S10
1 - 12	054676	Snap Ring	(BC200C) 1	H26
1 - 13	261743	Bearing	(BC200C) 2	#6000ZZNS7S
1 - 14	261233	Cap Screw, Alignment	1	M5 x 12
1 - 15	218748	Driveshaft Tube	(BC201C) 1	
	215982	Driveshaft Tube	(BC200C) 1	
1 - 16	218750	Driveshaft, Flexible	(BC201C) 1	
	215985	Driveshaft, Flexible	(BC200C) 1	
1 - 17	215995	Shaft Grip	1	
1 - 18	216060	Throttle Trigger/Stopswitch	1	
1 - 19	213444	Throttle Cable	(BC201C) 1	
	215931	Throttle Cable	(BC200C) 1	
1 - 20	213445	Lead Wires, Stopswitch	(BC201C) 1	
	215932	Lead Wires, Stopswitch	(BC200C) 1	
1 - 21	213548	Plastic Tube	(BC201C) 1	
	215403	Plastic Tube	(BC200C) 1	
1 - 22	216003	Loop Handle Assy.	1	Includes Ref. #23 - #26
1 - 23	214982	• Loop Handle	1	
1 - 24	216004	• Packing	1	
1 - 25	215608	• Cap Screw	4	M5 x 30
1 - 26	089846	• Nut	4	M5
1 - 27	218752	Label	(BC201C) 1	BC201C
	216194	Label	(BC200C) 1	BC200C
1 - 28	215534	Label	1	
1 - 29	061250	Cap Screw	4	M5 x 20
1 - 30	261786	Plug	1	

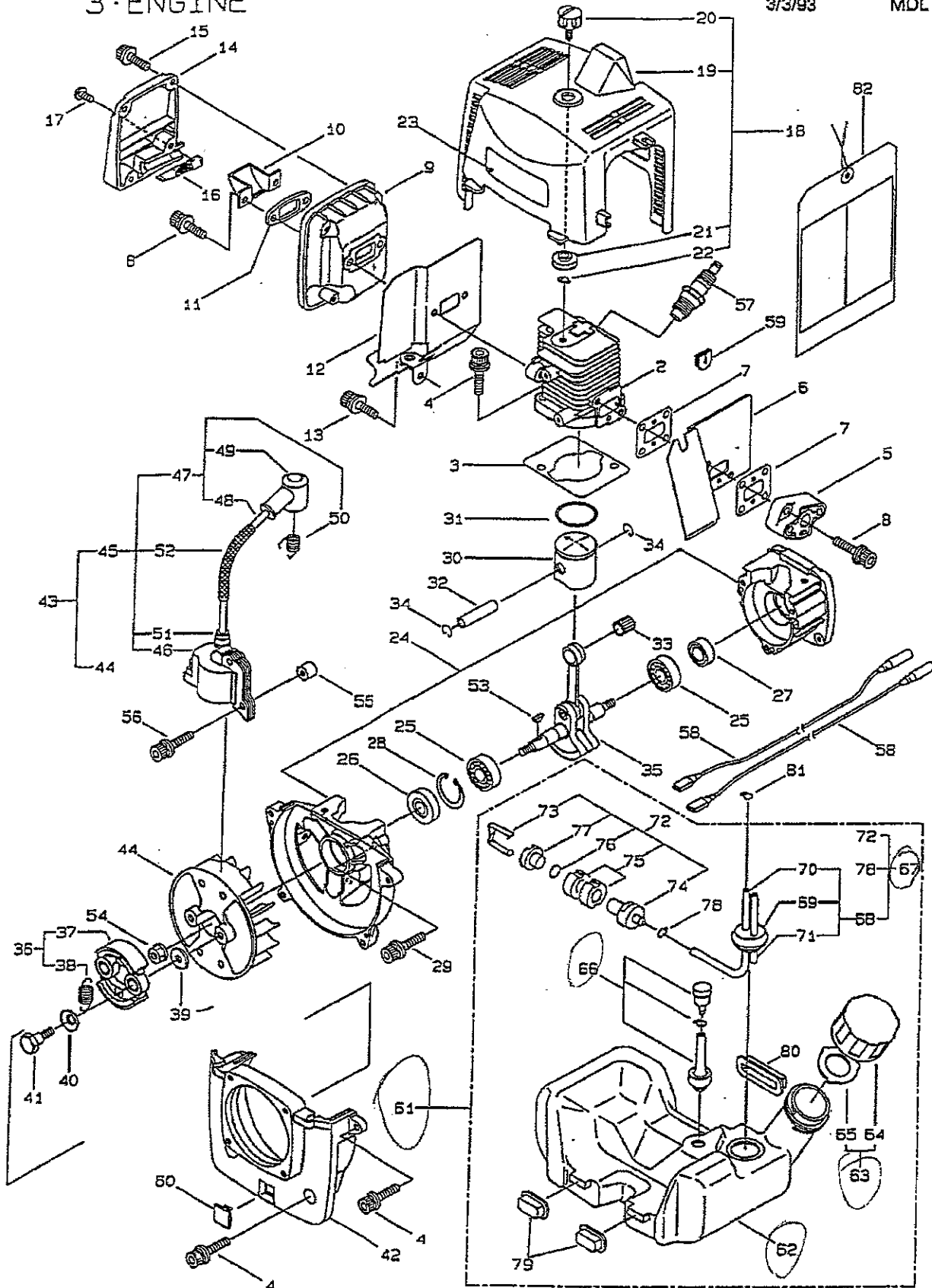
# 2-HEAD CASE ASSEMBLY



Ref.No	Parts No.	Parts Name	Q'ty	Remarks
2- 1	215986	Bearing Head Ass'y	1	Includes 2~8
2- 2	215987	•Case, Bearing	1	
2- 3	215988	•Attaching Shaft	1	
2- 4	215989	•Bearing	2	#608DD
2- 5	215990	•Spacer	1	
2- 6	215991	•Washer	1	
2- 7	015845	•Spring Washer	1	M8
2- 8	215992	•Attaching Shaft Adapter	1	
2- 9	261246	Cap Screw, Clamping	1	M5×25
2-10	215993	Cap Screw, Alignment	1	M5×10
2-11	215999	Guard	1	
2-12	216000	String Cutter	1	
2-13	216001	Cap Screw	2	M5×16
2-14	012501	Spring Washer	2	M5
2-15	089846	Nut	2	M5
2-16	216863	Screw, Clamping	1	M6×40
2-17	089885	Nut	1	M6

# 3 - ENGINE

Corrected Page 5: MDL BC200c  
3/3/93 MDL BC201C

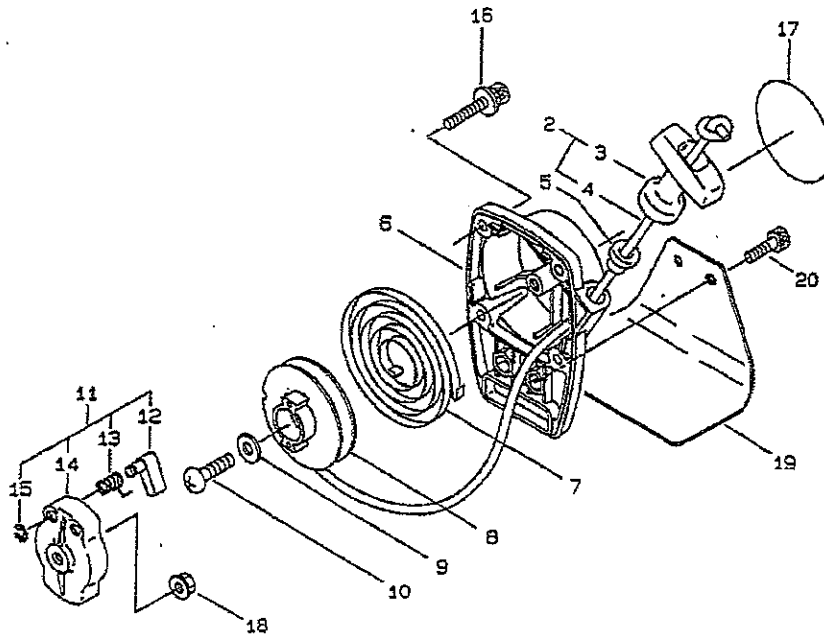


Ref. No.	Parts No.	Parts Name	Q'ty	Remarks
3 - 1	262385	Engine Assy. - Complete	1	AE200/08
	262404	Engine Assy. - Complete	1	AE200/09
3 - 2	260993	Cylinder	1	New Gasket Required
3 - 3	261166	Gasket	1	
3 - 4	261250	Cap Screw	6	M5 x 20
3 - 5	261938	Insulator	1	New Gasket Required
3 - 6	261000	Air Duct	1	
3 - 7	261171	Gasket	2	
3 - 8	261246	Cap Screw	4	M5 x 25
3 - 9	262386	Muffler Body	1	New Muffler Cover Required
3 - 10	261006	Deflector	1	
3 - 11	262004	Deflector Plate	1	
3 - 12	261007	Gasket	1	
3 - 13	261607	Cap Screw	1	M5 x 16
3 - 14	262387	Muffler Cover	1	
3 - 15	261780	Cap Screw	4	M4 x 20
3 - 16	262388	Spark Arrestor	1	
3 - 17	089586	Screw, Spark Arrestor	1	M3 x 10
3 - 18	261782	Top Cover Assy.,	1	Includes Ref. #19 - #22
3 - 19	261017	• Top Cover	1	
3 - 20	261018	• Knob	1	
3 - 21	261020	• Spacer	1	
3 - 22	261734	• Snap Ring	1	
3 - 23	262100	Label	1	MARUYAMA
3 - 24	261024	Crankcase	1	
3 - 25	261181	Bearing	2	#6000C3
3 - 26	262712	Oil Seal	1	TC10267
3 - 27	262713	Oil Seal	1	TC10207
3 - 28	054676	Snap Ring	1	H26
3 - 29	261612	Cap Screw	3	M5 x 30
3 - 30	261032	Piston	1	
3 - 31	261158	Piston Ring	1	
3 - 32	261036	Piston Pin	1	
3 - 33	261037	Needle Bearing	1	KBK8 x 11 x 11.8 x 1
3 - 34	261576	Clip, Piston Pin	2	
3 - 35	261040	Crankshaft/Connecting Rod Assy.	1	
3 - 36	261405	Clutch Assy.	1	Includes Ref. #37 & #38
	261617	Clutch Assy.	1	Includes Ref. #37 & #38
3 - 37	261406	• Clutch Shoe	2	Two Required
	261051	• Clutch Shoe	2	Two Required
3 - 38	263614	• Clutch Spring	1	
	261188	• Clutch Spring	1	
3 - 39	261189	Washer	2	ø 6# ø16.5 x t1.2
3 - 40	261777	Wave Washer	2	
3 - 41	261056	Clutch Bolt	2	M6
3 - 42	261251	Fan Cover	1	Only BC201C
3 - 43	263579	Magneto Assy.	1	Includes Ref. #44 - #52
	261066	Magneto Assy.	1	
3 - 44	263085	• Rotor	1	
	261067	• Rotor	1	
3 - 45	261301	• Ignition Coil Assy.	1	Includes Ref. #46 - #52
	261069	• Ignition Coil Assy.	1	
3 - 46	261302	• • Coil	1	
	261070	• • Coil	1	
3 - 47	261744	• • Spark Plug Wire Assy.	1	Includes Ref. #48 - #50
3 - 48	261071	• • • Spark Plug Wire	1	
3 - 49	261074	• • • Spark Plug Boot	1	
3 - 50	261075	• • • Connector	1	
3 - 51	261072	• • Cap	1	
3 - 52	261073	• • Insulator	1	ø6# ø 6.8 x 80L
3 - 53	261076	Woodruff Key	1	
3 - 54	261077	Nut, Rotor	2	M6
3 - 55	261078	Spacer	2	
3 - 56	261256	Cap Screw	2	M4 x 25
3 - 57	261200	Spark Plug	1	NGK BPM64

Ref. No.	Parts No.	Parts Name	Q'ty	Remarks
3 - 58	261772	Ground Wire, Coil	2	
3 - 59	261202	Grommet	1	
3 - 60	261786	Plug	1	
3 - 61	261960	Fuel Tank Assy. ✕	1	Includes Ref. #62 - #80
3 - 62	261961	• Fuel Tank	1	
3 - 63	261584	• Fuel Tank Cap Assy.	1	Includes Ref. #64 & #65
1 - 64	261578	•• Fuel Tank Cap	1	
3 - 65	261105	•• Gasket	1	
3 - 66	261696	• Breather Assy.	1	
3 - 67	261795	• Fuel Pipe Pick-Up Assy.	1	Includes Ref. #68 - #78
3 - 68	261112	•• Fuel Pipe Assy.	1	Includes Ref. #69 - #71
3 - 69	261115	••• Grommet	1	
3 - 70	261113	••• Fuel Pipe	1	
3 - 71	261114	••• Return Pipe	1	ø3 x ø5 x 70L
3 - 72	261797	•• Fuel Filter Assy.	1	Includes Ref. #73 - #77
3 - 73	261798	••• Clip	1	
3 - 74	261799	••• Body	1	
3 - 75	261800	••• Filter	2	
3 - 76	261801	••• Packing	1	
3 - 77	261802	••• Retainer	1	
3 - 78	261117	•• Clip	1	
3 - 79	261118	• Pad	2	
3 - 80	261119	• Pad	1	
3 - 81	261117	Clip	1	
3 - 82	262129	Card, Starting Instruction	1	



## 4-REWIND STARTER ASSEMBLY

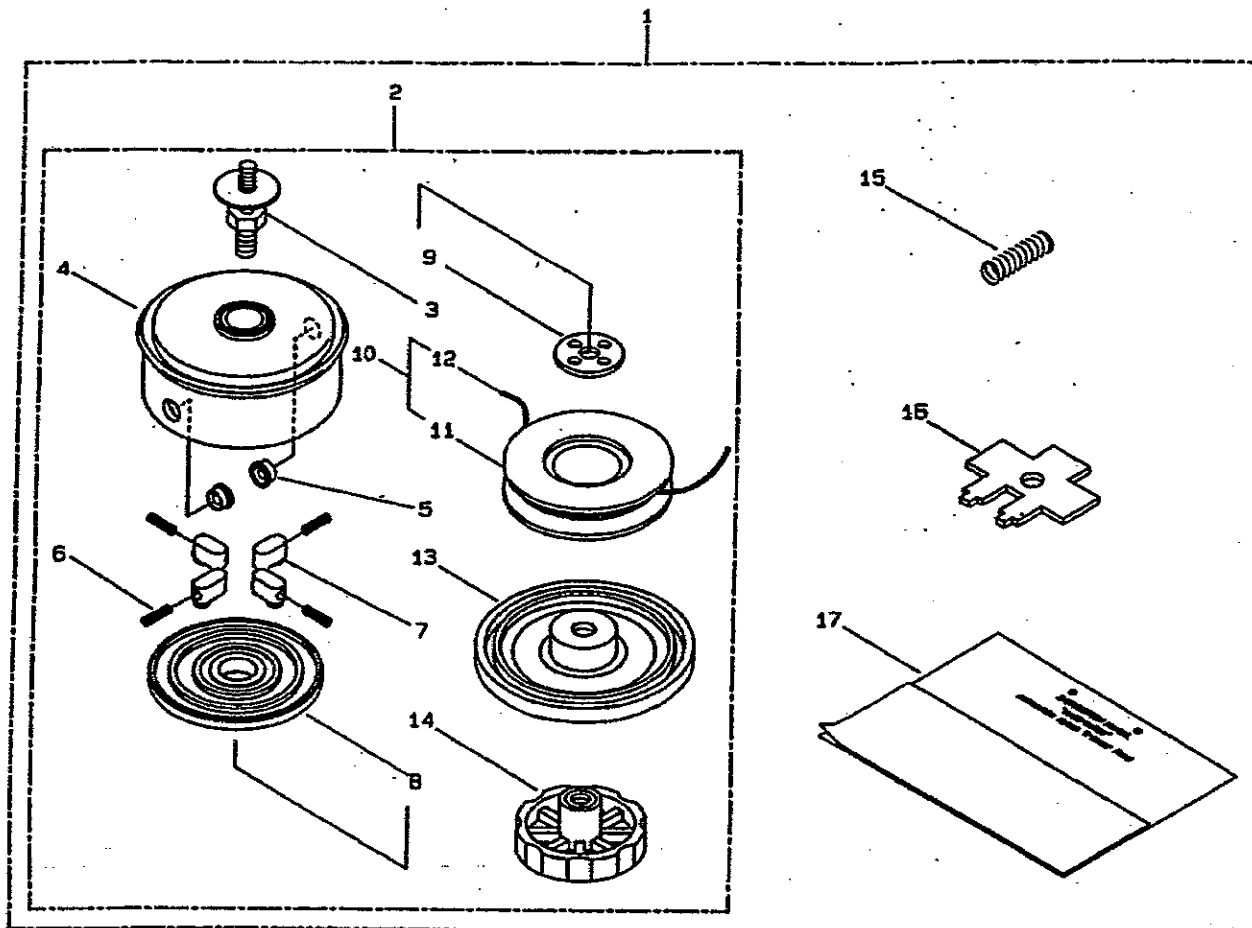


Ref.No	Parts No	Parts Name	Q'ty	Remarks
4- 1	262011	Rewind Starter Ass'y	1	Includes 2~10
4- 2	261626	•Rope Ass'y	1	Includes 3,4
4- 3	261628	••Starter Grip	1	
4- 4	261627	••Starter Rope	1	
4- 5	261625	•Rope Guide	1	
4- 6	262000	•Starter Case	1	
4- 7	261622	•Rewind Spring	1	
4- 8	261621	•Pulley	1	
4- 9	261623	•Washer	1	
4-10	261624	•Screw	1	M5×12
4-11	261154	Starter Pawl Ass'y	1	Includes 12~15
4-12	261630	•Pawl	1	
4-13	261631	•Return Spring	1	
4-14	261629	•Pawl Case	1	
4-15	020299	•E-Ring	1	
4-16	261257	Cap Screw	4	M4×16
4-17	262101	Label	1	
4-18	261077	Nut	1	M6
4-19	262403	Stand	1	
4-20	261607	Cap Screw	2	M5×16



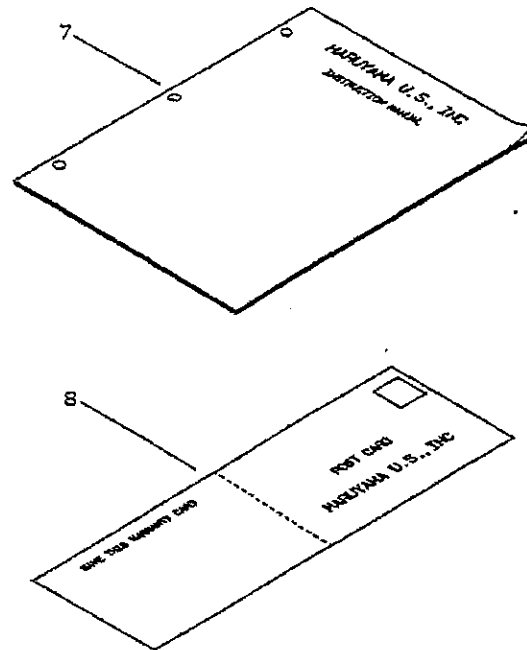
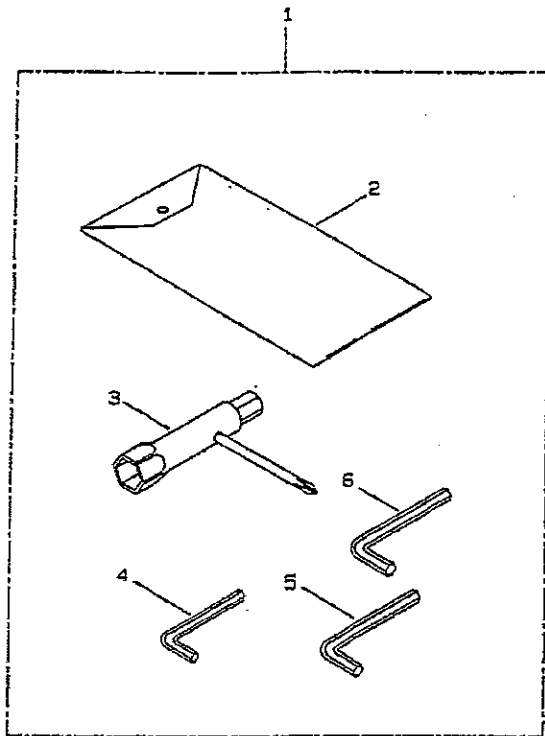
Ref. No.	Parts No.	Parts Name	Q'ty	Remarks
5 - 1	261634	Carburetor Assy.	1	Includes 2 - 33
5 - 2	261871	• O-Ring	1	
5 - 3	262121	• Main Jet	1	#41
	261636	• Main Jet	1	#42
		(BC201C)		
		(BC200C)		
5 - 4	261637	• Gasket	1	
5 - 5	261638	• Diaphragm	1	
5 - 6	261639	• Plate	1	
		(BC200C)		
5 - 7	261640	• Gasket	1	
		(BC200C)		
5 - 8	263290	• Pump Body	1	Includes Ref. #9
	261641	• Pump Body	1	Includes Ref. #9
		(BC201C)		
		(BC200C)		
5 - 9	261872	• • Inlet Screen	1	
5 - 10	261642	• Gasket	1	
5 - 11	261873	• Diaphragm, Metering	1	
5 - 12	262496	• Diaphragm Body	1	
	261643	• Diaphragm Body	1	
		(BC201C)		
		(BC200C)		
5 - 13	261644	• Diaphragm, Primer	1	
5 - 14	261650	• Retainer	1	
5 - 15	261649	• Spring	1	
5 - 16	261645	• Purge Body	1	Includes Ref. #17
5 - 17	261646	• • Valve	1	
5 - 18	261874	Primer Bulb	1	
5 - 19	261647	• Cover Plate	1	
5 - 20	263251	• Screw	4	
	261648	• Screw	4	
		(BC201C)		
		(BC200C)		
5 - 21	261876	• E-Ring	1	
5 - 22	261651	• Throttle Valve Assy.	1	
5 - 23	261652	• Plug	1	
5 - 24	261658	• Swivel	1	
5 - 25	261875	• Screw	2	
5 - 26	261659	• Bracket	1	
5 - 27	261878	• Nut	1	
5 - 28	261877	• Adapter	1	
5 - 29	261653	• Injection Button	1	
		• • Packing	1	
5 - 31	261655	• O-Ring	1	
5 - 32	261656	• Spring	1	
5 - 33	261657	• Packing	1	
5 - 34	261864	Gasket	1	
5 - 35	261090	Air Filter Plate	1	
5 - 36	262481	Air Filter Assy.	1	Includes Ref. #37 - #41
5 - 37	261598	• Foam Element	1	
5 - 38	261734	• Snap Ring	1	
5 - 39	261914	• Air Filter Cover	1	
5 - 40	261018	• Knob	1	
5 - 41	261993	• Screen	1	
5 - 42	261814	Cap Screw	2	M5 x 50
5 - 43	261803	Label	1	

# 6·MARU-MATIC TRIMMER HEAD



Ref.No	Parts No	Parts Name	Q'ty	Remarks
6- 1	262287	MARU-MATIC Trimmer Head Ass'y, R.H. Kit	1	Includes 2~17
6- 2	262327	•MARU-MATIC Trimmer Head Ass'y, R.H.	1	Includes 3~14
6- 3	262328	••Adapter, R.H.	1	
6- 4	262312	••Spool Housing	1	
6- 5	262313	••Eyelet	2	
6- 6	262329	••Cam Spring	4	Silver (Optional)
6- 7	262315	••Slide Cam	4	
6- 8	262316	••Cam Disk	1	
6- 9	262330	••Flat Nut, R.H.	1	
6-11	262319	•••Spool	1	
6-12	262320	•••Cutting Line	1	
6-13	262321	••Cover	1	
6-14	262332	••Knob, R.H.	1	
6-15	262314	•Cam Spring	4	Red (Standard)
6-16	262323	•Fastening Tool	1	
6-17	262324	•Instruction Manual	1	

# 7 · ACCESSORIES



Ref.No.	Parts No.	Parts Name	Q'ty	Remarks
7- 1	215997	Tool Kit	1	Includes 2~6
7- 2	054753	•Tool Bag	1	
7- 3	210418	•Box Spanner	1	13×19×⊕ Screwdriver
7- 4	062047	•Wrench	1	3mm
7- 5	105489	•Wrench	1	4mm
7- 6	088287	•Wrench	1	5mm
7- 7	216006	Instruction Manual	1	
7- 8	216007	Warranty Card	1	



**Maruyama U.S., Inc.**  
3570 Shelby Lane  
Denton, TX 76207  
940-383-7400 voice  
940-383-7466 fax

[www.maruyama-us.com](http://www.maruyama-us.com)