

PARTS LIST

B42H

CONTENTS

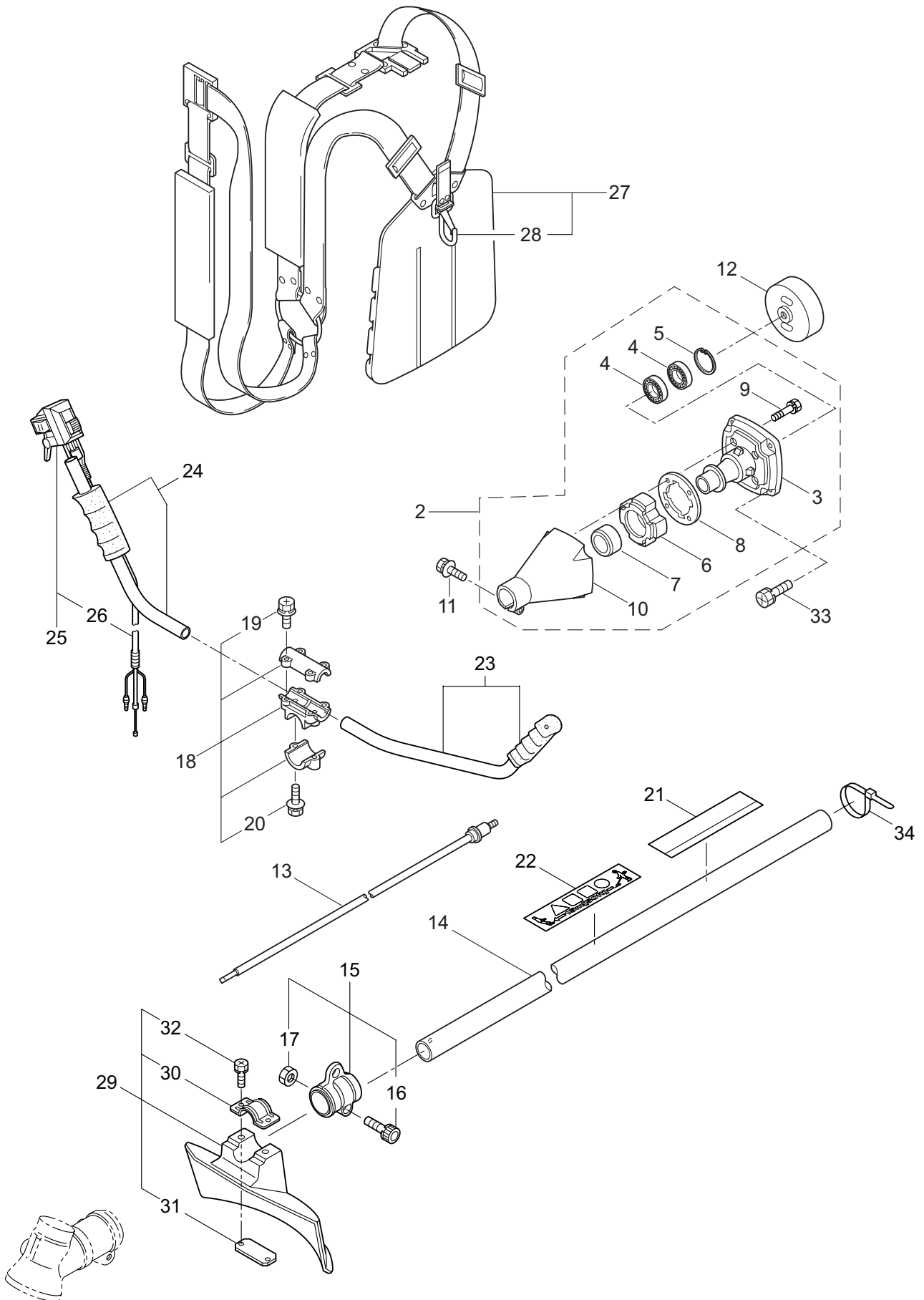
1. MAIN BODY	1 ~ 2
2. GEARCASE.....	3 ~ 4
3. ENGINE.....	5 ~ 8
4. CARBURETOR, FUEL TANK	9 ~ 10
5. ACCESSORIES	11 ~ 12

2015.07.



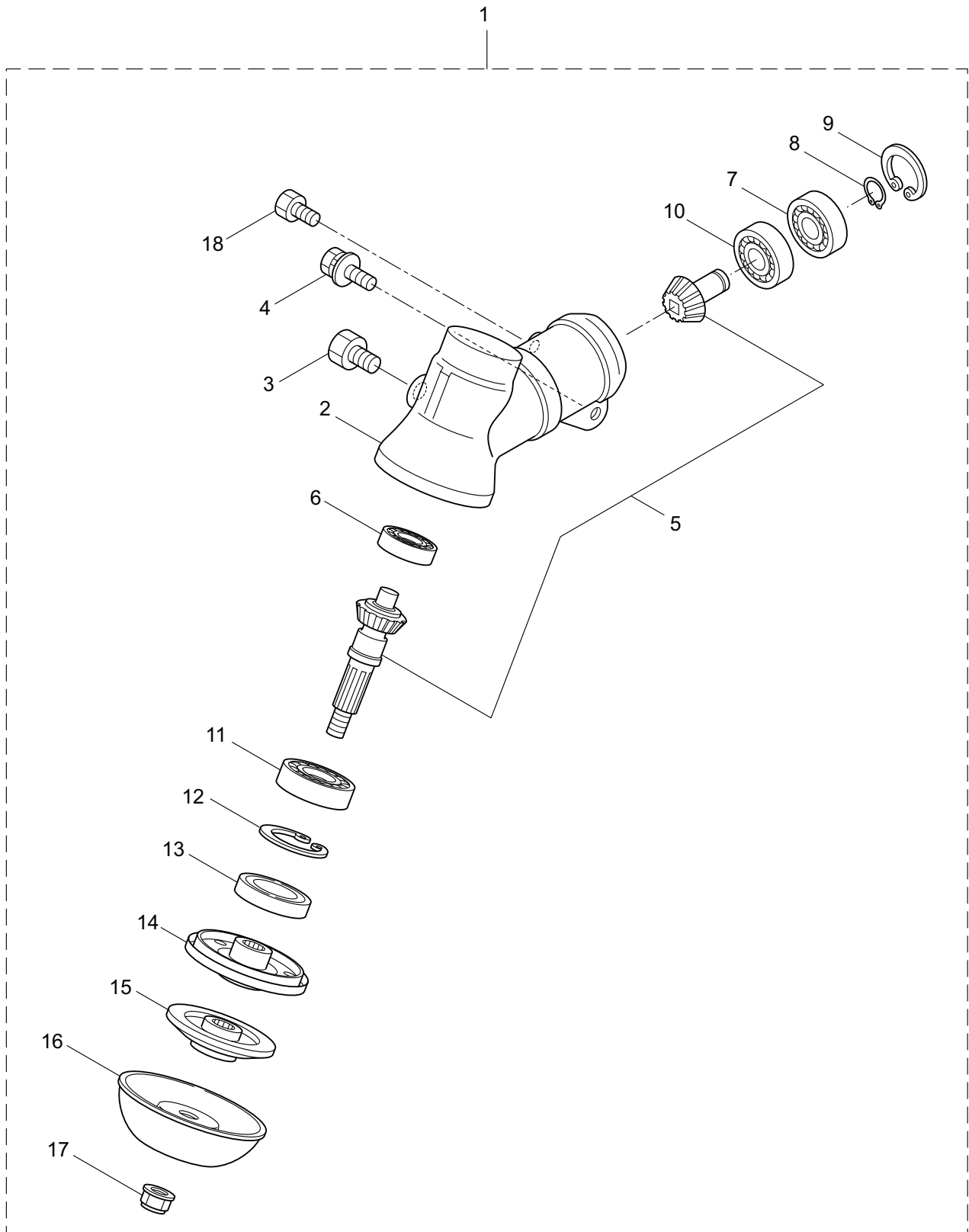
P/N 524121

1. B42H
MAIN BODY



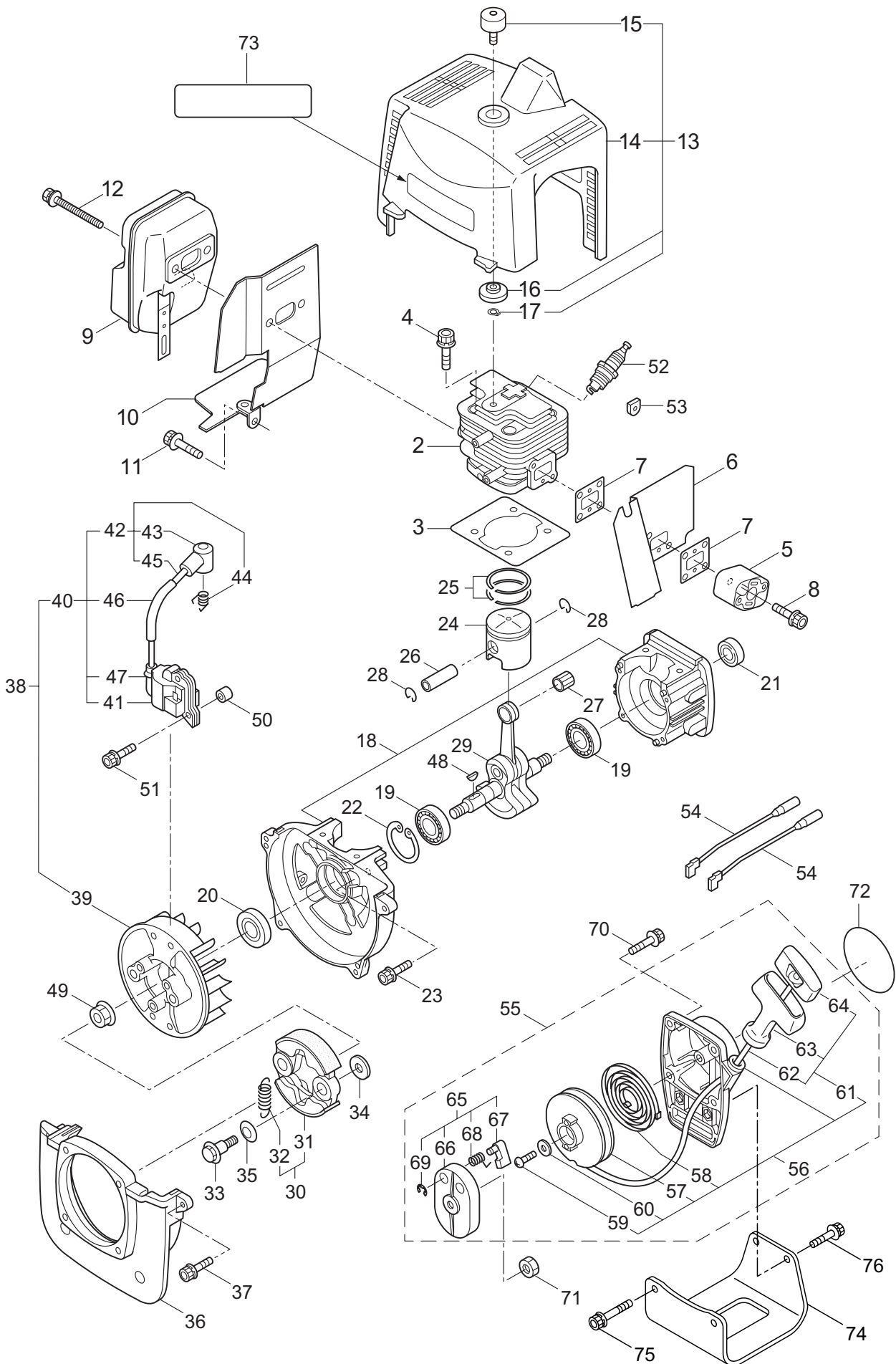
Ref. No.	Part No.	Part Name	Q'ty	Remarks
1-1	366103	B42H	1	
1-2	560199	Clutch Case Ass'y	1	Incl.3-10
1-3	234143	Bearing Case	1	
1-4	140474	Bearing	2	#6202ZZ
1-5	563066	Snap Ring	1	#35
1-6	217045	Buffer (A)	1	
1-7	217046	Buffer (B)	1	
1-8	217047	Washer	1	
1-9	092033	Screw	4	M5x15
1-10	227728	Driveshaft Tube Adapter	1	
1-11	092556	Bolt	1	M6x30
1-12	211203	Clutch Drum	1	
1-13	217897	Driveshaft Ass'y	1	
1-14	560047	Driveshaft Tube	1	28xT2.0x1450L
1-15	232696	Hanging Bracket Ass'y	1	Incl.16,17
1-16	232700	Bolt	1	M5x25
1-17	126993	Nut	1	M5
1-18	560051	Bracket Ass'y	1	Incl.19,20
1-19	092554	Bolt	4	M6x25
1-20	092556	Bolt	2	M6x30
1-21	560230	Label	1	B42H
1-22	213750	Label	1	Caution
1-23	560209	Handle Ass'y	1	
1-24	560210	Handle Ass'y	1	
1-25	222152	Throttle Trigger	1	Incl.26
1-26	226573	Wire Ass'y	1	
1-27	219612	Hanging Strap Ass'y	1	Incl.28
1-28	231657	Hook	1	
1-29	560232	Safety Cover Ass'y	1	Incl.30-32
1-30	560066	Bracket	1	
1-31	560067	Threaded Bracket	1	
1-32	092555	Bolt	2	M6x30
1-33	092552	Bolt	4	M6x20
1-34	214022	Band	2	

2. B42H
GEARCASE



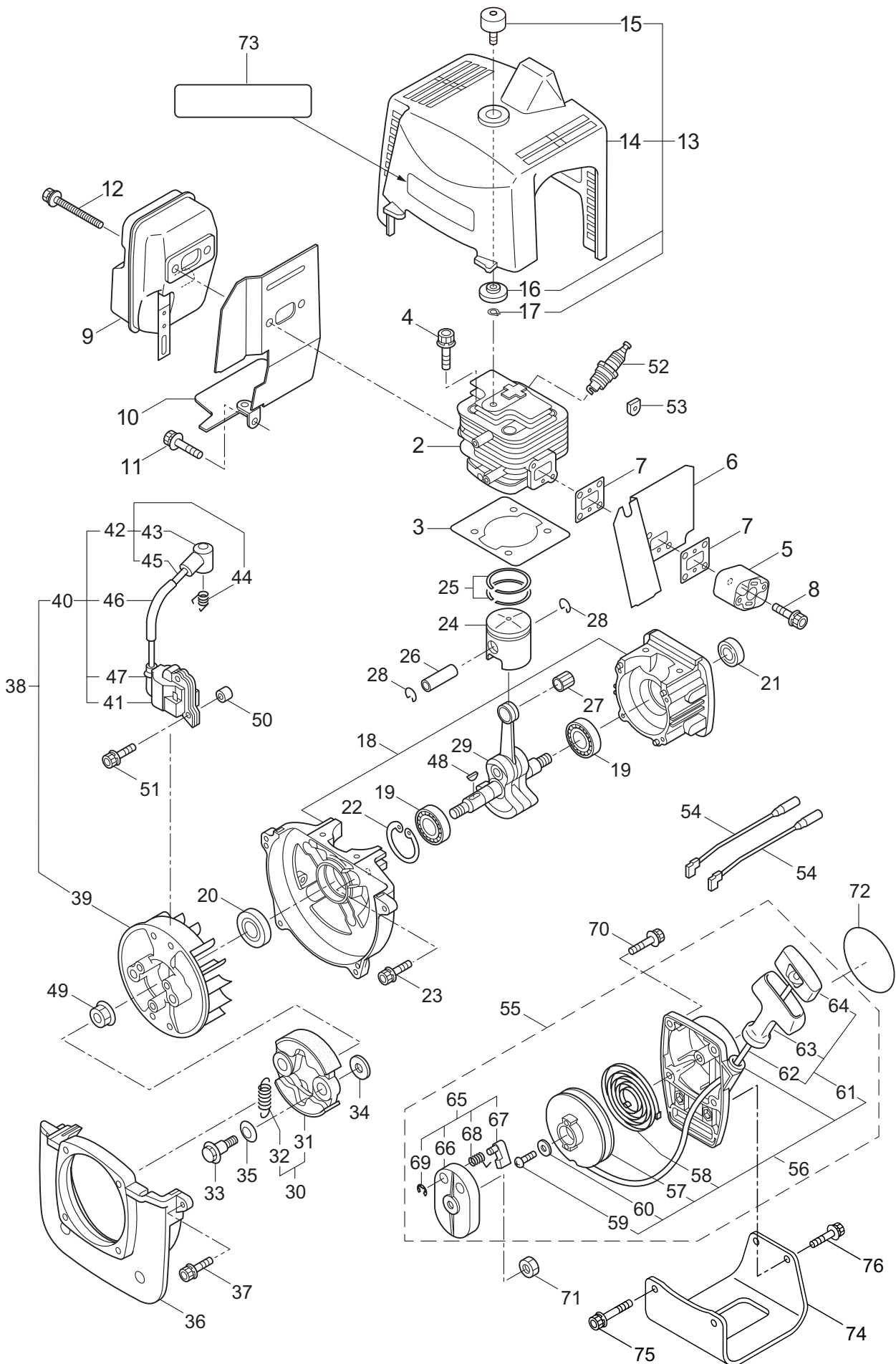
Ref. No.	Part No.	Part Name	Q'ty	Remarks
2-1	232919	Gearcase Ass'y	1	Incl.2-18
2-2	232833	Gearcase	1	
2-3	234109	Bolt	1	M8x8
2-4	092556	Bolt	1	M6x30
2-5	234349	Gear Set	1	
2-6	014490	Bearing	1	#6000
2-7	106933	Bearing	1	#6000Z
2-8	014210	Snap Ring	1	#10
2-9	054676	Snap Ring	1	#26
2-10	014490	Bearing	1	#6000
2-11	012544	Bearing	1	#6202
2-12	012380	Snap Ring	1	#35
2-13	232049	Oil Seal	1	D21355
2-14	232322	Bracket A Ass'y	1	
2-15	232052	Bracket B	1	
2-16	230849	Stabilizer	1	
2-17	232920	Nut	1	M10x1.25
2-18	089747	Bolt	1	M6x12

3. B42H ENGINE



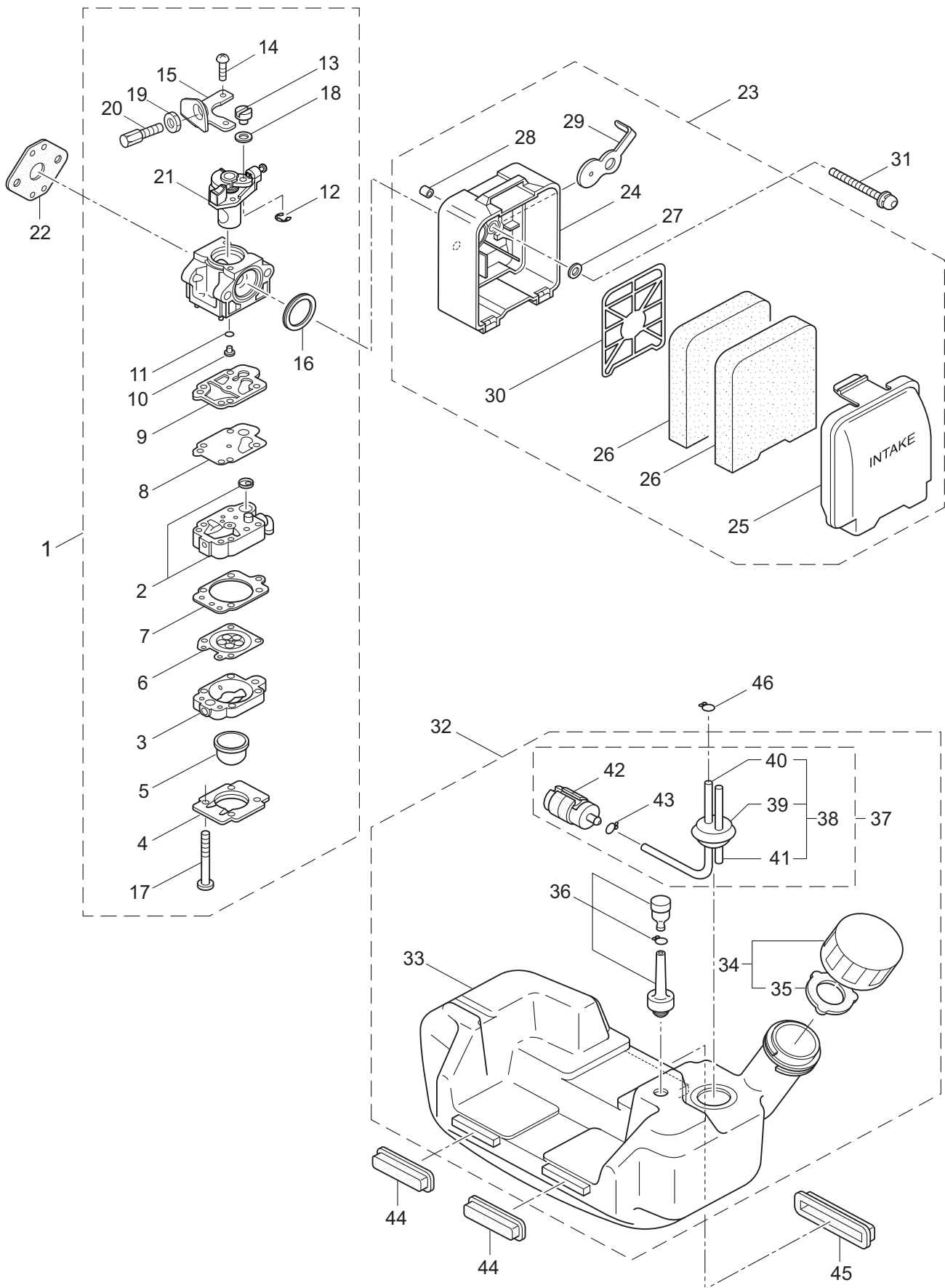
Ref. No.	Part No.	Part Name	Q'ty	Remarks
3-1	859814	Engine	1	AE420THT/09
3-2	262544	Cylinder	1	New gasket required
3-3	262546	Gasket	1	
3-4	261246	Cap Screw	4	M5x25
3-5	262548	Insulator	1	New gasket required
3-6	262550	Air Duct	1	
3-7	262790	Gasket	2	
3-8	265924	Cap Screw	2	M5x25
3-9	269080	Muffler	1	
3-10	262617	Gasket	1	
3-11	261607	Cap Screw	1	M5x16
3-12	262687	Cap Screw	2	M6x65
3-13	285981	Top Cover Ass'y	1	Incl.14-17
3-14	265343	Top Cover	1	New label required
3-15	285843	Knob	1	
3-16	262689	Spacer	1	
3-17	262690	Snap Ring	1	#6
3-18	262558	Crankcase	1	
3-19	262658	Bearing	2	#6202C3
3-20	262660	Oil Seal	1	TC15357
3-21	262565	Oil Seal	1	ISCD15257
3-22	563066	Snap Ring	1	#35
3-23	261999	Cap Screw	4	M5x40
3-24	281299	Piston	1	
3-25	262476	Piston Ring	2	(2)Required
3-26	262749	Piston Pin	1	
3-27	262659	Bearing,Needle	1	KTV111414EG01B2
3-28	262479	Clip,Piston Pin	2	
3-29	280534	Crankshaft/Conn.Rod Ass'y	1	
3-30	262577	Clutch Ass'y	1	Incl.31,32
3-31	282624	Clutch Shoe	2	(2)required
3-32	263615	Spring,Clutch	1	
3-33	282321	Cap Screw	2	M8x1.25
3-34	262683	Washer	2	8x22xt1.2
3-35	262682	Wave Washer	2	
3-36	281345	Fan Cover	1	
3-37	261250	Cap Screw	2	M5x20
3-38	267576	Magneto Ass'y	1	Incl.39-47
3-39	264673	Rotor/Fan	1	
3-40	267579	Ignition Coil Ass'y	1	Incl.41-47
3-41	267572	Coil	1	
3-42	267584	Spark Plug Wire Ass'y	1	Incl.43-45
3-43	261074	Plug Boot	1	
3-44	261075	Connector	1	
3-45	267585	Spark Plug Wire	1	

3. B42H ENGINE



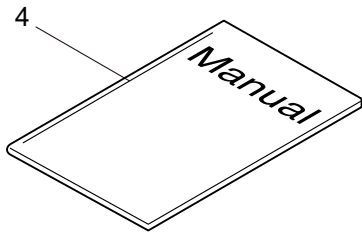
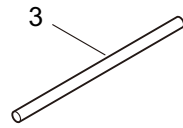
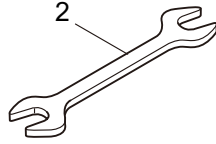
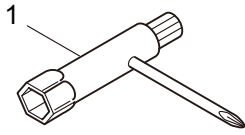
Ref. No.	Part No.	Part Name	Q'ty	Remarks
3-46	269421	Insulator	1	
3-47	261072	Cap	1	
3-48	261076	Woodruff Key	1	3x10
3-49	262731	Nut,Rotor	1	M10
3-50	280381	Spacer	2	
3-51	261256	Cap Screw	2	M4x25
3-52	261200	Spark Plug	1	NGK BPM6Y
3-53	261202	Grommet	1	
3-54	267519	Wire, Lead	2	
3-55	263525	Recoil Starter Ass'y	1	Incl.56-69
3-56	263526	Recoil Ass'y	1	Incl.57-64
3-57	262626	Pulley	1	
3-58	262627	Spiral Spring	1	
3-59	262629	Screw	1	
3-60	262982	Washer	1	
3-61	262631	Rope Ass'y	1	Incl.62-64
3-62	262632	Starter Rope	1	
3-63	262633	Starter Grip	1	
3-64	262981	Cap	1	
3-65	262634	Starter Pawl Ass'y	1	Incl.66-69
3-66	262635	Pawl Case	1	
3-67	262636	Pawl	1	
3-68	262637	Return Spring	1	
3-69	262638	E-Ring	1	
3-70	282096	Cap Screw	4	M4x16WSW
3-71	126990	Nut	1	M8
3-72	563153	Label	1	
3-73	563036	Label	1	
3-74	263281	Stand	1	
3-75	268270	Cap Screw	2	M5x40
3-76	261607	Cap Screw	2	M5x16

4. B42H
CARBURETOR, FUEL TANK



Ref. No.	Part No.	Part Name	Q'ty	Remarks
4-1	280319	Carburetor Ass'y	1	Incl.2-21 New gasket required
4-2	263739	Pump Body	1	
4-3	262991	Purge Body	1	
4-4	262992	Cover Plate	1	
4-5	261874	Primer Bulb	1	
4-6	261873	Diaphragm,Metering	1	
4-7	262993	Gasket	1	
4-8	262994	Diaphragm,Fuel Pump	1	
4-9	282576	Gasket	1	
4-10	263967	Main Jet	1	#48
4-11	261871	O-Ring	1	
4-12	261876	E-Ring	1	
4-13	261658	Swivel	1	
4-14	261875	Screw	2	
4-15	264677	Bracket	1	
4-16	261657	Packing	1	
4-17	262996	Screw	4	
4-18	264678	Washer	1	
4-19	261878	Nut	1	
4-20	263994	Adapter	1	
4-21	264676	Throttle Valve	1	
4-22	262587	Gasket	1	
4-23	263520	Air Filter Ass'y	1	Incl.24-30
4-24	263723	Housing	1	
4-25	263713	Air Filter Cover	1	
4-26	263714	Foam Element	2	
4-27	263000	Washer	1	
4-28	263715	Sleeve	2	
4-29	263007	Choke Valve	1	
4-30	263717	Screen	1	
4-31	261814	Cap Screw	2	M5x50
4-32	289351	Fuel Tank Ass'y	1	Incl.33-43
4-33	262594	Fuel Tank	1	
4-34	261584	Fuel Tank Cap Ass'y	1	Incl.35
4-35	261105	Gasket	1	
4-36	289352	Breather Ass'y	1	
4-37	289353	Fuel Pipe Pick-up Ass'y	1	Incl.38-43
4-38	289354	Fuel Pipe Ass'y	1	Incl.39-41
4-39	288192	Grommet	1	
4-40	563029	Fuel Pipe	1	
4-41	288194	Return Pipe	1	3x6x85
4-42	267328	Fuel Filter Ass'y	1	
4-43	563014	Clip	1	
4-44	261119	Pad	2	
4-45	262697	Pad	1	
4-46	563014	Clip	1	

5. B42H
ACCESSORIES



Ref. No.	Part No.	Part Name	Q'ty	Remarks
5-1	228008	Box Spanner	1	17x19x(+)
5-2	054756	Double-ended Wrench	1	10x13
5-3	212300	Lever Handle	1	6X100L
5-4	237850	Instruction Manual	1	