

PARTS LIST

B42A

CONTENTS

| | |
|--------------------------------|---------|
| 1. MAIN BODY | 1 ~ 2 |
| 2. GEARCASE..... | 3 ~ 4 |
| 3. ENGINE..... | 5 ~ 8 |
| 4. CARBURETOR, FUEL TANK | 9 ~ 12 |
| 5. ACCESSORIES | 13 ~ 14 |

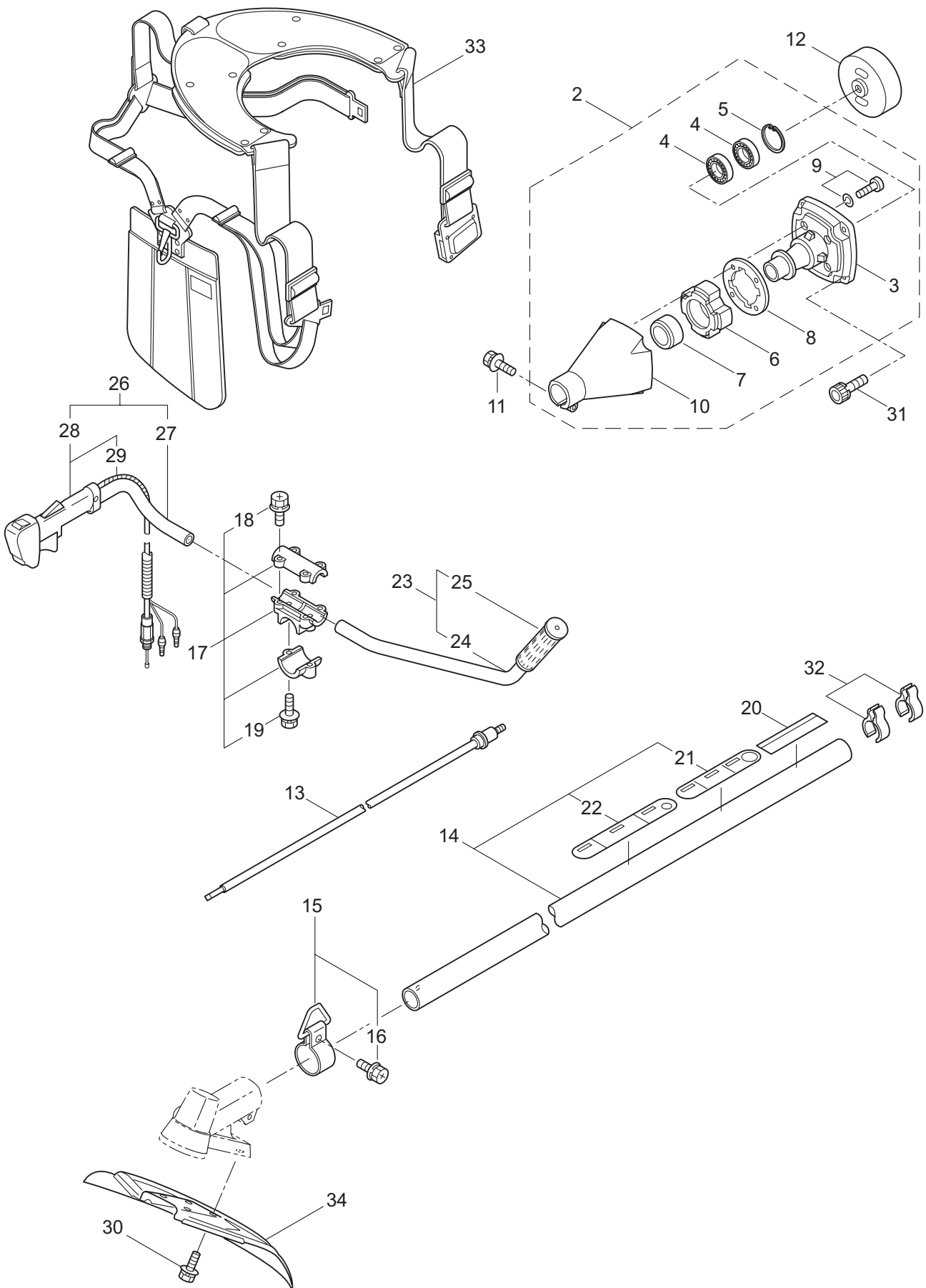
2020. 02.



MARUYAMA

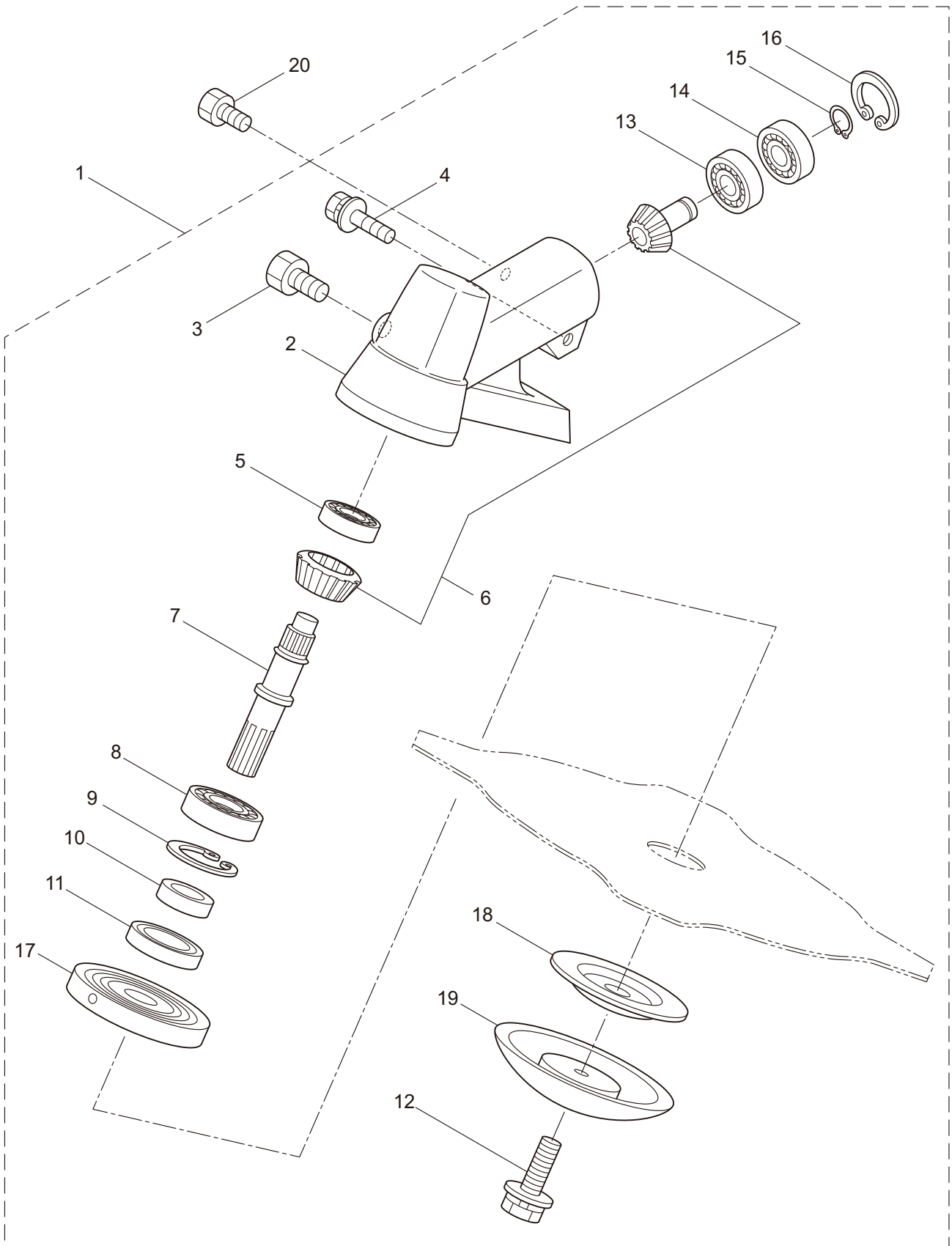
P/N 523018-1

1. B42A
MAIN BODY



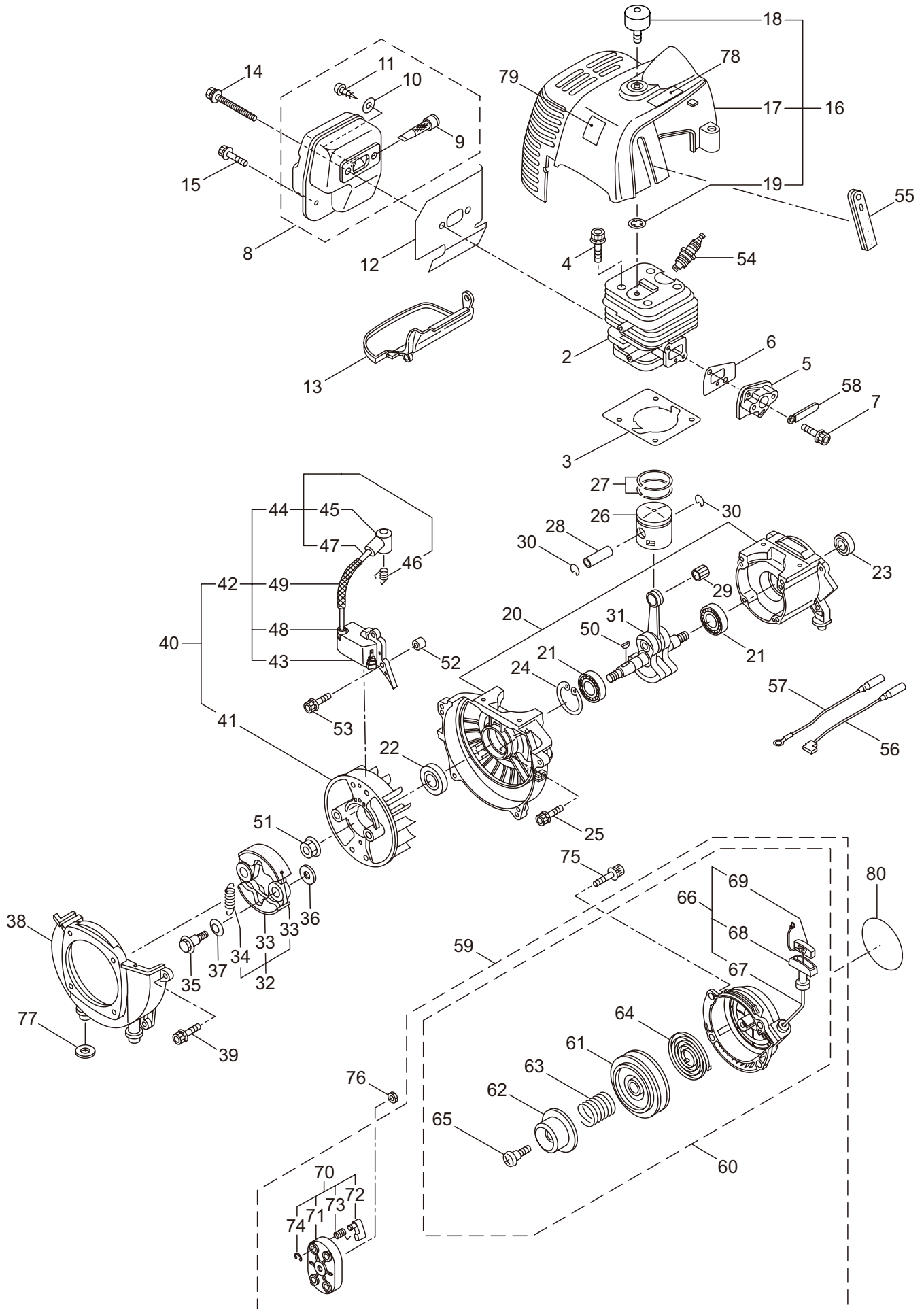
| Ref. No. | Part No. | Part Name | Q'ty | Remarks |
|----------|----------|-------------------------|------|------------|
| 1-1 | 363742 | B42A | 1 | |
| 1-2 | 234162 | Clutch Case Ass'y | 1 | Incl.3-10 |
| 1-3 | 234143 | Bearing Case | 1 | |
| 1-4 | 140474 | Bearing | 2 | #6202ZZ |
| 1-5 | 012380 | Snap Ring | 1 | #35 |
| 1-6 | 217045 | Buffer (A) | 1 | |
| 1-7 | 217046 | Buffer (B) | 1 | |
| 1-8 | 217047 | Washer | 1 | |
| 1-9 | 092033 | Screw | 4 | M5x15 |
| 1-10 | 227728 | Driveshaft Tube Adapter | 1 | |
| 1-11 | 092556 | Bolt | 1 | M6x30 |
| 1-12 | 211203 | Clutch Drum | 1 | |
| 1-13 | 217897 | Driveshaft Ass'y | 1 | |
| 1-14 | 220082 | Driveshaft Tube Ass'y | 1 | Incl.21,22 |
| 1-15 | 217850 | Hanging Bracket Ass'y | 1 | Incl.16 |
| 1-16 | 092548 | Bolt | 1 | M5x15 |
| 1-17 | 217638 | Bracket Ass'y | 1 | Incl.18,19 |
| 1-18 | 092554 | Bolt | 4 | M6x25 |
| 1-19 | 092556 | Bolt | 2 | M6x30 |
| 1-20 | 232515 | Label | 1 | B42A |
| 1-21 | 221501 | Label | 1 | Warning |
| 1-22 | 221502 | Label | 1 | Caution |
| 1-23 | 228398 | Handle Ass'y-Left | 1 | Incl.24,25 |
| 1-24 | 228399 | Handle (A) | 1 | |
| 1-25 | 226512 | Grip | 1 | |
| 1-26 | 229074 | Handle Ass'y-Right | 1 | Incl.27-29 |
| 1-27 | 228401 | Handle (B) | 1 | |
| 1-28 | 229005 | Throttle Trigger | 1 | Incl.29 |
| 1-29 | 229026 | Wire Ass'y | 1 | |
| 1-30 | 092562 | Bolt | 4 | M5x10 |
| 1-31 | 219113 | Cap Screw | 4 | M6x20 |
| 1-32 | 219161 | Wire Guide | 2 | |
| 1-33 | 998384 | Full Support Harness | 1 | |
| 1-34 | 217091 | Safety Cover | 1 | |

2. B42A
GEARCASE



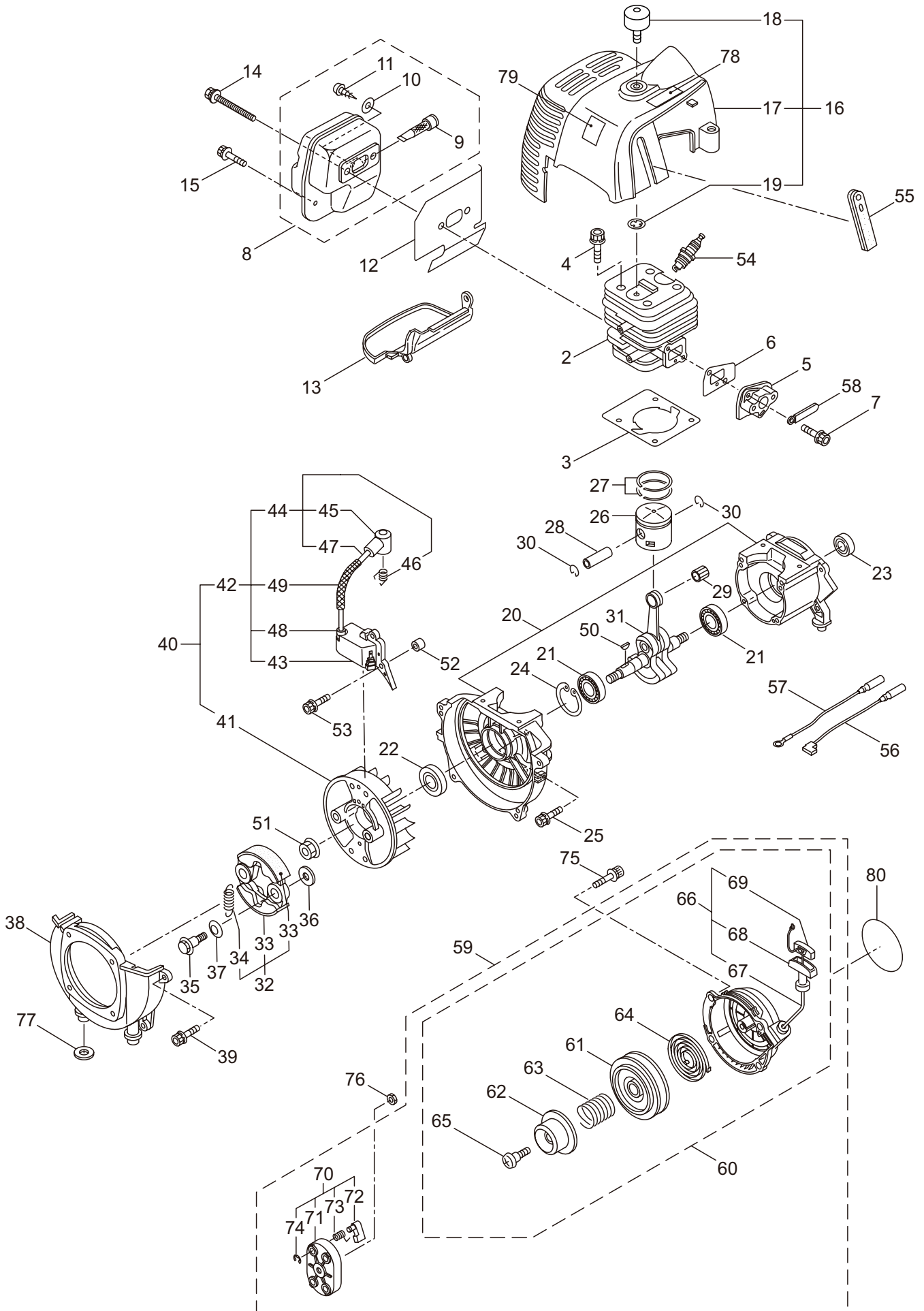
| Ref. No. | Part No. | Part Name | Q'ty | Remarks |
|----------|----------|-----------------|------|------------------------|
| 2-1 | 217088 | Gearcase Ass'y | 1 | Incl.2-19 |
| 2-2 | 217089 | Gearcase | 1 | |
| 2-3 | 234109 | Bolt | 1 | M8x8 |
| 2-4 | 092556 | Bolt | 1 | M6x30 |
| 2-5 | 210560 | Bearing | 1 | #609 |
| 2-6 | 227102 | Gear Set | 1 | |
| 2-7 | 217057 | Blade Shaft | 1 | |
| 2-8 | 022009 | Bearing | 1 | #6002 |
| 2-9 | 016732 | Snap Ring | 1 | #32 |
| 2-10 | 212394 | Collar | 1 | 15x22x8L |
| 2-11 | 211818 | Oil Seal | 1 | D22 32 6 |
| 2-12 | 215610 | Bolt | 1 | M8x22,Counterclockwise |
| 2-13 | 014490 | Bearing | 1 | #6000 |
| 2-14 | 106933 | Bearing | 1 | #6000Z |
| 2-15 | 014210 | Snap Ring | 1 | #10 |
| 2-16 | 054676 | Snap Ring | 1 | #26 |
| 2-17 | 217060 | Boss Adapter | 1 | |
| 2-18 | 217061 | Clamping Washer | 1 | |
| 2-19 | 210308 | Stabilizer | 1 | |
| 2-20 | 089747 | Bolt | 1 | M6x12 |

3. B42A ENGINE



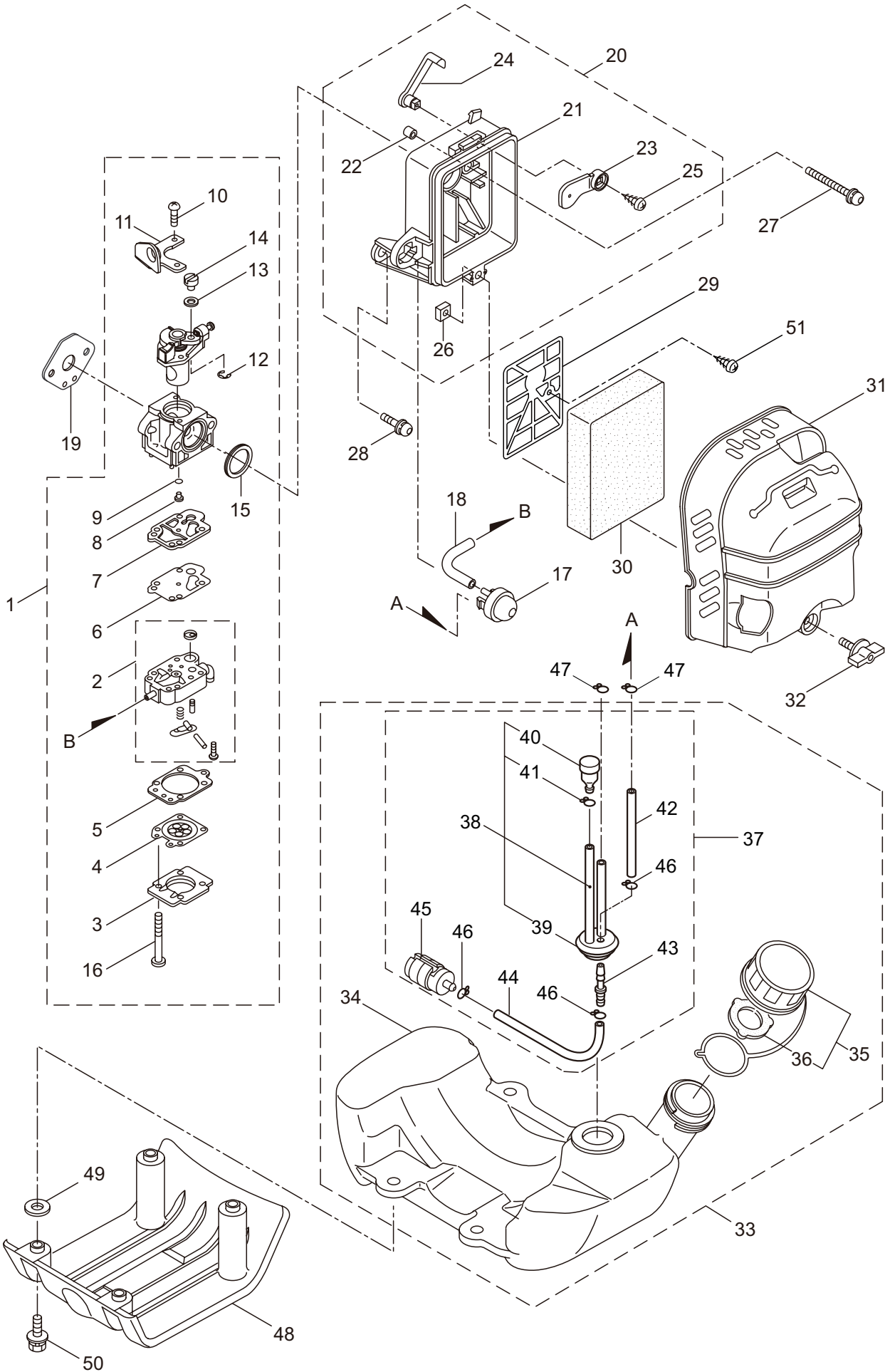
| Ref. No. | Part No. | Part Name | Q'ty | Remarks |
|----------|----------|---------------------------|------|---------------------|
| 3-1 | 858776 | Engine | 1 | CE420/03 |
| 3-2 | 279099 | Cylinder | 1 | |
| 3-3 | 279101 | Gasket | 1 | |
| 3-4 | 261246 | Cap Screw | 4 | M5x25 |
| 3-5 | 285778 | Insulator | 1 | New gasket required |
| 3-6 | 285779 | Gasket | 1 | |
| 3-7 | 265924 | Cap Screw | 2 | M5x25 |
| 3-8 | 286788 | Muffler Ass'y | 1 | Incl.9-11 |
| 3-9 | 262395 | Spark Arrester | 1 | |
| 3-10 | 284052 | Washer | 1 | M3 |
| 3-11 | 089530 | Tapping Screw | 1 | M3x10 |
| 3-12 | 285783 | Gasket | 1 | |
| 3-13 | 285784 | Under Cover | 1 | |
| 3-14 | 266713 | Cap Screw | 2 | M5x60 |
| 3-15 | 283315 | Screw | 1 | M5x12W-12 |
| 3-16 | 286891 | Top Cover Ass'y | 1 | Incl.17-19 |
| 3-17 | 285786 | Top Cover | 1 | |
| 3-18 | 285843 | Knob | 1 | |
| 3-19 | 286362 | Washer | 1 | M6 |
| 3-20 | 288200 | Crankcase | 1 | |
| 3-21 | 262658 | Bearing | 2 | #6202C3 |
| 3-22 | 246472 | Oil Seal | 1 | |
| 3-23 | 246471 | Oil Seal | 1 | |
| 3-24 | 012380 | Snap Ring | 1 | #35 |
| 3-25 | 261612 | Cap Screw | 4 | M5x30 |
| 3-26 | 285795 | Piston | 1 | |
| 3-27 | 262476 | Piston Ring | 2 | (2)Required |
| 3-28 | 262749 | Piston Pin | 1 | |
| 3-29 | 262659 | Bearing,Needle | 1 | KTV111414EG01B2 |
| 3-30 | 262479 | Clip,Piston Pin | 2 | |
| 3-31 | 285797 | Crankshaft/Conn.Rod Ass'y | 1 | |
| 3-32 | 262577 | Clutch Ass'y | 1 | Incl.33,34 |
| 3-33 | 282624 | Clutch Shoe | 2 | (2)required |
| 3-34 | 263615 | Spring,Clutch | 1 | |
| 3-35 | 283671 | Cap Screw | 2 | M8x1.25 |
| 3-36 | 262683 | Washer | 2 | 8x22xt1.2 |
| 3-37 | 262682 | Wave Washer | 2 | |
| 3-38 | 282285 | Fan Cover | 1 | |
| 3-39 | 261250 | Cap Screw | 4 | M5x20 |
| 3-40 | 285803 | Magneto Ass'y | 1 | Incl.41-49 |
| 3-41 | 286207 | Rotor/Fan | 1 | |
| 3-42 | 285804 | Ignition Coil Ass'y | 1 | Incl.43-49 |
| 3-43 | 285805 | Coil | 1 | |
| 3-44 | 285806 | Spark Plug Wire Ass'y | 1 | Incl.45-47 |
| 3-45 | 261074 | Plug Boot | 1 | |

3. B42A ENGINE



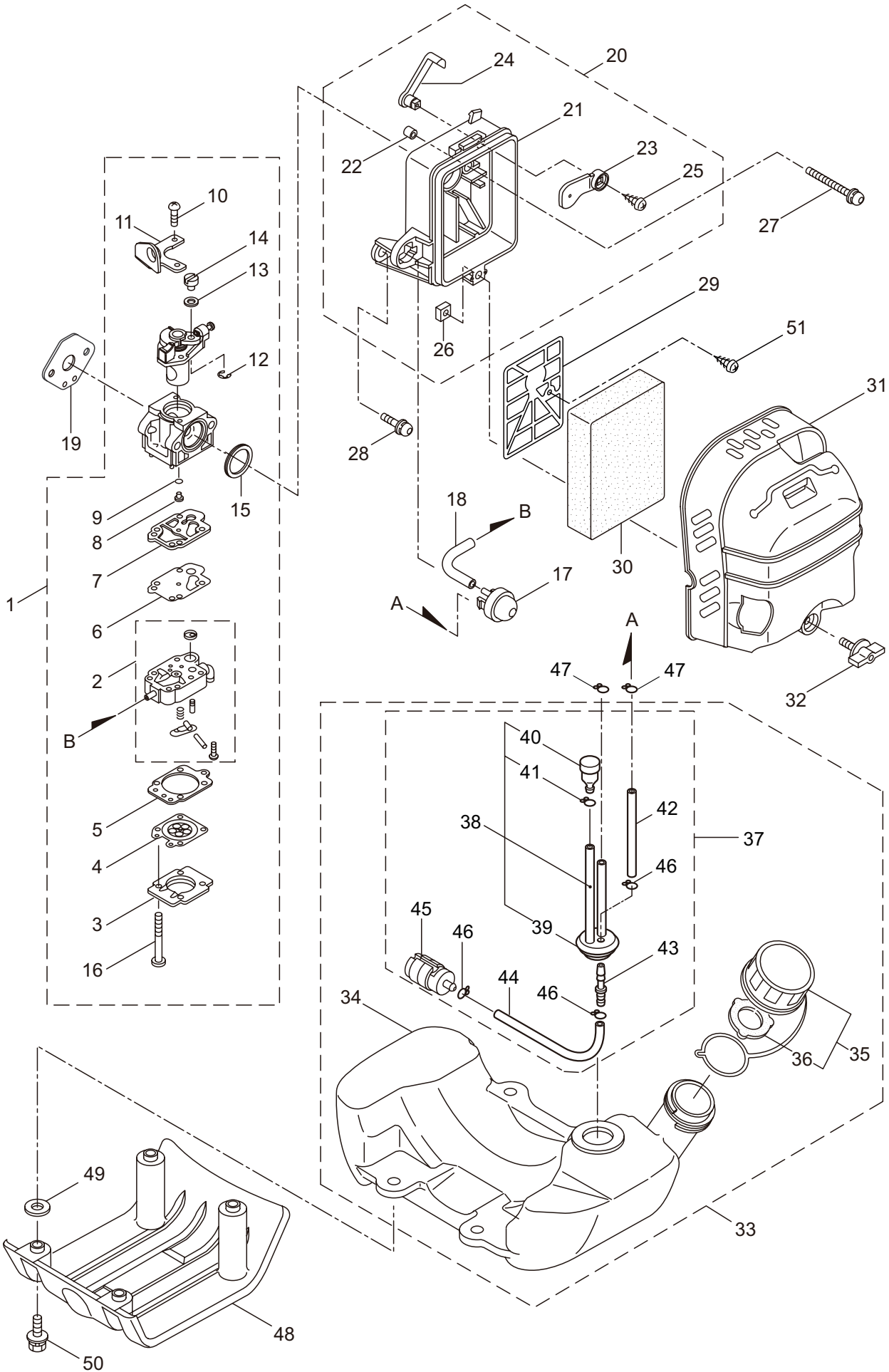
| Ref. No. | Part No. | Part Name | Q'ty | Remarks |
|----------|----------|----------------------|------|-------------|
| 3-46 | 261075 | Connector | 1 | |
| 3-47 | 286273 | Spark Plug Wire | 1 | |
| 3-48 | 261072 | Cap | 1 | |
| 3-49 | 284759 | Insulator | 1 | |
| 3-50 | 261076 | Woodruff Key | 1 | 3x10 |
| 3-51 | 262731 | Nut,Rotor | 1 | M10 |
| 3-52 | 280381 | Spacer | 2 | |
| 3-53 | 261256 | Cap Screw | 2 | M4x25 |
| 3-54 | 285982 | Spark Plug | 1 | NGK BPM8Y |
| 3-55 | 286988 | Grommet | 1 | |
| 3-56 | 283735 | Wire, Coil | 1 | |
| 3-57 | 284541 | Wire,Lead | 1 | |
| 3-58 | 264588 | Clamp | 1 | |
| 3-59 | 285809 | Recoil Starter Ass'y | 1 | Incl.60-74 |
| 3-60 | 285810 | Starter Ass'y | 1 | Incl.61-69 |
| 3-61 | 286291 | Reel | 1 | |
| 3-62 | 286292 | Cam Plate | 1 | |
| 3-63 | 286293 | Damper Spring | 1 | |
| 3-64 | 280995 | Spiral Spring | 1 | |
| 3-65 | 286295 | Set Screw | 1 | |
| 3-66 | 286296 | Starter Rope Ass'y | 1 | Incl.67-69 |
| 3-67 | 286297 | Starter Rope | 1 | 3.8x1000 |
| 3-68 | 262633 | Starter Grip | 1 | |
| 3-69 | 262981 | Cap | 1 | |
| 3-70 | 285679 | Starter Pulley Ass'y | 1 | Incl.71-74 |
| 3-71 | 285680 | Starter Pulley | 1 | |
| 3-72 | 285681 | Pawl | 2 | |
| 3-73 | 285682 | Return Spring | 2 | |
| 3-74 | 262638 | E-Ring | 2 | |
| 3-75 | 268940 | Screw | 4 | M5x18 |
| 3-76 | 285736 | Nut | 1 | M8 |
| 3-77 | 285735 | Packing | 4 | |
| 3-78 | 287272 | Label | 1 | |
| 3-79 | 287274 | Label | 1 | B42A VENOM |
| 3-80 | 287273 | Label | 1 | B42A/CER420 |

4. B42A
 CARBURETOR, FUEL TANK



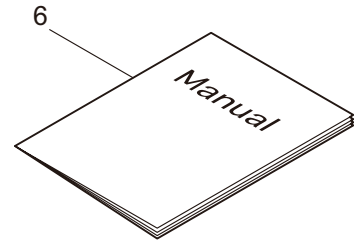
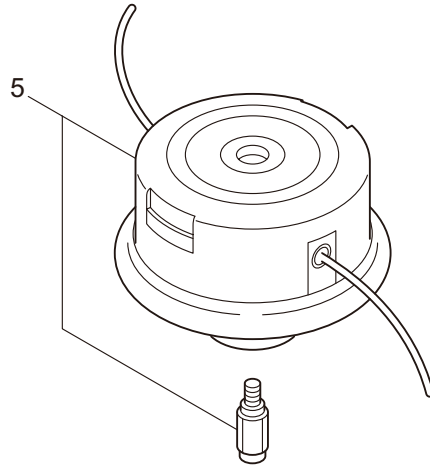
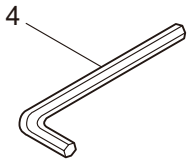
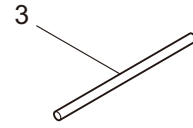
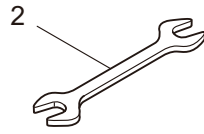
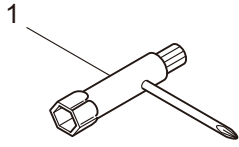
| Ref. No. | Part No. | Part Name | Q'ty | Remarks |
|----------|----------|-------------------------|------|-------------------------------|
| 4-1 | 287021 | Carburetor Ass'y | 1 | Incl.2-16 New gasket required |
| 4-2 | 283124 | Pump Body | 1 | |
| 4-3 | 263726 | Cover Plate | 1 | |
| 4-4 | 283905 | Diaphragm, Meterring | 1 | |
| 4-5 | 263727 | Gasket | 1 | |
| 4-6 | 262994 | Diaphragm,Fuel Pump | 1 | |
| 4-7 | 282576 | Gasket | 1 | |
| 4-8 | 287061 | Main Jet | 1 | |
| 4-9 | 261871 | O-Ring | 1 | |
| 4-10 | 261875 | Screw | 2 | |
| 4-11 | 264677 | Bracket | 1 | |
| 4-12 | 261876 | E-Ring | 1 | |
| 4-13 | 264678 | Washer | 1 | |
| 4-14 | 261658 | Swivel | 1 | |
| 4-15 | 261657 | Packing | 1 | |
| 4-16 | 263737 | Screw | 4 | |
| 4-17 | 282299 | Pump | 1 | |
| 4-18 | 282512 | Fuel Pipe | 1 | |
| 4-19 | 282301 | Gasket | 1 | |
| 4-20 | 282302 | Case Ass'y | 1 | Incl.21-26 |
| 4-21 | 282303 | Case Body | 1 | |
| 4-22 | 282484 | Sleeve | 3 | |
| 4-23 | 282304 | Valve | 1 | |
| 4-24 | 282305 | Lever | 1 | |
| 4-25 | 269032 | Screw | 1 | |
| 4-26 | 269423 | Nut | 1 | |
| 4-27 | 261814 | Cap Screw | 2 | M5x50 |
| 4-28 | 264807 | Cap Screw | 1 | M5x16 |
| 4-29 | 282481 | Plate | 1 | |
| 4-30 | 282306 | Element | 1 | |
| 4-31 | 285814 | Cleaner Cover | 1 | |
| 4-32 | 279350 | Knob | 1 | |
| 4-33 | 289040 | Fuel Tank Ass'y | 1 | Incl.34-46 |
| 4-34 | 285817 | Fuel Tank | 1 | |
| 4-35 | 289046 | Tank Cap Ass'y | 1 | Incl.36 |
| 4-36 | 287058 | Gasket | 1 | |
| 4-37 | 289041 | Fuel Pipe Pick-up Ass'y | 1 | Incl.38-46 |
| 4-38 | 289042 | Fuel Pipe Ass'y | 1 | Incl.39-41 |
| 4-39 | 268065 | Grommet | 1 | |
| 4-40 | 261590 | Breather | 1 | |
| 4-41 | 261117 | Clip | 1 | |
| 4-42 | 289028 | Pipe A | 1 | 3x5x53L |
| 4-43 | 288921 | Joint | 1 | |
| 4-44 | 289029 | Pipe | 1 | 3x5x125L |
| 4-45 | 267328 | Fuel Filter Ass'y | 1 | |

4. B42A
 CARBURETOR, FUEL TANK



| Ref. No. | Part No. | Part Name | Q'ty | Remarks |
|----------|----------|-----------|------|---------|
| 4-46 | 261117 | Clip | 3 | |
| 4-47 | 261117 | Clip | 2 | |
| 4-48 | 285819 | Stand | 1 | |
| 4-49 | 285735 | Packing | 4 | |
| 4-50 | 281714 | Cap Screw | 4 | M5x20 |
| 4-51 | 269032 | Screw | 1 | |

5. B42A
ACCESSORIES



| Ref. No. | Part No. | Part Name | Q'ty | Remarks |
|----------|----------|---------------------|------|---------------|
| 5-1 | 210418 | Box Spanner | 1 | 13x19x(+) |
| 5-2 | 022865 | Double-ended Wrench | 1 | 8x10 |
| 5-3 | 210181 | Lever Handle | 1 | 3.5x170L |
| 5-4 | 219433 | Wrench | 1 | 5mm |
| 5-5 | 840337 | Nylon Head (4) | 1 | |
| 5-6 | 231898 | Instruction Manual | 1 | B42/B42L/B42A |