

MARUYAMA

OWNER'S/OPERATOR'S MANUAL
MANUAL DEL PROPIETARIO U OPERADOR
Mist Duster
MD830



Premium Outdoor Power Equipment  **MARUYAMA** *Extraordinary.*

Completely read and understand this manual prior to using this product.

Lisez et assimilez la totalité de ce manuel avant d'utiliser cet appareil.

Lea y entienda este manual a fondo, antes de usar este aparato.

TABLE OF CONTENTS

Foreword	1	Name of each part	8
Safety symbols	1	Operating instructions	11
Warning label	1	Regular maintenance	13
Warranty	4	Storage	15
Specifications	7	Emission control information	15
Assembly parts	7		

FOREWORD

This Owner's/Operator's Manual is designed to familiarize the operator with the various features and component parts of the equipment and to assist you with the assembly, operation and maintenance of your new Backpack Blower.

It is essential that any operator of this Backpack Blower product reads and understands the contents of this manual before using the Backpack Blower.

Important safety instructions will be identified by the following safety symbol:



Failure to comply with the instructions in this manual may result in serious injury or death.

For additional assistance, contact any local authorized Maruyama dealer or Maruyama U.S., Inc., 4770 Mercantile Drive, suite100, Fort Worth, TX 76137 U.S.A.

phone : 940-383-7400

web : www.maruyama-us.com

MANUAL SAFETY SYMBOLS

Throughout this manual and on the product itself, you will find safety alerts and helpful, information message preceded by symbols or key words. The following is an explanation of those symbols and key words and what they mean to you.



This symbol accompanied by the words **WARNING** and **DANGER** calls attention to an act or condition that can lead to serious personal injury to operator and bystanders.

Warning label

- Always remove dirt or mud to make the indications legible.
- The following alarm labels are attached.

Alarm label



Read Owner's/Operator's Manual thoroughly.
Make sure you read the Owner's/Operator's Manual thoroughly prior to use.



Prohibition of fire
Don't put a naked flame close to a place where supplying fuel or doing maintenance.



Wear a protector.
Wear protectors such as hat, safety glasses, ear plugs during work.



Cautions for exhaust gas.
Take care not to breathe in exhaust gas from the engine.



Cautions for high temperatures
Muffler of engine, fin of cylinder, etc. are at high temperatures. Don't touch them.



Limited Warranty Statement

All Maruyama commercial/ industrial products are warranted to the original purchaser to be free from defects in material and workmanship **from the date of purchase** for the time periods listed as follows:

Lifetime for inner drive shaft on trimmers and brushcutters and all ignition modules.

5 years for Commercial and Residential use.

1 year for Rental use.

All Maruyama engines and Kawasaki TK45/TK65 are covered exclusively for five years of industrial, commercial, institutional, and income producing use. These engines are warranted for one year of rental use.

This warranty will be in full effect provided the engine is operated for the initial 80 hour optimization period using Maruyama Premium 2-Cycle oil. After the optimization period the engine should always be run with either Maruyama Premium 2-Cycle oil or equivalent ISO-L-EGD & JASO FC 2-Cycle oil.

Any part of a Maruyama product found to be defective within the applicable warranty period shall, at Maruyama's option, be repaired or replaced without charge. Warranty consideration is obtained by delivering any Maruyama product believed to be defective to an Authorized Maruyama Servicing Dealer within the applicable warranty period.

The purchaser shall not be charged for diagnostic labor that leads to the determination that a warranted part is defective, if the diagnostic work is performed at a Maruyama Dealer.

Any warranted part which is not scheduled for replacement as required maintenance, or which is scheduled only for regular inspection to the effect of "repair or replace as necessary" shall be warranted for the warranty period. Any warranted part, which is scheduled for replacement as, required maintenance shall be warranted for the period of time up to the first scheduled replacement point for that part.

Maruyama Mfg. Co., Inc. is liable for damages to other engine components caused by the failure of a warranted part still under warranty.

The purchaser is responsible for the performance of the required maintenance, as defined by Maruyama Mfg. Co., Inc. in the Owner's/Operator's Manual.

EMISSION-RELATED PARTS WARRANTY: In addition to the above warranty coverage, Maruyama Mfg. Co., Inc. will repair or replace, free of charge, for the original purchaser and each subsequent purchaser any emission-related part or parts found to be defective in material and workmanship for two (2) years from original retail delivery date **except catalytic converter. Catalytic converter is warranted one year from original retail delivery date. Emission-related parts are the carburetor assembly, the ignition coil assembly, the ignition rotor, the spark plug, the catalytic converter and the fuel tank.** Any replacement part that is equivalent in performance and durability may be used in non-warranty maintenance or repairs, and shall not reduce the warranty obligations of Maruyama Mfg. Co., Inc.

This warranty does not cover the following:

1. Maintenance items (excluding defects in materials and workmanship) including hoses, spark plugs, starter rope, air and fuel filters, clutch shoes, vibration isolators, throttle cables and all cutting attachments, etc.
2. Extra expenses including shipping and handling, travel, payment for lost time or pay and for any inconvenience and storage.
3. Alterations or modifications including aftermarket parts not authorized by Maruyama U.S., Inc.
4. Wear, accident, abuse, neglect, misuse, negligence, improper fuels, lubricants, fuel mixtures (when applicable), or failure to operate or maintain the product in accordance with instructions approved by Maruyama, repair or replacement as provided under this warranty is the exclusive remedy of the consumer.

Maruyama shall not be liable for any incidental or consequential damages for breach of any express or implied warranty on these products except to the extent prohibited by applicable law. Any implied warranty of merchantability or fitness for a particular purpose on these products is limited in duration to the warranty period as defined in the limited warranty statement. Maruyama reserves the rights to change or improve the design of the product without notice and does not assume obligation to update previously manufactured products.

This warranty provides you with specific legal rights, which may vary from state to state.

It is the Owner's and Dealer's responsibility to make sure the Warranty Registration Card is properly filled out and mailed to Maruyama U.S., Inc. Proof of purchase and registration will be required in order to obtain warranty service.

To locate an Authorized Maruyama Servicing Dealer nearest you, contact:

Maruyama U.S., Inc.
4770 Mercantile Drive, suite100,
Fort Worth, TX 76137 U.S.A.
940-383-7400
maruyama@maruyama-us.com
www.maruyama-us.com

⚠ WARNING: ⚠

The engine exhaust from this product contains chemicals known to the State of California to cause cancer, birth defects or other reproductive harm.

MARUYAMA LIMITED WARRANTY CALIFORNIA AND FEDERAL EMISSIONS CONTROL SYSTEMS SMALL OFF-ROAD ENGINES

The California Air Resources Board, the Environmental Protection Agency (EPA), and Maruyama, U.S. (hereinafter "Maruyama") are pleased to explain the Emissions Control Systems Warranty on your Maruyama small off-road engine. In California and other states, new small off-road engines must be designed, built and equipped to meet stringent anti-smog standards. Maruyama must warrant the emissions control system on your small off-road engine for the period of time listed below provided there has been no abuse, neglect or improper maintenance of your small off-road engine. Your emissions control system may include parts such as the carburetor or fuel-injection system, the ignition system, and catalytic converter. Also included may be hoses, belts, connectors and other emissions related assemblies. Where a warrantable condition exists, Maruyama will repair your small off-road engine at no cost to you including diagnosis (if the diagnostic work is performed at a Maruyama small off-road engine dealer), parts and labor.

OWNERS WARRANTY RESPONSIBILITIES. The following obligations must be fulfilled by the owner to maintain the validity of the Maruyama California / EPA Emissions Systems Warranty:

- (a) As the small off-road engine owner, you are responsible for the performance of the required maintenance listed in your Owner's/Operator's Manual. Maruyama recommends that you retain all receipts covering maintenance on your small off-road engine, but Maruyama cannot deny warranty solely for the lack of receipts or for your failure to ensure the performance of all scheduled maintenance.
- (b) You are responsible for presenting your small off-road engine to an authorized Maruyama small off-road engine Dealer as soon as a problem exists. The warranty repairs should be completed in a reasonable amount of time, not to exceed 30 days.
- (c) As the small off-road engine owner, you should also be aware that Maruyama may deny you warranty coverage if your small off-road engine or a part has failed due to abuse, neglect, improper maintenance or unapproved modifications.
- (d) If you have any questions regarding your warranty rights and responsibilities, you should contact Maruyama, U.S., INC., 4770 Mercantile Drive, suite 100, Fort Worth, TX 76137 U.S.A. 940-383-7400.

1. COVERAGE. Maruyama warrants to the initial owner and each subsequent purchaser that the small off-road engine is free from defects in materials and workmanship which cause a failure of a warranted part for a period of two years. Maruyama is liable for damages to other engine components caused by the failure of a warranted part still under warranty. The 1995 and later small off-road engines are warranted for two years in California. In all other states, 1997 and later model year small off-road engines are warranted for two years. If any emissions-related part on your engine is defective, the part will be repaired or replaced by Maruyama. This warranty time period shall begin on the date the small off-road engine is delivered to the initial purchaser, or on the date the small off-road engine is first placed in service.

Warranty defects shall be remedied during customary business hours at any authorized Maruyama small off-road engine dealer located within the United States of America. Any manufacturer-approved replacement part may be used in the performance of any warranty maintenance or repairs on emissions-related parts, and must be provided without charge to the owner if the part is still under warranty. Any part or parts replaced under this warranty shall become the property of Maruyama.

The emissions related warranted parts are specifically defined by the California Air Resources Board's Emissions Warranty Parts List. (EPA's regulations do not include a parts list, but EPA considers emissions-related parts to include all parts listed here.) These warranted parts are: carburetor and internal parts, spark advance/retard system, cold start enrichment system, magneto or electronic ignition system, catalytic converter, intake manifold, exhaust manifold, air cleaner element, carbon canister, fuel tank, fuel tank cap, and spark plugs if failure occurs prior to the first required scheduled replacement, hoses, clamps, fittings, gaskets, sealing devices, mounting hardware and tubing used directly in these parts. Since emissions related parts may vary slightly from model to model, certain models may not contain all of these parts and certain models may contain functionally equivalent parts.

2. LIMITATIONS. This Emissions Control Systems Warranty shall not cover any of the following:

- (a) Repair or replacement required as a result of (i) misuse or neglect, (ii) lack of required maintenance, (iii) repairs improperly performed or replacements improperly installed, (iv) use of replacement parts or accessories not conforming to Maruyama specifications which adversely affect performance and/or durability, (v) alterations or modifications not recommended or approved in writing by Maruyama.
- (b) Replacement of parts and other services and adjustments necessary for required maintenance at and after the first scheduled replacement point.

CONTINUED

3. LIMITED LIABILITY.

- (a) The liability of Maruyama under this Emissions Control Systems Warranty is limited solely to the remedying of defects in materials or workmanship by any authorized Maruyama small off-road engine dealer at its place of business during customary business hours. This warranty does not cover inconvenience or loss of use of the small off-road engine or transportation of the small off-road engine to or from the Maruyama Dealer. MARUYAMA SHALL NOT BE LIABLE FOR ANY OTHER EXPENSE, LOSS OR DAMAGE, WHETHER DIRECT, INCIDENTAL, CONSEQUENTIAL (EXCEPTION LISTED UNDER COVERAGE) OR EXEMPLARY ARISING IN CONNECTION WITH THE SALE OR USE OF OR INABILITY TO USE THE MARUYAMA SMALL OFF-ROAD ENGINE FOR ANY PURPOSE.
- (b) NO EXPRESS EMISSIONS CONTROL SYSTEMS WARRANTY IS GIVEN BY MARUYAMA WITH RESPECT TO THE MARUYAMA SMALL OFF-ROAD ENGINE EXCEPT AS SPECIFICALLY SET FORTH HEREIN. ANY EMISSIONS CONTROL SYSTEMS WARRANTY IMPLIED BY LAW, INCLUDING ANY WARRANTY OF MERCHANTABILITY OR FITNESS FOR A PARTICULAR PURPOSE, IS EXPRESSLY LIMITED TO THE EMISSIONS CONTROL SYSTEMS WARRANTY TERMS SET FORTH HEREIN. THE FOREGOING STATEMENTS OF WARRANTY ARE EXCLUSIVE AND IN LIEU OF ALL OTHER REMEDIES.
- (c) No dealer is authorized to modify this Maruyama Limited Emissions Control Systems Warranty.
- (d) Maruyama is not liable for parts which are not genuine Maruyama parts except when genuine Maruyama parts cause damage to non-Maruyama parts.

4. LEGAL RIGHTS. THIS WARRANTY GIVES YOU SPECIFIC LEGAL RIGHTS, AND YOU MAY ALSO HAVE OTHER RIGHTS.

5. THIS WARRANTY IS IN ADDITION TO THE MARUYAMA LIMITED SMALL OFF-ROAD ENGINE WARRANTY.

Effective 1/1/2011



WARNING



1. Read and understand this Owner's/Operator's Manual before using this product. Be thoroughly familiar with the proper use of this product.
2. Do not allow children to operate this product. It is not a toy. Never allow adults to operate the unit without first reading the Owner's / Operator's Manual.
3. Become familiar with the controls and know how to stop the engine quickly.
4. Always use eye protection and hearing protection.
5. Keep the area of operation clear of all persons, particularly small children and pets.
6. Do not point the pipe in the direction of people or pets.
7. Do not operate a product when you are fatigued, sickness, intoxicated, and pregnant.
8. Do not operate a product without proper guards or other protective safety devices in place.
9. Dress properly; do not wear loose clothing or jewelry that can be caught in moving parts. Always wear substantial footwear, long pant, and long sleeved shirt.
10. Gasoline is highly flammable; handle it carefully.
 - A. Do not smoke while handling gasoline.
 - B. Use an approved fuel container for storing the gasoline/oil mixture.
 - C. Do not fill the fuel tank when the engine is hot or running
 - D. Fill the fuel tank outdoors and only up to one-half inch from the top of the tank. Do not fill the filler neck.
 - E. Wipe away any spilled gasoline before starting the engine.
11. Always be sure of your footing; keep a firm hold of the blower pipes, and walk, do not run while operating a mist duster.
12. Use the correct accessories. Do not use this product for any job except that for which it is intended.
13. Keep all fasteners tight and be sure this product is in safe working condition. Follow the maintenance instructions provided on page 10 - 11 of this manual.
14. Do not put hands or feet near or under the rotating parts. Keep clear at all times.
15. If this product should start to vibrate abnormally, stop the engine immediately and check for the cause. Vibration is generally a warning of trouble.
16. Avoid using this product near rocks, gravel, stones and similar matter in order to avoid dangerous flying debris.
17. Use this product only in daylight or good artificial light.
18. Do not allow bystanders in work area.
19. Do not operate in unventilated area.
20. To reduce the risk of injury associated with the inhalation of dust, use a face filter mask in dusty conditions.
21. To reduce the risk of injury associated with contacting rotating part, stop the engine before installing or removing attachments.
22. To reduce the risk of fire and burn injury:
 - Move at least 10ft (3m) away from the fueling point before starting engine.
 - Always store gasoline in approved container.

Operating techniques

- A. Operate power equipment only at reasonable hours - not early in the morning or late at night when people might be disturbed. Comply with times listed in local ordinances. Usual recommendations are 9:00 am. to 5:00 p.m., Monday through Saturday.
- B. To reduce noise levels, limit the number of pieces of equipment used at any one time.
- C. To reduce noise levels, operate mist dusters at the lowest possible throttle speed to do the job.
- D. Check your equipment before operation, especially the muffler, air intakes, and air filters.
- E. Use rakes and brooms to loosen debris before blowing.
- F. In dusty conditions, slightly dampen surfaces when water is available.
- G. Conserve water by using mist dusters instead of hoses for many lawn and garden applications, including areas such as gutters, screens, patios, grills, porches, and gardens.
- H. Watch out for children, pets, open windows, or freshly washed cars, and blow debris safely away.
- I. Use the full blower nozzle extension so the air stream can work close to the ground.
- J. After using this product and other equipment, CLEAN UP! Dispose of debris in trash receptacles.

SPECIFICATIONS

Models	MD830
Dimensions L x W x H	410 x 475 x 720 mm
Dry Weight	11.7 kg
Engine Type	Kawasaki/2-Stroke Air cooled TK65 for EPA
Displacement	64.7 cc
Ignition System	Electric
Carburetor	All position diaphragm
Chemical Tank Capacity	30 lit
Fuel Tank Capacity	2 lit
Fuel Mixture	50:1 Using MARUYAMA 50:1 2-cycle Engine Oil or any quality 2-cycle engine oil designed for use in air-cooled, high performance 2-cycle engines.
Attachments (Standard)	Flexible Pipe, Swivel Pipe Straight Pipe, Mist Pipe



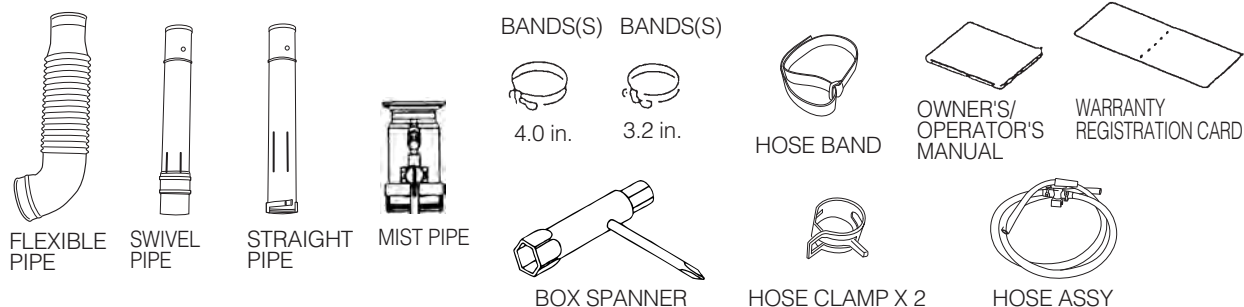
SERIAL NUMBER

At the Rated Operation (Engine Rotational Speed : 6350 mn-1)
 Vibration Value :3.87 m/s² (Shoulder Bearing Part)
 Noise emissions Sound power level, measured, dB(A) 108
 Sound power level, guaranteed, LWAG dB(A) 109
 Safety Inclination Degree is within 10°.

The MARUYAMA MIST DUSTER comes with an Owner's / Operator's Manual and a Warranty Registration Card. Assembly and attachment of the throttle lever bracket and blower pipes are required.

ASSEMBLY INSTRUCTIONS

STEP #1) Locate and identify all the components (see sketch).



STEP #2) Using the BANDS, connect the FLEXIBLE PIPE to the blower, and the SWIVEL PIPE to the flexible pipe (see sketch).

STEP #3) Assemble the STRAIGHT PIPE, BENT PIPE, and FAN-BLOW HEAD, then connect them to the swivel pipe (see sketch).

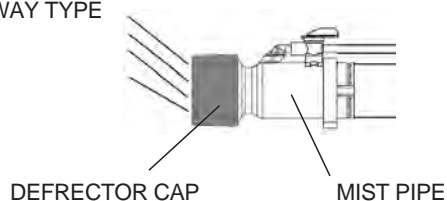
STEP #4) Slide handle over swivel pipe and tighten retainer knob. (see sketch).

STEP #5) Connect the Mist hose to the Mist cock and Mist pipe. (see sketch)

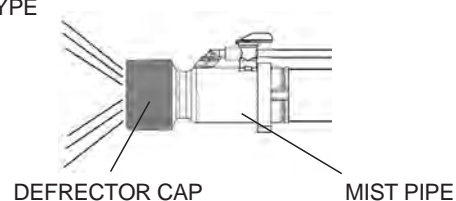
ACCESSORY PARTS

MIST DEFLECTOR CAP

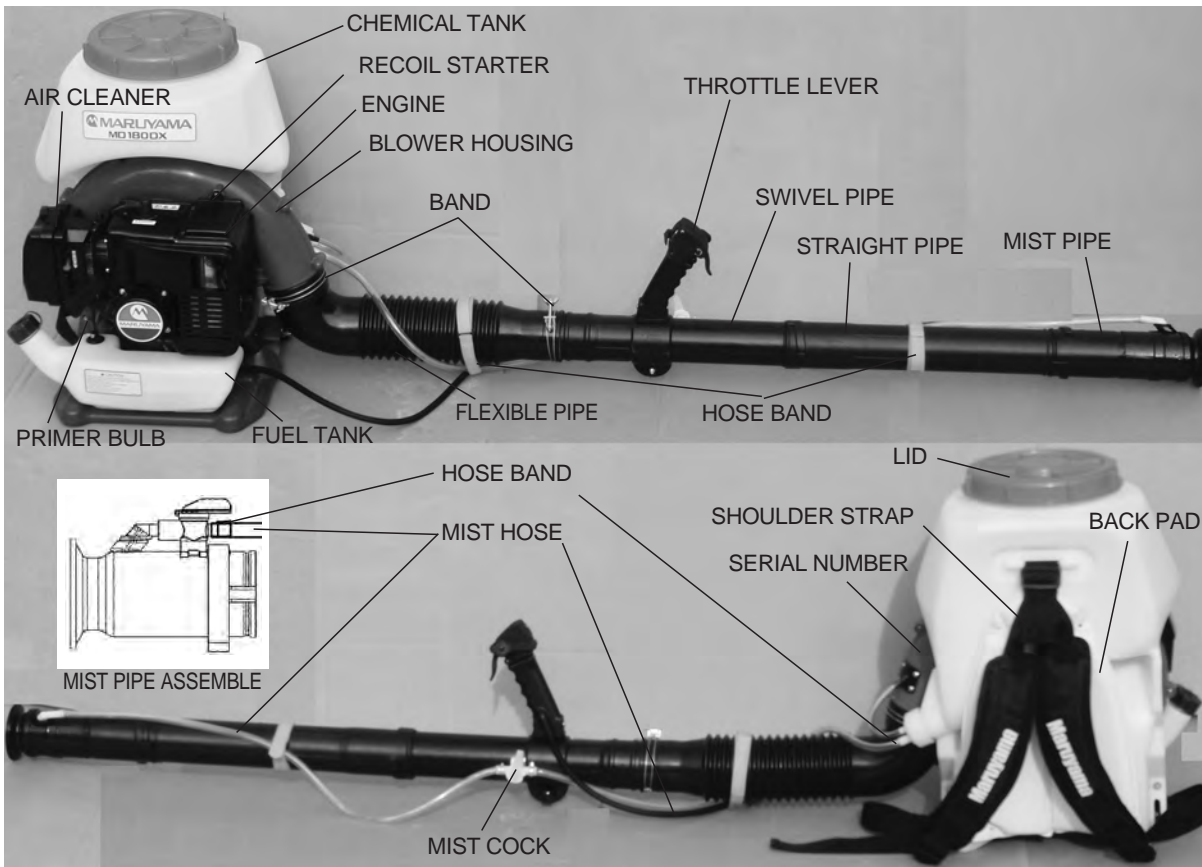
ONE WAY TYPE



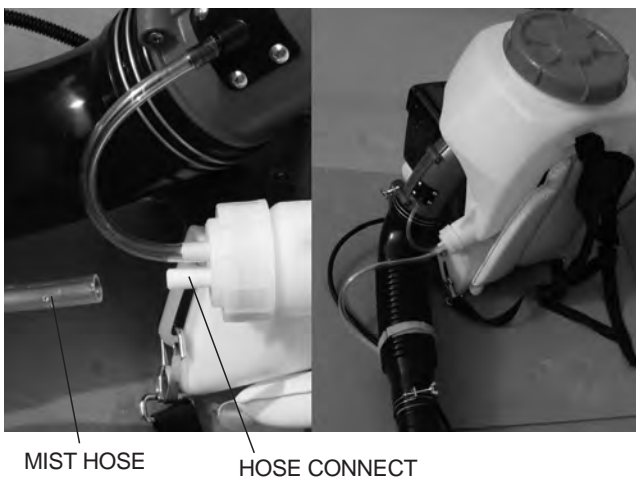
DUAL TYPE



NAME OF EACH PART



MIST COCK SETTING PROCEDURE



SET METAL FITTINGS OF "MIST COCK" IN THE "LEVER BAND".

BEFORE OPERATION

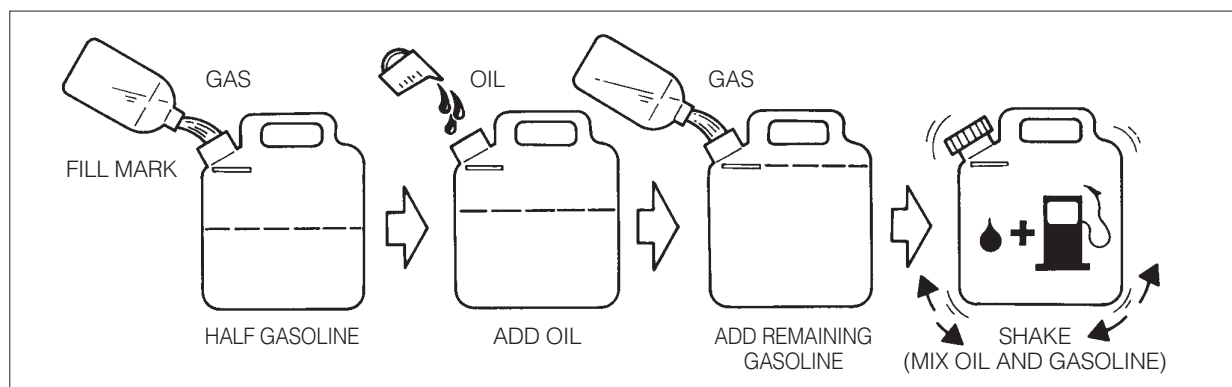
FUEL: MIXING GASOLINE AND OIL

CAUTION! The engine used on this product is of a 2-cycle design. The internal moving parts of the engine, i.e., crankshaft bearings, piston pin bearings and piston to cylinder wall contact surfaces, require oil mixed with the gasoline for lubrication. Failure to add oil to the gasoline or failure to mix oil with the gasoline at the appropriate ratio will cause major engine damage which will void your warranty. For your fuel premix, only use Maruyama 50:1 2-Cycle Oil or a quality oil designed for 2-cycle air-cooled engine.

FUEL MIXTURE: When using genuine Maruyama 50:1 2-Cycle Oil, or a quality oil designed for 2-cycle air-cooled engines, oil ratio is 50 parts gasoline to 1 part oil or 50:1.

CAUTION! If Maruyama brand oil is not used, never use a mixing ratio less than 50:1 regardless of the oil package mixing instructions. Ratios less the 50:1, reduce the amount of lubrication to the internal moving parts of the engine and can cause damage.

MIXING INSTRUCTIONS: Always mix fuel and oil in a clean container approved for gasoline. Mark the container to identify it as fuel mix for the product. Use regular unleaded gasoline and fill the container with half the required amount of gasoline. Pour the correct amount of oil into the container then add the remaining amount of gasoline. Close the container tightly and shake it



momentarily to evenly mix the oil and the gasoline before filling the fuel tank on the product. When refilling the fuel tank, clean around the fuel tank cap to prevent dirt and debris for entering the tank during cap removal. Always shake the premix fuel container momentarily before filling the fuel tank.

Always use a spout or funnel when fueling to reduce fuel spillage. Only fill the tank to within 1/2 inch from the top of the tank. Avoid filling to the top of the tank filler neck.

NOTE:

1. Do not mix gasoline and oil directly in the product fuel tank.

CAUTION!

1. Do not use National Marine Manufacturer's Association (NMMA) or BIA certified oils. This type or 2-cycle engine oil does not have the proper additives for air-cooled, 2-cycle engines and can cause engine damage.
2. Do not use automotive motor oil. This type of oil does not have the proper additives for air cooled, 2-cycled engines and can cause engine damage.

Be sure the mist duster is correctly assembled and all fasteners and fittings are properly secured.

THROTTLE LEVER

Before operating the mist duster, release the knob, knob the throttle grip to the position in the illustration, and tighten knob to secure in place.

When the mist duster is strapped to the back of the operator, the throttle lever of is located on the tube.

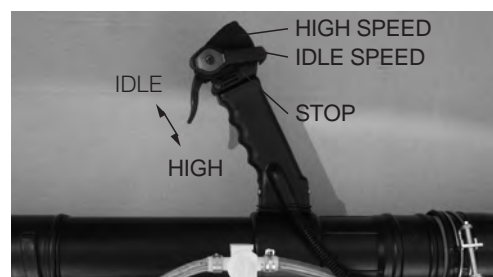


CAUTION!

2. Shutting Engine Off

Before shutting the engine off, allow it to idle for a short while.

- Never stop the engine by closing the choke.
- Never stop the engine during operation while running above idle speed.



3. Transporting and Storage

- Shut off the engine and allow it to cool before transporting or storing the unit.
- Do not put the unit on dry grass or near any flammable object unless the engine is cold or cooled down.

The lowest position of lever is "STOP" setting, and the highest position is the "FULL THROTTLE" setting.

Chemicals

*Read the labels of chemicals to be used carefully and understand the method of use and cautions. Use the chemicals directly after opening the package. Chemicals left for a long time after the package is open may cause poor discharging due to moisture absorption.

*Mistaking the discharge quantity re category of chemicals may cause damage.

*Do not leave the chemicals in the chemical tank for a long time. The machine might malfunction.

*Store chemicals in a safe place, and be careful not to break open their containers during transportation.

*Treat chemical containers to ensure safety.

*Dispose the used chemical or fertilizer bags in a manner that will not cause injury.

*Pay attention to the handling of chemicals and fertilizer. If a chemical enters into eye or mouth, wash it off with water immediately. If you feel ill, see a doctor immediately.

*According to wind direction, change the discharging method to protect workers and houses. When discharging chemicals, work from upwind to downwind. Also give consideration to prevent chemicals from drifting or scattering on crops, enclosures, fish-breeding ponds, and houses nearby.

*When preparing chemicals, prepare the necessary amount only in accordance with the established spraying plan. If too much chemicals are left over, action is difficult.

OPERATING INSTRUCTIONS

STARTING PROCEDURE

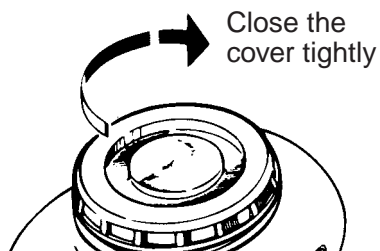


Step#1) Move the "Mist cock" to the closed position.

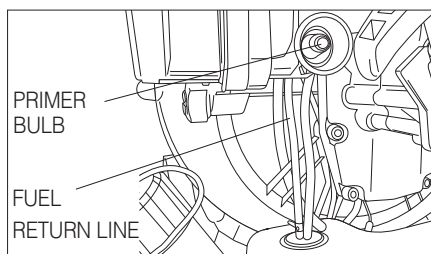


Do not spill
the liquid

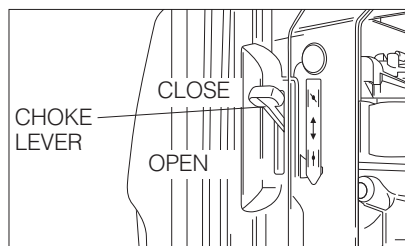
Step#2) Pour chemical into the chemical tank.



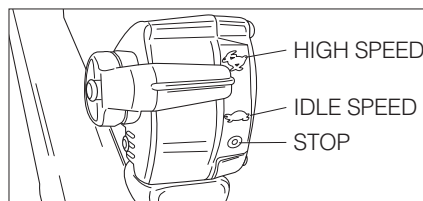
Step#3) Close the lib tightly.



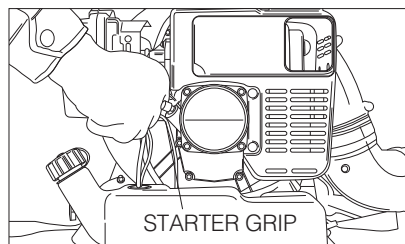
STEP #4) Pump the "PRIMER BULB" under of the carburetor until fuel can be seen flowing through the "FUEL-RETURN LINE".



STEP #5) Move the "CHOKE LEVER" fully upward to the closed position. If the engine is already warm, only a partial or open (no choke) choke setting may be required.

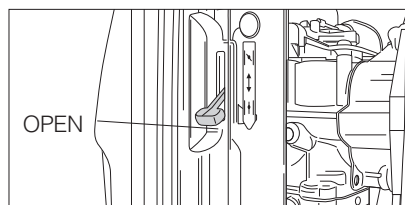


STEP #6) Set the throttle lever at 1/2 speed.



CAUTION! Pull the "STARTER GRIP" briskly to start the engine.

NOTE: Only short pulls are necessary. Never pull the starter cord to its fullest extension. Never let go of the starter grip until it is at the fully returned position.

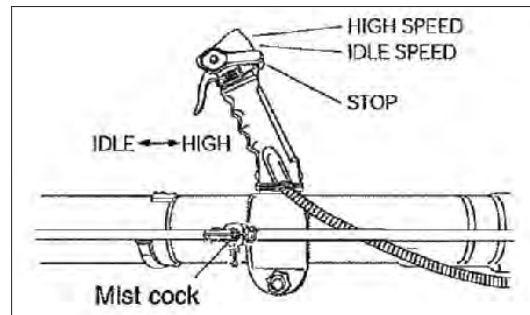


STEP #7) Warming up the engine. When the engine has started, slowly move the "CHOKE LEVER" fully upward to the open position. Allow the engine to "WARM-UP" at less than 1/2 speed.

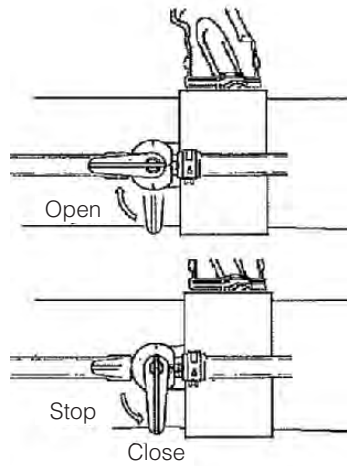
If a MARUYAMA engine fails to start after following the above procedures, contact an authorized MARUYAMA dealer.

OPERATION

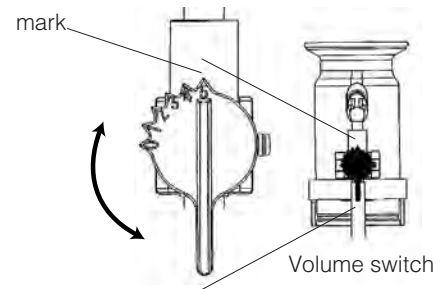
When the engine has warmed-up, the mist duster can be positioned on the back of the operator. When the mist duster is positioned and ready for operation, adjust the throttle to a speed required to accomplish the task.



1. Mist cock

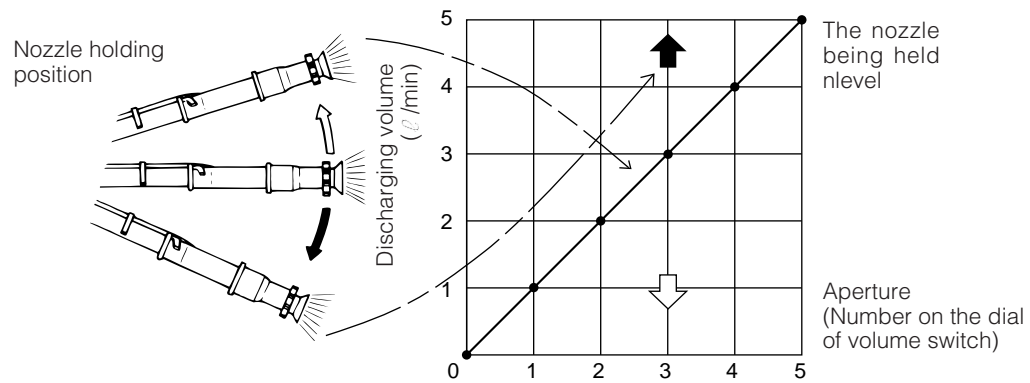


2. Adjustment of discharging volume



- Coincide the number on the dial of volume switch with the market.
- Discharging volume will increase accordingly as the number increases.

Discharging volume



CAUTION

- Avoid using too dense hydrate solution.

WARNING

- Never operate a mist duster when you are fatigued.
- Never operate a mist duster without proper guards or other protective safety devices in place.

WARNING

To prevent overheating and engine seizure, cooling air comes from the intake grille of the fan housing and is pushed by the blower fan through an opening in the fan housing over the cylinder fin area, taking away combustion heat. The grille and cylinder fins must be kept clean of grass, dust and any debris. Engine failure due to lack of this "Normal Maintenance" is not covered by warranty.

STOPPING THE ENGINE

Close the Mist cock, and stop spraying.

Always run the engine at idle speed for a few minutes to allow cooling before stopping. To stop the engine, move the throttle control lever all the way to the engine stop position.

CLEANING THE PRODUCTS

Remove Mist hose from Mist pipe, and discharge chemical from chemical tank.


After recovering the remnant chemical, clean the inside chemical tank using clean water.



Also wash the spray nozzle with clear water.

REGULAR MAINTENANCE

Before each use, the mist duster should be inspected for proper assembly and fitness of all components. All fasteners should be checked for correct tightness. Always inspect for fuel leaks.

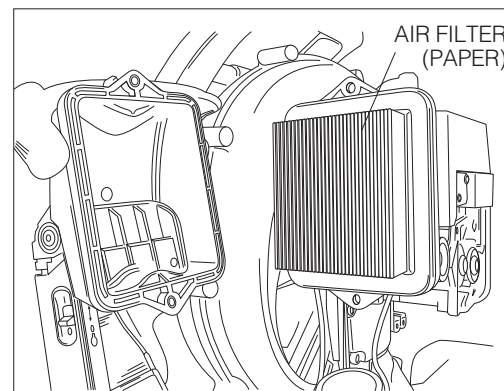
 **WARNING** Do not attempt to start or operate a mist duster that indicates a fuel leak.

AIR FILTER

The air filter should be inspected each time the mist duster is used (or more often with extreme conditions).

To inspect, remove the air filter cover and remove the filter from the case.

Clean air filter(s) by gently tapping element or cleaning with a suitable solvent the filter should be completely dry before using again.



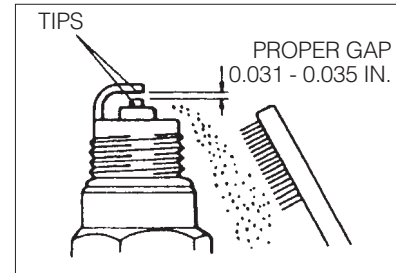
SPARK PLUG

The spark plug should be removed from the engine and checked after each fifty (50) hours of use. The tips can be cleaned with a stiff brush. Adjust the gap to 0.031 - 0.035 inches (see sketch).



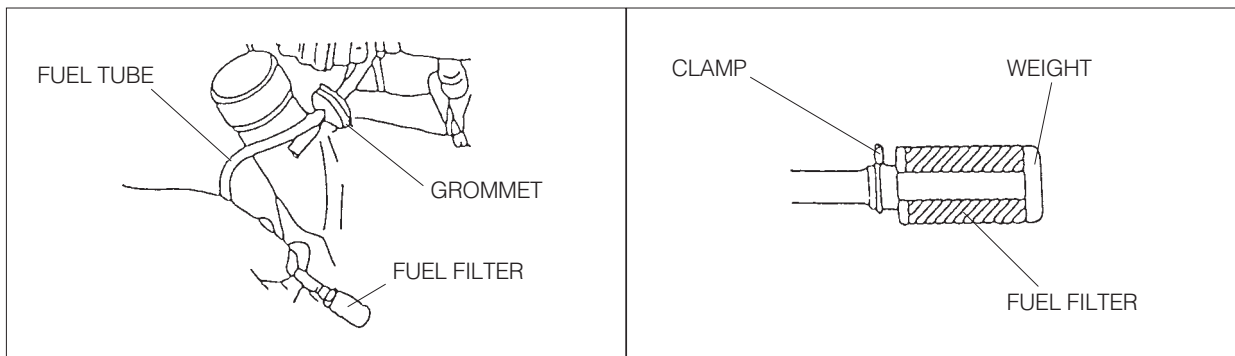
CAUTION!

Replace the spark plug if it is oil-fouled or damaged. The correct torque for the spark plug is 10 - 12 ft. lbs. Do not over-tighten.



FUEL FILTER

The fuel filter should be cleaned and inspected for damage after each twenty (20) hours of use. The fuel filter is attached to the fuel pick-up tube inside the fuel tank. Loosen the clamp and take out the fuel filter.

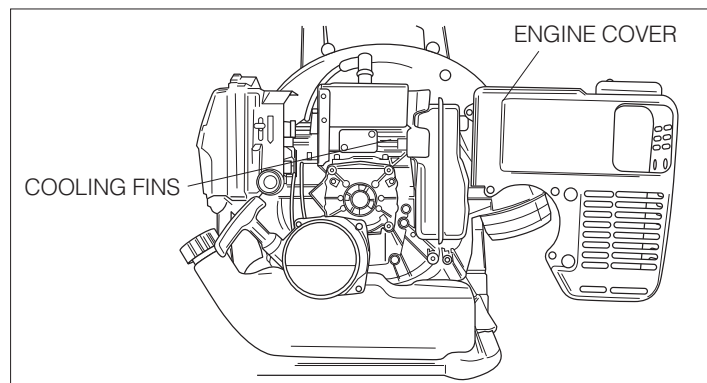


To clean the fuel filter, remove it from the fuel tube and wash it with safety solvent. Inspect and clean the fuel tank before re-installing the fuel filter.

Always replace a defective fuel filter.

COOLING FINS

Free passage of air flow through the cylinder cooling fins is required to prevent poor engine performance and shortened engine life. Regularly check and clean all debris from the cooling fins by removing the engine cover (see sketch).



MUFFLER AND EXHAUST PORTS

The muffler should be removed and serviced after each one fifty (50) hours of use. At the same time, the exhaust ports should be cleaned and inspected. An AUTHORIZED MARUYAMA DEALER should be contacted for this service.

GENERAL CLEANING AND TIGHTENING

The MARUYAMA mist duster will provide maximum performance for many hours, if it is maintained properly. Good maintenance includes regular checking of all fasteners for correct tightness, and cleaning the entire machine. Contact an authorized MARUYAMA dealer for additional maintenance suggestions.

STORAGE

For long-term storage of the mist duster, first perform all regular maintenance procedures and needed repairs. Empty the fuel tank. Disconnect the fuel supply line from the carburetor and depress the primer bulb until fuel stops discharging from the fuel-return line.

Start the engine and allow it to run until it stops. Pull the starter cord a few times to remove any excess fuel from the engine. Remove the spark plug and insert a small amount of oil into the cylinder. Slowly pull the starter cord and bring the piston to a position closest to the spark plug hole. Re-install the spark plug. Apply a thin coating of oil to all the metal surfaces and store the mist duster in a dry place.

EMISSION CONTROL INFORMATION

FUEL INFORMATION

THIS ENGINE IS CERTIFIED TO OPERATE ON UNLEADED REGULAR GRADE GASOLINE ONLY. A minimum of 87 octane of the antiknock index is recommended.

EMISSION CONTROL INFORMATION

To protect the environment in which we all live, Kawasaki has incorporated an exhaust emission control system.

EXHAUST EMISSION CONTROL SYSTEM (EM)

The system reduces the amount of pollutants discharged into the atmosphere by the exhaust of this engine. The fuel, ignition and exhaust systems of this engine have been carefully designed and constructed to ensure an efficient engine with low exhaust pollutant levels. The exhaust system of the engine includes a catalytic converter system.

MAINTENANCE AND WARRANTY

Proper maintenance is necessary to ensure that your engine will continue to have low emission levels. This Owner's/Operator's Manual contains those maintenance recommendations for your engine. Those items identified by the Periodic Maintenance Chart are necessary to ensure compliance with the applicable standards.

As the owner of the (Mist Duster, Blower, Trimmer, Hedge Trimmer), you have the responsibility to make sure that the recommended maintenance is carried out according to the instructions in this Owner's/Operator's Manual at your own expense.

The Maruyama Limited Emission Control System Warranty requires that you return your (Mist Duster, Blower, Trimmer, Hedge Trimmer) to an authorized Maruyama (Mist Duster, Blower, Trimmer, Hedge Trimmer) dealer for remedy under warranty. Please read the warranty carefully, and keep it valid by complying with the owner's obligations it contains.

TAMPERING WITH EMISSION CONTROL SYSTEM PROHIBITED

Federal law and California State law prohibit the following acts or the causing there of:

(1) the removal or rendering inoperative by any person other than for purposes of maintenance, repair, or replacement, of any device or element of design incorporated into any new engine for the purposes of emission control prior to its sale or delivery to the ultimate purchaser or while it is in use, or (2) the use of the engine after such device or element of design has been removed or rendered inoperative by any person.

Among those acts presumed to constitute tampering are acts listed below:

Do not tamper with the original emission related parts.

- Carburetor and internal parts
- Spark plug
- Magneto or electronic ignition system
- Fuel filter
- Muffler or any internal portion of the muffler
- Air cleaner element
- Fuel tank

FUEL RECOMMENDATIONS

FUEL

The Kawasaki TK series 2-stroke engines require a gasoline-oil mixture.

Use only clean, fresh, unleaded regular grade gasoline.

Octane Rating

The octane rating of a gasoline is a measure of its resistance to "knocking".

Use of a minimum of 87 octane of the antiknock index is recommended.

NOTE:

- If "knocking or pinging" occurs, use a different brand of gasoline or higher octane rating.

⚠ WARNING ⚠

Gasoline is extremely flammable and can be explosive under certain conditions. Turn the engine switch OFF. Do not smoke. Make sure the area is well ventilated and free from any source of flame or sparks : this includes any appliance with a pilot light.

2-STROKE ENGINE OIL MIXING

Gasoline is extremely flammable and can be explosive under certain conditions.

Turn the engine switch OFF. Do not smoke. Make sure the area is well ventilated and free from any source of flame or sparks : this includes any appliance with a pilot light.

NOTE:

- Do not mix gasoline and oil directly in the fuel tank.
- The lubricative quality of this mixture deteriorates rapidly.
- Do not use gasoline that has been stored longer than two months.
- To ensure proper starting at low ambient temperatures, fresh winter grade fuel must be used.

CAUTION: The engine is shipped without fuel.

ADJUSTMENT

IDLING SPEED ADJUSTMENT

1. Idle speed is the only available adjustment.
2. Do not tamper with the carburetor setting to increase the maximum engine speed.
3. If adjustment is needed, have it performed by your authorized MARUYAMA service dealer. Carburetor adjustments are made at the factory and are not adjustable without disassembling the carburetor.

MAINTENANCE

PERIODIC MAINTENANCE CHART

WARNING

Always remove the spark plug cap from spark plug when servicing the engine to prevent accidental starting.

MAINTENANCE	Interval				
	Daily	First 20 hours	Every 20 hours	Every 50 hours	Every 100 hours
Check and replenish fuel	●				
Check for fuel leakage	●				
Check bolts, nuts and screws for looseness and loss	●				
Clean fuel filter			●		
★ Clean air filter element			●		
Tighten bolts and nuts		●		●	
Clean spark plug and adjust electrode gap				●	
★ Remove dust and dirt from cylinder fins				●	
M Remove carbon deposits on piston head and inside cylinder				●	
M Remove carbon deposits in the exhaust pipe of muffler				●	
M Clean net of spark arrester (if equipped)				●	
M Check the sliding portion of crankshaft, connecting rod etc.					●
Fuel tube	It is recommended to replace every 3 years.				

Note: The service intervals indicated are to be used as a guide. Service to be performed more frequently as necessary by operating condition.

M: Service to be performed by an authorized Maruyama engine dealer.

★: Service more frequently under dusty conditions.

INDICE

Prefacio	18	Nombres de las partes	22
Iconos de Seguridad	18	Instrucciones de Operación	25
Garantía	19	Mantenimiento Corriente	27
Instrucciones de Seguridad	20	Almacenamiento	29
Especificaciones	21	Información Sobre Control de Emisiones	29
Instrucciones de Armado	21		

PREFACIO

Este Manual del Propietario u Operador está diseñado para familiarizar al operador con las diversas características y piezas componentes del equipo, y también para ayudarlo con el armado, la operación y el mantenimiento de su nueva sopladora de cargar a la espalda.

Es esencial que todo operador de este producto, Sopladora de Espalda, lea y entienda el contenido de este manual antes de usar la Sopladora de Espalda.

Las instrucciones importantes sobre seguridad se identificarán mediante el siguiente icono:



El no observar las instrucciones de este manual, puede producir lesiones graves o incluso la muerte.

Para asistencia adicional, póngase en contacto con cualquier distribuidor local autorizado de Maruyama o con Maruyama U.S., Inc. 4770 Mercantile Drive, suite100, Fort Worth, TX 76137 U.S.A.

Teléfono: 940-383-7400

Página de Internet: www.maruyama-us.com

SIMBOLOS DE SEGURIDAD DEL MANUAL

En este manual y en el producto mismo, usted encontrará alertas de seguridad y útiles mensajes informativos precedidos por iconos o palabras claves. A continuación una explicación de esos iconos y de las palabras claves y de lo que significan para usted.



Este icono, acompañado de las palabras ADVERTENCIA y PELIGRO llama su atención hacia un acto o una condición que puede conducir a que el operador o quienes están cerca, sufran lesiones graves.

Etiqueta de advertencia

- Limpie la suciedad o el barro de la unidad para que las indicaciones siempre estén legibles.
- Encontrará las siguientes etiquetas de alarma fijadas en la unidad.

Etiquetas de alarma



Lea detenidamente el Manual del Propietario u Operador.
Asegúrese de haber leído completamente el Manual del Propietario u Operador antes de operar la unidad.



Prevención de incendios.
Nunca maneje combustible o haga mantenimiento de la unidad cerca de un fuego abierto.



Precauciones con las piezas calientes.
El silenciador del motor, las aletas de cilindro, y otras piezas de la unidad funcionan a altas temperaturas. No las toque.



Use elementos de protección.
Use en el trabajo elementos de protección tales como: casco, gafas de seguridad, tapones para los oídos, etc.,



Precauciones con el gas de escape.
Tenga cuidado de no respirar el gas de escape del motor de la unidad.



Declaración de Garantía Limitada

Todos los productos Maruyama están garantizados al comprador original como libres de defectos en materiales y mano de obra **desde la fecha de compra** y por los períodos de tiempo que se relacionan a continuación:

De por vida para los ejes de propulsión interiores en cortadores de maleza y todos los módulos de encendido.

5 años para uso comercial y residencial.

1 año para uso de alquiler.

Todos los motores Maruyama y Kawasaki TK45/TK65 están cubiertos exclusivamente por 5 años de uso industrial, comercial, institucional y de producción de ingresos. Estos motores son garantizados por un año de uso de alquiler.

Esta garantía estará en pleno efecto considerando que el motor sea operado por el periodo de optimización de 80 horas usando aceite de 2 tiempos Premium de Maruyama. Después del periodo de optimización, el motor siempre debe ser operado con aceite de 2 tiempos Premium de Maruyama o equivalente a aceite de 2 tiempos ISO-L-EGD y JASO FC 2.

Al comprador no se le cobrará la mano de obra de diagnóstico que conduzca a la determinación del defecto de una parte garantizada, si el trabajo de diagnóstico lo realiza un distribuidor Maruyama.

Cualquier parte garantizada que no esté programada para reemplazo como mantenimiento requerido, o que esté programada únicamente para inspección regular con el propósito de "reparar y reemplazar según sea necesario" se garantizará durante el periodo de garantía. Cualquier parte garantizada que esté programada para reemplazo como mantenimiento requerido, se garantizará por el periodo de tiempo hasta el primer reemplazo programado para esa parte. Maruyama Mfg. Co. Inc. es responsable por los daños a otros componentes, causados por la falla de una parte garantizada, todavía bajo garantía.

El comprador es responsable de cumplir con el mantenimiento requerido, según lo define Maruyama Mfg. Co., Inc. en el Manual del Propietario u Operador.

GARANTIA DE LAS PARTES RELACIONADAS CON EMISION GASES DE ESCAPE : Además del cubrimiento de la garantía anterior, Maruyama Mfg. Co., Inc. reparará o reemplazará, sin costo alguno para el comprador original y cada comprador subsiguiente, cualquier parte o partes relacionadas con emisión de gases de escape, que se encuentren defectuosas en material o mano de obra, durante dos (2) años a partir de la fecha de la entrega original al detal. **Las partes relacionadas con la emisión son el conjunto del carburador, el conjunto de la bobina de ignición, el rotor de ignición, la bujía, el convertidor catalítico y el estanque de combustible.** Se puede usar cualquier repuesto equivalente en desempeño y durabilidad, en reparaciones o mantenimientos no de garantía y ello no reducirá las obligaciones de garantía de Maruyama Mfg. Co., Inc.

Esta garantía no cubre lo siguiente :

1. Artículos de mantenimiento (excluyendo defectos en materiales y mano de obra) incluyendo mangueras, bujías, cuerda de arranque, filtros de aire y gasolina, zapatas de embrague, aisladores de vibración, cables del regulador y todos los aditamentos de corte, etc.
2. Gastos adicionales incluyendo despacho y manejo, transporte, pago por lucro cesante o falta de ingresos o por cualquier inconveniencia y almacenamiento.
3. Alteraciones o modificaciones incluyendo partes pos mercadeo no autorizadas por Maruyama U.S., Inc.
4. Desgaste, accidente, abuso, descuido, mal uso, negligencia, combustibles, lubricantes, mezclas de combustible inadecuados (cuando se aplique), o falla en la operación o mantenimiento del producto de acuerdo con las instrucciones aprobadas por Maruyama.

La reparación o reemplazo según se dispone bajo esta garantía, es el remedio exclusivo del consumidor. Maruyama no será responsable por ningún daño incidental o consecuencial por violación de cualquier garantía explícita o implícita en estos productos, excepto en la medida prohibida por la ley. Toda garantía implícita de comerciabilidad o adecuación para un propósito particular, sobre estos productos está limitada a la duración de los períodos de garantía, según se definen en la declaración de garantía limitada. Maruyama se reserva el derecho de cambiar o mejorar el diseño del producto sin aviso y no asume la obligación de actualizar los productos fabricados con anterioridad. Esta garantía otorga a usted derechos legales específicos, que pueden variar de un estado a otro. Es responsabilidad del Propietario y del Concesionario, asegurarse de que la Tarjeta de Registro de Garantía sea adecuadamente llenada y despachada por correo a Maruyama U.S., Inc. Con el objeto de obtener servicio de garantía, se requerirá prueba de la compra y del registro. Para encontrar un Centro de Servicio Autorizado Maruyama, contacte Maruyama U.S., Inc. al 1-940-383-7400

Maruyama U.S., Inc.
4770 Mercantile Drive, suite100,
Fort Worth, TX 76137 U.S.A.



ADVERTENCIA



1. Antes de usar el soplador, lea cuidadosamente y entienda a cabalidad este Manual del Propietario u Operador. Familiarícese a fondo con el uso adecuado del soplador.
2. Nunca permita que los niños utilicen este soplador. No es un juguete. Nunca permita que los adultos utilicen el aparato sin haber leído antes el Manual del Propietario u Operador.
3. Familiarícese con los controles y aprenda cómo apagar el motor rápidamente.
4. Use siempre la protección para los ojos y la protección para los oídos.
5. Mantenga el área de funcionamiento libre de personas, particularmente de niños pequeños y de mascotas.
6. No dirija la boquilla del soplador hacia personas o mascotas.
7. Nunca utilice un soplador si usted está fatigado.
8. Nunca utilice un soplador sin tener puestas o en su lugar, las protecciones adecuadas y los demás dispositivos de seguridad.
9. Vístase adecuadamente; no use prendas de vestir muy amplias, ni joyas que puedan quedar atrapadas en las piezas móviles. Siempre use calzado firme, pantalones largos, y camisa de manga larga.
10. La gasolina es altamente inflamable, manéjela cuidadosamente.
 - A. No fume mientras maneja gasolina.
 - B. Use un recipiente aprobado para combustibles, para almacenar la mezcla de gasolina y aceite.
 - C. No llene el depósito de combustible cuando el motor está caliente o en marcha.
 - D. Llene el depósito de combustible estando en el exterior y únicamente hasta media pulgada antes del borde superior del depósito. No llene el cuello de llenado.
 - E. Antes de poner el motor en marcha, limpie la gasolina que se haya derramado.
11. Siempre asegúrese de estar bien calzado; sostenga con firmeza los tubos del soplador, y camine, nunca corra, cuando utilice un soplador.
12. Use los accesorios correctos. No use el soplador para realizar una labor diferente de aquellas para las cuales se ha fabricado el soplador.
13. Mantenga apretados todos los sujetadores y asegúrese de que el soplador esté en condiciones seguras de funcionamiento. Observe las instrucciones de mantenimiento que se suministran en las páginas 13 – 15 de este manual.
14. No ponga las manos ni los pies cerca ni debajo de las piezas giratorias. Manténgase fuera de su alcance en todo momento.
15. Si el soplador empezara a vibrar en forma anormal, detenga el motor inmediatamente y revise la unidad para descubrir la causa. Generalmente la vibración es la señal de un problema.
16. Evite el uso del soplador cerca de rocas, gravilla, piedras y material similar, con el objeto de evitar el peligro de desechos lanzados.
17. Use el soplador únicamente a la luz del día o bajo una buena luz artificial.
18. No permita la presencia de personas en el área de trabajo.
19. No utilice sin tener puestas las debidas protecciones.
20. No utilice en un área sin ventilación.
21. Para reducir el riesgo de lesiones asociadas con la inhalación de polvo, bajo condiciones polvorientas use máscara con filtro facial.
22. Para reducir el riesgo de lesiones, asociadas con contactos con piezas giratorias, detenga el motor antes de instalar o de remover accesorios.
23. Para reducir el riesgo de incendio y quemaduras:
 - Antes de dar arranque al motor, aléjese por lo menos 3 metros del punto de abastecimiento de combustible.
 - Siempre almacene la gasolina en un recipiente aprobado.

Técnicas de uso

- A. Únicamente utilice el equipo en horas razonables – ni temprano en la mañana ni tarde en la noche, cuando puede molestar a los demás. Cumpla los horarios que aparecen en las ordenanzas locales. Las recomendaciones usuales son de 9:00 de la mañana a las 5:00 de la tarde, de lunes a sábado.
- B. Para reducir los niveles de ruido, limite el número de piezas de equipo usadas al mismo tiempo.
- C. Para reducir los niveles de ruido, utilice los sopladores a la más baja velocidad posible para realizar el trabajo.
- D. Revise su equipo antes de utilizarlo, especialmente el silenciador de ruido, las entradas de aire y los filtros de aire.
- E. Use rastrillos y escobas para aflojar los desechos antes de soplar.
- F. Bajo condiciones polvorientas, humedezca levemente las superficies o use el accesorio de rocío de neblina cuando haya agua disponible.
- G. Conserve el agua usando las sopladoras en lugar de mangueras y agua lanzada en muchas aplicaciones de limpieza de césped y jardín, incluyendo áreas tales como cunetas, rejillas, patios, parrillas, porches y jardines.
- H. Tenga cuidado con los niños, mascotas, ventanas abiertas, o carros recién lavados, y sople los desechos fijándose que se alejen sin presentar peligro.
- I. Use toda la extensión de la boquilla del soplador de manera que la corriente de aire pueda trabajar cerca del suelo.
- J. Después de usar los sopladores y demás equipos, ¡LIMPIELOS! Bote los desechos en receptáculos para la basura.

ESPECIFICAÇÕES

Modelos	MD830
Dimensiones Pr. x An. x Al.	410 x 475 x 720 mm
Peso en seco	11,7 kg
Tipo de motor	Kawasaki/2-Tiempos Enfriado al aire TK65 para EPA
Cilindrada	64,7 cc
Sistema de ignición	Eléctrico
Carburador	Diafragma para todas posiciones
	30 lit
Capacidad del depósito de combustible	2,1 galones (2,0 litros)
Mezcla de combustible	50:1 Utilizando aceite de motor de 2 ciclos 50:1 de Maruyama o cualquier otro aceite de motor de 2 ciclos diseñado para uso en motores de 2 ciclos de alto rendimiento, enfriados a aire.
Accesorios (Estándar)	TUBO FLEXIBLE, TUBO ORIENTABLE, TUBO RECTO, TUBO NEBULIZADOR



NUMERO DE SERIE

Bajo funcionamiento nominal (Velocidad rotacional del motor: 6350 mn-1)

Valor de vibración: 3,87 m/s² (Parte del soporte de hombro)

Emisiones de ruido

Nivel de potencia sonora, medido, dB(A) 108

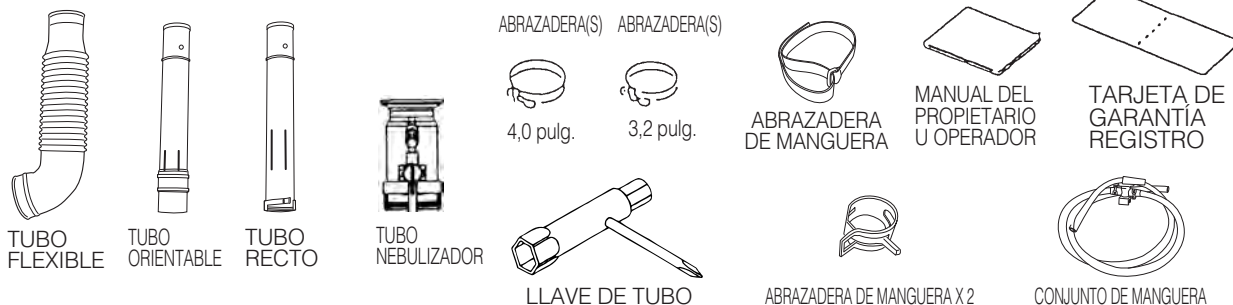
Nivel de potencia sonora, garantizado, LWAG dB(A) 109

*El grado de inclinación de seguridad está dentro de 10°

El ATOMIZADOR MARUYAMA viene con un Manual del Propietario u Operador y una Tarjeta de Registro de Garantía. Se debe montar e instalar la ménsula de la palanca de aceleración y tubos sopladores.

INSTRUCCIONES DE MONTAJE

PASO 1) Localice e identifique todos los componentes (vea la figura).



PASO 2) Utilizando las ABRAZADERAS, conecte el TUBO FLEXIBLE al soplador y, a continuación, el TUBO ORIENTABLE al tubo flexible (vea la figura).

PASO 3) Monte el TUBO RECTO, TUBO CURVADO y CABEZAL DEL VENTILADOR CENTRÍFUGO y, a continuación, conéctelos al tubo orientable (vea la figura).

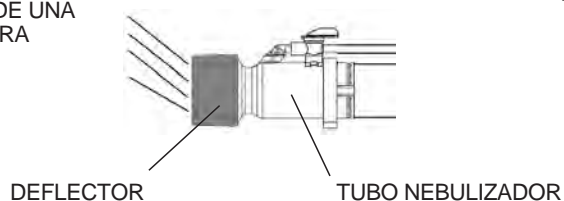
PASO 4) Deslice la palanca sobre el tubo orientable y apriete el botón de retención. (vea la figura)

PASO 5) Conecte la manguera nebulizadora al grifo nebulizador y al tubo nebulizador. (vea la

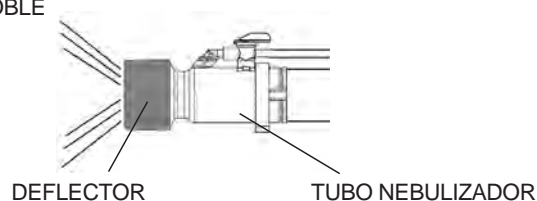
ACCESORIOS PARTES

MIST DEFLECTOR PAC

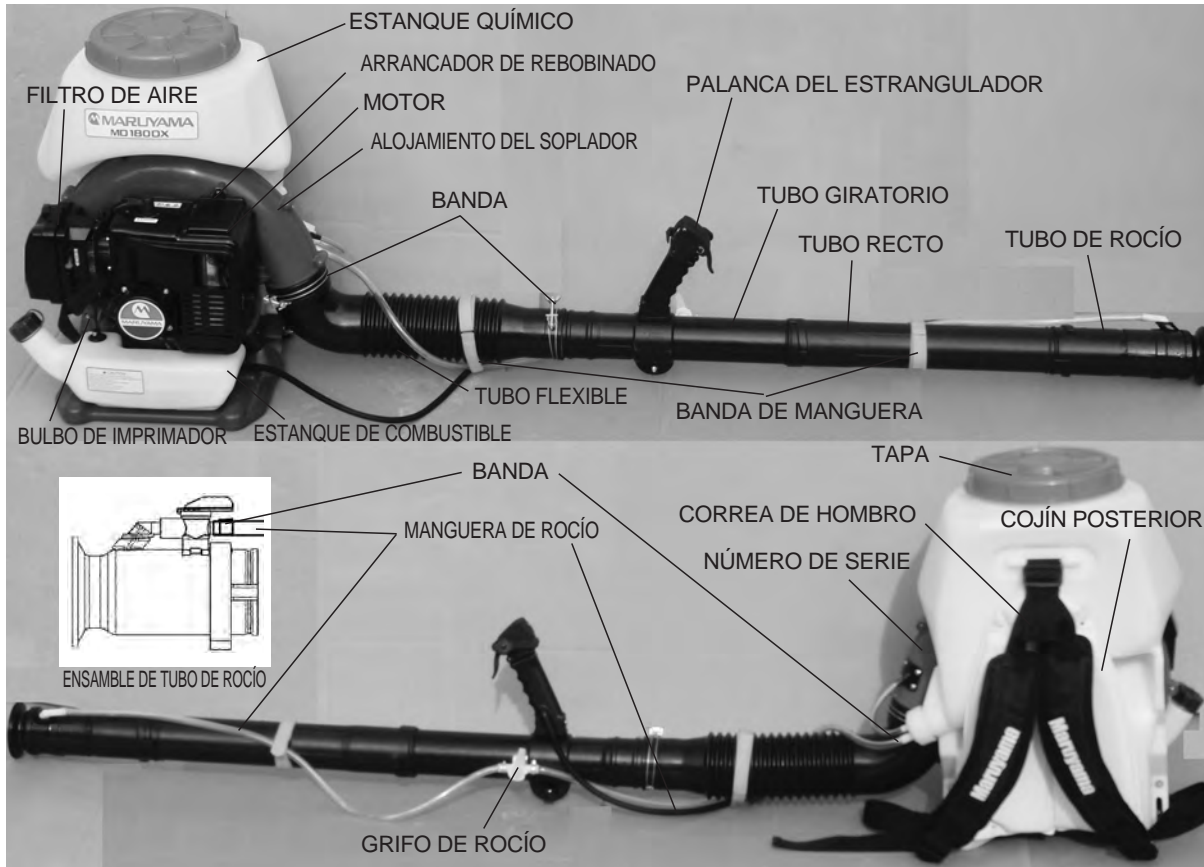
TIPO DE UNA MANERA



TIPO DOBLE



NOMBRES DE LAS PARTES



PROCEDIMIENTO DE AJUSTE DEL GRIFO DE ROCÍO



MANGUERA DE ROCÍO CONEXIÓN DE MANGUERA



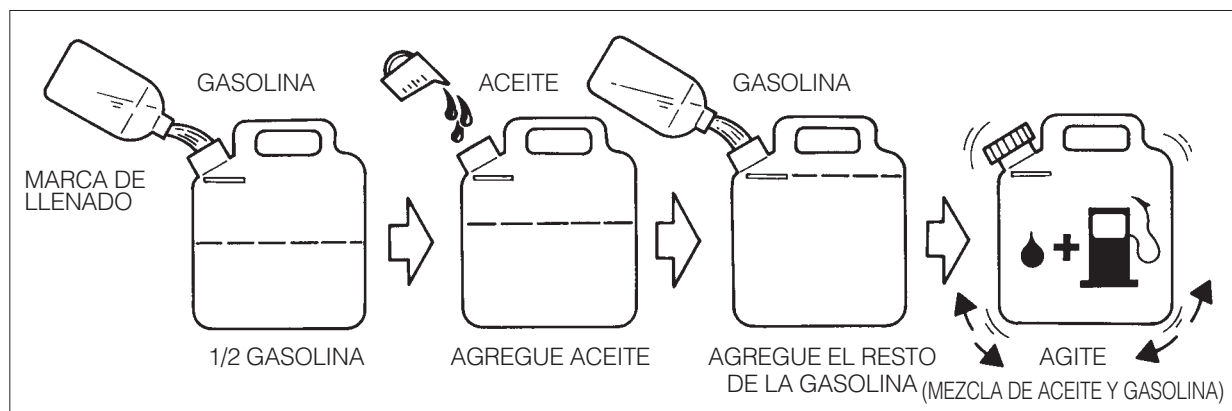
AJUSTE LOS ACCESORIOS METÁLICOS DEL "GRIFO DE ROCÍO" EN LA "BANDA DE PALANCA"

COMBUSTIBLE: MEZCLA DE GASOLINA Y ACEITE

PRECAUCION! Si no usa aceite marca Maruyama, nunca use una proporción de mezcla menor de 50:1, sin importar las instrucciones de mezcla del empaque del aceite. Las proporciones menores de 50:1 (por ejemplo, 60:1, 80:1, 100:1), reducen la cantidad de lubricación de las piezas internas móviles del motor y pueden causar daños.

Gasolina	Aceite 50:1 para 2 Ciclos
1 galón (3,78 litros)	2.6 onzas (76 ml)
2-1/2 galones (9,46 litros)	6.4 onzas (189 ml)
5 galones (18,9 litros)	12.8 onzas (378 ml)

INSTRUCCIONES DE MEZCLA: Siempre mezcle el combustible y el aceite en un recipiente limpio, aprobado para gasolina. Marque el recipiente para identificarlo como mezcla de combustible para Sopladora de Espalda. Usando gasolina regular sin plomo, llene el recipiente con la mitad de la cantidad de gasolina que se requiere. Agregue la cantidad correcta de aceite al recipiente, luego agregue la cantidad restante de gasolina. Cierre el recipiente y agítelo momentáneamente para mezclar bien el aceite y la gasolina antes de llenar el tanque de la Sopladora de Espalda.



Cuando llene de nuevo el tanque de combustible, limpie alrededor de la tapa del tanque para evitar que mugre y desechos entren al tanque cuando está destapado. Siempre agite momentáneamente el recipiente con la premezcla de combustible, antes de llenar el tanque.

Use siempre una boquilla o embudo cuando reabastezca el combustible, para reducir las salpicaduras. Llene el tanque sólo hasta que falte 1/2 pulgada (6 – 12 mm) para llegar al borde. No llene hasta el final del cuello del tanque.

NOTA:

1. Nunca mezcle gasolina y aceite directamente en el el tanque de la sopladora de espalda.

¡CUIDADO!

1. No use aceites certificados por la Asociación Nacional de Fabricantes Marinos (NMMA) o BIA. Estos tipos de aceites para motores de dos ciclos no tienen los aditivos adecuados para motores de dos ciclos, enfriados por aire y pueden causar daño en el motor.
2. No use aceite motor para automóviles. Este tipo de aceite no tiene los aditivos adecuados para motores de dos ciclos, enfriados por aire y puede causar daño al motor.

Asegúrese de que el soplador esté correctamente armado y de que todos los sujetadores y acoples estén bien asegurados.

PALANCA DE ACELERACIÓN

Antes de utilizar el soplador, suelte la perilla, haga girar el brazo del acelerador hasta la posición que se muestra en la ilustración, y apriete la perilla.



¡PRECAUCIÓN!

1. Apagado del motor

Antes de apagar el motor, póngalo en marcha al vacío por un corto tiempo.

- Nunca apague el motor cerrando el regulador de aire.
- Nunca apague el motor mientras esté operando a velocidad mayor de la de marcha al vacío.



2. Transporte y almacenamiento

- Apague el motor y déjelo enfriar antes de transportar o guardar la unidad.
- No coloque la unidad sobre grama seca o cerca de cualquier material inflamable antes de que el motor se haya enfriado.

La posición más baja de la palanca de aceleración es la graduación de "MARCHA EN VACIO", y la posición más alta es la graduación de "ACELERACIÓN COMPLETA".

Sustancias químicas

*Lea cuidadosamente las etiquetas de los productos químicos que va a utilizar, y entienda bien el modo de utilización y las precauciones a tomar. Pulverizar por tanque (1000 m²) o equivocarse de sustancia química puede causar daños.

*Almacene los productos químicos en un lugar seguro, y evite que los contenedores se abran durante el transporte de los mismos.

*Trate los contenedores o depósitos de manera que garantice seguridad.

*Preste atención a la manipulación de productos químicos. Si algún producto químico le salpica en ojos o boca, aplique agua inmediatamente.

*Si se encuentra mal, visite un médico de inmediato.

*Cambie el método de pulverización según la dirección del viento, con el fin de proteger a otros trabajadores y viviendas de los alrededores. Cuando pulverice productos químicos, colóquese de espaldas al viento. Asimismo, evite que las sustancias químicas se esparzan a cosechas, cercados, estanques y casas cercanas.

*Cuando pulverice en un invernadero, tenga en cuenta la ventilación del lugar.

*Al preparar las sustancias químicas, prepare únicamente la cantidad necesaria que vaya a utilizar de acuerdo con el plan de pulverización establecido. El exceso de producto químico dificulta la acción.

*No pulverice el disolvente. Éste puede causar el fallo de algunas piezas. En caso de que haya utilizado disolvente en este aparato, limpie a fondo el pulverizador con abundante agua.

INSTRUCCIONES DE OPERACIÓN

PROCEDIMIENTO DE ARRANQUE

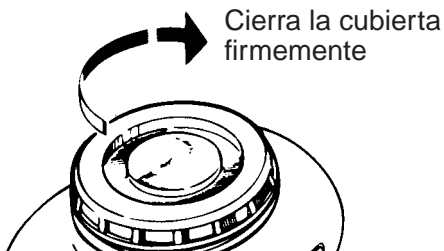


PASO 1) Desplace el "Grifo nebulizador" a la posición de cierre.



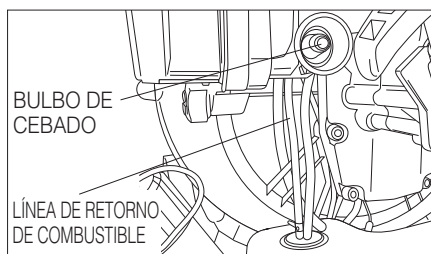
No derrame el líquido

PASO 2) Vierta el producto químico en el depósito de producto químico.

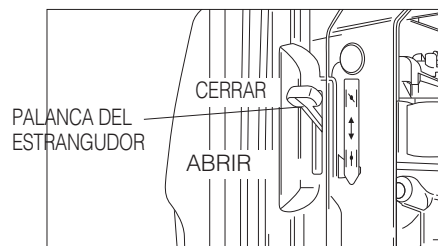


Cierra la cubierta firmemente

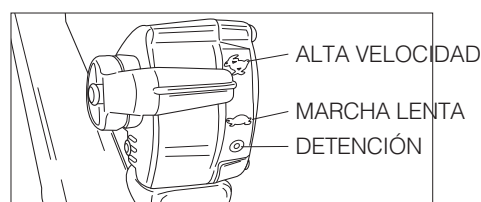
PASO 3) Cierra la tapa firmemente.



PASO 4) Bombee el "BULBO DE CEBADO" por debajo del carburador hasta que se pueda ver el flujo de combustible a través de la "LÍNEA DE RETORNO DE COMBUSTIBLE".



PASO 5) Desplace la "PALANCA DEL ESTRANGUDOR" completamente hacia la posición de cierre. Si el motor ya está calentado, sólo se requiere un ajuste parcial o abierto del estrangulador (sin estrangulación).

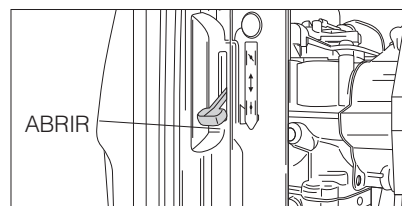


PASO 6) Ajuste la palanca del acelerador a 1/2 velocidad.



¡PRECAUCIÓN! Tire vigorosamente del "ASIDERO DEL ARRANCADOR" para arrancar el motor.

NOTA: Sólo se requieren tirajes cortos. No tire nunca del cable del arrancador hasta toda su extensión. No suelte nunca el asidero del arrancador hasta que esté completamente en su posición de retorno.

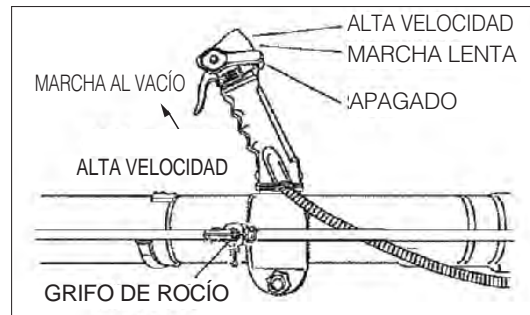


PASO 7) Calentamiento del motor. Una vez que arranque el motor, desplace lentamente la "PALANCA DEL ESTRANGUDOR" completamente hacia la posición de abertura. Permita que el motor "SE CALIENTE" a menos que 1/2 velocidad.

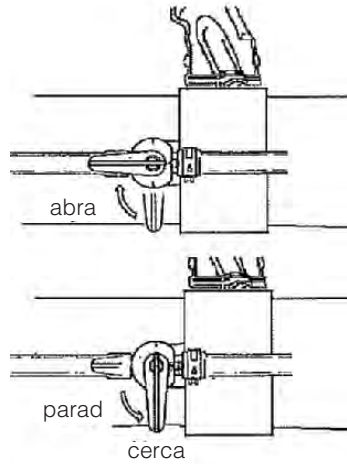
Si un motor MARUYAMA no arranca después de seguir los procedimientos precedentes, póngase en contacto con un distribuidor MARUYAMA autorizado.

OPERACIÓN

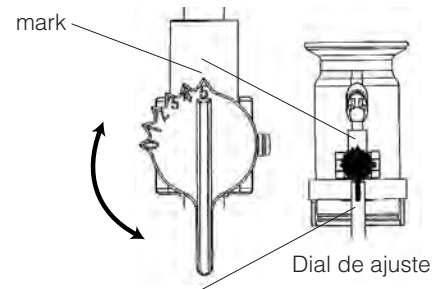
Una vez que el motor esté calentado, se puede posicionar el atomizador en la espalda del operador. Cuando el atomizador está posicionado y listo para funcionamiento, ajuste el acelerador a la velocidad necesaria para cumplir la tarea deseada.



1. Grifo de Rocío

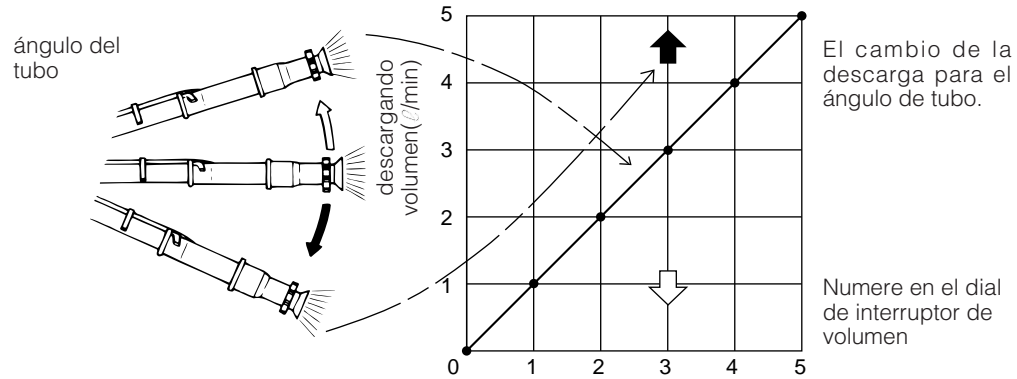


2. El ajuste de descargando volumen



- Coincida el número en el dial de interruptor de volumen con la marca.
- Descargando el volumen aumentarán de acuerdo con como los aumentos del número.

descargando volumen



PRECAUCIÓN

- No use el hidrato de la densidad alta.

! ADVERTENCIA

- Nunca opere un atomizador cuando esté fatigado.
- Nunca opere un atomizador sin los protectores apropiados u otros dispositivos de seguridad en posición.

! ADVERTENCIA

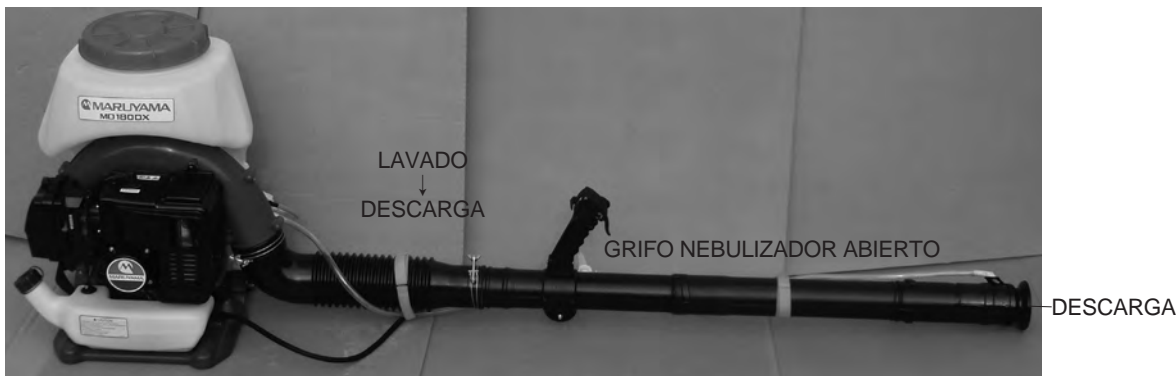
Para prevenir el sobrecalentamiento y agarrotamiento del motor, el aire de enfriamiento sale de la reja de admisión del compartimiento del ventilador y se impulsa por el ventilador centrífugo a través de una abertura en el compartimiento del ventilador sobre el área de las aletas del cilindro, descargando el calor de combustión. La reja y las aletas del cilindro deben mantenerse libres de césped, polvo y cualesquiera residuos. Un fallo del motor debido a no observación de este "Mantenimiento Normal" no está cubierto por la garantía.

APAGADO DEL MOTOR

Cierre el grifo nebulizador y detenga la pulverización. Siempre deje el motor en marcha lenta durante algunos minutos para permitir que se enfríe antes de apagarlo. Para apagar el motor, desplace la palanca de mando del acelerador completamente hacia la posición de detención del motor.

LIMPIEZA DE LOS PRODUCTOS

Quite la manguera nebulizadora del tubo nebulizador y, a continuación, descargue el producto químico del depósito de producto químico. Después recuperar el producto químico remanente, limpie el interior del depósito de producto químico utilizando agua limpia.



Lave también la tobera rociadora con agua limpia.

MAINTENANCE RÉGULIÈRE

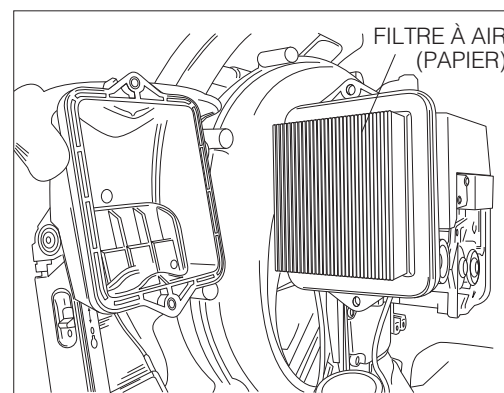
Avant chaque utilisation, la souffeuse à dos doit être inspectée afin de vérifier son montage et le bon fonctionnement de tous les composants. Le serrage correct de toutes les attaches doit être vérifié. Recherchez toujours une éventuelle fuite de carburant.

! **AVERTISSEMENT** N'essayez pas de démarrer ou de faire fonctionner une souffeuse avec une fuite de carburant.

FILTRE À AIR

Le filtre à air doit être inspecté lors de chaque utilisation de la souffeuse (ou plus souvent dans des conditions extrêmes).

Pour procéder à une inspection, ouvrez le couvercle du filtre à air et retirez-le de son logement. Nettoyer le filtre à air en tapant doucement avec un solvant approprié. Le filtre doit être parfaitement sec avant d'être utilisé à nouveau.



BUJIA

La bujía debe retirarse del motor y revisarse después de cada cincuenta (50) horas de uso. Los electrodos se pueden limpiar con un cepillo metálico. Ajuste la tolerancia en 0,8 – 0,9 mm (ver dibujo). Reemplace la bujía si se ha ensuciado con aceite.



PRECAUCION!

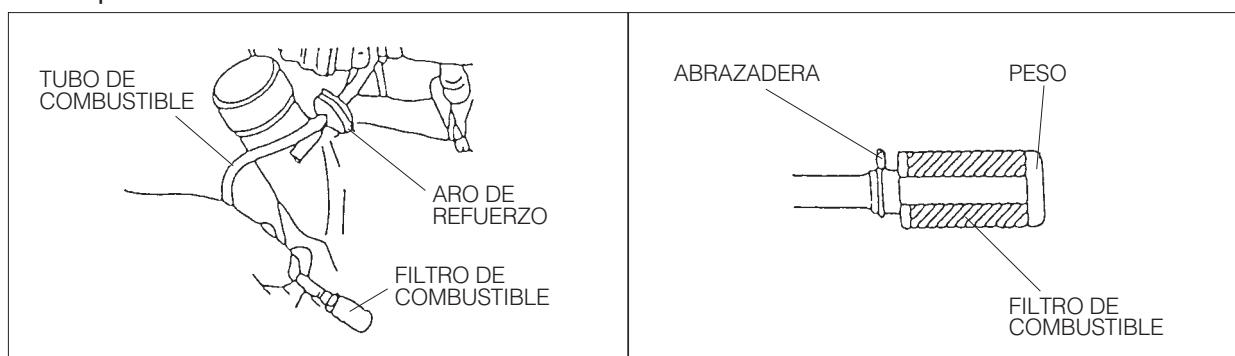
La torsión correcta de la bujía es entre 13,6 y 16,3 Nm. No la apriete demasiado.



FILTRO DE COMBUSTIBLE

El filtro de combustible se debe limpiar e inspeccionar en busca de daños después de cada veinte (20) horas de uso. El filtro de combustible está fijado en el tubo de captación, dentro del depósito de combustible. Afloje la abrazadera y saque el filtro de aire.

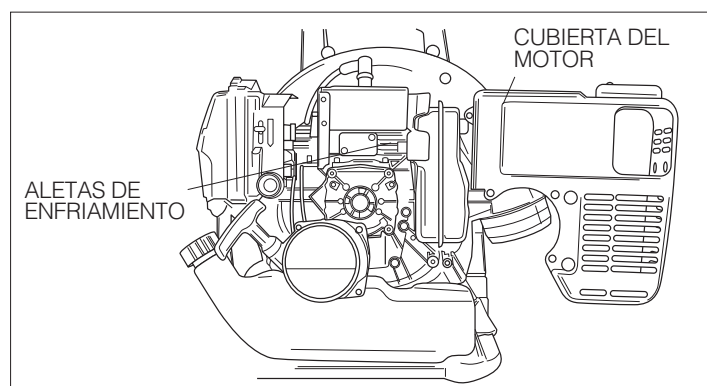
Para limpiar el filtro de aire, retírelo del tubo de combustible y lávelo usando la mezcla de combustible con la que funciona el motor.



Inspeccione y limpie el depósito de combustible antes de volver a instalar el filtro de combustible. Siempre reemplace un filtro de combustible defectuoso.

ALETAS DE ENFRIAMIENTO

Se requiere el pasaje libre del flujo de aire a través de las aletas de enfriamiento del cilindro para prevenir la reducción del rendimiento y el acortamiento de la vida de servicio del motor. Verifique y limpie regularmente todos los residuos de las aletas de enfriamiento quitando la cubierta del motor (vea la figura).



ILENCIOSO Y ORIFICIOS DE ESCAPE

Se debe quitar y reparar el silencioso después de cada cincuenta (50) horas de uso. Al mismo tiempo, se debe limpiar e inspeccionar los orificios de escape. Póngase en contacto con un DISTRIBUIDOR MARUYAMA AUTORIZADO para este servicio.

LIMPIEZA Y APRIETE GENERAL

El atomizador MARUYAMA ofrecerá su rendimiento máximo durante muchas horas, si se realiza el mantenimiento adecuado. El buen mantenimiento incluye la verificación regular del apriete correcto de todos los sujetadores y la limpieza de toda la máquina. Póngase en contacto con un distribuidor MARUYAMA autorizado para sugerencias de mantenimiento adicionales.

ALMACENAJE

Para el almacenaje de largo tiempo del atomizador, primero realice todos los procedimientos del mantenimiento regular y repare cuando sea necesario. Vacíe el depósito de combustible. Desconecte la línea de suministro de combustible desde el carburador y presione el bulbo de cebado hasta que se interrumpa la descarga de combustible desde la línea de retorno de combustible. Arranque el motor y deje que funcione hasta parar. Tire algunas veces del cable del arrancador para sacar cualquier combustible remanente del motor. Quite la bujía e inserte una pequeña cantidad de aceite en el cilindro. Tire lentamente del cable del arrancador y traiga el pistón a la posición más cercana del orificio de la bujía. Reinstale la bujía. Aplique una capa fina de aceite a todas las superficies metálicas y almacene el atomizador en un lugar seco.

INFORMACION SOBRE CONTROL DE EMISIONES

INFORMACIÓN SOBRE COMBUSTIBLE

ESTE MOTOR ESTA CERTIFICADO PARA FUNCIONAR ÚNICAMENTE CON GASOLINA GRADO CORRIENTE. Se recomienda un mínimo de 87 octanos del índice antidetonante. Este índice antidetonante aparece fijado en las estaciones de servicio.

INFORMACIÓN SOBRE CONTROL DE EMISIÓN DE GASES DE ESCAPE

Para proteger el Ambiente en el que vivimos todos, Kawasaki tiene incorporado un sistema de control de emisiones (EM), en cumplimiento de las regulaciones aplicables expedidas por la Junta de Recursos de Aire de California (California Air Resources Board). Si ha comprado su unidad (Soplador, Recortadora de Césped, Podadora de Seto) en el Estado de California, el motor tiene una duración asignada de 300 horas de operación.

SISTEMA DE CONTROL DE EMISIÓN DE GASES DE ESCAPE (EM)

El sistema reduce la cantidad de contaminantes que el escape del motor descarga en la atmósfera. El combustible, el encendido y los sistemas de escape de este motor han sido cuidadosamente diseñados y construidos para asegurar un motor eficiente con un nivel bajo de contaminantes en los gases de escape. Si ha comprado su (Soplador, Recortadora de Césped, Podadora de Seto) en el estado de California, el sistema de escape del motor incluye un sistema de convertidor catalítico.

MANTENIMIENTO Y GARANTÍA

Es necesario un mantenimiento adecuado para garantizar que su motor continuará teniendo bajos niveles de emisión. Este Manual del Propietario u Operador, contiene tales recomendaciones de mantenimiento para su motor. Esos procedimientos, identificados en el Cuadro de Mantenimiento Periódico, son necesarios para asegurar el cumplimiento de los estándares aplicables.

Como propietario de esta unidad (Soplador, Recortadora de Césped, Podadora de Seto) usted tiene la responsabilidad de asegurarse de que el mantenimiento recomendado se realiza, a su costo, de acuerdo con las instrucciones contenidas en este Manual del Propietario u Operador.

La Garantía Limitada Maruyama del Sistema de Control de Emisiones, exige que usted devuelva su unidad (Soplador, Recortadora de Césped, Podadora de Seto) a un distribuidor autorizado Maruyama para que se remedie cualquier defecto bajo garantía. Por favor lea cuidadosamente la garantía y manténgala válida, y cumpla con las obligaciones de propietario que en ella se detallan.

LA MANIPULACIÓN INDEBIDA DEL SISTEMA DE CONTROL DE EMISIONES ESTÁ PROHIBIDA

La ley del Estado de California prohíbe los actos especificados a continuación, o que se cause cualquiera de los siguientes hechos: (1) el que cualquier persona, para propósitos diferentes a mantenimiento, reparación, o reemplazo, retire o deje inoperante cualquier dispositivo o elemento de diseño incorporado a cualquier motor nuevo para propósitos de control de emisiones, antes de su venta o entrega al comprador final o mientras tal motor está en uso, o (2) el uso del motor después de que cualquier persona haya retirado o dejado inoperante tal dispositivo o elemento de diseño.

Los actos relacionados a continuación están entre los actos que se presume constituyen manipulación indebida:

No manipule indebidamente las piezas originales relacionadas con Tanque de combustible la emisión:

- Carburador y piezas internas
- Bujía
- Magneto o sistema de ignición electrónica
- Filtro de Combustible
- El silenciador ou cualquier otra parte interna del silenciador
- Filtro de aire
- Tanque de combustible

RECOMENDACIONES SOBRE COMBUSTIBLE

COMBUSTIBLE

Los motores Kawasaki de 2 tiempos, serie TK requieren mezcla de gasolina – aceite. Use únicamente gasolina limpia, fresca, sin plomo y de grado corriente.

Grado de Octanaje

El grado de octanaje de una gasolina es la medida de su resistencia a la “detonación”.

Se recomienda usar un octanaje de por lo menos 87, según el índice antidetonante. Este índice antidetonante se encuentra fijado en las carteleras de las estaciones de servicio.

NOTA:

- Si se presenta “golpeteo o martilleo de válvula”, use una marca diferente de gasolina o gasolina de más alto octanaje.

⚠ ADVERTENCIA ⚠

La gasolina es extremadamente inflamable y puede ser explosiva en ciertas condiciones. Gire el interruptor de arranque del motor a la posición de APAGADO (OFF). No fume. Asegúrese de que el área esté bien ventilada y libre de cualquier fuente de llama o chispas: esto incluye cualquier artefacto de gas con llama piloto.

MEZCLA DE ACEITE PARA EL MOTOR DE 2 TIEMPOS

El aceite se debe mezclar con la gasolina para lubricar el pistón, el cilindro, el cigüeñal, los cojinetes y los cojinetes de las bielas.

Aceite de Motor Recomendado: aceite formulado para motor de 2 tiempos, enfriado por aire.

Proporción de mezcla de la gasolina y el aceite motor: 1:50 (50 partes de gasolina por 1 parte de Aceite para Motor de 2 tiempos).

NOTA:

- No mezcle directamente la gasolina y el aceite en el depósito de combustible.
- La calidad lubricante de esta mezcla se deteriora rápidamente.
- No use gasolina que haya estado guardada por más de dos meses.
- Para garantizar un arranque adecuado en ambientes a bajas temperaturas, debe usar combustible fresco formulado para invierno.

PRECAUCION: El motor se despacha sin combustible.

AJUSTE

AJUSTE DE MARCHA EN VACIO

1. La marcha en vacío es el único ajuste posible.
2. No manipule indebidamente la graduación del carburador para aumentar la velocidad máxima del motor.
3. Si necesita ajustarlo, hágalo a su comerciante autorizado de servicios de MARUYAMA. El carburador es ajustado en la fábrica; por lo tanto, no puede hacerlo sin desarmar.

MANTENIMIENTO

CUADRO DE MANTENIMIENTO PERIODICO

⚠ ADVERTENCIA ⚠

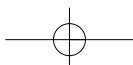
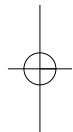
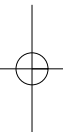
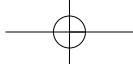
Siempre retire de la bujía la tapa cuando dé servicio al motor para evitar que el motor arranque accidentalmente.

MANTENIMIENTO	Intervalo				
	Diariamente	Primeras 20 horas	Cada 20 horas	Cada 50 horas	Cada 100 horas
Revise y reabastezca el combustible	I	●			
Revise si hay alguna fuga de combustible	●				
Revise los pernos, tuercas y tornillos para asegurarse de que no estén flojos o sueltos	●				
Limpie el filtro de combustible				●	
★ Limpie el elemento del filtro de aire			●		
Apriete los pernos y las tuercas		●		●	
Limpie la bujía y ajuste la separación de los electrodos				●	
★ Limpie el polvo y la mugre acumulados en las aletas del cilindro				●	
M Remueva los depósitos de carbón en la cabeza del pistón y dentro del cilindro				●	
M Remueva los depósitos de carbón del tubo de salida del silenciador				●	
M Limpie la malla del guarda chispas (si lo hay)					●
M Revise la porción deslizante del cigüeñal, la biela, etc.				●	
Tubo de combustible	Se recomienda reemplazar cada 3 años.				

Nota: Los intervalos de servicio indicados son para usarse como guía. Se puede dar servicio con más frecuencia según la necesidad indicada por las condiciones de operación.

M: El servicio lo debe realizar un distribuidor autorizado de motores Maruyama.

★: Servicio más frecuente bajo condiciones polvorrientas.





Maruyama U.S., Inc.

4770 Mercantile Drive, suite100,
Fort Worth, TX 76137 U.S.A.
Phone 940-383-7400
Fax 940-383-7466

www.maruyama-us.com
P/N 129308-04 13.06 TAP/F