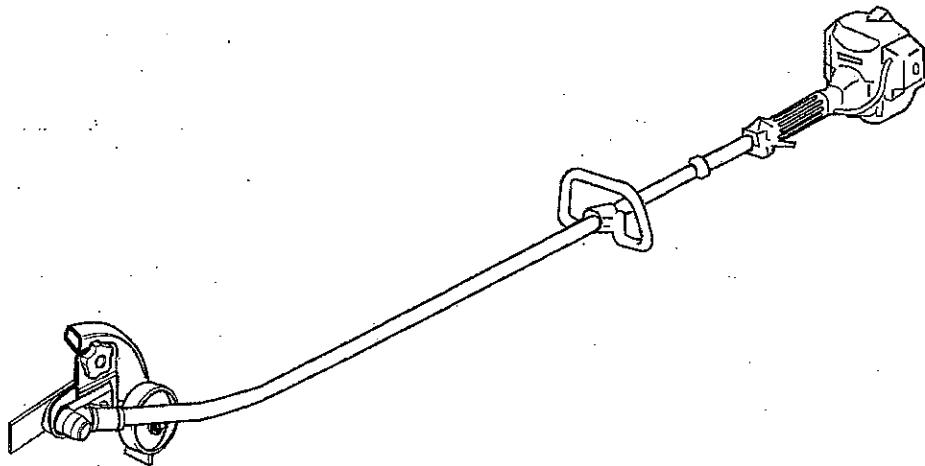




Power Edger

ED2300

ED2610



Owner's/Operator's Manual

Completely read and understand this manual before using this product.



Limited Warranty Statement

All Maruyama products are warranted to the original purchaser to be free from defects in material and workmanship **from the date of purchase** for the time periods listed as follows:

Lifetime for inner drive shafts on trimmers and brushcutters and all ignition modules. **3 years** for residential, non-institutional, non-income producing use. **1 year** for industrial, commercial, institutional, rental and income producing use.

Any part of a Maruyama product found to be defective within the applicable warranty period shall, at Maruyama's option, be repaired or replaced without charge. Warranty consideration is obtained by delivering any Maruyama product believed to be defective to an Authorized Maruyama Servicing Dealer within the applicable warranty period.

The purchaser shall not be charged for diagnostic labor that leads to the determination that a warranted part is defective, if the diagnostic work is performed at a Maruyama Dealer.

Any warranted part which is not scheduled for replacement as required maintenance, or which is scheduled only for regular inspection to the effect of "repair or replace as necessary" shall be warranted for the warranty period. Any warranted part which is scheduled for replacement as required maintenance shall be warranted for the period of time up to the first scheduled replacement point for that part. Maruyama Mfg. Co., Inc. is liable for damages to other engine components caused by the failure of warranted part still under warranty.

The purchaser is responsible for the performance of the required maintenance, as defined by Maruyama Mfg. Co., Inc. in the Owner's/Operator's Manual.

EMISSION-RELATED PARTS WARRANTY: In addition to the above warranty coverage, Maruyama Mfg. Co., Inc. will repair or replace, free of charge, for the original purchaser and each subsequent purchaser any emission-related part or parts found to be defective in material and workmanship for two (2) years from original retail delivery date. **Emission-related parts are the carburetor assembly, the ignition coil assembly, the ignition rotor and the spark plug.** Any replacement part that is equivalent in performance and durability may be used in non-warranty maintenance or repairs, and shall not reduce the warranty obligations of Maruyama Mfg. Co., Inc.

This warranty does not cover the following:

1. Maintenance items (excluding defects in materials and workmanship) including hoses, spark plugs, starter rope, air and fuel filters, clutch shoes, vibration isolators, throttle cables and all cutting attachments, etc.
2. Extra expenses including shipping and handling, travel, payment for lost time or pay and for any inconvenience and storage.
3. Alterations or modifications including aftermarket parts not authorized by Maruyama U.S., Inc.
4. Wear, accident, abuse, neglect, misuse, negligence, improper fuels, lubricants, fuel mixtures (when applicable), or failure to operate or maintain the product in accordance with instructions approved by Maruyama.

Repair or replacement as provided under this warranty is the exclusive remedy of the consumer. Maruyama shall not be liable for any incidental or consequential damages for breach of any express or implied warranty on these products except to the extent prohibited by applicable law. Any implied warranty of merchantability or fitness for a particular purpose on these products is limited in duration to the warranty period as defined in the limited warranty statement. Maruyama reserves the right to change or improve the design of the product without notice and does not assume obligation to update previously manufactured products.

This warranty provides you with specific legal rights which may vary from state to state.

It is the Owner's and Dealer's responsibility to make sure the Warranty Registration Card is properly filled out and mailed to Maruyama U.S., Inc. Proof of purchase and registration will be required in order to obtain warranty service.

To locate an Authorized Maruyama Servicing Dealer nearest you, contact Maruyama U.S., Inc. at 1-425-885-0811.

Maruyama U.S., Inc
PO Box 309
Auburn, WA 98071-0309

Effective March 1, 1997

P/N 221771 Multi-Cutter MC2300, MC2610, MC3210 (Page 24: MC-E)
P/N 221946 Power Edger ED2300, ED2610 (Page 8)

Add →

Lubricate drive-
shaft each 30
hours of use.

ON SHAFT
(Part No. 223926)

P/N 221771 Multi-Cutter MC2300, MC2610, MC3210 (Page 26: MC-HT)
P/N 222224 Power Hedge Trimmer EHT2300D, EHT2600D (Page 6)
P/N 223082 Multi-Cutter MC261 (Page 5: MC-HT)



ON GEARCASE
(Part No. 217880)

Exchange →

Add grease to
gearcase every
10 hours of use.

ON GEARCASE
(Part No. 223925)

P/N 221771 Multi-Cutter MC2300, MC2610, MC3210 (Page 44: MC-HT)
P/N 222224 Power Hedge Trimmer EHT2300D, EHT2600D (Page 21)
P/N 222929 Multi-Cutter MC321 (Page 7: MC-HT)
P/N 223082 Multi-Cutter MC261 (Page 25: MC-HT)
P/N 223707 Multi-Cutter MC3210 (Page 7: MC-HT)

Lubrication

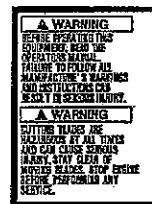
Maintenance Interval

The gearcase and angle drive should be inspect after each 10 to 20 hours of use.

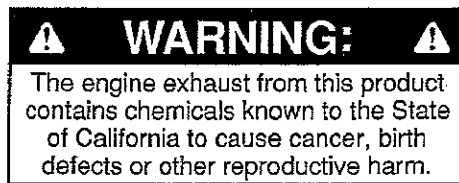
Delete

P/N 222224 Power Hedge Trimmer EHT2300D, EHT2600D (Page 6)

Add →



ON SHAFT
(Part No. 217879)



CALIFORNIA EMISSION CONTROL WARRANTY STATEMENT YOUR WARRANTY RIGHTS AND OBLIGATIONS

The U.S. Environmental Protection Agency (EPA), the California Air Resources Board (CARB), and Maruyama Manufacturing Company, Inc. are pleased to explain the emission control system warranty on your utility/lawn/garden equipment engine. In California, new 1995 and later utility/lawn/garden equipment engines must be designed, built and equipped to meet the State's stringent anti-smog standards. In other states, new 1997 and later model year utility/lawn/garden equipment engines must be designed, built and equipped, at the time of sale, to meet the U.S. EPA regulations for small nonroad engines. The equipment engine must be free from defects in materials and workmanship which cause it to fail to conform with U.S. EPA standards for the first two years of engine use from the date of sale to the ultimate purchaser. Maruyama Manufacturing Company, Inc. must warrant the emission control system on your utility/lawn/garden equipment engine for the period of time listed above provided there has been no abuse, neglect or improper maintenance of your utility/lawn/garden equipment engine.

Your emission control system may include parts such as the carburetor or fuel injection system, the ignition system, and catalytic converter. Also included may be hoses, belts, and connectors and other emission related assemblies.

Where a warrantable condition exists, Maruyama Manufacturing Company, Inc. will repair your utility/lawn/garden equipment engine at no cost to you, including diagnosis (if the diagnostic work is performed at an authorized dealer), parts, and labor.

MANUFACTURER'S WARRANTY COVERAGE:

The 1995 and later utility/lawn/garden equipment engines are warranted for two years in California. In other states, 1997 and later model year utility/lawn/garden equipment engines are also warranted for two years. If any emission-related part on your engine is defective, the part will be repaired or replaced by Maruyama Manufacturing Company, Inc. free of charge.

OWNER'S WARRANTY RESPONSIBILITIES:

- (a) As the utility/lawn/garden equipment engine owner, you are responsible for the performance of the **required maintenance listed in your owner's manual.**

Maruyama Manufacturing Company, Inc. recommends that you retain all receipts covering maintenance on your utility/lawn/garden equipment engine, but Maruyama Manufacturing Company, Inc. cannot deny warranty solely for the lack of receipts or for your failure to ensure the performance of all scheduled maintenance. Any replacement part or service that is equivalent in performance and durability may be used in non-warranty maintenance or repairs, and shall not reduce the warranty obligations of the engine manufacturer.

(b) As the utility/lawn/garden equipment engine owner, you should be aware, however, that Maruyama Manufacturing Company may deny you warranty coverage if your utility/lawn/garden equipment engine or a part has failed due to abuse, neglect, improper maintenance or unapproved modifications.

(c) You are responsible for presenting your utility/lawn/garden equipment engine to a Maruyama Manufacturing Company, Inc. service center as soon as a problem exists. The warranty repairs should be completed in a reasonable amount of time, not to exceed **30 days**.

If you have any questions regarding your warranty rights and responsibilities, you should contact Maruyama U.S., Inc. at **1-425-885-0811**.

COVERAGE

Maruyama Manufacturing Company, Inc. warrants to the ultimate purchaser and each subsequent purchaser that your utility/lawn/garden equipment engine will be designed, built and equipped, at the time of sale, to meet all applicable regulations. Maruyama Manufacturing Company, Inc. also warrants to the initial purchaser and each subsequent purchaser that your utility/lawn/garden engine is free from defects in materials and workmanship which cause the engine to fail to conform with applicable regulations for a period of two years.

The 1995 and later utility/lawn/garden equipment engines are warranted for two years in California. In all other states for 1997 and later model years, EPA requires manufacturers to warrant utility/lawn/garden equipment engines for two years. These warranty periods will begin on the date the utility/lawn/garden equipment engine is purchased by the initial purchaser. If any emission-related part on your engine is defective, the part will be replaced by Maruyama Manufacturing Company, Inc. at no cost to the owner.

Maruyama Manufacturing Company, Inc. shall remedy warranty defects at any authorized Maruyama Manufacturing Company, Inc. engine dealer or warranty station. Any authorized work done at an authorized dealer or warranty station shall be free of charge to the owner if such work determines that a warranted part is defective. Any manufacturer-approved or equivalent replacement part may be used for any warranty maintenance or repairs on emission-related parts, and must be provided free of charge to the owner if the part is still under warranty. Maruyama Manufacturing Company, Inc. is liable for damages to other engine components caused by the failure of a warranted part still under warranty.

The California Air Resources Board's Emission Warranty Parts List specifically defines the emission-related warranted parts, (EPA's regulations do not include a parts list, but EPA considers emission-related warranted parts to include all the parts listed below.) These warranted parts are: **the carburetor assembly, the ignition coil assembly, the ignition rotor and the spark plug.**

MAINTENANCE REQUIREMENTS

The owner is responsible for the performance of the required maintenance as defined by the Maruyama Manufacturing Company, Inc. in the owner's manual.

LIMITATIONS

This Emission Control System Warranty shall not cover any of the following:

- (a) repair or replacement required because of misuse or neglect, lack of required maintenance, repairs improperly performed or replacements not conforming to Maruyama Manufacturing Company, Inc. specifications that adversely affect performance and/or durability, and alterations or modifications not recommended or approved in writing by Maruyama Manufacturing Company, Inc., and
- (b) replacement of parts and other services and adjustments necessary for required maintenance at and after the first scheduled replacement point.

Contents

	Page
Limited Warranty Statement	1
California Emission Control	2
Introduction	5
Safety	6
Operator Safety	6
Edger Safety	6
Fuel Safety	7
Power Edger Operating Safety	7
Safety and Instruction Decals	8
Product Description	9
Assembly	10
Assembling Engine and Drive Shaft Assembly	10
Loop Handle Installation	10
Connecting Stop Switch Wires	11
Connecting Throttle Cable	11
Installing Shield	12
Installing Edger Blade	12
Before Operation	13
Oil and Fuel	13
Mixing Gasoline And Oil	14
Starting And Stopping	15
Idle Speed Adjustment	16
Operation	17
Operating Position	18
Setting Depth of Cut	19
Maintenance	19
Air Filter	19
Fuel Filter	20
Spark Plug	20
Cylinder Cooling Fins	20
Spark Arrester	21
Exhaust Muffler	22
Flexible Drive Shaft Maintenance	23
Gearcase Maintenance	23
General Cleaning and Tightening	24
Storage	24
Troubleshooting	25
Specifications	25

Introduction

Thank you for purchasing a Maruyama product.

Maruyama, its distributors, and dealers want you to be completely satisfied with your new product. Please feel free to contact your local Authorized Service Dealer for help with service, genuine Maruyama parts, or other information you may require.

Whenever you contact your Authorized Service Dealer or the factory, always know the serial number of your product. This number will help the Service Dealer or Service Representative provide exact information about your specific product. You will find the serial number located in a unique place on the product (Product Description on page 9).

For your convenience, write the product model name and serial number in the space below.

<p>Serial No. _____</p>

Read this manual carefully to learn how to operate and maintain your product correctly. Reading this manual will help you and others avoid personal injury and damage to the product. Although Maruyama designs, produces and markets safe, state-of-the-art products, you are responsible for using the product properly and safely. You are also responsible for training persons who you allow to use the product about safe operation.

The Maruyama warning system in this manual identifies potential hazards and has special safety messages that help you and others avoid personal injury, even death. **DANGER**, **WARNING** and **CAUTION** are signal words used to identify the level of hazard. However, regardless of the hazard, be extremely careful.

DANGER signals an extreme hazard that will cause serious injury or death if the recommended precautions are not followed.

WARNING signals a hazard that may cause serious injury or death if the recommended precautions are not followed.

CAUTION signals a hazard that may cause minor or moderate injury if the recommended precautions are not followed. Two other words are also used to highlight information. "Important" calls attention to special mechanical information and "Note" emphasizes general information worthy of special attention.

Safety

Operator Safety

1. Read and understand this Operator's Manual before using this product. Be thoroughly familiar with the proper use of this product.
2. Never allow children to operate the Edger. It is not a toy. Never allow adults to operate the unit without first reading the Operator's Manual.
3. Always wear eye protection that complies with ANSI (American National Standards Institute) Z87-1.



4. Always wear hearing protection.



5. Always wear heavy, long pants, a long sleeved shirt, boots and gloves. Do not wear loose clothing, jewelry, short pants, sandals, or go barefoot. Secure hair so it is above shoulder length.
6. Never operate this Edger when you are tired, ill, or under the influence of alcohol, drugs or medication.

7. Never start or run the engine inside a closed room or building. Breathing exhaust fumes can cause death.



8. Keep handles clean of oil, fuel and dirt.

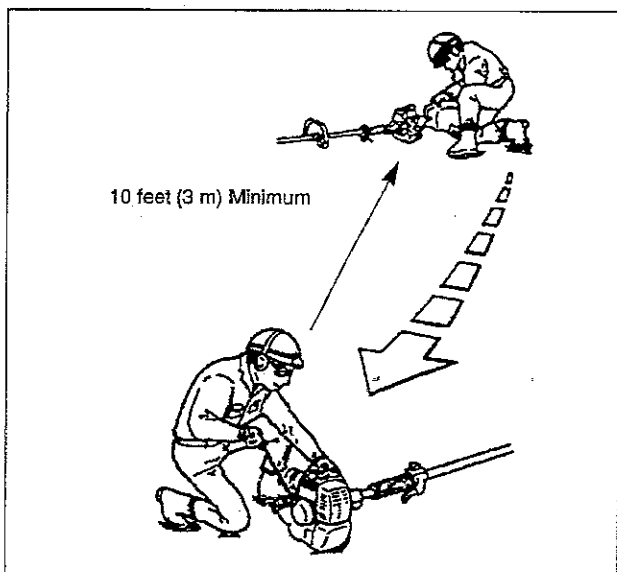
Edger Safety

1. Make sure the Edger is assembled correctly and that the Edger blade is correctly installed and securely fastened as instructed in the Assembly section.
2. Inspect the Edger before each use. Replace damaged parts. Check for fuel leaks. Make sure all fasteners are in place and tightened securely. Follow the maintenance instructions beginning on page 19.
3. Make sure the Edger blade does not rotate at engine idle speed. Refer to Idle Speed Adjustment, page 16.
4. Inspect the Edger cutting blade and replace any parts that are cracked, chipped or damaged before using the Edger.
5. Make sure the blade shield is installed and positioned correctly before using the Edger.
6. Never use a cutting blade or replacement parts that are not approved by Maruyama.
7. Maintain the Edger according to the recommended maintenance intervals and procedures in the Maintenance section on page 19.
8. Shut off the engine and be certain the cutting blade has completely stopped rotating before inverting the Edger, performing maintenance on or working on the machine.

- If running problems or excessive vibration occur, stop immediately and inspect the unit for the cause. If the cause cannot be determined or is beyond your ability to correct, return the Edger to your servicing dealer for repair.

Fuel Safety

- Gasoline is highly flammable and must be handled and stored carefully. Use a container approved for fuel for storing gasoline and/or fuel/oil mixture.
- Mix and pour fuel outdoors and where there are no sparks or flames.
- Do not smoke near fuel or Edger, or while using the Edger.
- Do not overfill the fuel tank. Stop filling 1/4-1/2 inch (6 mm-13 mm) from the top of the tank.
- Wipe up any spilled fuel before starting the engine.
- Move the Edger at least 10 feet (3 m) away from the fueling location before starting the engine.

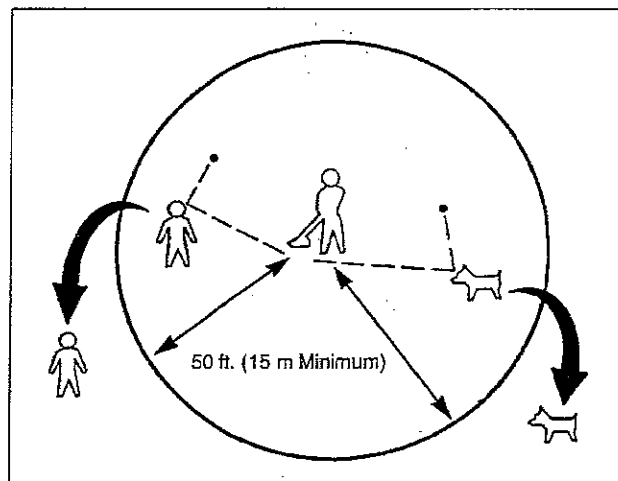


- Do not remove the fuel tank cap while the engine is running, or right after stopping the engine.

- Allow the engine to cool before refueling.
- Drain the tank and run the engine dry before storing the unit.
- Store fuel and Edger away from open flame, sparks and excessive heat. Make sure fuel vapors cannot reach sparks or open flames from water heaters, furnaces, electric motors, etc.

Power Edger Operating Safety

- THIS EDGER CAN CAUSE SERIOUS INJURIES.** Read the instructions carefully. Be familiar with all controls and the proper use of the Edger.
- Make sure the 3 mm hex wrench has been removed from the gearcase and boss adapter before you start the engine.
- Avoid using the Edger near rocks, gravel, stones and similar material which can become dangerous projectiles.
- Keep children, bystanders and animals outside a 50 ft. (15 m) radius from the operator and Edger.



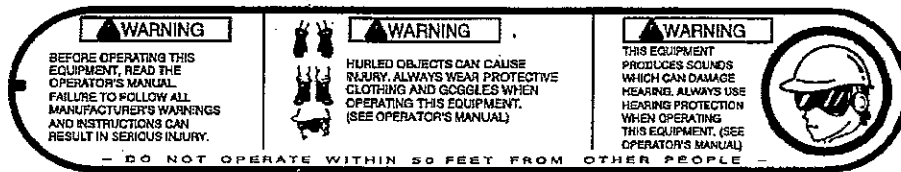
- If you are approached while operating the Edger, stop the engine and Edger blade rotation.

6. Never allow children to operate the Edger.
7. Use the Edger only in daylight or good artificial light.
8. Never operate the Edger without proper guards or other protective safety devices in place.
9. Do not put hands or feet near or under any rotating parts. Keep clear at all times. Keep all parts of your body away from the rotating Edger blade and hot surfaces such as the muffler.
10. Keep firm footing and balance. Do not overreach.
11. Use the right tool for the job. Do not use the Edger for any job that is not recommended by Maruyama.

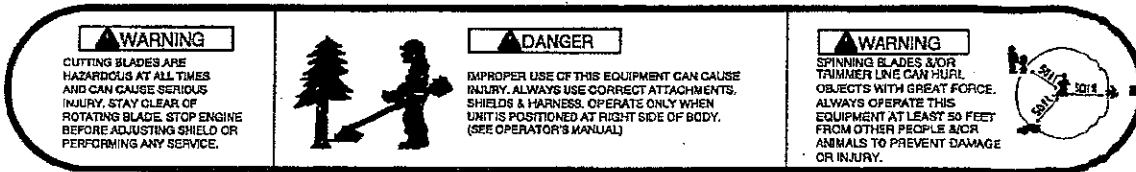
Safety and Instruction Decals



Safety decals and instructions are easily visible to the operator and are located near any area of potential danger. Replace any decal that is damaged or lost.



ON SHAFT
(Part No.221501)

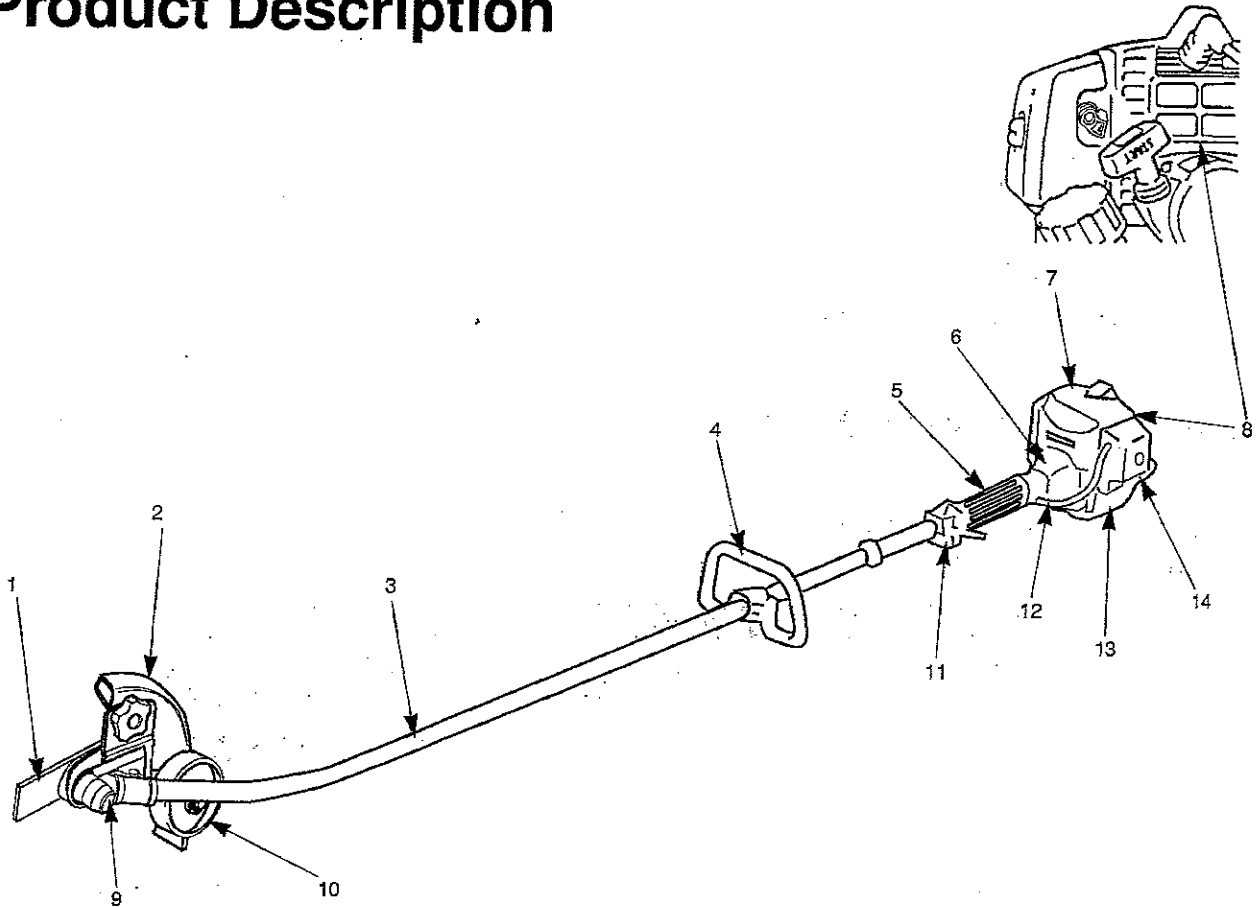


ON SHAFT
(Part No.221502)



ON BLADE SHIELD
(Part No.221528)

Product Description

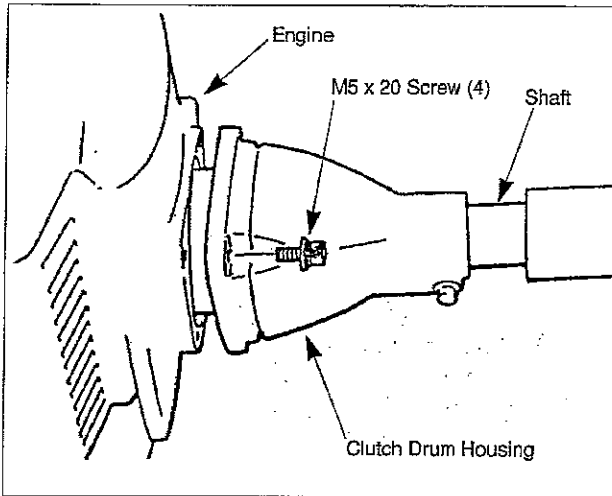


- | | |
|---|--|
| 1. Edger Blade | 9. Gearcase |
| 2. Blade Shield | 10. Wheel |
| 3. Shaft Assembly | 11. Throttle Trigger and Stop Switch |
| 4. Loop Handle | 12. Throttle Cable and Stop Switch Wires |
| 5. Shaft Grip | 13. Fuel Tank |
| 6. Clutch Drum Housing | 14. Air Filter |
| 7. Engine | |
| 8. Serial Number
(on rear of engine) | |

Assembly

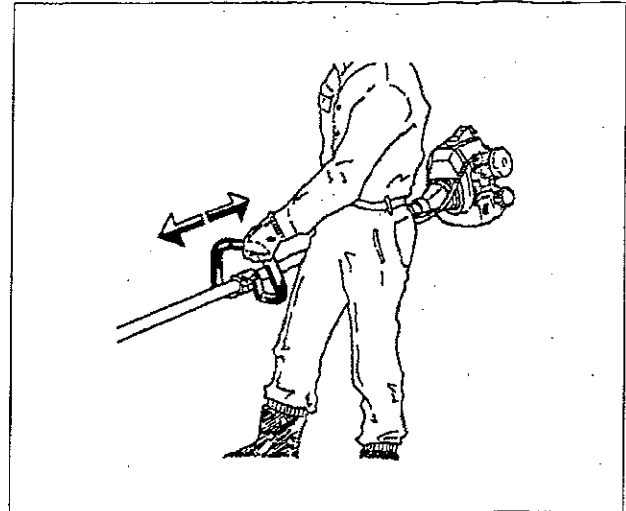
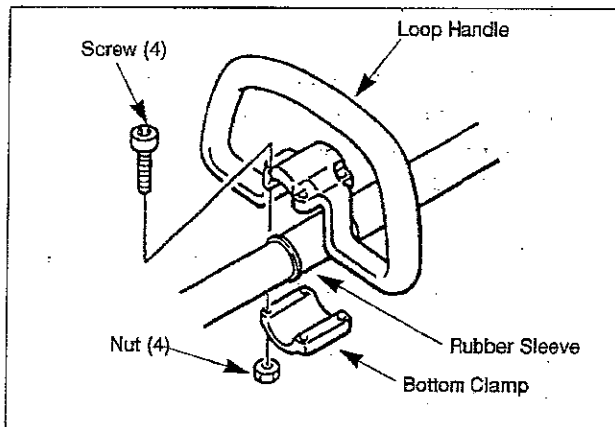
Assembling Engine and Drive Shaft Assembly

The drive shaft, clutch drum housing and gearcase are assembled. Attach the clutch drum housing to the engine using the four M5 x 20 screws supplied with the unit.



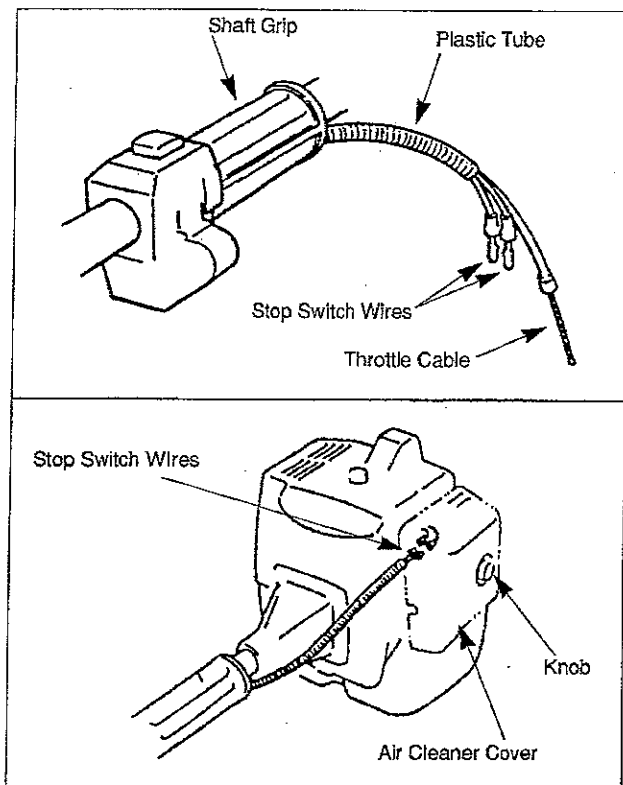
Loop Handle Installation

The loop handle kit contains a package of four screws and nuts, a rubber sleeve and the bottom clamp for the loop handle.



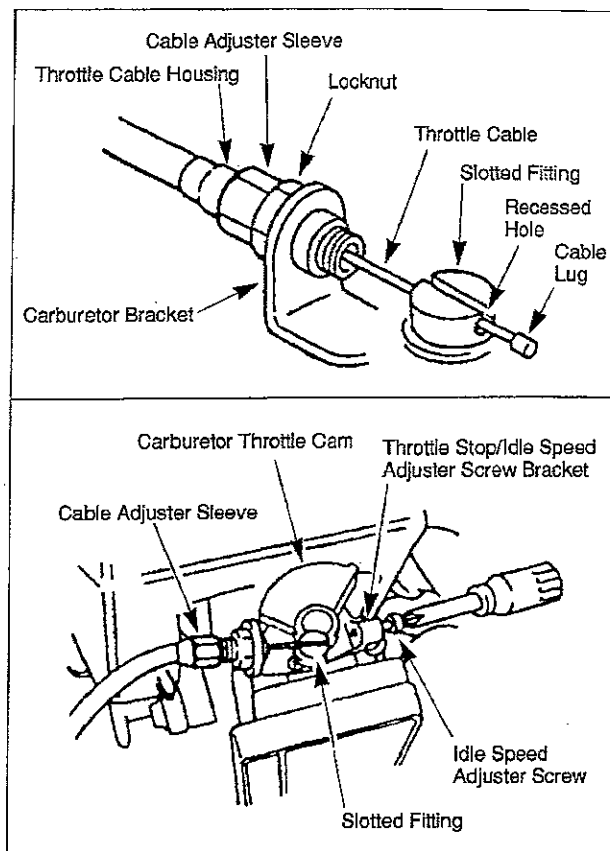
1. Slip the rubber sleeve around the shaft approximately 9 inches (22.8 cm) from the end of the stop switch/throttle trigger assembly for an initial handle position.
2. Rotate the rubber sleeve so the split is to one side.
3. Place the loop handle and the bottom clamp over the rubber sleeve.
4. Install the four screws and nuts. Leave the screws finger-tight.
5. Reposition the loop handle up or down the drive shaft to the most comfortable position, but no closer than 9 inches (22.8 cm) from the end of the stop switch.
6. Tighten the screws and nuts.

Connecting Stop Switch Wires



1. Install the plastic tube (packed with the drive shaft assembly) around the throttle cable and stop switch wires.
2. Loosen the knob and remove the air cleaner cover to access the stop switch wires.
3. Plug the stop switch wires into the matching connectors from the engine. Note that wire polarity is not important.

Connecting Throttle Cable



1. With the air cleaner cover removed, insert the throttle cable through the cable adjuster sleeve on the carburetor bracket. Make sure the end of the cable housing is seated positively in the sleeve.
2. Position the slotted fitting on the carburetor so the recessed hole for the cable lug is away from the cable adjuster sleeve.
3. Rotate the carburetor throttle cam clockwise and slip the throttle cable through the slot in the slotted fitting, making sure the cable lug drops into the recessed hole.
4. Operate the throttle trigger a few times to make sure that it works correctly.
5. Adjust the cable adjuster sleeve so the stop on the carburetor throttle cam just contacts the throttle stop when the throttle trigger is fully depressed.

- When the throttle cable is adjusted correctly, tighten the locknut.
- Reinstall the air cleaner cover and tighten the knob.

Installing Shield

⚠ WARNING

POTENTIAL HAZARD

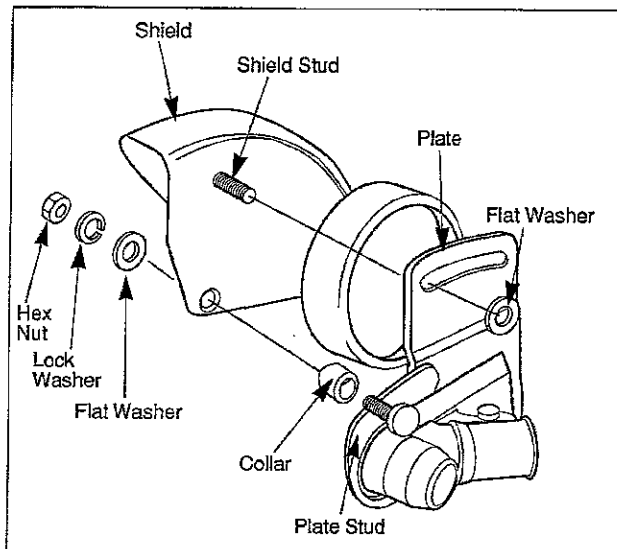
- Foreign objects can be thrown by Edger.

WHAT CAN HAPPEN

- Contact with thrown objects can cause personal injury.

HOW TO AVOID THE HAZARD

- Never operate the Edger without the blade shield in place.



- Install the collar onto the plate stud.
- Install the shield onto the plate stud, making sure the shield stud fits into the matching slot in the plate.
- Install the flat washer, lock washer and hex nut onto the plate stud.
- Install the flat washer and knob onto the shield stud.

Installing Edger Blade

⚠ CAUTION

POTENTIAL HAZARD

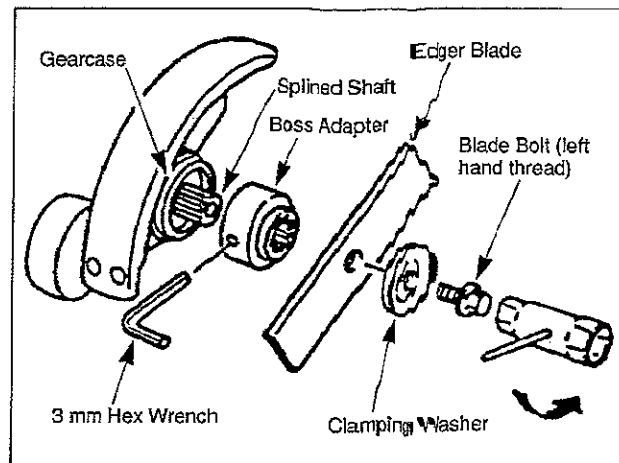
- If the Edger blade is not adequately tightened, it can come loose from the Edger during use.

WHAT CAN HAPPEN

- This may cause damage to property or personal injury.

HOW TO AVOID THE HAZARD

- Make sure the Edger blade is securely fastened to the splined shaft in the gearcase.



- Install the boss adapter onto the splined shaft out of the gearcase.
 - Install the edger blade, clamping washer and blade bolt.
- Note:** The blade bolt has left-hand threads.
- Align the hole in the boss adapter with the hole in the gearcase.
 - Insert the 3 mm hex wrench into the holes in the boss adapter and gearcase to lock the splined shaft.

5. Tighten the blade bolt to 100 in.-lbs. (11.3 N•M).
6. Remove the 3 mm hex wrench from the boss adapter and gearcase.

Before Operation

Oil and Fuel

⚠ DANGER

POTENTIAL HAZARD

- In certain conditions gasoline is extremely flammable and highly explosive.

WHAT CAN HAPPEN

- A fire or explosion from gasoline can burn you, others, and cause property damage.

HOW TO AVOID THE HAZARD

- Use a funnel and fill the fuel tank outdoors, in an open area, when the engine is cold. Wipe up any gasoline that spills.
- Do not fill the fuel tank completely full. Add gasoline to the fuel tank until the level is 1/4" to 1/2" (6 mm to 13 mm) below the bottom of the filler neck. This empty space in the tank allows gasoline to expand.
- Never smoke when handling gasoline, and stay away from an open flame or where gasoline fumes may be ignited by a spark.
- Store gasoline in an approved container and keep it out of the reach of children.
- Never buy more than a 30-day supply of gasoline.

1. Do not smoke near fuel.
2. Mix and pour fuel outdoors and where there are no sparks or flames.
3. Always shut off the engine before refueling. Never remove the fuel tank cap while the engine is running or just right after stopping the engine.

4. Always open the fuel tank cap slowly to release any possible overpressure inside the tank.

⚠ WARNING

POTENTIAL HAZARD

- Gasoline contains gasses that can build up pressure inside a gas tank.

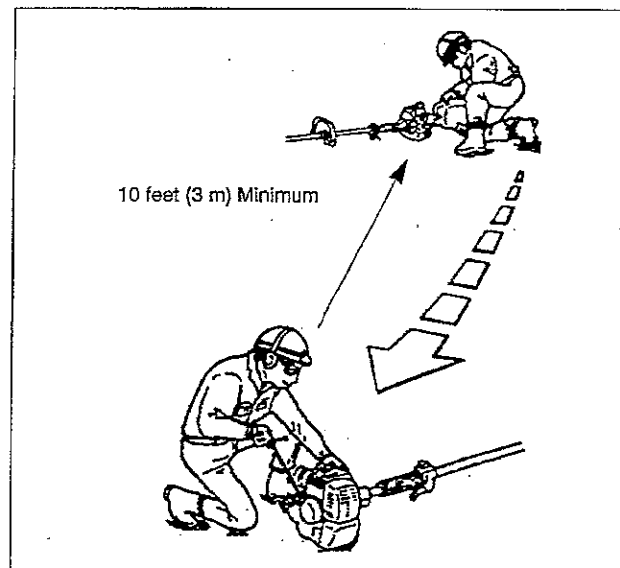
WHAT CAN HAPPEN

- Fuel can be sprayed on you when removing gas cap.

HOW TO AVOID THE HAZARD

- Remove fuel cap slowly to avoid injury from fuel spray.

5. Do not overfill the fuel tank. Stop filling 1/4-1/2 inch (6 mm-13 mm) from the top of the tank.
6. Tighten the fuel tank cap carefully but firmly after refilling.
7. Wipe up any spilled fuel before starting the engine.
8. Move the Edger at least 10 feet (3 m) away from the fueling location and fuel storage container before starting the engine.



Recommended Oil Type

Only use a two-cycle engine oil formulated for use in high-performance, air-cooled two-cycle engines. Maruyama brand 2-cycle oil is formulated for use in high-performance, air-cooled two-cycle engines.

IMPORTANT: Do not use National Marine Manufacturer's Association (NMMA) or BIA certified oils. This type of 2-cycle engine oil does not have the proper additives for air-cooled, 2-cycle engines and can cause engine damage.

Do not use automotive motor oil. This type of oil does not have the proper additives for air-cooled, 2-cycle engines and can cause engine damage.

Recommended Fuel Type

Use clean, fresh lead-free gasoline, including *oxygenated* or *reformulated* gasoline, with an octane rating of 85 or higher. To ensure freshness, purchase only the quantity of gasoline that can be used in 30 days. Use of lead-free gasoline results in fewer combustion chamber deposits and longer spark plug life. Use of premium grade fuel is not necessary or recommended.

Use of Fuel Additives

IMPORTANT: NEVER USE METHANOL, GASOLINE CONTAINING METHANOL, GASOLINE CONTAINING MORE THAN 10% ETHANOL, PREMIUM GASOLINE, OR WHITE GAS BECAUSE ENGINE FUEL SYSTEM DAMAGE COULD RESULT.

DO NOT USE FUEL ADDITIVES OTHER THAN THOSE MANUFACTURED FOR FUEL STABILIZATION DURING STORAGE SUCH AS MARUYAMA'S STABILIZER/CONDITIONER OR A SIMILAR PRODUCT. MARUYAMA'S STABILIZER/CONDITIONER IS A PETROLEUM DISTILLATE BASED CONDITIONER/STABILIZER.

MARUYAMA DOES NOT RECOMMEND STABILIZERS WITH AN ALCOHOL BASE SUCH AS ETHANOL, METHANOL OR ISOPROPYL. ADDITIVES SHOULD NOT BE USED TO TRY TO ENHANCE THE POWER OR PERFORMANCE OF MACHINE.

Mixing Gasoline And Oil

IMPORTANT: The engine used on this Edger is of a 2-cycle design. The internal moving parts of the engine, i.e., crankshaft bearings, piston pin bearings and piston to cylinder wall contact surfaces, require oil mixed with the gasoline for lubrication.

Failure to add oil to the gasoline or failure to mix oil with the gasoline at the appropriate ratio will cause major engine damage which will void your warranty.

For your fuel premix, only use a quality oil designed for 2-cycle air cooled engines. Maruyama 50:1 2-cycle Oil is formulated to meet the requirements of high-performance, air-cooled two-cycle engines.

Fuel Mixture

The fuel: oil ratio is 50 parts gasoline to 1 part oil or 50:1.



Note: Never use a mixing ratio less than 50:1 regardless of the oil package mixing instructions. Ratios less the 50:1, (for example, 60:1, 80:1, 100:1), reduce the amount of lubrication to the internal moving parts of the engine and can cause damage.

9. Fill the tank only to within 1/4-1/2 inch (6 mm-13 mm) from the top of the tank. Avoid filling to the top of the tank filler neck.

Fuel Mixture Chart

Gasoline	50:1 2-cycle oil
1 gallon	2.6 oz.
2 gallons	5.2 oz.
5 gallons	12.8 oz.

Mixing Instructions

IMPORTANT: Never mix gasoline and oil directly in the Edger fuel tank.

1. Always mix fuel and oil in a clean container approved for gasoline.
2. Mark the container to identify it as fuel mix for the Edger.
3. Use regular unleaded gasoline and fill the container with half the required amount of gasoline.
4. Pour the correct amount of oil into the container then add the remaining amount of gasoline.
5. Close the container tightly and shake it momentarily to evenly mix the oil and the gasoline before filling the fuel tank on the Edger.
6. When refilling the Edger fuel tank, clean around the fuel tank cap to prevent dirt and debris from entering the tank during cap removal.
7. Always shake the premix fuel container momentarily before filling the fuel tank.
8. Always use a spout or funnel when fueling to reduce fuel spillage.

Starting And Stopping

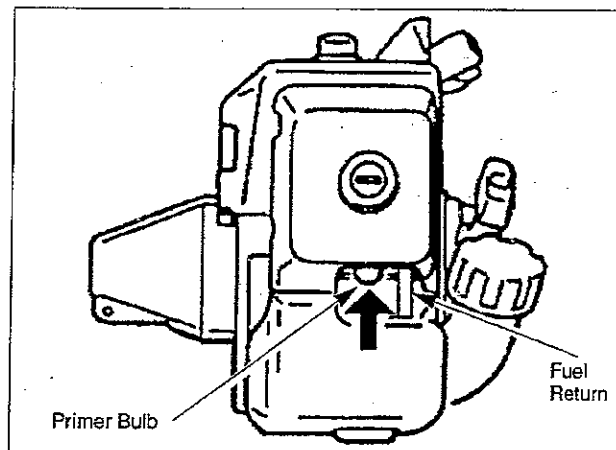
Before Starting The Engine

1. Fill the fuel tank as instructed in the Before Operation section of this manual.
2. Rest the Edger on the ground.
3. Make sure the Edger blade is clear of any broken glass, nails, wire, rocks or other debris.
4. Keep all bystanders, children and animals away from the working area.

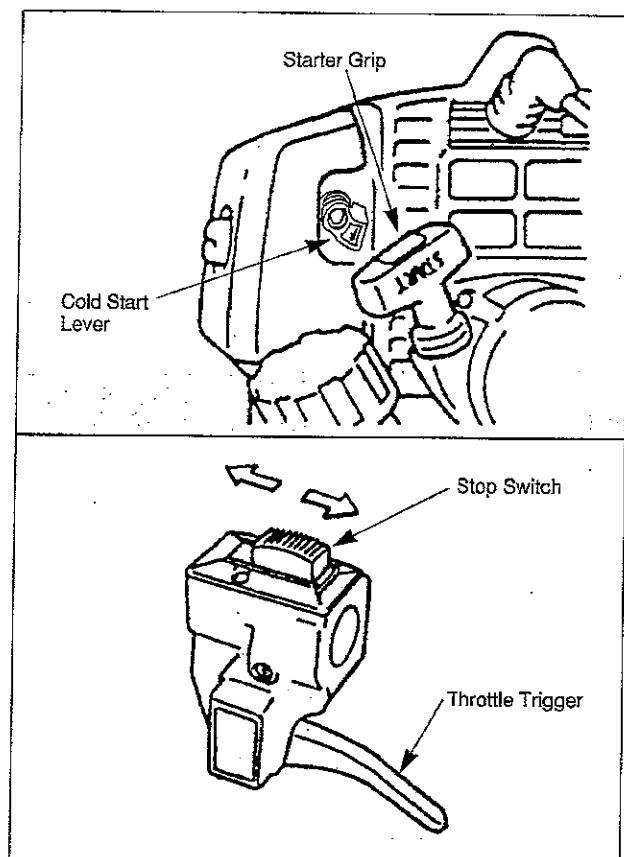
Cold Starting Procedure

This Edger is equipped with a fuel primer and idle start system. To start a "cold" engine properly, perform the following procedure:

1. Pump the primer bulb at the bottom of the carburetor until fuel can be seen flowing through the fuel return line to the fuel tank. (Flowing fuel should be almost clear, not foamy or full of bubbles.)



2. Rotate the cold start lever about a quarter turn clockwise to the locked position. Do not depress the throttle trigger. Depressing the throttle trigger before the engine starts will automatically return the cold start lever to the off position.



3. Set the engine stop switch to the "ON" position. Pull the starter grip until engine starts. Once the engine is running, depress and release the throttle trigger quickly to automatically return the cold start lever to the off position. If the engine stalls before you depress the throttle trigger, depress and release the throttle trigger to return the cold start lever to the off position, then pull the starter grip until the engine starts.

Hot Restart

To start an engine that is already warmed up (hot restart), or if the ambient temperature exceeds 68°F (20°C):

1. Pump the primer bulb at the bottom of the carburetor until fuel can be seen flowing through the fuel return line to the fuel tank.
2. Set the engine stop switch to the "ON" position pull the starter grip until the engine starts.
3. If the engine fails to start after three to four pulls, follow the instruction in the Cold Starting Procedure section above.

If the engine fails to start after you follow the above procedures, contact an authorized Maruyama dealer.

To Stop The Engine:

1. Release the throttle trigger.
2. Slide the stop switch to the "STOP" position.

Idle Speed Adjustment

This Edger is equipped with non-adjustable fuel mixture carburetor. The engine idle speed is the only adjustment for the operator.

⚠ WARNING

POTENTIAL HAZARD

- Engine must be running to make some carburetor adjustments.
- When engine is running, Edger blade is rotating and other parts are moving.

WHAT CAN HAPPEN

- Contact with rotating Edger blade or other moving parts could cause serious personal injury or death.

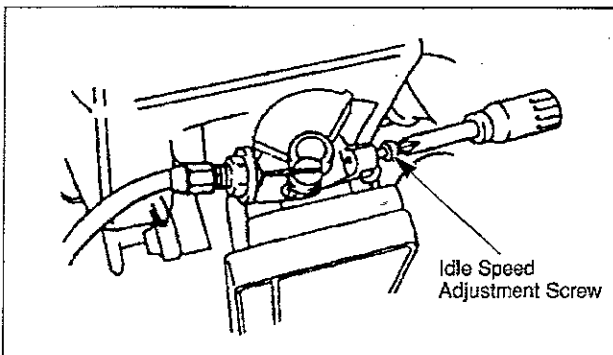
HOW TO AVOID THE HAZARD

- Keep hands, feet and clothing away from Edger blade and other moving parts.
- Keep all bystanders and pets away from unit while making carburetor adjustments.

The Edger blade may be rotating during idle speed adjustment. Wear the recommended personal protective equipment and observe all safety instructions. Keep hands and body away from the Edger blade.

When the throttle trigger is released, the engine should return to an idle speed between 2700 and 3300 RPM, or just below the clutch engagement speed. The Edger blade must not rotate and the engine should not stall (stop running) at engine idle speed.

To adjust the engine idle speed, rotate the idle speed adjustment screw on the carburetor.



- Turn the idle speed screw in (clockwise) to increase the engine idle speed.

- Turn the screw out (counterclockwise) to decrease the engine idle speed.

If idle speed adjustment is necessary, and after adjustment the Edger blade rotates or the engine stalls, stop using the Edger immediately!

Contact your local authorized Maruyama Dealer for assistance and servicing.

Operation

⚠ WARNING

POTENTIAL HAZARD

- Foreign objects can be thrown by Edger.

WHAT CAN HAPPEN

- Contact with thrown objects can cause personal injury.

HOW TO AVOID THE HAZARD

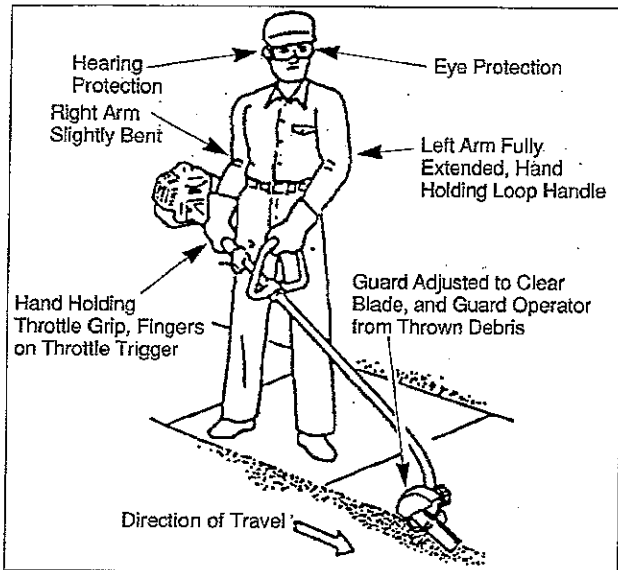
- Never operate the Edger without the blade shield in place.
- Make sure the blade shield is correctly positioned to shield operator from thrown debris.

⚠ CAUTION

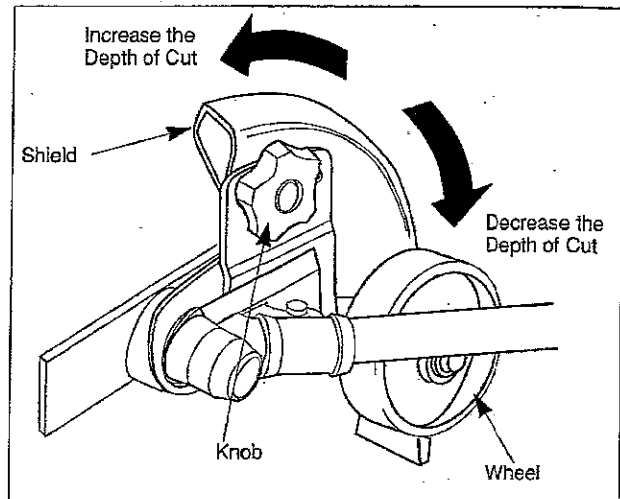
- Read the Safety instructions on page 6 concerning proper use of the Edger.

Operating Position

Before using the Edger, check the following:



1. Make sure the 3 mm hex wrench has been removed from the gearcase and boss adapter before you start the engine.
2. The Edger should be on the operator's right side.
3. The operator's right hand should be holding the shaft grip, with his or her fingers on the throttle trigger. The right arm should be slightly bent.
4. The left hand should be holding the loop handle with the fingers and thumb fully enclosed around the grip. The left arm should be extended. Reposition the loop handle up or down the drive shaft if necessary for a comfortable position.
5. The Edger weight should be evenly distributed between the arms.
6. Adjust the Edger to the correct cutting depth before you start the engine. (Refer to Setting Depth of Cut on page 19.) Make sure the shield is adjusted to shield the operator from thrown debris.



7. Make sure the blade is rotating (at least half throttle) before inserting the blade into the cut. The Edger performs best at full throttle.
8. Always release the throttle trigger and allow the engine to return to idle speed when not cutting.
9. Stop the Edger engine when moving between work sites.

⚠ CAUTION

- Always wear gloves and protective clothing when operating the Edger.
- If the Edger blade becomes jammed, stop the engine immediately.
- Make certain all moving parts have stopped and disconnect the spark plug before inspecting the equipment for damage.
- Never use a Edger that has chipped, cracked or broken Edger blade or blade shield.

Setting Depth of Cut

IMPORTANT: Set the depth of cut before you start the engine.

1. Loosen the knob holding the shield to the plate.
2. Rotate the shield as necessary to set the depth of cut. Note that:
 - Rotating the shield to raise the wheel increases the depth of cut.
 - Rotating the shield to lower the wheel decreases the depth of cut.
3. Make sure the shield is positioned to protect the operator from thrown debris, then tighten the knob.

Maintenance

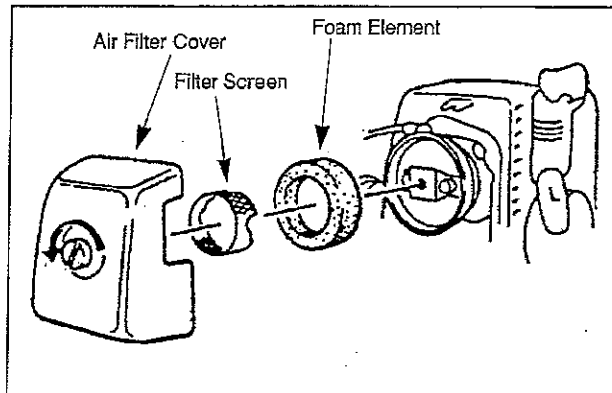
Maintenance, replacement or repair of emission control devices and systems may be performed by any repair establishment or individual; however, warranty repairs must be performed by a dealer or service center authorized by Maruyama Manufacturing Company, Inc. The use of parts that are not equivalent in performance and durability to authorized parts may impair the effectiveness of the emission control system and may have a bearing on the outcome of a warranty claim.

Air Filter

Maintenance Interval

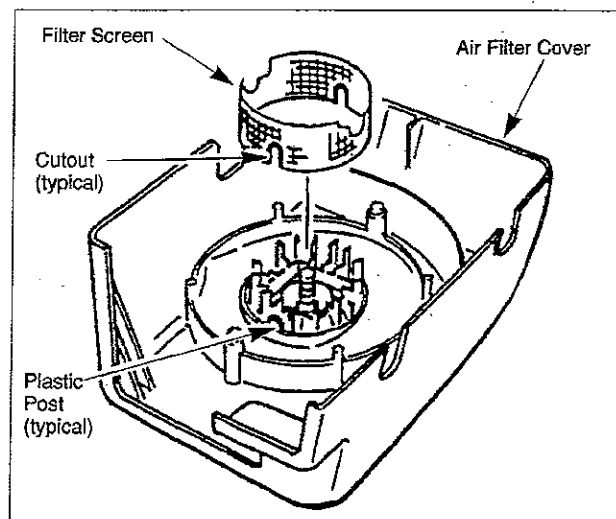
- The air filter should be cleaned **daily**, or more often when working in extremely dusty conditions.
- Replace after every 100 hours of operation.

Air Filter Cleaning



1. Loosen the knob and remove the air filter cover.
2. Remove the foam element and filter screen from the air filter cover.
3. Clean the foam element and filter screen with warm, soapy water. Let the screen and element dry completely.
4. Apply a light coat of SAE 30 motor oil to the foam element and squeeze out all excess oil.
5. Reassemble the filter screen and foam element to the air filter cover.

IMPORTANT: The air filter screen is designed to fit into the air filter cover **ONE WAY ONLY**. Make sure the cutouts in the screen fit onto the matching plastic posts in the air filter cover. The fit should be snug.



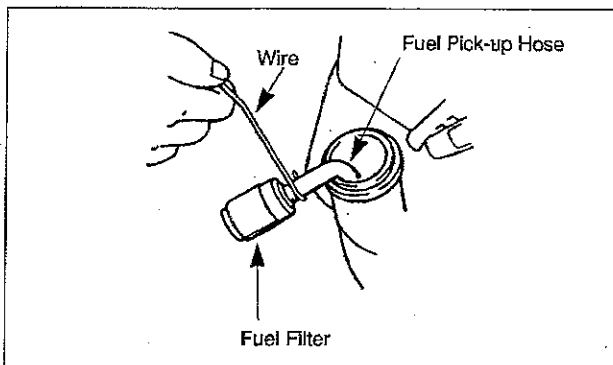
6. Reinstall the air filter cover and tighten the knob.

Fuel Filter

Maintenance Interval

The fuel filter should be replaced after every 100 hours of operation.

Fuel Filter Replacement



The fuel filter is attached to the end of the fuel pick-up hose inside the fuel tank.

To replace the fuel filter:

1. Make sure the fuel tank is empty.
2. Remove the fuel cap.
3. Using a wire hook, gently pull the fuel filter out through the fuel filler opening.
4. Grasp the fuel hose next to the fuel filter fitting and remove the filter, but do not release the hose.
5. While still holding on to the fuel hose, attach the new fuel filter.
6. Drop the new fuel filter back into the fuel tank.
7. Make sure that the fuel filter is not stuck in a corner of the tank, and that the fuel hose is not doubled over (kinked) before refueling.

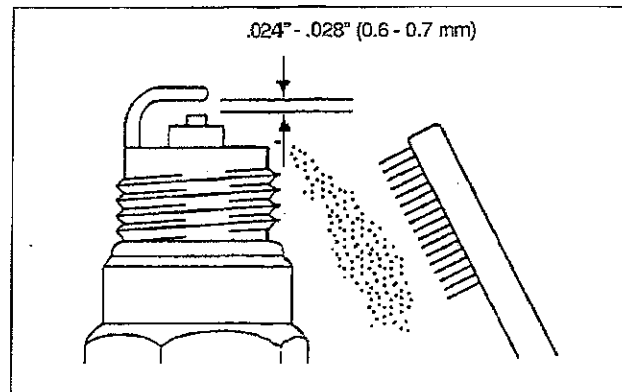
Spark Plug

Maintenance Interval

- The spark plug should be removed from the engine and checked after each 25 hours of operation.
- Replace the spark plug after every 100 hours of operation.

Spark Plug Maintenance

1. Twist the high tension lead boot on the spark plug back and forth a couple of times to loosen the boot, then pull the boot off of the spark plug.
2. Remove the spark plug.



3. Clean the electrodes with a stiff brush.
4. Adjust the electrode air gap to .024-.028 in (0.6-0.7 mm).
5. Replace the spark plug if it is oil-fouled, damaged, or if the electrodes are worn down.
6. Do not overtighten the spark plug when installing. The tightening torque is 95-148 in. lbs. (10.7-16.6 N-m).

Cylinder Cooling Fins

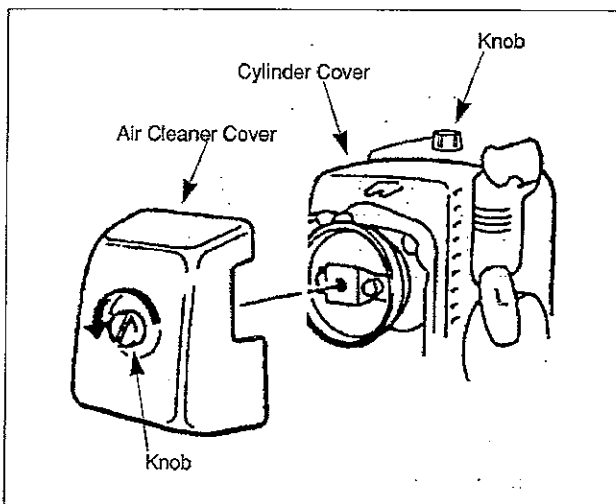
Maintenance Interval

The cylinder cooling fins should be cleaned after every 25 hours of operation, or once a week, whichever comes first.

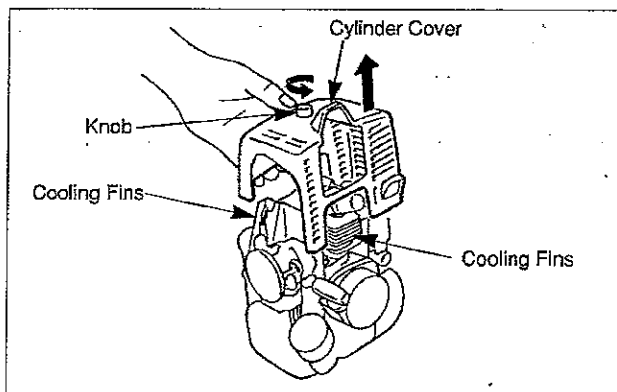
Air must flow freely around and through the cylinder cooling fins to prevent engine overheating. Leaves, grass, dirt and debris buildup on the fins will increase the operating temperature of the engine, which can reduce engine performance and shorten engine life.

Cooling Fin Cleaning

1. With the engine at ambient (room) temperature, loosen the knob and remove the air cleaner cover.



2. Loosen the knob and lift off the cylinder cover.



3. Clean all dirt and debris from the cooling fins and from around the cylinder base.
4. Reinstall the cylinder and air cleaner covers.

Spark Arrester

⚠ WARNING

POTENTIAL HAZARD

- Muffler surface becomes hot when Edger is in operation and remains hot for some time after the engine is shut off.

WHAT CAN HAPPEN

- Contact with hot muffler surfaces could cause a burn.

HOW TO AVOID THE HAZARD

- Make sure the muffler is cool before inspecting and cleaning the spark arrester.

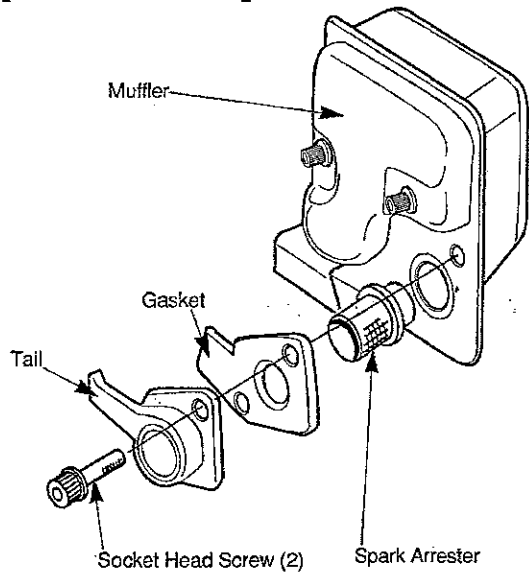
Maintenance Interval

- The spark arrester should be inspected and cleaned after every 25 hours of use.
- Replace the screen if it cannot be thoroughly cleaned, or if it is damaged.

Spark Arrester Maintenance

1. With the engine at ambient (room) temperature, loosen the knob and remove the air cleaner cover.
2. Loosen the knob and lift off the cylinder cover.
3. Remove the two socket head screws holding the spark arrester assembly to the muffler.

[Model: ED2300]



Exhaust Muffler (Model: ED2610)

Maintenance Interval

The muffler should be inspected and cleaned after each 100 hours of use.

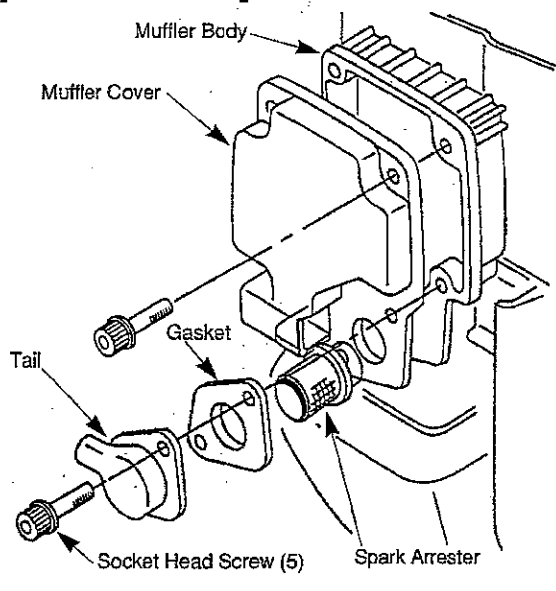
Muffler Maintenance

1. With the engine at ambient (room) temperature, loosen the knob and remove the air cleaner cover.
2. Loosen the knob and lift off the cylinder cover.
3. Remove the two socket head screws holding the spark arrester assembly to the muffler and remove the tail, gasket and spark arrester.
4. Remove the three socket head screws holding the muffler cover to the muffler body and remove the muffler cover.
5. Clean the muffler body and cover with a safety solvent and a stiff brush.

IMPORTANT: Be careful not to allow any dirt or debris to fall into the exhaust ports, as this can cause engine damage.

6. To reassemble the muffler cover to the muffler:
 - A. Apply liquid gasket (p/n 261910) to the muffler cover sealing surfaces, then reinstall the cover onto the muffler body.
 - B. Apply removable Loctite to the three socket head muffler cover screws, then reinstall and tighten the three screws.
7. Reinstall the spark arrester, gasket and tail onto the muffler, then reinstall and tighten the two socket head screws.
8. Reinstall the cylinder and air cleaner covers.

[Model: ED2610]



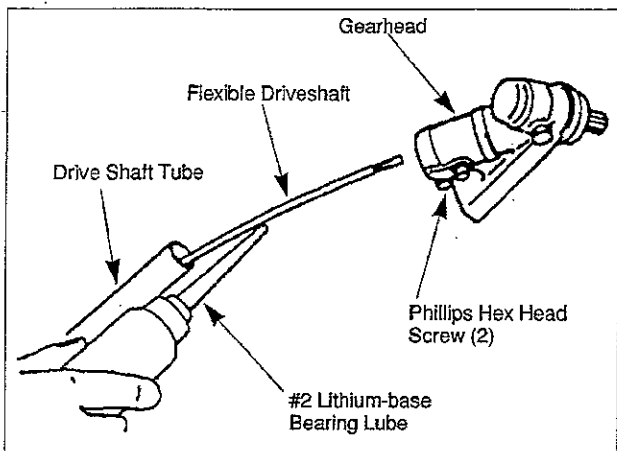
4. Remove and clean the tail, gasket and spark arrester with a safety solvent and a stiff brush. If any part cannot be thoroughly cleaned, it must be replaced.
5. Reinstall the spark arrester, gasket and tail onto the muffler, then reinstall and tighten the two socket head screws.
6. Reinstall the cylinder and air cleaner covers.

Flexible Drive Shaft Maintenance

Maintenance Interval

The Edger uses a flexible drive shaft inside the drive shaft tube. The flexible drive shaft should be lubricated after each 30 hours of use.

Flexible Drive Shaft Lubrication



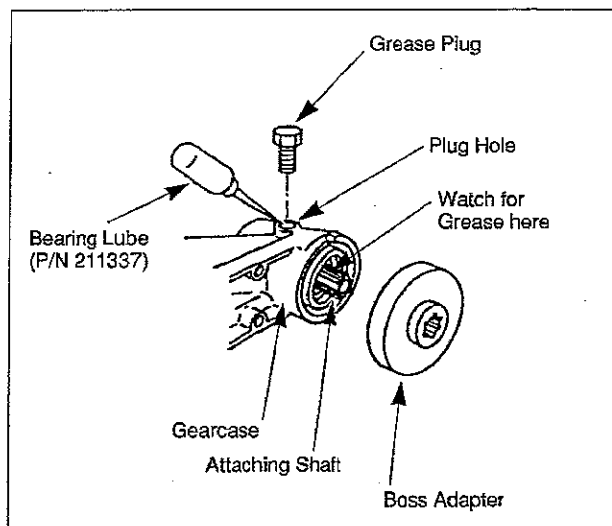
1. Loosen the two Phillips hex head screws holding the gearcase to the drive shaft tube and carefully remove the gearcase from the drive shaft tube.
2. Grip the end of the flexible drive shaft and remove it from the drive shaft tube.
3. Lubricate the flexible drive shaft with a high quality #2 lithium-base bearing lube.
4. Reinstall the flexible drive shaft into the drive shaft tube. Twist the flexible drive shaft as you insert it into the to ensure that it seats into the clutch drum.
5. Reinstall the gearcase onto the drive shaft tube, then tighten the two Phillips hex head screws.

Gearcase Maintenance

Maintenance Interval

The gearcase should be checked for lubrication after each 30 hours of use.

Gearcase Lubrication



Remove the cutting attachment and the boss adapter. Clean any dirt and debris from the area between the boss adapter and the gearcase. Remove the grease plug from the side of the gearcase. While rotating the attaching shaft, inject lithium-base bearing lube (P/N 211337) through the plug hole until the gearcase is full. Reinstall the boss adapter and grease plug.

General Cleaning and Tightening

⚠ WARNING

POTENTIAL HAZARD

- When engine is running, cutting blade is rotating and other parts are moving.

WHAT CAN HAPPEN

- Contact with rotating cutting blade or other moving parts could cause serious personal injury or death.

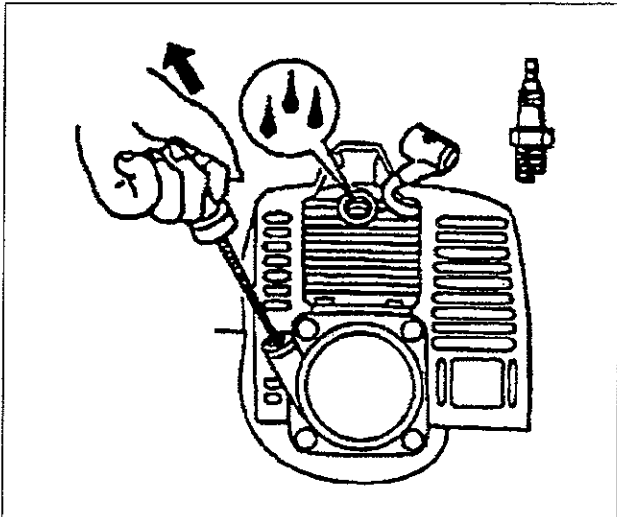
HOW TO AVOID THE HAZARD

- Always turn off your Edger before you clean or perform any maintenance on it.

The Maruyama Edger will provide maximum performance for many, many hours if it is maintained properly. Good maintenance includes regular checking of all fasteners for correct tightness, and cleaning the entire machine.

Storage

For long term storage of the Edger:



1. Empty the fuel tank into a suitable fuel storage container.

2. Pump the primer bulb on the carburetor until all fuel is discharged through the clear fuel return hose.
3. Run the engine to remove any fuel that may remain in the carburetor.
4. Perform all regular maintenance procedures and any needed repairs.

⚠ CAUTION

POTENTIAL HAZARD

- Oil may squirt out of the spark plug opening when you pull the starter grip.

WHAT CAN HAPPEN

- Oil can cause eye injuries.

HOW TO AVOID THE HAZARD

- Protect your eyes and keep your face away from the spark plug opening.

5. Remove the spark plug and squirt a very small amount of oil into the cylinder.
6. Pull the starter grip once.
7. Slowly pull the starter grip to bring the piston to the top of the cylinder (TDC).
8. Reinstall the spark plug.
9. Store the Edger in a dry place away from excessive heat, sparks or open flame.

Troubleshooting

Problem	Cause	Action
Engine Will Not Start	STOP switch set to off position Empty fuel tank Primer bulb wasn't pushed enough Engine flooded	Move switch to on position Fill fuel tank Press primer bulb until fuel flows through fuel return line Use warm engine starting procedure
Engine Will Not Idle	Idle speed set incorrectly	Set idle speed
Engine Lacks Power or Stalls When Cutting	Throttle wire has come loose Dirty air filter	Tighten throttle wire Clean or replace air filter

If further assistance is required, contact your local authorized Maruyama service dealer.

Specifications

	ED2300	ED2610
Weight	14.1 lbs. (6.4 kg)	15.1 lbs. (6.8 kg)
Engine Displacement	22.5 cc	25.4 cc
Anti Vibration	Grip	
Shaft	Curved full support	
Blade Type	8" spring steel	
Carburetor	Walbro Diaphragm Type	
Ignition System	Solid State	
Fuel Tank Capacity	0.53 qts	0.85 qts.
Gas to Oil Ratio	50:1	
Spark Plug	NGK BPM6Y	
Spark Plug Gap	.024 -.028 in (0.6 - 0.7 mm)	
CARB Approved	yes	