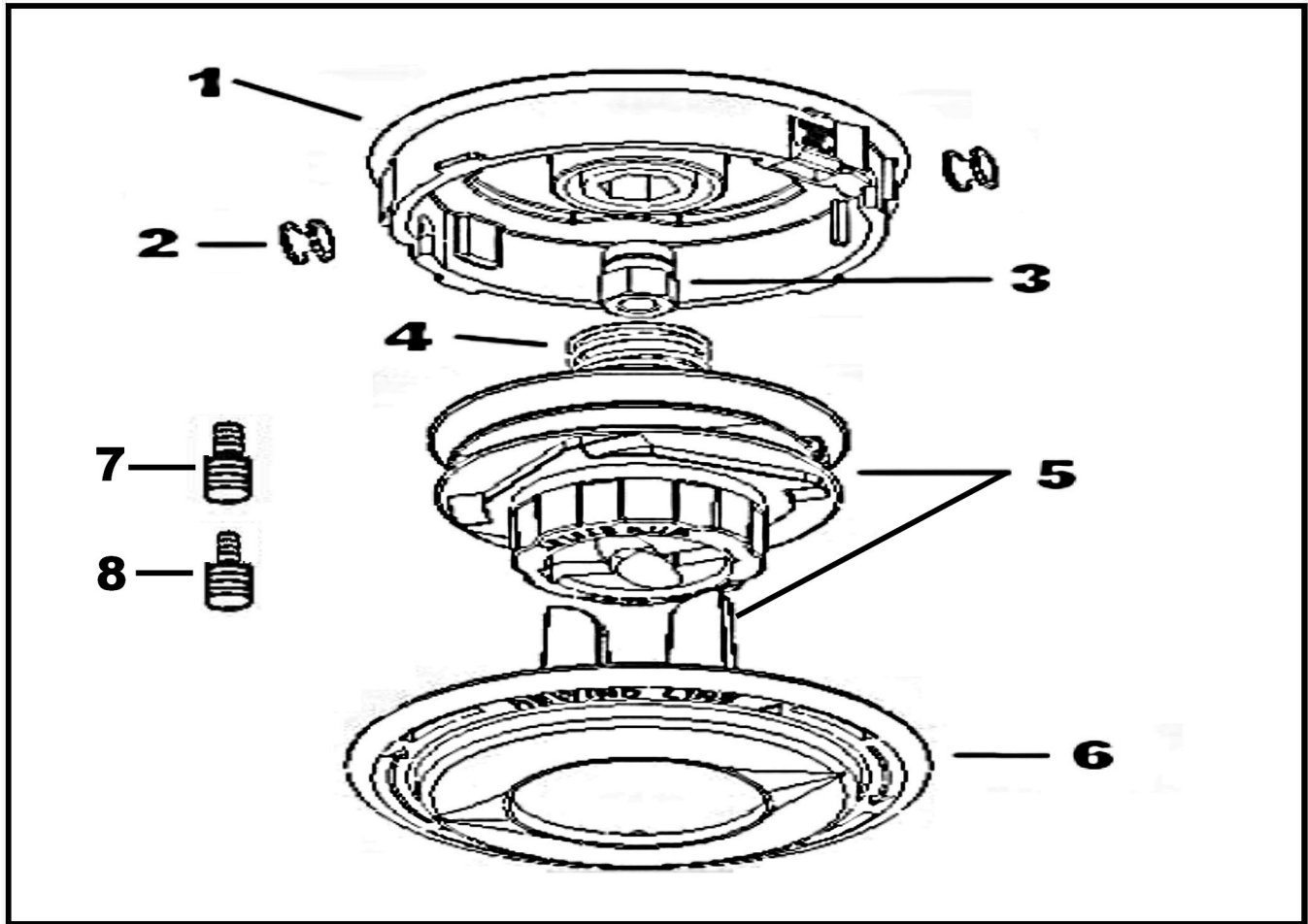


ILLUSTRATED PARTS LIST

**KATANA EZ TRIMMER HEAD
#840867 CLAMSHELL PKG**

4" TRIMMER HEAD ASSEMBLY



ITEM	DESCRIPTION	PART#
1	Housing	841207
2	Eyelet	841208
3	Shaft Bolt (10mm LHF)	841202
4	Spring	841210
5	Spool (Line Guides Included)	841211
6	Cover	841213
7	Adapter Bolt (8mm x 1.25)	841219
8	Adapter Bolt (7mm x 1.00)	841220