

PARTS LIST

MS415EC-X

CONTENTS

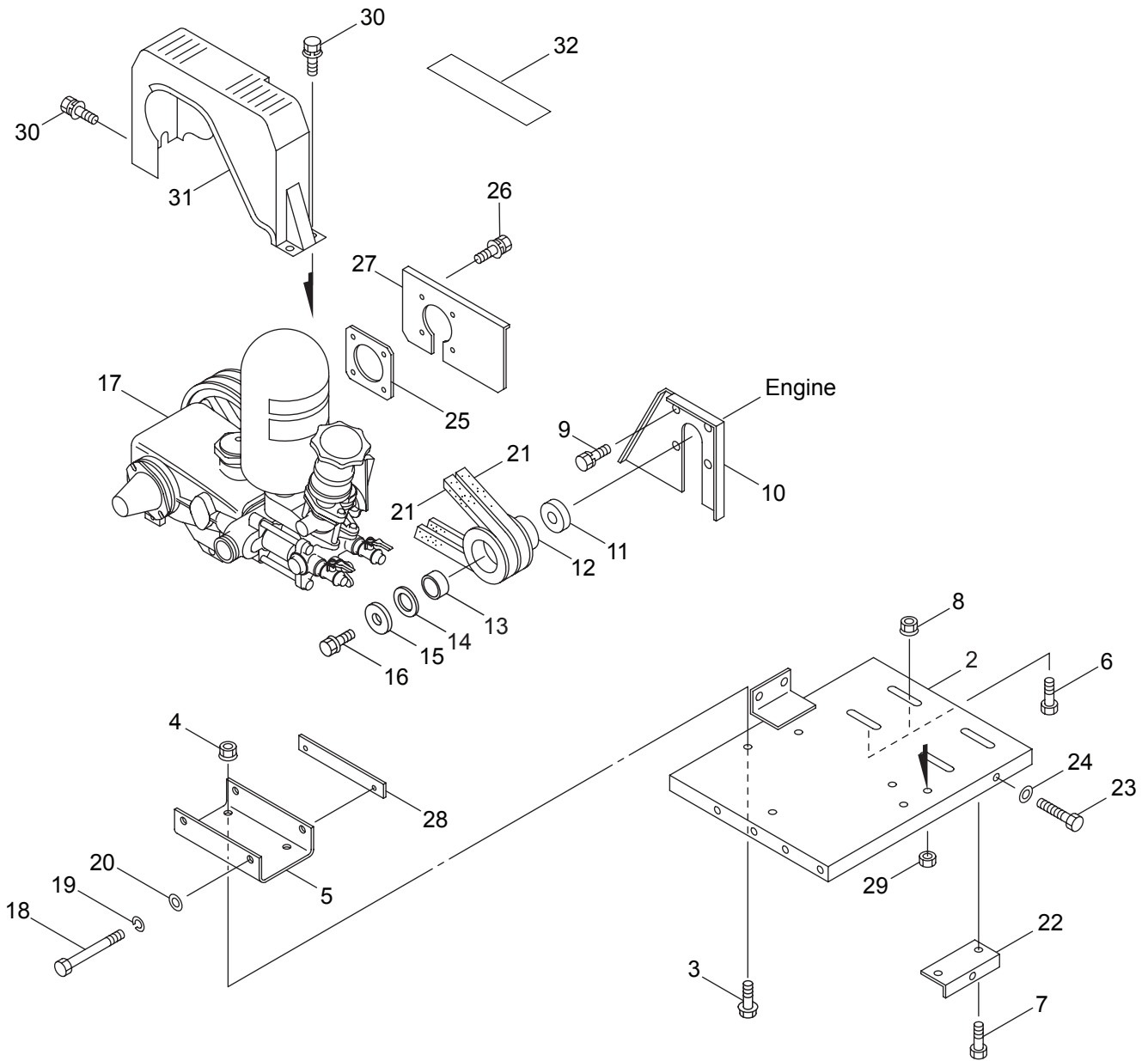
| | |
|---|---------|
| 1. MAIN BODY | 1 ~ 2 |
| 2. POWER SPRAYER (Crankcase, Suction Valve)..... | 3 ~ 6 |
| 3. POWER SPRAYER (Pressure Regulator Valve) | 7 ~ 10 |
| 4. ACCESSORIES | 11 ~ 12 |

2013. 01.



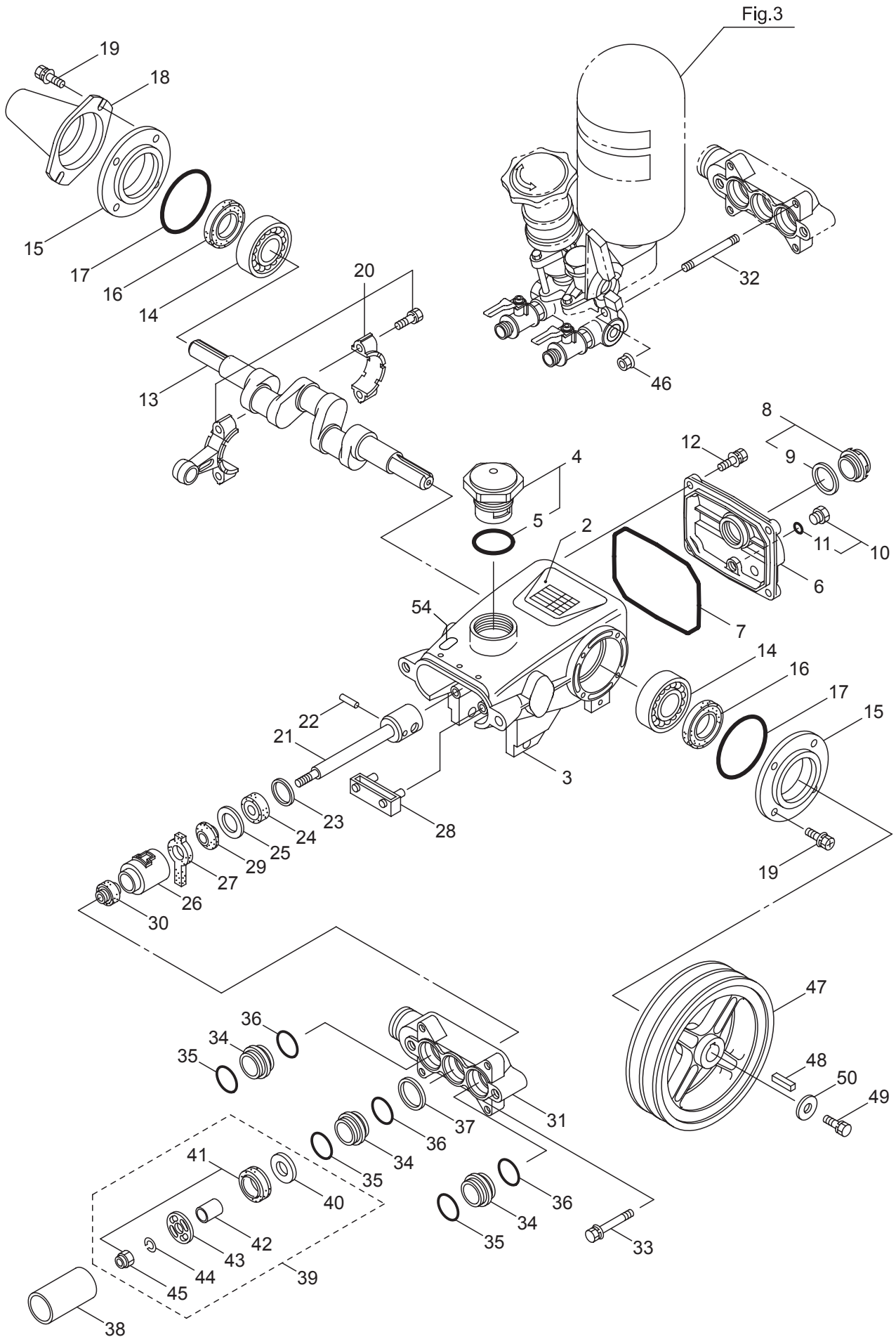
P/N 523548

1. MS415EC-X
MAIN BODY



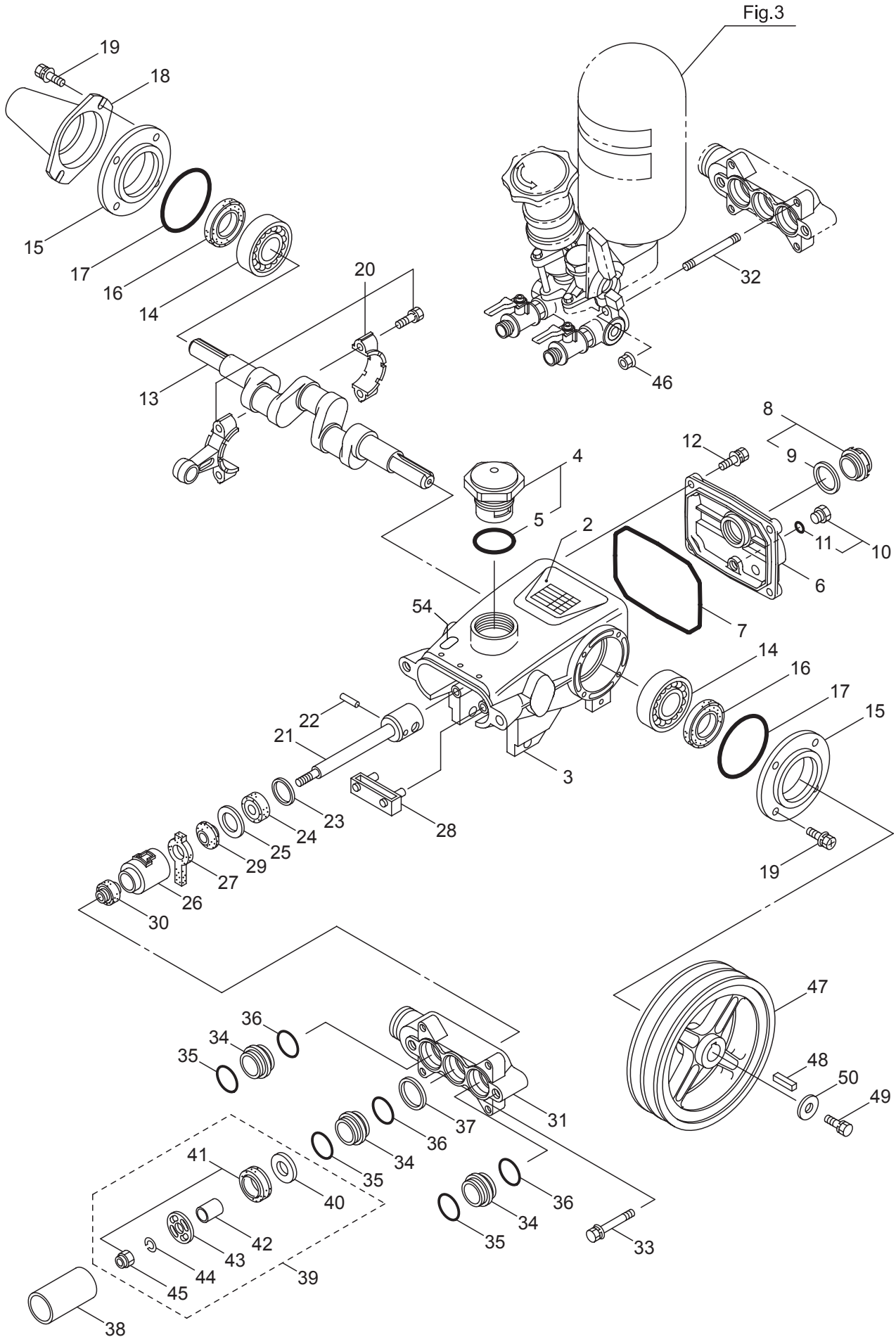
| Ref. No. | Part No. | Part Name | Q'ty | Remarks |
|----------|----------|---------------|------|------------|
| 1-1 | 358398 | MS415EC-X | 1 | |
| 1-2 | 541729 | Base | 1 | |
| 1-3 | 092528 | Bolt | 2 | M8x20 |
| 1-4 | 126201 | Nut | 2 | M8 |
| 1-5 | 540525 | Rail | 1 | |
| 1-6 | 549532 | Bolt | 2 | M8x35 |
| 1-7 | 549533 | Bolt | 2 | M8x40 |
| 1-8 | 126201 | Nut | 4 | M8 |
| 1-9 | 549760 | Bolt | 4 | M8x12 |
| 1-10 | 543574 | Stay | 1 | |
| 1-11 | 549759 | Collar | 1 | 20x27.2x10 |
| 1-12 | 543573 | V-Pulley | 1 | 4-Ax2 |
| 1-13 | 549758 | Collar | 1 | 25x34x10L |
| 1-14 | 126577 | Washer | 1 | M20 |
| 1-15 | 090116 | Washer | 1 | 8.5x34x3.2 |
| 1-16 | 126258 | Bolt | 1 | M8x20 |
| 1-17 | 818484 | Power Sprayer | 1 | MS415 |
| 1-18 | 126200 | Bolt | 2 | M8x115x30 |
| 1-19 | 126232 | Spring Washer | 2 | M8 |
| 1-20 | 127216 | Washer | 2 | M8 |
| 1-21 | 106384 | V-Belt | 2 | A26 |
| 1-22 | 549761 | Stay | 1 | |
| 1-23 | 549754 | Bolt | 1 | M8x60 |
| 1-24 | 127216 | Washer | 1 | M8 |
| 1-25 | 549762 | Plate | 1 | |
| 1-26 | 126541 | Bolt | 4 | M6x20 |
| 1-27 | 543575 | Stay | 1 | |
| 1-28 | 549784 | Plate Nut | 1 | M8 |
| 1-29 | 126756 | Nut | 2 | M6 |
| 1-30 | 092501 | Bolt | 4 | M6x16 |
| 1-31 | 111218 | Belt Cover | 1 | |
| 1-32 | 542232 | Label | 1 | MARUYAMA |

2. MS415EC-X
POWER SPRAYER (Crankcase, Suction Valve)



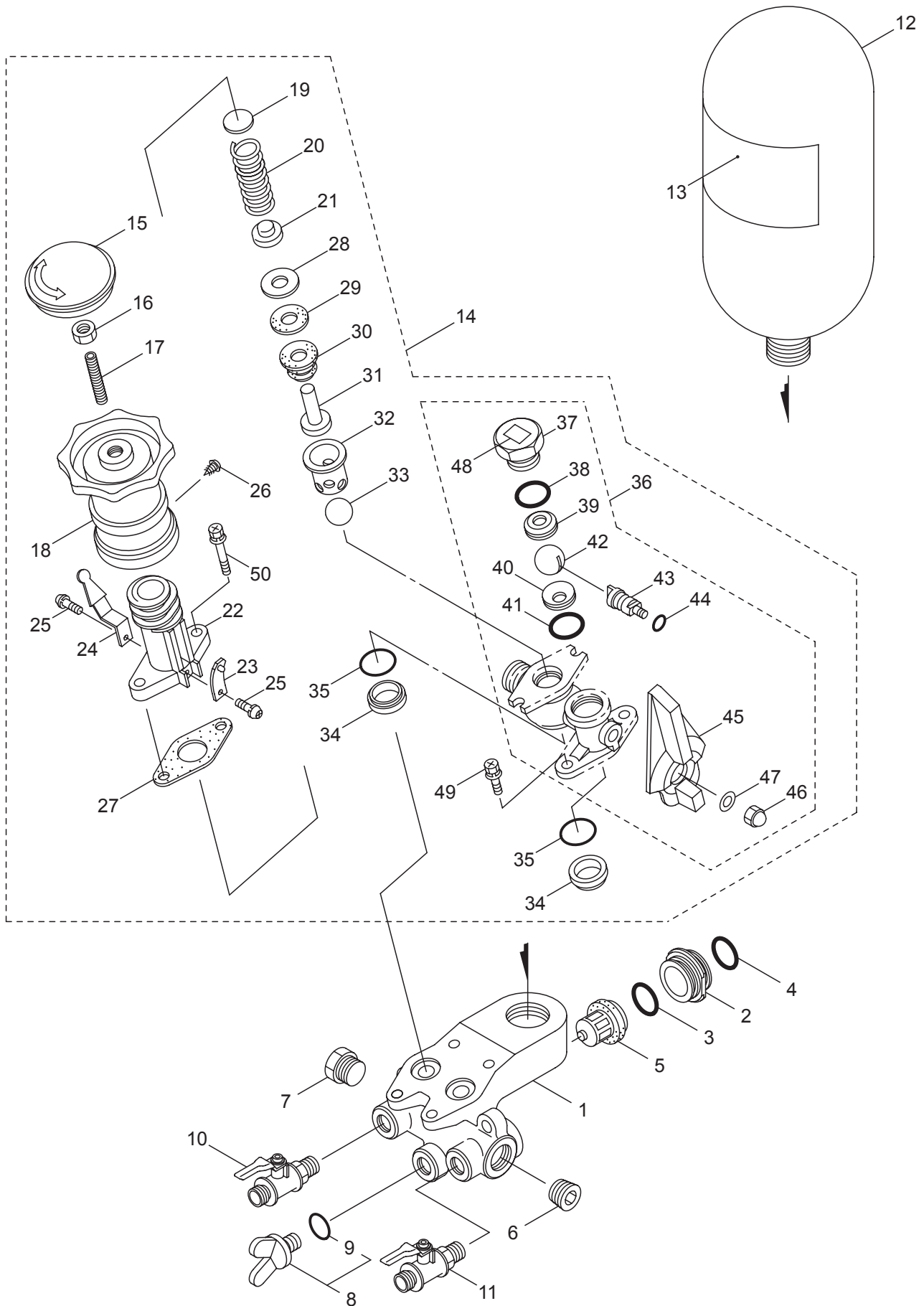
| Ref. No. | Part No. | Part Name | Q'ty | Remarks |
|----------|----------|-----------------------|------|---------------|
| 2-1 | 818484 | Power Sprayer | 1 | MS415 |
| 2-2 | 130462 | Label | 1 | MS415 |
| 2-3 | 130441 | Crankcase | 1 | |
| 2-4 | 091264 | Oil Filler Cap | 1 | Incl.9 |
| 2-5 | 014177 | O-Ring | 1 | P35 |
| 2-6 | 130444 | Rear Cover, Crankcase | 1 | |
| 2-7 | 048773 | O-Ring | 1 | 119x96x2.0 |
| 2-8 | 092241 | Oil Gauge Ass'y | 1 | Incl.9 |
| 2-9 | 044428 | Packing | 1 | 25x34xt2.5 |
| 2-10 | 091376 | Drain Plug | 1 | Incl.10, G1/4 |
| 2-11 | 023170 | O-Ring | 1 | P12.5 |
| 2-12 | 125824 | Bolt | 4 | M6x16 |
| 2-13 | 103921 | Crankshaft | 1 | |
| 2-14 | 014487 | Bearing | 2 | #6304 |
| 2-15 | 130446 | Oil Seal Case | 2 | |
| 2-16 | 024159 | Oil Seal | 2 | D204010 |
| 2-17 | 026536 | O-Ring | 2 | 51.8x1.5 |
| 2-18 | 025130 | Shaft Protector | 1 | |
| 2-19 | 125824 | Bolt | 8 | M6x16 |
| 2-20 | 048734 | Connecting Rod Ass'y | 3 | |
| 2-21 | 120827 | Piston Rod | 3 | |
| 2-22 | 016948 | Piston Pin | 3 | 9x22L |
| 2-23 | 126259 | Washer | 3 | 17x24xT1.2 |
| 2-24 | 025461 | Oil Seal | 3 | S10.5247 |
| 2-25 | 126189 | Washer | 3 | 20x28xT1.2 |
| 2-26 | 027710 | Seal Retainer | 3 | |
| 2-27 | 130515 | Felt Packing | 3 | |
| 2-28 | 027712 | Oil Pan | 1 | |
| 2-29 | 026853 | Packing | 3 | |
| 2-30 | 100015 | Seal | 3 | |
| 2-31 | 105507 | Inlet Manifold | 1 | |
| 2-32 | 130492 | Stud | 4 | M8x110x11x18 |
| 2-33 | 128352 | Bolt | 2 | M8X45 |
| 2-34 | 130534 | Adapter | 3 | |
| 2-35 | 015862 | O-Ring | 3 | P21 |
| 2-36 | 023172 | O-Ring | 3 | P22 |
| 2-37 | 105508 | Packing | 1 | 26x28.5xt0.5 |
| 2-38 | 108065 | Cylinder Pipe | 3 | 25x28.5x55L |
| 2-39 | 632583 | Inlet Valve Ass'y | 3 | Incl.40-45 |
| 2-40 | 014122 | Inlet Valva Seat | 3 | 6.1x20xt2.8 |
| 2-41 | 632586 | Piston Packing Set | 3 | Incl.45 |
| 2-42 | 027499 | Spacer | 3 | 6x8.5x10L |
| 2-43 | 119917 | Retainer, Piston | 3 | |
| 2-44 | 015849 | Spring Washer | 3 | M6 |
| 2-45 | 046365 | Nylon Nut | 3 | M6 |

2. MS415EC-X
POWER SPRAYER (Crankcase, Suction Valve)



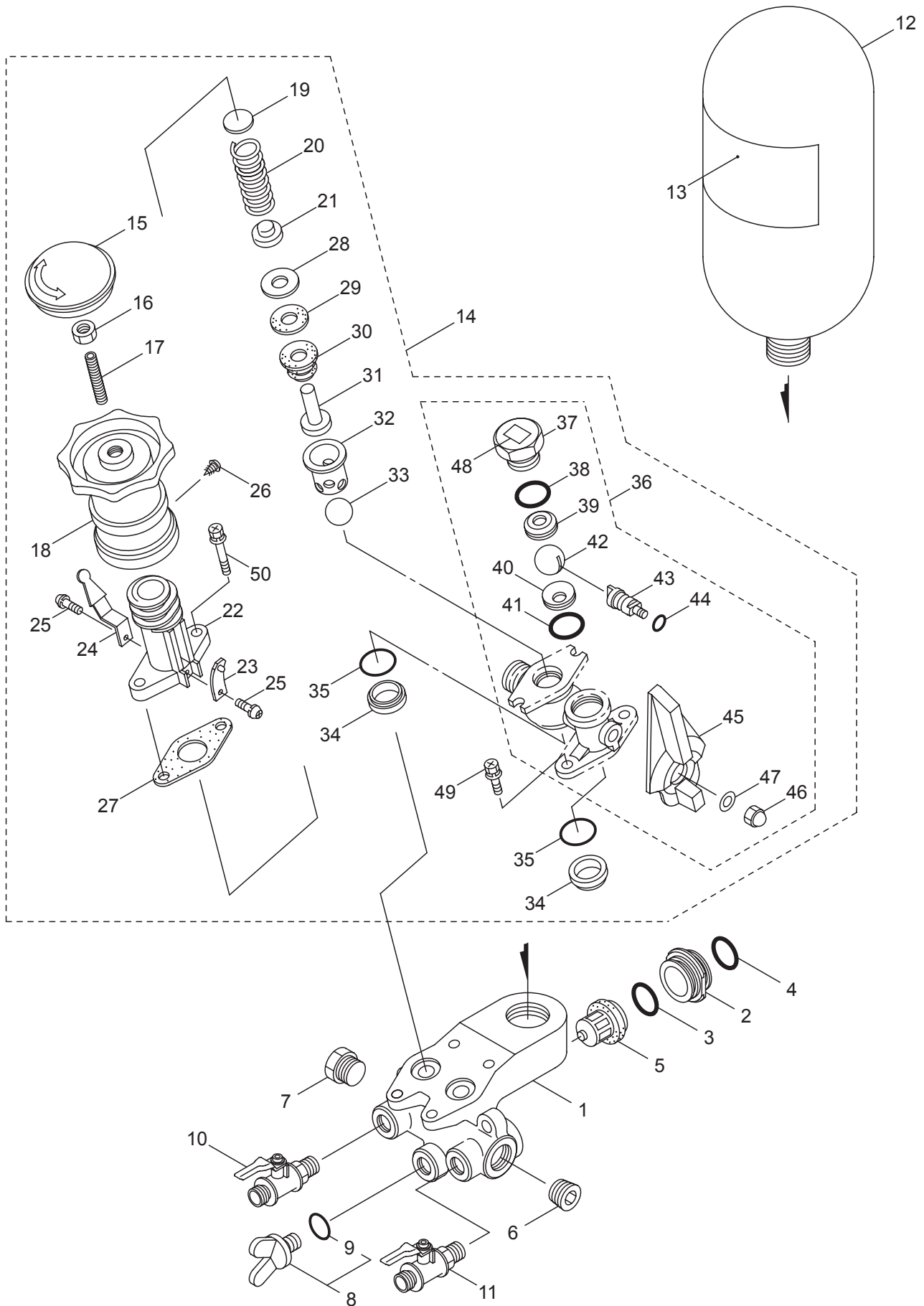
| Ref. No. | Part No. | Part Name | Q'ty | Remarks |
|----------|----------|-----------|------|-------------|
| 2-46 | 126201 | Nut | 4 | M8 |
| 2-47 | 100837 | V-Pulley | 1 | 152-Ax2 |
| 2-48 | 014543 | Key | 1 | 5x5x25L |
| 2-49 | 126258 | Bolt | 1 | M8x20 |
| 2-50 | 126198 | Washer | 1 | 8.5x30xT3.2 |
| 2-54 | 102167 | Label | 1 | |

3. MS415EC-X
POWER SPRAYER (Pressure Regulator Valve)



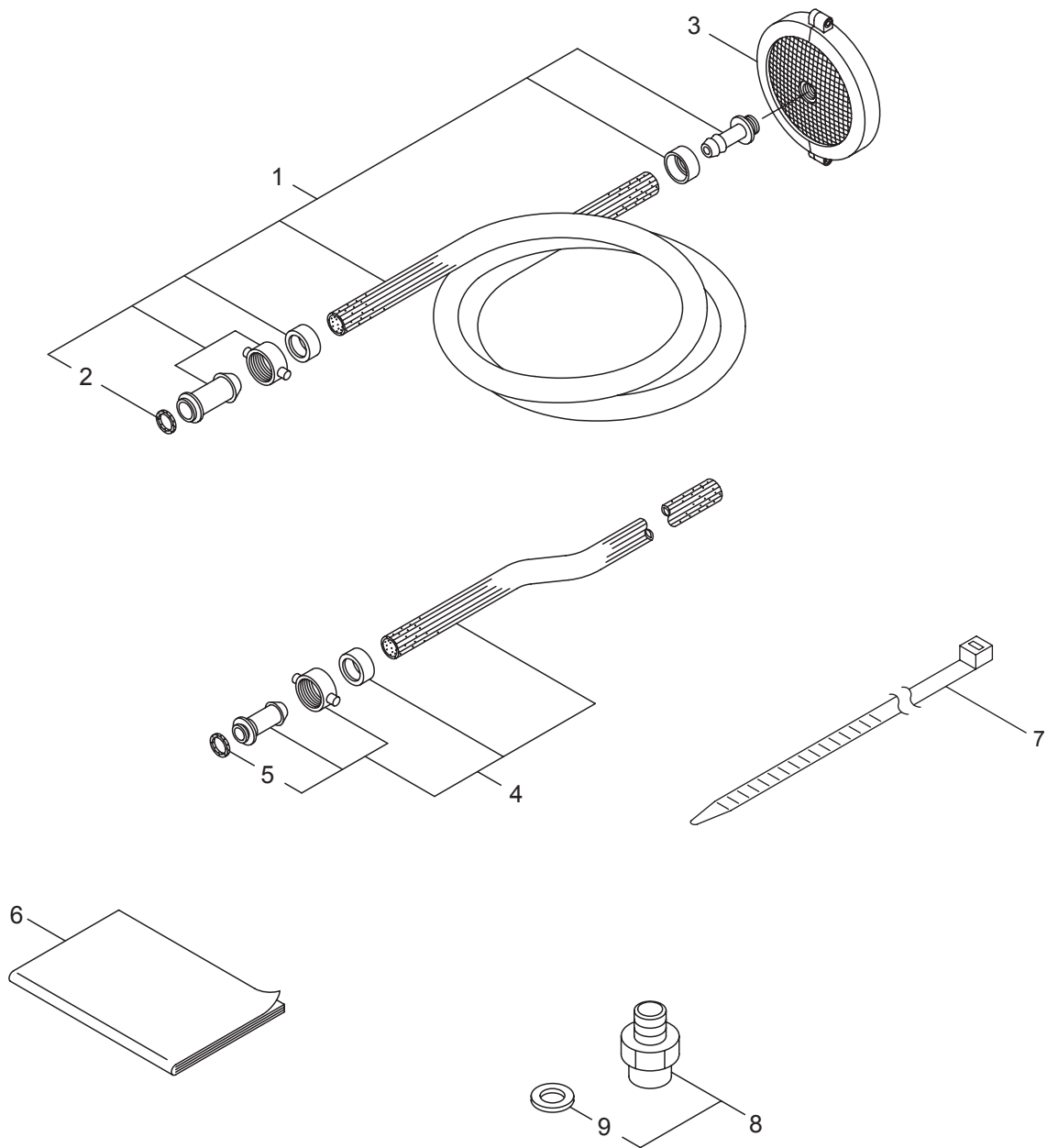
| Ref. No. | Part No. | Part Name | Q'ty | Remarks |
|----------|----------|--------------------------------|------|-----------------|
| 3-1 | 120831 | Discharge Manifold | 1 | |
| 3-2 | 130537 | Adapter | 3 | |
| 3-3 | 023172 | O-Ring | 3 | P22 |
| 3-4 | 015862 | O-Ring | 3 | P21 |
| 3-5 | 120276 | Discharge Valve Ass'y | 3 | |
| 3-6 | 130448 | Plug | 1 | R1/2 |
| 3-7 | 108368 | Plug | 1 | R1/2 |
| 3-8 | 811243 | Plug Ass'y | 1 | Incl.9 G1/4 |
| 3-9 | 023170 | O-Ring | 1 | P12.5 |
| 3-10 | 120834 | Cock Ass'y | 1 | G1/4xR1/4 |
| 3-11 | 120835 | Cock Ass'y | 1 | G3/8xR3/8 |
| 3-12 | 130548 | Air Chamber | 1 | |
| 3-13 | 130513 | Label | 1 | |
| 3-14 | 130453 | Pressure Regulator Valve Ass'y | 1 | Incl.15-50 |
| 3-15 | 130454 | Cap | 1 | |
| 3-16 | 126195 | Nut | 1 | M10 |
| 3-17 | 088975 | Screw | 1 | M10x48 |
| 3-18 | 130455 | Grip | 1 | |
| 3-19 | 126196 | Retainer | 1 | 17x2.3 |
| 3-20 | 105520 | Spring | 1 | |
| 3-21 | 105521 | Retainer | 1 | |
| 3-22 | 105522 | Case | 1 | |
| 3-23 | 108474 | Plate Spring | 1 | |
| 3-24 | 105524 | Indicator | 1 | |
| 3-25 | 816018 | Screw | 2 | M4x0.7x8 |
| 3-26 | 089899 | Tapping Screw | 1 | M4x13 |
| 3-27 | 105527 | Packing | 1 | |
| 3-28 | 012255 | Washer | 1 | 6.2x22xt0.6 |
| 3-29 | 016972 | Bellows Packing | 1 | 5x22xt1.5 |
| 3-30 | 011451 | Bellows | 1 | |
| 3-31 | 124188 | Valve Rod | 1 | |
| 3-32 | 109026 | Retainer | 1 | Stainless steel |
| 3-33 | 107238 | Valve Ball | 1 | 12.7(1/2) |
| 3-34 | 020971 | Valve Seat | 2 | 10x20xt6.5 |
| 3-35 | 014179 | O-Ring | 2 | P20 |
| 3-36 | 121014 | By-pass Valve Ass'y | 1 | Incl.37-48 |
| 3-37 | 121689 | Ball Retainer | 1 | |
| 3-38 | 013971 | O-Ring | 1 | S20 |
| 3-39 | 121690 | Valve Seat | 1 | |
| 3-40 | 121691 | Valve Seat | 1 | |
| 3-41 | 013967 | O-Ring | 1 | S14 |
| 3-42 | 120840 | Ball Valve | 1 | |
| 3-43 | 120841 | Ball Retainer | 1 | |
| 3-44 | 013918 | O-Ring | 1 | S5 |
| 3-45 | 121007 | Handle | 1 | |

3. MS415EC-X
POWER SPRAYER (Pressure Regulator Valve)



| Ref. No. | Part No. | Part Name | Q'ty | Remarks |
|----------|----------|-----------|------|------------|
| 3-46 | 100166 | Nut | 1 | M5 |
| 3-47 | 012487 | Washer | 1 | M5 |
| 3-48 | 108355 | Label | 1 | Arrow mark |
| 3-49 | 092542 | Bolt | 2 | M6x20 |
| 3-50 | 120843 | Bolt | 2 | M6x55x20 |

4. MS415EC-X
ACCESSORIES



| Ref. No. | Part No. | Part Name | Q'ty | Remarks |
|----------|----------|------------------------|------|------------------|
| 4-1 | 105936 | Suction Hose Ass'y | 1 | Incl.2 |
| 4-2 | 103686 | Packing | 1 | 18.5x24xt2 |
| 4-3 | 122017 | Suction Strainer Ass'y | 1 | |
| 4-4 | 104344 | Spill Hose Ass'y | 1 | Incl.5 |
| 4-5 | 103685 | Packing | 1 | 12x18.5xt1.5 |
| 4-6 | 131139 | Instruction Manual | 1 | |
| 4-7 | 107107 | Band | 1 | |
| 4-8 | 811343 | Extension Ass'y | 1 | Incl.9 G3/8xG1/4 |
| 4-9 | 011205 | Packing | 1 | 11.5x16.5xt1.5 |