

# PARTS LIST

## MS415, MS655

### CONTENTS

#### MS415

- 1. CRANKCASE, SUCTION VALVE ..... 1 ~ 4
- 2. PRESSURE REGULATOR VALVE ..... 5 ~ 8

#### MS655

- 3. CRANKCASE, SUCTION VALVE ..... 9 ~ 12
- 4. PRESSURE REGULATOR VALVE..... 13 ~ 16

#### MS415,MS655

- 5. ACCESSORIES ..... 17 ~ 18

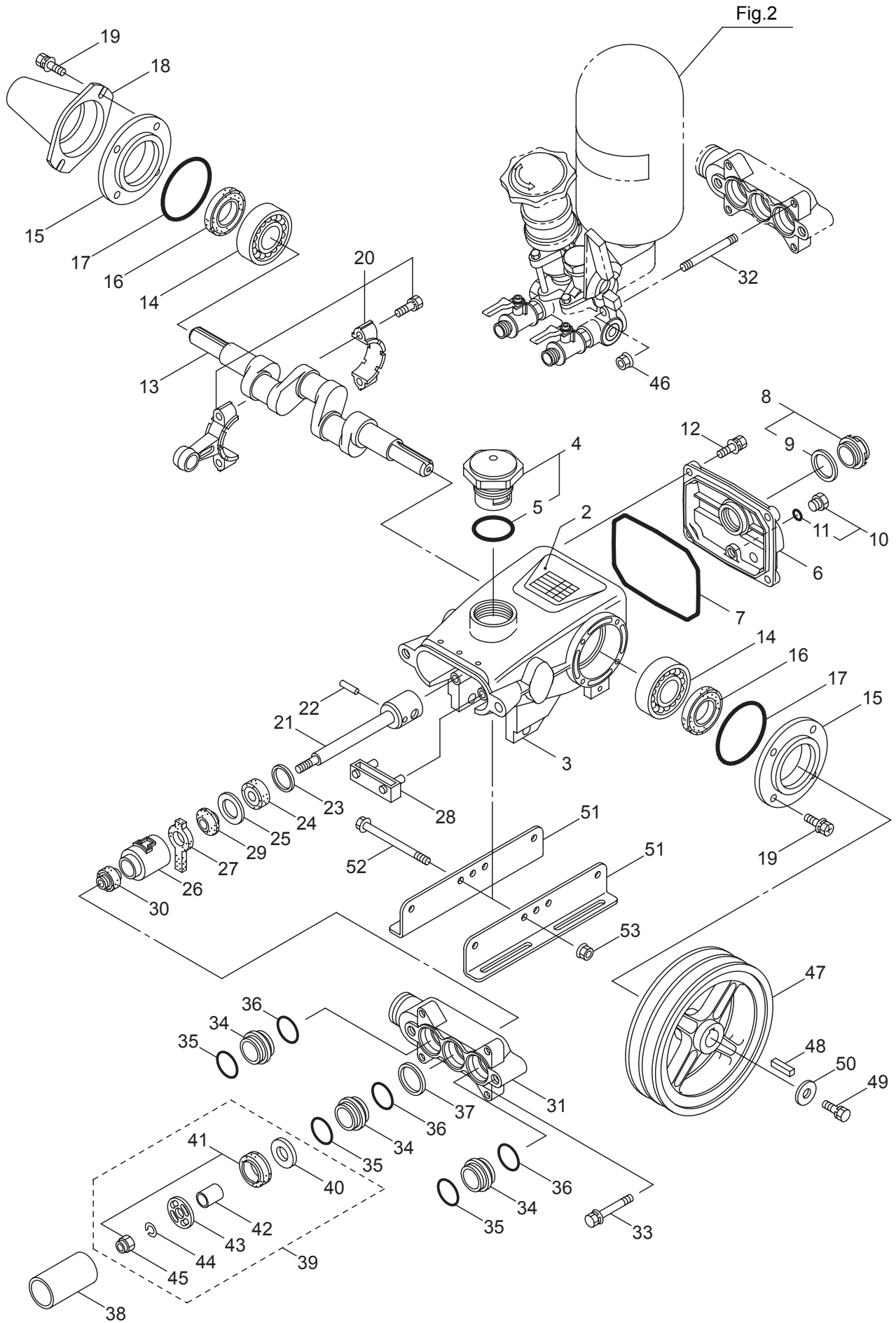
2013. 10.



**MARUYAMA**

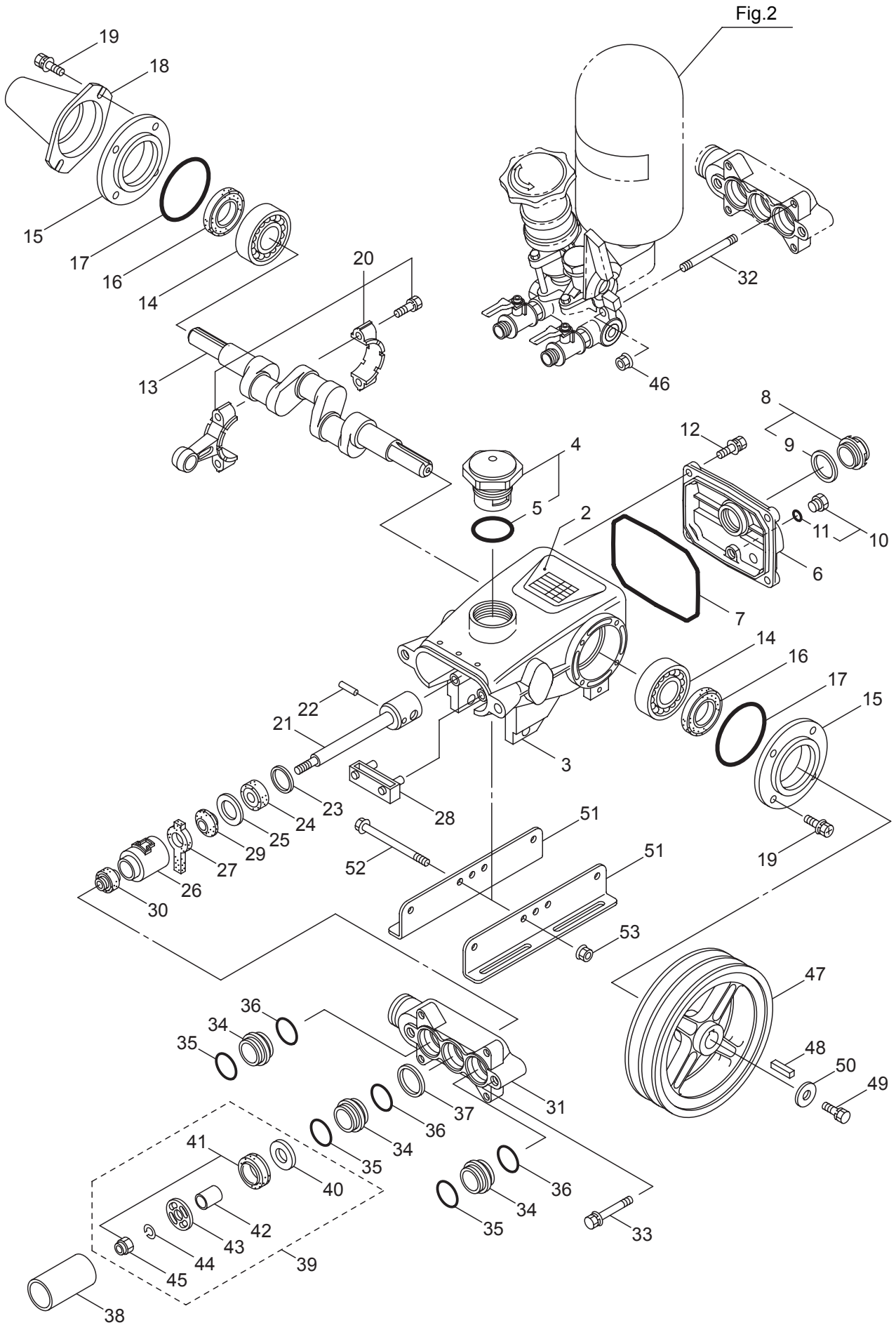
P/N E523299

1. MS415  
CRANKCASE, SUCTION VALVE



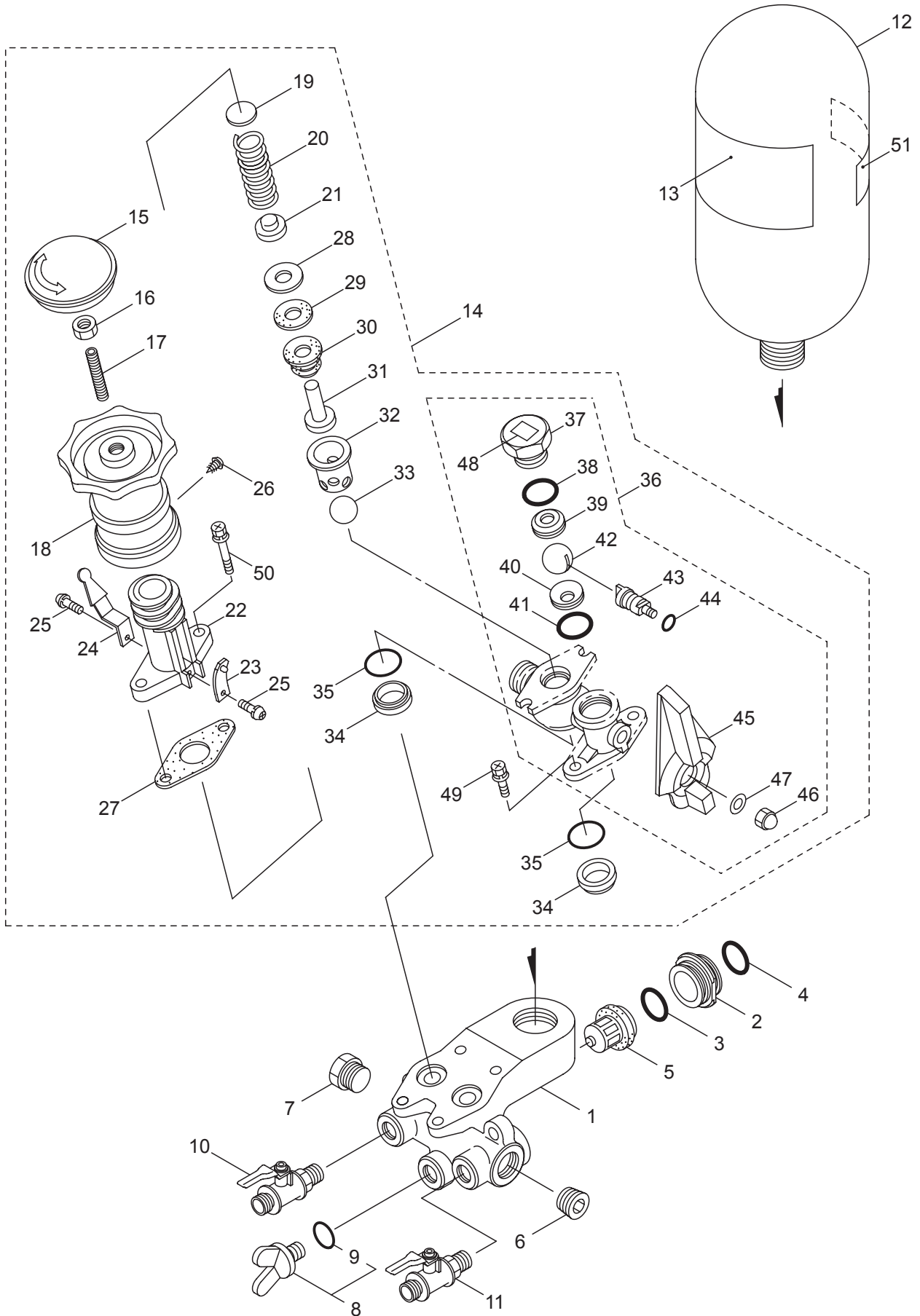
Ref. No.	Part No.	Part Name	Q'ty		Remarks
			A	B	
1-1	354130	MS415	1		
1-2	130462	Label	1		MS415
1-3	130441	Crankcase	1		
1-4	091264	Oil Filler Cap	1		Incl.5
1-5	014177	O-Ring	1		P35
1-6	130444	Rear Cover, Crankcase	1		
1-7	048773	O-Ring	1		119x96x2.0
1-8	092241	Oil Gauge Ass'y	1		Incl.9
1-9	044428	Packing	1		25x34xt2.5
1-10	091376	Drain Plug	1		Incl.11 G1/4
1-11	023170	O-Ring	1		P12.5
1-12	125824	Bolt	4		M6x16
1-13	103921	Crankshaft	1		
1-14	014487	Bearing	2		#6304
1-15	130446	Oil Seal Case	2		
1-16	024159	Oil Seal	2		D204010
1-17	026536	O-Ring	2		51.8x1.5
1-18	025130	Shaft Protector	1		
1-19	125824	Bolt	8		M6x16
1-20	048734	Connecting Rod Ass'y	3		
1-21	120827	Piston Rod	3		
1-22	016948	Piston Pin	3		9x22L
1-23	126259	Washer	3		17x24xT1.2
1-24	025461	Oil Seal	3		S10.5247
1-25	126189	Washer	3		20x28xT1.2
1-26	027710	Seal Retainer	3		
1-27	130515	Felt Packing	3		
1-28	027712	Oil Pan	1		
1-29	026853	Packing	3		
1-30	100015	Seal	3		
1-31	105507	Inlet Manifold	1		
1-32	130492	Stud	4		M8x110x11x18
1-33	128352	Bolt	2		M8X45
1-34	130534	Adapter	3		
1-35	015862	O-Ring	3		P21
1-36	023172	O-Ring	3		P22
1-37	105508	Packing	1		26x28.5xt0.5
1-38	108065	Cylinder Pipe	3		25x28.5x55L
1-39	632583	Inlet Valve Ass'y	3		Incl.40-45
1-40	014122	Inlet Valva Seat	3		6.1x20xt2.8
1-41	632586	Piston Packing Set	3		Incl.45
1-42	027499	Spacer	3		6x8.5x10L
1-43	119917	Retainer, Piston	3		
1-44	015849	Spring Washer	3		M6
1-45	046365	Nylon Nut	3		M6

1. MS415  
CRANKCASE, SUCTION VALVE



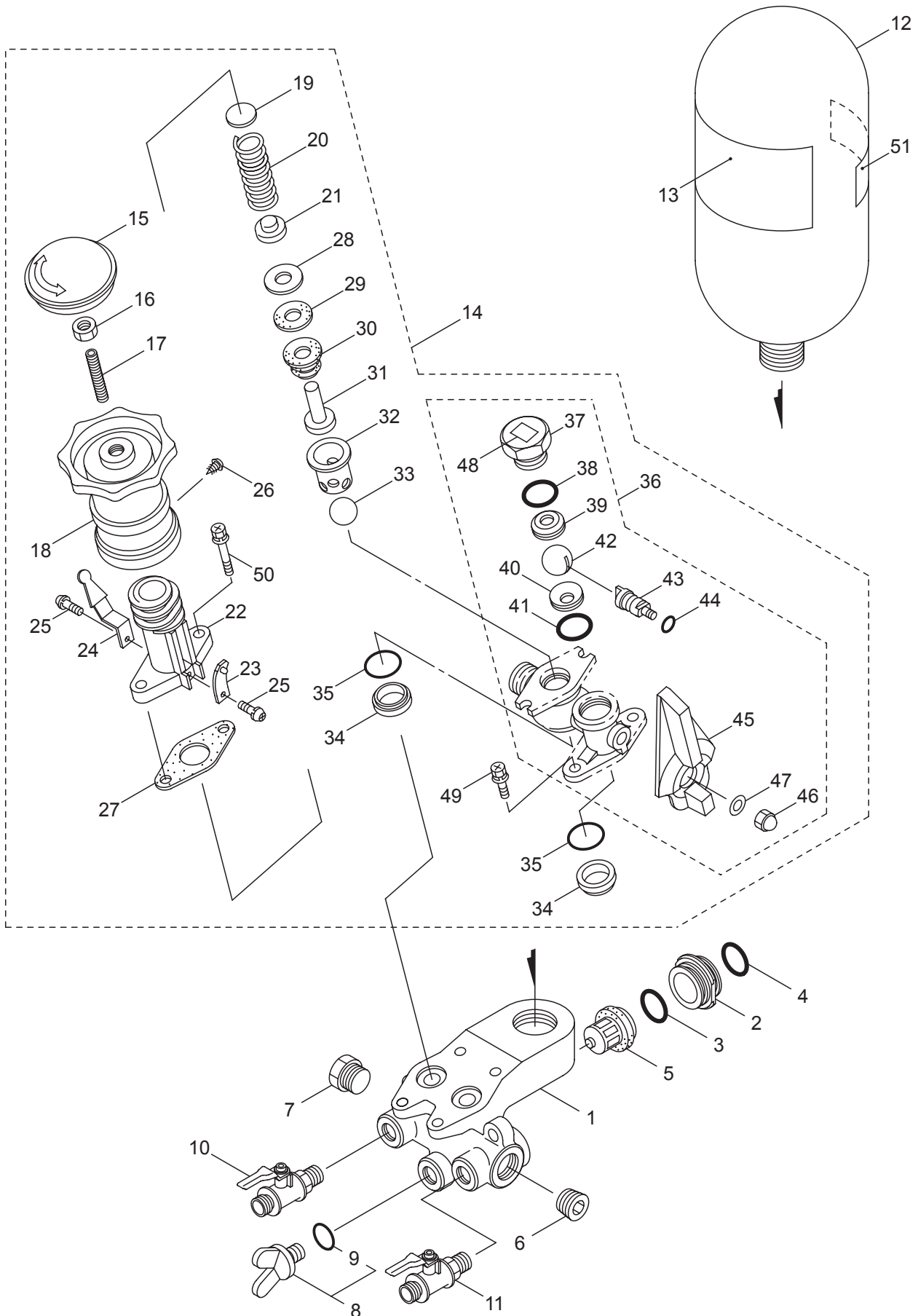
Ref. No.	Part No.	Part Name	Q'ty		Remarks
			A	B	
1-46	126201	Nut	4		M8
1-47	100837	V-Pulley	1		152-Ax2
1-48	014543	Key	1		5x5x25L
1-49	126258	Bolt	1		M8x20
1-50	126198	Washer	1		8.5x30xT3.2
1-51	117633	Rail	2		
1-52	126200	Bolt	2		M8x115x30
1-53	126201	Nut	2		M8

2. MS415  
PRESSURE REGULATOR VALVE



Ref. No.	Part No.	Part Name	Q'ty		Remarks
			A	B	
2-1	120831	Discharge Manifold	1		
2-2	130537	Adapter	3		
2-3	023172	O-Ring	3		P22
2-4	015862	O-Ring	3		P21
2-5	120276	Discharge Valve Ass'y	3		
2-6	130448	Plug	1		R1/2
2-7	108368	Plug	1		R1/2
2-8	632737	Plug Ass'y	1		Incl.9 G1/4
2-9	023170	O-Ring	1		P12.5
2-10	120834	Cock Ass'y	1		G1/4xR1/4
2-11	120835	Cock Ass'y	1		G3/8xR3/8
2-12	130548	Air Chamber	1		
2-13	130513	Label	1		
2-14	130453	Pressure Regulator Valve Ass'y	1		Incl.15-50
2-15	130454	Cap	1		
2-16	126195	Nut	1		M10
2-17	088975	Screw	1		M10x48
2-18	130455	Grip	1		
2-19	126196	Retainer	1		17x2.3
2-20	105520	Spring	1		
2-21	105521	Retainer	1		
2-22	105522	Case	1		
2-23	108474	Plate Spring	1		
2-24	105524	Indicator	1		
2-25	816018	Screw	2		M4x0.7x8
2-26	089899	Tapping Screw	1		M4x13
2-27	105527	Packing	1		
2-28	012255	Washer	1		6.2x22xt0.6
2-29	016972	Bellows Packing	1		5x22xt1.5
2-30	011451	Bellows	1		
2-31	124188	Valve Rod	1		
2-32	109026	Retainer	1		Stainless steel
2-33	107238	Valve Ball	1		12.7(1/2)
2-34	020971	Valve Seat	2		10x20xt6.5
2-35	014179	O-Ring	2		P20
2-36	121014	By-pass Valve Ass'y	1		Incl.37-48
2-37	121689	Ball Retainer	1		
2-38	013971	O-Ring	1		S20
2-39	121690	Valve Seat	1		
2-40	121691	Valve Seat	1		
2-41	013967	O-Ring	1		S14
2-42	120840	Ball Valve	1		
2-43	120841	Ball Retainer	1		
2-44	013918	O-Ring	1		S5
2-45	121007	Handle	1		

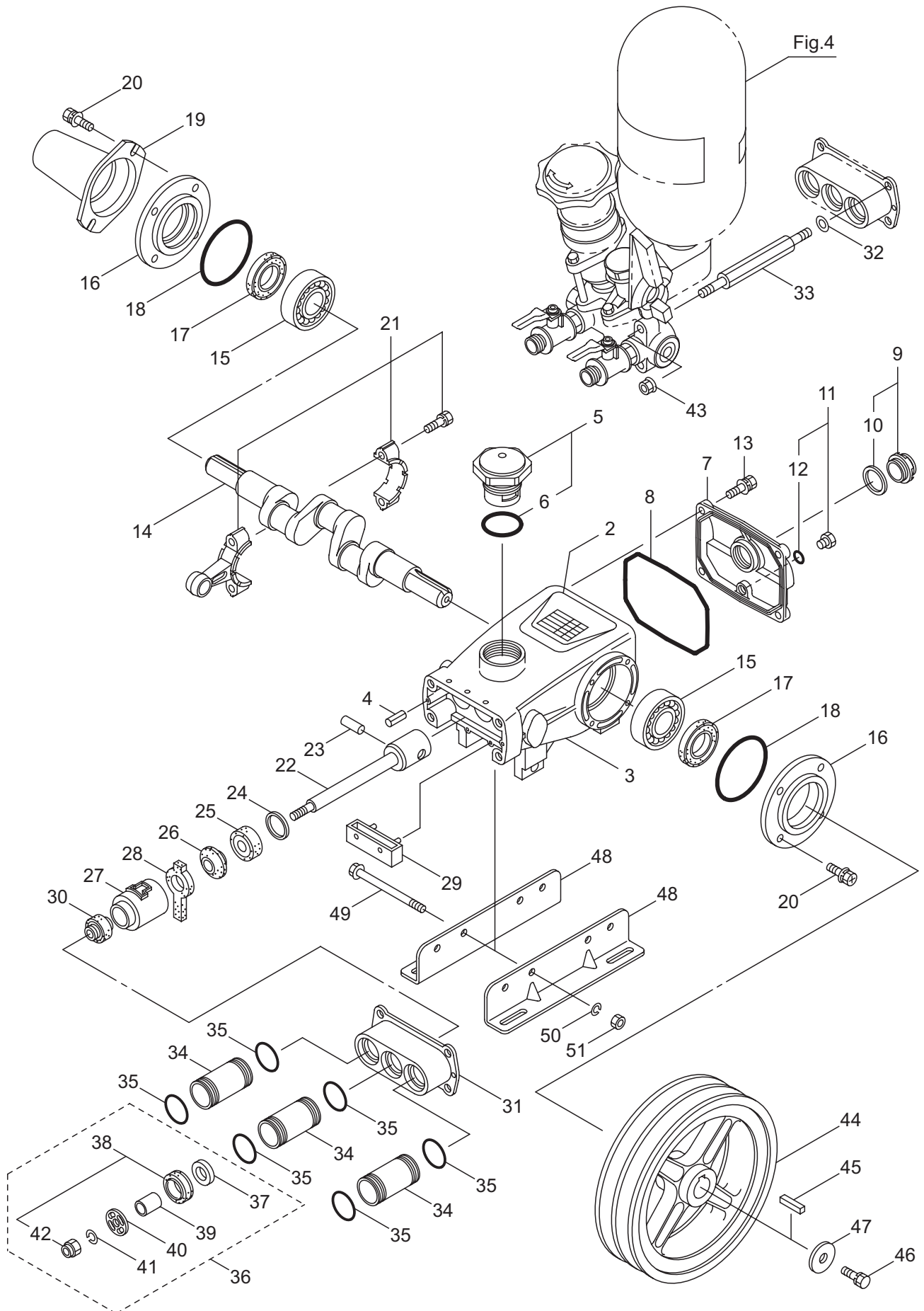
2. MS415  
PRESSURE REGULATOR VALVE





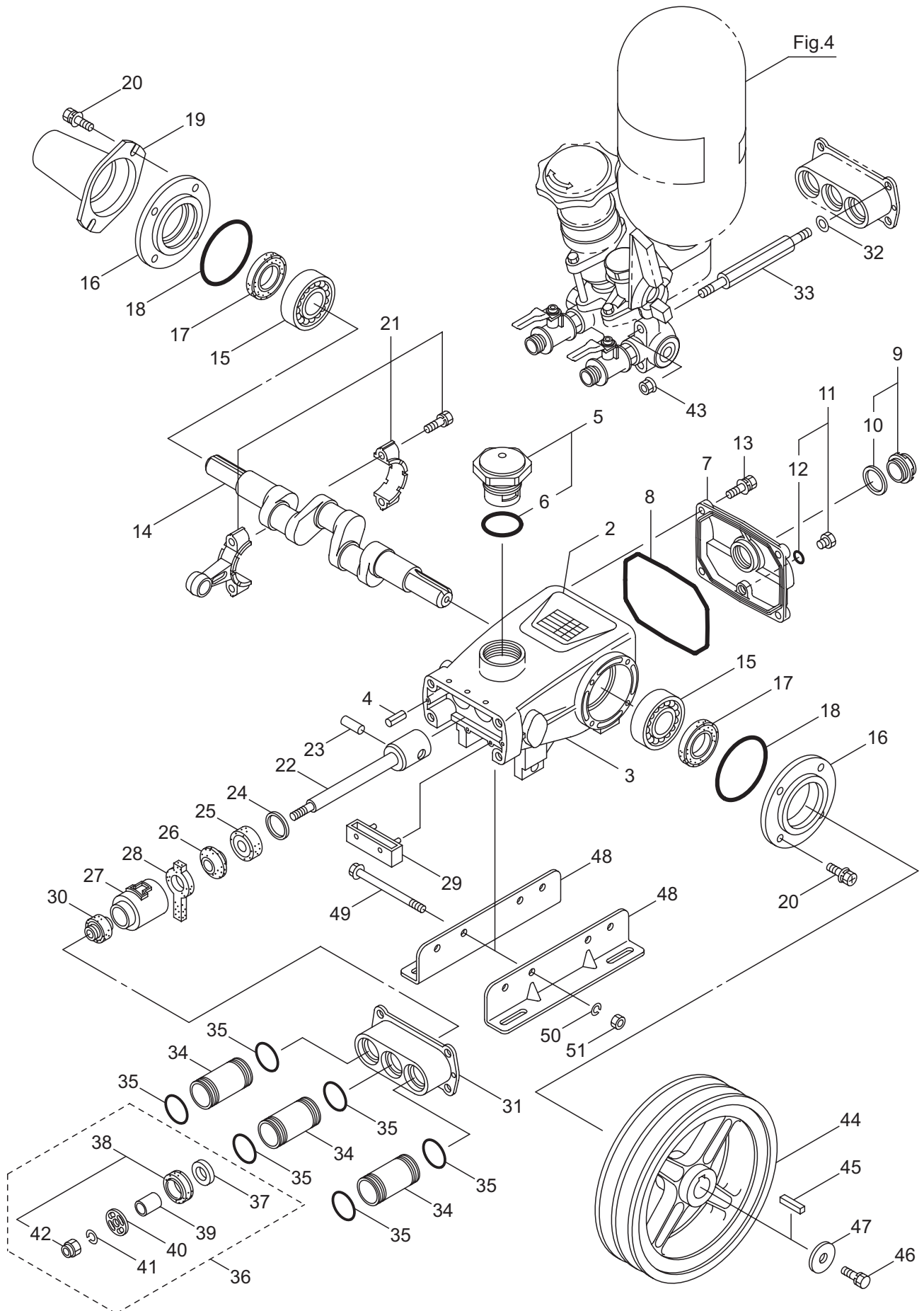
Ref. No.	Part No.	Part Name	Q'ty		Remarks
			A	B	
2-46	100166	Nut	1		M5
2-47	012487	Washer	1		M5
2-48	108355	Label	1		Arrow mark
2-49	092542	Bolt	2		M6x20
2-50	120843	Bolt	2		M6x55x20
2-51	121074	Label	1		

3. MS655  
 CRANKCASE, SUCTION VALVE



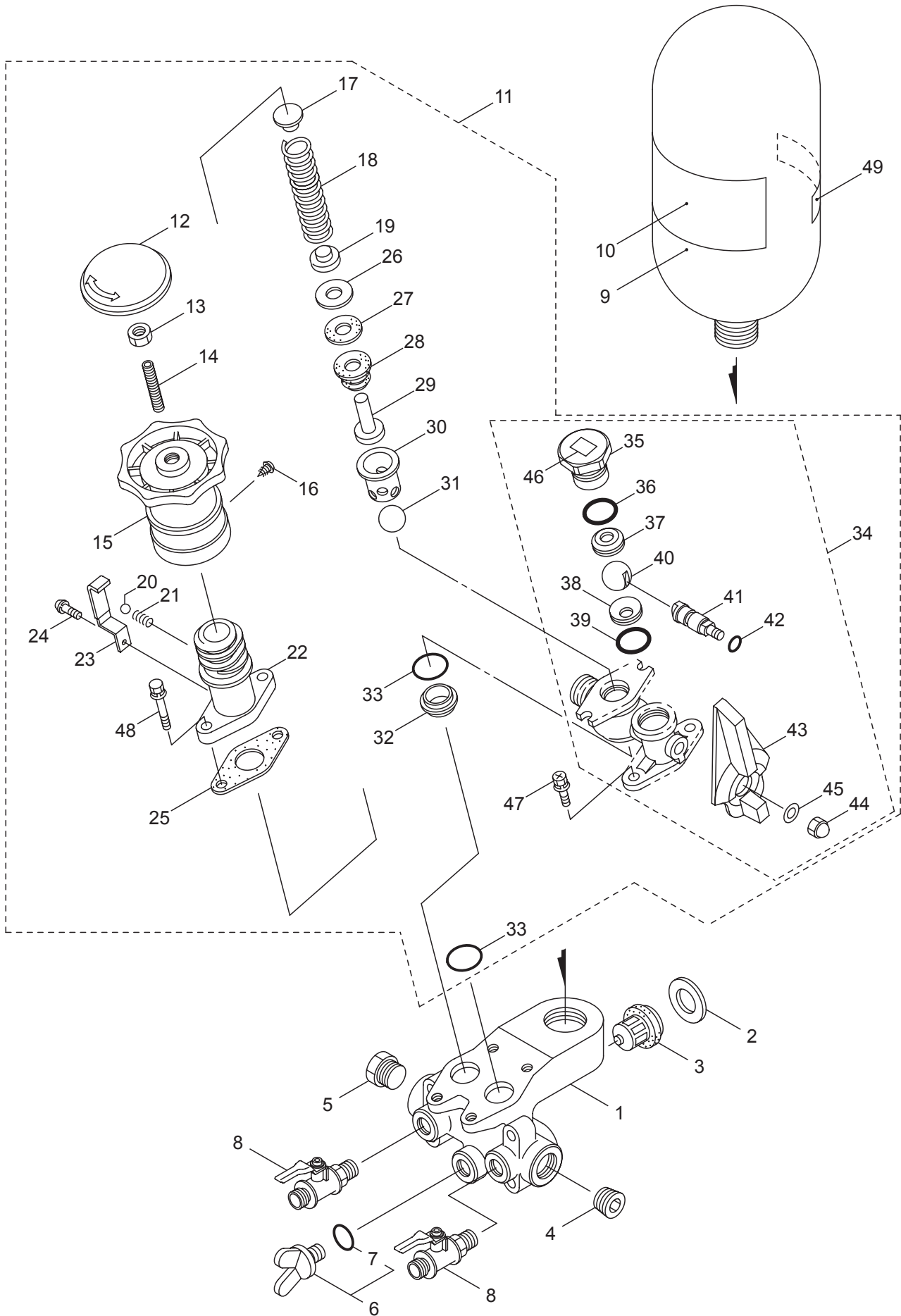
Ref. No.	Part No.	Part Name	Q'ty		Remarks
			A	B	
3-1	354133	MS655		1	
3-2	130485	Label		1	MS655
3-3	130506	Crankcase		1	
3-4	027488	Guide Pin		2	
3-5	091264	Oil Filler Cap		1	Incl.6
3-6	014177	O-Ring		1	P35
3-7	130509	Rear Cover, Crankcase		1	
3-8	014070	O-Ring		1	S150
3-9	092241	Oil Gauge Ass'y		1	Incl.10
3-10	044428	Packing		1	25x34xt2.5
3-11	091376	Drain Plug		1	Incl.12 G1/4
3-12	023170	O-Ring		1	P12.5
3-13	125824	Bolt		4	M6x16
3-14	028203	Crankshaft		1	
3-15	047080	Bearing		2	#6306
3-16	130479	Oil Seal Case		2	
3-17	027330	Oil Seal		2	D30458
3-18	026965	O-Ring,Oil Seal Case		2	71.7x1.6
3-19	108379	Shaft Protector		1	
3-20	125824	Bolt		8	M6x16
3-21	048733	Connecting Rod Ass'y		3	
3-22	120901	Piston Rod		3	
3-23	020251	Piston Pin		3	11X29L
3-24	126585	Washer		3	24x32xT1.2
3-25	027987	Oil Seal		3	S10.5 32 7
3-26	026853	Packing		3	
3-27	027341	Seal Retainer		3	
3-28	130517	Felt Packing		3	
3-29	027911	Oil Pan		1	
3-30	100015	Seal		3	
3-31	108383	Manifold,Inlet		1	
3-32	126593	Washer		4	10.5x15.5xt1.5
3-33	130494	Cylinder Bolt		4	M10x94x40.5x25
3-34	108384	Cylinder Pipe		3	28.5x36x50L
3-35	026969	O-Ring		6	31.3x2.65
3-36	632585	Inlet Valve Ass'y		3	Incl.37-42
3-37	026541	Inlet Valve Seat		3	7x25xt3.8
3-38	632588	Inlet Valve		3	Incl.42
3-39	027796	Collar		3	7x10x11.5L
3-40	120904	Piston Retainer		3	
3-41	015850	Spring Washer		3	M7
3-42	115598	Nut		3	M7
3-43	126567	Nut		4	M10
3-44	108408	V-pulley		1	229-Bx2
3-45	064203	Key		1	7x7x30L

3. MS655  
CRANKCASE, SUCTION VALVE



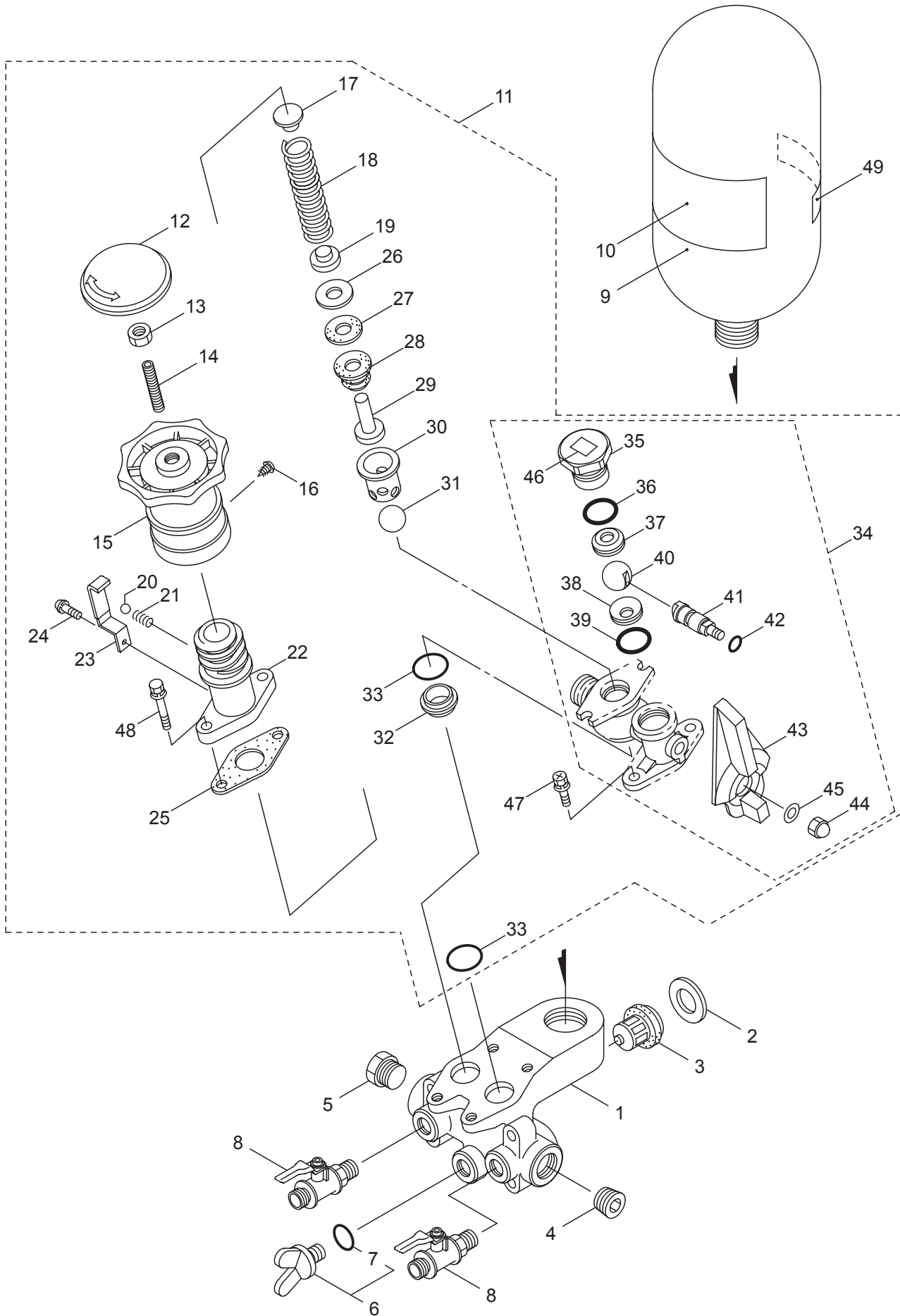
Ref. No.	Part No.	Part Name	Q'ty		Remarks
			A	B	
3-46	126258	Bolt		1	M8x20
3-47	126198	Washer		1	8.5x30xT3.2
3-48	117634	Angle Rail		2	
3-49	126533	Bolt		2	M10x140x32
3-50	126231	Spring Washer		2	M10
3-51	126522	Nut		2	M10

#### 4. MS655 PRESSURE REGULATOR VALVE



Ref. No.	Part No.	Part Name	Q'ty		Remarks
			A	B	
4-1	120906	Discharge Manifold		1	
4-2	108406	Washer		3	21.5x36xt3
4-3	120236	Discharge Valve Ass'y		3	
4-4	130470	Plug		1	R3/4
4-5	108399	Plug		1	R3/4
4-6	632737	Plug Ass'y		1	Incl.7 G1/4
4-7	023170	O-Ring		1	P12.5
4-8	120835	Cock Ass'y		2	G3/8xR3/8
4-9	130442	Air Chamber		1	
4-10	130513	Label		1	
4-11	130481	Pressure Regulator Valve Ass'y		1	Incl.12-48
4-12	130472	Cap		1	
4-13	126195	Nut		1	M10
4-14	120913	Screw		1	M10x35
4-15	130482	Grip		1	
4-16	089899	Tapping Screw		1	M4x13
4-17	108402	Retainer(upper)		1	
4-18	120917	Spring		1	
4-19	120918	Retainer(lower)		1	
4-20	011495	Valve Ball		1	1/4"
4-21	121221	Spring		1	
4-22	120919	Case		1	
4-23	121079	Plate		1	
4-24	816018	Screw		1	M4x0.7x8
4-25	122734	Packing		1	T0.5
4-26	120925	Washer		1	
4-27	120926	Bellows Packing		1	
4-28	120927	Bellows		1	
4-29	124191	Valve Rod		1	
4-30	124190	Retainer		1	
4-31	120931	Valve Ball		1	7/8"
4-32	120932	Valve Seat		1	
4-33	020285	O-Ring		2	P24
4-34	121015	By-pass Valve Ass'y		1	Incl.35-46
4-35	120933	Ball Retainer		1	
4-36	013975	O-Ring		1	S24
4-37	121692	Valve Seat		1	
4-38	121693	Valve Seat		1	
4-39	013970	O-Ring		1	S18
4-40	120934	Ball Valve		1	
4-41	120935	Ball Retainer		1	
4-42	025300	O-Ring		1	S6
4-43	121007	Handle		1	
4-44	100166	Nut		1	M5
4-45	012487	Washer		1	M5

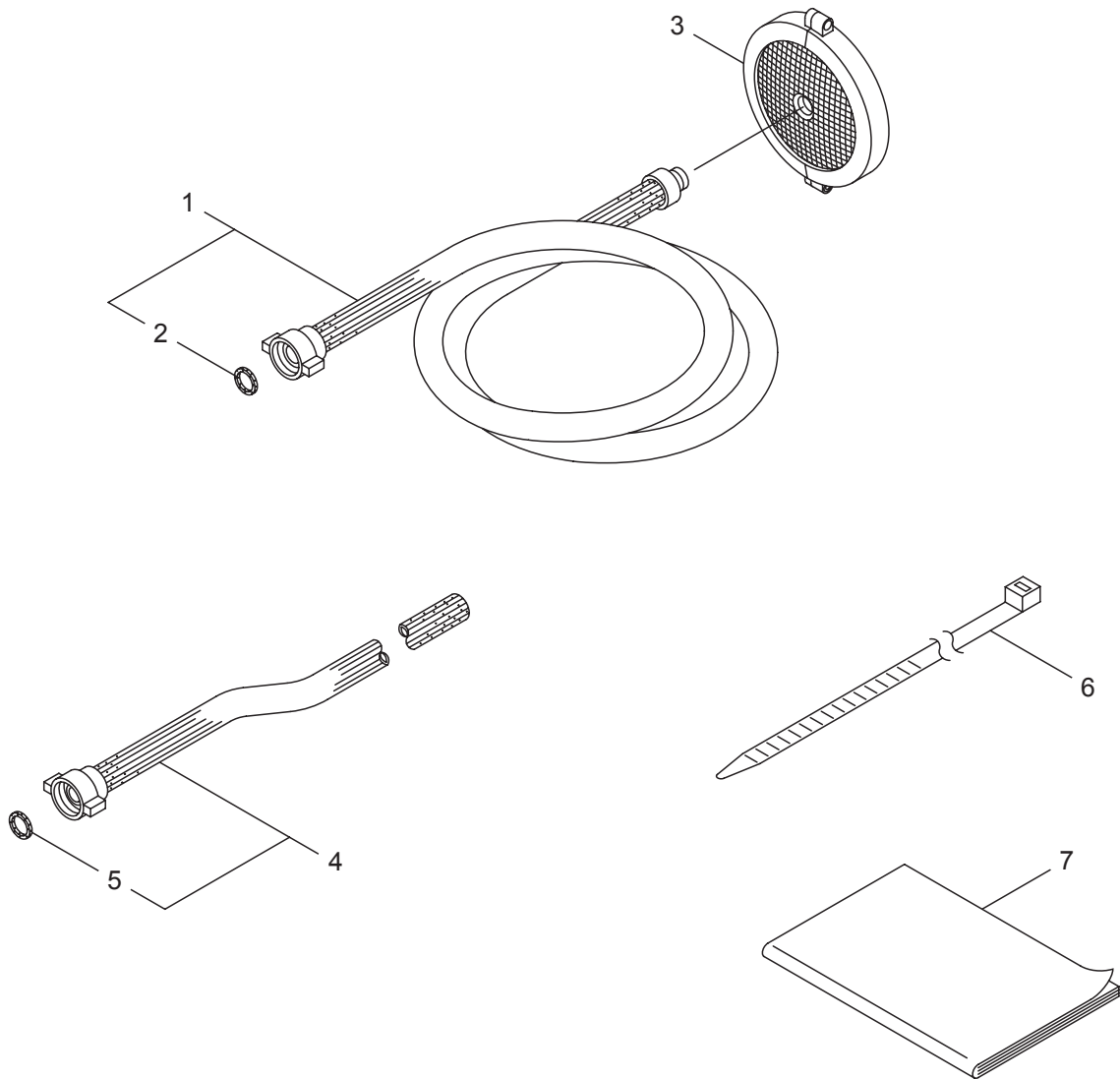
4. MS655  
PRESSURE REGULATOR VALVE





Ref. No.	Part No.	Part Name	Q'ty		Remarks
			A	B	
4-46	108355	Label		1	Arrow mark
4-47	125753	Bolt		2	M8x25
4-48	120937	Bolt		2	M8x70x30
4-49	121074	Label		1	

5. MS415, MS655  
ACCESSORIES



Ref. No.	Part No.	Part Name	Q'ty		Remarks
			A	B	
5-1	105936	Suction Hose Ass'y	1		Incl.2 19x1Bx3000L
5-1	108450	Suction Hose Ass'y		1	Incl.2 25x3.6M
5-2	103686	Packing	1		18.5x24xt2
5-2	103687	Packing		1	23.5x30xt2
5-3	122017	Suction Strainer Ass'y	1	1	
5-4	104344	Spill Hose Ass'y	1		Incl.5 13x19x3000L
5-4	108452	Discharge Hose Ass'y		1	Incl.5 19x3.6M
5-5	103685	Packing	1		12x18.5xt1.5
5-5	103686	Packing		1	18.5x24xt2
5-6	107107	Band	1	1	
5-7	130459	Instruction Manual	1	1	MS315-755