

PARTS LIST

MS413ECH-CA

CONTENTS

1. MAIN BODY	1 ~ 2
2. POWER SPRAYER (Crankcase, Suction Valve).....	3 ~ 6
3. POWER SPRAYER (Pressure Regulator Valve)	7 ~ 10
4. ACCESSORIES	11 ~ 12

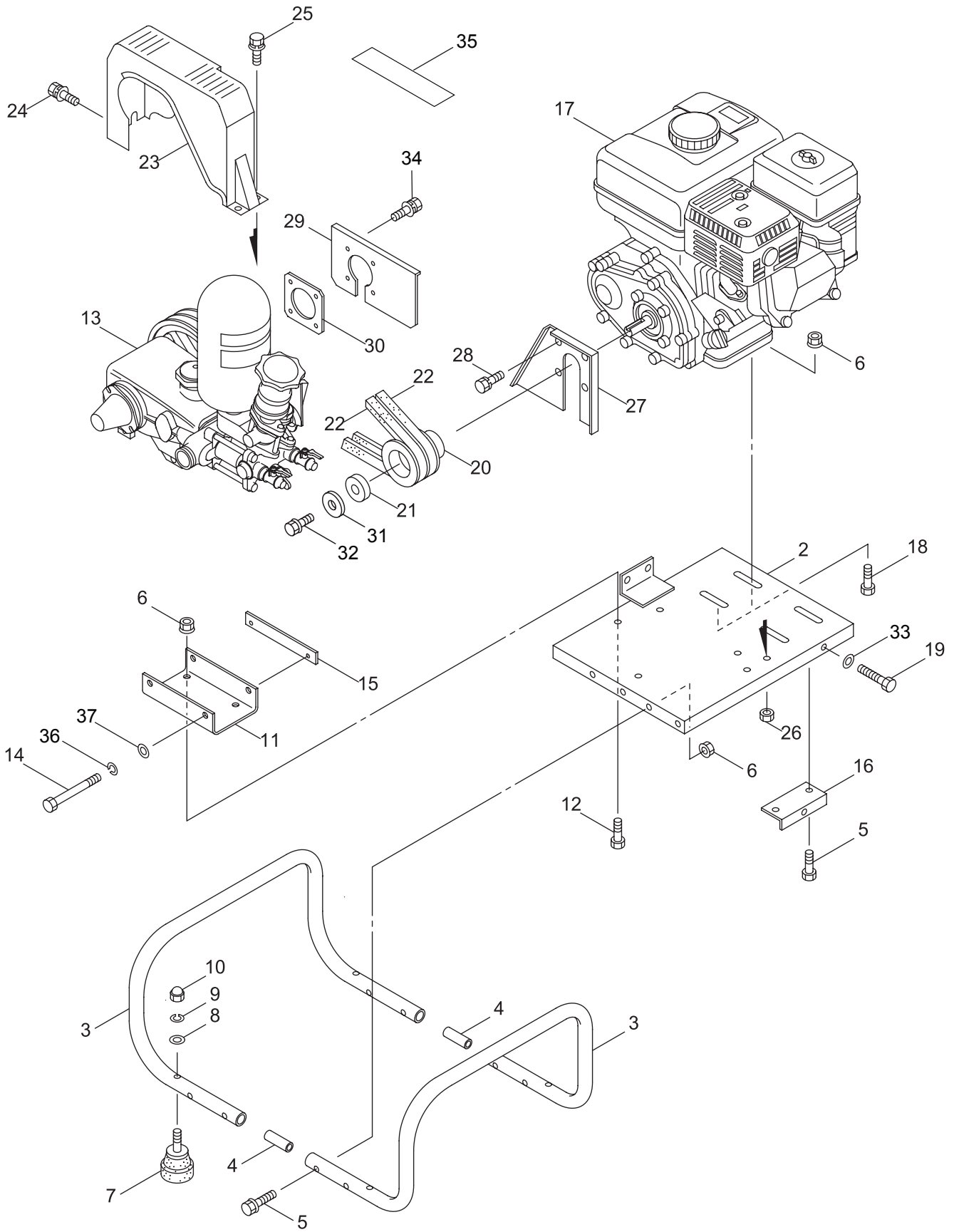
2011. 02.



MARUYAMA

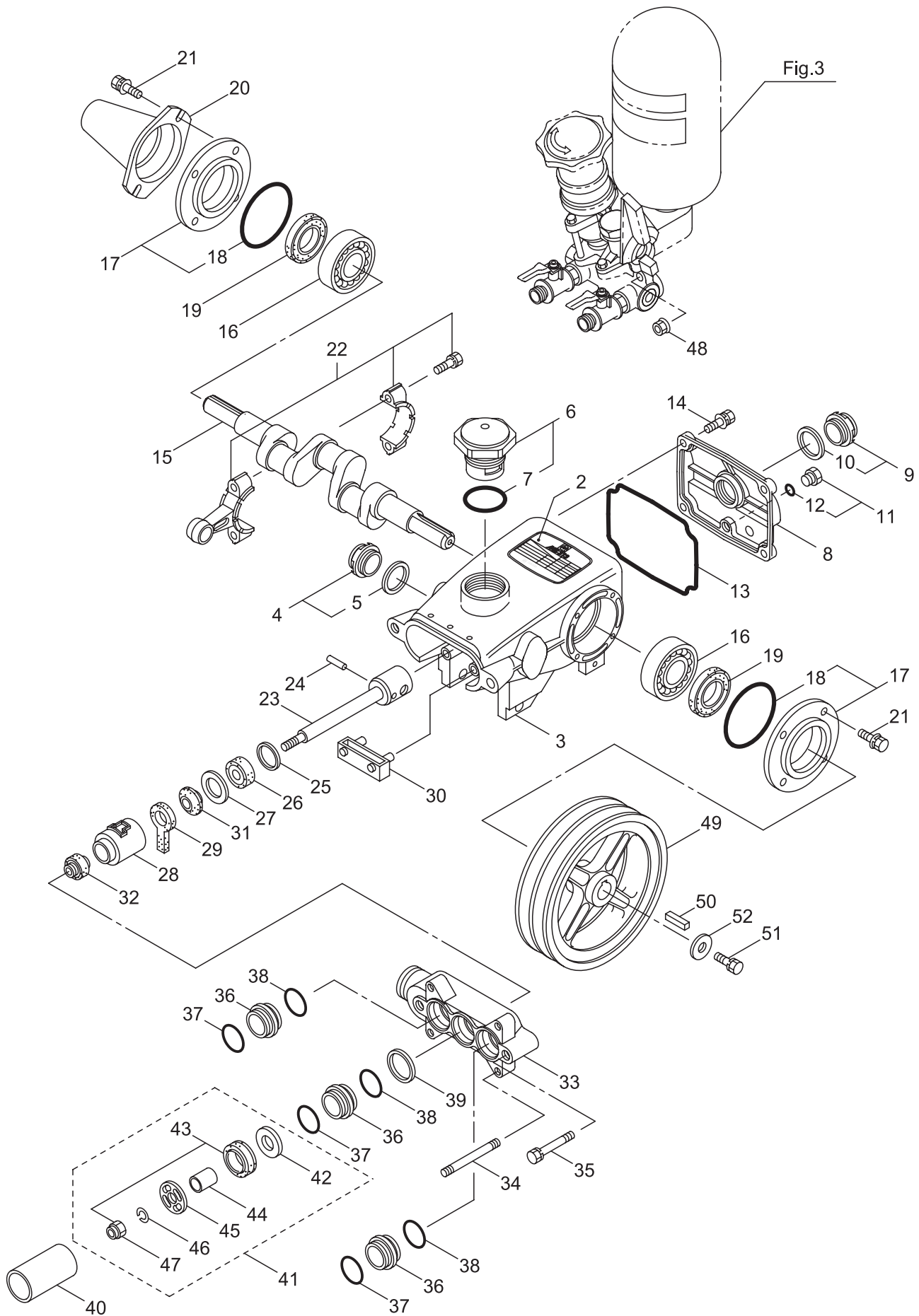
P/N 523165

1. MS413ECH-CA
MAIN BODY



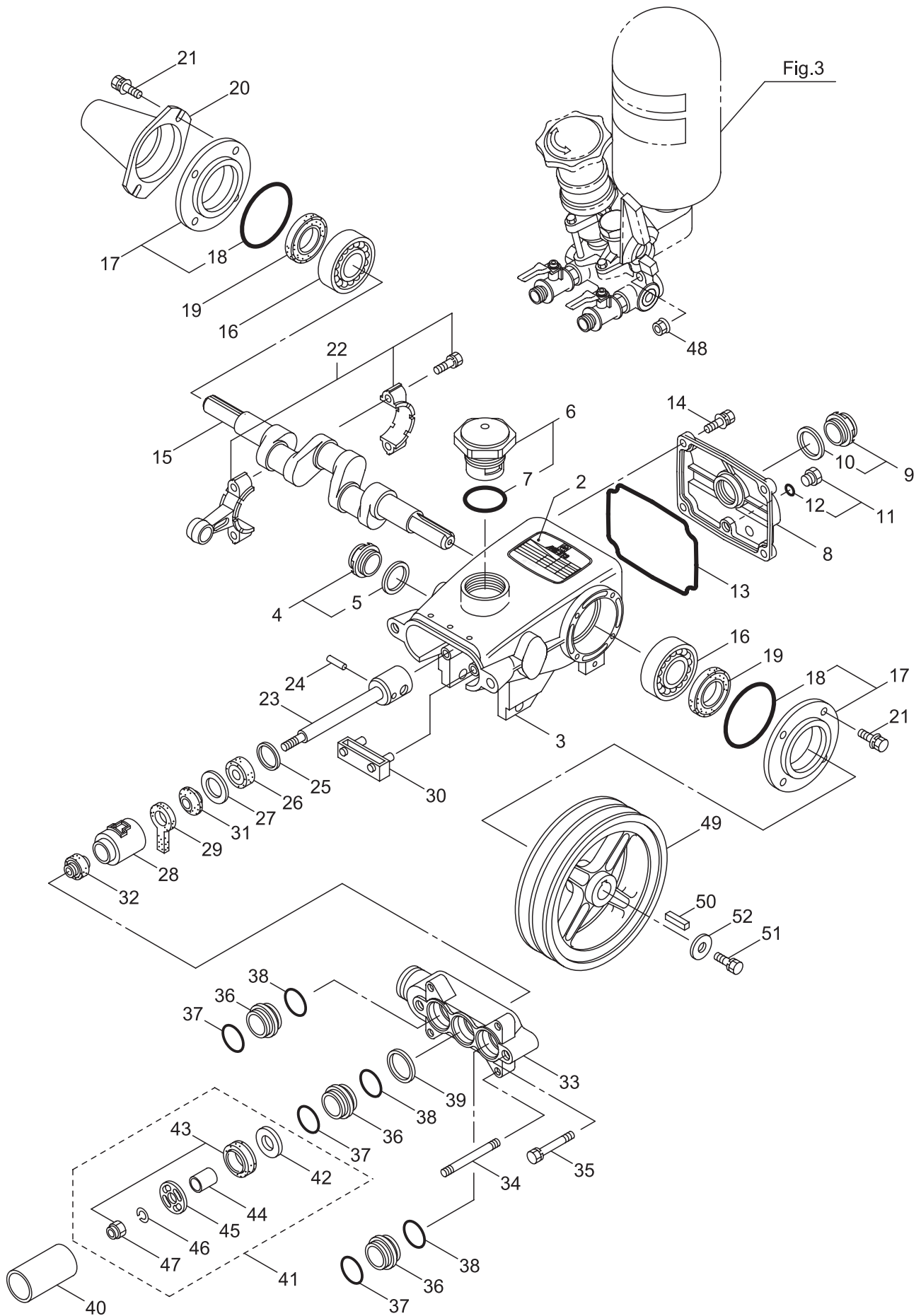
Ref. No.	Part No.	Part Name	Q'ty	Remarks
1-1	358262	MS413ECH-CA	1	
1-2	541729	Base	1	
1-3	543655	Handle	2	
1-4	549756	Pipe	2	17.9x21.7x56L
1-5	549533	Bolt	10	M8x40
1-6	126201	Nut	14	M8
1-7	106378	Buffer	4	
1-8	543571	Washer	4	M8
1-9	543570	Spring Washer	4	M8
1-10	543562	Cap Nut	4	M8
1-11	540525	Rail	1	
1-12	126529	Bolt	2	M8x20
1-13	816699	Power Sprayer	1	MS413
1-14	126200	Bolt	2	M8x115x30
1-15	549784	Plate Nut	1	M8
1-16	549761	Stay	1	
1-17	831312	Engine	1	GX160U1-LXM2
1-18	549532	Bolt	2	M8x35
1-19	549754	Bolt	1	M8x60
1-20	543573	V-Pulley	1	4-Ax2
1-21	549758	Collar	1	25x34x10L
1-22	039697	V-Belt	2	A26
1-23	111218	Belt Cover	1	
1-24	817004	Bolt	2	M6x12
1-25	125824	Bolt	2	M6x16
1-26	126756	Nut	2	M6
1-27	543574	Stay	1	
1-28	549760	Bolt	4	M8x12
1-29	543575	Stay	1	
1-30	549762	Plate	1	
1-31	090116	Washer	1	8.5x34x3.2
1-32	126258	Bolt	1	M8x20
1-33	127216	Washer	1	M8
1-34	126541	Bolt	4	M6x20
1-35	542232	Label	1	MARUYAMA
1-36	126232	Spring Washer	2	M8
1-37	127216	Washer	2	M8

2. MS413ECH-CA
POWER SPRAYER (Crankcase, Suction Valve)



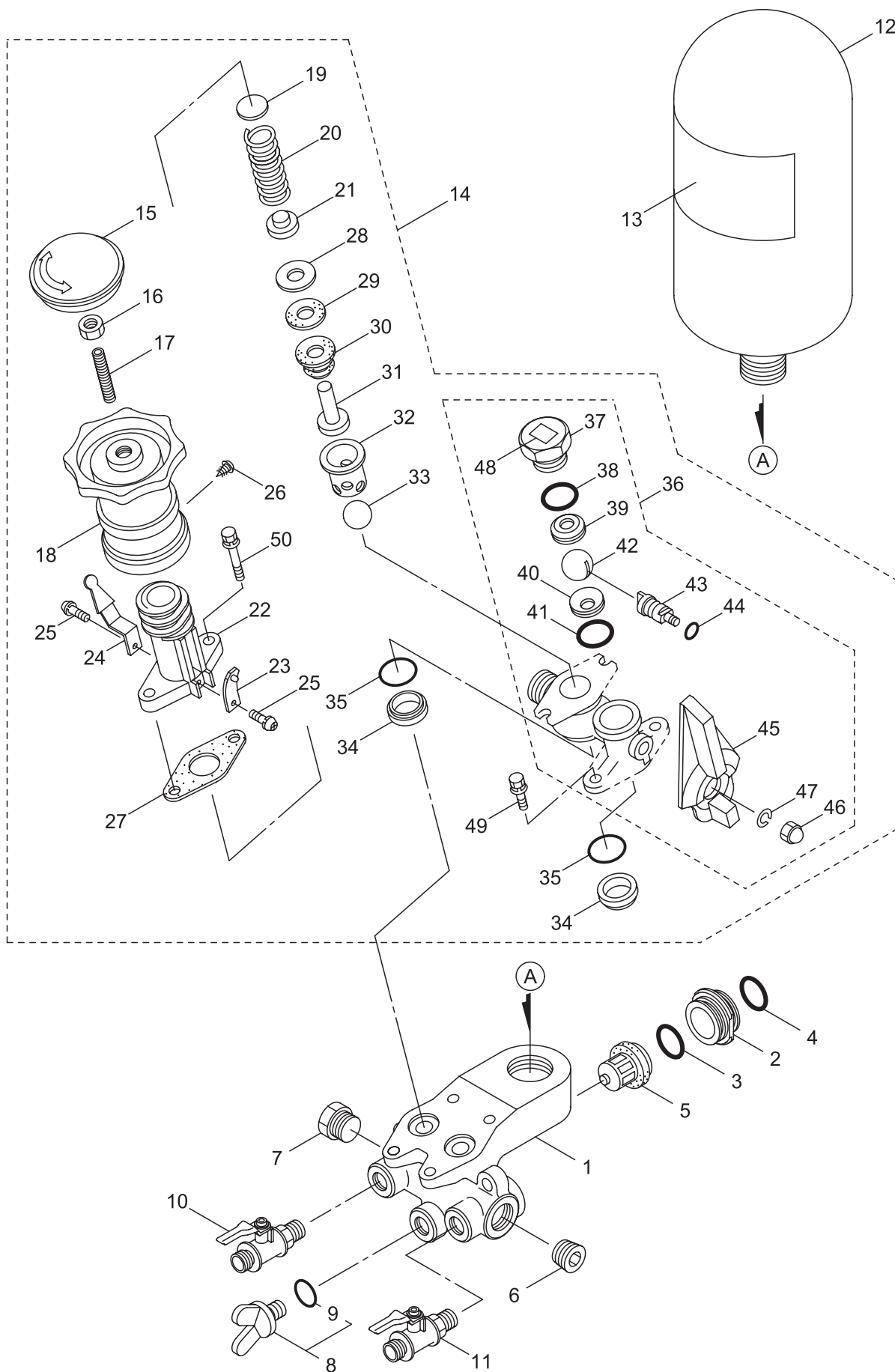
Ref. No.	Part No.	Part Name	Q'ty	Remarks
2-1	816699	Power Sprayer	1	MS413
2-2	128685	Label	1	MS413-A
2-3	126818	Crankcase	1	
2-4	092241	Oil Gauge Ass'y	1	Incl.5
2-5	044428	Packing	1	25x34xt2.5
2-6	091264	Oil Filler Cap	1	Incl.7
2-7	014177	O-Ring	1	P35
2-8	122063	Rear Cover, Crankcase	1	
2-9	092241	Oil Gauge Ass'y	1	Incl.10
2-10	044428	Packing	1	25x34xt2.5
2-11	091376	Drain Plug	1	Incl.12, G1/4
2-12	023170	O-Ring	1	P12.5
2-13	048773	O-Ring	1	119x96x2.0
2-14	125824	Bolt	4	M6x16
2-15	103921	Crankshaft	1	
2-16	014487	Bearing	2	#6304
2-17	595607	Oil Seal Case Ass'y	2	Incl.18
2-18	026536	O-Ring	2	51.8x1.5
2-19	024159	Oil Seal	2	D204010
2-20	025130	Shaft Protector	1	
2-21	125824	Bolt	8	M6x16
2-22	048734	Connecting Rod Ass'y	3	
2-23	120827	Piston Rod	3	
2-24	016948	Piston Pin	3	9x22L
2-25	126259	Washer	3	17x24xT1.2
2-26	025461	Oil Seal	3	S10.5247
2-27	126189	Washer	3	20x28xT1.2
2-28	027710	Seal Retainer	3	
2-29	027711	Felt Packing	3	
2-30	027712	Oil Pan	1	
2-31	026853	Packing	3	
2-32	100015	Seal	3	
2-33	105507	Inlet Manifold	1	
2-34	120829	Stud	4	M8x110x11x18
2-35	128352	Bolt	2	M8X45
2-36	022931	Adapter	3	
2-37	015862	O-Ring	3	P21
2-38	023172	O-Ring	3	P22
2-39	105508	Packing	1	26x28.5xt0.5
2-40	108065	Cylinder Pipe	3	25x28.5x55L
2-41	632583	Inlet Valve Ass'y	3	Incl.42-47
2-42	014122	Inlet Valva Seat	3	6.1x20xt2.8
2-43	632586	Piston Packing Set	3	Incl.47
2-44	027499	Spacer	3	6x8.5x10L
2-45	119917	Retainer, Piston	3	

2. MS413ECH-CA
POWER SPRAYER (Crankcase, Suction Valve)



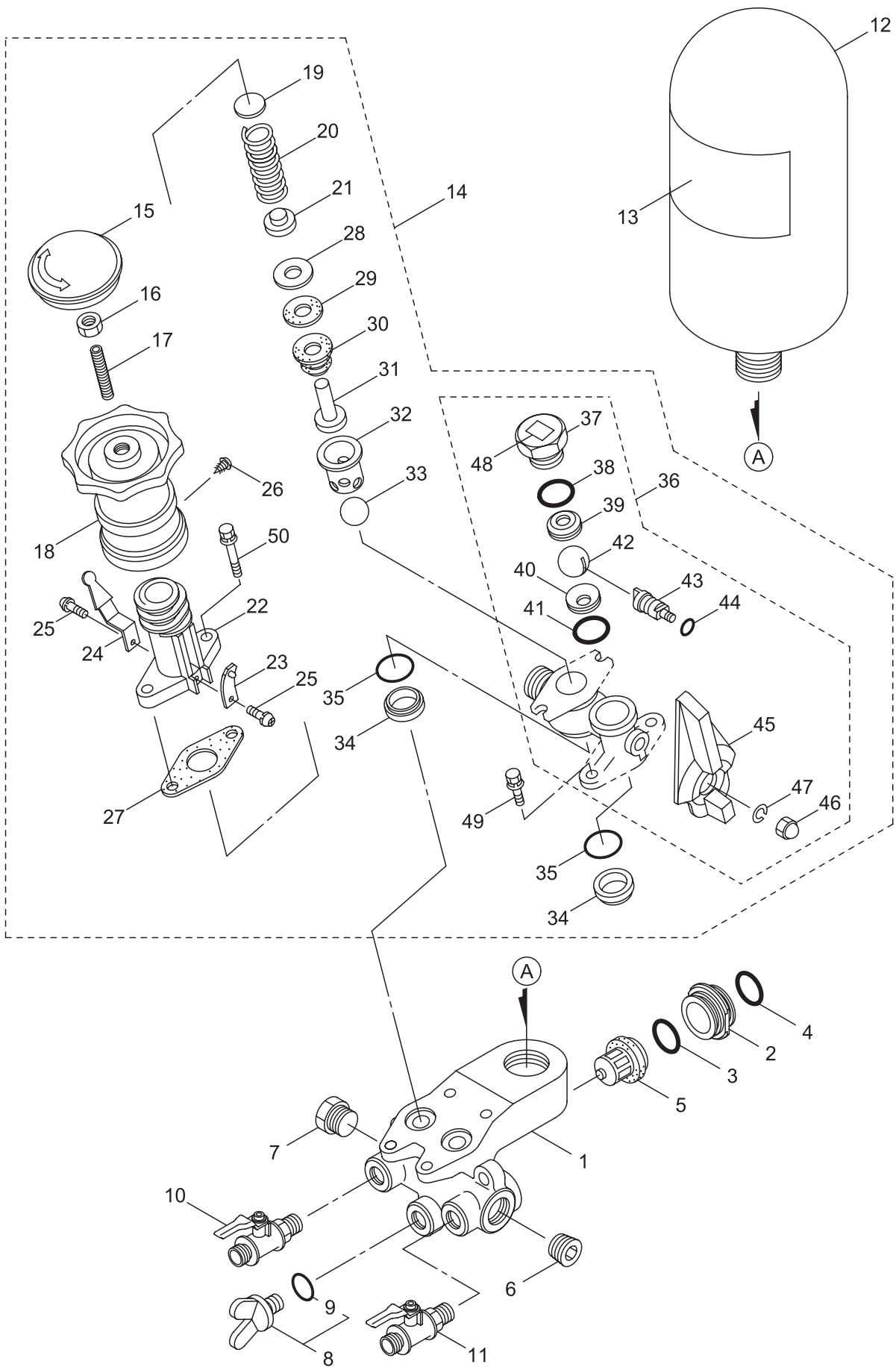
Ref. No.	Part No.	Part Name	Q'ty	Remarks
2-46	015849	Spring Washer	3	M6
2-47	046365	Nylon Nut	3	M6
2-48	126201	Nut	4	M8
2-49	100837	V-Pulley	1	152-Ax2
2-50	014543	Key	1	5x5x25L
2-51	126258	Bolt	1	M8x20
2-52	126198	Washer	1	8.5x30xT3.2

3. MS413ECH-CA
 POWER SPRAYER (Pressure Regulator Valve)



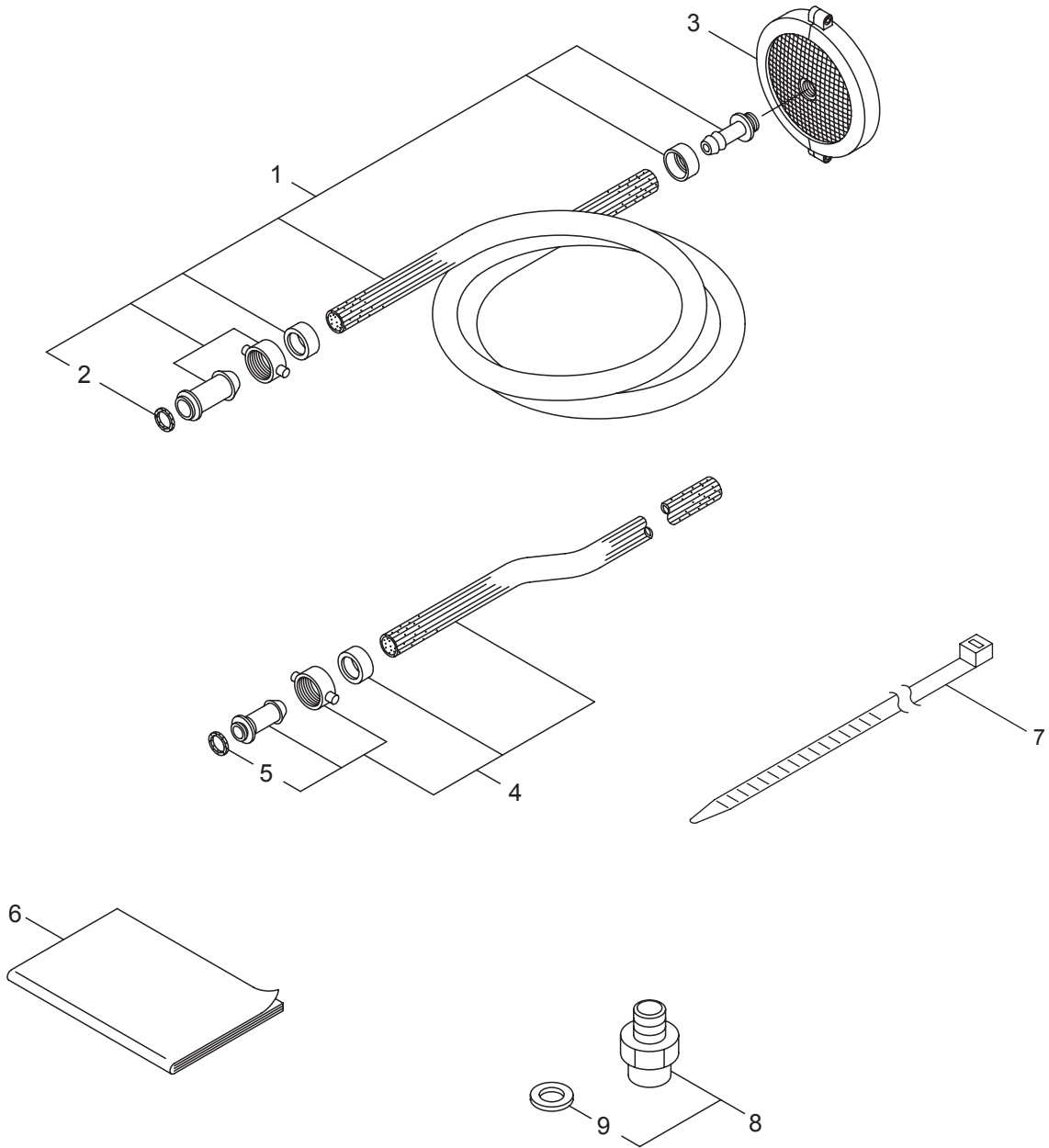
Ref. No.	Part No.	Part Name	Q'ty	Remarks
3-1	120831	Discharge Manifold	1	
3-2	105509	Adapter	3	
3-3	023172	O-Ring	3	P22
3-4	015862	O-Ring	3	P21
3-5	120276	Discharge Valve Ass'y	3	
3-6	120833	Plug	1	R1/2
3-7	108368	Plug	1	R1/2
3-8	632737	Plug Ass'y	1	Incl.9 G1/4
3-9	023170	O-Ring	1	P12.5
3-10	120834	Cock Ass'y	1	G1/4xR1/4
3-11	120835	Cock Ass'y	1	G3/8xR3/8
3-12	027928	Air Chamber	1	
3-13	121443	Label	1	
3-14	120836	Pressure Regulator Valve Ass'y	1	Incl.15-50
3-15	121005	Cap	1	
3-16	126195	Nut	1	M10
3-17	088975	Screw	1	M10x48
3-18	121006	Grip	1	
3-19	126196	Retainer	1	17x2.3
3-20	105520	Spring	1	
3-21	105521	Retainer	1	
3-22	105522	Case	1	
3-23	108474	Plate Spring	1	
3-24	105524	Indicator	1	
3-25	092100	Screw	2	M4x6
3-26	089899	Tapping Screw	1	M4x13
3-27	105527	Packing	1	
3-28	012255	Washer	1	6.2x22xt0.6
3-29	016972	Bellows Packing	1	5x22xt1.5
3-30	011451	Bellows	1	
3-31	016975	Valve Rod	1	
3-32	012256	Retainer	1	
3-33	107238	Valve Ball	1	12.7(1/2)
3-34	020971	Valve Seat	2	10x20xt6.5
3-35	014179	O-Ring	2	P20
3-36	121014	By-pass Valve Ass'y	1	Incl.37-48
3-37	121689	Ball Retainer	1	
3-38	013971	O-Ring	1	S20
3-39	121690	Valve Seat	1	
3-40	121691	Valve Seat	1	
3-41	013967	O-Ring	1	S14
3-42	120840	Ball Valve	1	
3-43	120841	Ball Retainer	1	
3-44	013918	O-Ring	1	S5
3-45	121007	Handle	1	

3. MS413ECH-CA
 POWER SPRAYER (Pressure Regulator Valve)



Ref. No.	Part No.	Part Name	Q'ty	Remarks
3-46	100166	Nut	1	M5
3-47	029754	Spring Washer	1	M5
3-48	108355	Label	1	Arrow mark
3-49	092542	Bolt	2	M6x20
3-50	120843	Bolt	2	M6x55x20

4. MS413ECH-CA
ACCESSORIES



Ref. No.	Part No.	Part Name	Q'ty	Remarks
4-1	105936	Suction Hose Ass'y	1	Incl.2
4-2	103686	Packing	1	18.5x24xt2
4-3	122017	Suction Strainer Ass'y	1	
4-4	104344	Spill Hose Ass'y	1	Incl.5
4-5	103685	Packing	1	12x18.5xt1.5
4-6	814273	Instruction Manual	1	
4-7	107107	Band	1	
4-8	811343	Extension Ass'y	1	Incl.9 G3/8xG1/4
4-9	011205	Packing	1	11.5x16.5xt1.5