

PARTS LIST

MS40V

CONTENTS

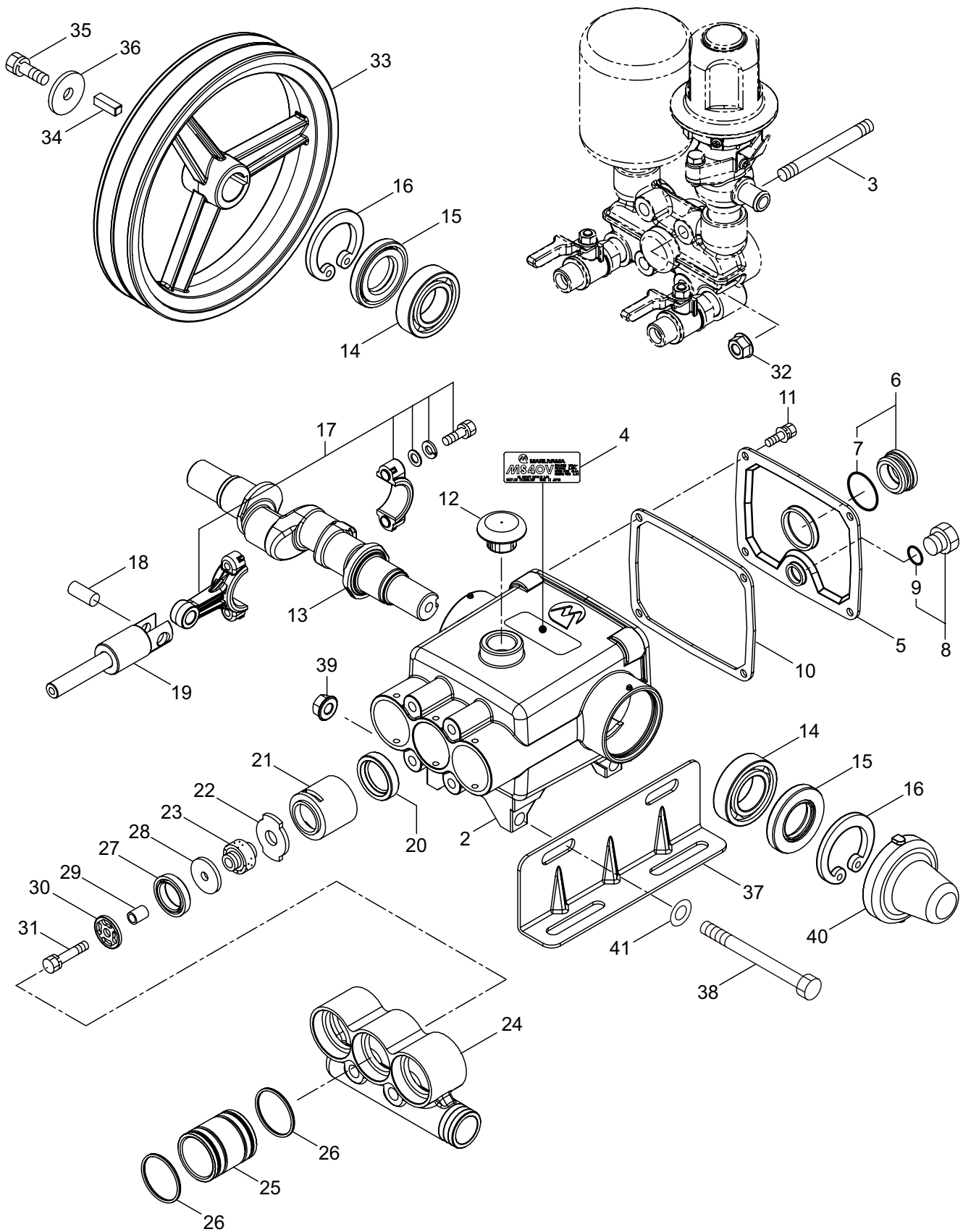
1. CRANKCASE, SUCTION VALVE	1 ~ 2
2. PRESSURE REGULATOR VALVE.....	3 ~ 4
3. ACCESSORIES	5 ~ 6

2014. 12.



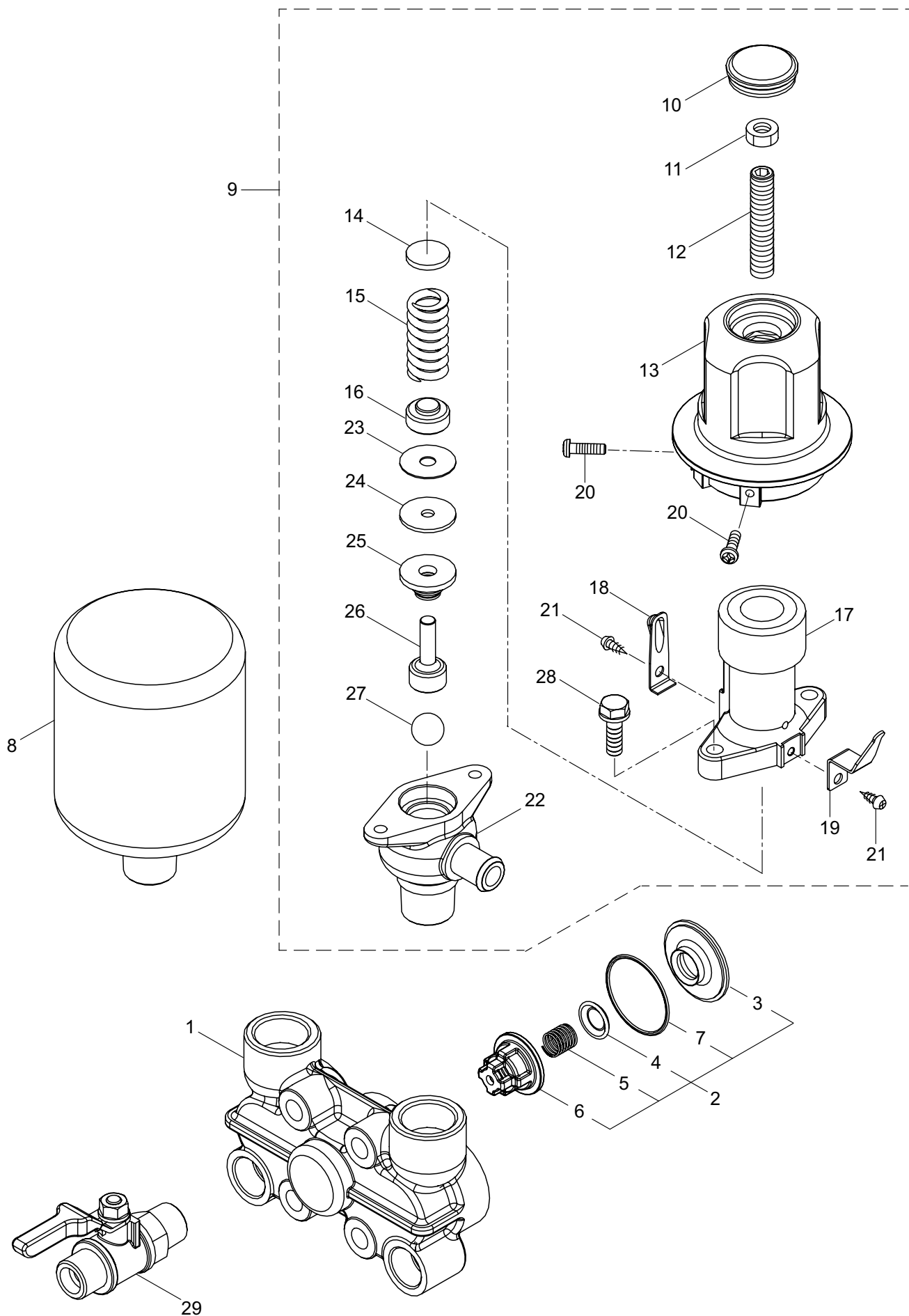
P/N 523948

1. MS40V
CRANKCASE, SUCTION VALVE



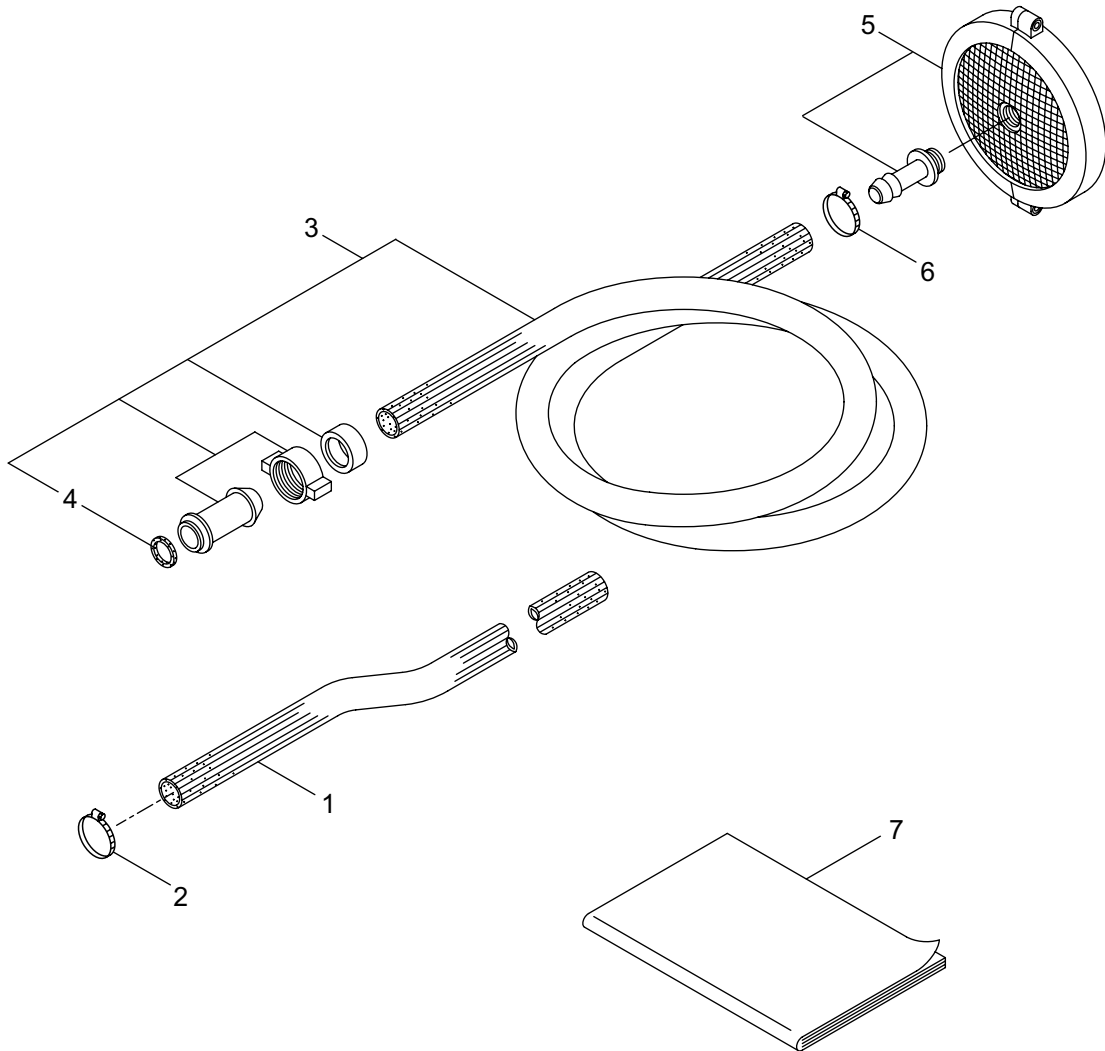
Ref. No.	Part No.	Part Name	Q'ty	Remarks
1-1	354179	MS40V	1	
1-2	132914	Crankcase	1	
1-3	122448	Stud Bolt	4	M8x100x11x18
1-4	132855	Label	1	MS40V
1-5	132857	Rear Cover, Crankcase	1	
1-6	132858	Oil Gauge Ass'y	1	Incl.7
1-7	132860	O-Ring	1	S22
1-8	132861	Plug Ass'y	1	Incl.9 G1/4
1-9	132863	O-Ring	1	P10
1-10	132887	Packing	1	T2
1-11	092548	Bolt	4	M5x15
1-12	117420	Oil Filler Cap	1	
1-13	122456	Crankshaft	1	
1-14	132864	Bearing	2	#6005
1-15	122460	Oil Seal	2	D254707
1-16	012385	Snap Ring	2	H47
1-17	122461	Connecting Rod Ass'y	3	
1-18	122466	Piston Pin	3	9x22
1-19	132867	Piston Rod	3	
1-20	132870	Oil Seal	3	S22327
1-21	122471	Seal Retainer	3	
1-22	122472	Felt Packing	3	10.5x27xT3
1-23	100015	Seal	3	
1-24	122473	Inlet Manifold	1	
1-25	122476	Cylinder Pipe	3	28.5x34.5x38
1-26	013983	O-Ring	6	S31.5
1-27	122479	Piston Packing	3	
1-28	132872	Inlet Valve Seat	3	6.1x25xt2.8
1-29	027499	Spacer	3	6x8.5x10L
1-30	132873	Retainer, Piston	3	
1-31	189369	Bolt	3	M6x30
1-32	126201	Nut	4	M8
1-33	122500	V-Pulley	1	191xA-2
1-34	122502	Key	1	6x6x20
1-35	126258	Bolt	1	M8x20
1-36	126198	Washer	1	8.5x30xT3.2
1-37	122503	Rail	2	
1-38	089503	Bolt	2	M8x95x22
1-39	126201	Nut	2	M8
1-40	132866	Shaft Protector	1	
1-41	127216	Washer	2	M8

2. MS40V PRESSURE REGULATOR VALVE



Ref. No.	Part No.	Part Name	Q'ty	Remarks
2-1	122484	Discharge Manifold	1	
2-2	122487	Valve Ass'y	3	Incl.3-7
2-3	122488	Valve Seat	3	
2-4	043723	Discharge Valve	3	
2-5	043360	Discharge Valve Spring	3	
2-6	122490	Valve Retainer	3	
2-7	013983	O-Ring	3	S31.5
2-8	132874	Air Chamber	1	
2-9	122492	Pressure Regulator Valve Ass'y	1	Incl.10-28
2-10	105518	Cap	1	
2-11	126195	Nut	1	M10
2-12	088975	Screw	1	M10x49
2-13	132875	Grip	1	
2-14	126196	Retainer	1	17x2.3
2-15	105520	Spring	1	
2-16	105521	Retainer	1	
2-17	117448	Case	1	
2-18	117440	Plate	1	
2-19	117441	Indicator	1	
2-20	089882	Screw	2	M4x14L
2-21	127284	Tapping Screw	2	M4x6
2-22	132913	Body Comp	1	
2-23	012255	Washer	1	6.2x22xt0.6
2-24	016972	Bellows Packing	1	5x22xt1.5
2-25	011451	Bellows	1	
2-26	122496	Valve Rod	1	
2-27	107238	Valve Ball	1	12.7(1/2)
2-28	096034	Bolt	2	M6x20
2-29	132884	Cock Ass'y	2	R3/8xG3/8

3. MS40V
ACCESSORIES



Ref. No.	Part No.	Part Name	Q'ty	Remarks
3-1	132900	Hose	1	13x19x5000
3-2	131306	Hose Band	1	#13-19
3-3	132901	Suction Hose Ass'y	1	Incl.4 19x23x5000
3-4	132906	Packing	1	
3-5	132908	Suction Strainer Ass'y	1	
3-6	132911	Hose Band	1	#20-30
3-7	132885	Instruction Manual	1	MS40V