

PARTS LIST

MS40LI

CONTENTS

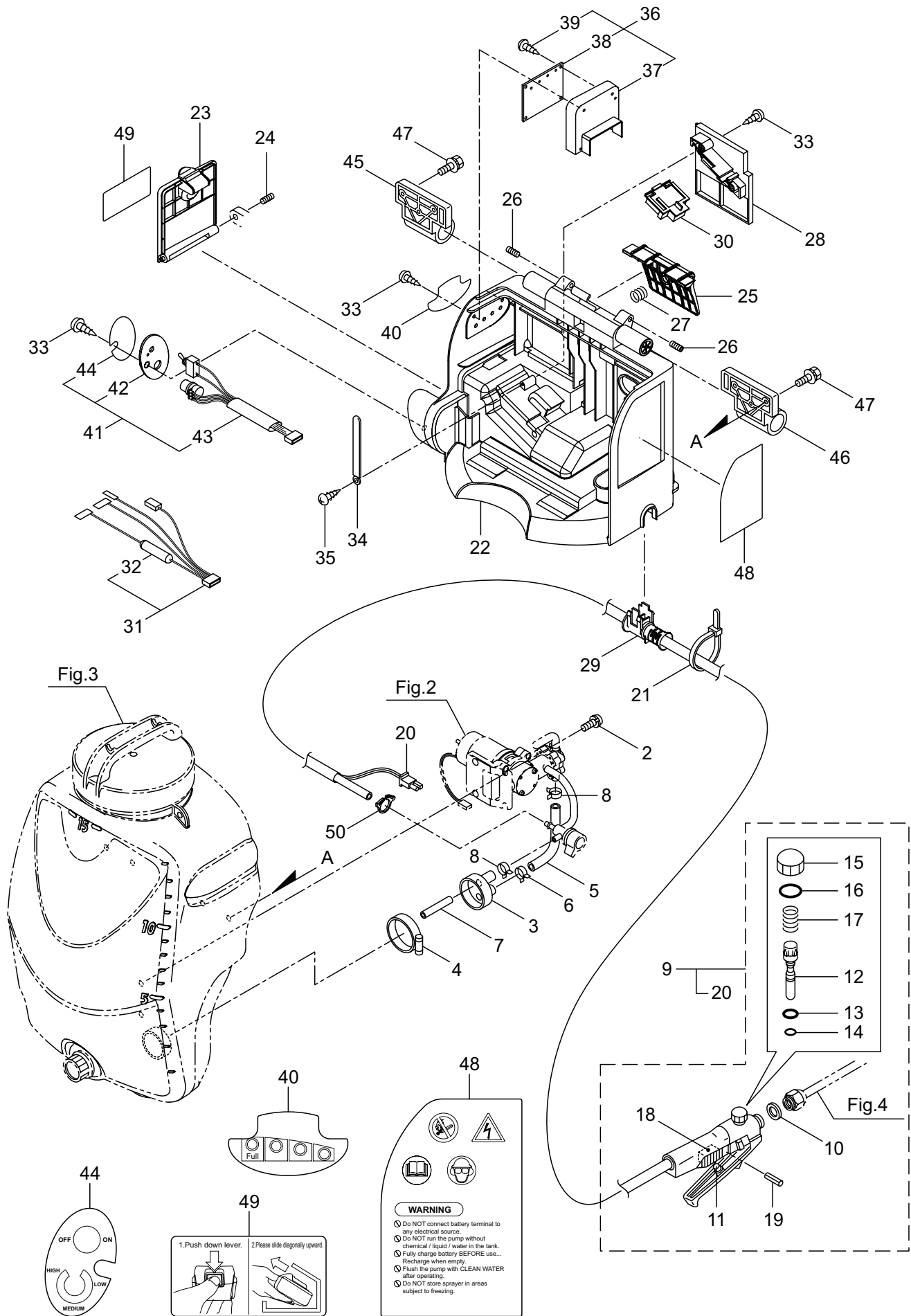
| | |
|-----------------------|--------|
| 1. MAIN BODY..... | 1 ~ 4 |
| 2. PUMP..... | 5 ~ 6 |
| 3. CHEMICAL TANK..... | 7 ~ 8 |
| 4. ACCESSORIES..... | 9 ~ 10 |

2016.03.



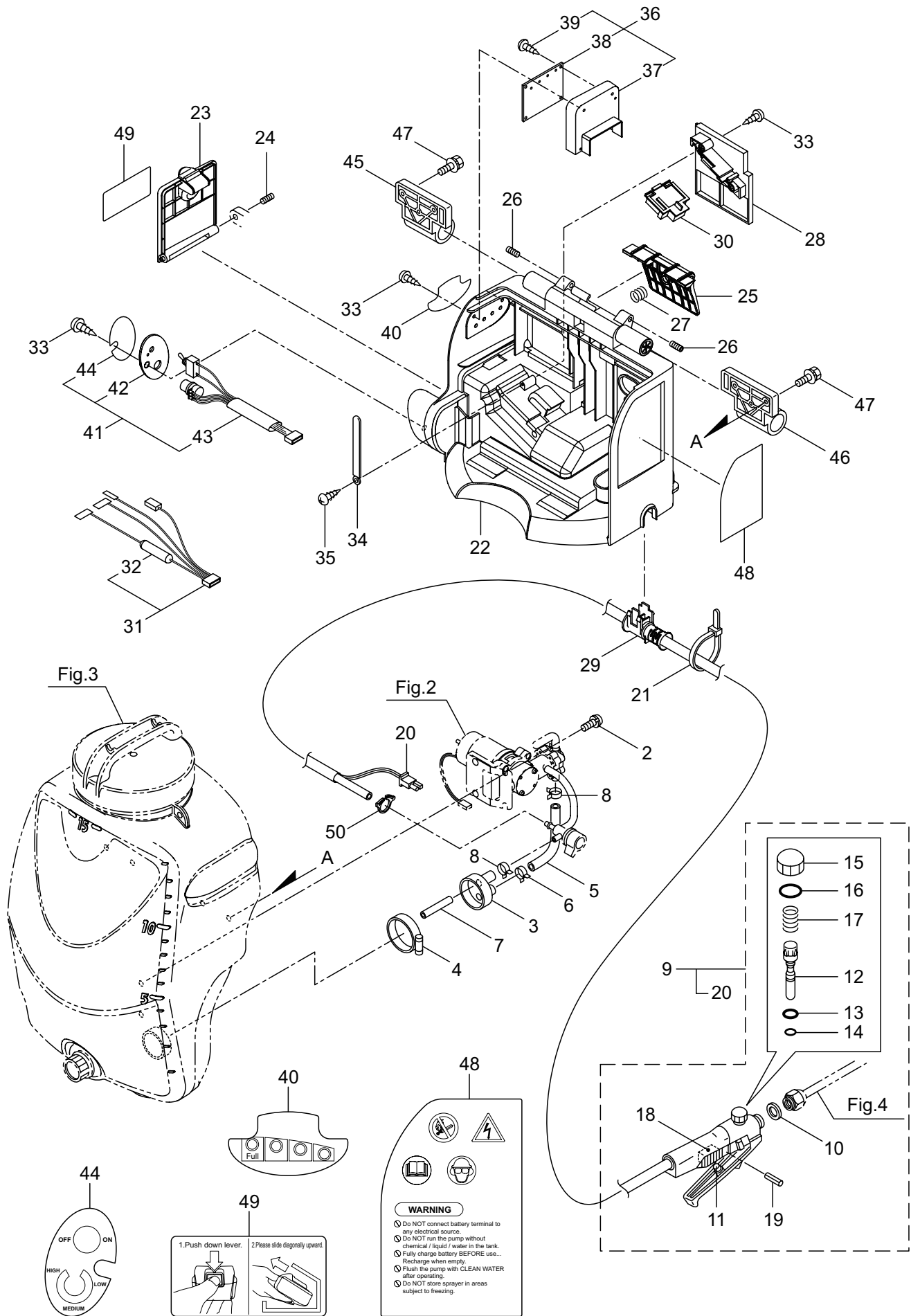
P/N 524276

1. MS40LI MAIN BODY



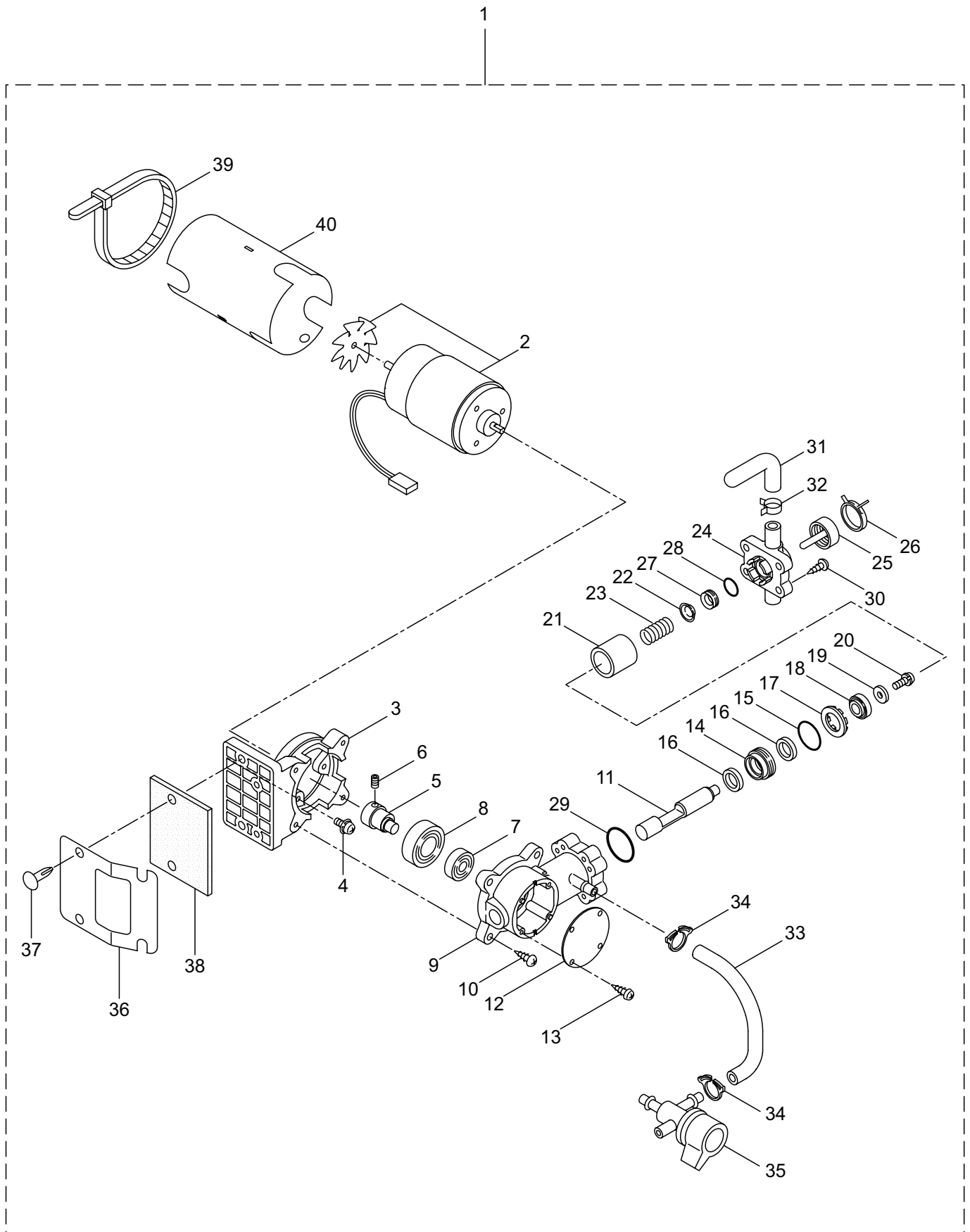
| Ref. No. | Parts No. | Parts Name | Q'ty | Remarks |
|----------|-----------|-----------------------|------|------------|
| 1-1 | 353080 | MS40LI | 1 | |
| 1-2 | 126760 | Screw | 2 | M6x10 |
| 1-3 | 125903 | Hose Boots | 1 | |
| 1-4 | 124813 | Band | 1 | |
| 1-5 | 125902 | Hose | 1 | |
| 1-6 | 531145 | Hose Band | 1 | 130-06-00 |
| 1-7 | 131435 | Hose | 1 | 5x9x50 |
| 1-8 | 043832 | Hose Band | 2 | |
| 1-9 | 423244 | Grip Ass'y | 1 | Incl.10-20 |
| 1-10 | 115865 | Packing | 1 | 12x17.5xt3 |
| 1-11 | 131527 | Pad | 1 | |
| 1-12 | 117547 | Valve | 1 | |
| 1-13 | 124612 | O-Ring | 1 | |
| 1-14 | 014194 | O-Ring | 1 | S4 |
| 1-15 | 117070 | Cap | 1 | |
| 1-16 | 011345 | O-Ring | 1 | P12 |
| 1-17 | 117074 | Spring | 1 | |
| 1-18 | 117549 | Switch | 1 | |
| 1-19 | 550166 | Spring Pin | 1 | 2.5x14 |
| 1-20 | 131561 | Connector | 1 | |
| 1-21 | 107046 | Band | 1 | CV-125 |
| 1-22 | 131439 | Base | 1 | |
| 1-23 | 131446 | Cover | 1 | |
| 1-24 | 131448 | Set Screw | 1 | M6x20 |
| 1-25 | 132332 | Stopper | 1 | |
| 1-26 | 131449 | Set Screw | 2 | M6x35 |
| 1-27 | 130095 | Spring | 1 | |
| 1-28 | 131441 | Cover | 1 | |
| 1-29 | 131443 | Hose Guide | 1 | |
| 1-30 | 131444 | Terminal | 1 | |
| 1-31 | 131445 | Wire Harness | 1 | Incl.32 |
| 1-32 | 115385 | Fuse | 1 | |
| 1-33 | 128974 | Screw | 5 | M4x16 |
| 1-34 | 264588 | Clamp | 1 | |
| 1-35 | 132079 | Screw | 1 | M4x14 |
| 1-36 | 131450 | Substrate Ass'y | 1 | Incl.37-39 |
| 1-37 | 131451 | Cover | 1 | |
| 1-38 | 131453 | Substrate | 1 | |
| 1-39 | 130230 | Screw | 2 | M3x8 |
| 1-40 | 133554 | Label | 1 | |
| 1-41 | 133565 | Operation Panel Ass'y | 1 | Incl.42-44 |
| 1-42 | 131457 | Operation Panel | 1 | |
| 1-43 | 131459 | Wire Harness | 1 | |
| 1-44 | 133555 | Label | 1 | |
| 1-45 | 130137 | Bracket | 1 | R |

1. MS40LI MAIN BODY



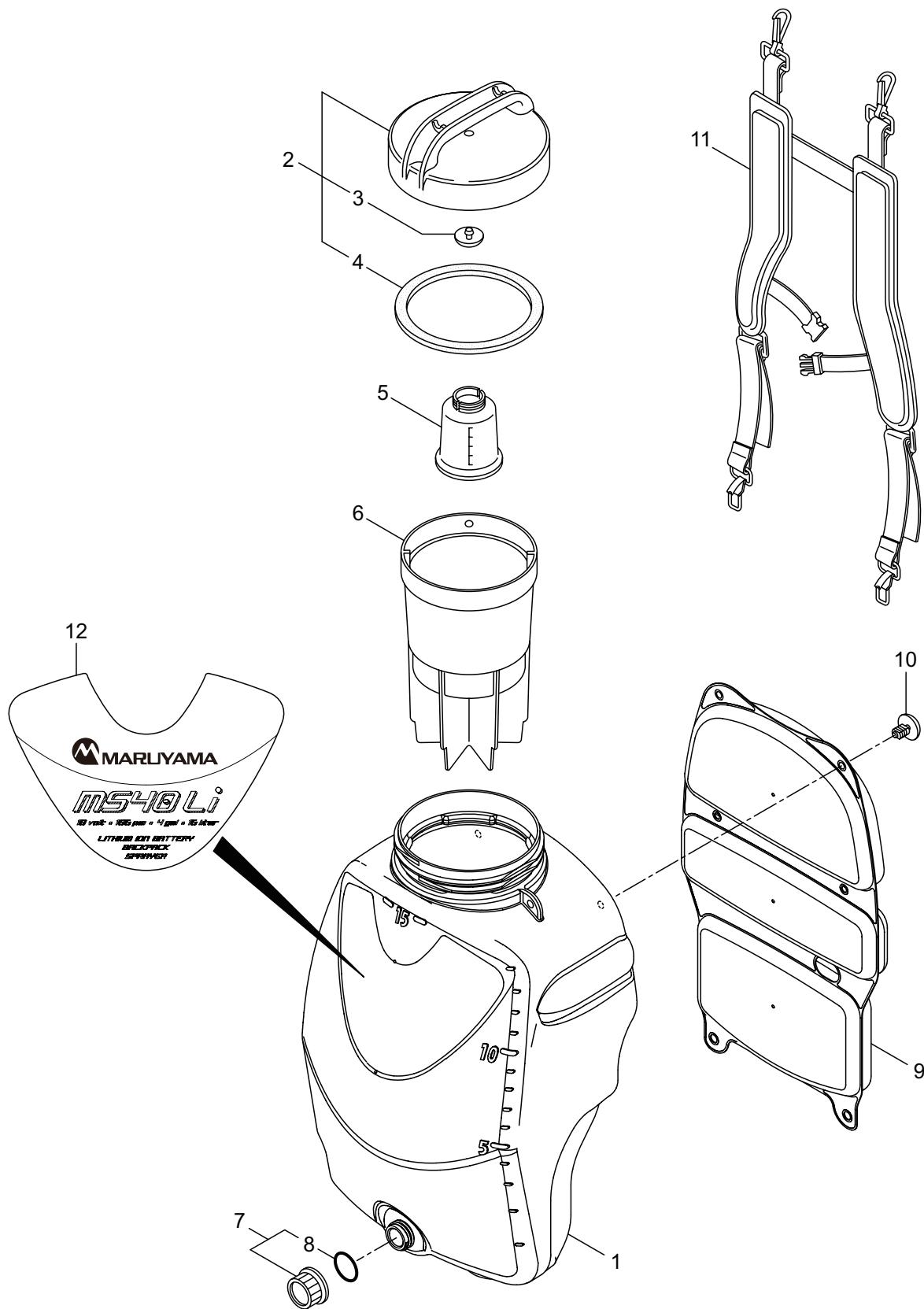
| Ref. No. | Parts No. | Parts Name | Q'ty | Remarks |
|----------|-----------|------------|------|---------|
| 1-46 | 130138 | Bracket | 1 | L |
| 1-47 | 125824 | Bolt | 4 | M6x16 |
| 1-48 | 133557 | Label | 1 | |
| 1-49 | 133558 | Label | 1 | |
| 1-50 | 125370 | Hose Clamp | 1 | |

2. MS40LI PUMP



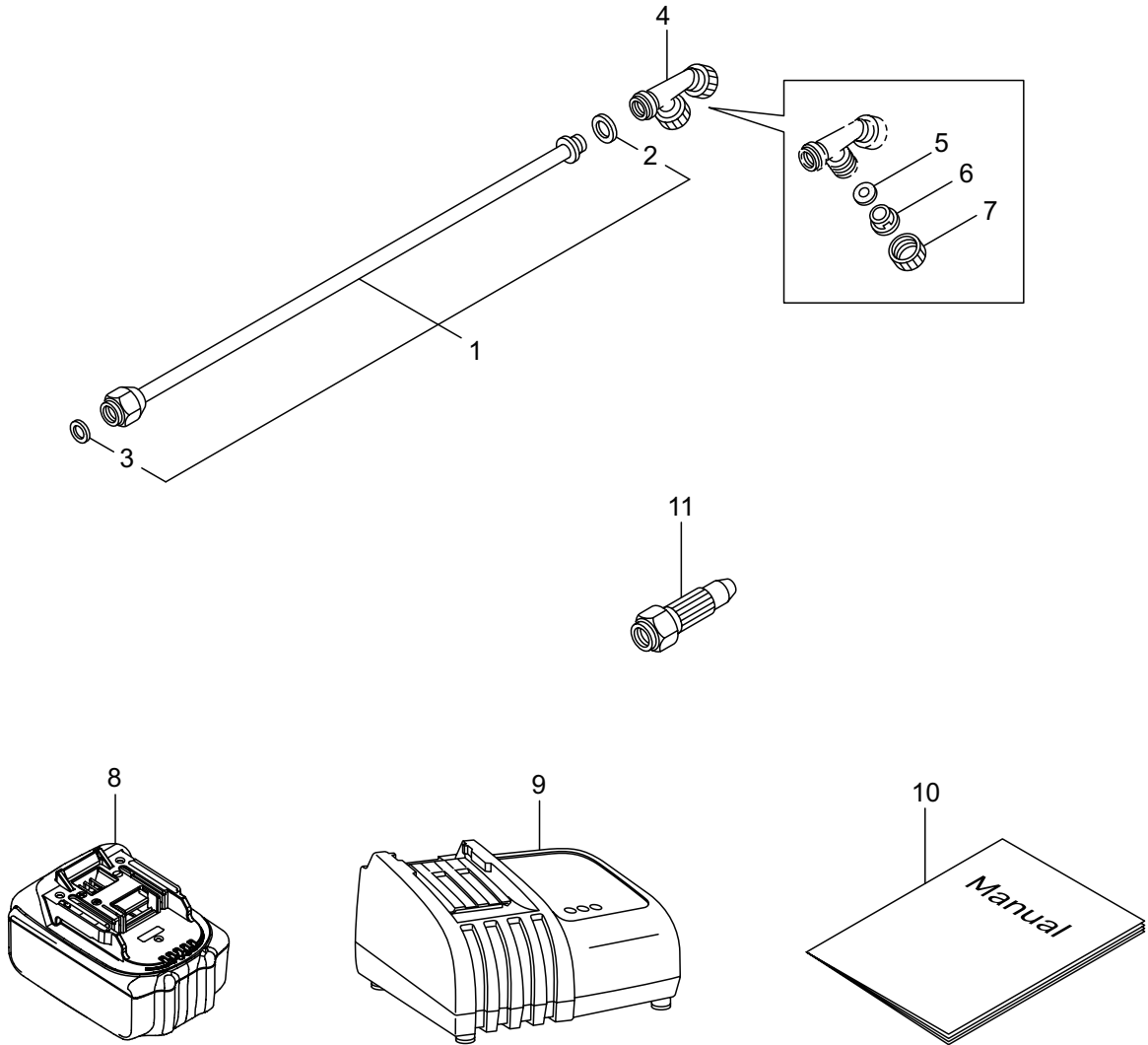
| Ref. No. | Parts No. | Parts Name | Q'ty | Remarks |
|----------|-----------|--------------------------------|------|-----------|
| 2-1 | 131430 | Pump Ass'y | 1 | Incl.2-40 |
| 2-2 | 423245 | Motor Ass'y | 1 | |
| 2-3 | 113216 | Flange | 1 | |
| 2-4 | 126752 | Screw | 3 | M3x0.5x10 |
| 2-5 | 123253 | Cam | 1 | |
| 2-6 | 089969 | Set Screw | 1 | M4x6 |
| 2-7 | 114000 | Bearing | 1 | #607ZZ |
| 2-8 | 102681 | Bearing | 1 | #6001ZZ |
| 2-9 | 123254 | Crankcase | 1 | |
| 2-10 | 132079 | Screw | 4 | M4x14 |
| 2-11 | 115233 | Piston | 1 | |
| 2-12 | 114003 | Plate | 1 | |
| 2-13 | 126754 | Screw | 2 | M3x8 |
| 2-14 | 126779 | Seal Case | 1 | |
| 2-15 | 013969 | O-Ring | 1 | S16 |
| 2-16 | 114005 | Packing | 2 | |
| 2-17 | 123256 | Seal Retainer | 1 | |
| 2-18 | 121434 | Piston Packing | 1 | |
| 2-19 | 114009 | Valve Seat | 1 | 4.2x11xt2 |
| 2-20 | 816018 | Screw | 1 | M4x0.7x8 |
| 2-21 | 123258 | Sylinder Pipe | 1 | |
| 2-22 | 116114 | Valve | 1 | |
| 2-23 | 132147 | Spring | 1 | |
| 2-24 | 116284 | Manifold | 1 | |
| 2-25 | 116128 | Pin Ass'y | 1 | |
| 2-26 | 126755 | Hose Band | 1 | |
| 2-27 | 115121 | Valve Seat | 1 | |
| 2-28 | 026531 | O-Ring | 1 | S8 |
| 2-29 | 014179 | O-Ring | 1 | P20 |
| 2-30 | 132079 | Screw | 4 | M4x14 |
| 2-31 | 125877 | Cap | 1 | |
| 2-32 | 043832 | Hose Band | 1 | |
| 2-33 | 131432 | Hose | 1 | |
| 2-34 | 125370 | Hose Clamp | 2 | |
| 2-35 | 123290 | Pressure Regulator Valve Ass'y | 1 | |
| 2-36 | 125889 | Plate | 1 | |
| 2-37 | 123461 | Fastener | 2 | |
| 2-38 | 116304 | Buffer | 1 | |
| 2-39 | 123421 | Band | 1 | |
| 2-40 | 126751 | Heat Shield Plate | 1 | |

3. MS40LI CHEMICAL TANK



| Ref. No. | Parts No. | Parts Name | Q'ty | Remarks |
|----------|-----------|--------------------|------|----------|
| 3-1 | 131433 | Chemical Tank | 1 | 15L |
| 3-2 | 125876 | Cap, Chemical Tank | 1 | Incl.3,4 |
| 3-3 | 126668 | Valve | 1 | |
| 3-4 | 123216 | Packing | 1 | |
| 3-5 | 125063 | Measure cup | 1 | |
| 3-6 | 125878 | Strainer | 1 | |
| 3-7 | 131542 | Cap Ass'y | 1 | Incl.8 |
| 3-8 | 014818 | O-Ring | 1 | W1516-16 |
| 3-9 | 131461 | Cushion Pad | 1 | |
| 3-10 | 125068 | Fastener | 4 | |
| 3-11 | 130219 | Knapsack Band | 1 | |
| 3-12 | 133556 | Label | 1 | MS40LI |

4. MS40LI
ACCESSORIES



| Ref. No. | Parts No. | Parts Name | Q'ty | Remarks |
|----------|-----------|--------------------|------|----------------|
| 4-1 | 122933 | Nozzle Pipe Ass'y | 1 | Incl.2,3 |
| 4-2 | 112850 | Packing | 1 | 11.5x15.5xt1.5 |
| 4-3 | 112851 | Packing | 1 | 7x11xt1.5 |
| 4-4 | 117958 | Wide Nozzle Ass'y | 1 | Incl.5-7 |
| 4-5 | 103171 | Packing | 2 | H-704 |
| 4-6 | 412894 | Nozzle Plate | 2 | NN-D-5S |
| 4-7 | 103173 | Cap | 2 | |
| 4-8 | 133560 | Battery | 1 | |
| 4-9 | 133552 | Battery Charger | 1 | |
| 4-10 | 133562 | Instruction Manual | 1 | MS40LI |
| 4-11 | 127460 | Nozzle Ass'y | 1 | |