

PARTS LIST

MS331

CONTENTS

| | |
|-----------------------------------|-------|
| 1. CRANKCASE, SUCTION VALVE | 1 ~ 2 |
| 2. PRESSURE REGULATOR VALVE..... | 3 ~ 4 |
| 3. ACCESSORIES | 5 ~ 6 |

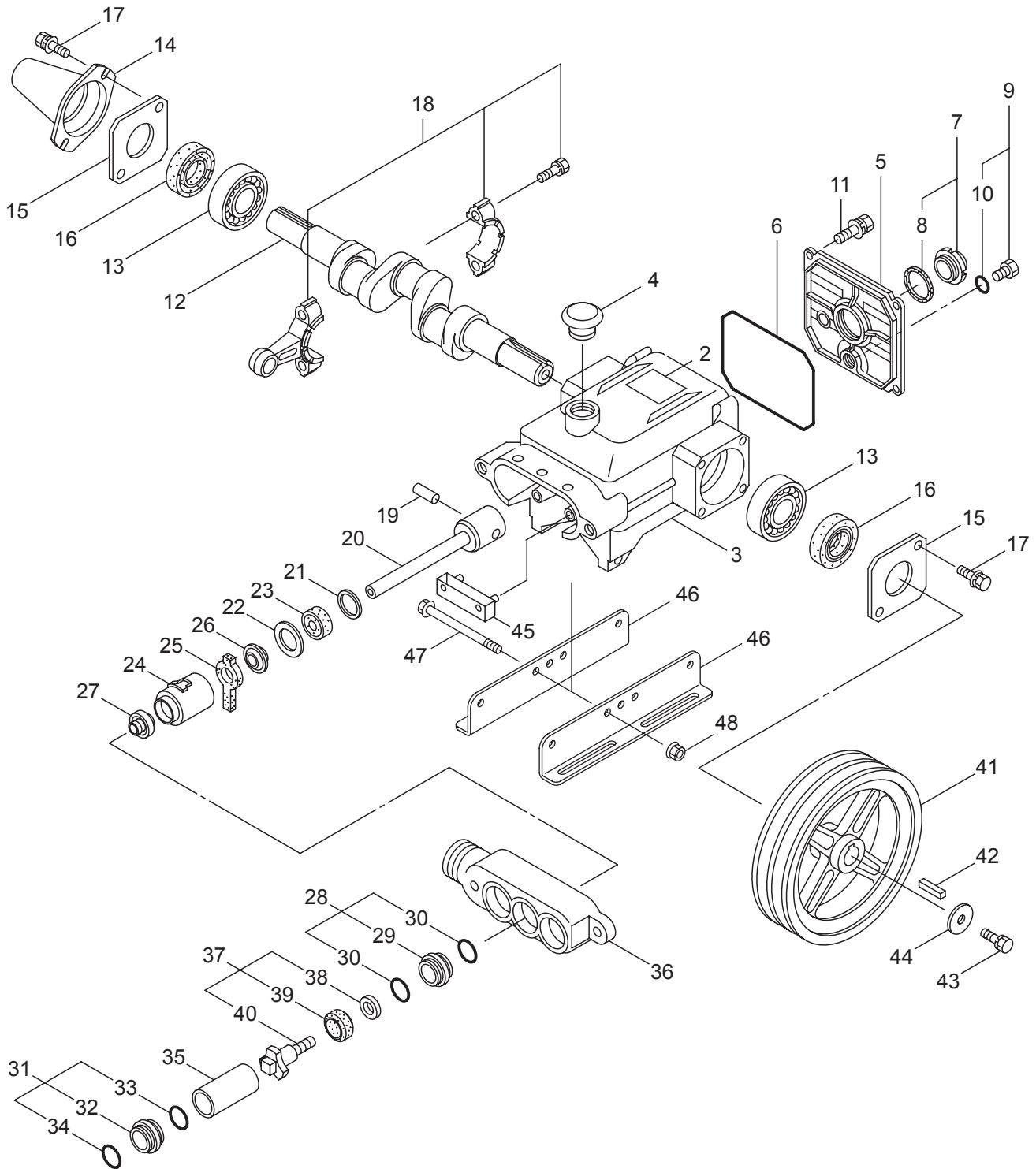
2013. 10.



P/N E523692

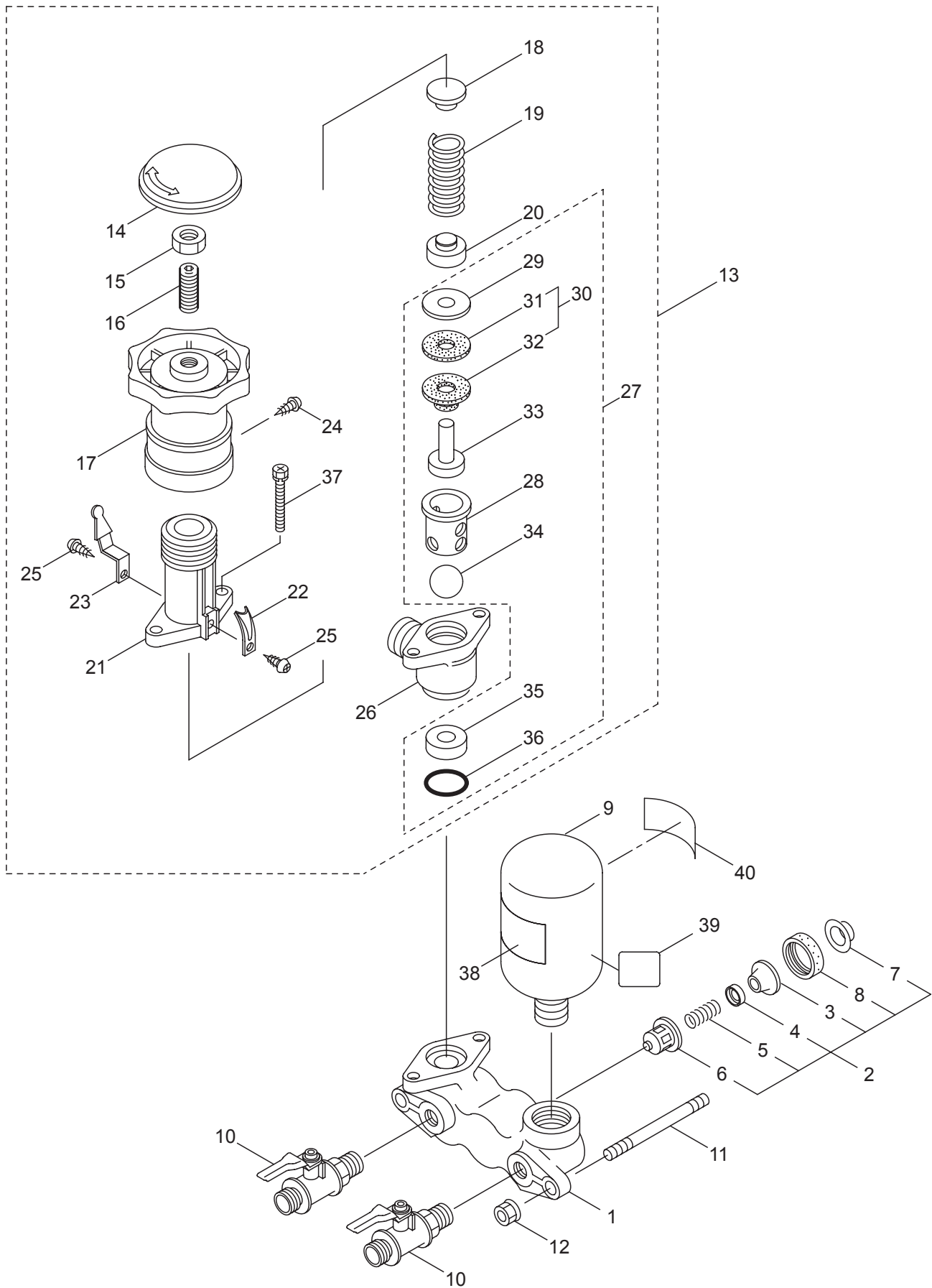
| Ref. No. | Part No. | Part Name | Q'ty | Remarks |
|----------|----------|-----------------------|------|---------------|
| 1-1 | 354149 | MS331 | 1 | |
| 1-2 | 130916 | Label | 1 | MS331 |
| 1-3 | 118176 | Crankcase | 1 | |
| 1-4 | 117420 | Oil Filler Cap | 1 | |
| 1-5 | 830216 | Rear Cover, Crankcase | 1 | |
| 1-6 | 014041 | O-Ring | 1 | S100 |
| 1-7 | 092241 | Oil Gauge Ass'y | 1 | Incl.8 |
| 1-8 | 044428 | Packing | 1 | 25x34xt2.5 |
| 1-9 | 091376 | Drain Plug | 1 | Incl.10, G1/4 |
| 1-10 | 023170 | O-Ring | 1 | P12.5 |
| 1-11 | 125824 | Bolt | 4 | M6x16 |
| 1-12 | 103921 | Crankshaft | 1 | |
| 1-13 | 014487 | Bearing | 2 | #6304 |
| 1-14 | 025130 | Shaft Protector | 1 | |
| 1-15 | 117424 | Plate | 2 | |
| 1-16 | 117423 | Oil Seal | 2 | TC20528 |
| 1-17 | 125824 | Bolt | 4 | M6x16 |
| 1-18 | 048734 | Connecting Rod Ass'y | 3 | |
| 1-19 | 016948 | Piston Pin | 3 | 9x22L |
| 1-20 | 131358 | Piston Rod | 3 | |
| 1-21 | 126259 | Washer | 3 | 17x24xT1.2 |
| 1-22 | 126189 | Washer | 3 | 20x28xT1.2 |
| 1-23 | 025461 | Oil Seal | 3 | S10.5247 |
| 1-24 | 027710 | Seal Retainer | 3 | |
| 1-25 | 130515 | Felt Packing | 3 | |
| 1-26 | 026853 | Packing | 3 | |
| 1-27 | 100015 | Seal | 3 | |
| 1-28 | 091109 | Adapter Ass'y | 3 | Incl.29,30 |
| 1-29 | 016957 | Adapter | 3 | |
| 1-30 | 015862 | O-Ring | 6 | P21 |
| 1-31 | 091108 | Adapter Ass'y | 3 | Incl.32-34 |
| 1-32 | 022931 | Adapter | 3 | |
| 1-33 | 015862 | O-Ring | 3 | P21 |
| 1-34 | 023172 | O-Ring | 3 | P22 |
| 1-35 | 022929 | Cylinder Pipe | 3 | 25x28.5x55L |
| 1-36 | 027713 | Inlet Manifold | 1 | |
| 1-37 | 620661 | Inlet Valve Ass'y | 3 | Incl.38-40 |
| 1-38 | 124277 | Inlet Valve Seat | 3 | 6.1x20xt2.8 |
| 1-39 | 116121 | Piston Packing | 3 | |
| 1-40 | 118628 | Piston Retainer | 3 | |
| 1-41 | 100837 | V-Pulley | 1 | 152-Ax2 |
| 1-42 | 014543 | Key | 1 | 5x5x25L |
| 1-43 | 126258 | Bolt | 1 | M8x20 |
| 1-44 | 126198 | Washer | 1 | 8.5x30xT3.2 |
| 1-45 | 027712 | Oil Pan | 1 | |

1. MS331
CRANKCASE, SUCTION VALVE



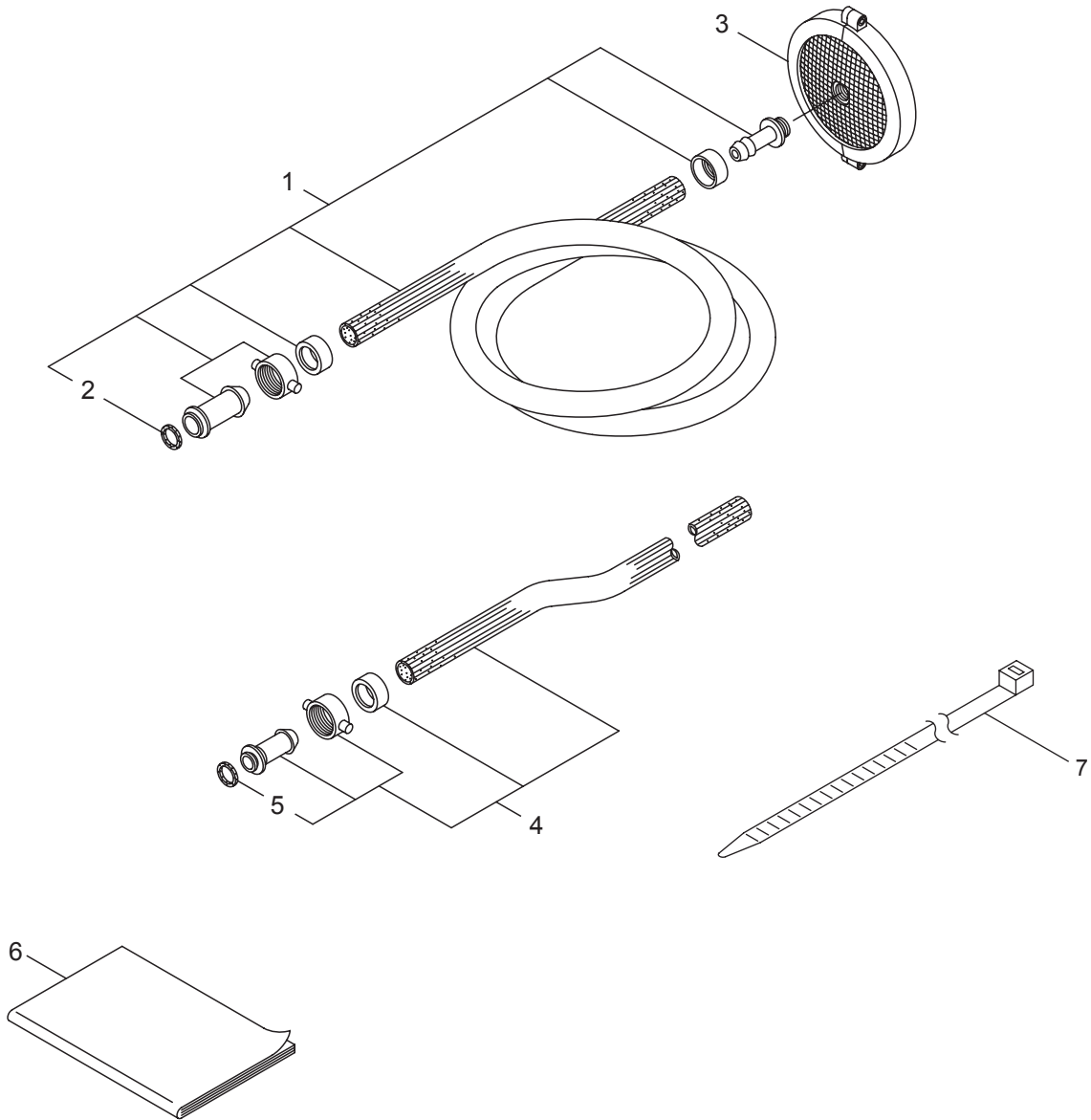
| Ref. No. | Part No. | Part Name | Q'ty | Remarks |
|----------|----------|-----------|------|-----------|
| 1-46 | 117633 | Rail | 2 | |
| 1-47 | 126200 | Bolt | 2 | M8x115x30 |
| 1-48 | 126201 | Nut | 2 | M8 |

2. MS331
PRESSURE REGULATOR VALVE



| Ref. No. | Part No. | Part Name | Q'ty | Remarks |
|----------|----------|--------------------------------|------|--------------|
| 2-1 | 118409 | Discharge Manifold | 1 | |
| 2-2 | 120276 | Discharge Valve Ass'y | 3 | Incl.3-8 |
| 2-3 | 120277 | Discharge Valve Seat | 3 | |
| 2-4 | 043723 | Discharge Valve | 3 | |
| 2-5 | 043360 | Discharge Valve Spring | 3 | |
| 2-6 | 120278 | Retainer | 3 | |
| 2-7 | 105513 | Packing Ring | 3 | |
| 2-8 | 105514 | Valve Case | 3 | |
| 2-9 | 117813 | Air Chamber | 1 | |
| 2-10 | 117609 | Cock Ass'y | 2 | G1/4xR1/4 |
| 2-11 | 130917 | Stud | 2 | M8x150x11x18 |
| 2-12 | 126201 | Nut | 2 | M8 |
| 2-13 | 130909 | Pressure Regulator Valve Ass'y | 1 | Incl.14-37 |
| 2-14 | 130910 | Cap | 1 | |
| 2-15 | 126195 | Nut | 1 | M10 |
| 2-16 | 088975 | Screw | 1 | M10x48 |
| 2-17 | 130911 | Grip | 1 | |
| 2-18 | 126196 | Retainer | 1 | 17x2.3 |
| 2-19 | 105520 | Spring | 1 | |
| 2-20 | 105521 | Retainer | 1 | |
| 2-21 | 117448 | Case | 1 | |
| 2-22 | 117440 | Plate | 1 | |
| 2-23 | 105524 | Indicator | 1 | |
| 2-24 | 089882 | Screw | 2 | M4x14L |
| 2-25 | 127284 | Tapping Screw | 2 | M4x6 |
| 2-26 | 118237 | Body | 1 | |
| 2-27 | 620662 | C-Block | 1 | Incl.28-36 |
| 2-28 | 012256 | Retainer | 1 | |
| 2-29 | 012255 | Washer | 1 | 6.2x22xt0.6 |
| 2-30 | 595606 | Bellows Packing Set | 1 | Incl.31,32 |
| 2-31 | 016972 | Bellows Packing | 1 | 5x22xt1.5 |
| 2-32 | 011451 | Bellows | 1 | |
| 2-33 | 016975 | Valve Rod | 1 | |
| 2-34 | 107238 | Valve Ball | 1 | 12.7(1/2) |
| 2-35 | 117443 | Valve Seat | 1 | |
| 2-36 | 014179 | O-Ring | 1 | P20 |
| 2-37 | 126197 | Bolt | 2 | M6x55 |
| 2-38 | 108465 | Label | 1 | |
| 2-39 | 117781 | Label | 1 | |
| 2-40 | 117777 | Label | 1 | |

3. MS331
ACCESSORIES



| Ref. No. | Part No. | Part Name | Q'ty | Remarks |
|----------|----------|------------------------|------|--------------------|
| 3-1 | 105936 | Suction Hose Ass'y | 1 | Incl.2 19x13x3000L |
| 3-2 | 103686 | Packing | 1 | 18.5x24xt2 |
| 3-3 | 122017 | Suction Strainer Ass'y | 1 | |
| 3-4 | 104344 | Spill Hose Ass'y | 1 | Incl.5 13x19x3000L |
| 3-5 | 103685 | Packing | 1 | 12x18.5xt1.5 |
| 3-6 | 130912 | Instruction Manual | 1 | MS155,331 |
| 3-7 | 107107 | Band | 1 | |