

PARTS LIST

MS331

CONTENTS

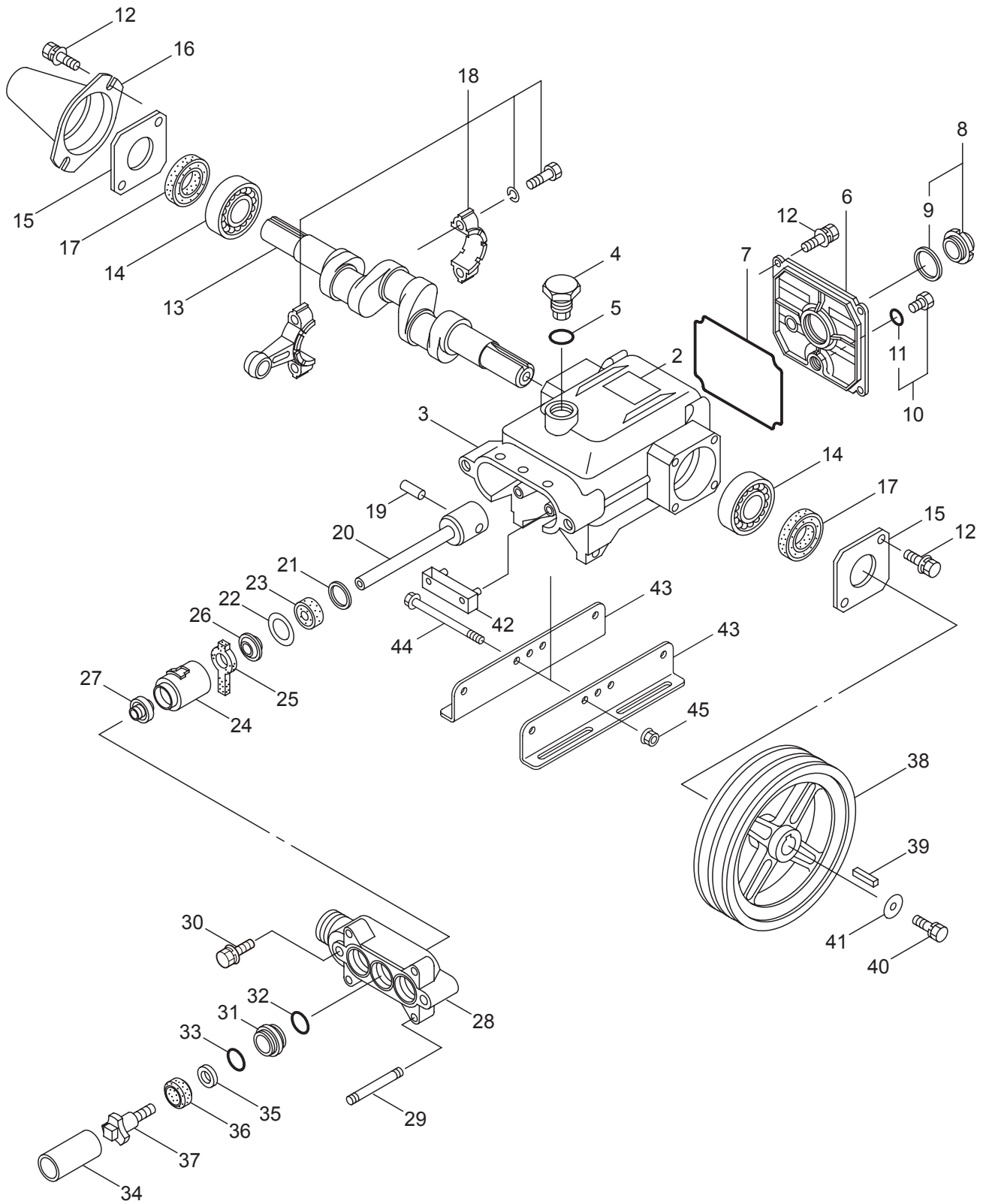
1. CRANKCASE, SUCTION VALVE	1 ~ 2
2. PRESSURE REGULATOR VALVE.....	3 ~ 4
3. ACCESSORIES	5 ~ 6

2013. 01.



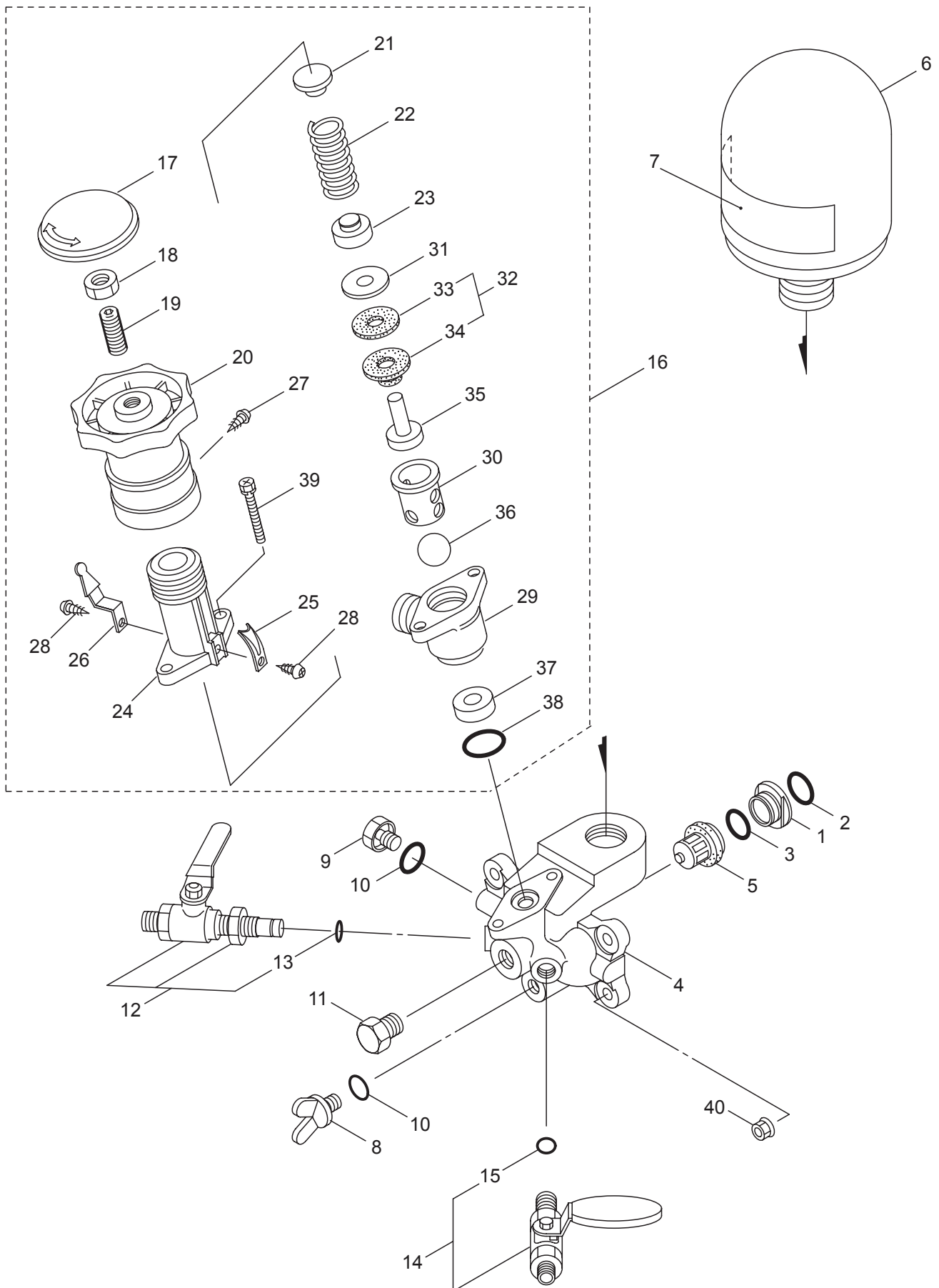
P/N 523552

1. MS331
CRANKCASE, SUCTION VALVE



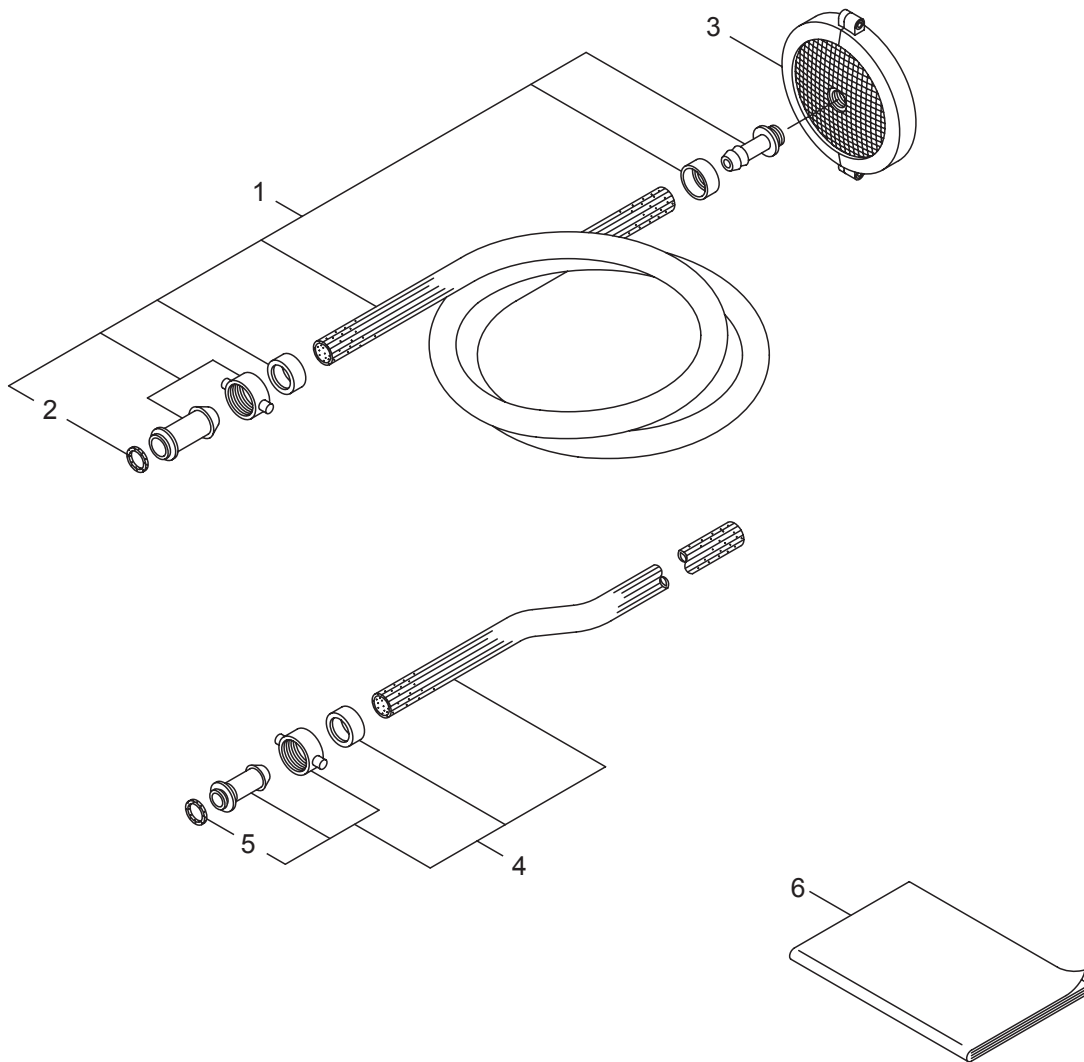
Ref. No.	Part No.	Part Name	Q'ty	Remarks
1-1	354167	MS331	1	
1-2	130916	Label	1	MS331
1-3	120655	Crankcase	1	
1-4	046798	Oil Filler Cap	1	
1-5	014179	O-Ring	1	P20
1-6	830216	Rear Cover, Crankcase	1	
1-7	014041	O-Ring	1	S100
1-8	092241	Oil Gauge Ass'y	1	Incl.9
1-9	044428	Packing	1	25x34xt2.5
1-10	091376	Drain Plug	1	Incl.11, G1/4
1-11	023170	O-Ring	1	P12.5
1-12	125824	Bolt	8	M6x16
1-13	103921	Crankshaft	1	
1-14	014487	Bearing	2	#6304
1-15	117424	Plate	2	
1-16	025130	Shaft Protector	1	
1-17	117423	Oil Seal	2	TC20528
1-18	048734	Connecting Rod Ass'y	3	
1-19	016948	Piston Pin	3	9x22L
1-20	131358	Piston Rod	3	
1-21	126259	Washer	3	17x24xT1.2
1-22	126189	Washer	3	20x28xT1.2
1-23	025461	Oil Seal	3	S10.5247
1-24	027710	Seal Retainer	3	
1-25	130515	Felt Packing	3	
1-26	026853	Packing	3	
1-27	100015	Seal	3	
1-28	105507	Inlet Manifold	1	
1-29	089529	Stud	4	M8x90x11x18
1-30	128352	Bolt	2	M8X45
1-31	022931	Adapter	3	
1-32	023172	O-Ring	3	P22
1-33	015862	O-Ring	3	P21
1-34	022929	Cylinder Pipe	3	25x28.5x55L
1-35	124277	Inlet Valve Seat	3	6.1x20xt2.8
1-36	091006	Piston Packing Ass'y	3	
1-37	118628	Piston Retainer	3	
1-38	100837	V-Pulley	1	152-Ax2
1-39	014543	Key	1	5x5x25L
1-40	126258	Bolt	1	M8x20
1-41	126198	Washer	1	8.5x30xT3.2
1-42	027712	Oil Pan	1	
1-43	117633	Rail	2	
1-44	126200	Bolt	2	M8x115x30
1-45	126201	Nut	2	M8

2. MS331
PRESSURE REGULATOR VALVE



Ref. No.	Part No.	Part Name	Q'ty	Remarks
2-1	105509	Adapter	3	
2-2	015862	O-Ring	3	P21
2-3	023172	O-Ring	3	P22
2-4	108676	Discharge Manifold	1	
2-5	120276	Discharge Valve Ass'y	3	
2-6	107752	Air Chamber	1	
2-7	108465	Label	1	
2-8	108366	Drain Plug	1	G1/4
2-9	108367	Plug	1	G1/4
2-10	023170	O-Ring	2	P12.5
2-11	108368	Plug	1	R1/2
2-12	108361	Cock Ass'y	1	Incl.13, G1/4
2-13	022056	O-Ring	1	P7
2-14	108394	Cock Ass'y	1	Incl.15
2-15	011373	O-Ring	1	P10
2-16	131990	Pressure Regulator Valve Ass'y	1	Incl.17-39
2-17	130910	Cap	1	
2-18	126195	Nut	1	M10
2-19	088975	Screw	1	M10x48
2-20	130911	Grip	1	
2-21	126196	Retainer	1	17x2.3
2-22	105520	Spring	1	
2-23	105521	Retainer	1	
2-24	117448	Case	1	
2-25	117440	Plate	1	
2-26	105524	Indicator	1	
2-27	089882	Screw	2	M4x14L
2-28	127284	Tapping Screw	2	M4x6
2-29	118237	Body	1	
2-30	012256	Retainer	1	
2-31	012255	Washer	1	6.2x22xt0.6
2-32	595606	Bellows Packing Set	1	Incl.33,34
2-33	016972	Bellows Packing	1	5x22xt1.5
2-34	011451	Bellows	1	
2-35	016975	Valve Rod	1	
2-36	107238	Valve Ball	1	12.7(1/2)
2-37	120659	Valve Seat	1	
2-38	029313	O-Ring	1	19.8x2.6
2-39	126197	Bolt	2	M6x55
2-40	126201	Nut	4	M8

3. MS331
ACCESSORIES



Ref. No.	Part No.	Part Name	Q'ty	Remarks
3-1	105936	Suction Hose Ass'y	1	Incl.2
3-2	103686	Packing	1	18.5x24xt2
3-3	122017	Suction Strainer Ass'y	1	
3-4	104344	Spill Hose Ass'y	1	Incl.5
3-5	103685	Packing	1	12x18.5xt1.5
3-6	131991	Instruction Manual	1	MS331