

PARTS LIST

MS330EAB

CONTENTS

1. FRAME	1 ~ 2
2. POWER SPRAYER (CRANKCASE, INLET VALVE)	3 ~ 4
3. POWER SPRAYER (DISCHARGE VALVE, PRESSURE REGULATOR VALVE)....	5 ~ 6
4. ENGINE (CRANKCASE, CYLINDER HEAD)	7 ~ 8
5. ENGINE (CRANK SHAFT, PISTON, MUFFLER, AIR, CLEANER)	9 ~ 10
6. ENGINE (GOVERNOR, FUEL TANK, CARBURETOR)	11 ~ 14
7. ENGINE (COVER, RECOIL STRATER, MAGNETO).....	15 ~ 16
8. ACCESSORIES	17 ~ 18

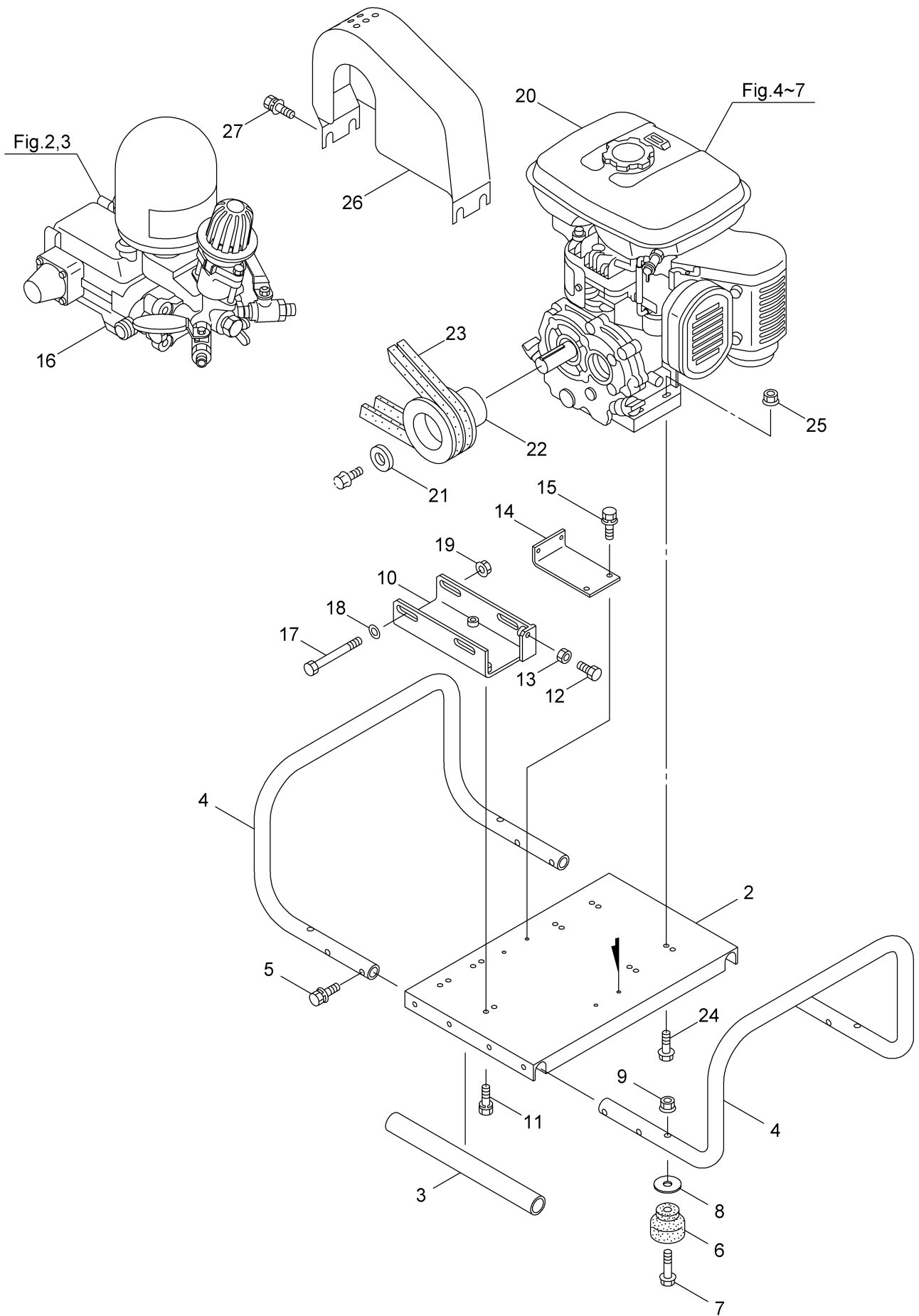
2008.01



MARUYAMA

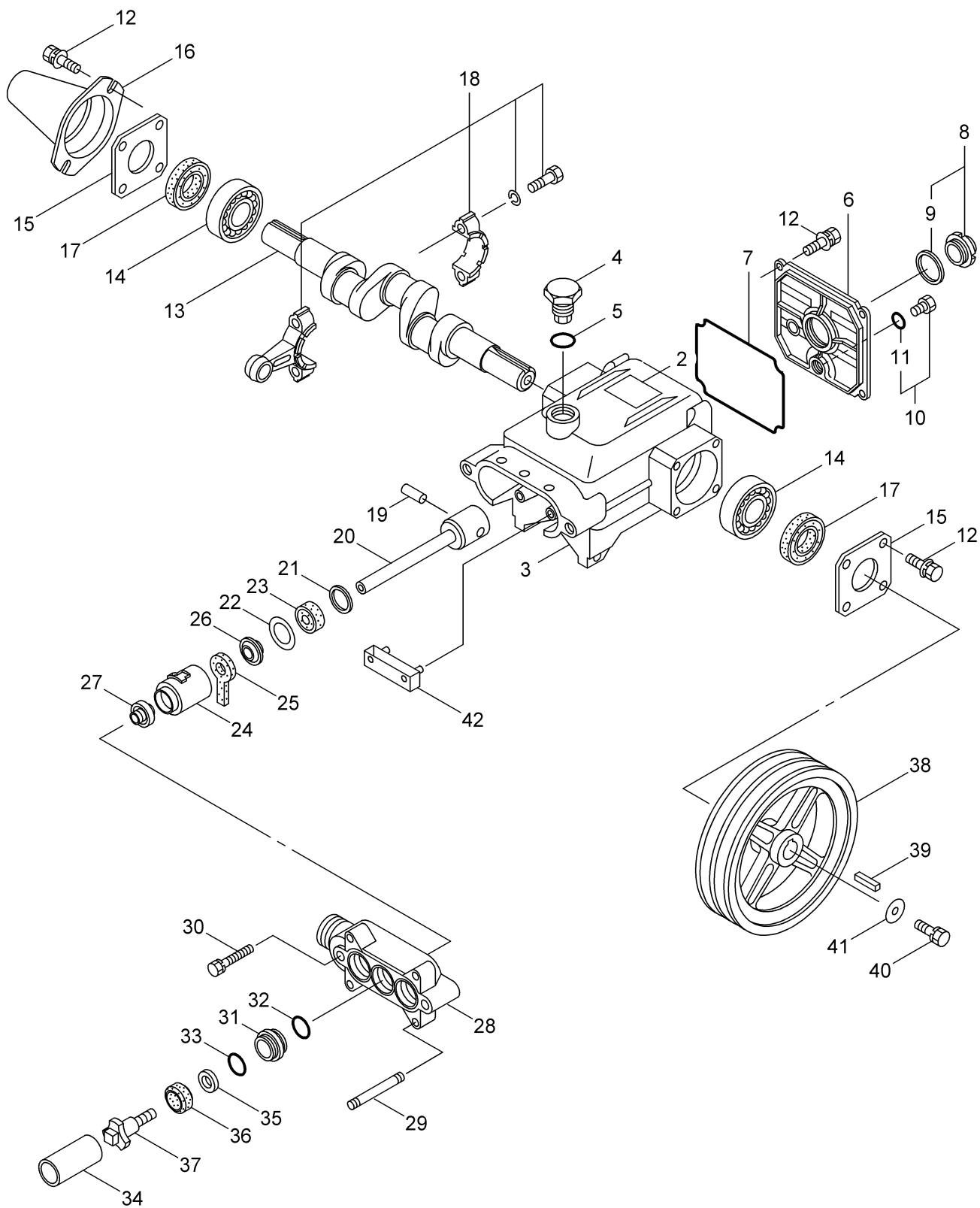
P/N. 522517

1. MS330EAB FRAME



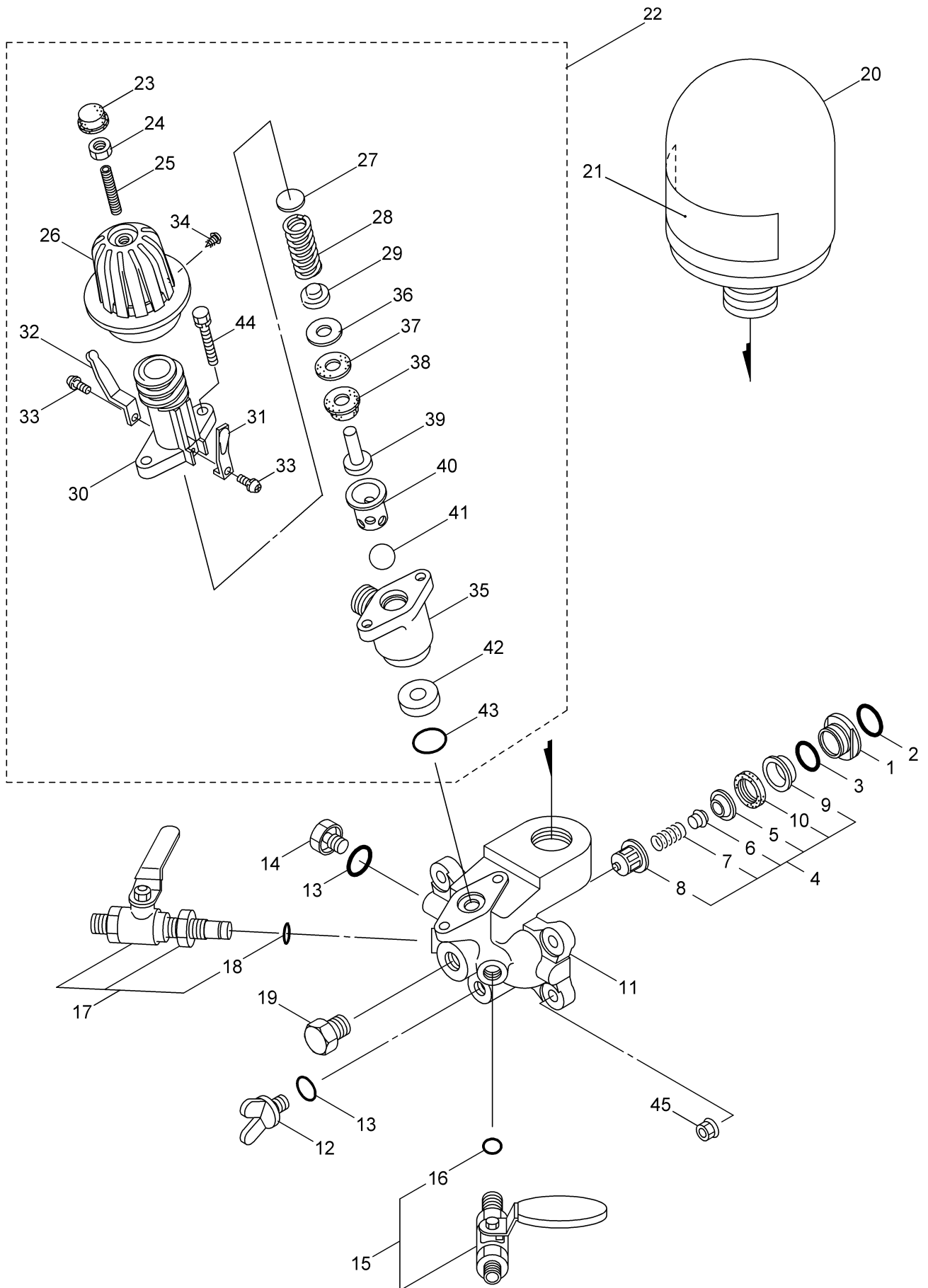
Ref.No.	Parts No.	Parts Name	Q'ty	Remarks
1-1	929353	MS330EAB	1	
1-2	545637	Base	1	
1-3	549362	Pipe	2	
1-4	546701	Handle	2	
1-5	817018	Bolt	8	M8x50
1-6	543921	Buffer	4	
1-7	092581	Bolt	4	M8x50
1-8	019059	Washer	4	8.5x25xt2.6
1-9	101804	Nut	4	M8
1-10	545640	Rail	1	
1-11	096036	Bolt	3	M8x25
1-12	080178	Bolt	1	M8x60
1-13	126521	Nut	1	M8
1-14	545639	Stay	1	140x66x34xt3
1-15	817004	Bolt	2	M6x12
1-16	818417	MS330	1	
1-17	080275	Bolt	2	M8x115x30
1-18	014065	Washer	2	M8
1-19	101804	Nut	2	M8
1-20	540037	Engine	1	EY152BB0030
1-21	169184	Washer	1	8.5x28xt2.3
1-22	540378	V-Pulley	1	68-Ax2
1-23	028845	V-Belt	2	A25
1-24	549533	Bolt	4	M8x40
1-25	101804	Nut	4	M8
1-26	111218	Belt Cover	1	
1-27	092519	Bolt	4	M6x16

2. MS330EAB POWER SPRAYER CRANKCASE, INLET VALVE



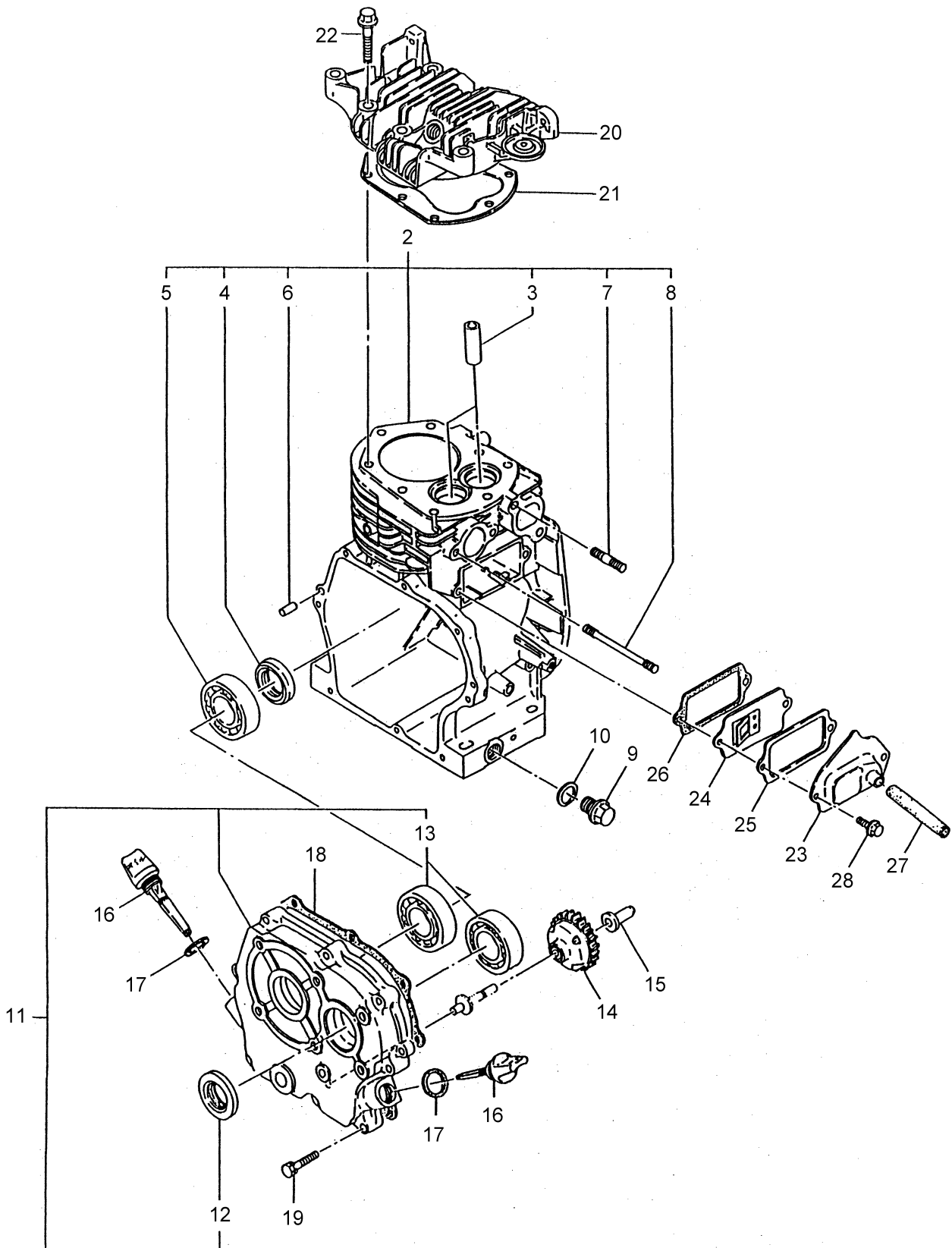
Ref.No.	Parts No.	Parts Name	Q'ty	Remarks
2-1	818417	MS330	1	
2-2	119691	Label	1	MS330
2-3	120655	Crankcase	1	
2-4	046798	Oil Filler Cap	1	
2-5	014179	O-Ring	1	P20
2-6	118646	Rear Cover,Crankcase	1	P/N118643
2-7	014041	O-Ring	1	S100
2-8	092241	Oil Gauge Ass'y	1	Incl.9
2-9	044428	Packing	1	25x34xt2
2-10	091376	Drain Plug	1	Incl.11,PF1/4
2-11	023170	O-Ring	1	P12.5
2-12	125824	Bolt	8	M6x16
2-13	103921	Crankshaft	1	
2-14	014487	Bearing	2	#6304
2-15	117424	Plate	2	
2-16	025130	Shaft Protector	1	
2-17	117423	Oil Seal	2	TC20528
2-18	048734	Connecting Rod Ass'y	3	
2-19	016948	Piston Pin	3	9X22L
2-20	118183	Piston Rod	3	
2-21	020017	Washer	3	17x24xt1.2
2-22	026854	Washer	3	20x28xt1.2
2-23	025461	Oil Seal	3	S10.5247
2-24	027710	Seal Retainer	3	
2-25	027711	Felt Packing	3	
2-26	026853	Packing	3	
2-27	100015	Seal	3	
2-28	105507	Inlet Manifold	1	
2-29	085684	Stud	4	M8x91x11x18
2-30	126190	Bolt	2	M8x45
2-31	022931	Adapter	3	
2-32	023172	O-Ring	3	P22
2-33	015862	O-Ring	3	P21
2-34	022929	Cylinder Pipe	3	25x28.5x55L
2-35	124277	Inlet Valve Seat	3	6.1x20xt2.8
2-36	091006	Piston Packing	3	
2-37	118628	Piston Retainer	3	
2-38	100837	V-Pulley	1	152-Ax2
2-39	014543	Key	1	5x5x25L
2-40	092521	Bolt	1	M8x20
2-41	100836	Washer	1	8.5x30xt3.2
2-42	027712	Oil Pan	1	

3. MS330EAB POWER SPRAYER DISCHARGE VALVE, PRESSURE REGULATOR VALVE



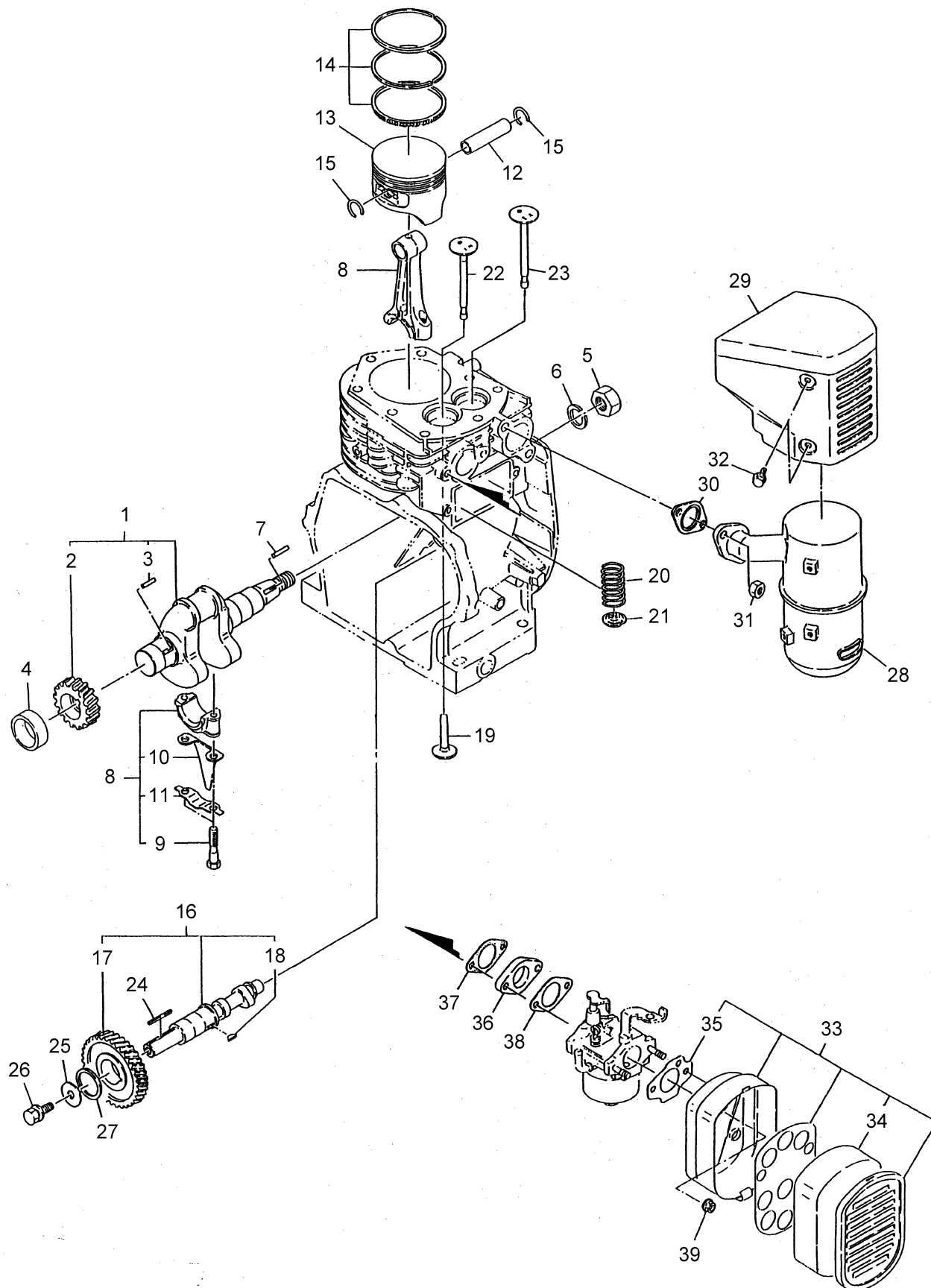
Ref.No.	Parts No.	Parts Name	Q'ty	Remarks
3-1	105509	Adapter	3	
3-2	015862	O-Ring	3	P21
3-3	023172	O-Ring	3	P22
3-4	105510	Discharge Valve Ass'y	3	Incl.5-10
3-5	105511	Discharge Valve Seat	3	
3-6	022842	Discharge Valve	3	
3-7	022031	Spring	3	
3-8	105512	Retainer	3	
3-9	105513	Packing Ring	3	
3-10	105514	Valve Case	3	
3-11	108676	Discharge Manifold	1	
3-12	108366	Drain Plug	1	PF1/4
3-13	023170	O-Ring	2	P12.5
3-14	108367	Plug	1	PF1/4
3-15	108394	Cock Ass'y	1	Incl.16
3-16	011373	O-Ring	1	P10
3-17	108361	Cock Ass'y	1	Incl.18
3-18	022056	O-Ring	1	P7
3-19	108368	Plug	1	PT1/2
3-20	107752	Air Chamber	1	MS153
3-21	108465	Label	1	
3-22	120658	Pressure Regulator Valve Ass'y	1	Incl.23-44
3-23	105518	Cap	1	
3-24	084015	Nut	1	M10
3-25	088975	Screw	1	M10x48
3-26	118662	Grip	1	
3-27	019917	Retainer	1	17x2.3
3-28	105520	Spring	1	
3-29	105521	Retainer	1	
3-30	117448	Case	1	
3-31	117440	Plate	1	
3-32	105524	Indicator	1	
3-33	082744	Screw	2	M4x6
3-34	089899	Tapping Screw	2	M4x13
3-35	118237	Body	1	
3-36	012255	Washer	1	6.2x22xt0.6
3-37	016972	Bellows Packing	1	5x22xt1.5
3-38	011451	Bellows	1	
3-39	016975	Valve Rod	1	
3-40	012256	Retainer	1	
3-41	107238	Valve Ball	1	12.7
3-42	120659	Valve Seat	1	
3-43	029313	O-Ring	1	19.8x2.6
3-44	126197	Bolt	2	M6x55
3-45	126201	Nut	4	M8

4. MS330EAB ENGINE CRANKCASE, CYLINDER HEAD



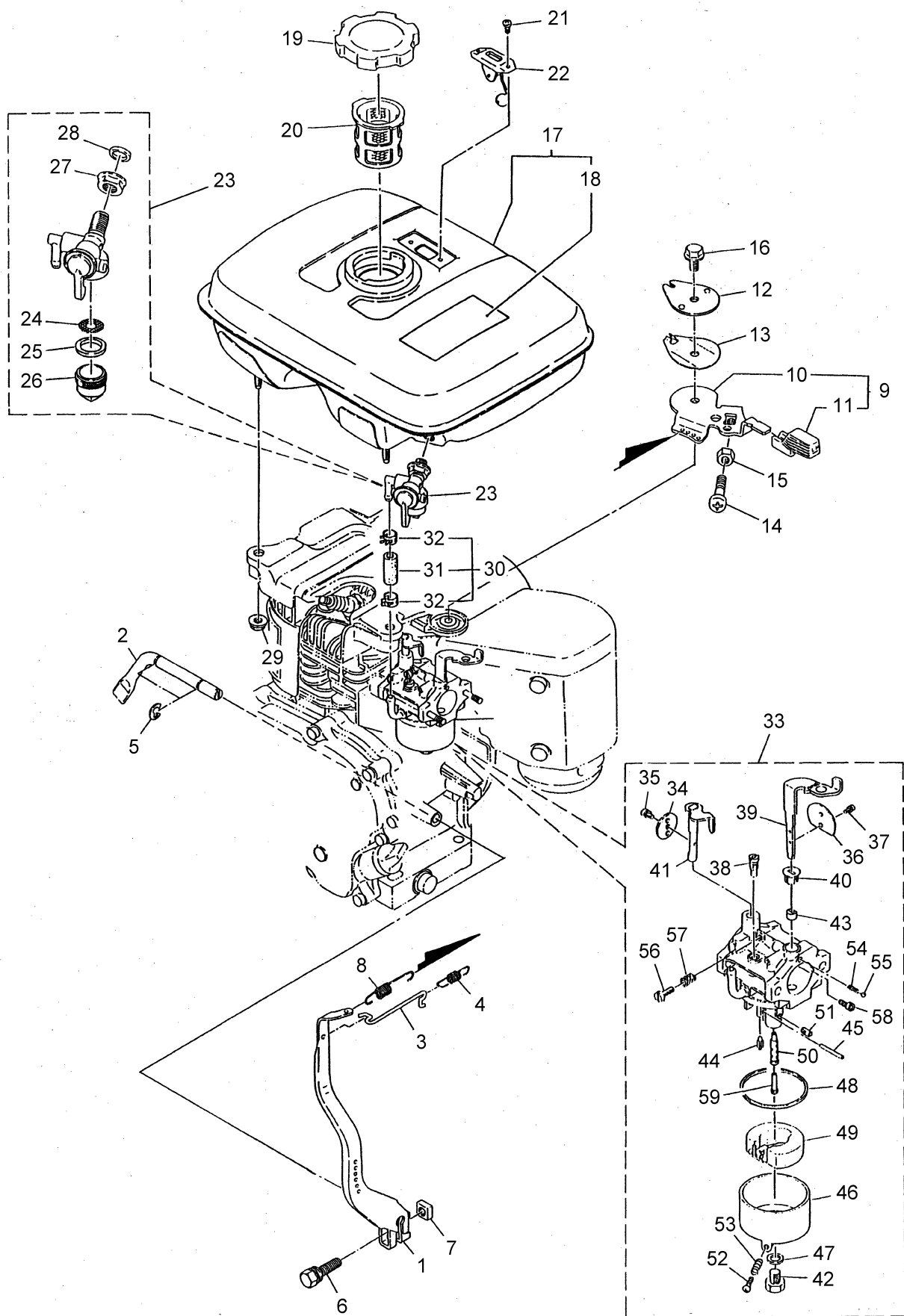
Ref.No.	Parts No.	Parts Name	Q'ty	Remarks
4-1	540037	Engine	1	EY15-2B
4-2	583958	Crankcase CP	1	Incl.3-8 226-10401-01
4-3	582497	Valve Guide	2	227-14202-03
4-4	583833	Oil Seal	1	TB25387 044-02500-70
4-5	582500	Ball Bearing	1	BB6205C3 060-02500-10
4-6	997991	Dowel Pin	2	031-00600-20
4-7	582498	Stud	2	010-50802-50
4-8	583834	Stud	2	010-50601-20
4-9	998006	Plug	2	040-11400-30
4-10	998005	Gasket	2	021-11400-20
4-11	583835	Main Bearing Cover CP	1	Incl.12,13 227-10901-01
4-12	583833	Oil Seal	1	TB25387 044-02500-70
4-13	582500	Ball Bearing	2	BB6205C3 060-02500-10
4-14	582535	Governor Gear CP	1	227-45003-01
4-15	998019	Governor Sleeve	1	205-41901-03
4-16	997998	Oil Gauge	2	227-63601-03
4-17	997999	Gasket	2	021-31600-10
4-18	583836	Gasket (bearing cover)	1	227-16002-03
4-19	582506	Bolt AY	8	013-00600-40
4-20	583837	Cylinder Head	1	226-13001-13
4-21	582512	Gasket CP (head)	1	226-15001-11
4-22	998002	Flange Bolt	8	011-00800-10
4-23	582514	Tappet Cover CP	1	227-14301-01
4-24	583838	Breather Plate CP	1	227-14402-01
4-25	582516	Gasket (tappet cover)	1	227-16006-03
4-26	582518	Gasket (breather plate)	1	227-16007-03
4-27	998012	Rubber Pipe	1	8x11x64L 085-10800-00
4-28	997940	Flange Bolt	2	011-00600-20
4-29	583839	Gasket Set	1	226-99008-07

5. MS330EAB ENGINE CRANK SHAFT, PISTON, MUFFLER, AIR, CLEANER



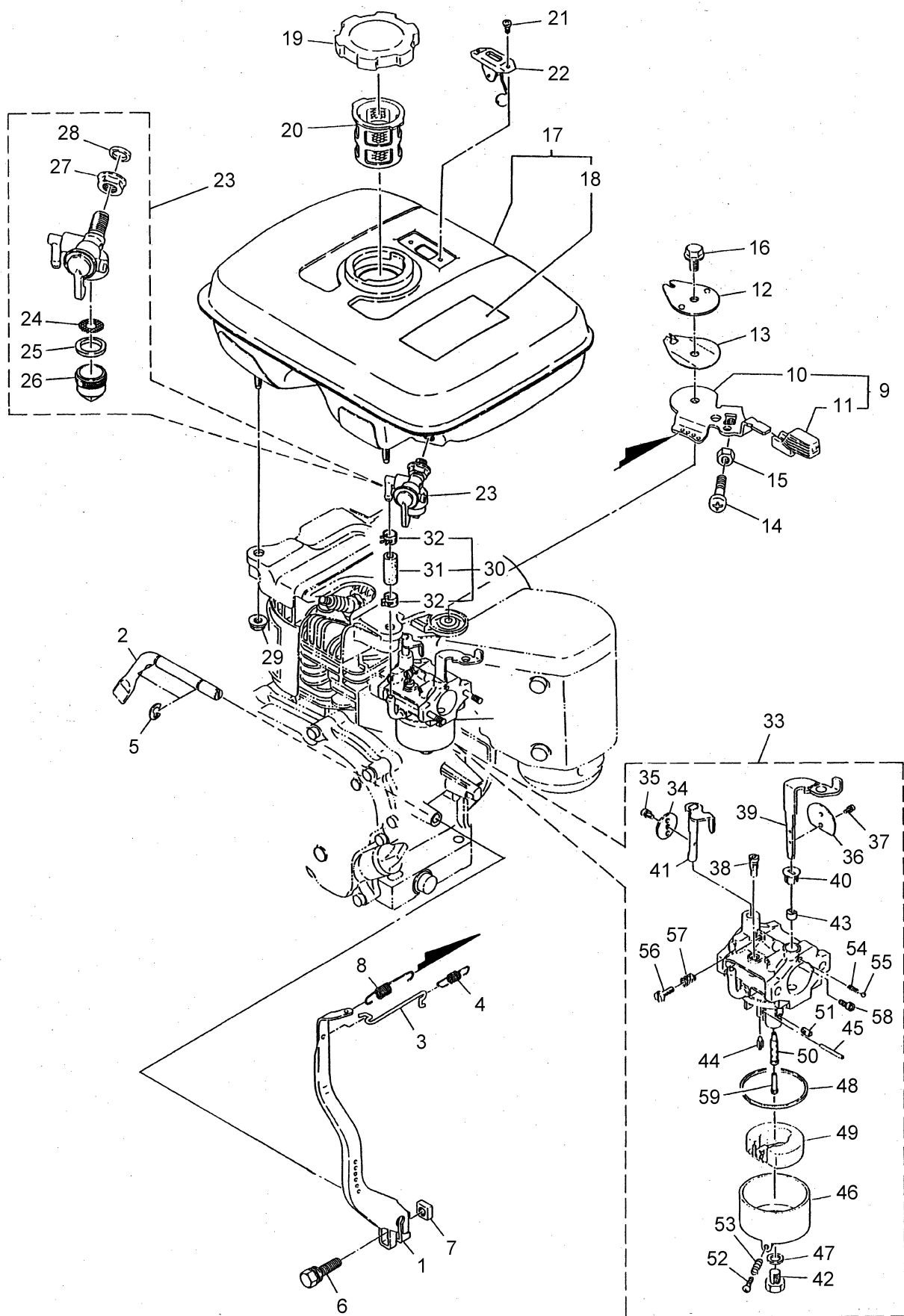
Ref.No.	Parts No.	Parts Name	Q'ty	Remarks
5-1	583840	Crankshaft CP	1	Incl.2,3 226-20105-01
5-2	583841	Crankshaft Gear	1	227-22301-03
5-3	998021	Woodruff Key	1	032-30300-10
5-4	582528	Spacer	1	0.6t 023-02501-10
5-4	582529	Spacer	1	0.8t 023-02501-20
5-4	582530	Spacer	1	1.0t 023-02501-30
5-5	582532	Nut	1	002-18140-00
5-6	582533	Spring Washer	1	003-20140-00
5-7	998021	Woodruff Key	1	032-30300-10
5-8	583842	Connecting Rod AY	1	Incl.9-11 226-22501-00
5-9	582544	Connecting Rod Bolt	2	226-23001-03
5-10	582542	Oil Scraper	1	226-23101-03
5-11	582543	Rod Lock Washer	1	205-23201-03
5-12	583843	Piston Pin	1	214-23301-13
5-13	583844	Piston	1	226-23411-03
5-14	583845	Piston Ring Set	1	226-23511-07
5-15	582540	Clip	2	056-51400-10
5-16	583846	Camshaft CP	1	Incl.17,18 226-32010-01
5-17	583847	Camshaft Gear	1	227-33202-03
5-18	998021	Woodruff Key	1	032-30300-10
5-19	583848	Tappet	2	226-33310-03
5-20	998046	Valve Spring	2	227-33601-03
5-21	582548	Spring Retainer	2	227-33701-03
5-22	582545	Intake Valve	1	226-33401-03
5-23	583849	Exhaust Valve	1	226-33501-13
5-24	583850	Key	1	005-30053-01
5-25	583851	Washer	1	020-00800-50
5-26	998043	Bolt AY	1	001-13081-60
5-27	582528	Spacer	1	0.6t 023-02501-10
5-27	582529	Spacer	1	0.8t 023-02501-20
5-27	582530	Spacer	1	1.0t 023-02501-30
5-28	582570	Muffler CP	1	226-30101-01
5-29	583852	Muffler Cover CP	1	226-34201-11
5-30	582524	Gasket CP (exhaust)	1	226-35201-01
5-31	998017	Nut	2	002-19080-00
5-32	997943	Flange Bolt	3	011-00600-10
5-33	583853	Air Cleaner AY	1	Incl.34,35 227-32603-00
5-34	583854	Cleaner Element	1	227-36002-03
5-35	583855	Gasket (air cleaner)	1	227-36004-13
5-36	583856	Insulator	1	227-32901-13
5-37	582520	Gasket (insulator)	1	227-35901-03
5-38	583857	Gasket2 (insulator)	1	227-35904-03
5-39	582587	Flange Nut	2	002-38060-00

6. MS330EAB ENGINE GOVERNOR, FUEL TANK, CARBURETOR



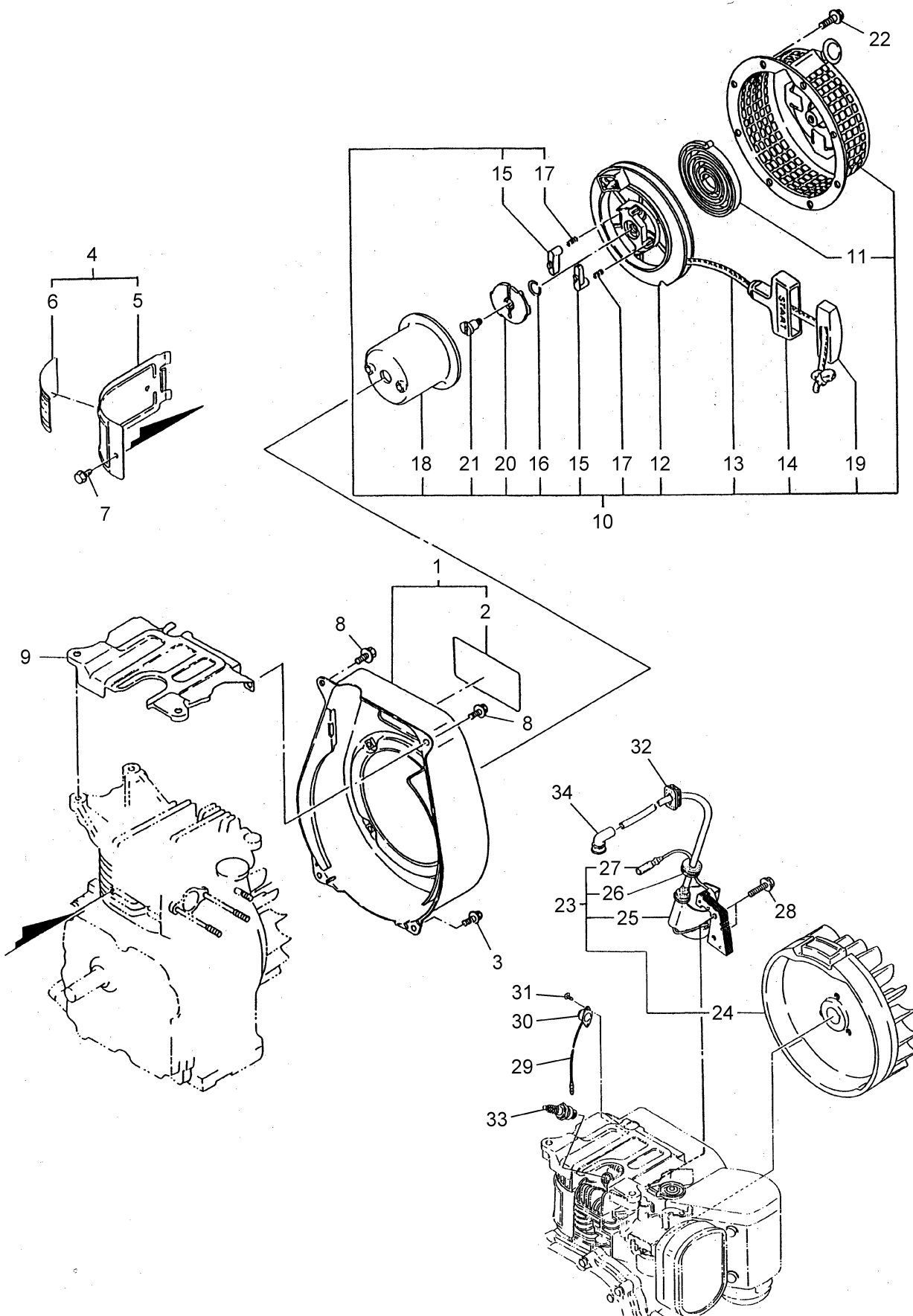
Ref.No.	Parts No.	Parts Name	Q'ty	Remarks
6-1	583858	Governor Lever CP	1	226-42301-01
6-2	582553	Governor Shaft	1	227-42201-03
6-3	582555	Governor Rod CP	1	227-42701-01
6-4	583859	Rod Spring	1	227-42801-03
6-5	997966	Clip	2	003-13060-00
6-6	997967	Bolt AY	1	001-14062-50
6-7	997968	Nut	1	018-60600-20
6-8	583860	Governor Spring	1	226-42501-13
6-9	582558	Speed Control AY	1	Incl.10,11 227-43301-00
6-10	582559	Speed Control CP	1	227-43301-01
6-11	582560	Knob	1	227-43601-03
6-12	582562	Stop Plate CP	1	227-43501-01
6-13	582561	Spring Washer	1	227-45002-03
6-14	582564	Screw	1	004-31063-00
6-15	999696	Nut	1	002-27060-00
6-16	582563	Flange Bolt	1	011-00600-30
6-17	583861	Fuel Tank CP	1	Incl.18 226-61202-01
6-18	583862	Label (caution)	1	073-20021-21
6-19	997952	Fuel Tank Cap CP	1	043-04300-15
6-20	997951	Fuel Filter	1	064-13600-10
6-21	583863	Screw	2	014-50500-40
6-22	583864	Fuel Gauge CP	1	064-80005-00
6-23	997955	Fuel Strainer AY	1	Incl.24-28 064-20064-00
6-24	997956	Filter	1	064-20064-20
6-25	997957	Packing	1	064-20064-10
6-26	997958	Cup (strainer)	1	064-20042-10
6-27	997959	Nut	1	064-20064-30
6-28	997960	Packing	1	064-20064-40
6-29	582587	Flange Nut	2	002-38060-00
6-30	582584	Fuel Pipe CP	1	Incl.31,32 226-62616-01
6-31	997961	Rubber Pipe	1	085-10600-00
6-32	997962	Hose Clamp	2	056-11100-20
6-33	583865	Carburetor AY	1	Incl.34-58 226-62380-10
6-34	583866	Throttle Valve	1	214-62535-08
6-35	998058	Screw	1	150-62356-08
6-36	583867	Choke Valve	1	226-62525-08
6-37	583868	Screw	2	237-62451-08
6-38	583869	Pilot Jet	1	207-62420-08
6-39	583870	Lever	1	226-62520-18
6-40	583871	Ring	1	226-62551-08
6-41	583872	Shaft AY (throttle)	1	226-62530-08
6-42	583873	Bolt	1	226-62450-08
6-43	998050	Ring	1	226-62550-08
6-44	583874	Needle Valve AY	1	226-62500-08
6-45	998074	Pin	1	214-62515-08

6. MS330EAB ENGINE GOVERNOR, FUEL TANK, CARBURETOR



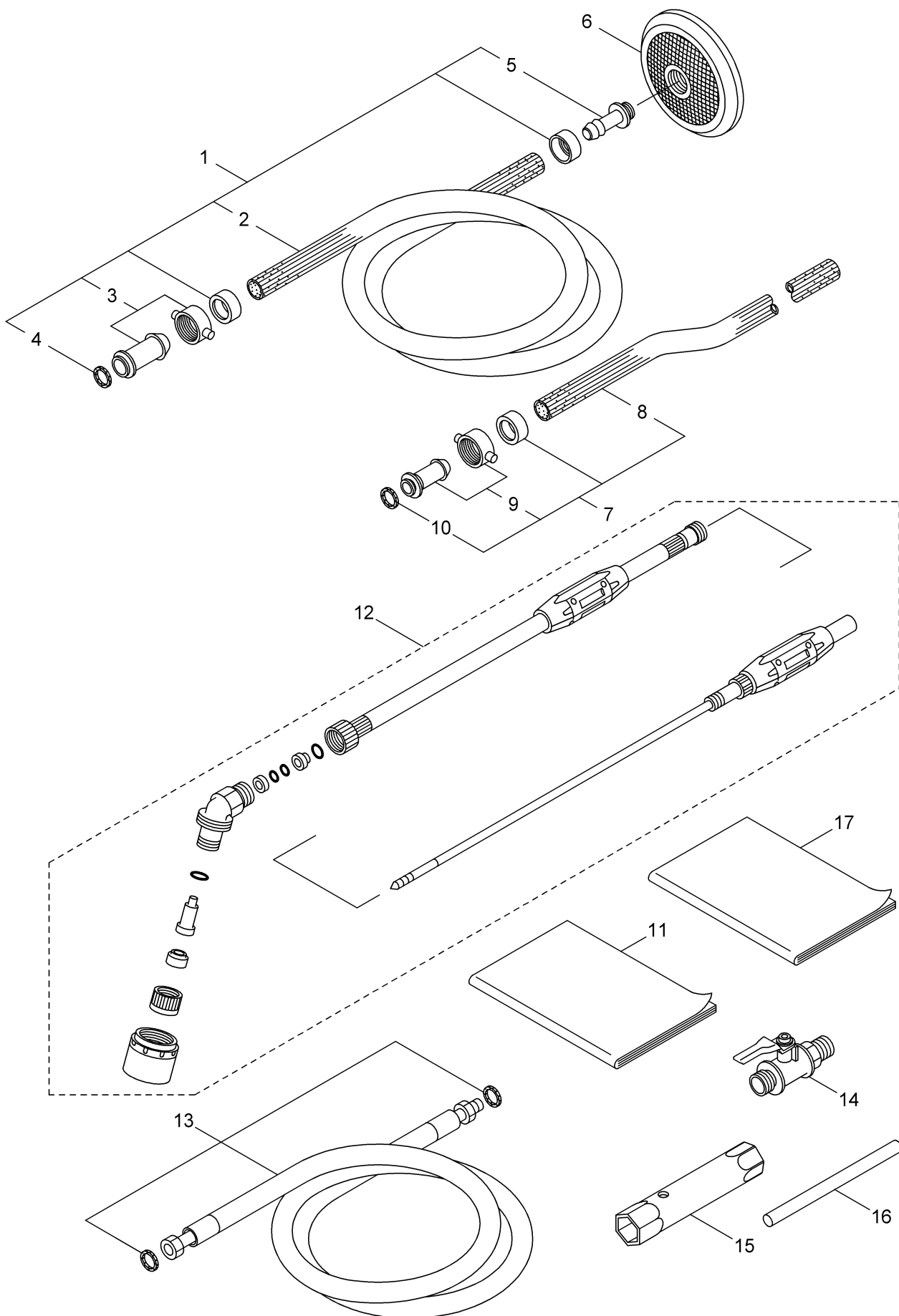
Ref.No.	Parts No.	Parts Name	Q'ty	Remarks
6-46	583875	Float Chamber Body	1	227-62560-08
6-47	583876	Packing	1	214-62450-08
6-48	583877	Chamber Packing	1	214-62540-08
6-49	583878	Float AY	1	226-62506-08
6-50	583879	Nozzle	1	226-62440-08
6-51	583880	Main Jet	1	226-62400-08
6-52	583881	Screw	1	224-62450-08
6-53	582683	Spring	1	209-62445-08
6-54	583882	Choke Spring	1	209-62446-08
6-55	583959	Steel Ball	1	209-62353-08
6-56	582684	Screw	1	209-62352-08
6-57	582683	Spring	1	209-62445-08
6-58	583960	Air Jet	1	207-62410-08
6-59	583961	Nozzle	1	227-62441-08

7. MS330EAB ENGINE COVER, RECOIL STRATER, MAGNETO



Ref.No.	Parts No.	Parts Name	Q'ty	Remarks
7-1	583883	Blower Housing CP	1	Incl.2 226-51101-01
7-2	582566	Label (trade mark)	1	226-91701-13
7-3	997940	Flange Bolt	2	011-00600-20
7-4	583884	Cylinder Baffle CP	1	Incl.5,6 226-52631-01
7-5	583885	Cylinder Baffle	1	226-52601-03
7-6	583886	Label (engine name)	1	226-91831-03
7-7	997943	Flange Bolt	1	011-00600-10
7-8	582563	Flange Bolt	2	011-00600-30
7-9	582567	Head Cover	1	226-52701-03
7-10	583887	Recoil Starter AY	1	Incl.11-21 226-50111-00
7-11	583888	Spiral Spring	1	215-50515-08
7-12	583889	Reel	1	227-50123-08
7-13	583890	Starter Rope	1	226-50113-08
7-14	582632	Starter Knob	1	227-50100-08
7-15	583891	Ratchet	2	227-50126-08
7-16	583892	Friction Spring	1	227-50131-08
7-17	583893	Return Spring	2	227-50135-08
7-18	583894	Starter Pulley	1	226-50148-08
7-19	582633	Knob Cap	1	227-50150-08
7-20	583895	Ratchet Guide	1	227-50141-08
7-21	583896	Set Screw	1	227-50152-08
7-22	997943	Flange Bolt	4	011-00600-10
7-23	583897	Magneto AY	1	Incl.24-27 226-70101-00
7-24	583898	Flywheel	1	226-70127-08
7-25	583899	Ignition Coil	1	226-70161-08
7-26	582625	Grommet	1	226-70245-08
7-27	583900	Cord CP	1	226-70236-08
7-28	583962	Flange Bolt	2	011-00601-21
7-29	582574	Wire 1 CP	1	214-73201-01
7-30	582573	Stop Button	1	066-20000-11
7-31	582575	Tapping Screw	2	015-00400-10
7-32	583963	Grommet	1	227-75001-03
7-33	583901	Spark Plug	1	NGK B-6HS 065-01400-36
7-34	998004	Spark Plug Cap	1	065-50000-50

8. MS330EAB ACCESSORIES



Ref.No.	Parts No.	Parts Name	Q'ty	Remarks
8-1	105936	Suction Hose Ass'y	1	Incl.2-5
8-2	103571	Hose	1	19x1Bx3000
8-3	098010	Hose Coupling	1	PF3/4
8-4	103686	Packing	1	18.5x24xt2
8-5	105937	Hose Coupling	1	PF1
8-6	122017	Suction Strainer Ass'y	1	
8-7	104344	Spill Hose Ass'y	1	Incl.8-10
8-8	104345	Hose	1	13x19x3000L
8-9	098206	Hose Coupling	1	PF1/2
8-10	103685	Packing	1	12x18.5xt1.5
8-11	544684	Instruction Manual	1	
8-12	586122	Super Zoom P700	1	
8-13	597219	Hose	1	
8-14	972275	Cock Ass'y	1	
8-15	169185	Box Spanner	1	14X21 071-21400-51
8-16	169186	Handle	1	8X150 071-40900-10
8-17	169187	Instruction Manual	1	Engine