

PARTS LIST

MP8010E-H

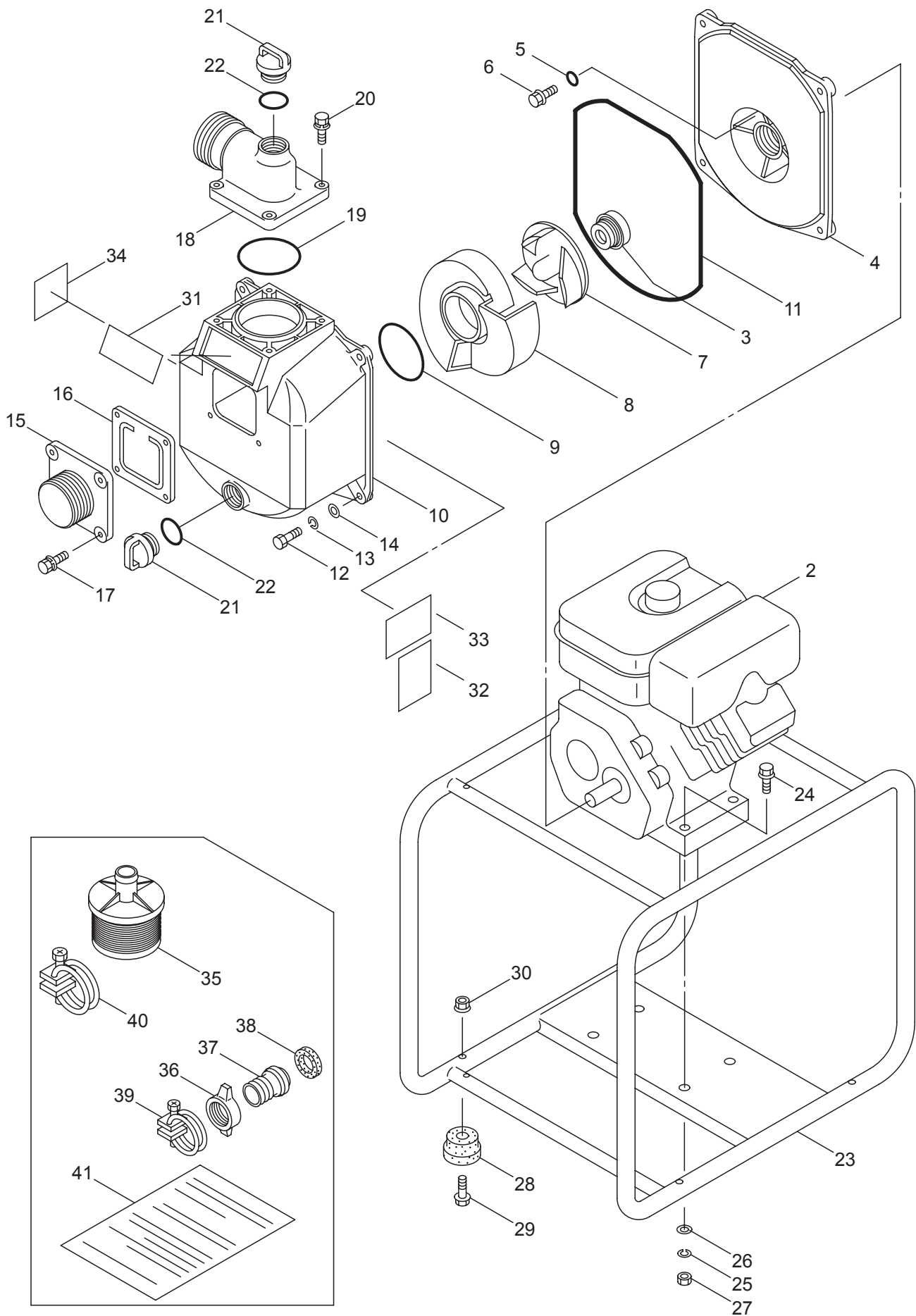
CONTENTS

1. MAIN BODY	1 ~ 2
--------------------	-------

2011. 08.



1. MP8010E-H
MAIN BODY



Ref. No.	Part No.	Part Name	Q'ty	Remarks
1-1	332098	MP8010E-H	1	
1-2	240839	Engine	1	GX160UT2-WKT2
1-3	240072	Mechanical Seal	1	
1-4	240242	Casing Cover	1	
1-5	014190	O-Ring	4	P8
1-6	089721	Flange Bolt	4	M8x40
1-7	240243	Impeller	1	
1-8	240244	Scroll	1	
1-9	011340	O-Ring	1	G85
1-10	240245	Casing	1	
1-11	240246	O-Ring	1	257.5x3
1-12	080289	Bolt	4	M10x35x26
1-13	126231	Spring Washer	4	M10
1-14	013849	Washer	4	M10
1-15	240247	Suction Port	1	
1-16	240248	Check Valve	1	
1-17	092502	Bolt	4	M8x30
1-18	240249	Discharge Port	1	
1-19	011340	O-Ring	1	G85
1-20	092502	Bolt	4	M8x30
1-21	240082	Plug	2	M36
1-22	018690	O-Ring	2	P36
1-23	240809	Setting Base	1	
1-24	549533	Bolt	4	M8x40
1-25	126232	Spring Washer	4	M8
1-26	126573	Washer	4	M8
1-27	126521	Nut	4	M8
1-28	028843	Buffer	4	
1-29	082117	Bolt	4	M6x40x18
1-30	126756	Nut	4	M6
1-31	240402	Label	1	MARUYAMA
1-32	240019	Label	1	
1-33	120675	Label	1	Warning
1-34	240254	Label	1	MP8010E
1-35	240162	Strainer	1	
1-36	240255	Hose Coupling	2	G3
1-37	240164	Hose Coupling	2	
1-38	240257	Packing	2	69x95x4
1-39	240819	Hose Band	1	#78-85
1-40	546226	Hose Band	2	#90
1-41	240843	Instruction Manual	1	MP8010E-H