



MARUYAMA U.S., INC.

301 – 30th Street NE, Suite 118, Auburn, WA 98002
PO Box 309, Auburn, WA 98071-0309
Phone (253) 735-7368 Fax (253) 735-1416

ILLUSTRATED PARTS LIST

MODEL MH9D

MANUAL SPRAYER

Effective 6-20-93

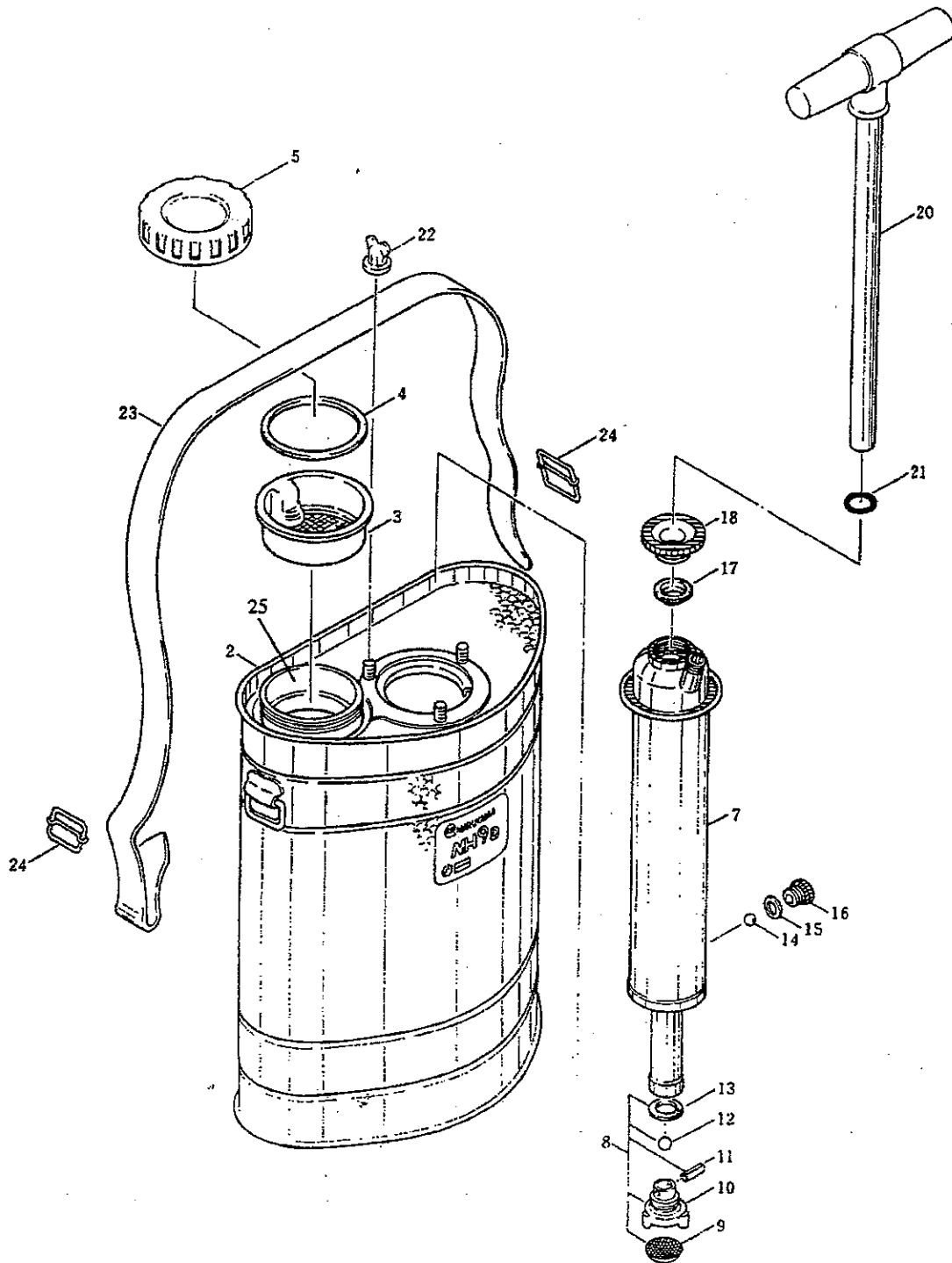


Maruyama — Manufacturing quality agricultural sprayers and equipment since 1895.

PARTS LIST

MODEL MH9D

1. MAIN BODY



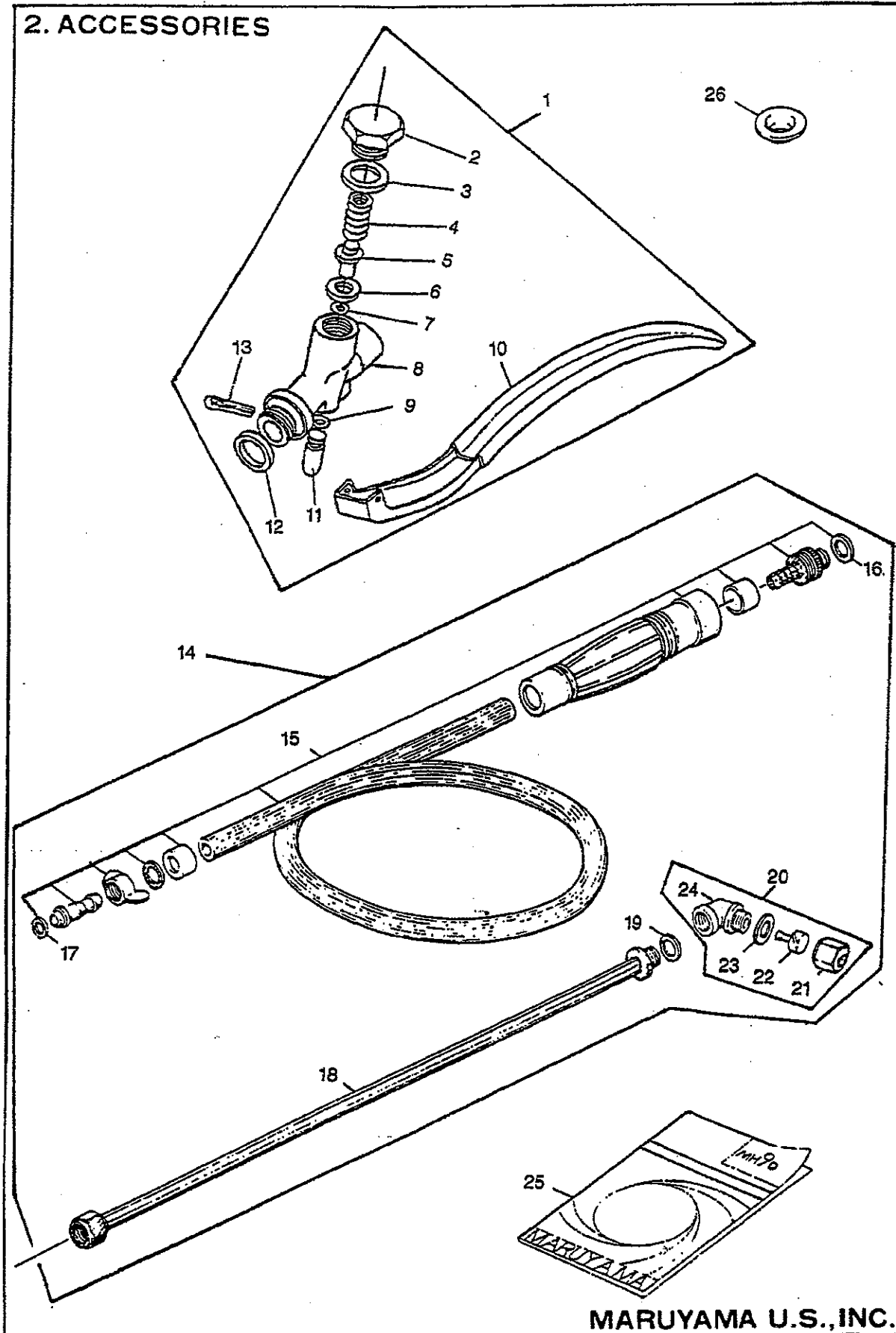
MARUYAMA U.S., INC.

Ref.No.	Parts No.	Parts Name	Q'ty	Ref.No.	Parts No.	Parts Name	Q'ty
1-1	313625	MH9D	1				
1-2	074461	Tank, main body	1				
1-3	074326	Strainer	1				
1-4	074465	Packing (φ80×φ91×t3)	1				
1-5	074463	Cap	1				
1-6	074018	Inner pump, ass'y	1				
1-7	074019	. Inner pump	1				
1-8	074165	. Suction valve, ass'y	1				
1-9	024974	.. Strainer net	1				
1-10	074159	.. Valve seat	1				
1-11	074220	.. Spring pin (φ2×14L)	1				
1-12	011532	.. Valve ball (3/8)	1				
1-13	074161	.. Packing (φ17×φ28×t1.5)	1				
1-14	011532	. Valve ball (3/8)	1				
1-15	074309	. Packing (φ10×φ14.5×t1.5)	1				
1-16	028753	. Side valve stopper	1				
1-17	029133	. Seal packing	1				
1-18	021477	. Retainer, packing	1				
1-19	074466	. Plunger, ass'y	1				
1-20	074467	.. Plunger	1				
1-21	021496	.. O-ring (V15)	1				
1-22	027460	Butterfly nut (M6)	3				
1-23	021499	Band	1				
1-24	021313	Adjuster	2				
1-25	074706	Collar	1				

PARTS LIST

MODEL MH9D

2. ACCESSORIES



MARUYAMA U.S., INC.

Ref. No.	Parts No.	Parts Name	Qty	Ref. No.	Parts No.	Parts Name	Qty
2 - 1	828081	Valve Ass'y	1				
2 - 2	840381	• Plug	1				
2 - 3	840382	• Packing	1				
2 - 4	840383	• Spring	1				
2 - 5	840384	• Valve	1				
2 - 6	840385	• Valve Seat	1				
2 - 7	840386	• Valve Guide	1				
2 - 8	840387	• Valve Body	1				
2 - 9	840388	• O-ring	1				
2 - 10	840389	• Lever	1				
2 - 11	840390	• Push Rod	1				
2 - 12	840391	• Packing	1				
2 - 13	840392	• Cotter Pin	1				
2 - 14	074304	Wand & Nozzle Ass'y	1				
2 - 15	021447	• Hose Ass'y (ø 7.5 x 1000L)	1				
2 - 16	013572	• • Packing (ø 11.5 x ø 16 x t1.5)	1				
2 - 17	074369	• • Packing (ø 6.5 x ø 11.5 x t1.5)	1				
2 - 18	074010	• Nozzle Pipe	1				
2 - 19	014823	• Packing	1				
2 - 20	570828	• Nozzle Ass'y	1				
2 - 21	025595	• • Cap	1				
2 - 22	025596	• • Inner Core	1				
2 - 23	014840	• • Packing (ø 13 x ø 18 x t2)	1				
2 - 24	025438	• • Elbow	1				
2 - 25	074382	Instruction Manual	1				
2 - 26	029133	Packing (Spare-see pg. 1, ref. #17)	1				



Maruyama U.S., Inc.
3570 Shelby Lane
Denton, TX 76207
940-383-7400 voice
940-383-7466 fax

www.maruyama-us.com