



301 – 30<sup>th</sup> Street NE, Suite 118, Auburn, WA 98002  
PO Box 309, Auburn, WA 98071-0309  
Phone (253) 735-7368 Fax (253) 735-1416

# **ILLUSTRATED PARTS LIST**

## **MODEL MD150DX**

### **MIST/DUSTER**

**Effective 5-15-93**

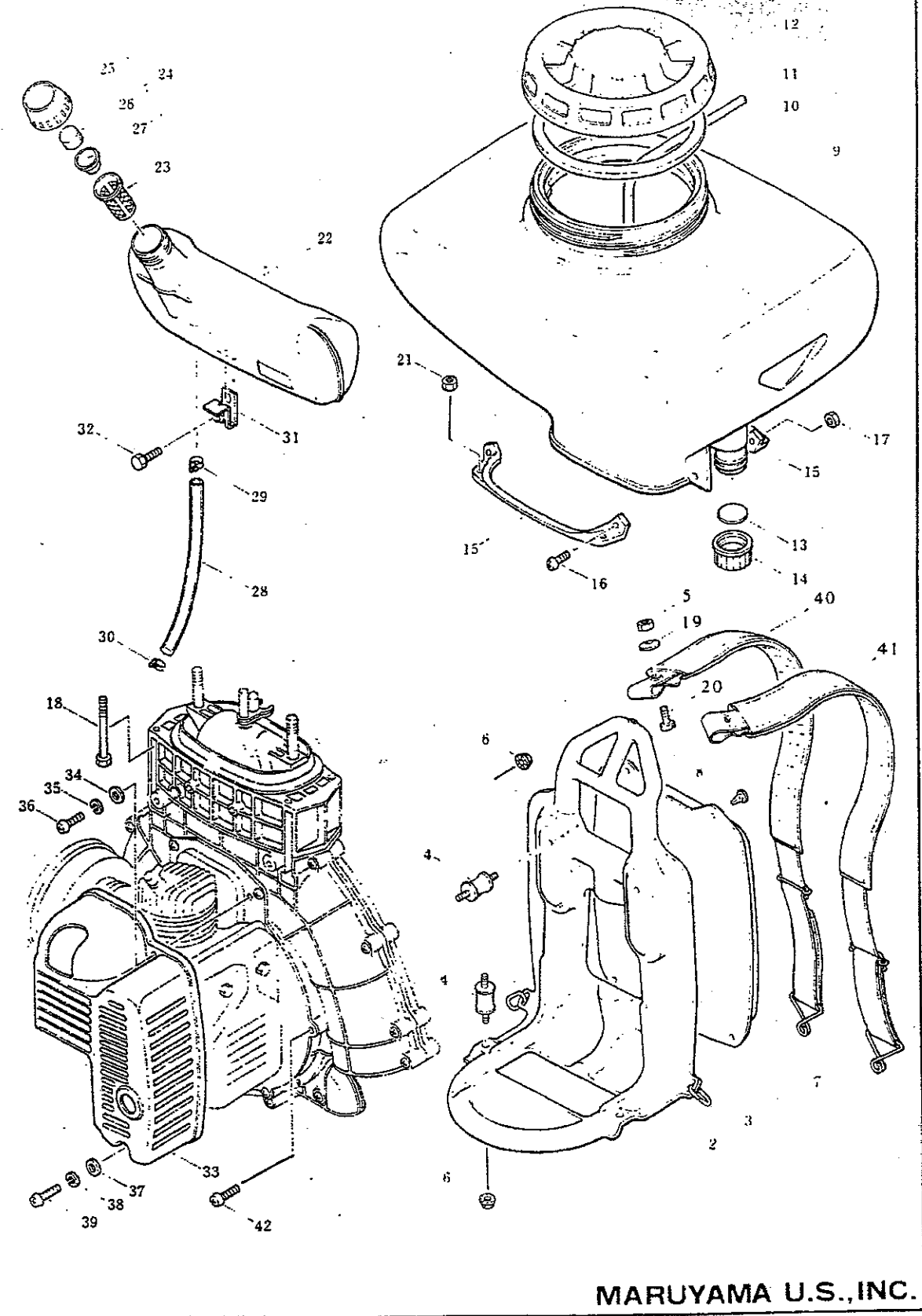


# PARTS LIST

# MODEL MD150DX

## 1. MAIN BODY

From #01880001



MARUYAMA U.S., INC.

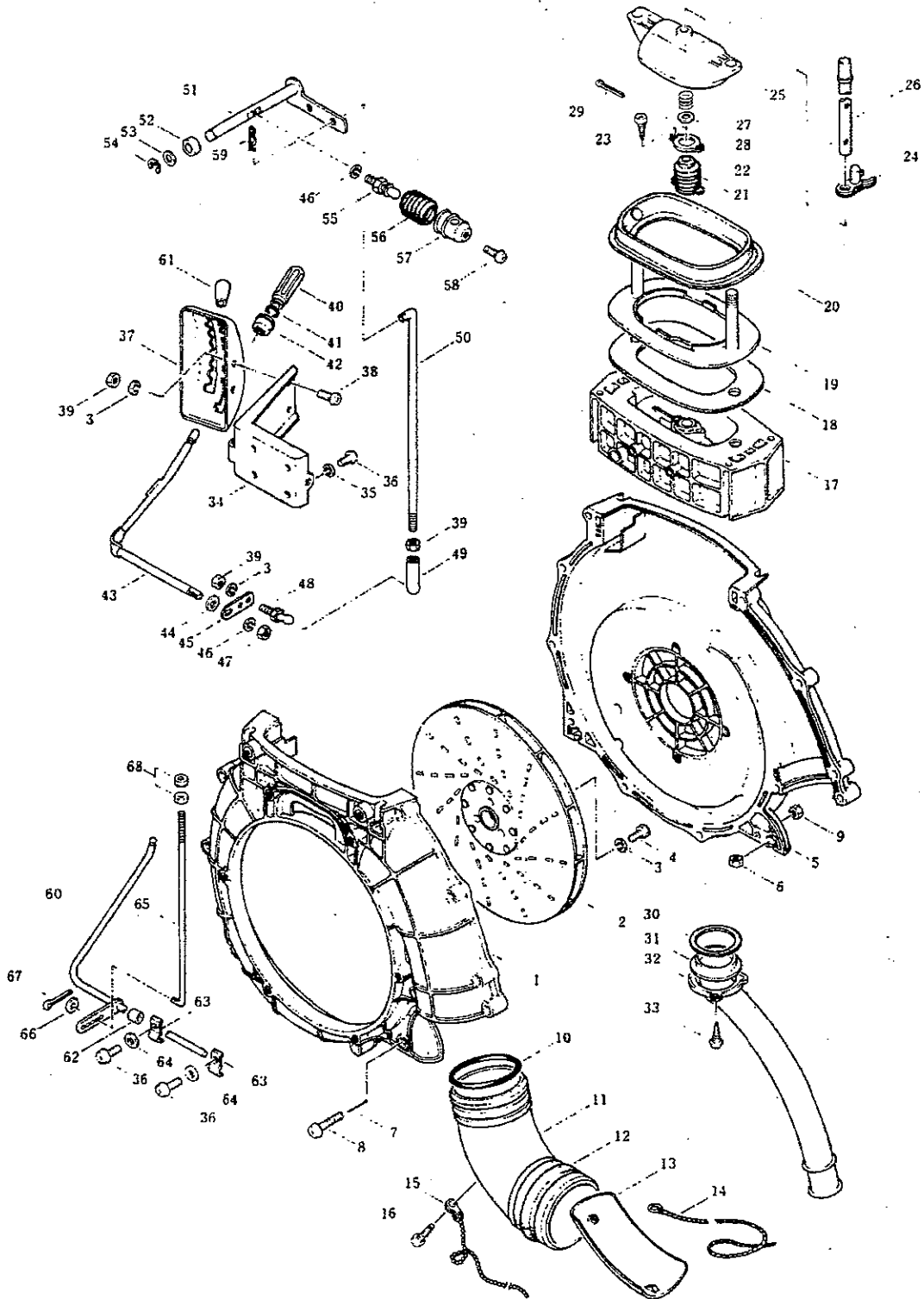
Ref.No.	Parts No.	Parts Name	Q'ty	Ref.No.	Parts No.	Parts Name	Q'ty
1-1	322066	MD150DX	1	1-41	105927	Knapsack Band	1
1-2	101684	Knapsack frame	1	1-42	816007	Screw (M5x16)	6
1-3	101353	Ring	2				
1-4	026223	Buffer	4				
1-5	081030	Nut (M6)	2				
1-6	109704	Nut (M6)	4				
1-7	101683	Cushion pad	1				
1-8	100749	Fastener	4				
1-9	100890	Chemical tank	1				
1-10	022362	Chemical tank lid packing	1				
1-11	025857	Rubber tube ( $\phi 7 \times \phi 11 \times 320L$ )	1				
1-12	101349	Chemical tank lid	1				
1-13	101325	Packing ( $\phi 26 \times t 2$ )	1				
1-14	022408	Hose joint cap	1				
1-15	026027	Tank bracket	2				
1-16	088344	Screw	2				
1-17	081241	Nut (M6)	2				
1-18	089042	Bolt (M6x105x25)	4				
1-19	100603	Washer	2				
1-20	020654	Bolt (M6x14)	2				
1-21	104309	Nut (M6)	4				
1-22	100891	Fuel tank	1				
1-23	106920	Fuel strainer	1				
1-24	028391	Cap, ass'y	1				
1-25	026047	. Cap	1				
1-26	022375	. Packing	1				
1-27	022374	. Fuel tank inner cap	1				
1-28	043991	Vinyl pipe ( $\phi 8 \times \phi 12 \times 310L$ )	1				
1-29	103067	Hose band	1				
1-30	043832	Hose band	1				
1-31	101698	Stop washer	2				
1-32	082099	Bolt (M6x18)	2				
1-33	103405	Muffler protector	1				
1-34	012487	Washer (M5)	2				
1-35	012501	Spring washer (M5)	2				
1-36	081416	Screw (M5x20)	2				
1-37	012488	Washer (M6)	1				
1-38	012502	Spring washer (M6)	1				
1-39	081456	Screw (M6x20)	1				
1-40	105925	Knapsack Band	1				

# PARTS LIST

# MODEL MD150DX

From #01880001

## 2. FAN



MARUYAMA U.S., INC.

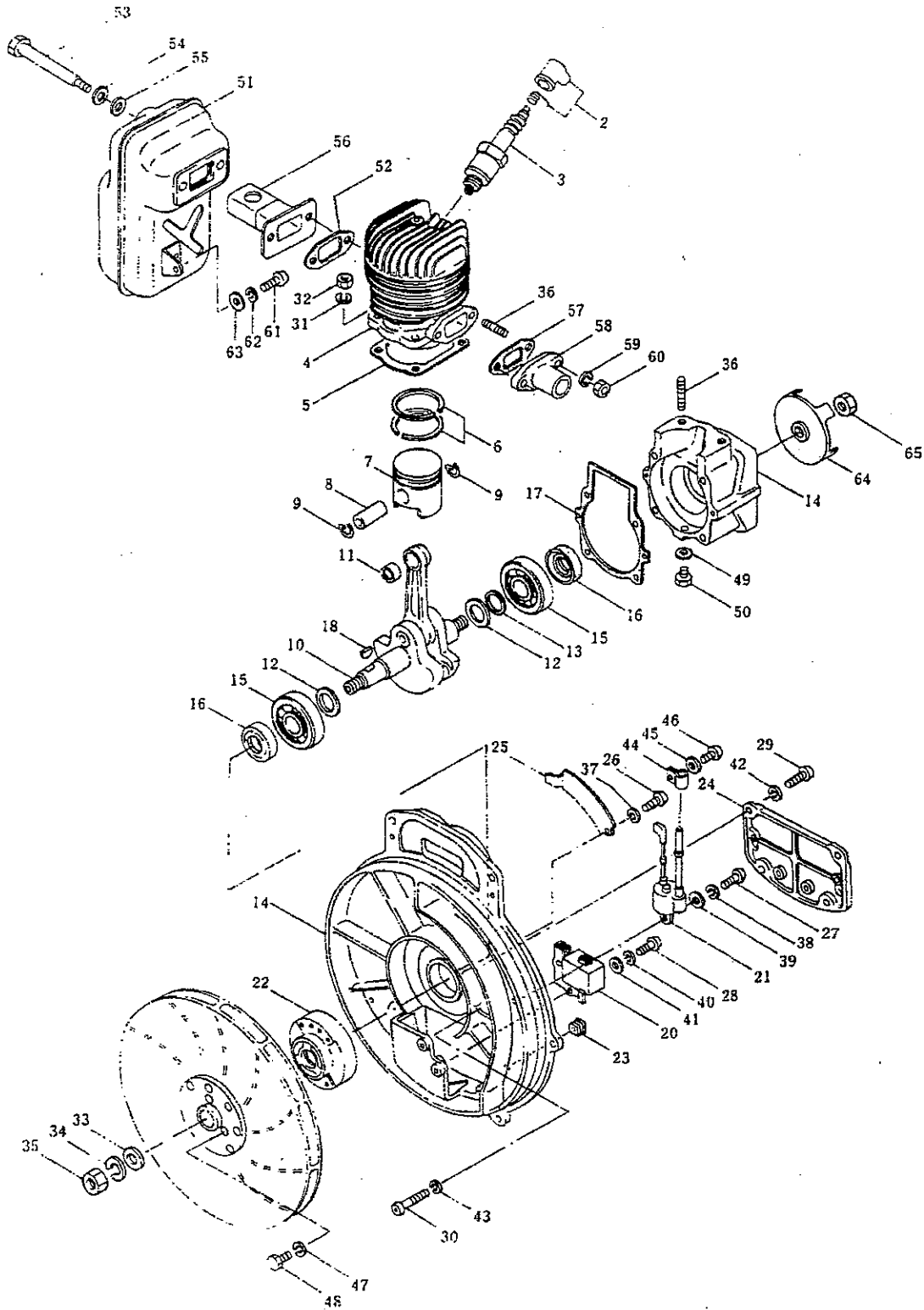
Ref.No.	Parts No.	Parts Name	Q'ty	Ref.No.	Parts No.	Parts Name	Q'ty
2-1	104039	Fan case (E)	1	2-41	100633	Snap	1
2-2	100809	Fan	1	2-42	100726	Cap	1
2-3	012502	Spring washer (M6)	6	2-43	104040	Shutter lever	1
2-4	082098	Bolt (M6X16)	3	2-44	012489	Washer (M8)	1
2-5	101364	Fan case (S)	1	2-45	101197	Lever arm	1
2-6	100234	Nut (M6)	2	2-46	015845	Spring washer (M8)	2
2-7		This part has been deleted		2-47	081039	Nut (M8)	1
2-8	092049	Screw (M5X35)	13	2-48	105779	Male universal joint	1
2-9	081238	Nut (M5)	13	2-49	020584	Female universal joint	1
2-10	011367	O-ring (V70)	1	2-50	107096	Joint rod	1
2-11	100889	Elbow pipe	1	2-51	108009	Link shaft	1
2-12	100808	Flexible pipe rubber joint	1	2-52	100535	Collar	1
2-13	101340	Elbow pipe peinforsed plate	1	2-53	027804	Washer ( $\phi 12.5 \times \phi 19 \times t1$ )	1
2-14	100293	Earth code	1	2-54	026369	E-shaped snap ring (#9)	1
2-15	101618	Earth chain	1	2-55	025873	Male universal link	1
2-16	092079	Screw (M6X16)	1	2-56	028642	Bellows	1
2-17	100244	Shutter case	1	2-57	028061	Female universal link	1
2-18	100537	Packing	1	2-58	088329	Screw (M5X20)	1
2-19	025853	Tank bottom washer	1	2-59	065048	R-pin ( $\phi 6$ )	1
2-20	025852	Tank bottom packing	1	2-60	104041	Throttle lever	1
2-21	100247	Bellows	1	2-61	028612	Knob	1
2-22	100248	Bellows stopper	1	2-62	054109	Collar ( $\phi 6.5 \times \phi 10.5 \times 10L$ )	1
2-23	089531	Screw (M4X12)	2	2-63	101309	Throttle lever retainer	2
2-24	025863	Pipe holder	1	2-64	022905	Washer (M5)	2
2-25	028390	Shutter	1	2-65	104042	Throttle rod	1
2-26	100252	Shutter rod	1	2-66	012486	Washer (M4)	1
2-27	100253	Compression spring	1	2-67	013013	Cotter pin ( $\phi 1.6 \times 10L$ )	1
2-28	100518	Washer ( $\phi 10.5 \times \phi 16 \times t1$ )	1	2-68	029795	Nut (M4XP0.7)	2
2-29	055480	Cotter pin ( $\phi 3 \times 20L$ )	1				
2-30	100517	Packing ( $\phi 44 \times \phi 50 \times t1$ )	1				
2-31	101342	Discharge port	1				
2-32	100246	Discharge port stopper	1				
2-33	089532	Screw (M4X16)	3				
2-34	100741	Dial plate supporter	1				
2-35	012501	Spring washer (M5)	4				
2-36	081426	Screw (M5X15)	6				
2-37	100742	Dial plate	1				
2-38	081454	Screw (M6X14)	2				
2-39	081030	Nut (M6)	4				
2-40	100632	Knob	1				

# PARTS LIST

# MODEL MD150DX

## 3. ENGINE (CRANKCASE, CYLINDER)

From #01880001



MARUYAMA U.S., INC.

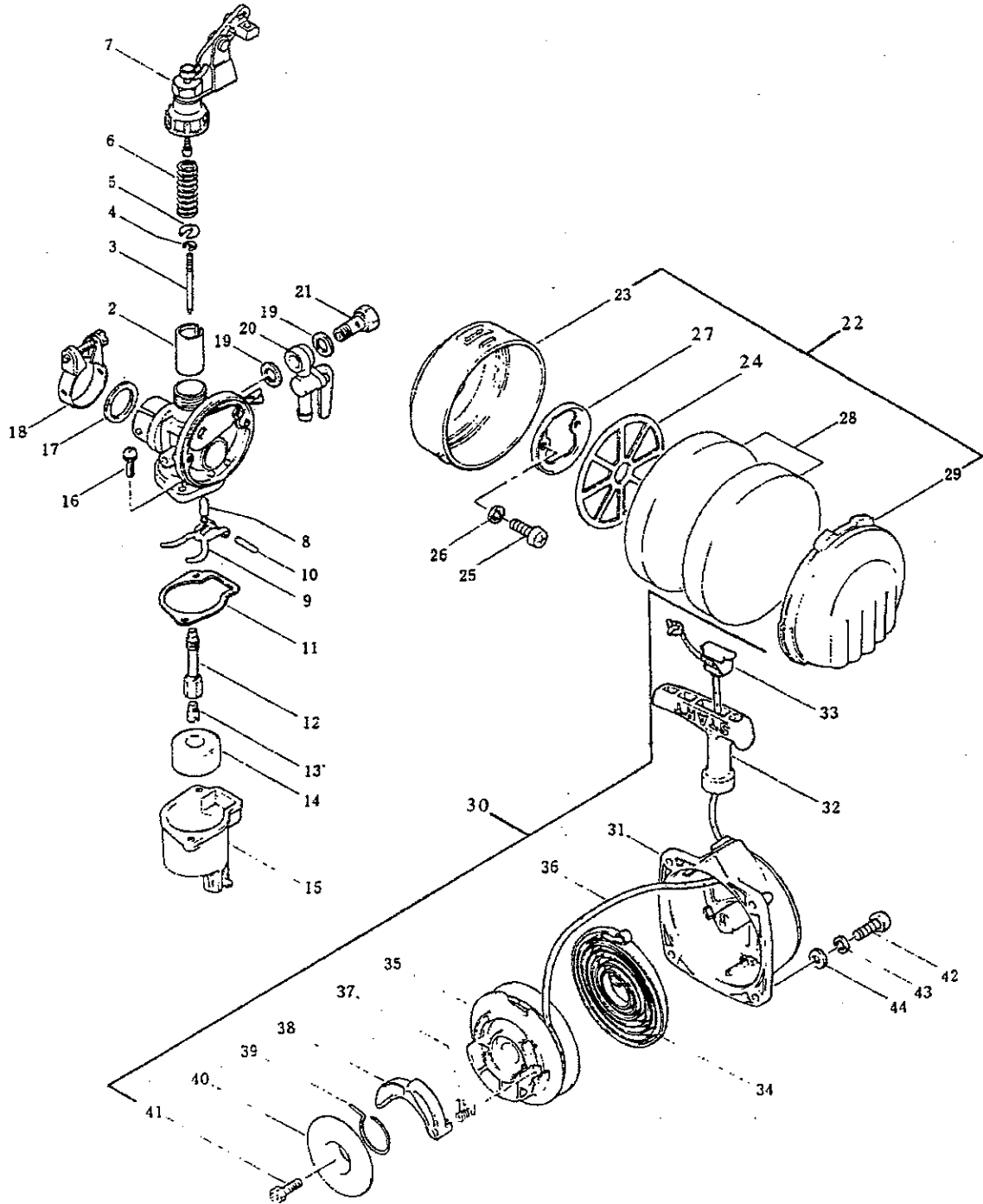
Ref.No.	Parts No.	Parts Name	Q'ty	Ref.No.	Parts No.	Parts Name	Q'ty
3-1	105580	Engine (ME435A)	1	3-37	910018	Spring washer (M5)	1
3-2	972511	Spark plug cap. ass'y	1	3-38	910017	Spring washer (M4)	2
3-3	972476	Spark plug (B7S)	1	3-39	911020	Washer (M4)	2
3-4	576243	Cylinder	1	3-40	910018	Spring washer (M5)	2
3-5	979912	Cylinder packing	1	3-41	911834	Washer (M5)	2
3-6	979915	Piston ring	2	3-42	910018	Spring washer (M5)	4
3-7	575249	Piston, ass'y	1	3-43	073207	Spring washer (M6)	4
3-8	979914	Piston pin	1	3-44	979248	Clamp	1
3-9	576244	Snap ring	2	3-45	911015	Washer (M5)	1
3-10	992973	Crankshaft, ass'y	1	3-46	910310	Screw (M5x10)	1
3-11	972215	• Needle bearing	1	3-47	073207	Spring washer (M6)	3
3-12	979917	Crankshaft washer	2	3-48	971921	Bolt (M6x16)	3
3-13	073238	Shim (0.05)	AR	3-49	576254	Packing	1
3-13	576245	Shim (0.10)	AR	3-50	576255	Bolt (M6x8)	1
3-13	576246	Shim (0.15)	AR	3-51	576256	Muffler, ass'y	1
3-13	576247	Shim (0.20)	AR	3-52	979930	Muffler packing	1
3-13	576248	Shim (0.30)	AR	3-53	576261	Muffler bolt	2
3-14	570853	Crankcase, ass'y	1	3-54	576260	Packing	2
3-15	570397	• Ball bearing (#6303 C3)	2	3-55	972679	Washer (M8)	2
3-16	970145	• Oil seal (#17307)	2	3-56	576259	Muffler pipe	1
3-17	576249	• Crankcase packing	1	3-57	970075	Packing	1
3-18	970045	Key (3x13x5)	1	3-58	979921	Valve	1
3-19	570855	Magneto, ass'y	1	3-59	073207	Spring washer (M6)	2
3-20	570857	• Generator coil, ass'y	1	3-60	970140	Nut (M6)	2
3-21	576250	• Ignition coil, ass'y	1	3-61	947007	Screw (M6x12)	1
3-22	570856	• Magneto rotor, ass'y	1	3-62	073207	Spring washer	1
3-23	991573	Grommet	1	3-63	947005	Washer	1
3-24	998107	Coil cover	1	3-64	576257	Starter pulley	1
3-25	576252	Blind metal	1	3-65	972214	Nut (M10)	1
3-26	910310	Screw (M5x10)	1				
3-27	576253	Screw (M4x15)	2				
3-28	911723	Screw (M5x22)	2				
3-29	971917	Screw (M5x16)	4				
3-30	947019	Screw (M6x35)	4				
3-31	073207	Spring washer (M6)	4				
3-32	947012	Nut (M6)	4				
3-33	970141	Washer (M10)	1				
3-34	972801	Spring washer (M10)	1				
3-35	979274	Nut (M10)	1				
3-36	970053	Stud bolt (M6x24)	6				

# PARTS LIST

# MODEL MD150DX

## 4. ENGINE (CARBURETOR, RECOIL STARTER)

From #01880001



MARUYAMA U.S., INC.



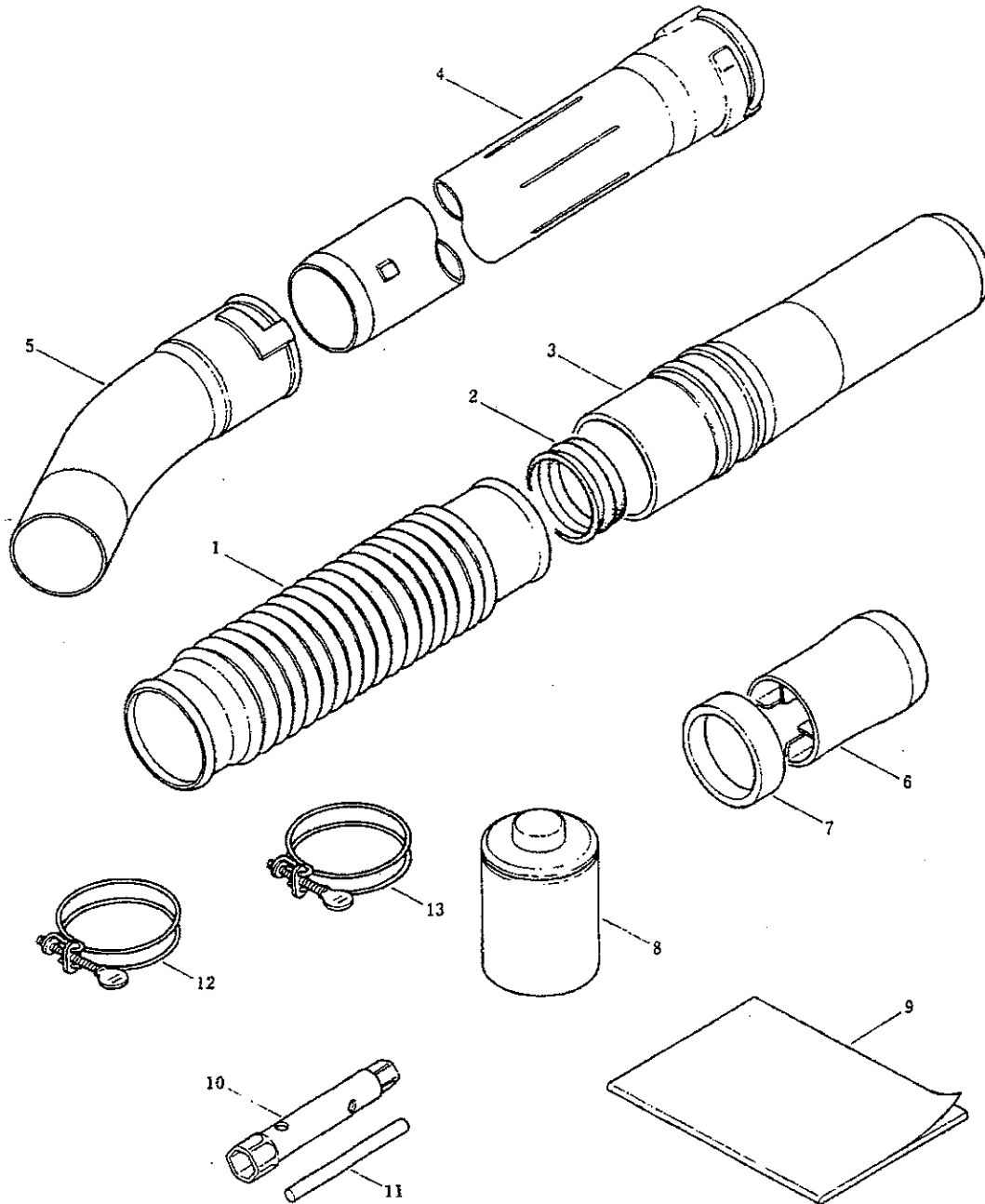
Ref.No.	Parts No.	Parts Name	Q'ty	Ref.No.	Parts No.	Parts Name	Q'ty
4-1	576263	Carburetor, ass'y	1	4-41	979945	• Set bolt	1
4-2	576266	• Throttle valve	1	4-42	971917	Screw (M5×15)	4
4-3	576265	• Jet needle, ass'y	1	4-43	910018	Spring washer (M5)	4
4-4	971875	•• Jet needle clip	1	4-44	911015	Washer (M5)	4
4-5	576264	• Throttle spring receive	1				
4-6	979966	• Throttle valve spring	1				
4-7	996193	• Link motion, ass'y	1				
4-8	979970	• Needle valve	1				
4-9	979974	• Float hinge	1				
4-10	979972	• Float pin	1				
4-11	575173	• Gasket	1				
4-12	576269	• Needle jet	1				
4-13	576268	• Main jet	1				
4-14	576271	• Float	1				
4-15	576270	• Float chamber, ass'y	1				
4-16	975825	• Screw (M4×10)	2				
4-17	573882	• Packing	1				
4-18	576267	• Body band, ass'y	1				
4-19	979256	• Packing	2				
4-20	972342	• Cock	1				
4-21	576272	• Banjo bolt, ass'y	1				
4-22	979922	Air cleaner, ass'y	1				
4-23	576258	• Cleaner body	1				
4-24	979925	• Cleaner holder (B)	1				
4-25	970132	• Screw (M4×12)	2				
4-26	910017	• Spring washer (M4)	2				
4-27	574173	• Cleaner holder (A)	1				
4-28	979926	• Cleaner sponge	2				
4-29	979924	• Cleaner cap	1				
4-30	979933	Recoil starter, ass'y	1				
4-31	979935	• Recoil starter body, ass'y	1				
4-32	979938	• Starter handle	1				
4-33	975807	• Handle cap	1				
4-34	979936	• Spiral spring	1				
4-35	979934	• Drive pulley	1				
4-36	979937	• Rope	1				
4-37	979941	• Return spring	1				
4-38	979939	• Starter pawl	1				
4-39	979943	• Friction spring	1				
4-40	979944	• Friction plate	1				

# PARTS LIST

# MODEL MD150DX

## 5. ACCESSORIES

From #01880001



MARUYAMA U.S., INC.

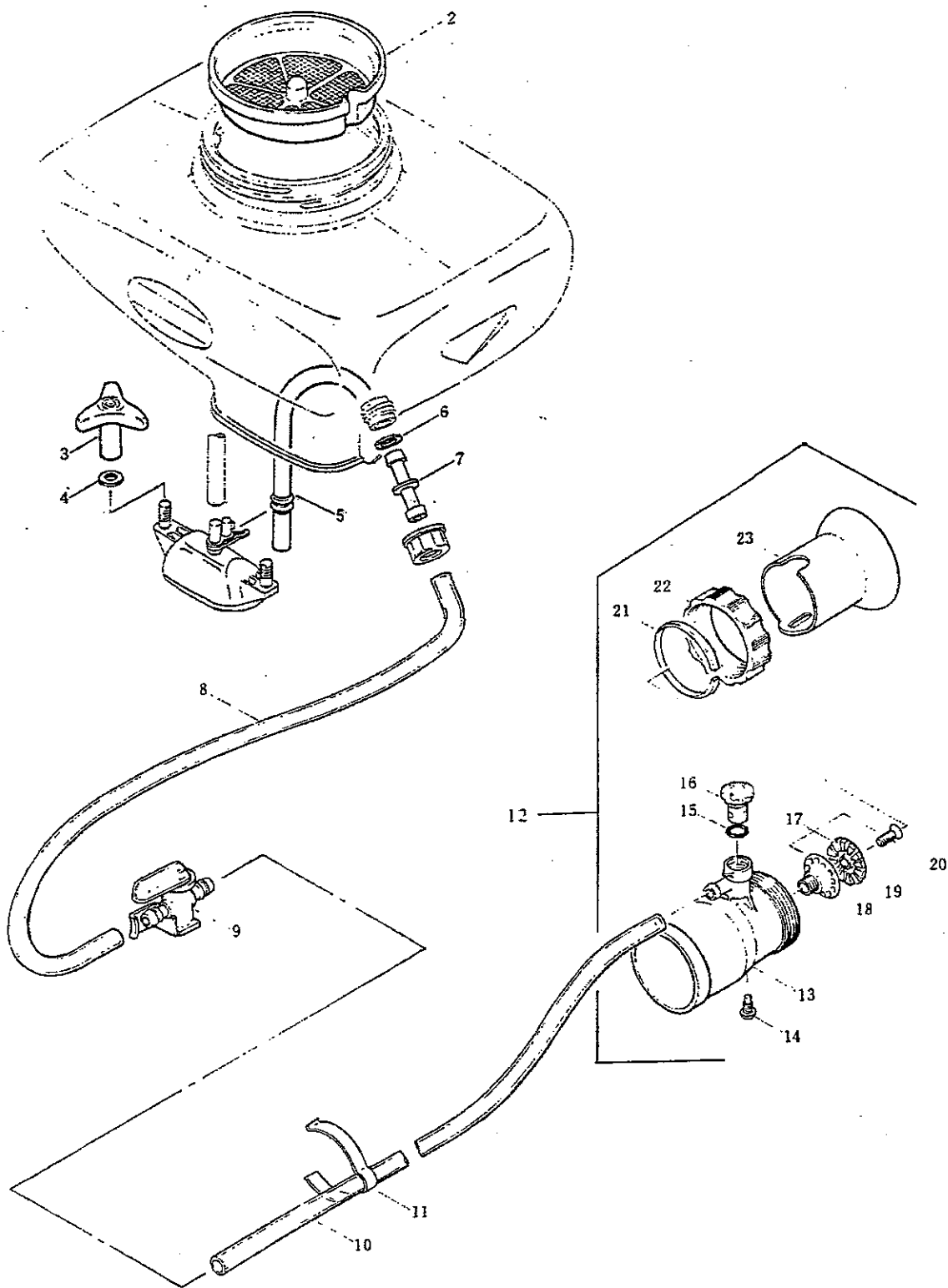
Ref.No.	Parts No.	Parts Name	Q'ty	Ref.No.	Parts No.	Parts Name	Q'ty
5-1	100822	Flexible pipe	1				
5-2	020675	Pipe band	1				
5-3	101096	Swivel pipe	1				
5-4	100869	Straight pipe	1				
5-5	100870	Bent pipe	1				
5-6	025348	Carpet blow pipe joint ring	1				
5-7	024419	Stop ring	1				
5-8	022540	Fuel blending bottle	1				
5-9	104044	Instruction manual	1				
5-10	024404	Box spanner (14X21)	1				
5-11	012723	Box spanner handle	1				
5-12	100823	Wire clamp (φ92)	1				
5-13	100753	Wire clamp (φ78)	1				

# PARTS LIST

# MODEL MD150DX

## 6. ACCESSORIES (MIST ATTACHMENT)

From #01880001



MARUYAMA U.S., INC.

Ref.No.	Parts No.	Parts Name	Q'ty	Ref.No.	Parts No.	Parts Name	Q'ty
6-1	101387	Mist attachment, ass'y	1				
6-2	022410	. Strainer	1				
6-3	025930	. Handle nut	2				
6-4	012489	. Washer (M8)	2				
6-5	025858	. Discharge pipe	1				
6-6	028885	. Packing ( $\phi 13 \times \phi 26 \times t2$ )	1				
6-7	022409	. Hose joint	1				
6-8	024410	. Vinyl pipe ( $\phi 9 \times \phi 12 \times 700L$ )	1				
6-9	024408	. Mist cock, ass'y	1				
6-10	024409	. Vinyl pipe ( $\phi 9 \times \phi 12 \times 950L$ )	1				
6-11	024421	. Stop ring	2				
6-12	024412	. Mist nozzle, ass'y	1				
6-13	024413	.. Mist nozzle	1				
6-14	024811	.. Stopper	1				
6-15	011345	.. O-ring (P12)	1				
6-16	024805	.. Cock	1				
6-17	098228	.. Nozzle	1				
6-18	024801	... Nozzle tip	1				
6-19	024802	... Nozzle cap	1				
6-20	087499	... Screw (M3X0.5X12)	1				
6-21	024800	.. Clamp ring	1				
6-22	024804	.. Nut	1				
6-23	024803	.. Collar, nozzle head	1				



**Maruyama U.S., Inc.**  
3570 Shelby Lane  
Denton, TX 76207  
940-383-7400 voice  
940-383-7466 fax

[www.maruyama-us.com](http://www.maruyama-us.com)