

PARTS LIST

MC-E

CONTENTS

1. MC-E	1 ~ 2
---------------	-------

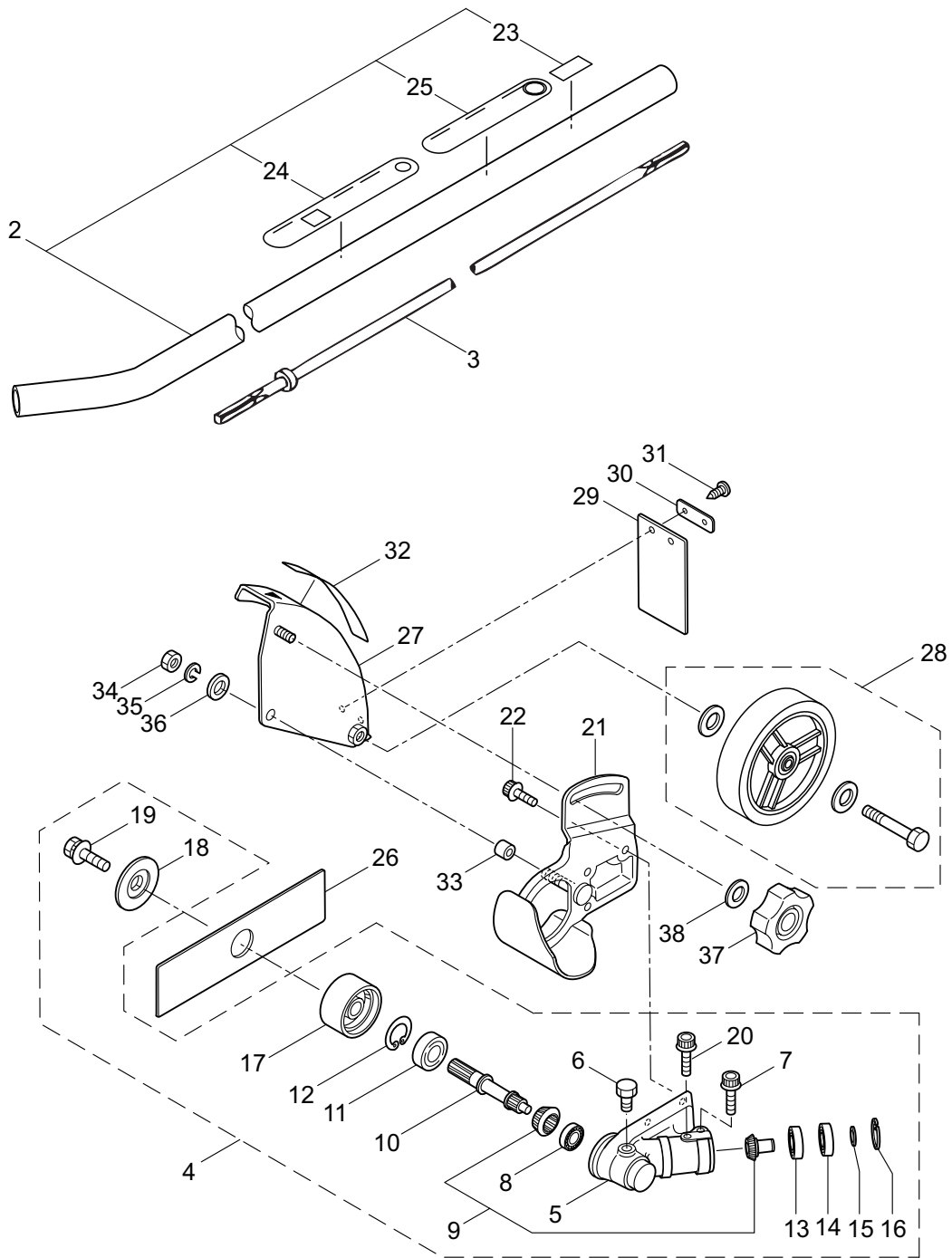
2016. 09.



MARUYAMA

P/N 520662-1

1. MC-E



Ref. No.	Part No.	Part Name	Q'ty	Remarks
1-1	347916	MC-E	1	
1-2	220225	Driveshaft Tube Ass'y	1	Incl.23-25
1-3	216754	Driveshaft	1	
1-4	220168	Gearcase Ass'y	1	Incl.5-20
1-5	219077	Gearcase	1	
1-6	234109	Bolt	1	M8x8
1-7	261246	Cap Screw	1	M5x25
1-8	210554	Bearing	1	#608
1-9	227101	Gear Set	1	
1-10	216056	Blade Shaft	1	
1-11	212999	Bearing	1	#6001 2RK
1-12	055185	Snap Ring	1	#28
1-13	210560	Bearing	1	#609
1-14	140268	Bearing	1	#609Z
1-15	228477	Snap Ring	1	#9
1-16	140270	Snap Ring	1	#24
1-17	220148	Boss Adapter	1	
1-18	232852	Clamping Washer	1	
1-19	215610	Bolt	1	M8x22, Counterclockwise
1-20	215993	Cap Screw	1	M5x10
1-21	238680	Plate Comp	1	
1-22	215993	Cap Screw	3	M5x10
1-23	223926	Label	1	Lubricate
1-24	221501	Label	1	Warning
1-25	221502	Label	1	Caution
1-26	216062	Cutting Blade	1	50x195x3.2
1-27	220158	Shield	1	
1-28	229590	Wheel Ass'y	1	
1-29	220162	Flap	1	
1-30	238686	Plate	1	t1.6
1-31	128195	Screw	2	M4x8
1-32	221528	Label	1	Caution
1-33	220165	Collar	1	8.2x10x8L
1-34	126521	Nut	1	M8
1-35	126232	Spring Washer	1	M8
1-36	127216	Washer	1	M8
1-37	219088	Clamping Knob Ass'y	1	
1-38	127216	Washer	1	M8