

# PARTS LIST

M42BK-QC

## CONTENTS

|                                |         |
|--------------------------------|---------|
| 1. MAIN BODY .....             | 1 ~ 2   |
| 2. SUPPORT FRAME .....         | 3 ~ 4   |
| 3. ENGINE .....                | 5 ~ 8   |
| 4. CARBURETOR, FUEL TANK ..... | 9 ~ 12  |
| 5. ACCESSORIES .....           | 13 ~ 14 |

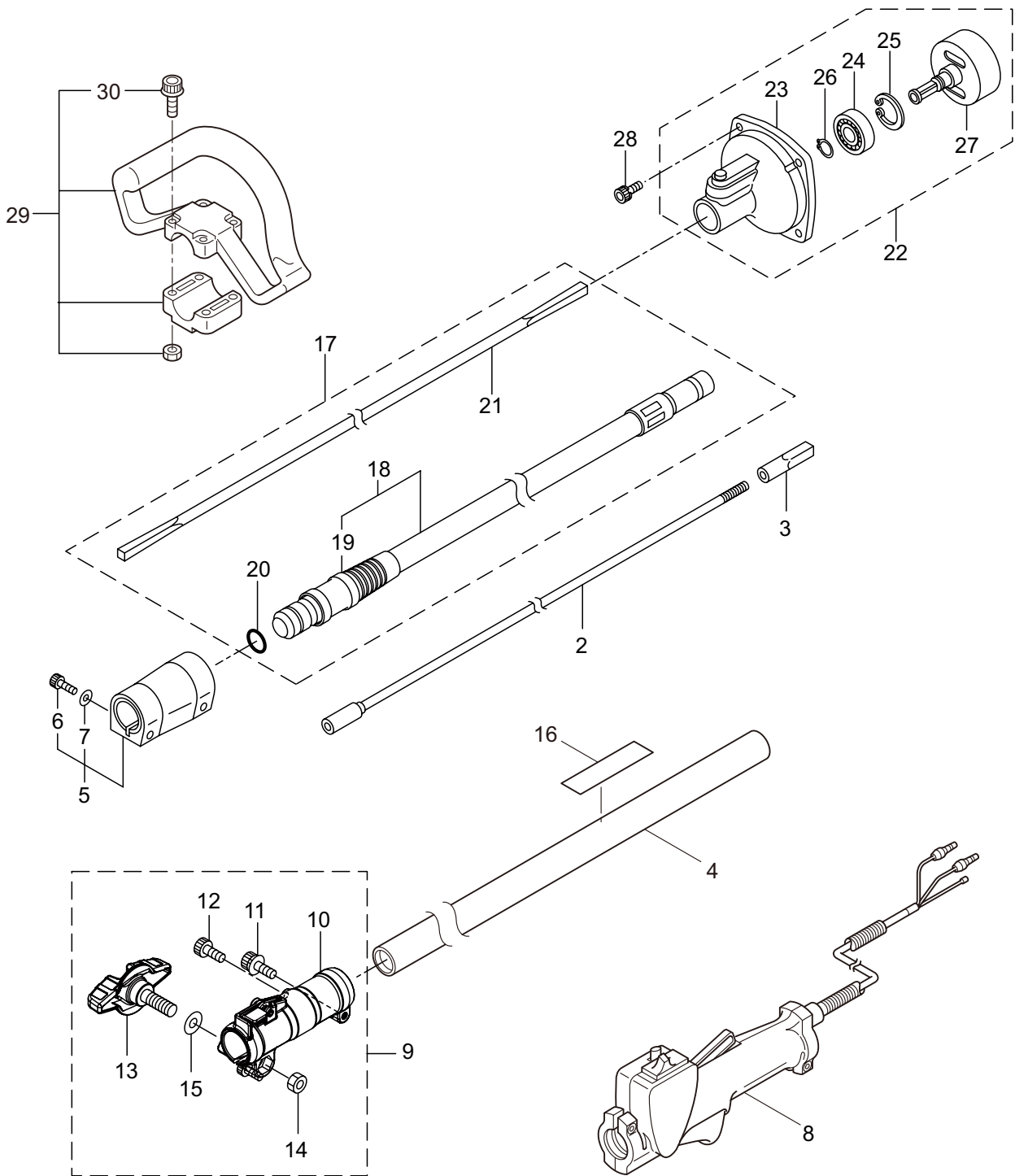
2015. 11.



**MARUYAMA**

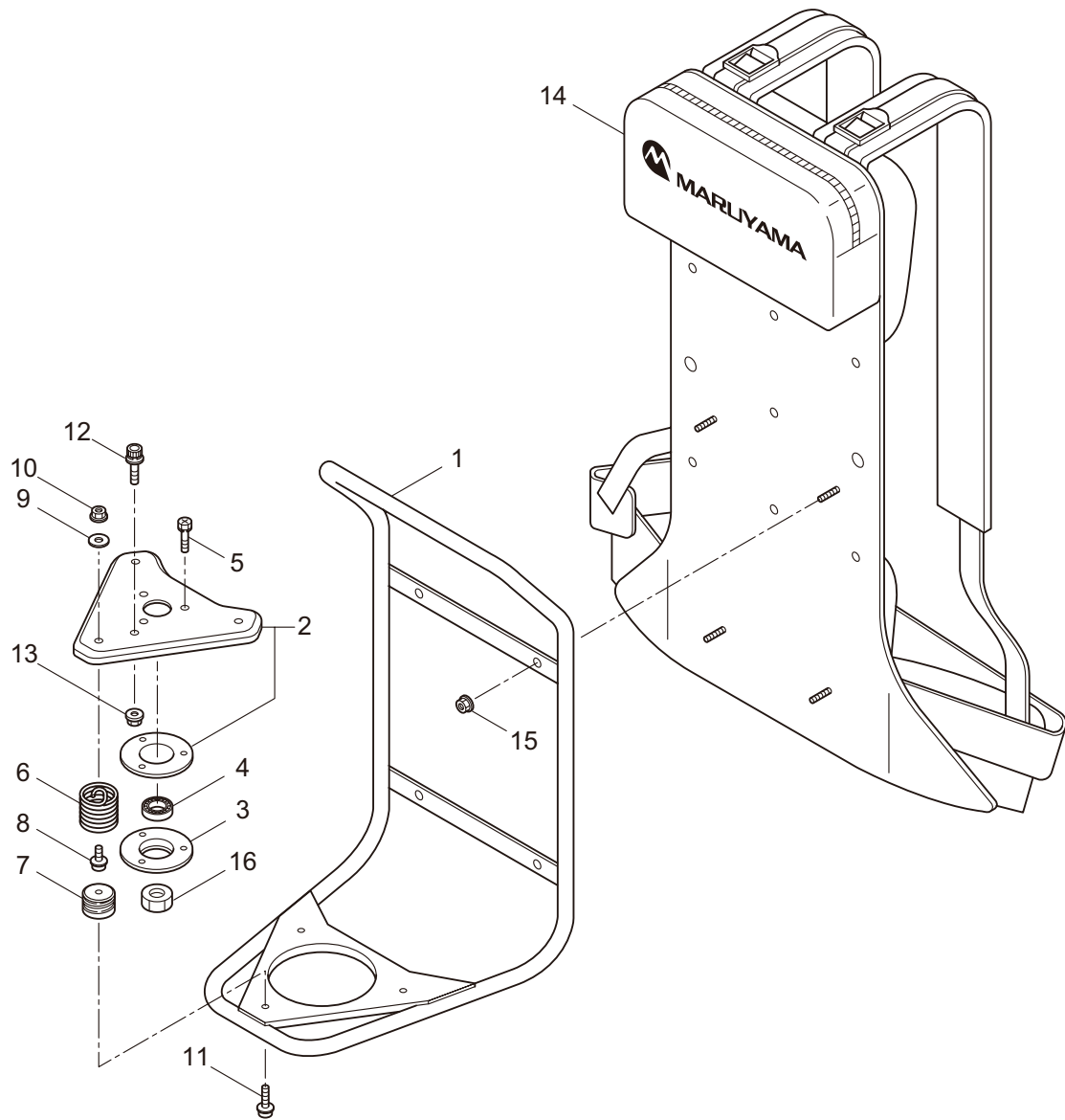
P/N 524199

1. M42BK-QC  
MAIN BODY



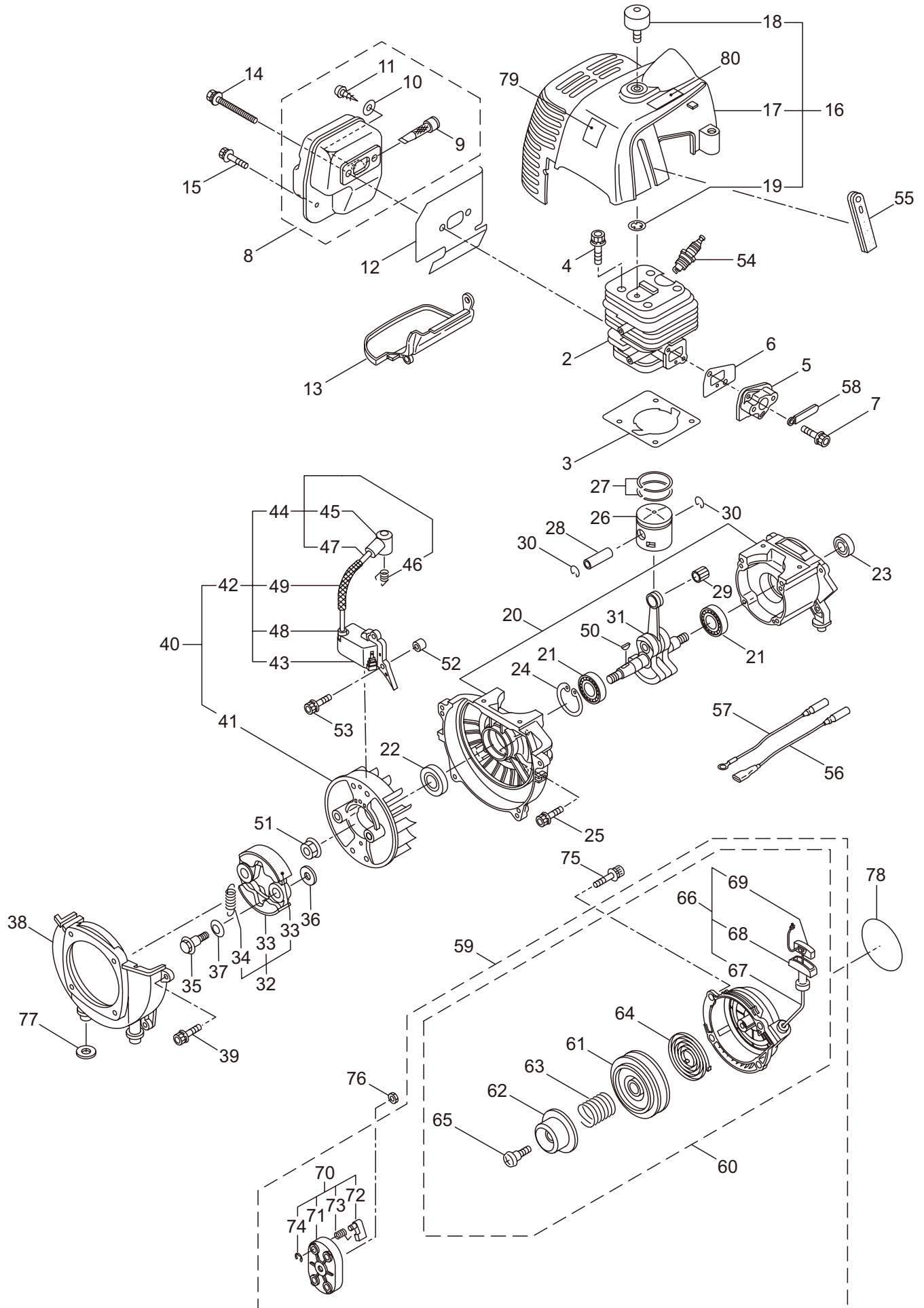
| Ref. No. | Part No. | Part Name         | Q'ty | Remarks    |
|----------|----------|-------------------|------|------------|
| 1-1      | 364531   | M42BK-QC          | 1    |            |
| 1-2      | 237321   | Driveshaft Ass'y  | 1    |            |
| 1-3      | 216924   | Adapter           | 1    |            |
| 1-4      | 237322   | Driveshaft Tube   | 1    |            |
| 1-5      | 214365   | Joint Pipe Ass'y  | 1    | Incl.6,7   |
| 1-6      | 087786   | Cap Screw         | 2    | M5x25      |
| 1-7      | 012487   | Washer            | 1    | M5         |
| 1-8      | 233221   | Throttle Trigger  | 1    |            |
| 1-9      | 237165   | Joint Pipe Ass'y  | 1    | Incl.10-15 |
| 1-10     | 237166   | Joint Pipe        | 1    |            |
| 1-11     | 261246   | Cap Screw         | 1    | M5x25      |
| 1-12     | 231871   | Bolt              | 1    | M5x12      |
| 1-13     | 236962   | Knob              | 1    | M8x26      |
| 1-14     | 126990   | Nut               | 1    | M8         |
| 1-15     | 550131   | Washer            | 1    | M8         |
| 1-16     | 237786   | Label             | 1    | M42BK-QC   |
| 1-17     | 223700   | Outer Ass'y       | 1    | Incl.18-21 |
| 1-18     | 223701   | Outer             | 1    | Incl.19    |
| 1-19     | 215885   | Cover             | 1    |            |
| 1-20     | 011338   | O-Ring            | 1    | P18        |
| 1-21     | 223690   | Inner Shaft       | 1    |            |
| 1-22     | 222416   | Clutch Case Ass'y | 1    | Incl.23-27 |
| 1-23     | 222085   | Clutch Case       | 1    |            |
| 1-24     | 222442   | Bearing           | 1    | #6202 2RS  |
| 1-25     | 012380   | Snap Ring         | 1    | #35        |
| 1-26     | 550118   | Snap Ring         | 1    | WR15       |
| 1-27     | 220336   | Clutch Drum       | 1    |            |
| 1-28     | 219113   | Cap Screw         | 4    | M6x20      |
| 1-29     | 227816   | Loop Handle Ass'y | 1    | Incl.30    |
| 1-30     | 215608   | Cap Screw         | 4    | M5x30x16   |

2. M42BK-QC  
SUPPORT FRAME



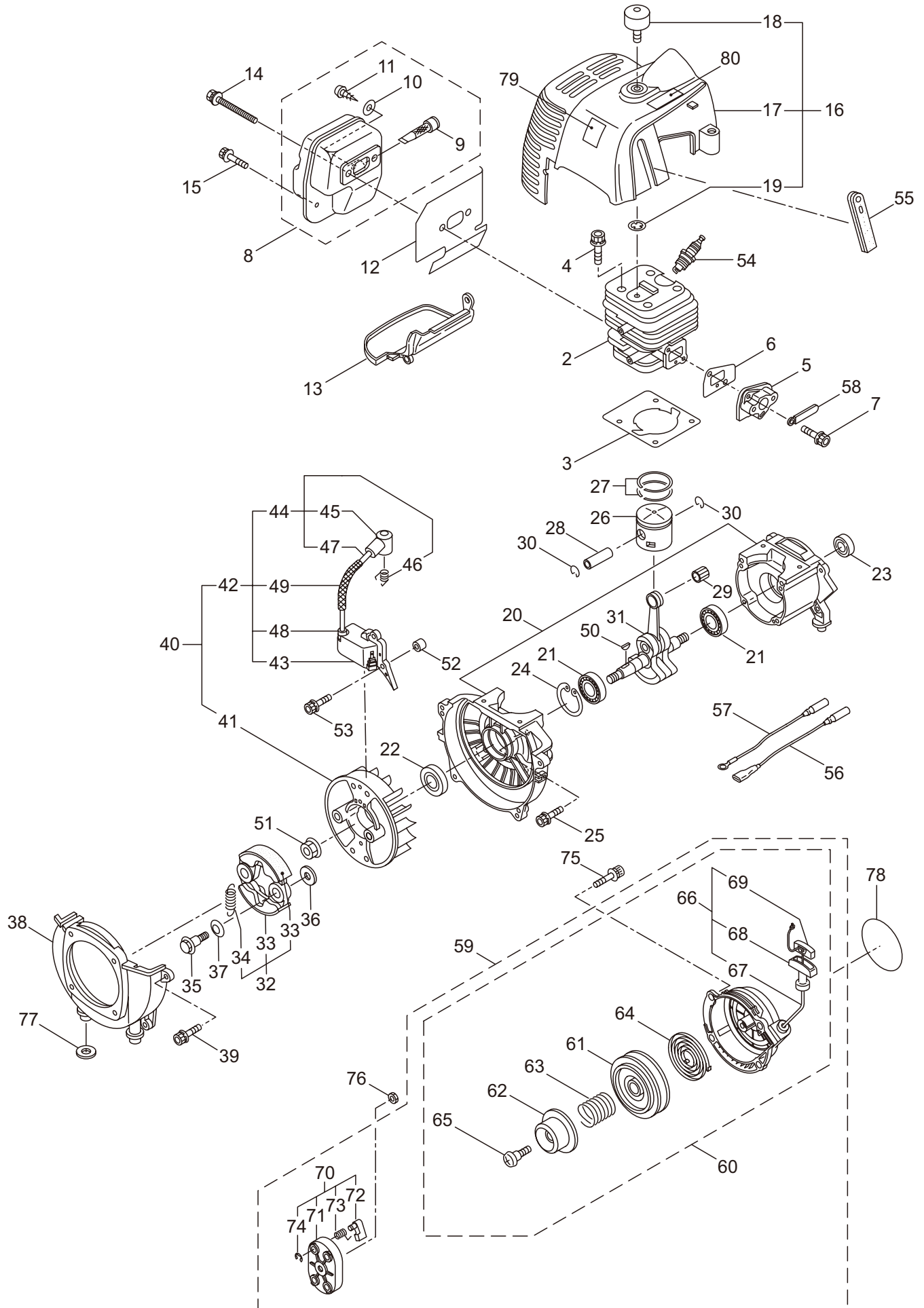
| Ref. No. | Part No. | Part Name          | Q'ty | Remarks   |
|----------|----------|--------------------|------|-----------|
| 2-1      | 224730   | Support Frame      | 1    |           |
| 2-2      | 232316   | Turn Bracket Ass'y | 1    |           |
| 2-3      | 211644   | Bearing Case       | 1    |           |
| 2-4      | 220619   | Bearing            | 1    | #6001UU   |
| 2-5      | 092578   | Bolt               | 3    | M5x10     |
| 2-6      | 231946   | Spring             | 3    |           |
| 2-7      | 231947   | Spring Holder      | 3    |           |
| 2-8      | 228250   | Bolt               | 3    | M5x12     |
| 2-9      | 231948   | Washer             | 3    | 5.2x16xt1 |
| 2-10     | 215230   | Nut                | 3    | M5        |
| 2-11     | 231949   | Screw              | 3    |           |
| 2-12     | 223704   | Cap Screw          | 1    | M6x12     |
| 2-13     | 219959   | Nut                | 1    | M6        |
| 2-14     | 226490   | Pad                | 1    |           |
| 2-15     | 215230   | Nut                | 4    | M5        |
| 2-16     | 084020   | Nut                | 1    | M12       |

### 3. M42BK-QC ENGINE



| Ref. No. | Part No. | Part Name                 | Q'ty | Remarks             |
|----------|----------|---------------------------|------|---------------------|
| 3-1      | 859805   | Engine                    | 1    | CE420/16            |
| 3-2      | 286278   | Cylinder                  | 1    | New gasket required |
| 3-3      | 285772   | Gasket                    | 1    |                     |
| 3-4      | 261246   | Cap Screw                 | 4    | M5x25               |
| 3-5      | 285778   | Insulator                 | 1    | New gasket required |
| 3-6      | 285779   | Gasket                    | 1    |                     |
| 3-7      | 265924   | Cap Screw                 | 2    | M5x25               |
| 3-8      | 288663   | Muffler Ass'y             | 1    | Incl.9-11           |
| 3-9      | 262395   | Spark Arrester            | 1    |                     |
| 3-10     | 284052   | Washer                    | 1    | M3                  |
| 3-11     | 089530   | Tapping Screw             | 1    | M3x10               |
| 3-12     | 285783   | Gasket                    | 1    |                     |
| 3-13     | 285784   | Under Cover               | 1    |                     |
| 3-14     | 266713   | Cap Screw                 | 2    | M5x60               |
| 3-15     | 283315   | Screw                     | 1    | M5x12W-12           |
| 3-16     | 286891   | Top Cover Ass'y           | 1    | Incl.17-19          |
| 3-17     | 285786   | Top Cover                 | 1    |                     |
| 3-18     | 285843   | Knob                      | 1    |                     |
| 3-19     | 286362   | Washer                    | 1    | M6                  |
| 3-20     | 285789   | Crankcase                 | 1    |                     |
| 3-21     | 262658   | Bearing                   | 2    | #6202C3             |
| 3-22     | 262660   | Oil Seal                  | 1    | TC15357             |
| 3-23     | 262565   | Oil Seal                  | 1    | ISCD15257           |
| 3-24     | 012380   | Snap Ring                 | 1    | #35                 |
| 3-25     | 261612   | Cap Screw                 | 4    | M5x30               |
| 3-26     | 285795   | Piston                    | 1    |                     |
| 3-27     | 262476   | Piston Ring               | 2    | (2)Required         |
| 3-28     | 262749   | Piston Pin                | 1    |                     |
| 3-29     | 262659   | Bearing,Needle            | 1    | KTV111414EG01B2     |
| 3-30     | 262479   | Clip,Piston Pin           | 2    |                     |
| 3-31     | 285797   | Crankshaft/Conn.Rod Ass'y | 1    |                     |
| 3-32     | 262577   | Clutch Ass'y              | 1    | Incl.33,34          |
| 3-33     | 282624   | Clutch Shoe               | 2    | (2)required         |
| 3-34     | 263615   | Spring,Clutch             | 1    |                     |
| 3-35     | 283671   | Cap Screw                 | 2    | M8x1.25             |
| 3-36     | 262683   | Washer                    | 2    | 8x22xt1.2           |
| 3-37     | 262682   | Wave Washer               | 2    |                     |
| 3-38     | 282285   | Fan Cover                 | 1    |                     |
| 3-39     | 261250   | Cap Screw                 | 4    | M5x20               |
| 3-40     | 285803   | Magneto Ass'y             | 1    | Incl.41-49          |
| 3-41     | 286207   | Rotor/Fan                 | 1    |                     |
| 3-42     | 285804   | Ignition Coil Ass'y       | 1    | Incl.43-49          |
| 3-43     | 285805   | Coil                      | 1    |                     |
| 3-44     | 285806   | Spark Plug Wire Ass'y     | 1    | Incl.45-47          |
| 3-45     | 261074   | Plug Boot                 | 1    |                     |

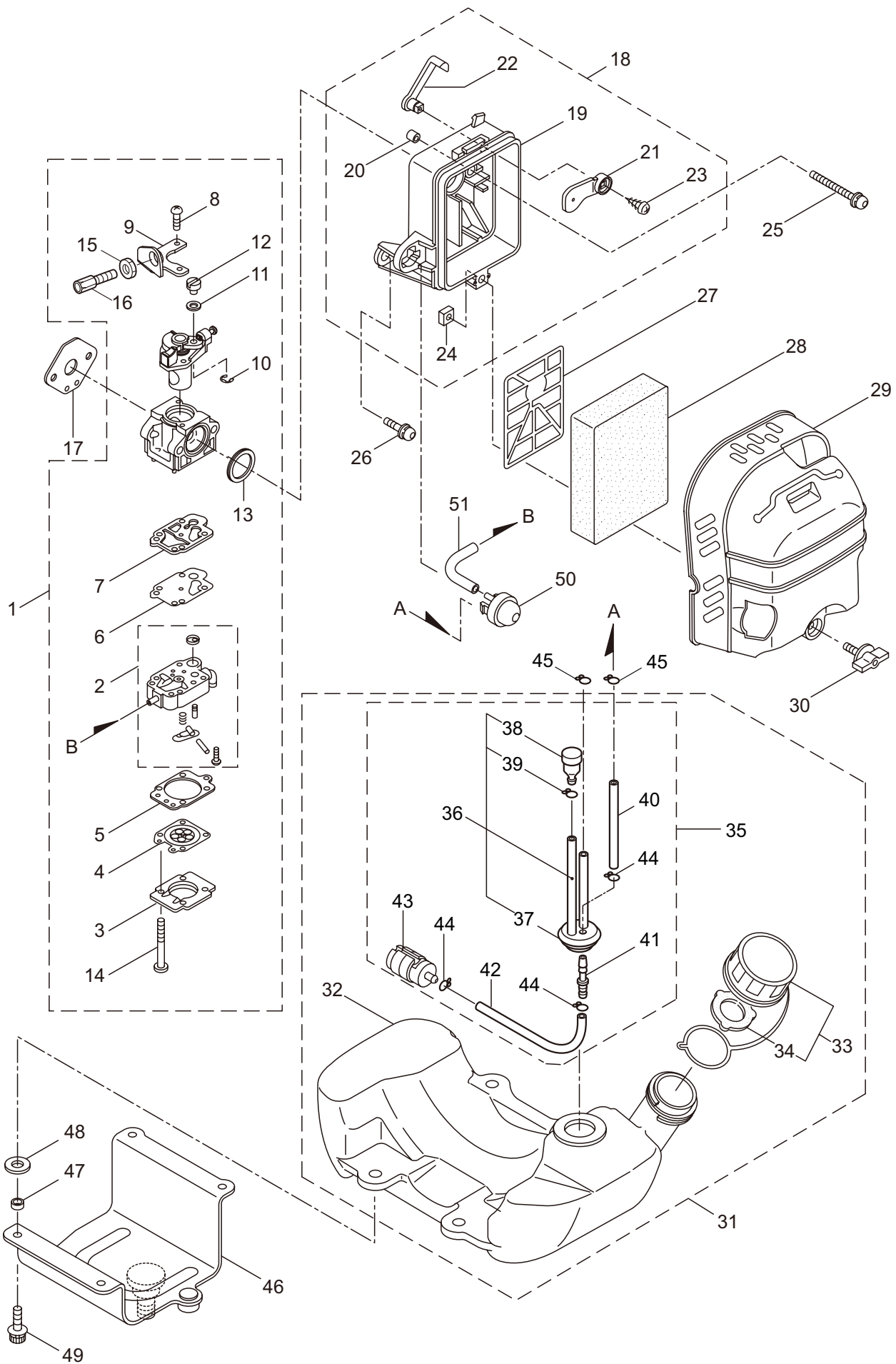
### 3. M42BK-QC ENGINE





| Ref. No. | Part No. | Part Name            | Q'ty | Remarks    |
|----------|----------|----------------------|------|------------|
| 3-46     | 261075   | Connector            | 1    |            |
| 3-47     | 286273   | Spark Plug Wire      | 1    |            |
| 3-48     | 261072   | Cap                  | 1    |            |
| 3-49     | 284759   | Insulator            | 1    |            |
| 3-50     | 261076   | Woodruff Key         | 1    | 3x10       |
| 3-51     | 262731   | Nut,Rotor            | 1    | M10        |
| 3-52     | 280381   | Spacer               | 2    |            |
| 3-53     | 261256   | Cap Screw            | 2    | M4x25      |
| 3-54     | 285982   | Spark Plug           | 1    | NGK BPM8Y  |
| 3-55     | 286988   | Grommet              | 1    |            |
| 3-56     | 288416   | Wire, Lead           | 1    |            |
| 3-57     | 282087   | Lead                 | 1    |            |
| 3-58     | 264588   | Clamp                | 1    |            |
| 3-59     | 285809   | Recoil Starter Ass'y | 1    | Incl.60-74 |
| 3-60     | 285810   | Starter Ass'y        | 1    | Incl.61-69 |
| 3-61     | 286291   | Reel                 | 1    |            |
| 3-62     | 286292   | Cam Plate            | 1    |            |
| 3-63     | 286293   | Damper Spring        | 1    |            |
| 3-64     | 280995   | Spiral Spring        | 1    |            |
| 3-65     | 286295   | Set Screw            | 1    |            |
| 3-66     | 286296   | Starter Rope Ass'y   | 1    | Incl.67-69 |
| 3-67     | 286297   | Starter Rope         | 1    | 3.8x1000   |
| 3-68     | 262633   | Starter Grip         | 1    |            |
| 3-69     | 262981   | Cap                  | 1    |            |
| 3-70     | 285679   | Starter Pulley Ass'y | 1    | Incl.71-74 |
| 3-71     | 285680   | Starter Pulley       | 1    |            |
| 3-72     | 285681   | Pawl                 | 2    |            |
| 3-73     | 285682   | Return Spring        | 2    |            |
| 3-74     | 262638   | E-Ring               | 2    |            |
| 3-75     | 268940   | Screw                | 4    | M5x18      |
| 3-76     | 285736   | Nut                  | 1    | M8         |
| 3-77     | 285735   | Packing              | 4    |            |
| 3-78     | 275942   | Label                | 1    | M42BK-QC   |
| 3-79     | 275943   | Label                | 1    | M42BK-QC   |
| 3-80     | 287272   | Label                | 1    |            |

4. M42BK-QC  
CARBURETOR, FUEL TANK

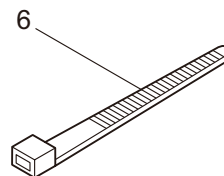
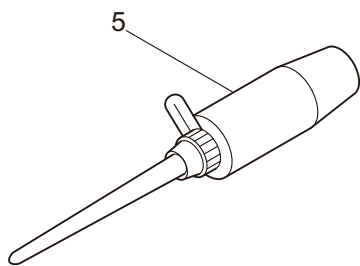
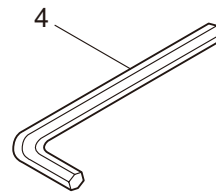
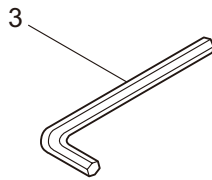
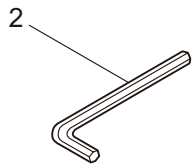
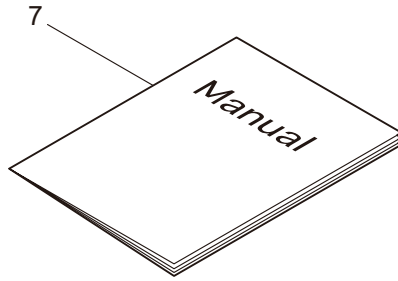
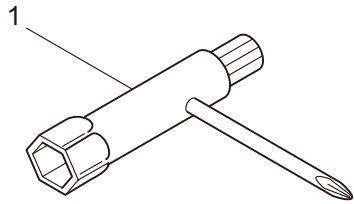


| Ref. No. | Part No. | Part Name               | Q'ty | Remarks                       |
|----------|----------|-------------------------|------|-------------------------------|
| 4-1      | 288451   | Carburetor Ass'y        | 1    | Incl.2-16 New gasket required |
| 4-2      | 283124   | Pump Body               | 1    |                               |
| 4-3      | 263726   | Cover Plate             | 1    |                               |
| 4-4      | 283905   | Diaphragm, Meterring    | 1    |                               |
| 4-5      | 263727   | Gasket                  | 1    |                               |
| 4-6      | 262994   | Diaphragm,Fuel Pump     | 1    |                               |
| 4-7      | 282576   | Gasket                  | 1    |                               |
| 4-8      | 261875   | Screw                   | 2    |                               |
| 4-9      | 264677   | Bracket                 | 1    |                               |
| 4-10     | 261876   | E-Ring                  | 1    |                               |
| 4-11     | 264678   | Washer                  | 1    |                               |
| 4-12     | 261658   | Swivel                  | 1    |                               |
| 4-13     | 261657   | Packing                 | 1    |                               |
| 4-14     | 263737   | Screw                   | 4    |                               |
| 4-15     | 261878   | Nut                     | 1    |                               |
| 4-16     | 263994   | Adapter                 | 1    |                               |
| 4-17     | 282301   | Gasket                  | 1    |                               |
| 4-18     | 282302   | Case Ass'y              | 1    | Incl.19-24                    |
| 4-19     | 282303   | Case Body               | 1    |                               |
| 4-20     | 282484   | Sleeve                  | 3    |                               |
| 4-21     | 282304   | Valve                   | 1    |                               |
| 4-22     | 282305   | Lever                   | 1    |                               |
| 4-23     | 269032   | Screw                   | 1    |                               |
| 4-24     | 269423   | Nut                     | 1    |                               |
| 4-25     | 261814   | Cap Screw               | 2    | M5x50                         |
| 4-26     | 264807   | Cap Screw               | 1    | M5x16                         |
| 4-27     | 282481   | Plate                   | 1    |                               |
| 4-28     | 282306   | Element                 | 1    |                               |
| 4-29     | 285814   | Cleaner Cover           | 1    |                               |
| 4-30     | 281438   | Knob                    | 1    |                               |
| 4-31     | 289040   | Fuel Tank Ass'y         | 1    | Incl.32-44                    |
| 4-32     | 285817   | Fuel Tank               | 1    |                               |
| 4-33     | 289046   | Tank Cap Ass'y          | 1    | Incl.34                       |
| 4-34     | 287058   | Gasket                  | 1    |                               |
| 4-35     | 289041   | Fuel Pipe Pick-up Ass'y | 1    | Incl.36-44                    |
| 4-36     | 289042   | Fuel Pipe Ass'y         | 1    | Incl.37-39                    |
| 4-37     | 268065   | Grommet                 | 1    |                               |
| 4-38     | 261590   | Breather                | 1    |                               |
| 4-39     | 261117   | Clip                    | 1    |                               |
| 4-40     | 289028   | Pipe A                  | 1    | 3x5x53L                       |
| 4-41     | 288921   | Joint                   | 1    |                               |
| 4-42     | 289029   | Pipe                    | 1    | 3x5x125L                      |
| 4-43     | 267328   | Fuel Filter Ass'y       | 1    |                               |
| 4-44     | 261117   | Clip                    | 3    |                               |
| 4-45     | 261117   | Clip                    | 2    |                               |



| Ref. No. | Part No. | Part Name | Q'ty | Remarks |
|----------|----------|-----------|------|---------|
| 4-46     | 287270   | Bracket   | 1    |         |
| 4-47     | 288592   | Sleeve    | 4    |         |
| 4-48     | 285735   | Packing   | 4    |         |
| 4-49     | 261250   | Cap Screw | 4    | M5x20   |
| 4-50     | 282299   | Pump      | 1    |         |
| 4-51     | 282512   | Fuel Pipe | 1    |         |

5. M42BK-QC  
ACCESSORIES



| Ref. No. | Part No. | Part Name          | Q'ty | Remarks   |
|----------|----------|--------------------|------|-----------|
| 5-1      | 210418   | Box Spanner        | 1    | 13x19x(+) |
| 5-2      | 219431   | Wrench             | 1    | 3mm       |
| 5-3      | 219432   | Wrench             | 1    | 4mm       |
| 5-4      | 219433   | Wrench             | 1    | 5mm       |
| 5-5      | 211337   | Grease Tube        | 1    |           |
| 5-6      | 220548   | Band               | 4    |           |
| 5-7      | 237790   | Instruction Manual | 1    |           |