



MARUYAMA U.S., INC.

301 – 30th Street NE, Suite 118, Auburn, WA 98002

PO Box 309, Auburn, WA 98071-0309

Phone (253) 735-7368 Fax (253) 735-1416

ILLUSTRATED PARTS LIST

MODEL M15P

MANUAL BACKPACK SPRAYER

Effective 5-15-93

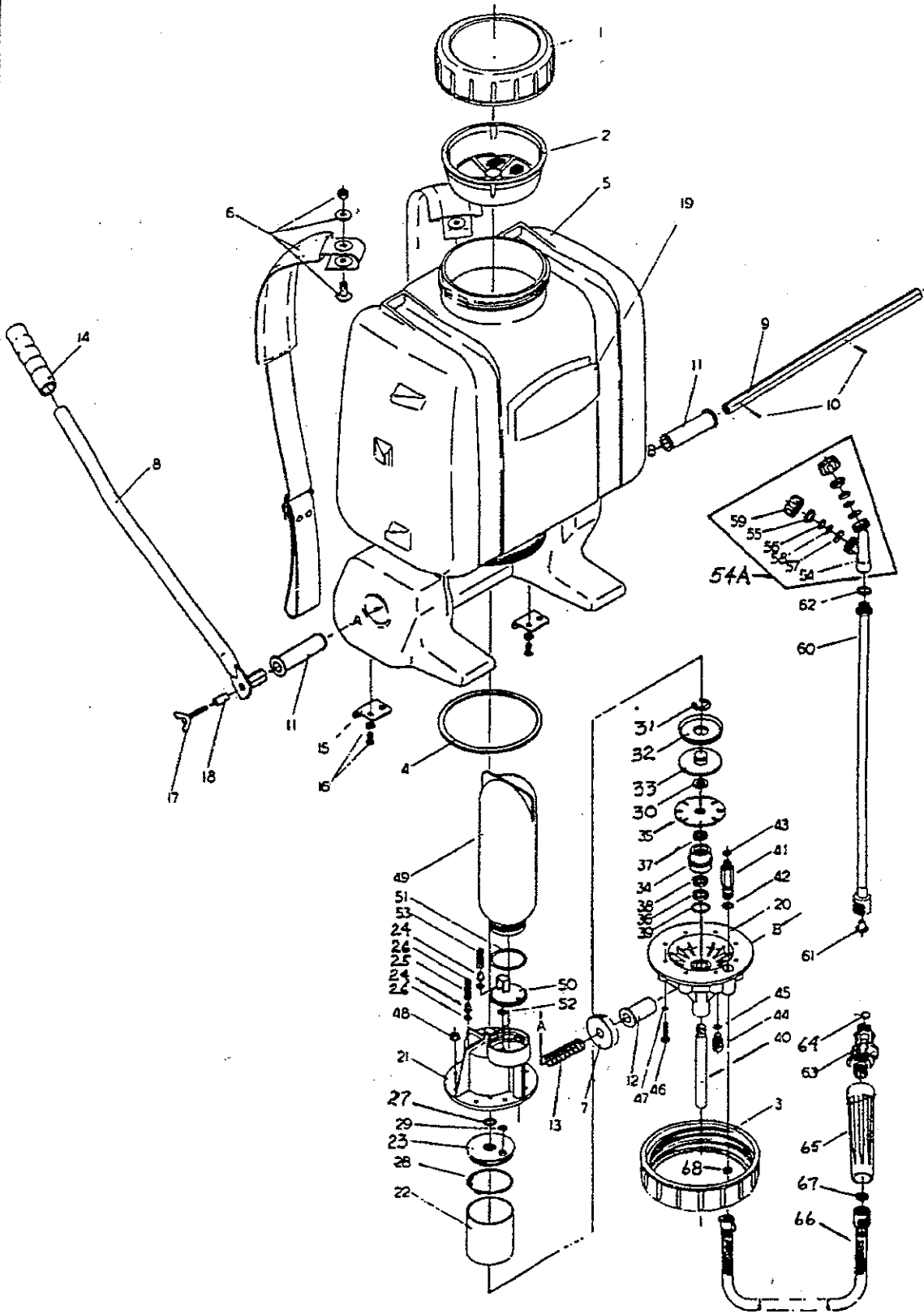


Maruyama — Manufacturing quality agricultural sprayers and equipment since 1895.

PARTS LIST

MODEL M15P

1. EXPLODED VIEW - COMPLETE ASSEMBLY



MARUYAMA U.S., INC.

Ref. No.	Parts No.	Parts Name	Q'ty.	Ref. No.	Parts No.	Parts Name	Q'ty.
1-1	575198	Chemical tank lid	1	1-41	575278	Discharge nut	1
1-2	575200	Water inlet strainer	1	1-42	574691	O-ring	1
1-3	575202	Pump cap	1	1-43	575281	O-ring	1
1-4	575204	Pump packing	1	1-44	575283	Drain plug	1
1-5	575206	Chemical tank	1	1-45	575281	O-ring	1
1-6	575208	Strap assembly	1	1-46	575286	Screw	8
1-7	575210	Gear	1	1-47	575288	O-ring	8
1-8	575212	Handle	1	1-48	575290	Nut	8
1-9	575214	Rod	1	1-49	575292	Chamber	1
1-10	575216	Cotter pin	2	1-50	575294	Safety valve holder	1
1-11	575218	Side sleeve	2	1-51	575296	O-ring	1
1-12	575220	Center sleeve	1	1-52	575254	O-ring	1
1-13	575222	Gear spring	1	1-53	575299	Safety valve spring	1
1-14	575224	Grip	1	1-54A	575336	Nozzle ass'y.	1
1-15	575226	Bracket	2	1-54	575301	. Nozzle body	1
1-16	575228	Screw	4	1-55	575303	. Nozzle disc.	2
1-17	575230	Butterfly bolt	1	1-56	575305	. Swirl disk	2
1-18	575232	Spacer	1	1-57	575307	. Packing	2
1-19	575234	Name plate	1	1-58	575309	. O-ring	2
1-20	575236	Gear case	1	1-59	575311	. Nozzle cap	2
1-21	575238	Cylinder Case Ass'y	1	1-60	575313	Lance	1
1-22	N/A	. Cylinder pipe	1	1-61	575315	Discharge valve packing	1
1-23	N/A	. Cylinder top ring	1	1-62	574698	Packing	1
1-24	575260	. Safety valve	2	1-63	575318	Valve ass'y.	1
1-25	575258	. Safety valve spring	1	1-64	575288	O-ring	1
1-26	575262	. Packing	2	1-65	575329	Grip	1
1-27	575256	. O-ring	1	1-66	575331	Spray hose	1
1-28	575252	. O-ring	1	1-67	575333	Packing	1
1-29	575254	. O-ring	1	1-68	574696	Packing	1
1-30	575248	Washer	1				
1-31	575246	E-ring	1				
1-32	575244	Cup	1				
1-33	575242	Cup holder	1				
1-34	575264	O-ring Holder A	1				
1-35	575266	O-ring holder B	1				
1-36	575268	Callar	1				
1-37	575270	X-ring	1				
1-38	575272	Felt-ring	1				
1-39	575274	O-ring	1				
1-40	575276	Rod	1				



Maruyama U.S., Inc.
3570 Shelby Lane
Denton, TX 76207
940-383-7400 voice
940-383-7466 fax

www.maruyama-us.com