

# PARTS LIST

M-820BL

## CONTENTS

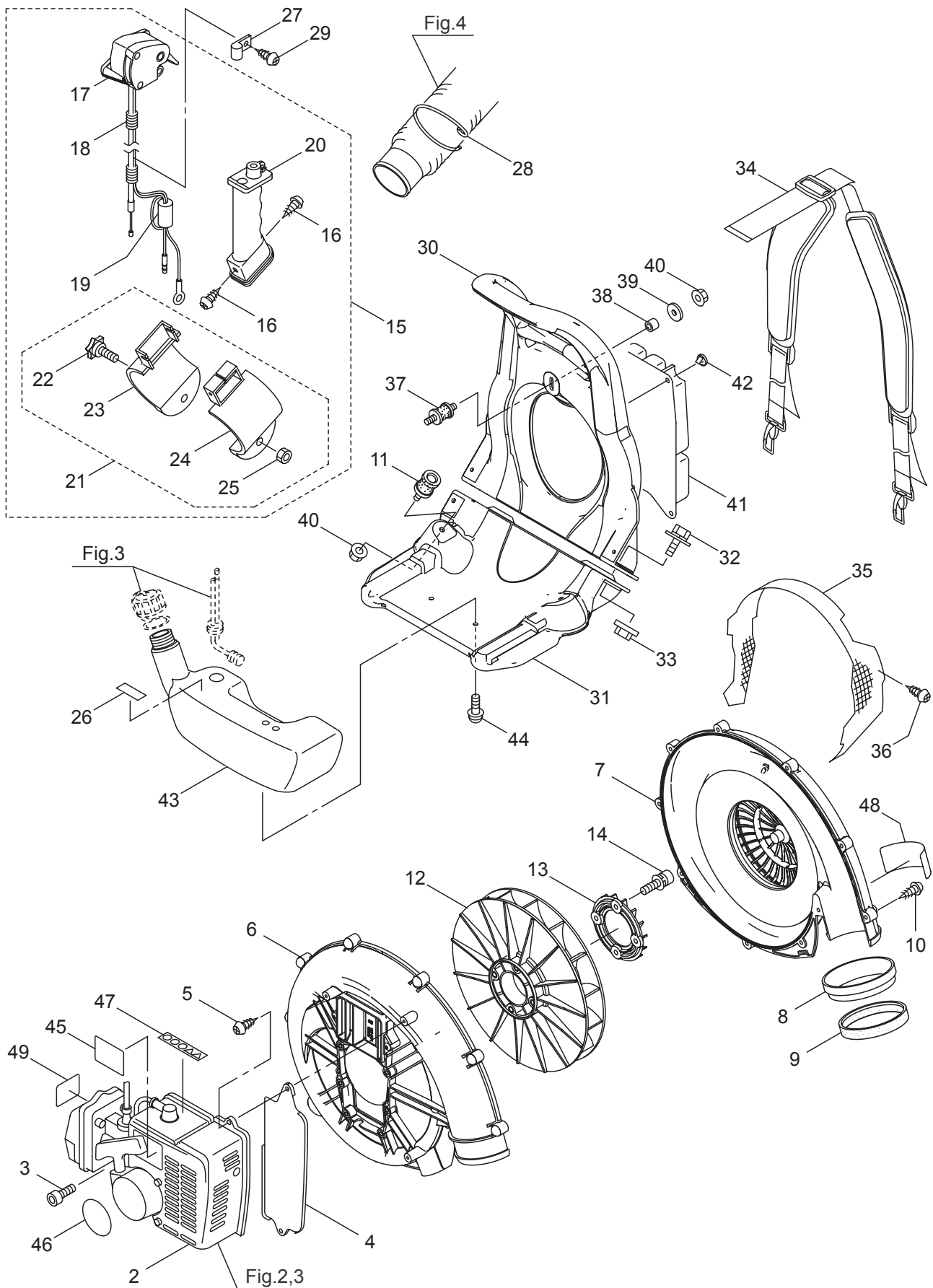
|                                       |         |
|---------------------------------------|---------|
| 1. FRAME & BLOWER .....               | 1 ~ 4   |
| 2. ENGINE (CYLINDER, CRANKCASE) ..... | 5 ~ 8   |
| 3. ENGINE (CARBURETOR, MUFFLER).....  | 9 ~ 12  |
| 4. ACCESSORIES .....                  | 13 ~ 14 |

2011. 06.



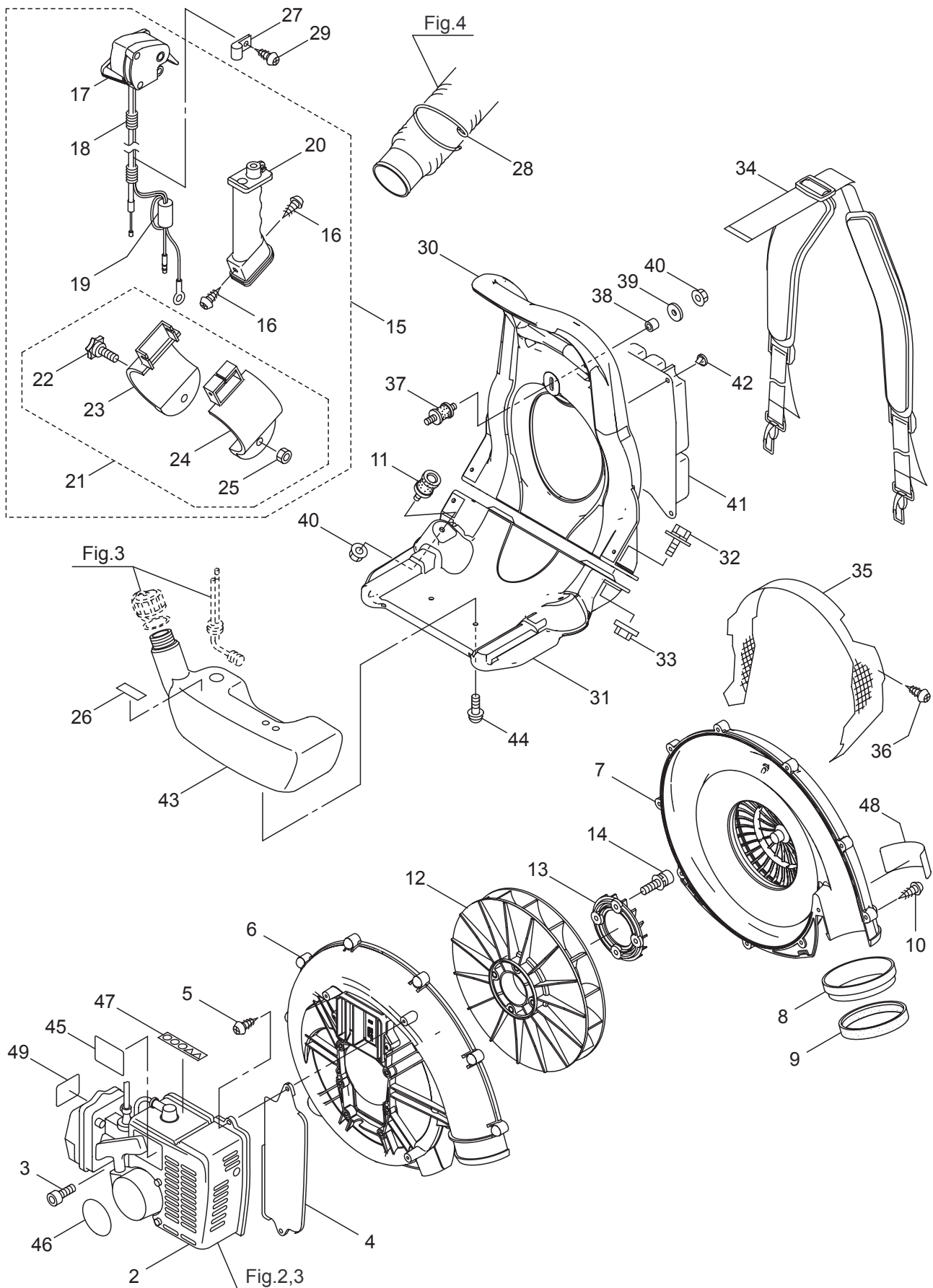
P/N 523226

1. M-820BL  
 FRAME & BLOWER



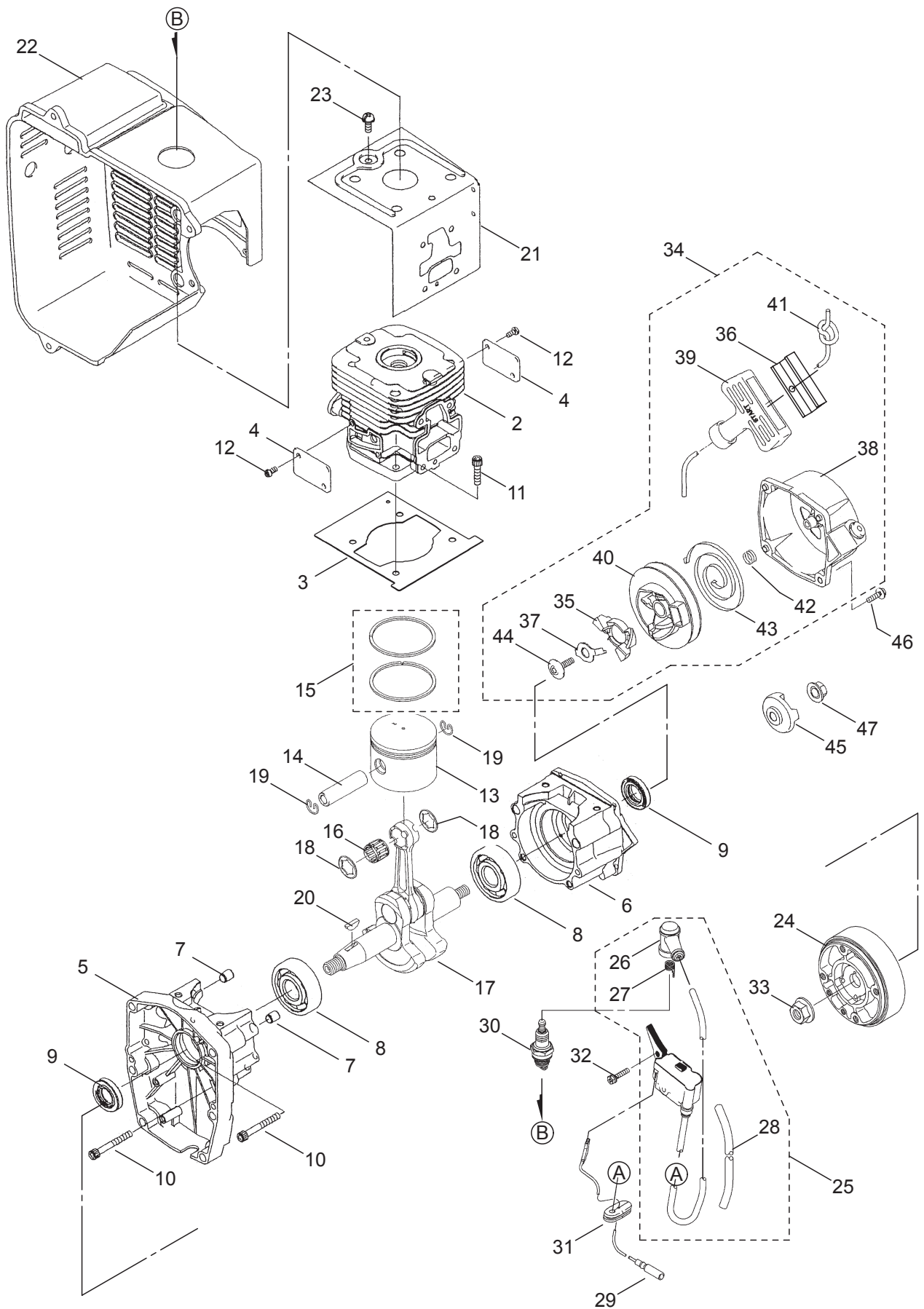
| Ref. No. | Part No. | Part Name               | Q'ty | Remarks       |
|----------|----------|-------------------------|------|---------------|
| 1-1      | 395822   | M-820BL                 | 1    |               |
| 1-2      | 129624   | Engine                  | 1    | TK065D-AG23   |
| 1-3      | 128142   | Bolt                    | 6    | M6x30         |
| 1-4      | 125404   | Gasket                  | 1    |               |
| 1-5      | 127295   | Screw                   | 3    | M5x16(P-type) |
| 1-6      | 125405   | Fan Case (Engine Side)  | 1    |               |
| 1-7      | 125410   | Fan Case (Frame Side)   | 1    |               |
| 1-8      | 119160   | Collar                  | 1    |               |
| 1-9      | 119161   | Rubber Band             | 1    |               |
| 1-10     | 129618   | Tapping Screw           | 10   | M5x25         |
| 1-11     | 120615   | Buffer                  | 2    |               |
| 1-12     | 128908   | Fan                     | 1    |               |
| 1-13     | 128910   | Ring                    | 1    |               |
| 1-14     | 128911   | Bolt                    | 4    | M6x40(W12xT2) |
| 1-15     | 126327   | Throttle Ass'y          | 1    | Incl.16-25    |
| 1-16     | 127297   | Screw                   | 2    | M5x20         |
| 1-17     | 125756   | Throttle                | 1    |               |
| 1-18     | 126734   | Throttle Wire Ass'y     | 1    |               |
| 1-19     | 129845   | Ferrite Core            | 1    |               |
| 1-20     | 118811   | Grip                    | 1    |               |
| 1-21     | 122609   | Band                    | 1    | Incl.22-25    |
| 1-22     | 127299   | Knob Bolt               | 1    | M6x30         |
| 1-23     | 122414   | Holder, (A)             | 1    |               |
| 1-24     | 122416   | Holder, (B)             | 1    |               |
| 1-25     | 127298   | Nut                     | 1    | M6            |
| 1-26     | 121132   | Label                   | 1    | Coution       |
| 1-27     | 127305   | Clamp                   | 1    |               |
| 1-28     | 126049   | Clamp                   | 1    |               |
| 1-29     | 127300   | Screw                   | 1    | M5x18         |
| 1-30     | 125427   | Backpack Frame A        | 1    |               |
| 1-31     | 125429   | Backpack Frame B        | 1    |               |
| 1-32     | 127301   | Bolt                    | 4    | M6x20(SM)     |
| 1-33     | 127228   | Nut                     | 4    | M6            |
| 1-34     | 125432   | Shoulder Strap Assembly | 1    |               |
| 1-35     | 127728   | Screen                  | 1    |               |
| 1-36     | 127786   | Screw                   | 2    | M5x12         |
| 1-37     | 101877   | Buffer                  | 1    |               |
| 1-38     | 120616   | Collar                  | 1    |               |
| 1-39     | 120617   | Packing                 | 1    |               |
| 1-40     | 127228   | Nut                     | 3    | M6            |
| 1-41     | 119177   | Cushion Pad             | 1    |               |
| 1-42     | 100749   | Fastener                | 4    | #7            |
| 1-43     | 127707   | Fuel Tank               | 1    |               |
| 1-44     | 125561   | Screw                   | 2    | M5x14         |
| 1-45     | 130373   | Label                   | 1    | M-820BL       |

1. M-820BL  
 FRAME & BLOWER



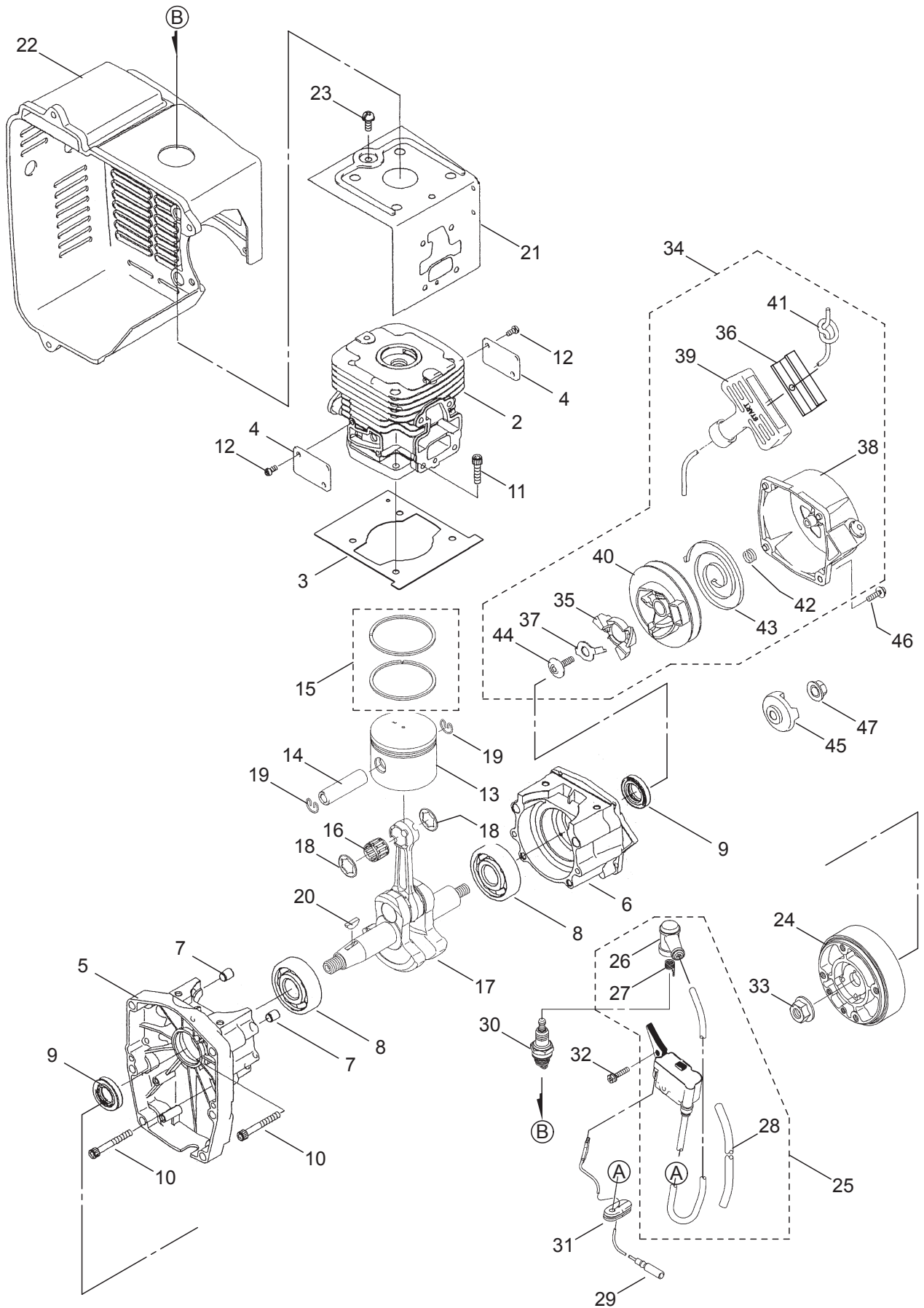
| Ref. No. | Part No. | Part Name | Q'ty | Remarks |
|----------|----------|-----------|------|---------|
| 1-46     | 130399   | Label     | 1    | M-LINE  |
| 1-47     | 266959   | Label     | 1    | Caution |
| 1-48     | 130398   | Label     | 1    |         |
| 1-49     | 125747   | Label     | 1    |         |

2. M-820BL  
ENGINE (CYLINDER, CRANKCASE)



| Ref. No. | Part No. | Part Name        | Q'ty | Remarks                  |
|----------|----------|------------------|------|--------------------------|
| 2-1      | 129624   | Engine           | 1    | TK065D-AG23              |
| 2-2      | 649312   | Cylinder         | 1    | 11005-2157               |
| 2-3      | 415369   | Gasket, Cylinder | 1    | 11061-2219               |
| 2-4      | 649314   | Plate            | 2    | 13271-2258               |
| 2-5      | 414427   | Crankcase        | 1    | 14080-2072               |
| 2-6      | 414428   | Crankcase        | 1    | 14080-2073               |
| 2-7      | 573908   | Pin              | 2    | 92043-1302               |
| 2-8      | 649317   | Ball Bearing     | 2    | 6303C3 92045-2268        |
| 2-9      | 414429   | Oil Seal         | 2    | 17x30x7 92049-2271       |
| 2-10     | 414431   | Bolt-Socket      | 4    | 5x40 120CB0540           |
| 2-11     | 414430   | Bolt-Socket      | 4    | 5x20 120CB0520           |
| 2-12     | 410897   | Screw            | 4    | 4x8 214AA0408            |
| 2-13     | 649321   | Piston           | 1    | 13001-2163               |
| 2-14     | 649322   | Piston Pin       | 1    | 13002-2093               |
| 2-15     | 649323   | Piston Ring Set  | 1    | 13008-6066               |
| 2-16     | 649325   | Bearing          | 1    | 13033-2063               |
| 2-17     | 414432   | Crankshaft Ass'y | 1    | 49119-2244               |
| 2-18     | 414433   | Spacer           | 2    | 11.2x18.5x0.9 92026-2362 |
| 2-19     | 943307   | Snap Ring        | 2    | 92033-2058               |
| 2-20     | 071695   | Woodruff Key     | 1    | 510A3200                 |
| 2-21     | 649329   | Shroud           | 1    | 49089-2607               |
| 2-22     | 400923   | Shroud           | 1    | 49089-2617               |
| 2-23     | 415370   | Screw            | 1    | 5x12 241AA0512           |
| 2-24     | 414436   | Flywheel         | 1    | 21050-2325               |
| 2-25     | 415371   | Coil Ass'y       | 1    | Incl.26-28 21171-2263    |
| 2-26     | 591532   | Spark Plug Cap   | 1    | 21130-2056               |
| 2-27     | 591533   | Terminal         | 1    | 21169-2051               |
| 2-28     | 998411   | Tube             | 1    | 6x7.4x300L 92059-2233    |
| 2-29     | 649332   | Lead Wire        | 1    | 26011-2379               |
| 2-30     | 649333   | Spark Plug       | 1    | BPMR7A 92070-2113        |
| 2-31     | 649334   | Grommet          | 1    | 92071-2164               |
| 2-32     | 649335   | Bolt             | 2    | 4x20 92153-2079          |
| 2-33     | 649336   | Nut              | 1    | M10 92210-1325           |
| 2-34     | 400921   | Recoil Starter   | 1    | Incl.35-44 49088-2557    |
| 2-35     | 649370   | Pawl             | 1    | 13165-2101               |
| 2-36     | 400919   | Plate            | 1    | 13183-2007               |
| 2-37     | 649371   | Retainer         | 1    | 14020-2113               |
| 2-38     | 649372   | Case             | 1    | 32099-2400               |
| 2-39     | 400920   | Grip             | 1    | 46075-2157               |
| 2-40     | 649376   | Reel             | 1    | 59101-2117               |
| 2-41     | 649377   | Rope             | 1    | 3.5x1000 59106-2174      |
| 2-42     | 649378   | Spring           | 1    | 92145-2142               |
| 2-43     | 400922   | Spring           | 1    | 92145-2159               |
| 2-44     | 649380   | Screw            | 1    | 92172-2083               |
| 2-45     | 649374   | Starting Pulley  | 1    | 49080-2198               |

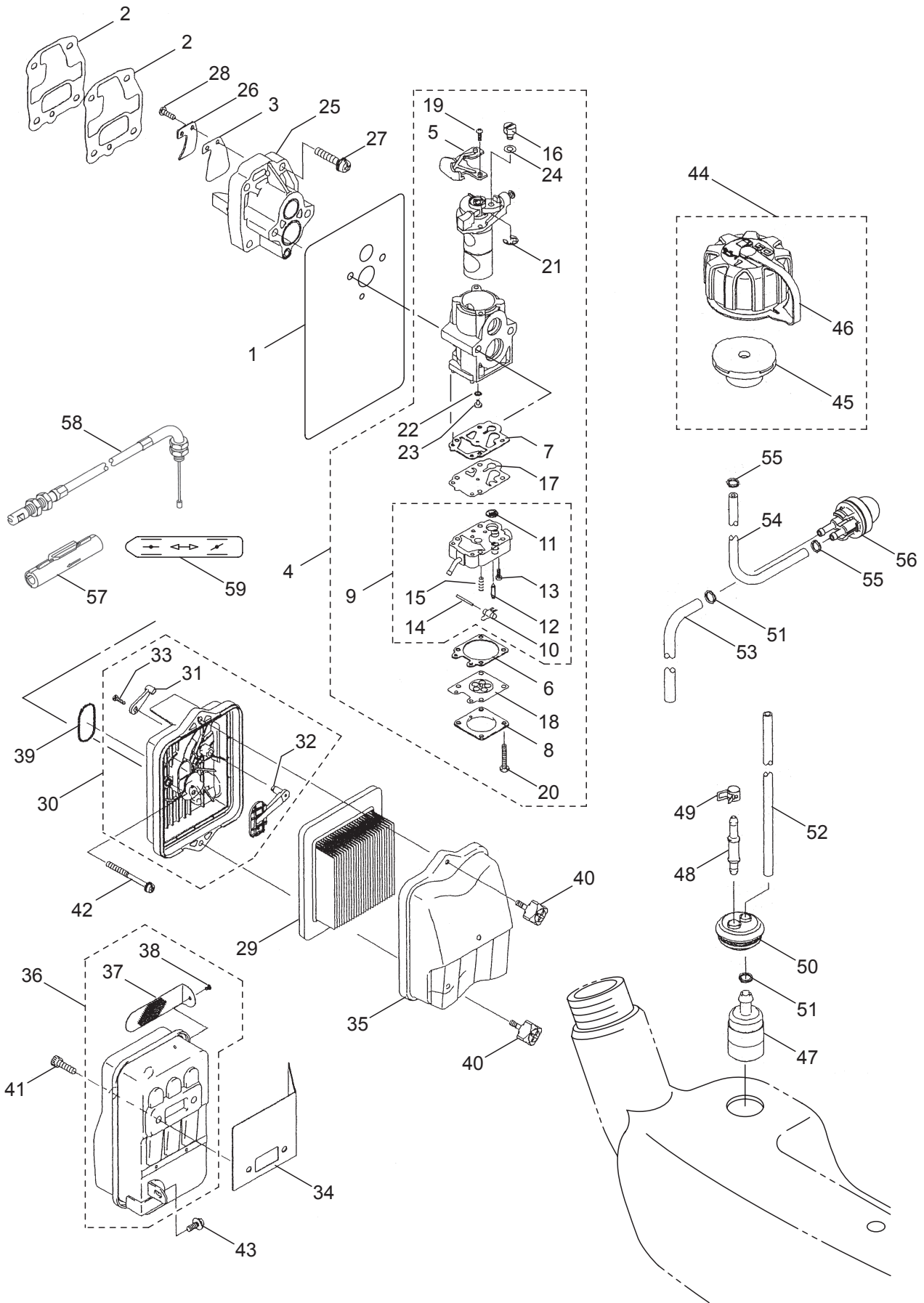
2. M-820BL  
ENGINE (CYLINDER, CRANKCASE)





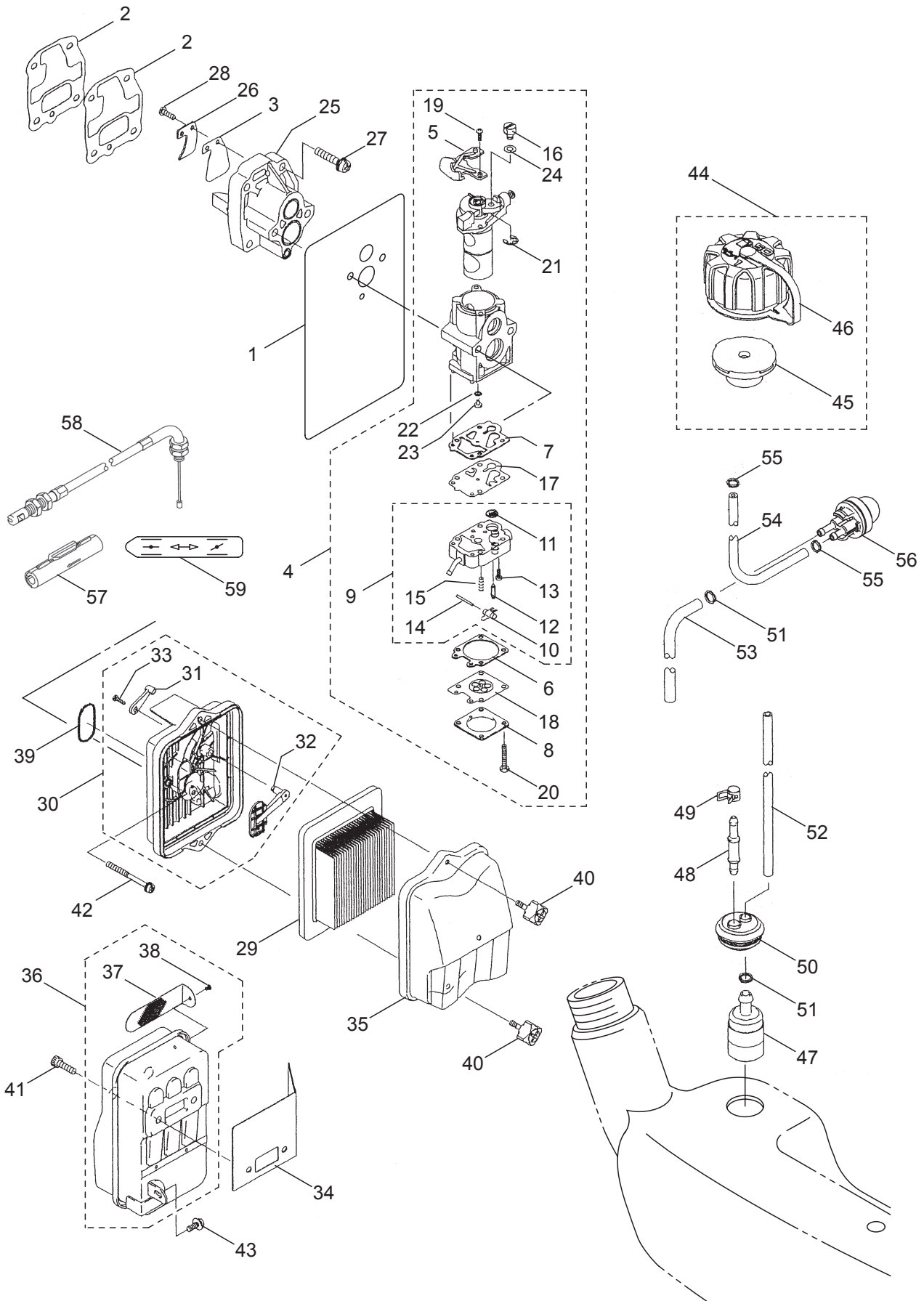
| Ref. No. | Part No. | Part Name | Q'ty | Remarks |            |
|----------|----------|-----------|------|---------|------------|
| 2-46     | 624845   | Screw     | 4    | M4x16   | 92009-2386 |
| 2-47     | 649381   | Nut       | 1    |         | 92210-2094 |

### 3. M-820BL ENGINE (CARBURETOR, MUFFLER)



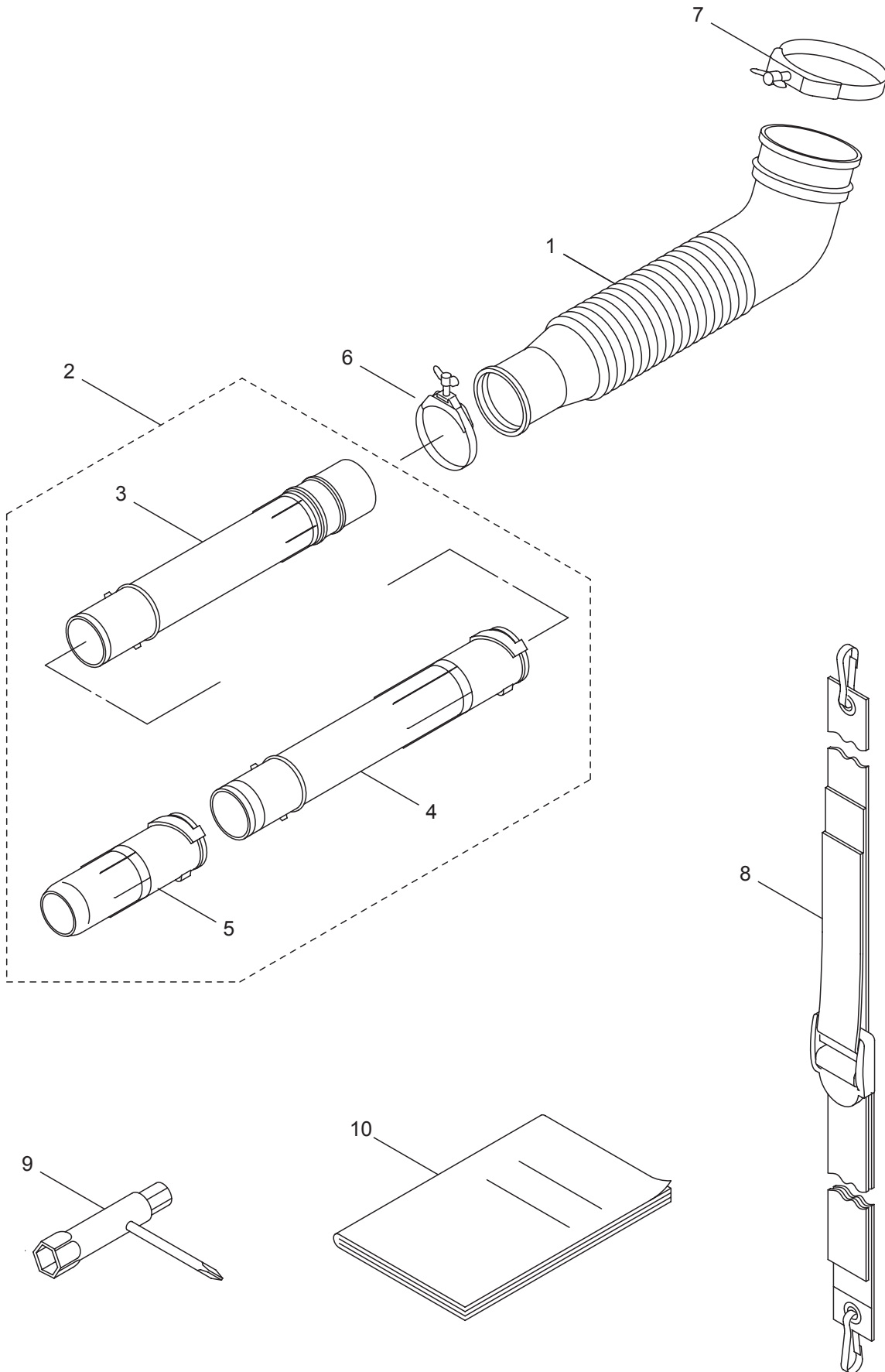
| Ref. No. | Part No. | Part Name             | Q'ty | Remarks               |
|----------|----------|-----------------------|------|-----------------------|
| 3-1      | 412446   | Gasket                | 1    | 11061-2183            |
| 3-2      | 400925   | Gasket                | 2    | 11061-2163            |
| 3-3      | 649342   | Reed Valve            | 1    | 12022-2059            |
| 3-4      | 649344   | Carburetor Ass'y      | 1    | Incl.5-24 15003-2970  |
| 3-5      | 649338   | Bracket               | 1    | 11053-2066            |
| 3-6      | 649339   | Gasket                | 1    | 11060-2456            |
| 3-7      | 634350   | Gasket                | 1    | 11061-2054            |
| 3-8      | 649343   | Cover                 | 1    | 14025-2157            |
| 3-9      | 649346   | Body                  | 1    | Incl.10-15 16160-2138 |
| 3-10     | 624429   | Lever                 | 1    | 16055-2051            |
| 3-11     | 624430   | Filter                | 1    | 14043-2051            |
| 3-12     | 624431   | Float Valve           | 1    | 16030-2078            |
| 3-13     | 624432   | Screw                 | 1    | 92009-2336            |
| 3-14     | 624433   | Pin                   | 1    | 92043-2094            |
| 3-15     | 624434   | Spring                | 1    | 92144-2308            |
| 3-16     | 598415   | Arm                   | 1    | 21083-2073            |
| 3-17     | 577185   | Diaphragm             | 1    | 43028-2067            |
| 3-18     | 634357   | Diaphragm             | 1    | 43028-2090            |
| 3-19     | 577179   | Screw                 | 2    | 92009-2277            |
| 3-20     | 649348   | Screw                 | 4    | 92009-2438            |
| 3-21     | 577175   | Snap Ring             | 1    | 92033-2078            |
| 3-22     | 577182   | O-Ring                | 1    | 92055-2147            |
| 3-23     | 649349   | Main Jet              | 1    | #55.5 92063-2461      |
| 3-24     | 624532   | Washer                | 1    | 92200-2074            |
| 3-25     | 400926   | Insulator             | 1    | 16073-2234            |
| 3-26     | 649347   | Stopper               | 1    | 32085-2105            |
| 3-27     | 577361   | Screw                 | 4    | M5x25 92009-2235      |
| 3-28     | 649350   | Screw                 | 1    | M3x12 92172-2091      |
| 3-29     | 649351   | Element Ass'y         | 1    | 11029-2021            |
| 3-30     | 415372   | Air Filter Case Ass'y | 1    | Incl.31-33 11038-2097 |
| 3-31     | 649355   | Lever                 | 1    | 13168-2493            |
| 3-32     | 649356   | Valve                 | 1    | 16126-2240            |
| 3-33     | 649358   | Screw                 | 1    | M3x10 92009-2359      |
| 3-34     | 649353   | Gasket                | 1    | 11061-2159            |
| 3-35     | 649354   | Cap                   | 1    | 11065-2116            |
| 3-36     | 415373   | Muffler Ass'y         | 1    | Incl.37,38 49069-2446 |
| 3-37     | 400927   | Spark Arrester        | 1    | 18077-2131            |
| 3-38     | 400918   | Screw                 | 1    | 92009-2411            |
| 3-39     | 649359   | O-Ring                | 1    | 92055-2205            |
| 3-40     | 649360   | Bolt                  | 2    | M5x18 92153-2107      |
| 3-41     | 414450   | Bolt-Socket           | 2    | 6x20 120CB0620        |
| 3-42     | 414451   | Screw                 | 2    | 5x55 234AA0555        |
| 3-43     | 414452   | Screw                 | 1    | 5x14 242AA0514        |
| 3-44     | 414453   | Fuel Tank Cap Ass'y   | 1    | Incl.45,46 99996-6089 |
| 3-45     | 649362   | Breather              | 1    | 14069-2088            |

### 3. M-820BL ENGINE (CARBURETOR, MUFFLER)



| Ref. No. | Part No. | Part Name         | Q'ty | Remarks                |
|----------|----------|-------------------|------|------------------------|
| 3-46     | 649364   | Tank Cap Ass'y    | 1    | 51048-2083             |
| 3-47     | 625872   | Fuel Filter       | 1    | 49019-2085             |
| 3-48     | 632199   | Joint             | 1    | 59071-2132             |
| 3-49     | 944177   | Clamp             | 1    | 92037-2139             |
| 3-50     | 597949   | Fuel Tank Grommet | 1    | 92071-2142             |
| 3-51     | 649366   | Clamp             | 2    | 92171-2073             |
| 3-52     | 649369   | Tube              | 1    | 3x5x305<br>92192-2088  |
| 3-53     | 415375   | Tube              | 1    | 3x6x145<br>92192-2205  |
| 3-54     | 649368   | Tube              | 1    | 2.3x5x93<br>92192-2086 |
| 3-55     | 649365   | Clamp             | 2    | 92170-2110             |
| 3-56     | 415374   | Priming Pump      | 1    | 49043-2074             |
| 3-57     | 212250   | Joint Case        | 1    | 32099-2326             |
| 3-58     | 649337   | Throttle Cable    | 1    | 54012-2629             |
| 3-59     | 598438   | Label             | 1    | 56031-2468             |

4. M-820BL  
ACCESSORIES



| Ref. No. | Part No. | Part Name          | Q'ty | Remarks  |
|----------|----------|--------------------|------|----------|
| 4-1      | 123413   | Flexible Pipe      | 1    |          |
| 4-2      | 125145   | Pipe Ass'y         | 1    | Incl.3-5 |
| 4-3      | 122395   | Swivel Pipe        | 1    |          |
| 4-4      | 122400   | Straight Pipe      | 1    | 370L     |
| 4-5      | 125146   | Cone Pipe          | 1    |          |
| 4-6      | 128188   | Clamp Ass'y        | 1    | #85      |
| 4-7      | 128189   | Clamp Ass'y        | 1    | #105     |
| 4-8      | 125439   | Hip Belt Ass'y     | 1    |          |
| 4-9      | 127099   | Box Spanner        | 1    |          |
| 4-10     | 130400   | Instruction Manual | 1    | M-820BL  |