

# PARTS LIST

H23D

## CONTENTS

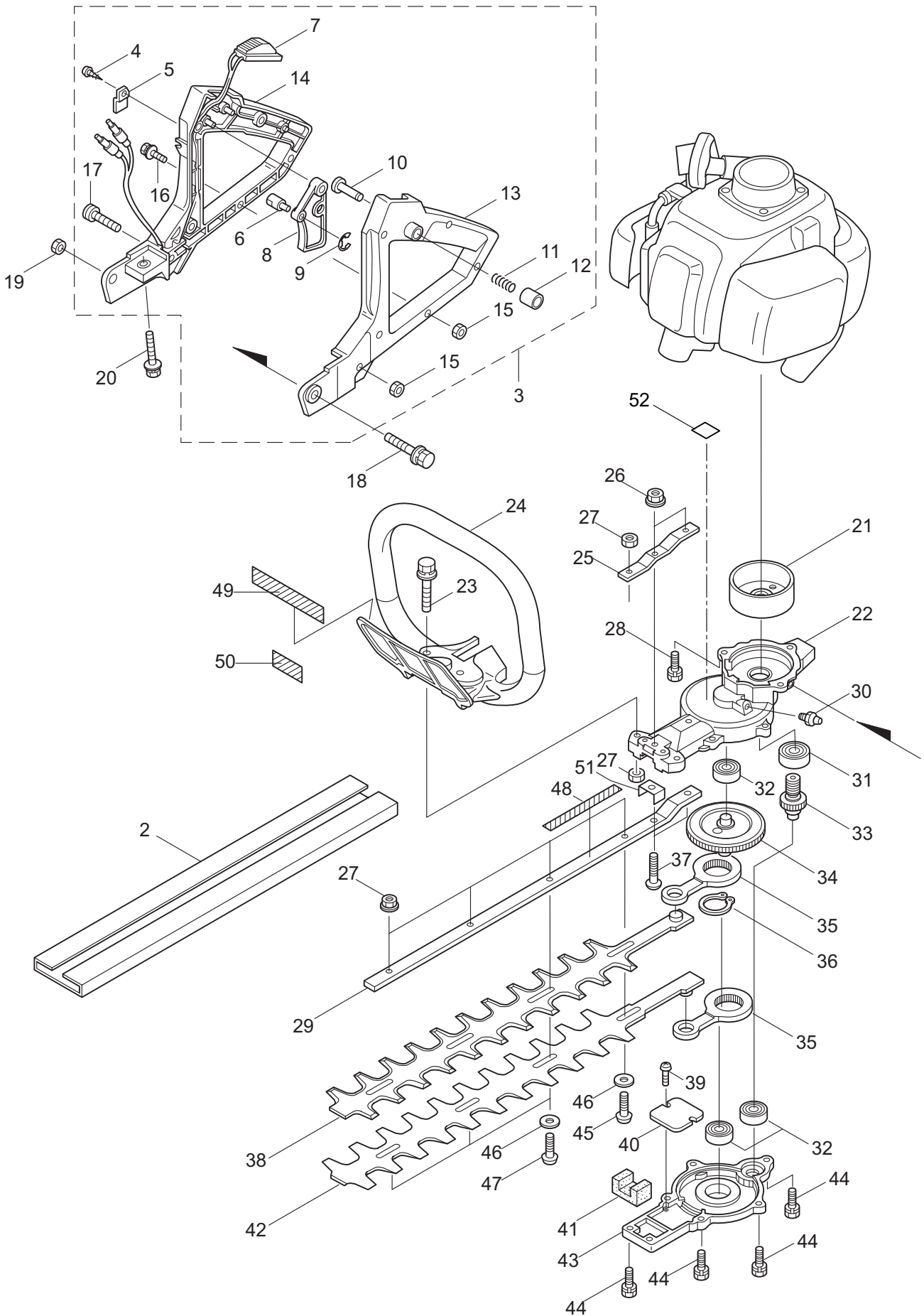
1. MAIN BODY .....	1 ~ 4
2. ENGINE .....	5 ~ 8
3. CARBURETOR, FUEL TANK .....	9 ~ 10
4. ACCESSORIES .....	11 ~ 12

2014. 08.



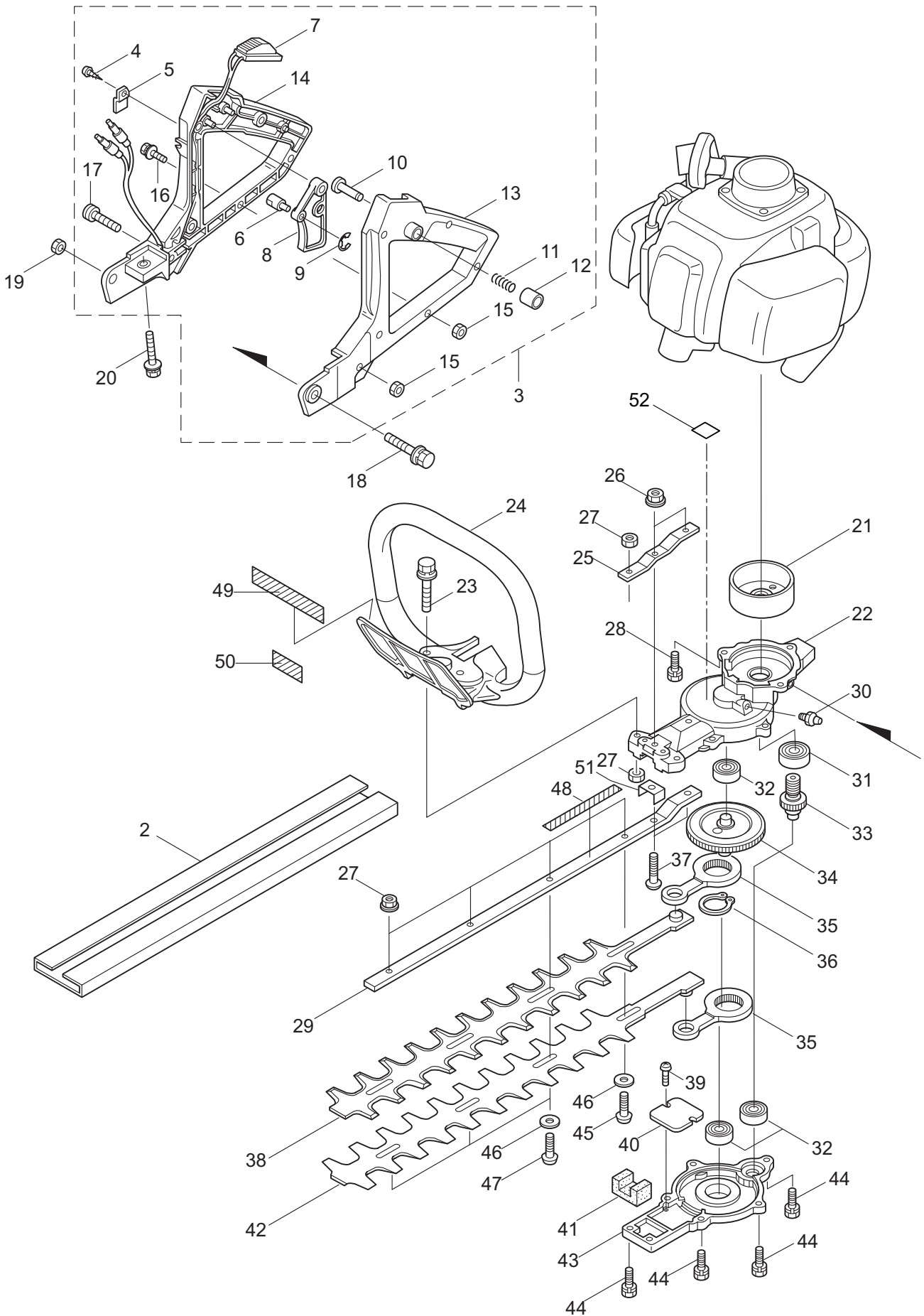
P/N 523872

1. H23D  
MAIN BODY



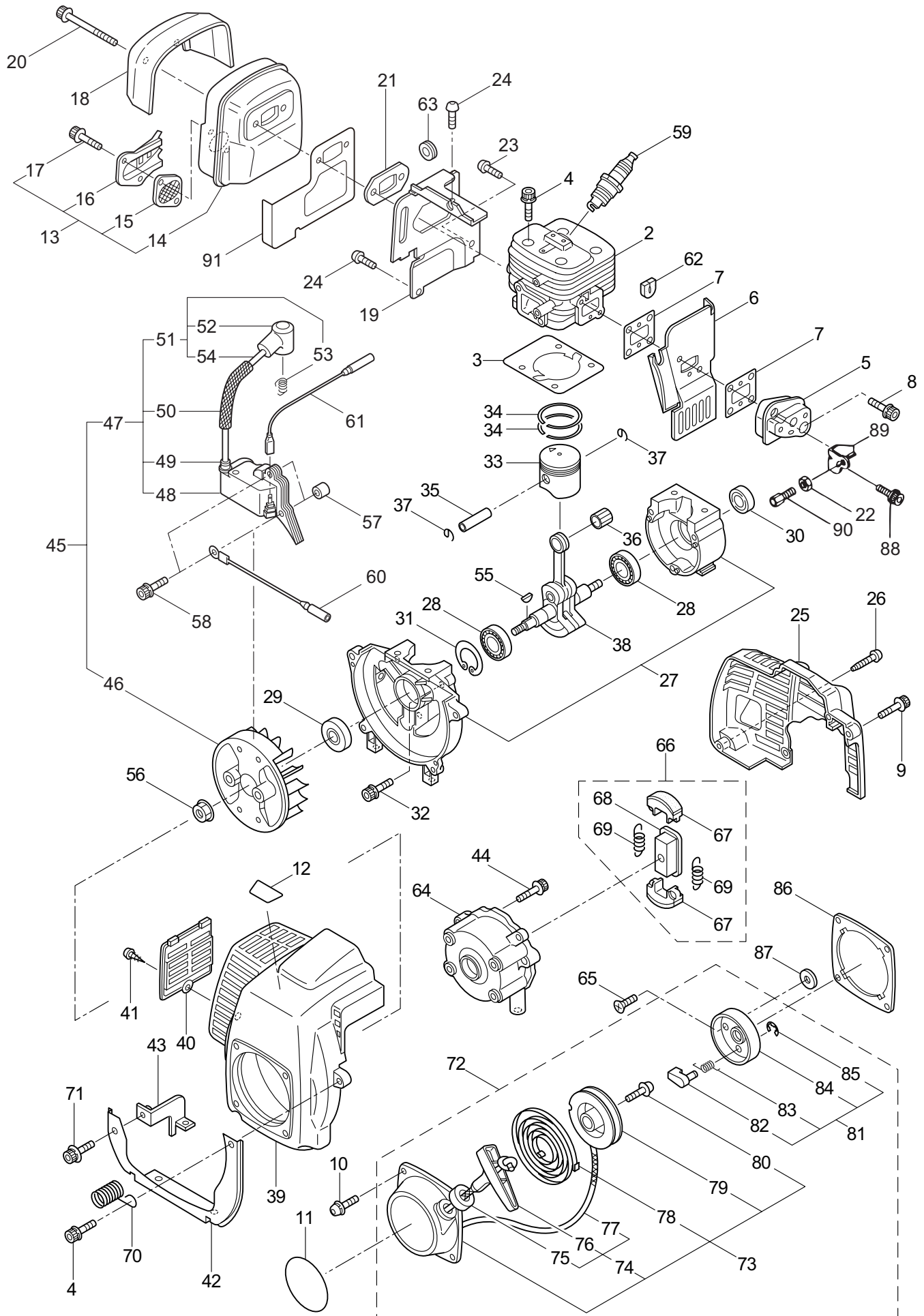
Ref. No.	Part No.	Part Name	Q'ty	Remarks
1-1	362380	H23D	1	
1-2	217677	Cover of Blade	1	
1-3	270568	Rear Handle Ass'y	1	Incl.4-17
1-4	997258	Screw	1	M4x10
1-5	997259	Holder,Cable	1	
1-6	997260	Swivel	1	
1-7	270569	Switch,Stop	1	
1-8	997262	Lever,Throttle	1	
1-9	997263	E-Ring	1	#2.5
1-10	997264	Pin,Lever	1	
1-11	997265	Spring	1	
1-12	997266	Fixing Knob	1	
1-13	270147	Rear Handle (L)	1	
1-14	270099	Rear Handle (R)	1	
1-15	270233	U-Nut	6	M4
1-16	997268	Screw	5	M4x16
1-17	997269	Screw	1	M4x30
1-18	270119	Bolt	1	M6x50
1-19	997253	Nut	1	M6
1-20	270120	Bolt	1	M6x40
1-21	270021	Drum	1	
1-22	270760	Upper Case	1	
1-23	270029	Bolt	2	M6x35
1-24	582441	Front Handle	1	
1-25	270759	Reinforcing Plate	1	
1-26	127226	Nut	2	M5
1-27	991941	U-Nut	6	M6
1-28	270030	Bolt	2	M6x20
1-29	581912	Guide Plate	1	
1-30	991937	Grease Nipple	1	M6
1-31	580767	Bearing	1	#6001 2RS
1-32	270423	Bearing	3	
1-33	584666	Pinion	1	
1-34	591443	Crank Comp	1	
1-35	271466	Rod	2	
1-36	580777	Snap Ring	1	#26
1-37	991931	Screw	2	M5x20
1-38	570687	Upper Blade	1	
1-39	991924	Screw	2	M3x5
1-40	991919	Plate,Rod Slide	1	
1-41	270758	Felt	1	
1-42	570688	Lower Blade	1	
1-43	270756	Lower Case	1	
1-44	580791	Bolt	7	M5x16
1-45	991912	Screw	1	

1. H23D  
MAIN BODY



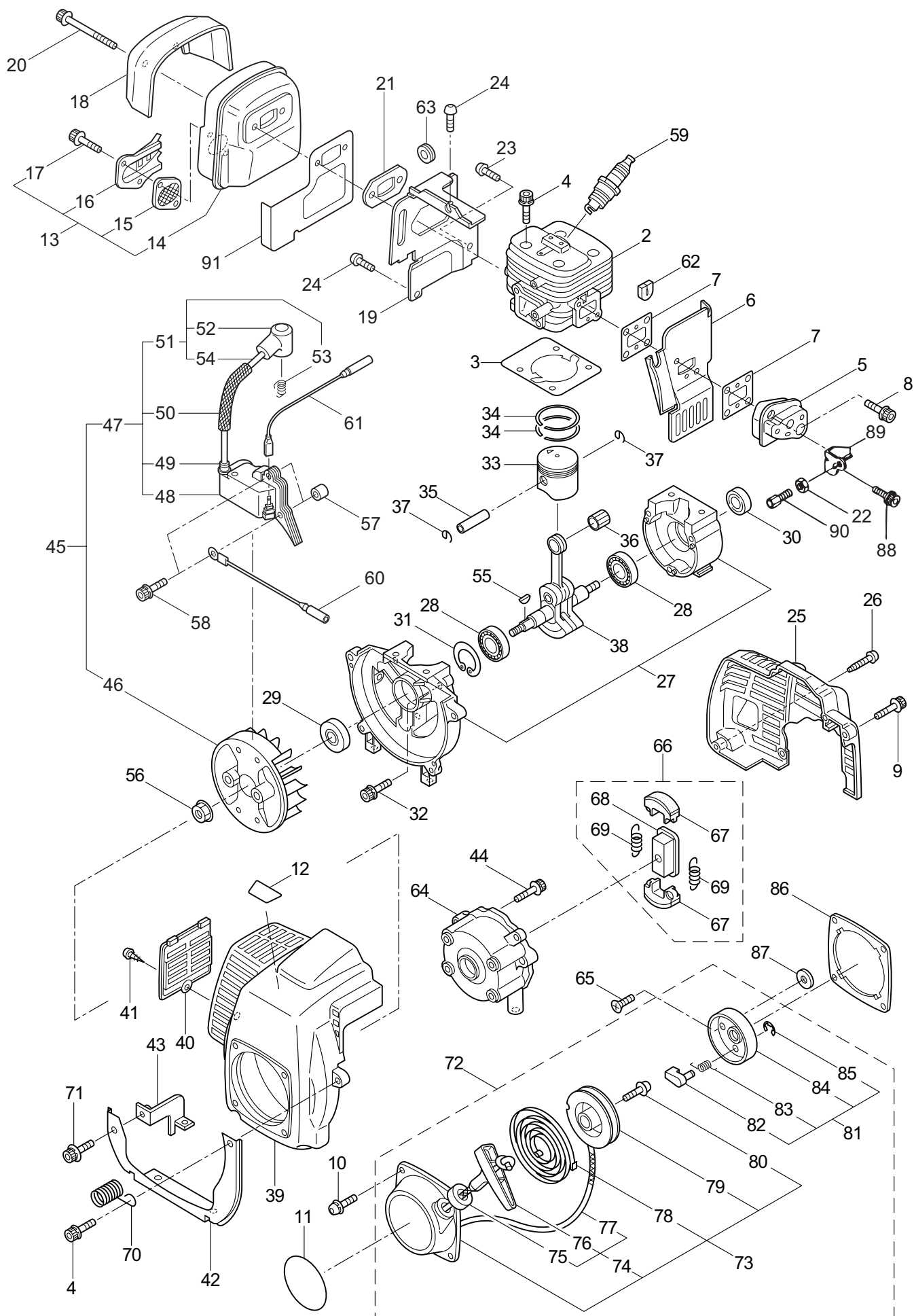
Ref. No.	Part No.	Part Name	Q'ty	Remarks
1-46	991913	Washer	4	
1-47	991914	Screw	3	
1-48	591450	Label	1	
1-49	591449	Label	1	
1-50	223925	Label	1	Grease up
1-51	270757	Plate	1	
1-52	266960	Label	1	

## 2. H23D ENGINE



Ref. No.	Part No.	Part Name	Q'ty	Remarks
2-1	859426	Engine	1	CE230/104
2-2	288499	Cylinder	1	
2-3	286074	Gasket	1	
2-4	261250	Cap Screw	8	M5x20
2-5	267924	Insulator	1	New gasket required
2-6	268014	Air Duct	1	
2-7	261171	Gasket	2	
2-8	265924	Cap Screw	1	M5x25
2-9	265107	Cap Screw	2	M4x10
2-10	286993	Cap Screw	4	M5x16
2-11	273361	Label	1	H23D
2-12	273370	Label	1	H23D
2-13	268016	Muffler Ass'y	1	Incl.14-17
2-14	268017	Muffler	1	
2-15	267056	Spark Arrester	1	
2-16	268171	Muffler Tail	1	
2-17	265107	Cap Screw	2	M4x10
2-18	268461	Holder	1	
2-19	285650	Plate	1	
2-20	266402	Cap Screw	2	M5x55
2-21	268019	Gasket	1	
2-22	261878	Nut	1	
2-23	265107	Cap Screw	1	M4x10
2-24	268195	Cap Screw	2	M5x10
2-25	268580	Cylinder Cover	1	
2-26	266000	Tapping Screw	2	
2-27	268576	Crankcase	1	
2-28	280488	Bearing	2	PPL 6001
2-29	261492	Oil Seal	1	ISCD12287
2-30	261386	Oil Seal	1	ISCD12227
2-31	055185	Snap Ring	1	#28
2-32	261246	Cap Screw	3	M5x25
2-33	283379	Piston	1	
2-34	282177	Piston Ring	2	
2-35	261036	Piston Pin	1	
2-36	263957	Bearing, Needle	1	KTV81112EG01 B2
2-37	261576	Clip,Piston	2	
2-38	268585	Crankshaft/Conn.Rod Ass'y	1	
2-39	268474	Fan Cover	1	
2-40	268388	Cover	1	
2-41	268390	Tapping Screw	1	4x14
2-42	268590	Plate	1	
2-43	268591	Stay	1	
2-44	261607	Cap Screw	4	M5x16
2-45	272892	Magneto Ass'y	1	Incl.46-54

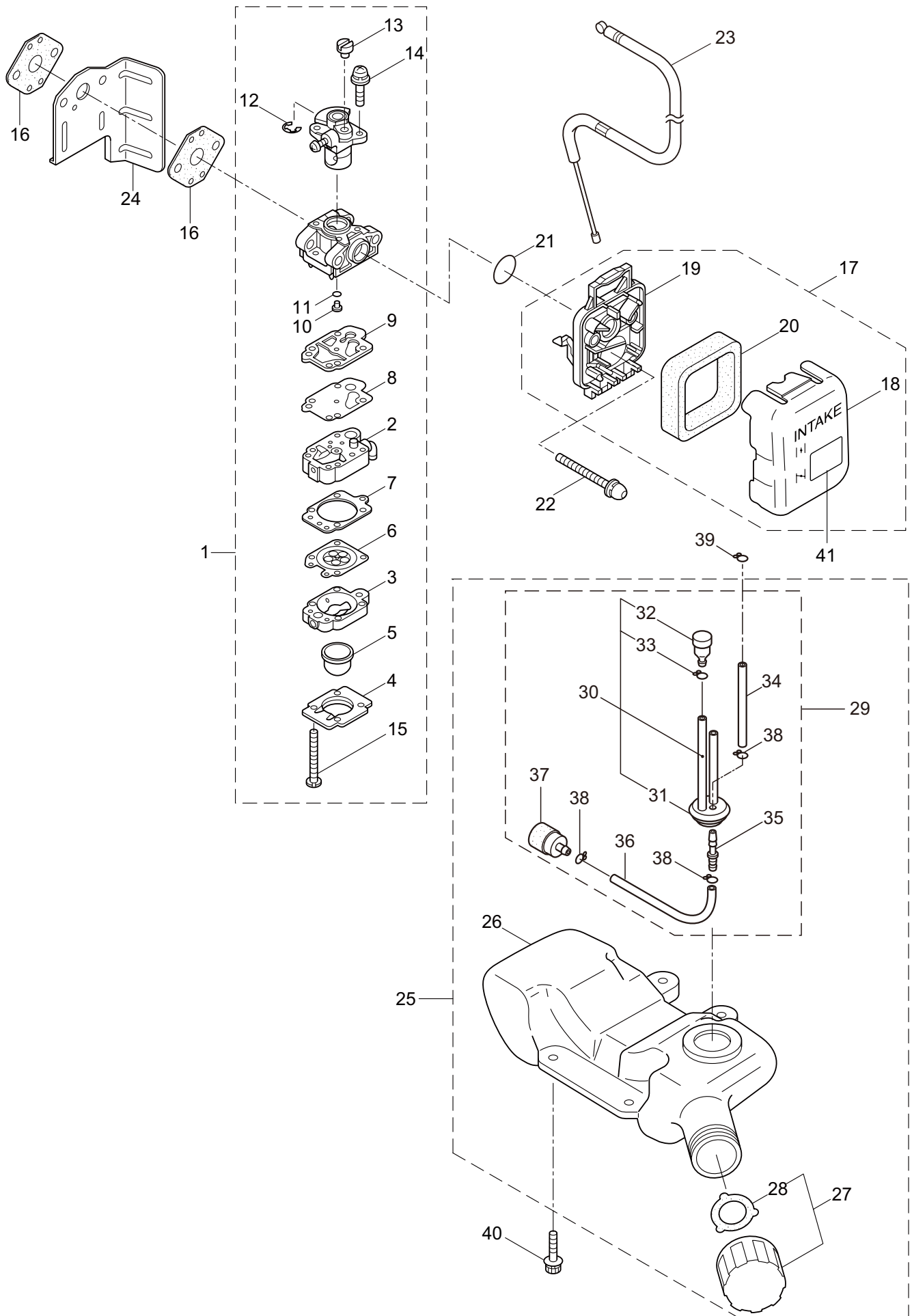
## 2. H23D ENGINE





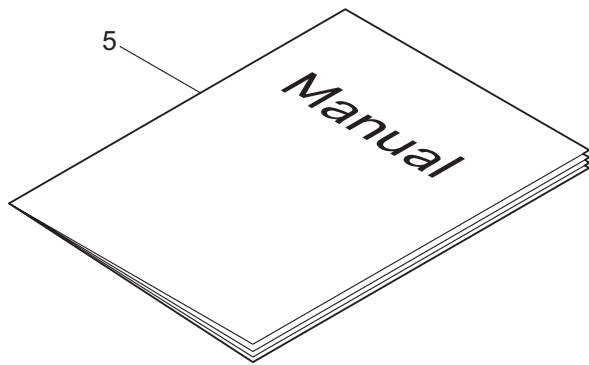
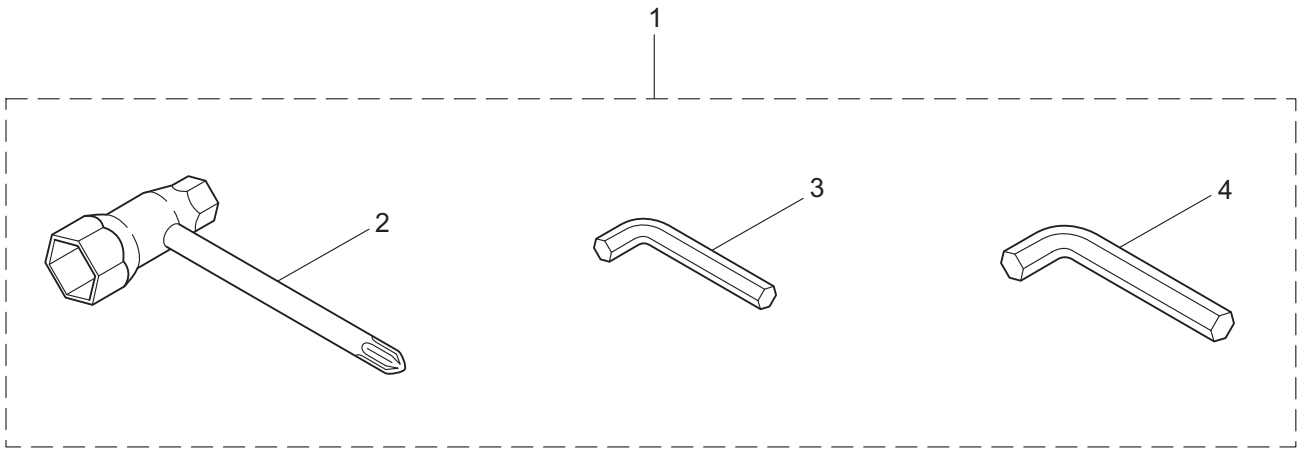
Ref. No.	Part No.	Part Name	Q'ty	Remarks
2-46	286271	Rotor/Fan	1	
2-47	287266	Ignition Coil Ass'y	1	Incl.48-54
2-48	287269	Coil	1	
2-49	261072	Cap	1	
2-50	287351	Insulator	1	
2-51	287352	Spark Plug Wire Ass'y	1	Incl.52-54
2-52	261074	Plug Boot	1	
2-53	261075	Connector	1	
2-54	287353	Spark Plug Wire	1	
2-55	261076	Woodruff Key	1	3x10
2-56	261417	Nut,Rotor	1	M8
2-57	280381	Spacer	2	
2-58	261256	Cap Screw	2	M4x25
2-59	285982	Spark Plug	1	NGK BPM8Y
2-60	268932	Lead	1	
2-61	287262	Lead	1	
2-62	261202	Grommet	1	
2-63	268036	Grommet	1	
2-64	268581	Clutch Case	1	
2-65	264535	Screw	2	M6x20
2-66	280404	Clutch Ass'y	1	Incl.67-69
2-67	280568	Clutch Shoe	2	(2)required
2-68	280569	Clutch Boss	1	
2-69	280570	Spring	2	(2)required
2-70	268592	Clamp	1	
2-71	268940	Screw	1	M5x18
2-72	268668	Recoil Starter Ass'y	1	Incl.73-85
2-73	268669	Starter Ass'y	1	Incl.74-80
2-74	268813	Rope Ass'y	1	Incl.75-77
2-75	268670	Damper	1	
2-76	267219	Starter Grip	1	
2-77	281817	Starter Rope	1	
2-78	261622	Spiral Spring	1	
2-79	261621	Pulley	1	
2-80	262922	Screw	1	
2-81	264085	Starter Pawl Ass'y	1	Incl.82-85
2-82	261630	Pawl	1	
2-83	261631	Return Spring	1	
2-84	264086	Pawl Case	1	
2-85	020299	E-Ring	1	#4
2-86	268671	Plate	1	
2-87	261189	Washer	2	6x16.5xt1.2
2-88	265925	Cap Screw	1	M5x25
2-89	268593	Stay	1	
2-90	264736	Adapter	1	
2-91	285482	Gasket	1	

### 3. H23D CARBURETOR, FUEL TANK



Ref. No.	Part No.	Part Name	Q'ty	Remarks
3-1	287070	Carburetor Ass'y	1	Incl.2-15 New gasket required
3-2	268499	Pump Body	1	
3-3	262991	Purge Body	1	
3-4	262992	Cover Plate	1	
3-5	261874	Primer Bulb	1	
3-6	283905	Diaphragm, Meterring	1	
3-7	262993	Gasket	1	
3-8	262994	Diaphragm,Fuel Pump	1	
3-9	282576	Gasket	1	
3-10	288187	Main Jet	1	
3-11	261871	O-Ring	1	
3-12	261876	E-Ring	1	
3-13	261658	Swivel	1	
3-14	264682	Screw	2	
3-15	262996	Screw	4	
3-16	261864	Gasket	2	
3-17	266420	Cleaner Ass'y	1	Incl.18-20
3-18	264709	Cover	1	
3-19	266433	Housing	1	
3-20	264695	Filter	1	
3-21	264691	O-Ring	1	
3-22	264016	Cap Screw	2	M5x60
3-23	264604	Cable Comp	1	
3-24	268951	Baffle Plate	1	
3-25	289025	Fuel Tank Ass'y	1	Incl.26-38
3-26	284421	Fuel Tank	1	
3-27	289044	Fuel Tank Cap Ass'y	1	Incl.28
3-28	289045	Gasket	1	
3-29	289026	Fuel Pipe Pick-up Ass'y	1	Incl.30-38
3-30	289027	Fuel Pipe Ass'y	1	Incl.31-33
3-31	268065	Grommet	1	
3-32	261590	Breather	1	
3-33	261117	Clip	1	
3-34	289028	Pipe A	1	3x5x53L
3-35	288921	Joint	1	
3-36	289029	Pipe	1	3x5x125L
3-37	264653	Filter Ass'y	1	
3-38	261117	Clip	3	
3-39	261117	Clip	1	
3-40	268940	Screw	4	M5x18
3-41	285188	Label	1	

4. H23D  
ACCESSORIES



Ref. No.	Part No.	Part Name	Q'ty	Remarks
4-1	264606	Tool Set	1	Incl.2-4
4-2	264607	Box Spanner	1	10x19x(+)
4-3	219431	Wrench	1	3mm
4-4	219432	Wrench	1	4mm
4-5	273356	Instruction Manual	1	H23D/H23DL